

LINSY 林氏家居

安装示意图/Assembly Instruction

产品名称 Model NO.	PC586-A#	排骨架规格 Ranked bed slat specifications (1960*1440)
产品规格 Specification	1500*2000	
尺寸组合 Combined size	2210*1550*1100mm	

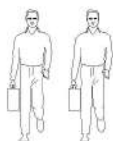
配件表/Accessories List

部件表/Parts List

编号 NO.	名称 Name	图示 Icon	数量 QTY	编号 NO.	名称 Name	规格 Specification	数量 QTY	材质 material
A	说明书(含安装图) Mounting Instruction (with drawing)		1	①	床头 The head of a bed	1550*280*1100	1	松木+胶合板+海绵+真皮+人造皮 Pine wood + Glued board + sponge + Dermis + Artificial leather
B	M8*20斜边十字螺杆 M8*20 bevel cross bolt		36	②	床侧 Side of the bed	1990*80*150	2	胶合板+海绵+人造皮 Glued board + sponge + Artificial leather
C	M8垫片 MS pad		36	③	床尾 The end of the bed	1530*40*150	1	松木+胶合板+海绵+人造皮 Pine wood + Glued board + sponge + Artificial leather
D	角码-(52*52*76mm)磨砂黑角码 Corner code-(52*52*76mm)matte black corner code		4	④	实木条形排骨架 Solid wood bed slat	1960*1440	1	松木 Pine wood
E	角码-(182*182*41mm)磨砂黑角码 Corner code-(182*182*41mm)matte black corner code		4	实木条形排骨架配套配件 wood strip frame supporting accessories				
F	脚-(130*130*146mm)五金脚 Feet-(130*130*146mm) Hardware feet		2					
G	M5*30自攻螺丝 M5*30 self tapping screw		4	M4*30自攻螺丝=48 M4*30 self tapping screw=48				
H	M8*70斜边十字螺杆 M8*70 bevel cross bolt		2	200MM排骨架实木中脚-01 (含M8*15锤母) 200MM solid wood midfoot for slat-01 (including M8*15 hammer head)				
I	200MM排骨架实木中脚-01 (含M8*15锤母)		2					
J	五金件-(290*48*184mm)枪黑色床垫防滑钩 Hardware-(290*48*184mm) Gun black mattress non-slip hook		1	五金件-(290*48*184mm)枪黑色床垫防滑钩 Hardware-(290*48*184mm) Gun black mattress non-slip hook				
K	排骨架加固条002A1(1975*48*38mm) reinforcement bar for side slat002A1(1975*48*38mm)		1	排骨架加固条002A1(1975*48*38mm) reinforcement bar for side slat002A1(1975*48*38mm)				
L	角码-(30*30*16mm)L型 Angle code-(30*30*16mm)L type		2	角码-(30*30*16mm)L型 Angle code-(30*30*16mm)L type				
M	M4*16自攻螺丝 M4*16 self tapping screw		4	M4*16自攻螺丝 M4*16 self tapping screw				
N	M4*40自攻螺丝 M4*40 self tapping screw		2	M4*40自攻螺丝 M4*40 self tapping screw				
O	M8外六角螺母 M8 external hexagon nut		2	M8外六角螺母 M8 external hexagon nut				
P	14MM开口扳手 (14mm)wrench		1	14MM开口扳手 (14mm)wrench				

制图 Draw 罗成义 Page NO. 页码(3-1)

安装工具 Tool 安装人数 Installer

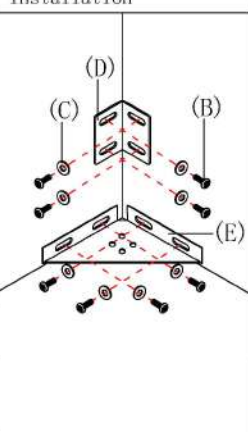


如何区分床的左右方向?
How to distinguish the left and right directions of the bed?



人躺在床上,分左右方向
Lie on the bed, facing left and right
(图示仅供分辨方向用)

图1: 角码安装示意图
Figure 1: Schematic diagram of corner code installation



STEP 1:

图2: 床侧尾脚安装示意图
Figure 2: Diagram for installing the tail foot on the side of the bed

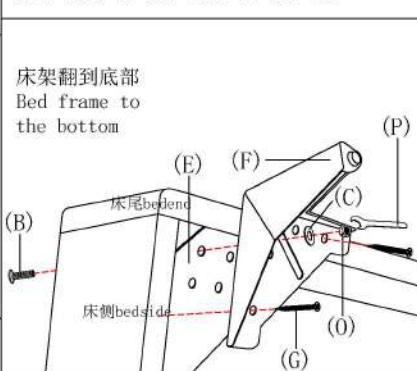
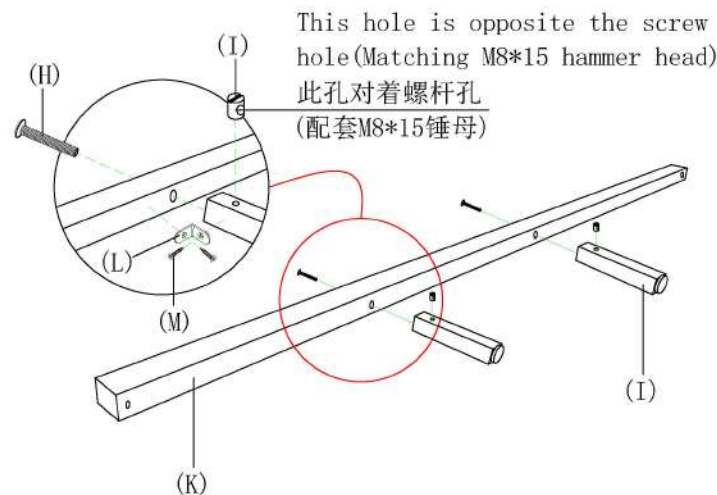
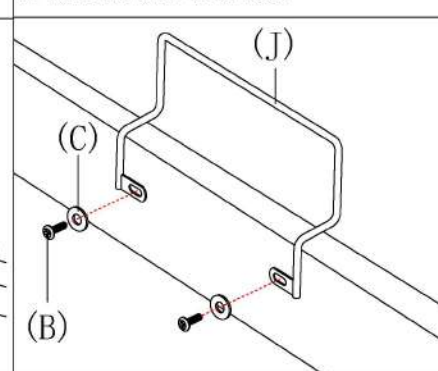
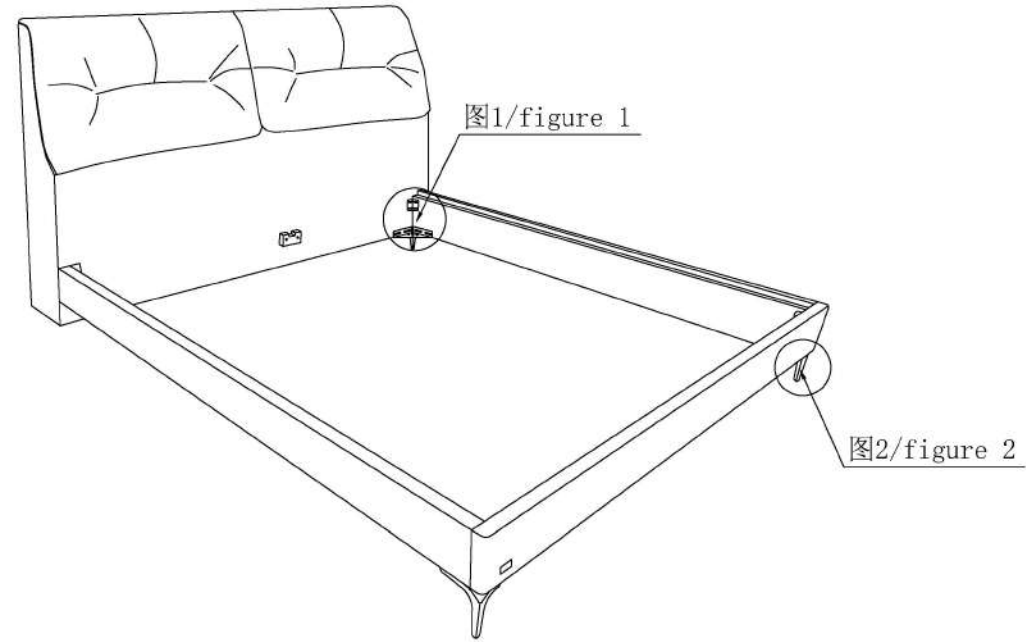


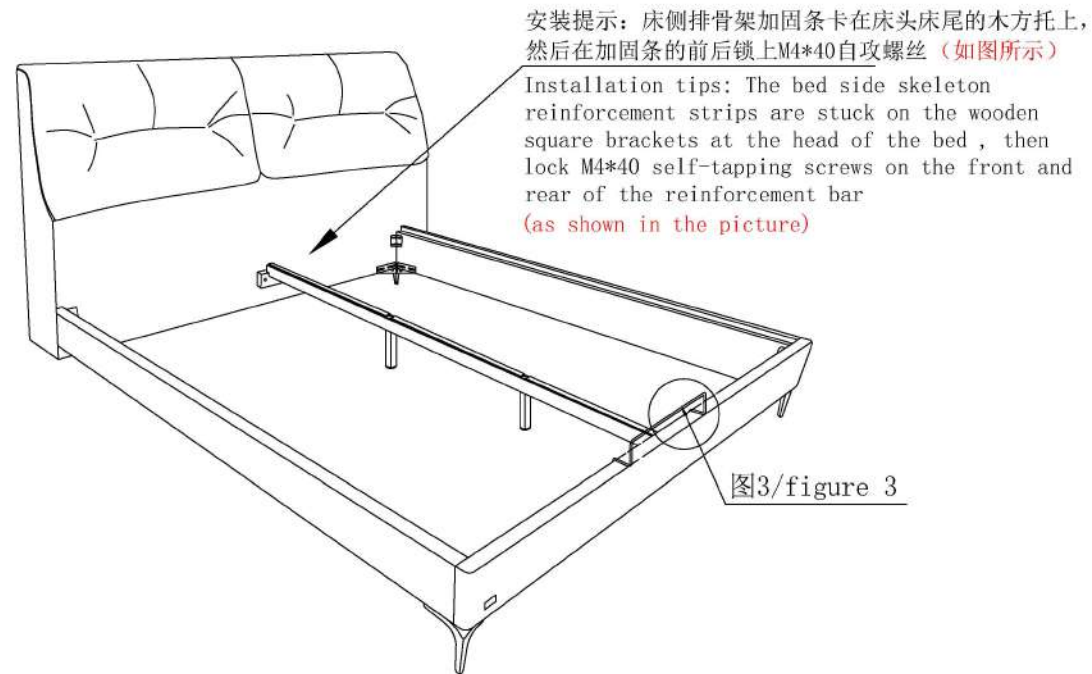
图3: 床垫防滑钩安装示意图
Figure 3: Installation diagram of mattress anti-skid hook



STEP 2:



STEP 3:



STEP 4:



Tips for installation: Solid wood strip skeleton is laid on the bed side skeleton reinforcement strip (as shown in the figure)

安装提示：实木条形排骨架铺上床侧排骨架加固条（如图所示）

注：

- 1、用M4*30自攻螺丝按孔位固定实木条形排骨架。
- 2、实木条形排骨架四角无需用M4*30自攻螺丝固定。
- 3、自攻螺丝固定实木条形排骨架步骤可选装可不装。

Note:

1. Use M4*30 self-tapping screws to fix the solid wood strip row frame according to the hole position.
2. Solid wood strip row frame **four corners without** M4*30 self tapping screws fixed.
3. Self-tapping screws fixed solid wood strip row skeleton steps optional installation.

注意！只允许成人安装，儿童勿近！

Be careful! Adult only, keep away from children!