

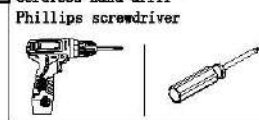
LINSY 林氏家居

安装示意图/Assembly Instruction

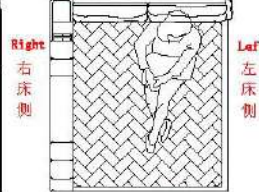
产品名称 Model NO.	PC585-A#	排骨架规格 Ranked bed slat specifications (1740*1960)
产品规格 Specification	1800*2000	
尺寸组合 Combined size	2140*1860*1110mm	

配件表1/Accessories list1

编号 NO.	名称 Name	图示 Icon	数量 QTY
A	说明书(含安装图) Mounting Instruction (with drawing)		1
B	M8*20斜边十字螺杆 M8*20 bevel cross bolt		36
C	M8垫片 M8 pad		36
D	角码-(52*52*76mm)磨砂黑角码 Corner code -(52*52*76mm) Frosted black corner code		4
E	角码-(182*182*41mm)磨砂黑角码 Corner code -(182*182*41mm) Frosted black corner code		4
F	脚-(130*130*146mm)五金脚 Feet -(130*130*146mm) Hardware feet		2
G	M8外六角螺母 M8 external hexagon nut		2
H	14MM开口扳手 (14mm)wrench		1
I	M8*70斜边十字螺杆 M8*70 bevel cross bolt		4
J	200MM排骨架实木中脚-01 (含M8*15螺母) 200MM solid wood midfoot for slat-01(including M8*15 hammer head)		4
K	(290*48*184mm)枪黑色床垫防滑钩 Gun black mattress non-slip hook (290*48*184mm)		1
L	排骨架加固条002A1(1975*48*38mm) reinforcement bar for side slat002A1(1975*48*38mm)		2
M	M5*30自攻螺丝 M5*30 self tapping screw		4
N	角码-(30*30*16mm)L型 Angle code -(30*30*16mm)L type		4
P	M4*16自攻螺丝 M4*16 self tapping screw		8
Q	M4*40自攻螺丝 M4*40 self tapping screw		4



如何区分床的左右方向? How to distinguish the left and right directions of the bed?



人躺在床上,分左右方向
Lia on the bed, facing left and right
(图示仅供分辨方向用)

编号 NO.	名称 Name	规格 Specification	数量 QTY	材质 material
①	床头 The head of a bed	1860*180*1110	1	松木+夹板+海绵+人造皮+真皮 Pine wood + Plywood + Sponge +Artificial leather+Genuine
②	床侧 Side of the bed	1990*80*150	1	夹板+海绵+人造皮 Plywood + Sponge +Artificial leather
③	床尾 The end of the bed	1830*40*150	1	松木+夹板+海绵+人造皮 Pine wood + Plywood + Sponge +Artificial leather
④	实木条形 排骨架 Solid wood bed slat	1740*1960	1	松木 Pine wood

实木条形排骨架配套配件 Solid wood strip frame supporting accessories

M4*30自攻螺丝-64 M4*30 self tapping screw-64	
--	--

制图 Draw	C42	Page NO.页码(3-1)
安装工具 Tool	安装人数 Installer	

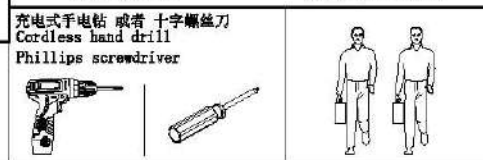


图1: 角码安装示意图
Figure 1: Schematic diagram of
corner code installation

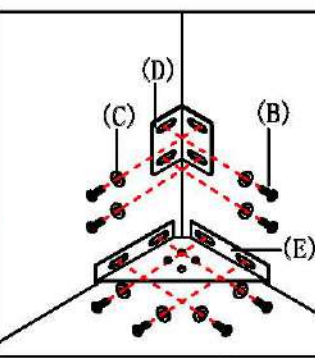


图2: 床侧尾脚安装示意图
Figure 2: Diagram for installing the
tail foot on the side of the bed

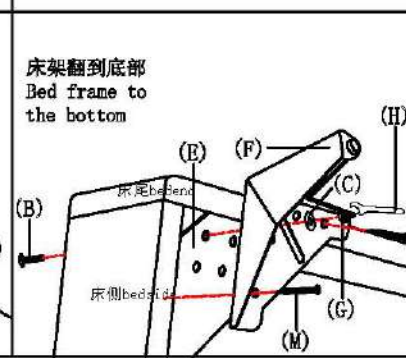
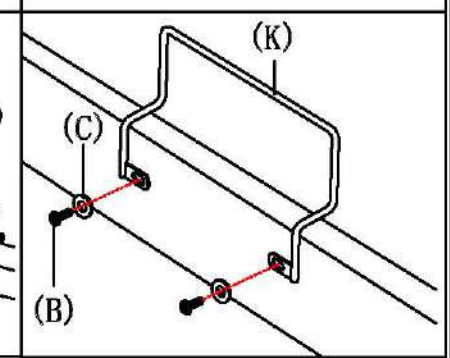
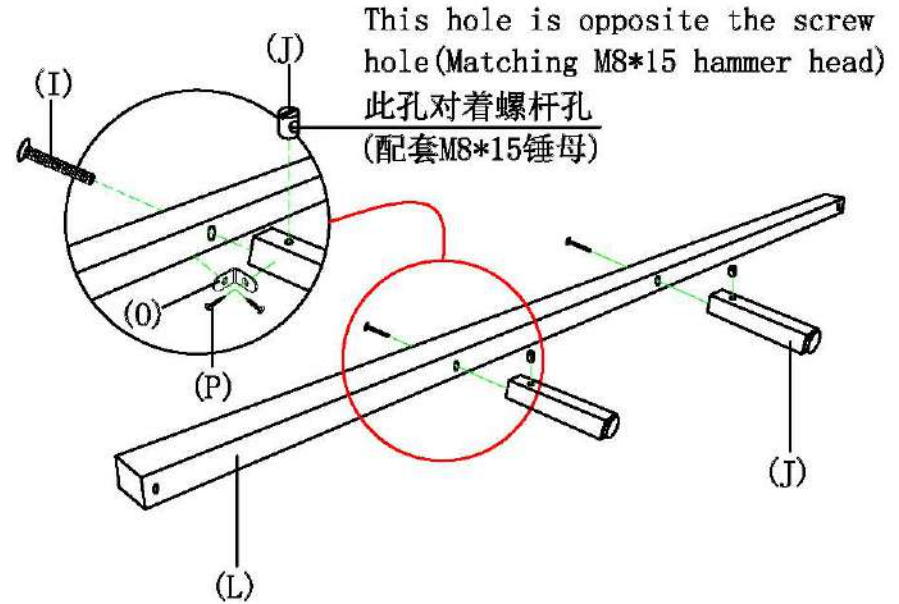


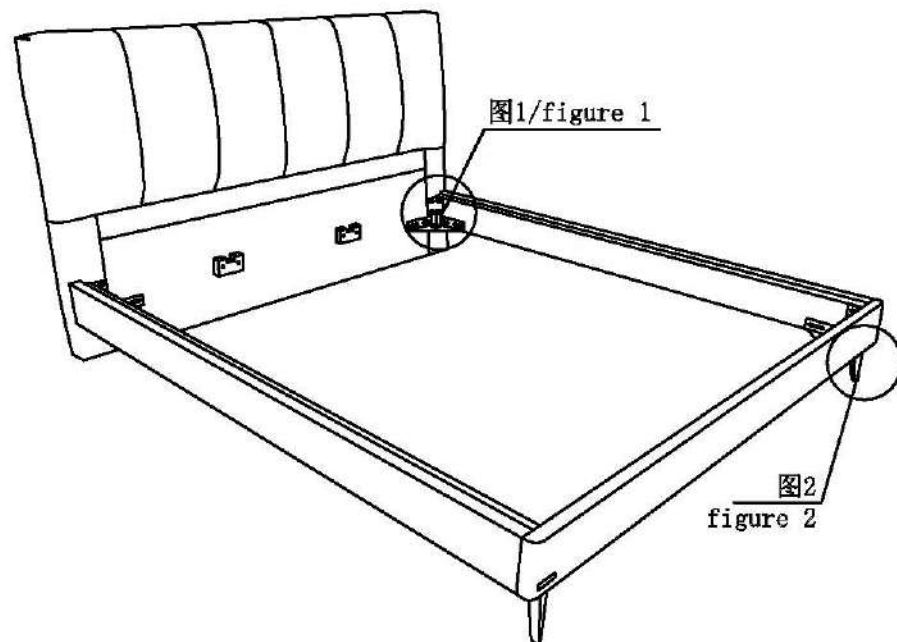
图3: 床垫防滑钩安装示意图
Figure 3: Installation diagram
of mattress anti-skid hook



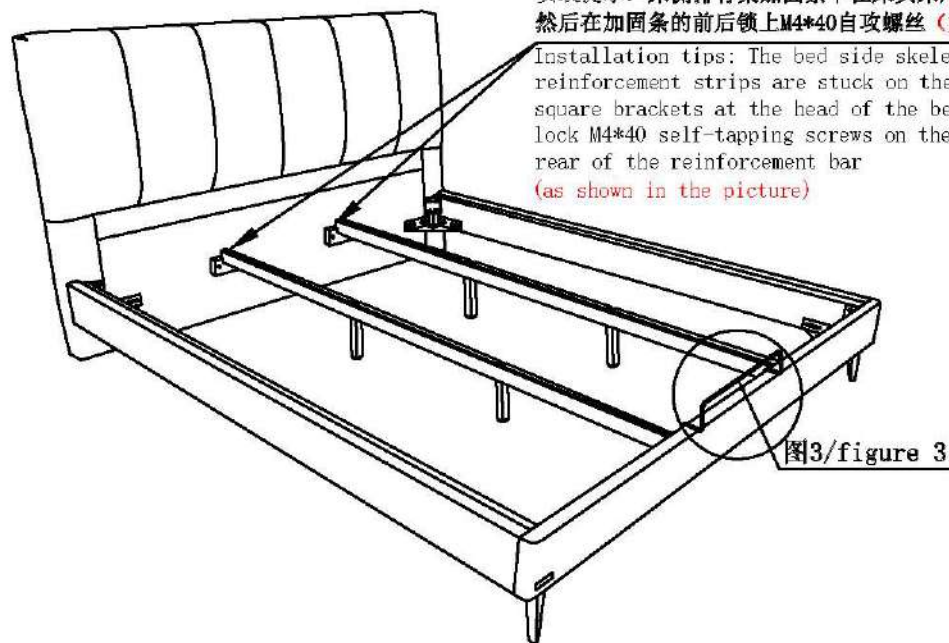
STEP 1:



STEP 2:



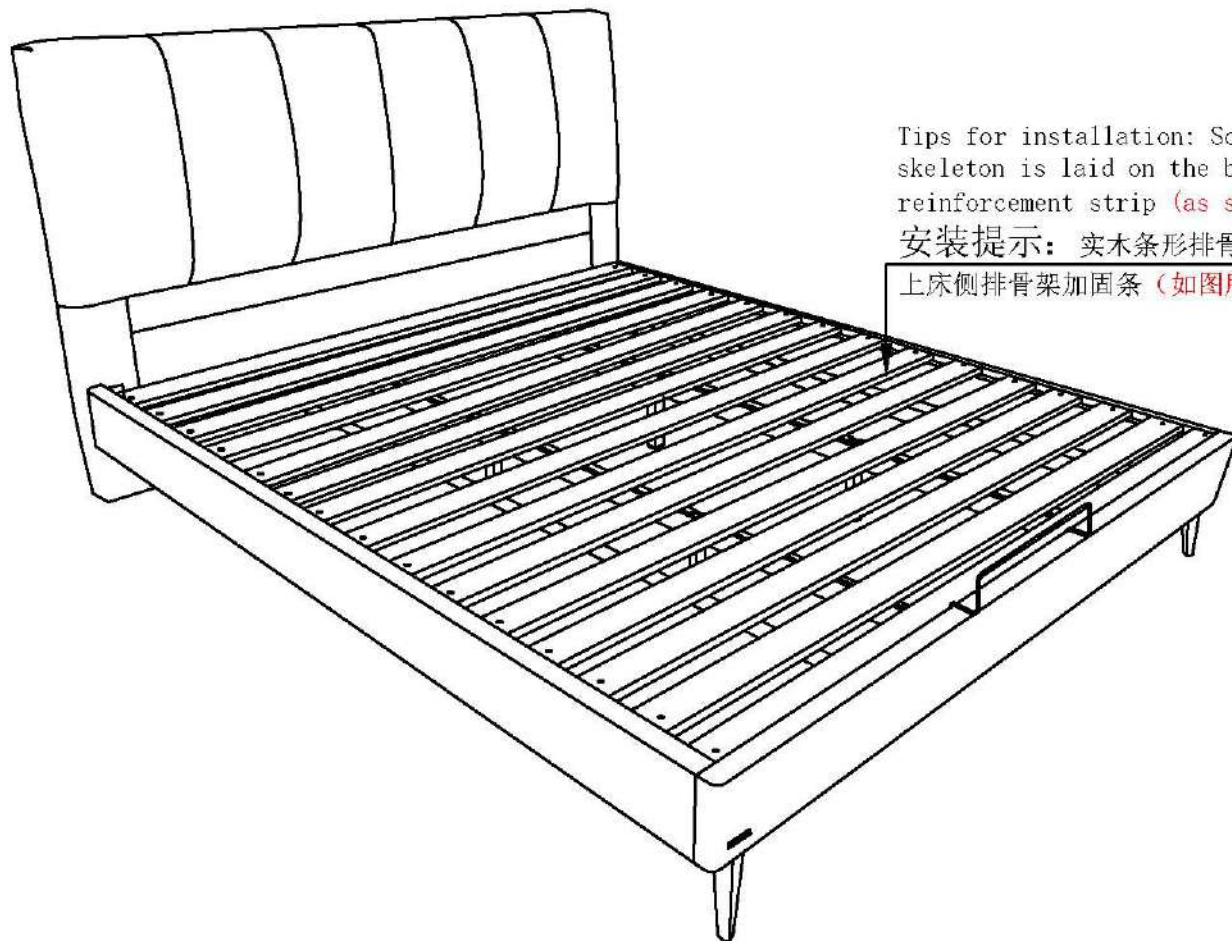
STEP 3:



安装提示：床侧排骨架加固条卡在床头床尾的木方托上，然后在加固条的前后锁上M4*40自攻螺丝（如图所示）

Installation tips: The bed side skeleton reinforcement strips are stuck on the wooden square brackets at the head of the bed, then lock M4*40 self-tapping screws on the front and rear of the reinforcement bar (as shown in the picture)

STEP 4:



Tips for installation: Solid wood strip skeleton is laid on the bed side skeleton reinforcement strip (as shown in the figure)

安装提示: 实木条形排骨架铺上床侧排骨架加固条 (如图所示)

注:

- 1、用M4*30自攻螺丝*30按孔位固定实木条形排骨架。
- 2、自攻螺丝固定实木条形排骨架步骤可选装可不装。

Note:

1. Use M4*30 self-tapping screws *30 to fix the solid wood strip row frame according to the hole position.
2. self-tapping screws fixed solid wood strip row skeleton steps optional installation.