

LINSY 林氏家居

安装示意图/Assembly Instruction

产品名称 Model NO.	PC585-A#	排骨架规格 Ranked bed slat specifications (1440*1960)
产品规格 Specification	1500*2000	
尺寸组合 Combined size	2140*1560*1110mm	

配件表1/Accessories list1

编号 NO.	名称 Name	图示 Icon	数量 QTY	编号 NO.	名称 Name	规格 Specification	数量 QTY	材质 material
A	说明书(含安装图) Mounting Instruction (with drawing)		1	①	床头 The head of a bed	1560*180*1110	1	松木+夹板+海绵+人造皮+真皮 Pine wood + Plywood + Sponge + Artificial leather + Genuine
B	M8*20斜边十字螺杆 M8*20 bevel cross bolt		36	②	床侧 Side of the bed	1990*80*150	1	夹板+海绵+人造皮 Plywood + Sponge + Artificial leather
C	M8垫片 M8 pad		36	③	床尾 The end of the bed	1530*40*150	1	松木+夹板+海绵+人造皮 Pine wood + Plywood + Sponge + Artificial leather
D	角码-(52*52*76mm)磨砂黑角码 Corner code -(52*52*76mm) Frosted black corner code		4	④	实木条形 排骨架 Solid wood bed slat	1440*1960	1	松木 Pine wood
E	角码-(182*182*41mm)磨砂黑角码 Corner code -(182*182*41mm) Frosted black corner code		4	实木条形排骨架配套配件 Solid wood strip frame supporting accessories				
F	脚-(130*130*146mm)五金脚 Feet -(130*130*146mm) Hardware feet		2					
G	M8外六角螺母 M8 external hexagon nut		2	M4*30自攻螺丝=48 M4*30 self tapping screw=48				
H	14MM开口扳手 (14mm)wrench		1	 				
I	M8*70斜边十字螺杆 M8*70 bevel cross bolt		2					
J	200MM排骨架实木中脚-01 (含M8*15锤母) 200MM solid wood midfoot for slat-01 (including M8*15 hammer head)		2	 				
K	(290*48*184mm)枪黑色床垫防滑钩 Gun black mattress non-slip hook (290*48*184mm)		1					
L	排骨架加固条002A1 (1975*48*38mm) reinforcement bar for side slat 002A1 (1975*48*38mm)		1	 				
M	M5*30自攻螺丝 M5*30 self tapping screw		4	 				
N	角码-(30*30*16mm)L型 Angle code -(30*30*16mm)L type		2	 				
P	M4*16自攻螺丝 M4*16 self tapping screw		4	 				
Q	M4*40自攻螺丝 M4*40 self tapping screw		2	 				

制图 Draw	C42	Page NO. 页码(3-1)
安装工具 Tool		安装人数 Installer
充电式手电钻 或者 十字螺丝刀 Cordless hand drill Phillips screwdriver		



图1: 角码安装示意图
Figure 1: Schematic diagram of
corner code installation

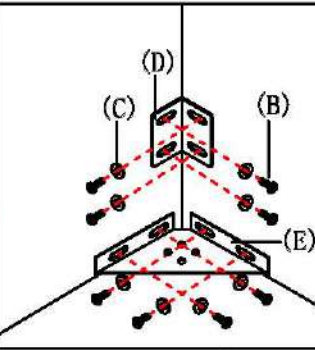


图2: 床侧尾脚安装示意图
Figure 2: Diagram for installing the
tail foot on the side of the bed

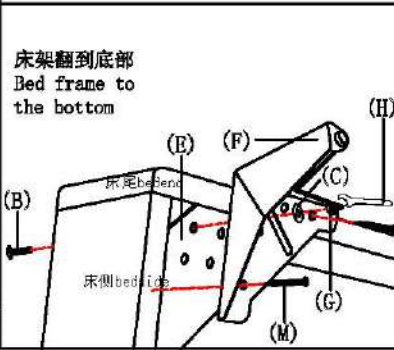
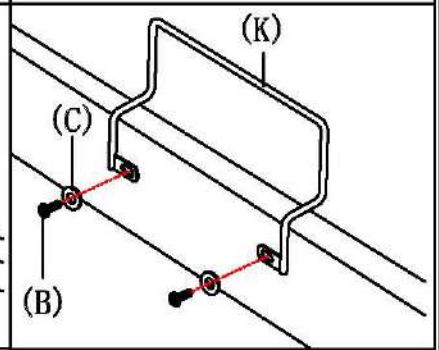
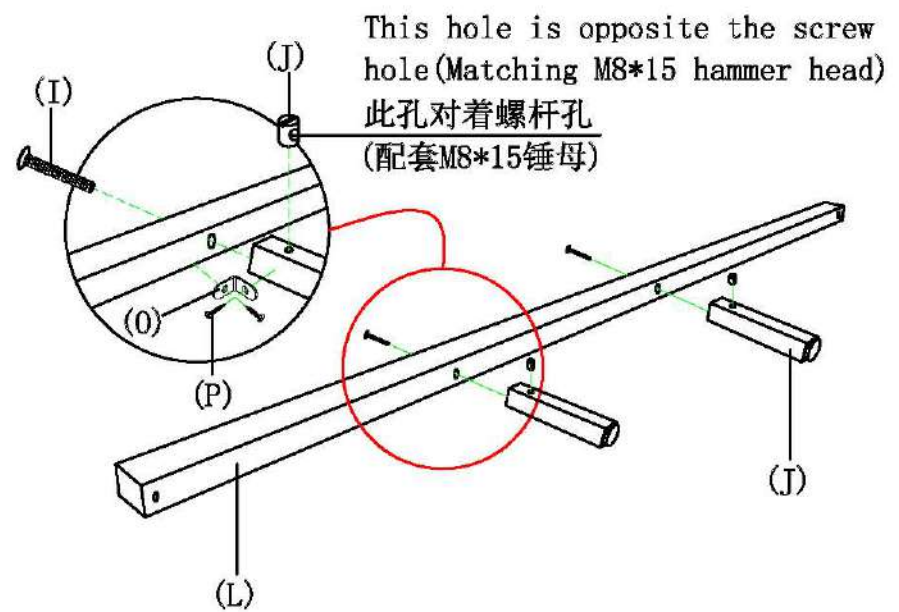


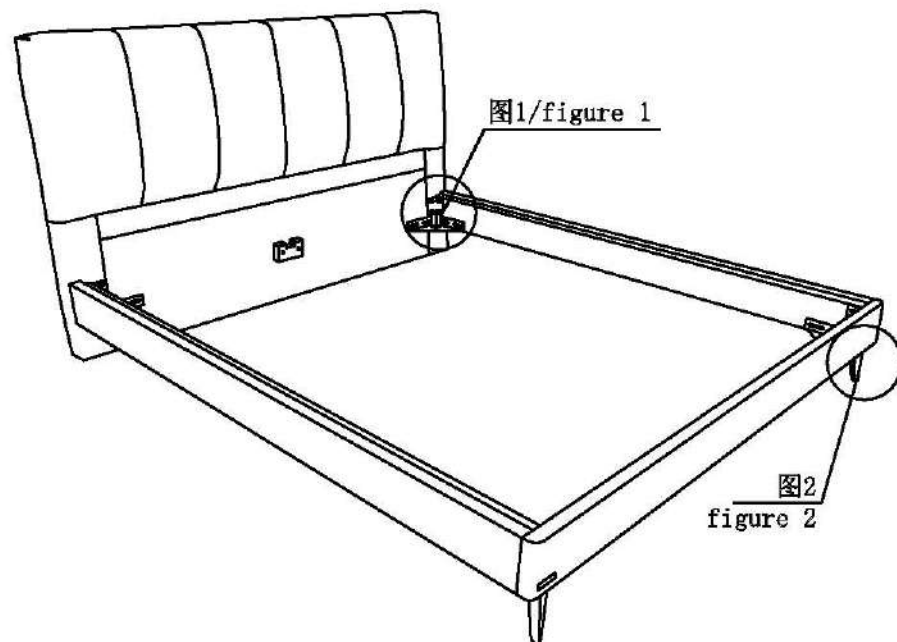
图3: 床垫防滑钩安装示意图
Figure 3: Installation diagram
of mattress anti-skid hook



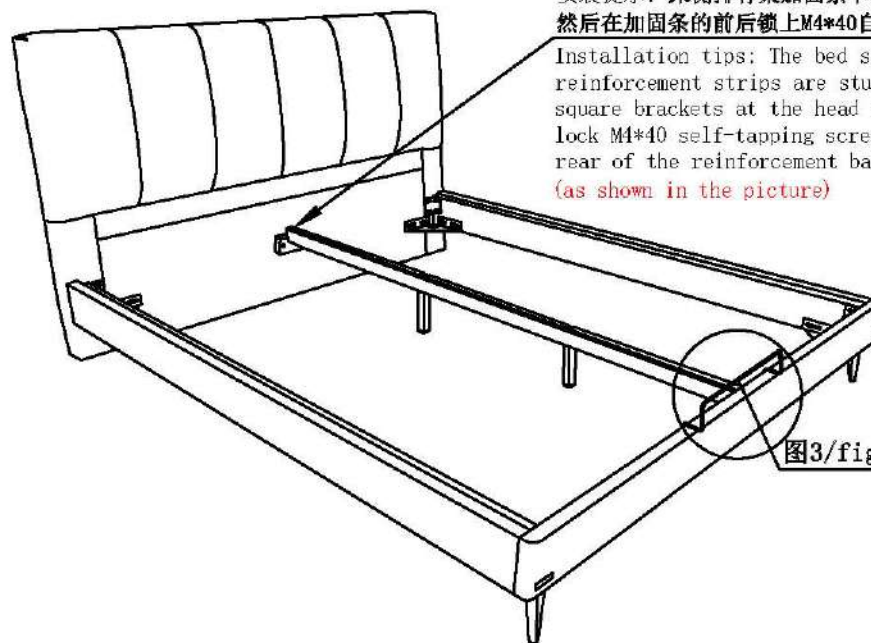
STEP 1:



STEP 2:



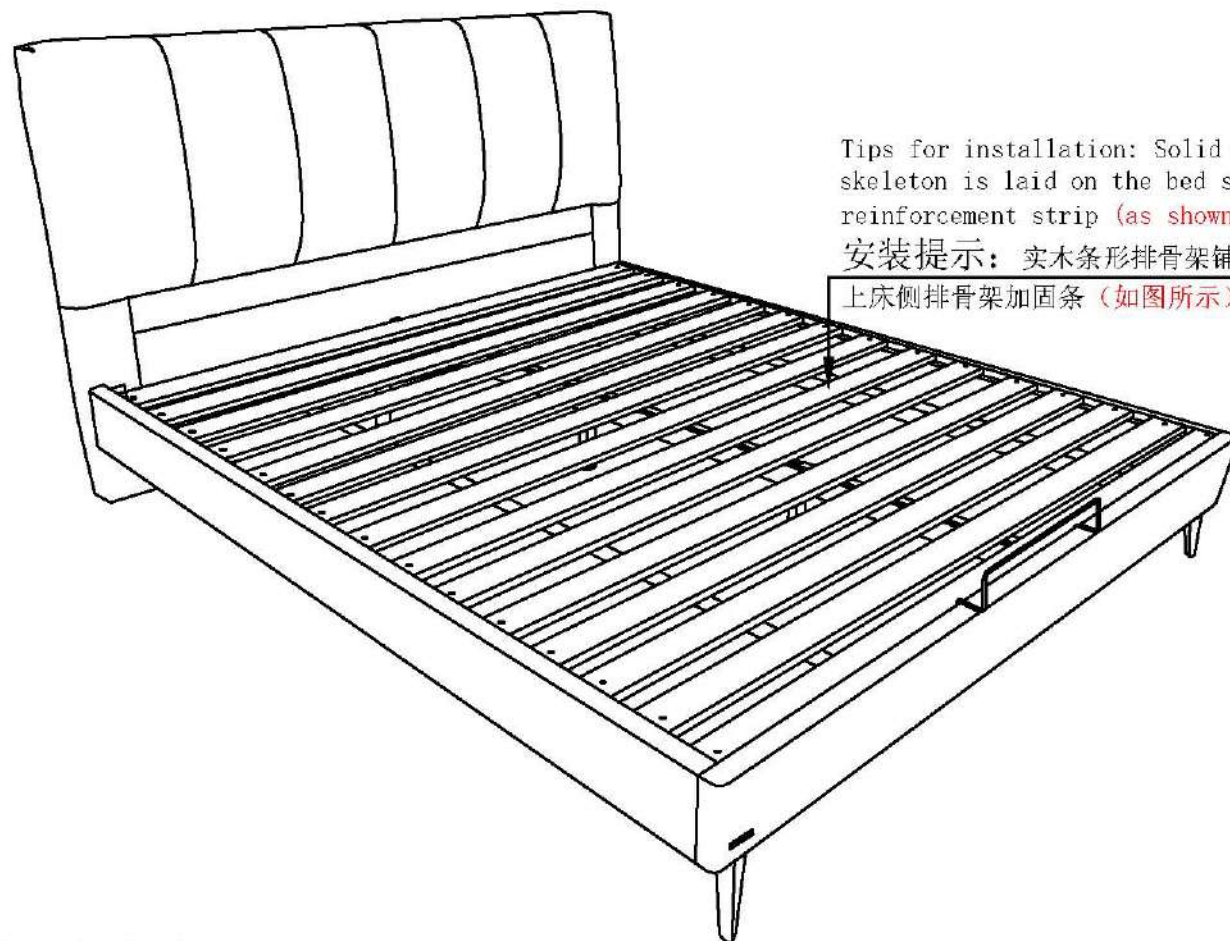
STEP 3:



安装提示：床侧排骨架加固条卡在床头床尾的木方托上，然后在加固条的前后锁上M4*40自攻螺丝（如图所示）

Installation tips: The bed side skeleton reinforcement strips are stuck on the wooden square brackets at the head of the bed, then lock M4*40 self-tapping screws on the front and rear of the reinforcement bar (as shown in the picture)

STEP 4:



Tips for installation: Solid wood strip skeleton is laid on the bed side skeleton reinforcement strip (as shown in the figure)

安装提示：实木条形排骨架铺
上床侧排骨架加固条（如图所示）

注：

- 1、用M4*30自攻螺丝*30按孔位固定实木条形排骨架。
- 2、自攻螺丝固定实木条形排骨架步骤可选装可不装。

Note:

1. Use M4*30 self-tapping screws *30 to fix the solid wood strip row frame according to the hole position.
2. self-tapping screws fixed solid wood strip row skeleton steps optional installation.