

# LINSY 林氏家居

## 安装示意图/Assembly Instruction

如何区分沙发的左右方向?  
How to zone the left and right direction of the sofa?

(图示仅供分辨方向用/Picture are for orientation only)



安装人数  
Installer



充电式手电钻 Cordless hand drill

或者 Or



十字螺丝刀 Phillips screwdriver

客户安装前须知:

Customers need to know before installation: 此安装图为“左双人+右双人”的位置关系。  
This installation picture is "Loveseat(L)+ Loveseat(R)"

3-1

产品名称 Model NO.	沙发
产品型号 Product model	BS636-A/B
产品组合 Product portfolio	①左双人+右双人 Loveseat(L)+ Loveseat(R)
尺寸规格 Specification	①(2720*1060*880)mm

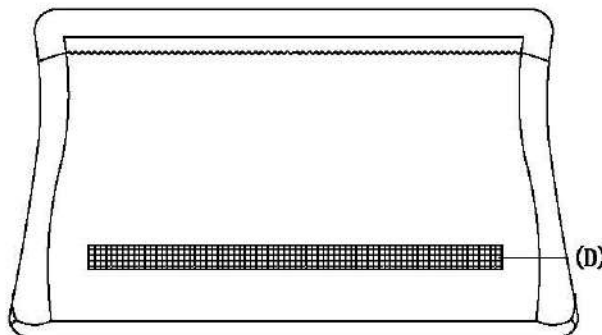
编号 NO.	名称 Name	规格 Specification	数量 QTY	材质 Material
1	左双人 Loveseat(L)	1360*1060*880	1	松木+胶合板+海绵+乳胶+布料 Pine wood + Plywood + Sponge+Latex+Cloth
2	右双人 Loveseat(R)	1360*1060*880	1	松木+胶合板+海绵+乳胶+布料 Pine wood + Plywood + Sponge+Latex+Cloth

制图 Draw

C20

### 扶手包 \* 1 对

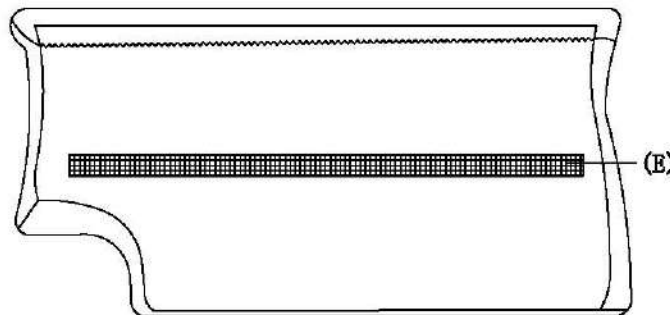
Armrest bag \*1 pair



注: 扶手包背面要粘贴上4分双勾么术布条 55cm  
Note: The back of the armrest bag should be pasted with a 4-point double-hook cloth strip 55cm

### 扶手靠包 \* 1 对

Armrest bag \*1 pair



注: 靠包背面要粘贴上4分双勾么术布条 110cm  
Note: The back of the bag should be pasted with a 4-cent double hook cloth 110cm

### 配件表 Accessories list

编号 NO.	名称 Name	图示 Icon	数量 QTY	左双人 Loveseat(L)	右双人 Loveseat(R)
A	说明书(含安装图) Mounting Instruction (with drawing)		1	1	0
B	∅70*30mm黑色橡胶木脚 ∅70*30mm black rubber wood foot		8	4	4
C	M4*40自攻螺丝 M4*40 self tapping screw		16	8	8
D	4分双黑勾么术布条55cm 4 points double black hook cloth 55cm		2	1	1
E	4分双黑勾么术布条110cm 4 points double black hook cloth 110cm		2	1	1
F	白色魔术布条(35米) White Magic Cloth Strip (35m)		1	1	0

### 左双人 Loveseat (L)

STEP 1:

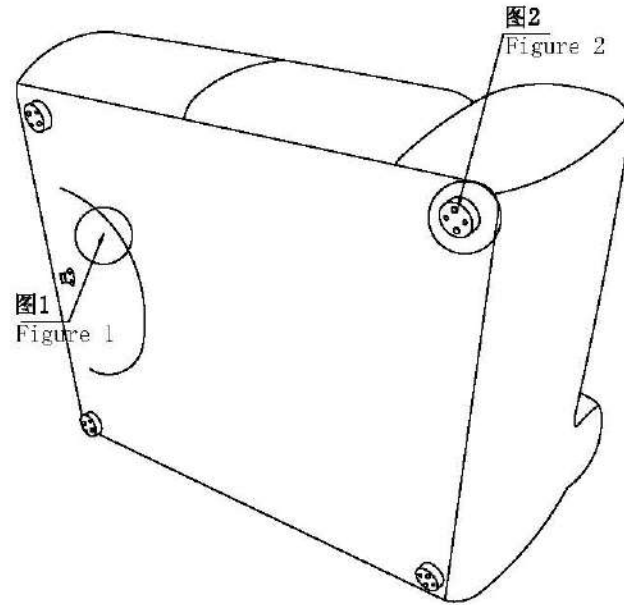


图1: 拉开拉链, 取出配件  
Figure 1: Unzip and remove the fitting

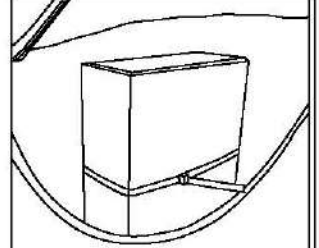


图2: 边脚安装示意图①  
Figure 2: Side and Foot installation diagram①



\* 安装原装脚时, 必须把带钉小胶脚拆除!  
\* When installing the original feet, the small rubber feet with nails must be removed!

### 右双人 Loveseat (R)

STEP 1:

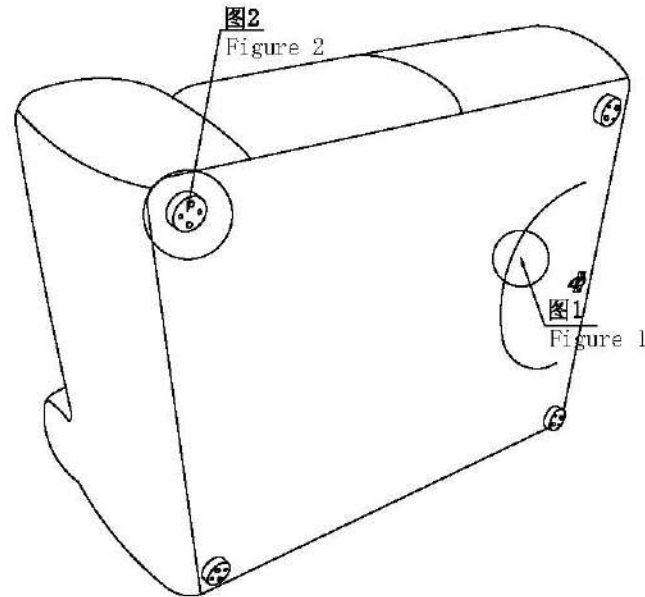
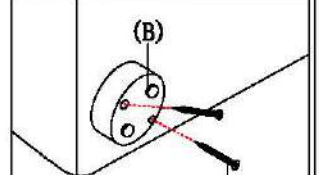
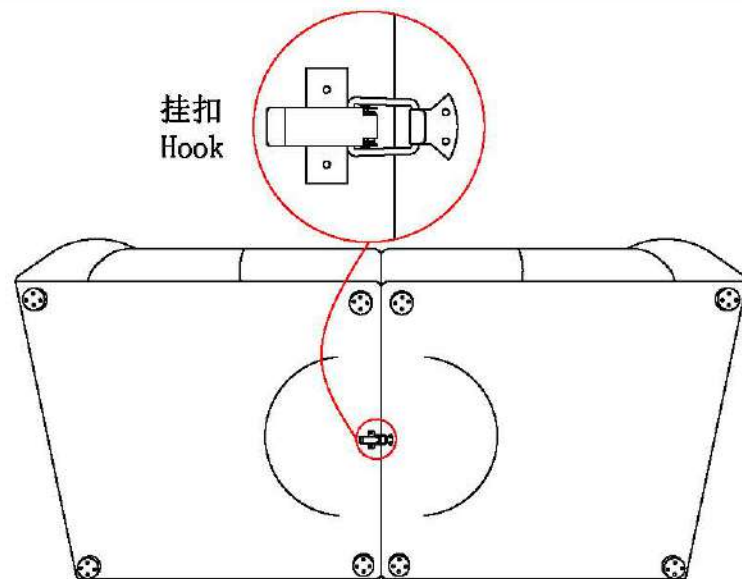


图2: 边脚安装示意图②  
Figure 2: Side and Foot installation diagram②



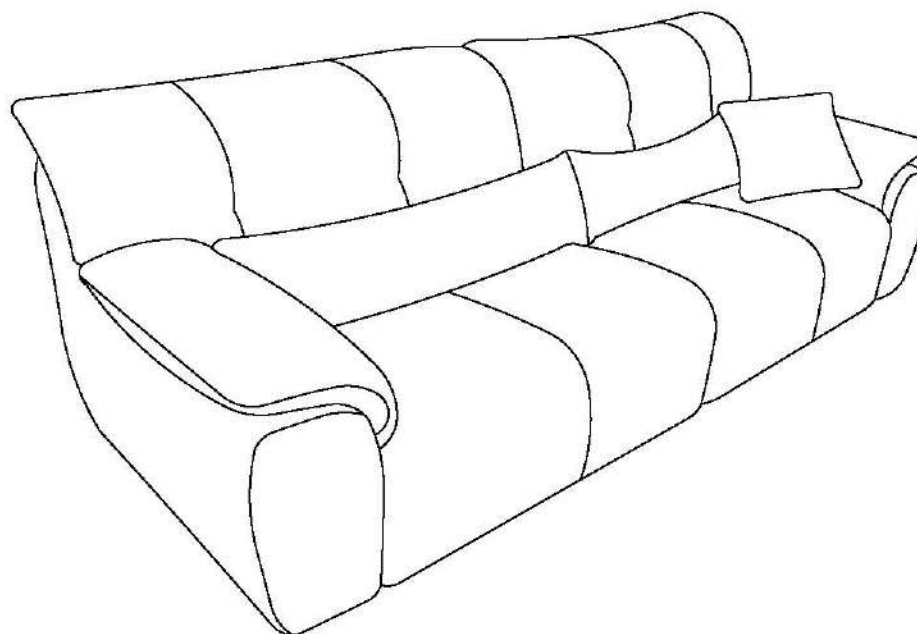
按打工画点安装 (C)  
Install according to the palpable drawing point



把左双人和右双人靠一起，锁上座架底的五金扣。  
Put the Loveseat(L) and the Loveseat(R) together,  
and lock the metal buckle at the bottom of the seat frame.

组合图 Combination

左双人+右双人 Loveseat(L) + Loveseat(R)



注:

- 1) 安装图图示方向为指示方向，具体左右摆放方式以实物为准。  
The direction shown in the installation diagram is the indicated direction, and the specific left and right placement method is subject to the actual object.
- 2) 产品安装图中产品规格涵盖了该款式的完整组合件，详细配套组合件请参考实物。  
The product specifications in the installation diagram cover the complete assembly of this style. For detailed matching assembly, please refer to the actual product.