

# LINSY 林氏家居

## 安装示意图/Assembly Instruction

产品名称 Model NO.	床头柜 bedside table				
产品型号 Product model	TD168-A#				
产品组合 Product portfolio	床头柜 bedside table				
尺寸规范 Specification	(450*430*475)mm				
成品部件明细	编号 NO.	名称 Name	规格 Specification	数量 QTY	材质 Material
Product Parts Details	1	床头柜 Bedside table	450*430*475	1	实木+三胺板+人造皮+石材 Solid wood+trimiting board + Artificial Leather+Stone
制图 Draw	//				

### 配件表 Accessories list

编号 NO.	名称 Name	图示 Icon	数量 QTY	床头柜 bedside table
A	说明书(含安装图) Mounting Instruction (with drawing)		1	1
B	M8*20斜边十字螺杆 M8*20 bevel cross bolt		12	12
C	M8垫片 M8 pad		8	8
D	脚-(150*150*120mm)黑色哑光三叉五金脚Foot - (150*150*120mm) black matte three-pronged hardware foot		4	4
E	镜钉-(直径13*5mm) Mirror nail-(diameter13*5mm)		4	4
F	拉手螺丝-(M4*35mm)彩锌 Handle screw - (M4*35mm) color zinc		4	4
G	拉手-(80*17*12mm)铝合金黑色哑光拉手Handle - (80*17*12mm) handle		2	2

如何区分沙发的左右方向?  
How to solve the left and right direction of the sofa?

(图示仅供分辨方向用/Picture are for orientation only)



安装人数 Installer



充电式手电钻Cordless hand drill

或者Or



十字螺丝刀Phillips screwdriver

1-1

## 床头柜 bedside table

STEP 1:

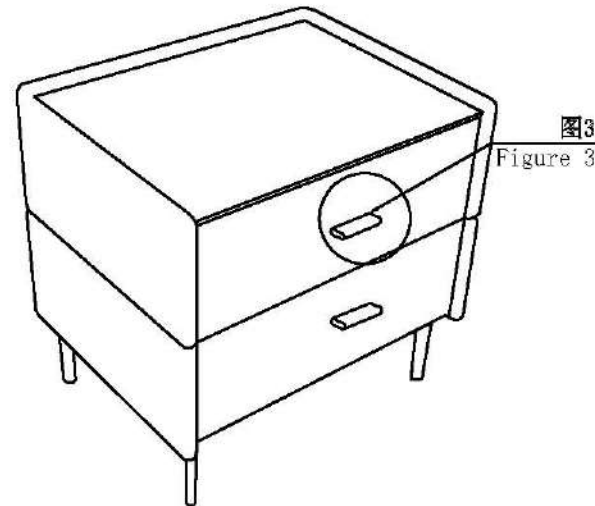
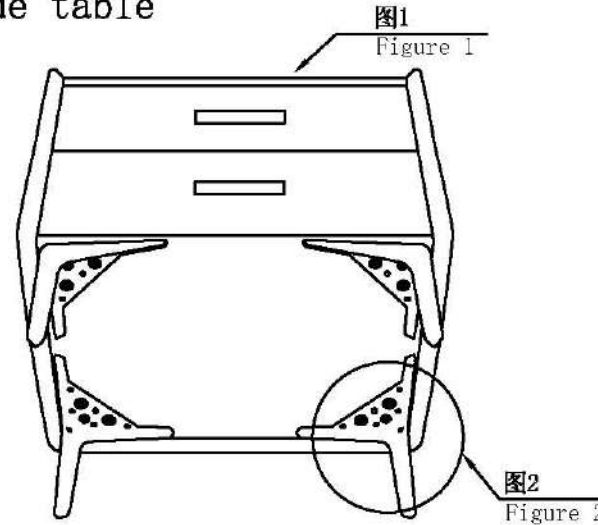


图1: 打开抽屉, 取出配件  
Open the drawer and take out the fitting



图2: 边脚安装示意图  
Figure 2: Side and foot installation diagram

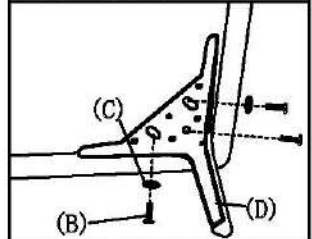


图3: 抽屉拉手安装示意图  
Figure 3: Schematic diagram of drawer handle installation

