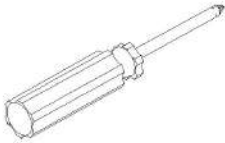
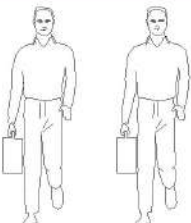


# LINSY 林氏家居

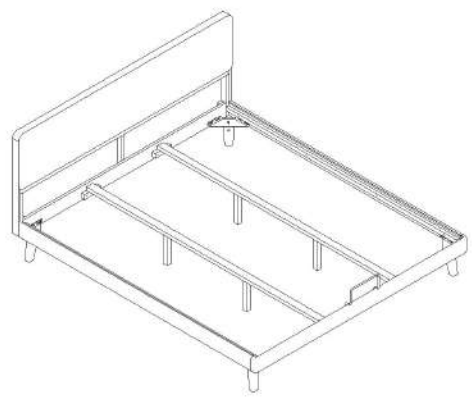
## 五金表/Hardware list

## 部件表/Parts List


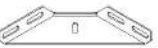




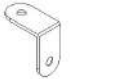













### 安装示意图/Assembly Instruction

产品名称 Model NO.	RQ5A-A1.5m
产品规格 Specification	2067*1504*920mm
安装工具 Tool	安装人数 Installer
	

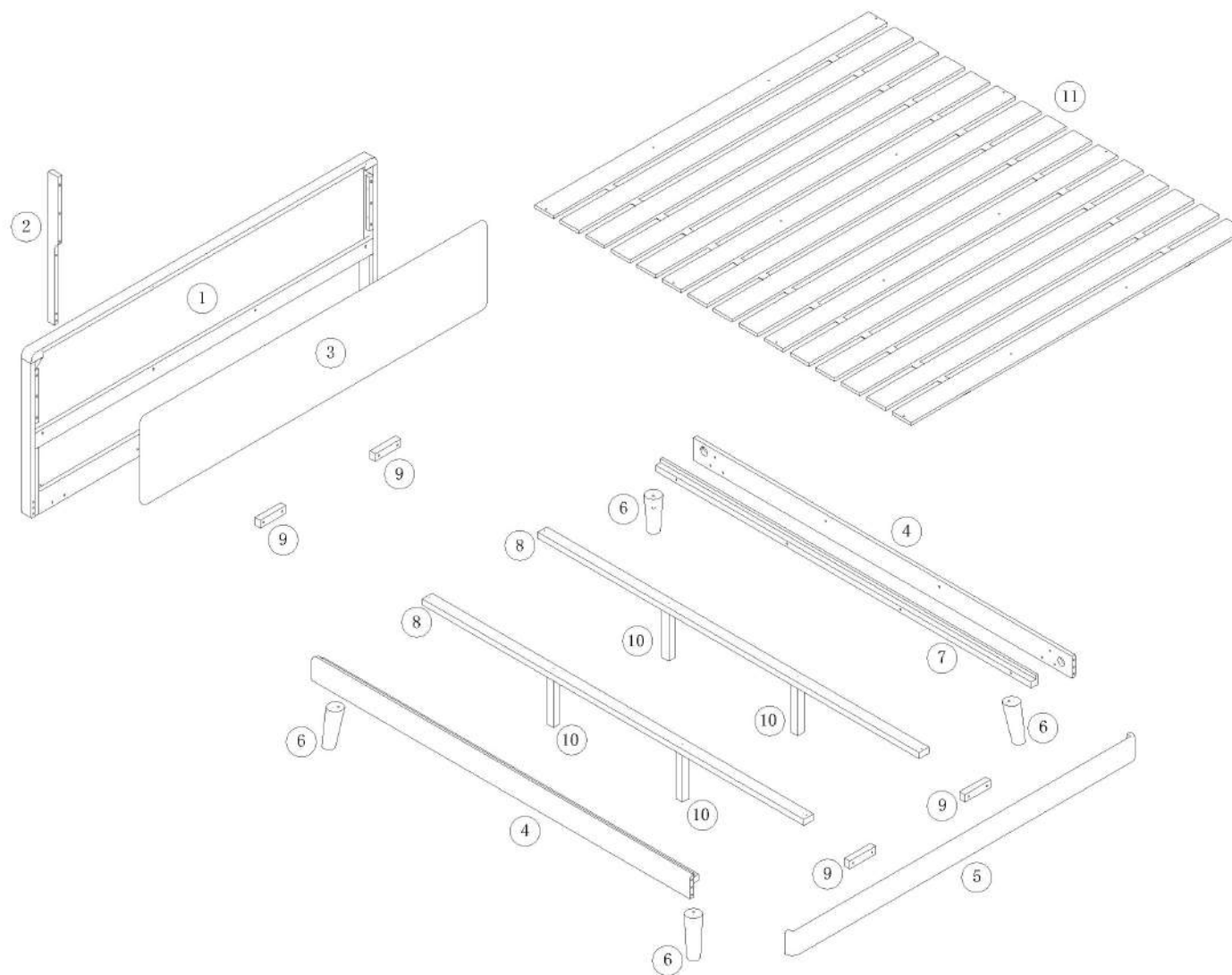
注：为保证设计效果，部分尺寸为定制尺寸，不影响使用。



床垫推荐厚度：200-220mm

 (A)*1 床垫防滑钩 Anti-slip hook	 (B)* 4 角码 Corner code	 (C)* 4 开口挡块 Opening screw	 (D)* 4 外六角螺母M6 Hexagon Nut colored zinc
 (E)* 4 全牙螺杆-M6x80 screw- color zinc	 (F)* 1 开口扳手10mm Wrench- Open End Wrench	 (G)* 4 角码-(30*30*16)L型 Corner code L type	 (H)* 8 自攻螺丝M3.5*14 Self-tapping screw
 (I)* 4 脚垫-灰色 Footrest - Grey	 (J)* 8 木榫08x30mm wood tenon	 (K)* 8 锤母-(M8*15mm) Hammer nut	 (L)* 4 调节五金脚-M8x30 Adjusting foot
 (M)* 4 自攻大扁M4*30mm Self tapping flat screw	 (N)* 4 垫片 shim	 (O)* 18 斜边十字螺杆-M8x15 bevel cross screw	 (P)* 4 自攻螺丝M4x35mm Self-tapping screw
 (Q)* 16 斜边十字螺杆-M6x35 bevel cross screw	 (R)* 8 斜边十字螺杆-M8x70 bevel cross screw	 (S)* 4 垫片-(15*3)黑色 Rubber pad	
 (T)* 17 自攻螺丝M4x30mm Self-tapping screw	排骨架自带五金 The skeleton comes with its own hardware		

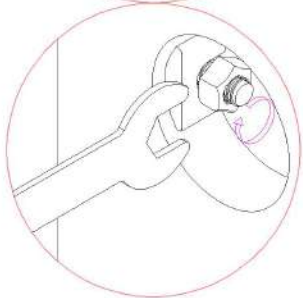
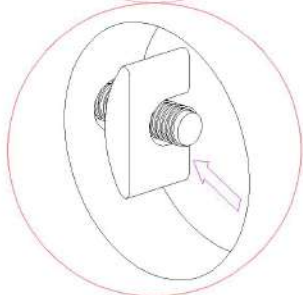
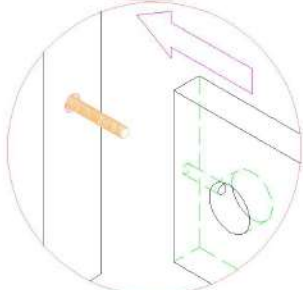
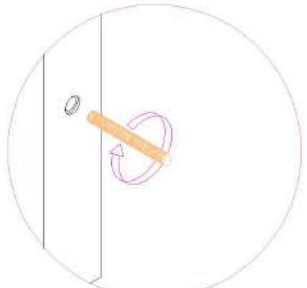
编号NO.	名称Name	规格(MM) Specification	数量QTY	材质Material
①	床头Head bed	1504*737*70	1	黑胡桃木+榉木+奥古曼 Black walnut wood+ash+Okoume
②	床头中脚Bedhead midfoot	677*50*20	1	奥古曼 Okoume
③	床头上节主板Board Up head bed	1504*400*20	1	黑胡桃木 Black walnut wood
④	床侧Bedside	1970*100*20	2	黑胡桃木 Black walnut wood
⑤	床尾Bed tail	1504*102*40	1	黑胡桃木 Black walnut wood
⑥	脚Foot	190*70*70	4	黑胡桃木 Black walnut wood
⑦	床侧加厚条Bedside thickened strip	1955*45*35	2	松木 Pine wood
⑧	床板托条Bed board support strip	1987*50*27	2	松木 Pine wood
⑨	下托条Lower brace	134*35*27	4	松木 Pine wood
⑩	中脚Middle foot	220*35*35	4	松木 Pine wood
⑪	齐边加密条形排骨架(1.5m) Edge encrypted bar shaped skeleton (1.5m)	1960*1440*14	1	云杉木 Spruce wood



编号NO.	名称Name
①	床头Head bed
②	床头中脚Bedhead midfoot
③	床头上节主板Board Up head bed
④	床侧Bedside
⑤	床尾Bed tail
⑥	脚Foot
⑦	床侧加厚条Bedside thickened strip
⑧	床板托条Bed board support strip
⑨	下托条Lower brace
⑩	中脚Middle foot
⑪	齐边加密条形排骨架(1.8m) Edge encrypted bar shaped skeleton (1.8m)

RQ5A-A1. 5m

安装方法/  
Installation method



小五合一  
Small 5-in-1



(D) \*4



(F) \*1



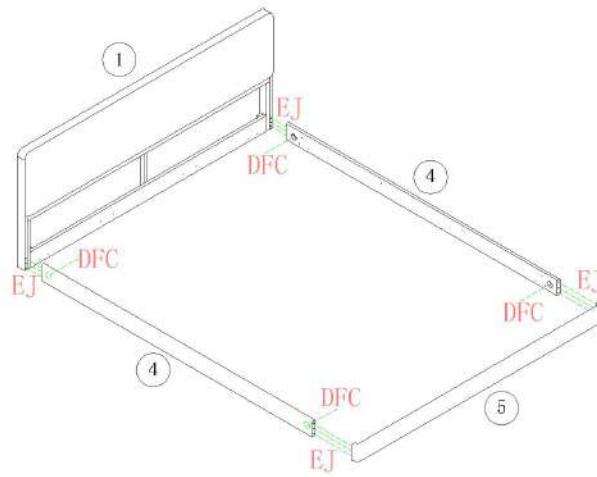
(E) \*4



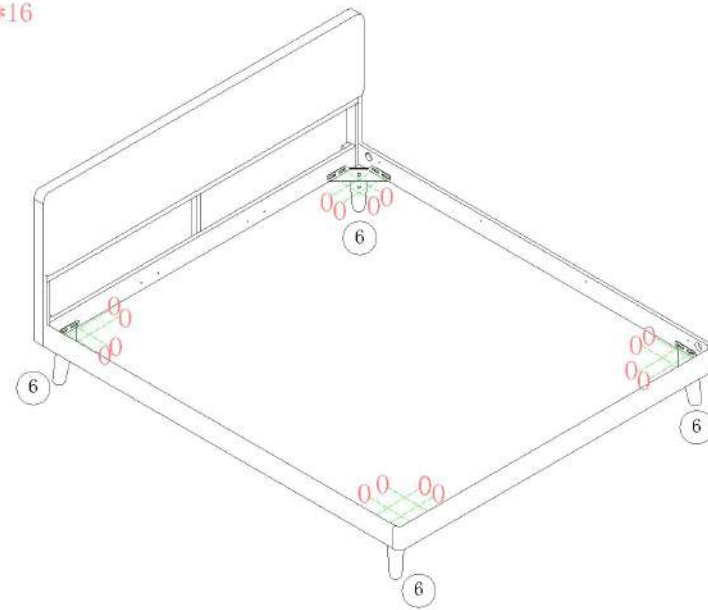
(C) \*4



(J) \*8



(O) \*16



1



(I) \*4



(M) \*4



(N) \*4



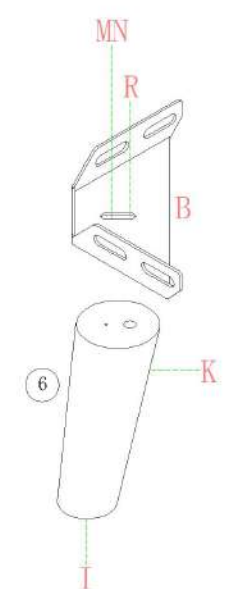
(K) \*4



(R) \*4



(B) \*4



2

3



(K) \*4



(R) \*4



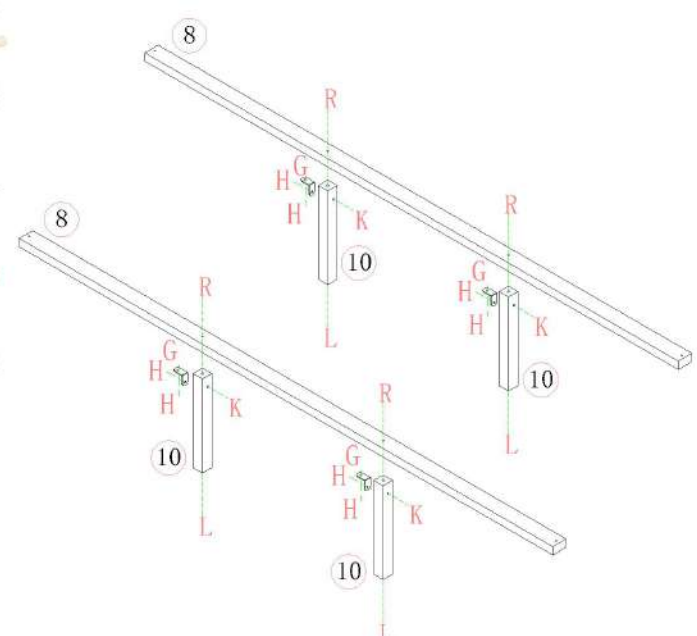
(L) \*4



(H) \*8



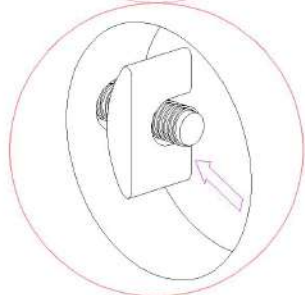
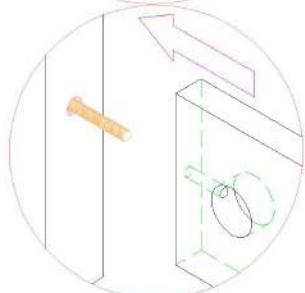
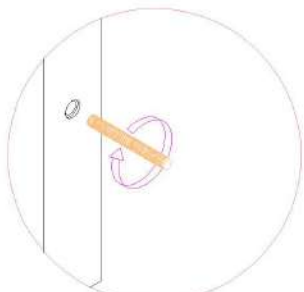
(G) \*4



4

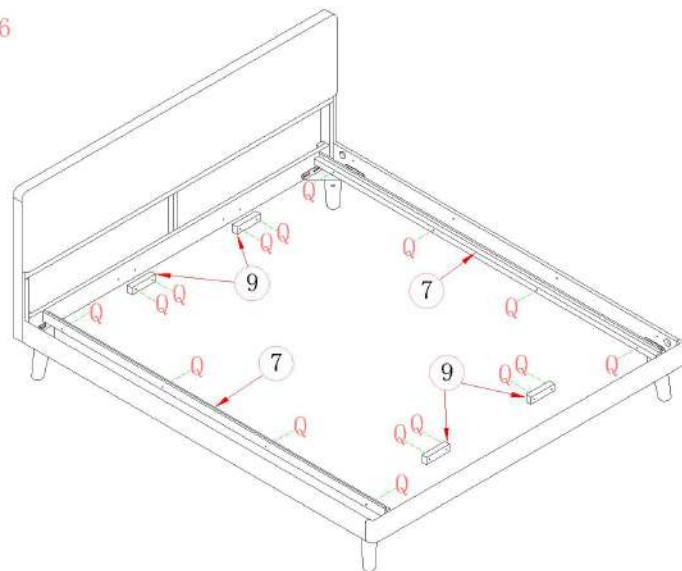
RQ5A-A1. 5m

安装方法/  
Installation method

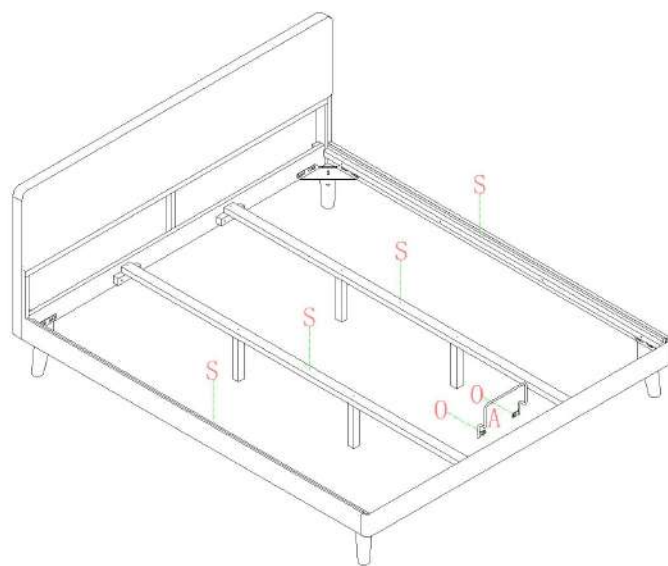



小五合一  
Small 5-in-1

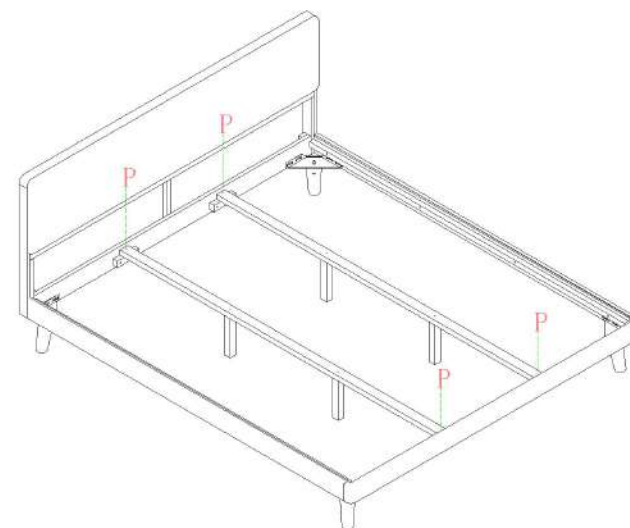
 (Q)\*16



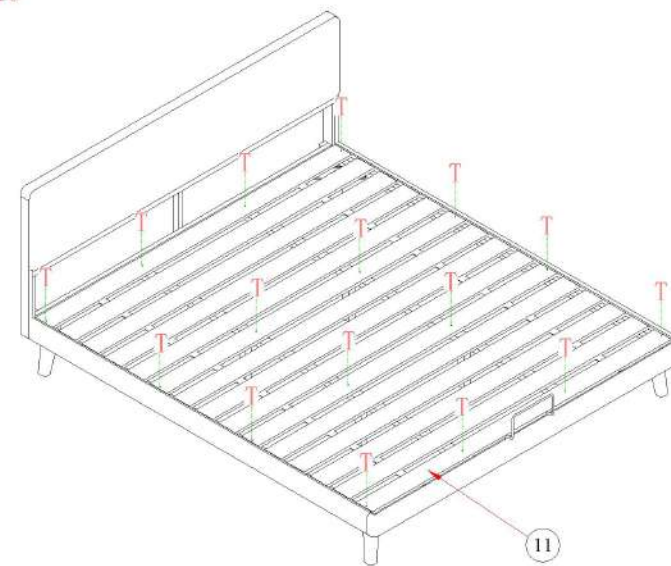
 (O)\*2  
 (A)\*1  
 (S)\*4



5  (P)\*4



7  (T)\*16



6

8