

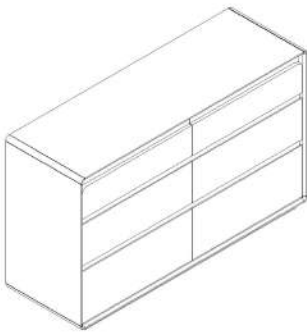


# LINSY 林氏家居

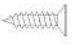















## 安装示意图/Assembly Instruction

产品名称 Model NO.	UM4E-A1(六斗柜)
产品规格 Specification	1193*399*715mm
安装工具 Tool	安装人数 Installer
	

注：为保证设计效果，部分尺寸为定制尺寸，不影响使用。



## 五金表/Hardware list

 (A)* 93 自攻螺丝M3.5x14mm Self-tapping screw	 (B)* 11 自攻螺丝M3.5x16mm Self-tapping screw	 (C)* 11 自攻螺丝M4x35mm Self-tapping screw	 (D)* 4 背板扣 Back Plate Buckle-White
 (E)* 6 透明塑料垫片 Plastic gasket	 (F)* 1 家具防倒器-白色 Anti-fall device white	 (G)* 10 灰色毛毡脚垫 Footrest - Grey	 (H)* 6 镜钉 Mirror nail
 (I)* 99 二合一螺杆 2-in-1-screw	 (J)* 99 大三合一锁饼 Three-in-one large lock	 (K)* 21 木榫Ø8x30mm wood tenon	 (L)* 2 透气孔盖-白色 Vent cover - white
 (M)* 6 三节滚珠导轨-10° three-section ball rail	 (N)* 8 L型角码14x21x1.5 L-shaped corner code	 (O)* 2 抽面亚克力 Drawing Acrylic	 (P)* 99 PVC孔贴 PVC hole sticker

## 部件表/Parts List

编号NO.	名称Name	规格 (mm) Specification	数量 QTY	材质Material
①	转角木/左 Corner wood(L)	399*20*20	2	橡胶木 Rubber wood
②	转角木/右 Corner wood(R)	399*20*20	2	橡胶木 Rubber wood
③	面板 Top panel	1153*398*15	1	刨花板 Particle board
④	底板 Bottom board	1153*398*15	1	刨花板 Particle board
⑤	右侧板 Side board(R)	647*398*15	1	刨花板 Particle board
⑥	左侧板 Side board(L)	647*398*15	1	刨花板 Particle board
⑦	背拉条 Back brace	1163*137*15	2	刨花板 Particle board
⑧	背板 Back board	1173*393*5	1	纤维板 Fiberboard
⑨	前脚条 Front foot strip	1104*116*25	1	刨花板 Particle board
⑩	侧脚条 Side foot strip	262*58*25	3	刨花板 Particle board
⑪	前拉条 Front brace	1163*58*25	2	刨花板 Particle board
⑫	左上抽屉面板 Upper left drawer panel	578*140*15	1	刨花板 Particle board
⑬	右上抽屉面板 Upper right drawer panel	578*140*15	1	刨花板 Particle board
⑭	左中抽屉面板 Left middle drawer panel	578*190*15	1	刨花板 Particle board
⑮	右中抽屉面板 Right middle drawer panel	578*190*15	1	刨花板 Particle board
⑯	左下抽屉面板 Lower left drawer panel	578*236*15	1	刨花板 Particle board
⑰	右下抽屉面板 Lower right drawer panel	578*236*15	1	刨花板 Particle board
⑱	上抽屉侧板 Upper drawer's sideboard	290*78*15	4	刨花板 Particle board
⑲	上抽屉后板 Upper drawer's back board	548*78*15	2	刨花板 Particle board
⑳	抽屉底板 Drawer's Bottom board	528*300*5	6	纤维板 Fiberboard
㉑	下抽屉侧板 Lower drawer's sideboard	290*142*15	8	刨花板 Particle board
㉒	下抽屉后板 Down drawer's back board	548*142*15	4	刨花板 Particle board
㉓	中隔板 Middle clapboard	657*325*15	1	刨花板 Particle board

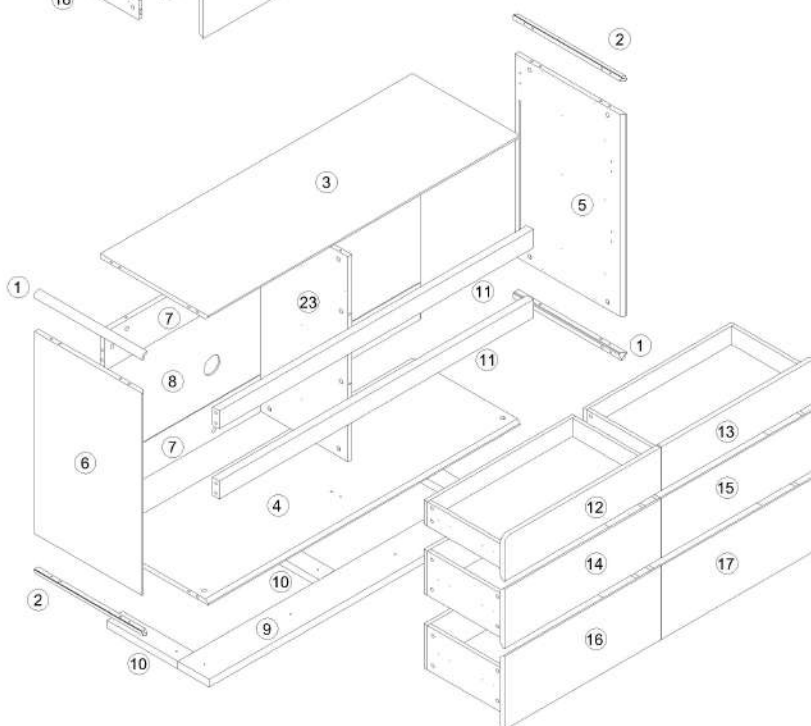
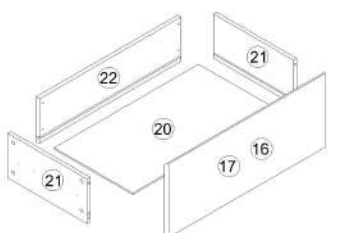
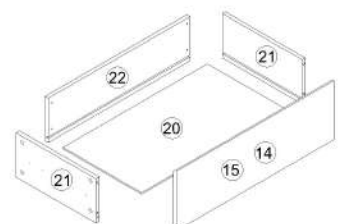
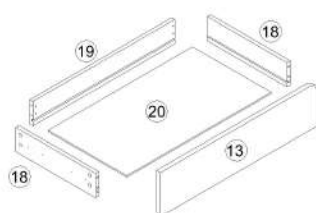
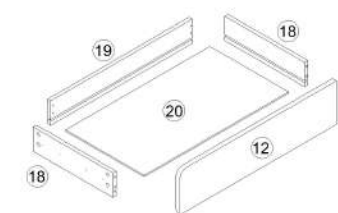
▶使用本产品请靠墙放置。

▶Please place this product against the wall.

UM4E-A1(六斗柜)

产品分解图/  
exploded drawing

部件表/Parts List



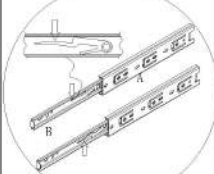
编号NO.	名称Name
①	转角木/左 Corner wood(L)
②	转角木/右 Corner wood(R)
③	面板 Top panel
④	底板 Bottom board
⑤	右侧板 Side board(R)
⑥	左侧板 Side board(L)
⑦	背拉条 Back brace
⑧	背板 Back board
⑨	前脚条 Front foot strip
⑩	侧脚条 Side foot strip
⑪	前拉条 Front brace
⑫	左上抽屉面板 Upper left drawer panel
⑬	右上抽屉面板 Upper right drawer panel
⑭	左中抽屉面板 Left middle drawer panel
⑮	右中抽屉面板 Right middle drawer panel
⑯	左下抽屉面板 Lower left drawer panel
⑰	右下抽屉面板 Lower right drawer panel
⑱	上抽屉侧板 Upper drawer's sideboard
⑲	上抽屉后板 Upper drawer's back board
⑳	抽屉底板 Drawer's Bottom board
㉑	下抽屉侧板 Lower drawer's sideboard
㉒	下抽屉后板 Down drawer's back board
㉓	中隔板 Middle clapboard

UM4E-A1 (六斗柜)

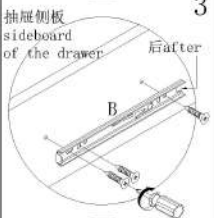
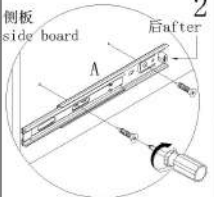
安装方法/

Installation method

阀门开关(下压为开)  
Valve switch  
(press down to open)



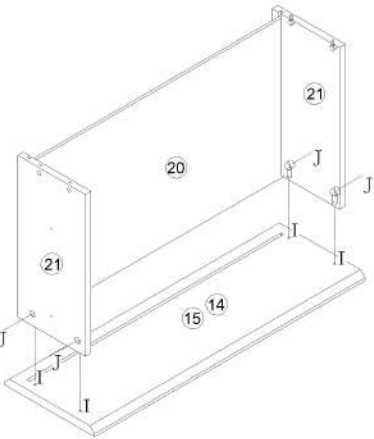
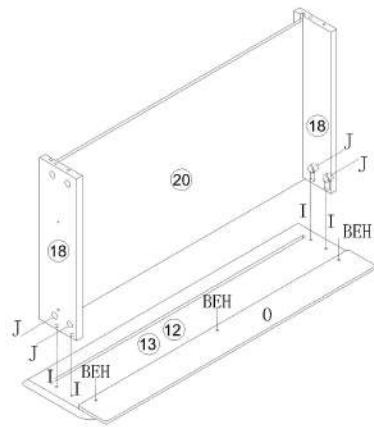
注: 先将A与B拆下来  
Note: remove a and B first



注: 将B对准A后推进去  
Note: align B with a  
and push it in  
三节滚珠导轨  
three-section ball rail

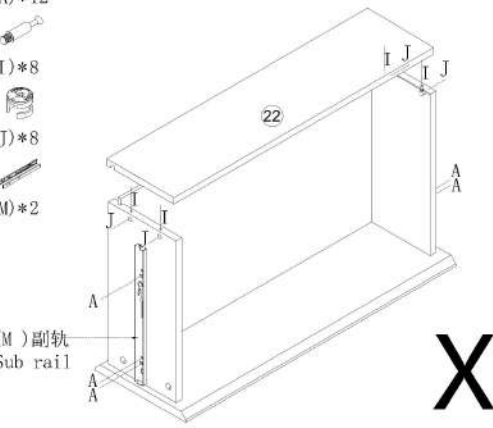
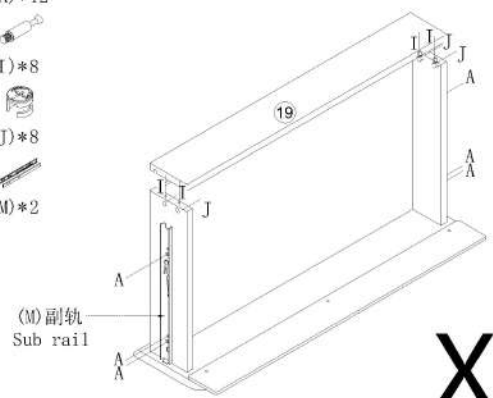
- (B)\*6
- (E)\*6
- (H)\*6
- (O)\*2
- (I)\*8
- (J)\*8

- (I)\*8
- (J)\*8



- (A)\*12
- (I)\*8
- (J)\*8
- (M)\*2

- (A)\*12
- (I)\*8
- (J)\*8
- (M)\*2



X2

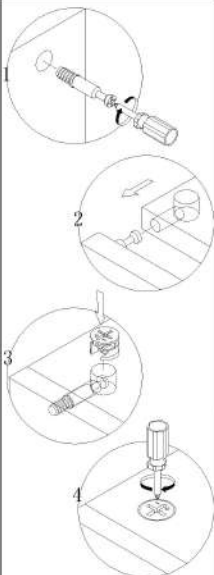
X2

2

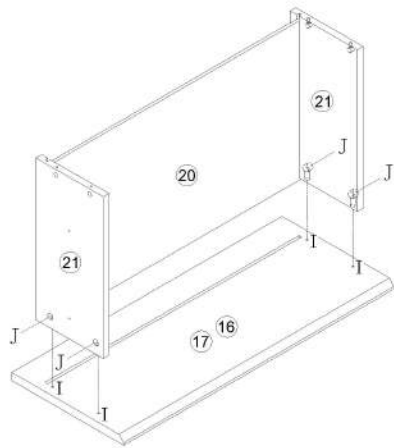
4

UM4E-A1 (六斗柜)

安装方法/  
Installation method

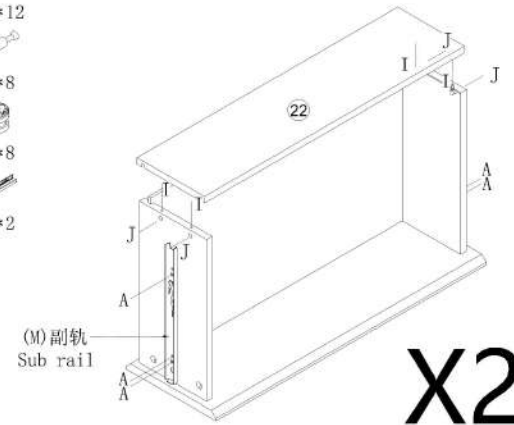


(I)\*8  
(J)\*8



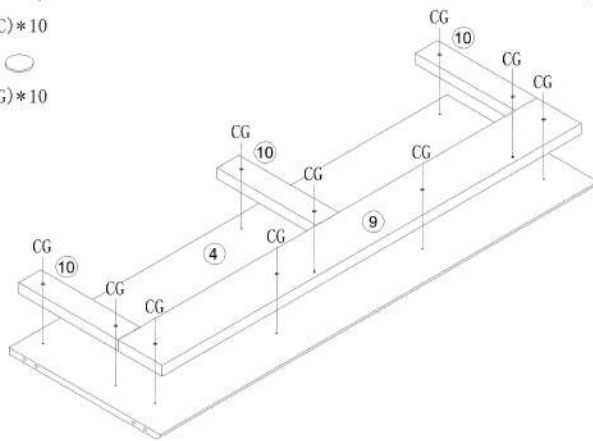
5

(A)\*12  
(I)\*8  
(J)\*8  
(M)\*2



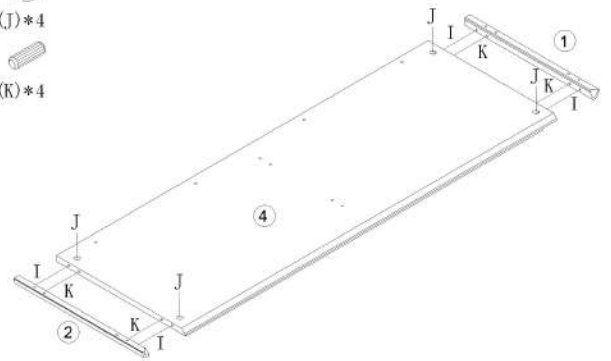
6

(C)\*10  
(G)\*10



7

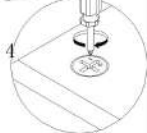
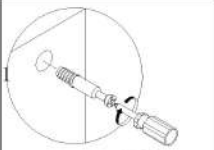
(I)\*4  
(J)\*4  
(K)\*4



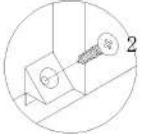
8

UM4E-A1(六斗柜)

安装方法/  
Installation method

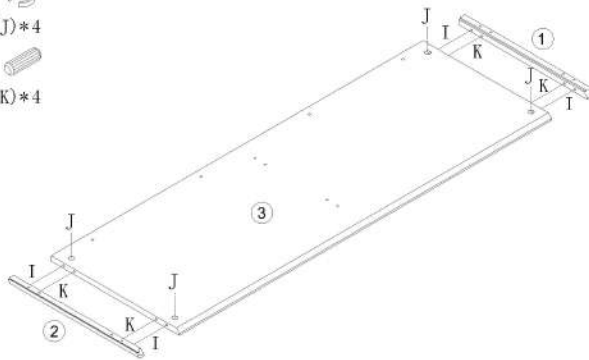


大二合一  
two-in-one



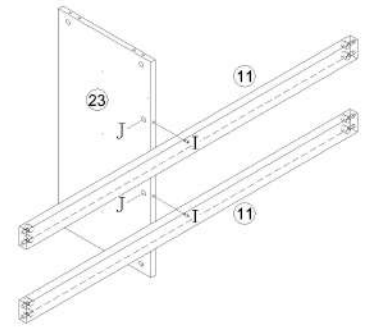
背板扣  
Back Plate Buckle-White

- (I)\*4
- (J)\*4
- (K)\*4



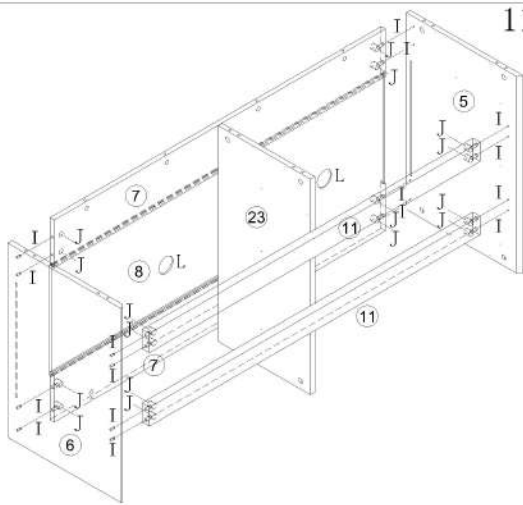
9

- (I)\*2
- (J)\*2



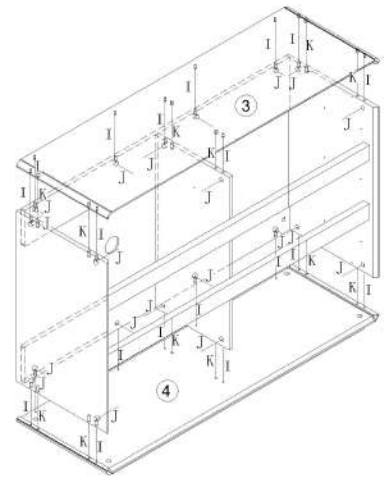
10

- (I)\*16
- (J)\*16
- (L)\*2



11

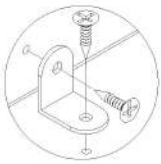
- (I)\*20
- (J)\*20
- (K)\*12



12

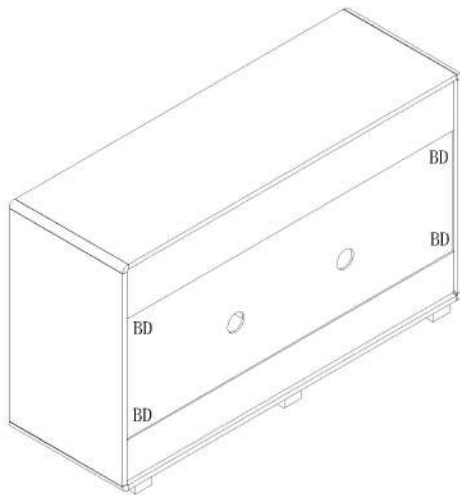
UM4E-A1 (六斗柜)

安装方法/  
Installation method



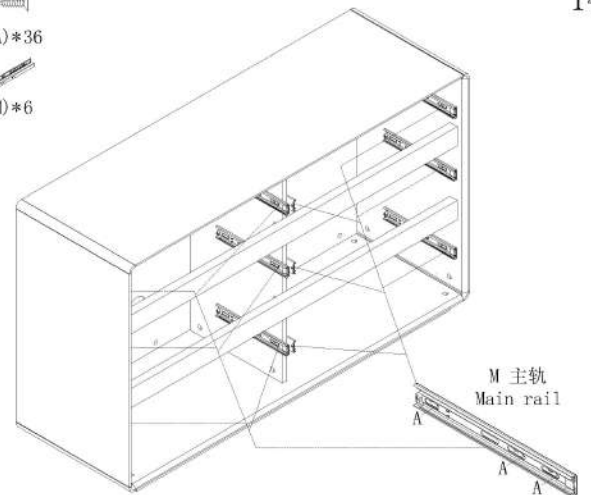
角码  
Bracket

(B)\*4  
(D)\*4



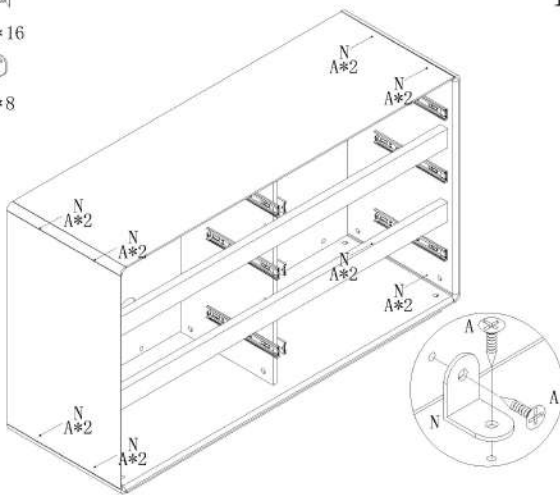
13

(A)\*36  
(M)\*6



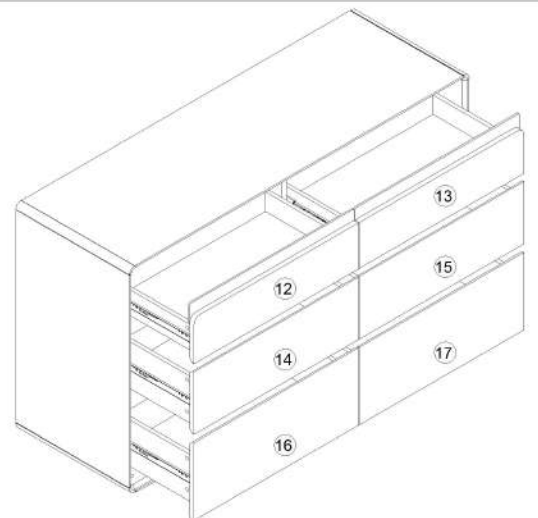
14

(A)\*16  
(N)\*8





15

16



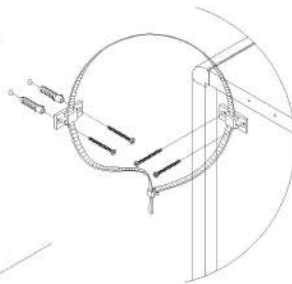
# LINSY 林氏家居

## 安装示意图/Assembly Instruction

产品名称 Model NO.	Anti-fall device
产品规格 Specification	-
安装工具 Tool	安装人数 Installer
	

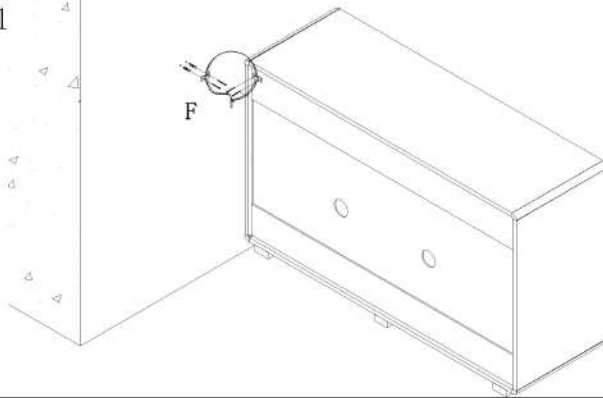


(F)\*1  
家具防倒器-白色  
Anti-fall device  
white



F处放大图  
Enlarged view at F

实体墙  
Solid wall



(P)\*99

### 孔位贴使用小贴士

产品安装完成后请贴上孔贴，多出的孔贴请保管好

Tips for using hole stickers:

After the product installation is completed, please attach the hole stickers. Please keep any extra hole stickers safe



1、擦干净孔位  
1. Clean the hole position thoroughly



2、贴上孔贴  
2. Attach hole stickers



3、24小时内勿碰水  
3. Do not touch water within 24 hours

