
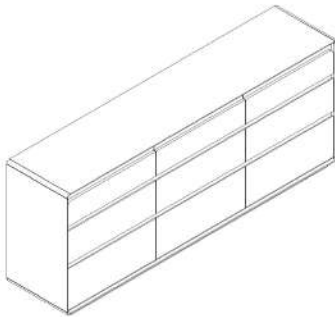


LINSY 林氏家居

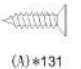
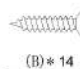
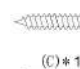









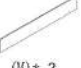

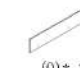

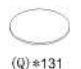
安装示意图/Assembly Instruction

产品名称 Model NO.	UM4E-A1(九斗柜)
产品规格 Specification	1782*399*715mm
安装工具 Tool	安装人数 Installer
	

注：为保证设计效果，部分尺寸为定制尺寸，不影响使用。



五金表/Hardware list

 (A)*131 自攻螺丝M3.5x14mm Self-tapping screw	 (B)*14 自攻螺丝M3.5x16mm Self-tapping screw	 (C)*13 自攻螺丝M4x35mm Self-tapping screw	 (D)*4 背板扣 Back Plate Buckle-White
 (E)*9 透明塑料垫片 Plastic gasket	 (F)*2 家具防倒器-白色 Anti-fall device white	 (G)*12 灰色毛毡脚垫 Footrest - Grey	 (H)*9 镜钉 Mirror nail
 (I)*131 二合一螺杆 2-in-1-screw	 (J)*131 大三合一锁 Three-in-one large lock	 (K)*25 木榫Ø8x30mm wood tenon	 (L)*9 三节滚珠导轨-10° three-section ball rail
 (M)*2 抽面亚克力L=578 Drawing Acrylic	 (N)*2 透气孔盖-白色 Vent cover - white	 (O)*1 抽面亚克力L=586 Drawing Acrylic	 (P)*8 L型角码14x21x1.5 L-shaped corner code
 (Q)*131 PVC孔贴 PVC hole sticker			

►使用本产品请靠墙放置。
►Please place this product against the wall.

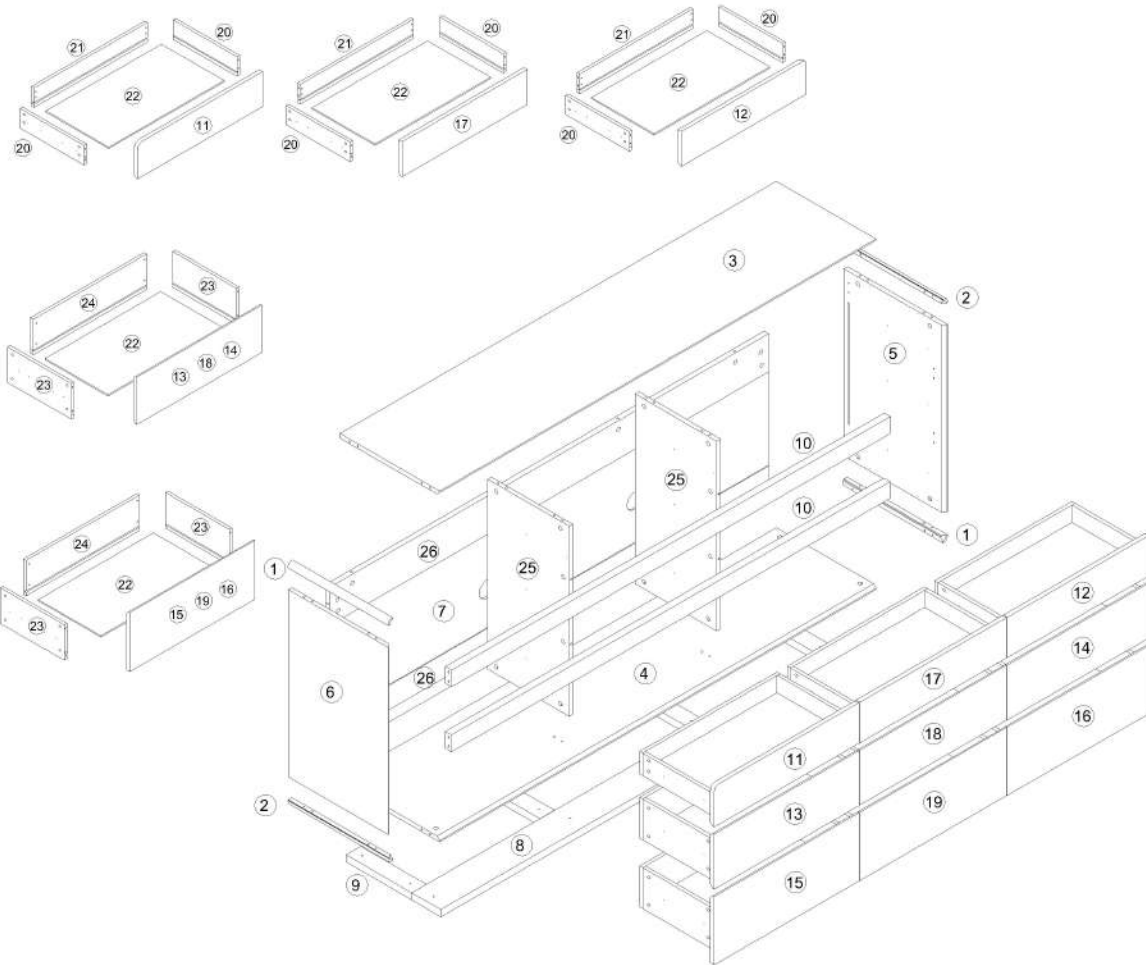
部件表/Parts List

编号NO.	名称Name	规格 (mm) Specification	数量 QTY	材质Material
①	转角木/左 Corner wood(L)	399*20*20	2	橡胶木 Rubber wood
②	转角木/右 Corner wood(R)	399*20*20	2	橡胶木 Rubber wood
③	面板 Top panel	1742*398*15	1	刨花板 Particle board
④	底板 Bottom board	1742*398*15	1	刨花板 Particle board
⑤	右侧板 Side board(R)	647*398*15	1	刨花板 Particle board
⑥	左侧板 Side board(L)	647*398*15	1	刨花板 Particle board
⑦	背板 Back board	1762*393*5	1	纤维板 Fiberboard
⑧	前脚条 Front foot strip	1693*116*25	1	刨花板 Particle board
⑨	侧脚条 Side foot strip	262*58*25	4	刨花板 Particle board
⑩	前拉条 Front brace	1752*58*25	2	刨花板 Particle board
⑪	左上抽屉面板 Upper left drawer panel	578*140*15	1	刨花板 Particle board
⑫	右上抽屉面板 Upper right drawer panel	578*140*15	1	刨花板 Particle board
⑬	左中抽屉面板 Left middle drawer panel	578*190*15	1	刨花板 Particle board
⑭	右中抽屉面板 Right middle drawer panel	578*190*15	1	刨花板 Particle board
⑮	左下抽屉面板 Lower left drawer panel	578*236*15	1	刨花板 Particle board
⑯	右下抽屉面板 Lower right drawer panel	578*236*15	1	刨花板 Particle board
⑰	中上抽屉面板 Middle upper drawer's panel	586*140*15	1	刨花板 Particle board
⑱	中中抽屉面板 Middle drawer's middle board	586*190*15	1	刨花板 Particle board
⑲	中下抽屉面板 Middle bottom drawer's panel	586*236*15	1	刨花板 Particle board
⑳	上抽屉侧板 Upper drawer's sideboard	290*78*15	6	刨花板 Particle board
㉑	上抽屉后板 Upper drawer's back board	548*78*15	3	刨花板 Particle board
㉒	抽屉底板 Drawer's Bottom board	528*300*5	9	纤维板 Fiberboard
㉓	下抽屉侧板 Lower drawer's sideboard	290*142*15	12	刨花板 Particle board
㉔	下抽屉后板 Down drawer's back board	548*142*15	6	刨花板 Particle board
㉕	中隔板 Middle elapboard	657*325*15	2	刨花板 Particle board
㉖	背拉条 Back brace	1752*137*15	2	刨花板 Particle board

UM4E-A1 (九斗柜)

产品分解图/
exploded drawing

部件表/Parts List



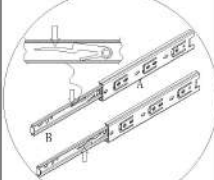
编号NO.	名称Name
①	转角木/左 Corner wood(L)
②	转角木/右 Corner wood(R)
③	面板 Top panel
④	底板 Bottom board
⑤	右侧板 Side board(R)
⑥	左侧板 Side board(L)
⑦	背板 Back board
⑧	前脚条 Front foot strip
⑨	侧脚条 Side foot strip
⑩	前拉条 Front brace
⑪	左上抽屉面板 Upper left drawer panel
⑫	右上抽屉面板 Upper right drawer panel
⑬	左中抽屉面板 Left middle drawer panel
⑭	右中抽屉面板 Right middle drawer panel
⑮	左下抽屉面板 Lower left drawer panel
⑯	右下抽屉面板 Lower right drawer panel
⑰	中上抽屉面板 Middle upper drawer's panel
⑱	中中抽屉面板 Middle drawer's middle board
⑲	中下抽屉面板 Middle bottom drawer's panel
⑳	上抽屉侧板 Upper drawer's sideboard
㉑	上抽屉后板 Upper drawer's back board
㉒	抽屉底板 Drawer's Bottom board
㉓	下抽屉侧板 Lower drawer's sideboard
㉔	下抽屉后板 Down drawer's back board
㉕	中隔板 Middle claphoard
㉖	背拉条 Back brace

UM4E-A1 (九斗柜)

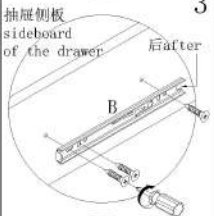
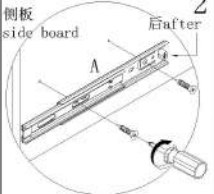
安装方法/

Installation method

阀门开关(下压为开)
Valve switch
(press down to open)

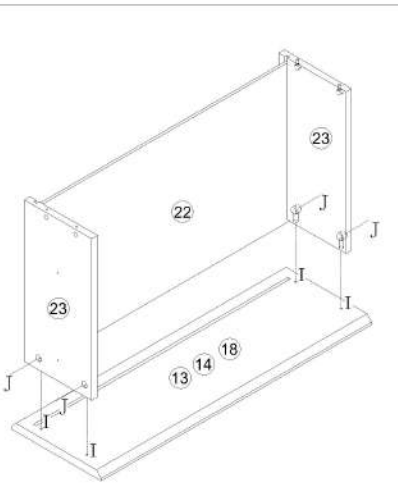
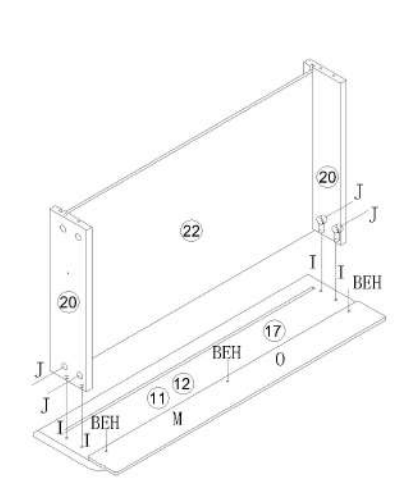


注: 先将A与B拆下来
Note: remove a and B first



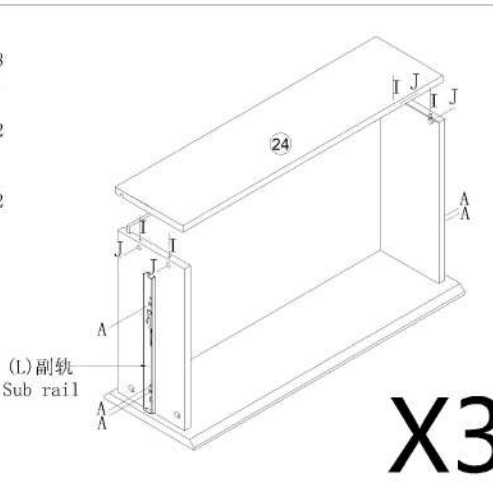
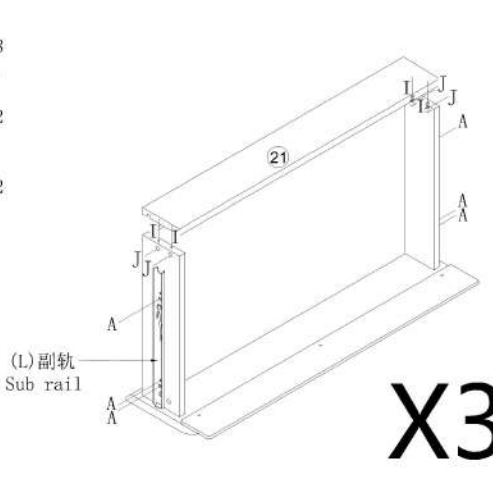
- (B)*9
- (E)*9
- (H)*9
- (M)*2
- (I)*12
- (J)*12
- (O)*1

- (I)*12
- (J)*12



- (A)*18
- (I)*12
- (J)*12
- (L)*3

- (A)*18
- (I)*12
- (J)*12
- (L)*3



X3

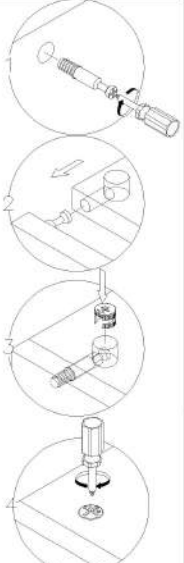
X3

2

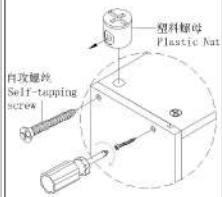
4

UM4E-A1 (九斗柜)

安装方法/
Installation method

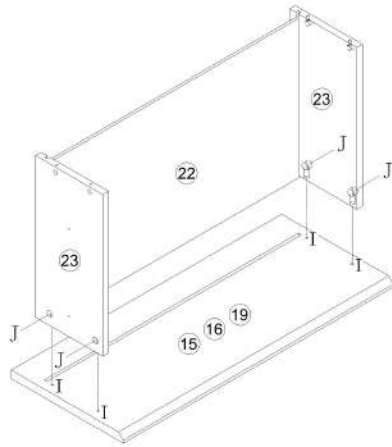


小二合一
small two-in-one

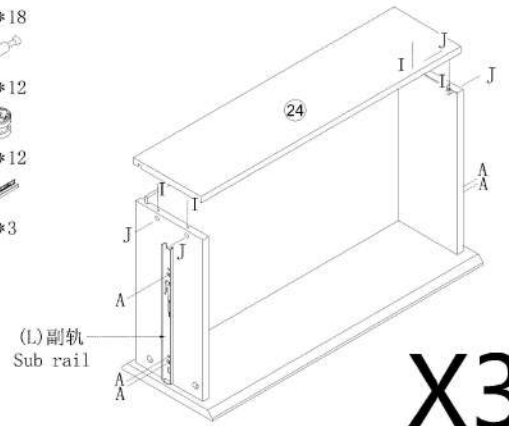


塑料螺母
Plastic Nut

- (I)*12
- (J)*12

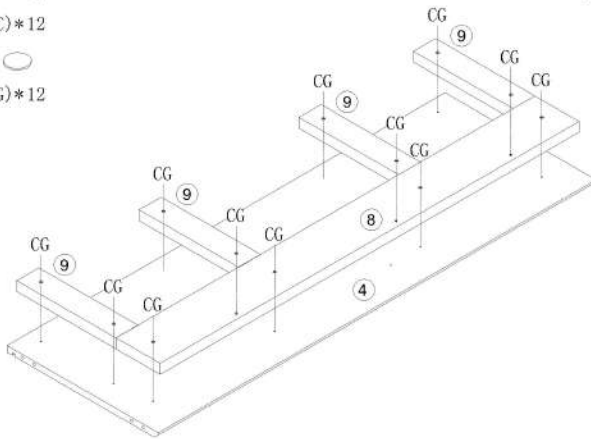


- (A)*18
- (I)*12
- (J)*12
- (L)*3

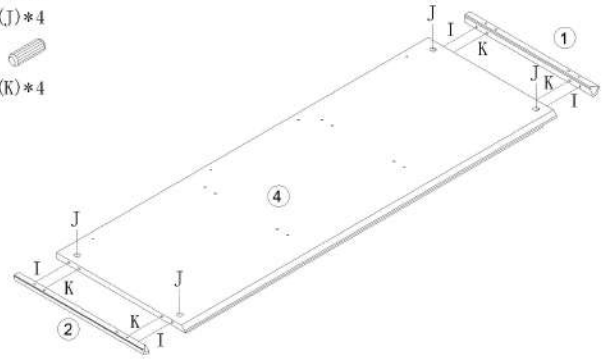


X3

- (C)*12
- (G)*12

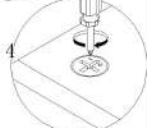
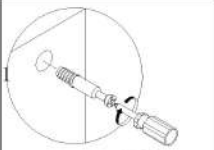


- (I)*4
- (J)*4
- (K)*4

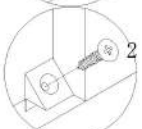


UM4E-A1 (九斗柜)

安装方法/
Installation method

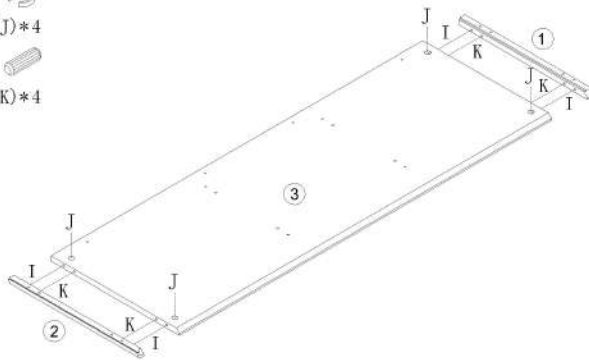


大二合一
two-in-one



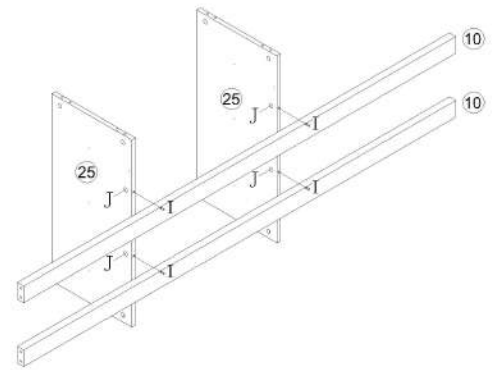
背板扣
Back Plate Buckle-White

- (I)*4
- (J)*4
- (K)*4



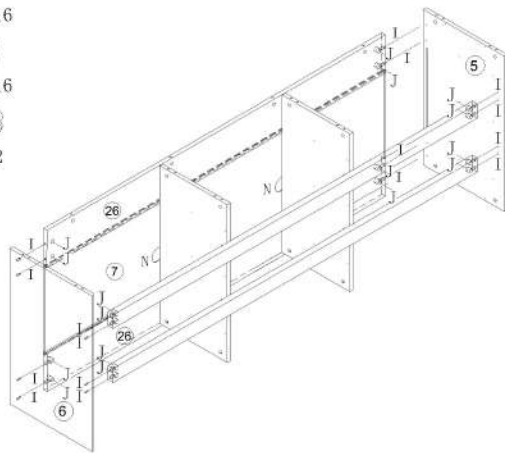
9

- (I)*4
- (J)*4



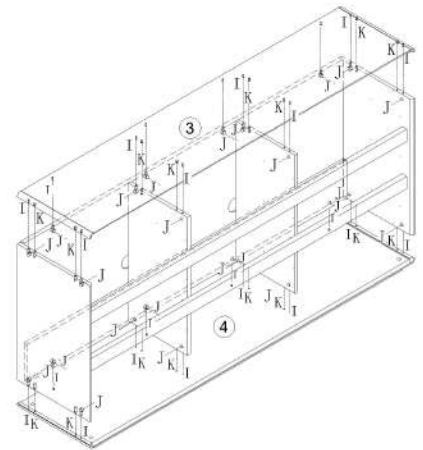
10

- (I)*16
- (J)*16
- (N)*2



11

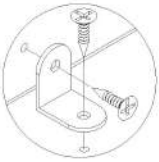
- (I)*24
- (J)*24
- (K)*16



12

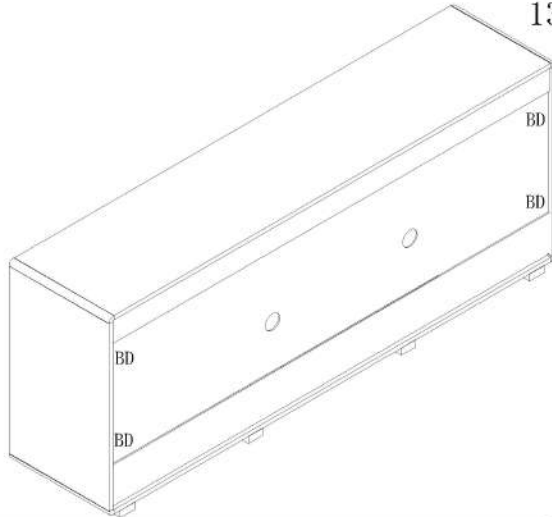
UM4E-A1 (九斗柜)

安装方法/
Installation method



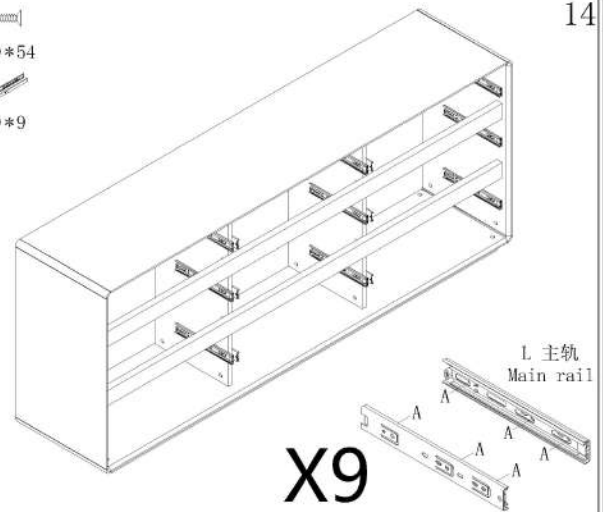
角码
Bracket

(B)*4
(D)*4



13

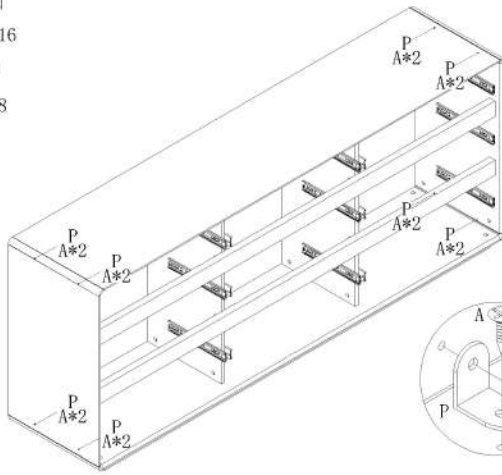
(A)*54
(L)*9



14

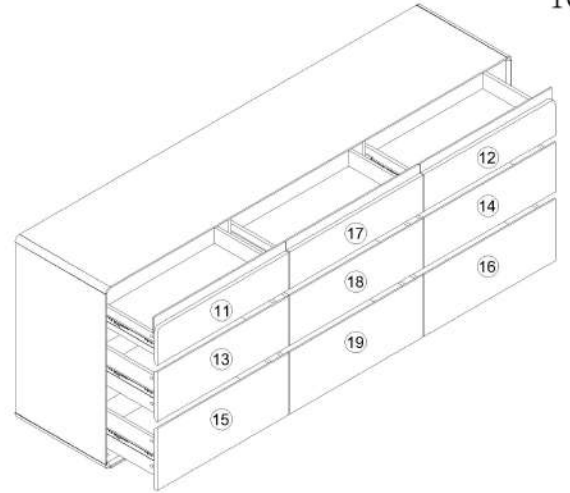
X9

(A)*16
(P)*8





15

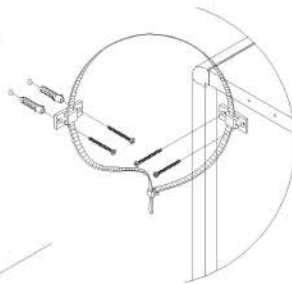
16



LINSY 林氏家居

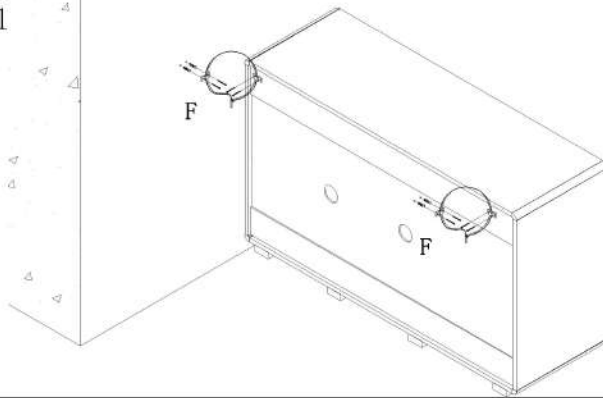
安装示意图/Assembly Instruction

产品名称 Model NO.	Anti-fall device
产品规格 Specification	-
安装工具 Tool	安装人数 Installer
	



F处放大图
Enlarged view at F

实体墙
Solid wall



(Q)*131

孔位贴使用小贴士

产品安装完成后请贴上孔贴，多出的孔贴请保管好

Tips for using hole stickers:

After the product installation is completed, please attach the hole stickers. Please keep any extra hole stickers safe

