

LINSY 林氏家居

安装示意图/Assembly Instruction

产品名称 Model NO. 方形茶几

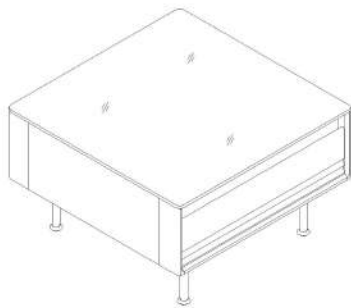
产品型号 Product Model UM2L-A

尺寸规格 Specification (580*580*360)mm

安装工具 Tool 安装人数 Installer



注：为保证设计效果，部分尺寸为定制尺寸，不影响使用。



五金表/Hardware list

(A)* 1 三节滚珠导轨-10" three-section ball rail	(B)* 1 玻璃面板 Glass panel	(C)* 4 五金脚 hardware feet	(D)* 1 抽面亚克力 Drawing Acrylic
(E)* 38 自攻螺丝M3.5x12mm Self-tapping screw	(F)* 12 L型角码14x21x1.5 L-shaped corner code	(G)* 3 自攻螺丝M3.5x16mm Self-tapping screw	(H)* 16 斜边十字螺帽-M6x12 Self-tapping screw bevel cross screw
(I)* 3 透明塑料垫片 Plastic gasket	(J)* 40 二合一螺杆 2-in-1-screw	(K)* 40 大三合一锁饼 Three-in-one large lock	(L)* 6 透明圆形玻璃防滑垫 Round rubber pad
(M)* 3 镜钉 Mirror nail	(N)* 25 木榫Ø8x30mm wood tenon	(O)* 4 小二合一杆 small two-in-one rod	(P)* 4 小二合一锁饼 small three-in-one lock
(Q)* 4 塑料螺母 Plastic Nut	(R)* 4 自攻螺丝M4x40mm Self-tapping screw		

部件表/Parts List

编号NO.	名称Name	规格 (mm) Specification	数量 QTY	材质Material
①	左侧柱 Side column(L)	195*70*15	2	橡胶木Rubber wood
②	右侧柱 Side column(R)	195*70*15	2	橡胶木Rubber wood
③	侧板 Side board	436*195*15	2	刨花板Particle board
④	中隔板 Middle clapboard	546*66*15	1	刨花板Particle board
⑤	底板 Bottom board	436*546*15	1	刨花板Particle board
⑥	底板加条 Bottom plate banding	546*70*15	2	橡胶木Rubber wood
⑦	顶拉条 Top brace	546*95*15	2	刨花板Particle board
⑧	抽屉面板 Drawer's top panel	542*133*20	1	橡胶木Rubber wood
⑨	抽屉右侧板 Drawer's side board(R)	295*78*12	1	刨花板Particle board
⑩	抽屉左侧板 Drawer's side board(L)	295*78*12	1	刨花板Particle board
⑪	抽屉后板 Drawer's Back board	496*78*12	1	刨花板Particle board
⑫	抽屉底板 Drawer's Bottom board	506*291*5	1	纤维板Fiberboard
⑬	假抽屉面板 Fake Drawer's top panel	546*180*25	1	刨花板Particle board

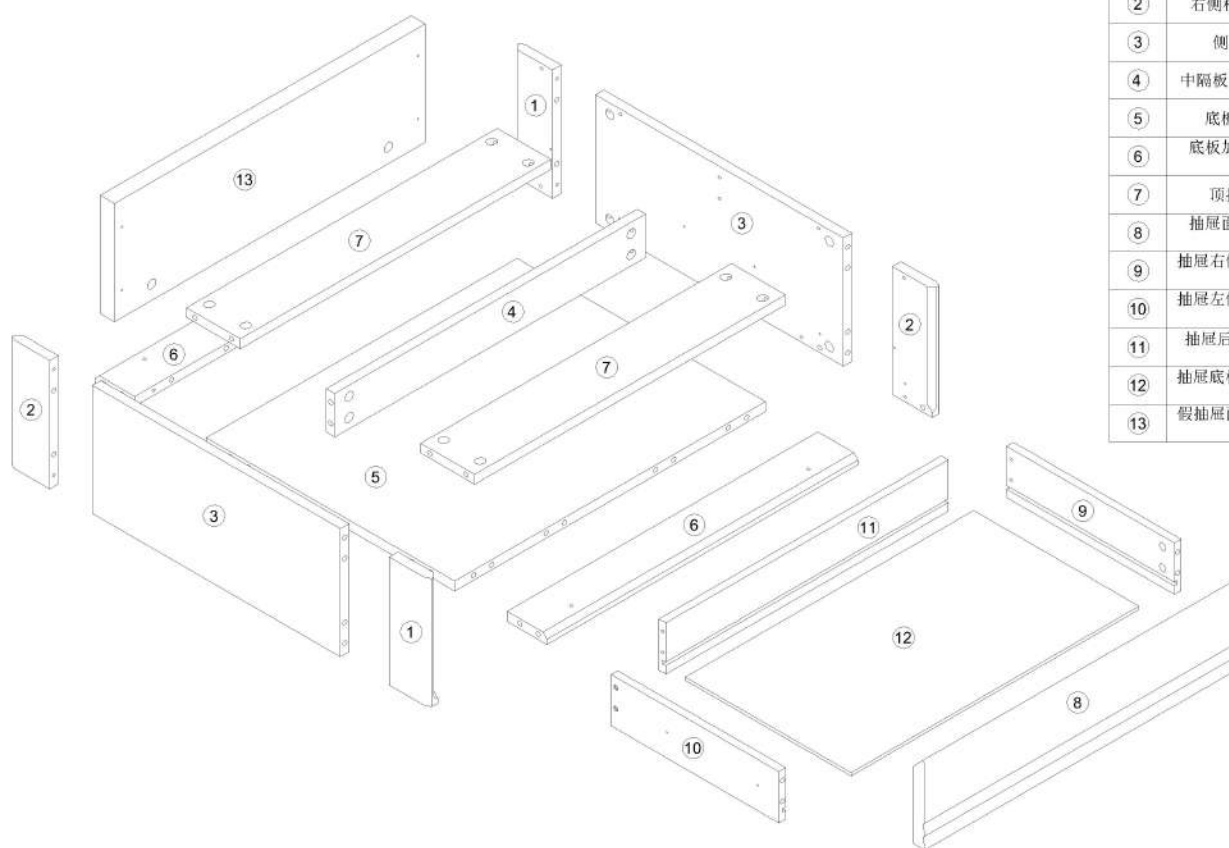
►注：趟门和抽屉都是设计所需设计缝，小心夹伤！

Note: The doors and drawers are designed with necessary seams. Be careful not to pinch!

UM2L-A(方形茶几)

产品分解图/
exploded drawing

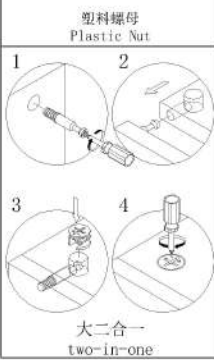
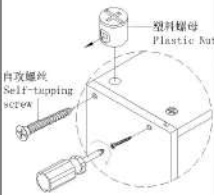
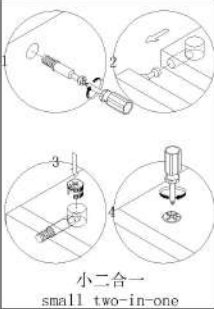
部件表/Parts List



编号NO.	名称Name
①	左侧柱 Side column(L)
②	右侧柱 Side column(R)
③	侧板 Side board
④	中隔板 Middle clapboard
⑤	底板 Bottom board
⑥	底板加条 Bottom plate banding
⑦	顶拉条 Top brace
⑧	抽屉面板 Drawer's top panel
⑨	抽屉右侧板 Drawer's side board(R)
⑩	抽屉左侧板 Drawer's side board(L)
⑪	抽屉后板 Drawer's Back board
⑫	抽屉底板 Drawer's Bottom board
⑬	假抽屉面板 Fake Drawer's top panel

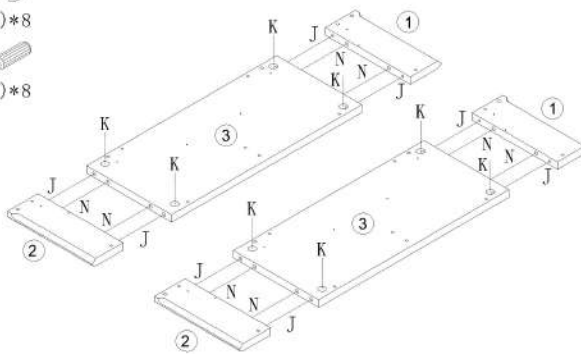
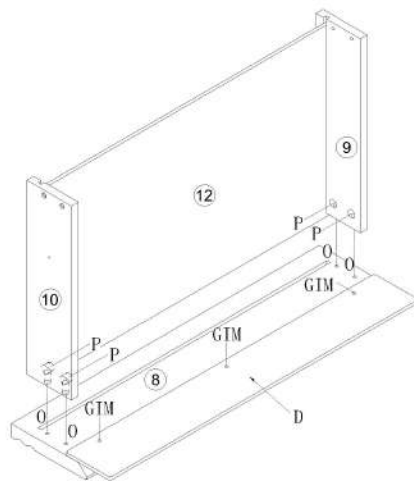
UM2L-A(方形茶几)

安装方法/
Installation method



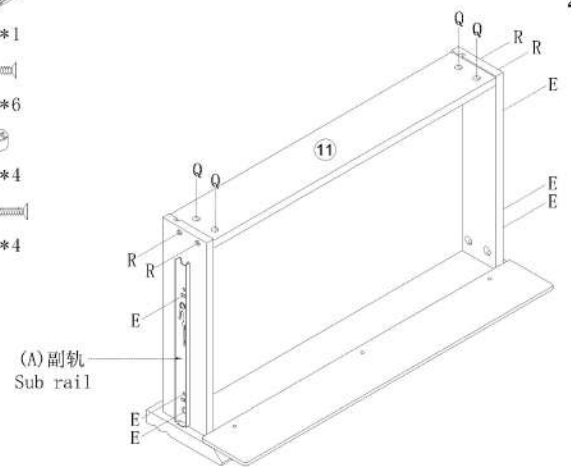
- (D)*1
- (G)*3
- (I)*3
- (M)*3
- (O)*4
- (P)*4

- (J)*8
- (K)*8
- (N)*8



1

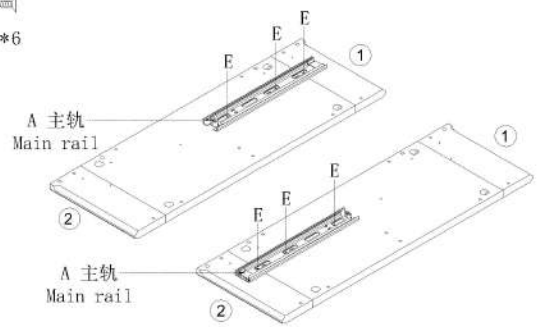
- (A)*1
- (E)*6
- (Q)*4
- (R)*4



2

3

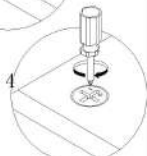
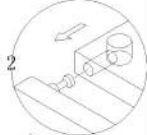
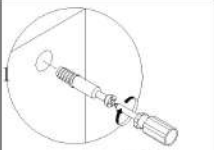
- (A)*1
- (E)*6



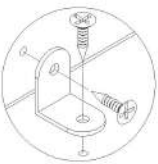
4

UM2L-A(方形茶几)

安装方法/
Installation method

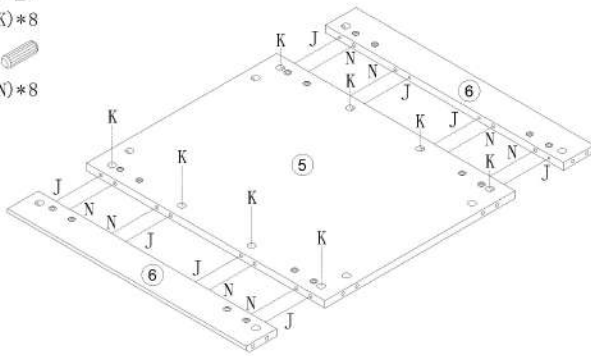


大二合一
two-in-one



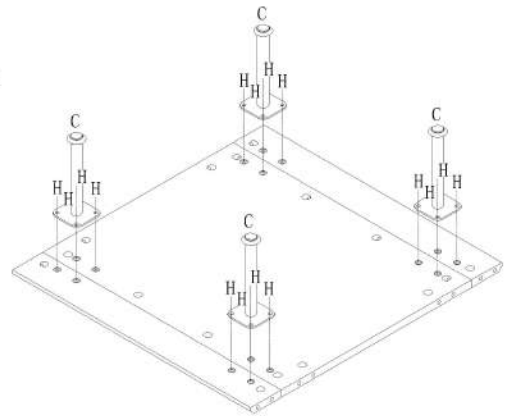
角码
Bracket

- (J)*8
- (K)*8
- (N)*8



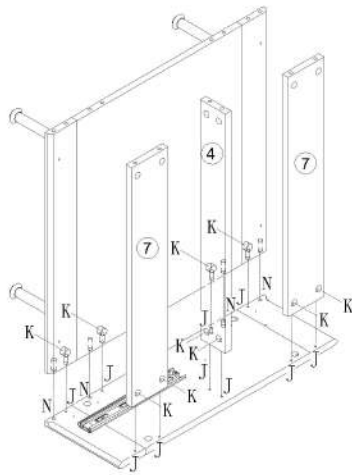
5

- (C)*4
- (H)*16



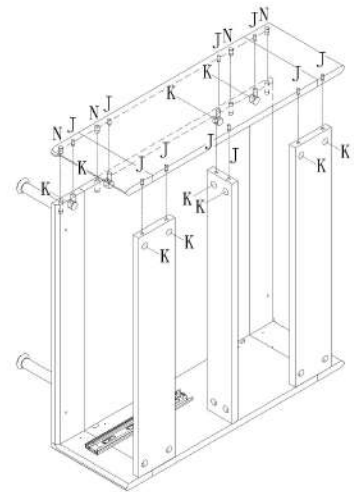
6

- (J)*10
- (K)*10
- (N)*4



7

- (J)*10
- (K)*10
- (N)*4



8

UM2L-A(方形茶几)

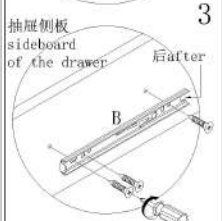
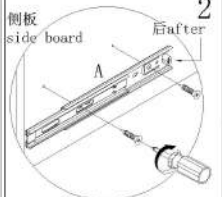
安装方法/

Installation method

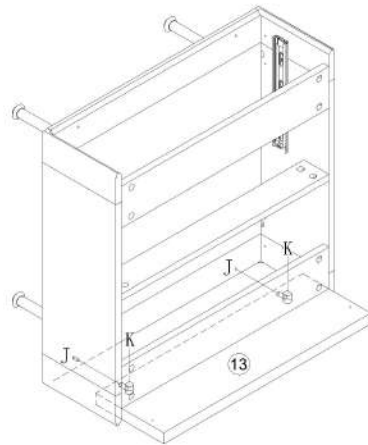
1 阀门开关(下压为开)
Valve switch
(press down to open)



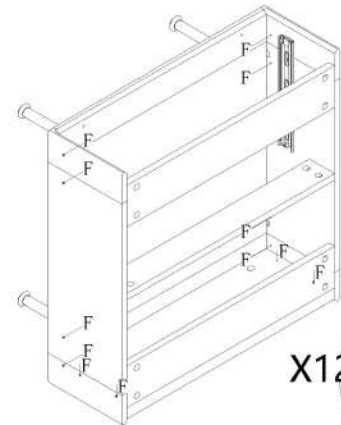
注: 先将A与B拆下来
Note: remove a and B first



(J)*2
(K)*2

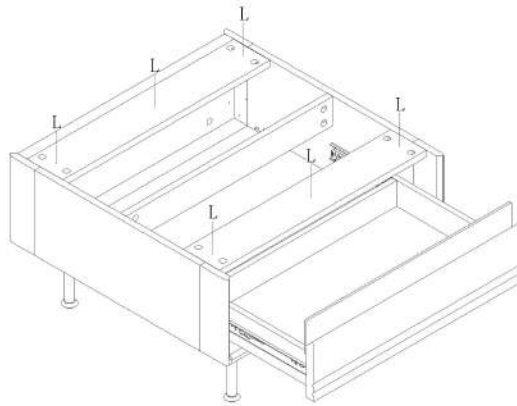


9 (E)*24
(F)*12

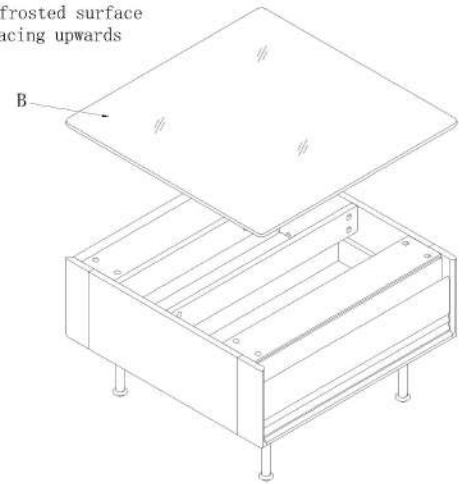


X12

(L)*6



11 (B)*1 磨砂面朝上
The frosted surface
is facing upwards



10

12