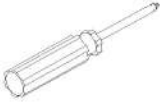
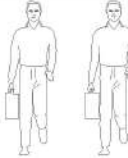


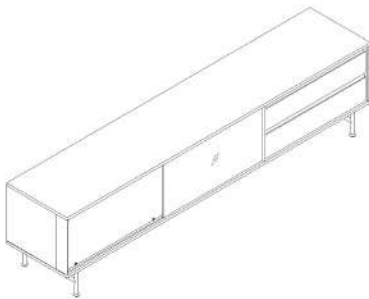
# LINSY 林氏家居

## 五金表/Hardware list

### 安装示意图/Assembly Instruction

产品名称 Model NO.	电视柜
产品型号 Product Model	UM2M-A 1.8m
尺寸规格 Specification	(1800*398*500)mm
安装工具 Tool	安装人数 Installer
	

注：为保证设计效果，部分尺寸为定制尺寸，不影响使用。



 (A)* 4 层板托 shelf support	 (B)* 36 二合一螺杆 2-in-1-screw	 (C)* 36 大三合一锁饼 Three-in-one large lock	 (D)* 34 木榫08x30mm wood tenon	 (E)* 8 小二合一杆 small two-in-one rod	 (F)* 8 小三合一锁饼 small three-in-one lock	 (G)* 8 塑料螺母 Plastic Nut	 (H)* 8 自攻螺丝M4x10mm Self-tapping screw
 (I)* 8 背板扣 Back Plate Buckle-White	 (J)* 8 自攻螺丝M3.5x16mm Self-tapping screw	 (K)* 3 自攻螺丝M4x20mm Self-tapping screw	 (L)* 8 自攻螺丝M4x30mm Self-tapping screw	 (M)* 3 镜钉 Mirror nail	 (N)* 42 自攻螺丝M3.5x12mm Self-tapping screw	 (O)* 8 透明防撞垫片010x1.5 Transparent anti-collision gasket	 (P)* 8 斜边十字螺杆-M6x12 Bevel cross screw
 (Q)* 2 斜边十字螺杆M8x35 bevel cross screw	 (R)* 2 调节脚 Adjusting foot	 (S)* 3 透明塑料垫片 PVC rubber plug	 (T)* 1 穿线孔盖 Threading cover	 (U)* 2 趟门轮 Gate wheel	 (V)* 1 抽面亚克力 Pull face acrylic	 (W)* 4 手拧螺丝 Hand screw bolt	 (X)* 1 门板玻璃 Door panel glass
 (Y)* 1 门板亚克力 Door panel acrylic	 (Z)* 2 三节滚珠导轨-10" three-section ball rail						

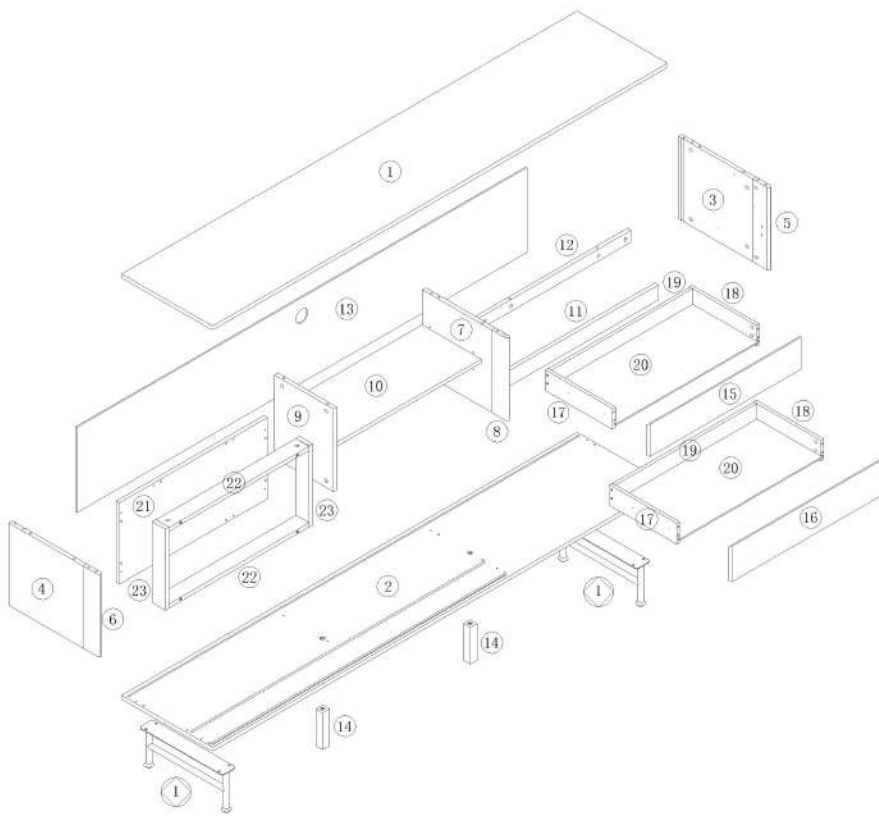
UM2M-A 1.8m		部件表/Parts List					部件表/Parts List				
安装方法/ Installation method		编号NO.	名称Name	规格 (mm) Specification	数量QTY	材质Material	编号NO.	名称Name	规格 (mm) Specification	数量QTY	材质Material
		UM2M-A 1.8m电视柜柜体 UM2M-A A 1.8m TV cabinet cabinet					UM2M-A 电视柜五金 UM2M-A TV Cabinet hardware				
		①	面板Top panel	1800*398*15	1	刨花板 Particle board	①	脚架bipod	371*60*156	2	不锈钢Stainless Steel
		②	底板Bottom board	1800*398*15	1	刨花板 Particle board					
		③	右侧板Side board(R)	314*326*15	1	刨花板 Particle board					
		④	左侧板Side board(L)	314*326*15	1	刨花板 Particle board					
		⑤	右侧柱Side column(R)	314*70*15	1	橡胶木 Rubber wood					
		⑥	左侧柱Side column(L)	314*70*15	1	橡胶木 Rubber wood					
		⑦	右中侧板Middle side board(R)	314*306*15	1	刨花板 Particle board					
		⑧	中侧柱Center side column	314*70*15	1	橡胶木 Rubber wood					
		⑨	左中侧板Middle side board(L)	314*260*15	1	刨花板 Particle board					
		⑩	活动层板Movable shelf	565*259*15	1	刨花板 Particle board					
		⑪	右拉条Brace(R)	606*58*15	1	刨花板 Particle board					
		⑫	上拉条Top brace	606*45*15	1	刨花板 Particle board					
		⑬	背板Back board	1778*324*5	1	纤维板 Fiberboard					
		⑭	中脚Middle foot	140*30*30	2	橡胶木 Rubber wood					
		⑮	上抽屉面板Upper drawer's panel	602*122*15	1	刨花板 Particle board					
		⑯	下抽屉面板Bottom drawer's panel	602*135*15	1	刨花板 Particle board					
		⑰	抽屉左侧板Drawer's side board(L)	295*78*12	2	刨花板 Particle board					
		⑱	抽屉右侧板Drawer's side board(R)	295*78*12	2	刨花板 Particle board					
		⑲	抽屉后板Drawer's Back board	556*78*12	2	刨花板 Particle board					
		⑳	抽屉底板Drawer's Bottom board	566*291*5	2	纤维板 Fiberboard					
		㉑	小背板Small back board	581*308*15	1	刨花板 Particle board					
		㉒	下横档Lower rung	549*58*15	2	刨花板 Particle board					
		㉓	右档板Baffle(R)	308*58*15	2	刨花板 Particle board					

UM2M-A 1.8m

产品分解图/exploded drawing

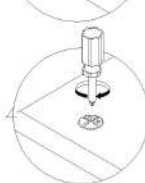
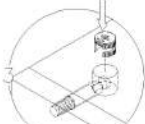
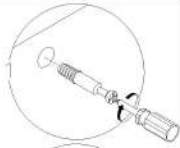
部件表/Parts List

编号NO.	名称Name	编号NO.	名称Name
UM2M-A 1.8m电视柜柜体		UM2M-A 电视柜五金	
①	面板Top panel	①	脚架Bipod
②	底板Bottom board		
③	右侧板Side board(R)		
④	左侧板Side board(L)		
⑤	右侧柱Side column(R)		
⑥	左侧柱Side column(L)		
⑦	右中侧板Middle side board(R)		
⑧	中侧柱Center side column		
⑨	左中侧板Middle side board(L)		
⑩	活动层板Movable shelf		
⑪	右拉条Brace(R)		
⑫	上拉条Top brace		
⑬	背板Back board		
⑭	中脚Middle foot		
⑮	上抽屉面板Upper drawer's panel		
⑯	下抽屉面板Bottom drawer's panel		
⑰	抽屉左侧板Drawer's side board(L)		
⑱	抽屉右侧板Drawer's side board(R)		
⑲	抽屉后板Drawer's Back board		
⑳	抽屉底板Drawer's Bottom board		
㉑	小背板Small back board		
㉒	下横档Lower rung		
㉓	右档板Baffle(R)		

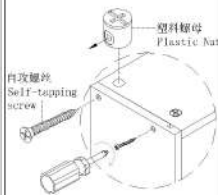


UM2M-A 1.8m

安装方法/  
Installation method



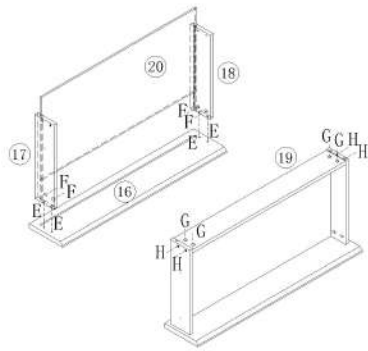
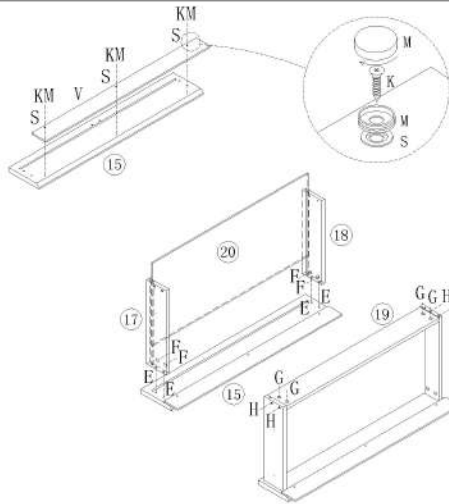
小二合一/two-in-one



塑料螺母  
Plastic Nut

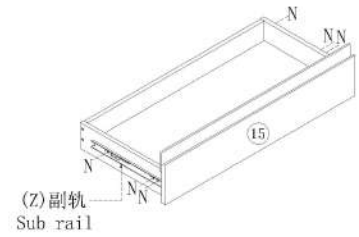
- (E)\*4
- (F)\*4
- (G)\*4
- (H)\*4
- (K)\*3
- (M)\*3
- (S)\*3
- (V)\*1

- (E)\*4
- (F)\*4
- (G)\*4
- (H)\*4



1

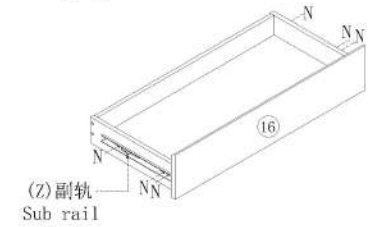
- (N)\*6
- (Z)\*1



2

3

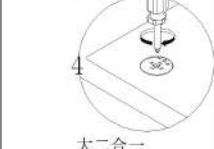
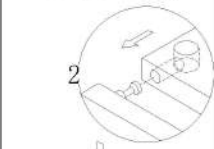
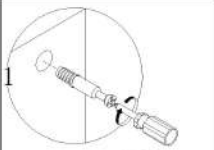
- (N)\*6
- (Z)\*1



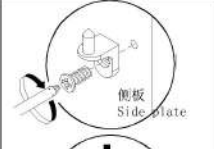
4

UM2M-A 1.8m

安装方法/  
Installation method



大二合一  
two-in-one

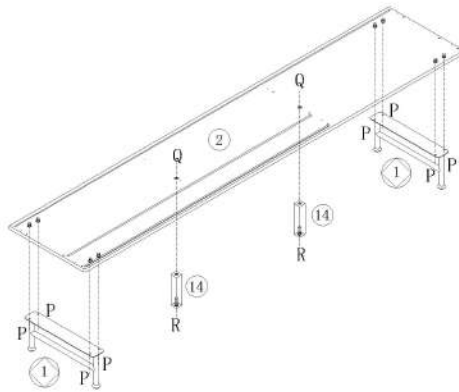


侧板  
Side plate

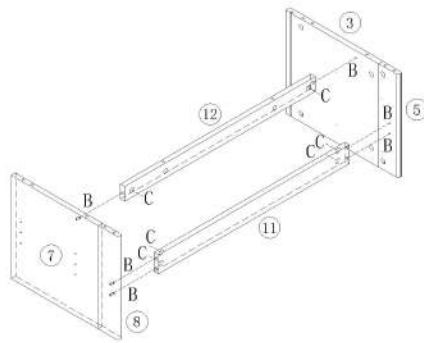


层板托  
shelf support

- (P)\*8
- (Q)\*2
- (R)\*2

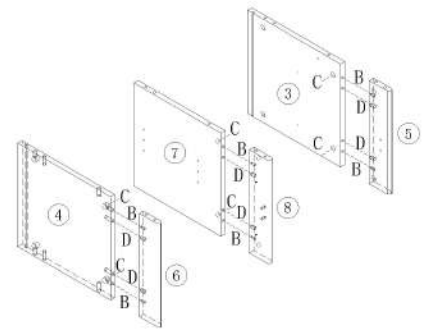


- (B)\*6
- (C)\*6



5

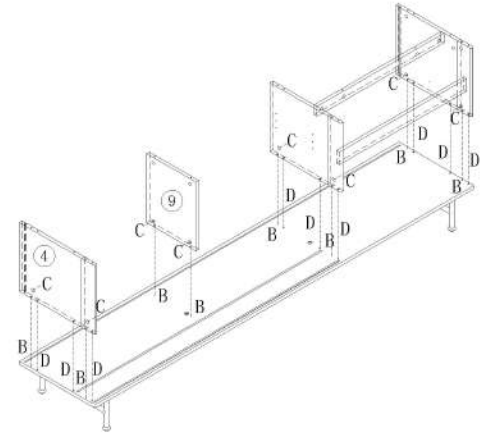
- (B)\*6
- (C)\*6
- (D)\*6



6

7

- (B)\*8
- (C)\*8
- (D)\*9



8

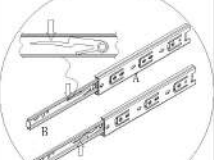
UM2M-A 1.8m



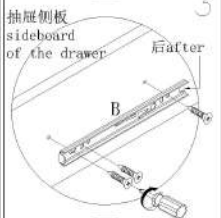
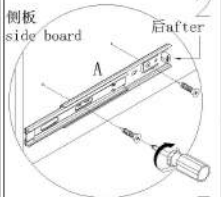
安装方法/

Installation method

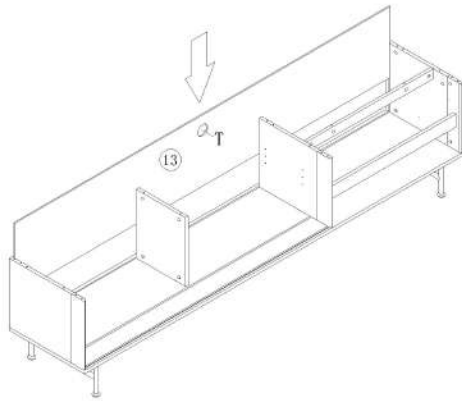
阀门开关(下压为开)  
Valve switch  
(press down to open)



注: 先将A与B拆下来  
Note: remove a and B first

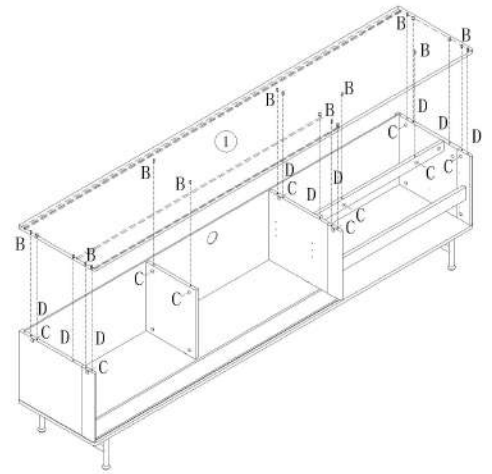


注: 将B对准A后推进去  
Note: align B with a  
and push it in  
三节滚珠导轨  
three-section ball rail

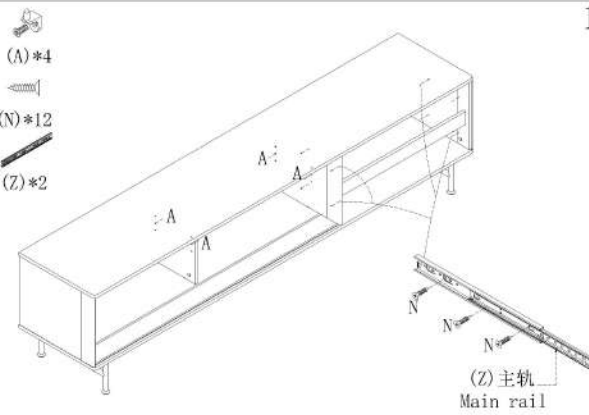


9

- (B)\*10
- (C)\*10
- (D)\*9



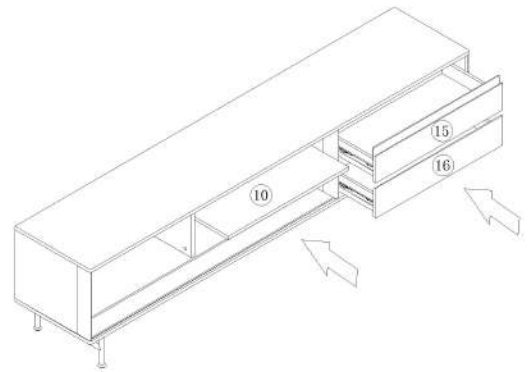
10



11

- (A)\*4
- (N)\*12
- (Z)\*2

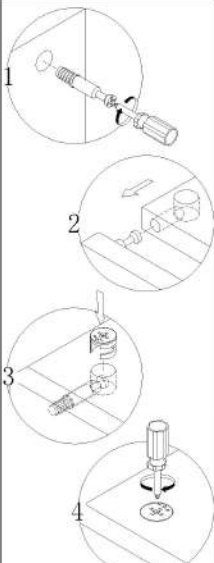
(Z)主轨  
Main rail



12

UM2M-A 1.8m

安装方法/  
Installation method



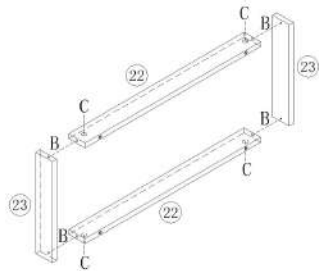
大二合一  
two-in-one



(B)\*4

(C)\*4

(C)\*4

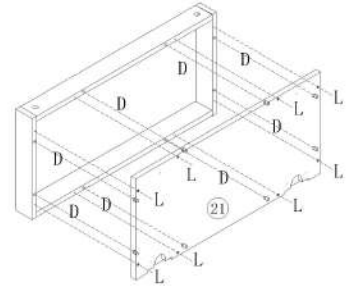


13



(D)\*8

(L)\*8

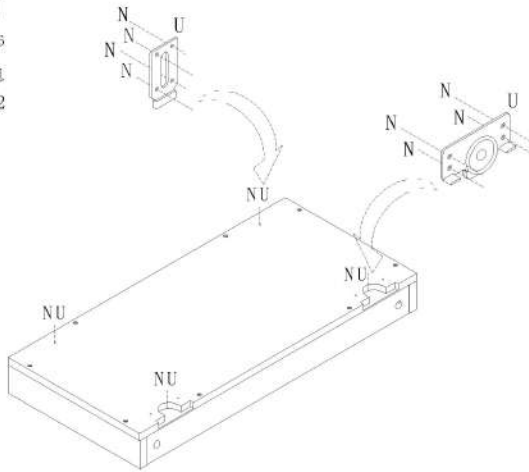


14



(O)\*16

(U)\*2

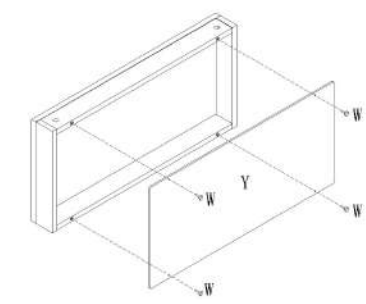


15



(W)\*4

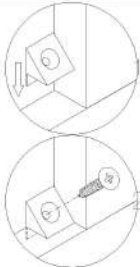
(Y)\*1



16

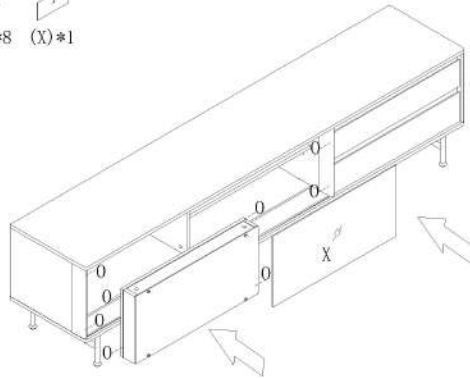
UM2M-A 1.8m

安装方法/  
Installation method



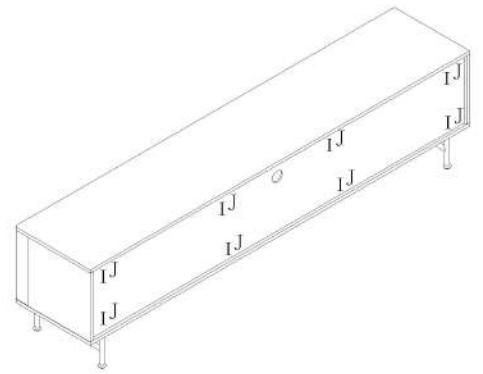
背板扣  
Back Plate Buckle-White

(O)\*8 (X)\*1



17

(I)\*8  
 (J)\*8



18

19



警告: 抽屉面板与柜体有设计所需的开启间隙, 小心夹伤  
Warning: The drawer panel and the cabinet have the opening gap required by the design, beware of pinching