

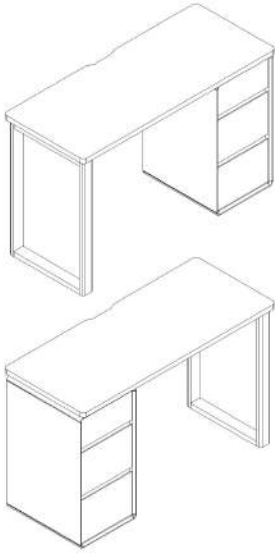


LINSY 林氏家居


安装示意图/Assembly Instruction

产品名称 Model NO.	UM3V-A
产品规格 Specification	1200*500*758 mm
安装工具 Tool	安装人数 Installer
	



提示：产品可左右互换安装
 Tips: The product can be installed interchangeably from left to right.

五金表/Hardware list

 (A)* 25 二合一螺钉 2-in-1-screw	 (B)* 25 大三合一锁饼 Three-in-one large lock	 (C)* 13 小三合一锁饼 3-in-1 small lock	 (D)* 13 小二合一杆 small two-in-one rod
 (E)* 17 木榫Ø6x30mm wood tenon	 (F)* 13 自攻螺丝M4x40mm Self-tapping screw	 (G)* 13 塑料螺母 Plastic Nut	 (H)* 55 自攻螺丝M3.5x12mm Self-tapping screw
 (I)* 4 背板扣 Back Plate Backlo-White	 (J)* 4 自攻螺丝M3.5x16mm Self-tapping screw	 (K)* 1 透气孔盖-白色 Vent cover - white	 (L)* 8 斜边内六角螺帽M6x45 Beveled hexagon socket head screw
 (M)* 1 内六角扳手4mm spacer-4mm hex	 (N)* 8 自攻螺丝M4x20mm Self-tapping screw	 (O)* 6 脚垫-灰色 Footrest - grey	 (P)* 8 L型角码14x21x1.5 L-shaped corner code
 (Q)* 1 家具防倒器-白色 Anti-fall device white	 (R)* 3 三节滚珠导轨-12" three-section ball roll		

部件表/Parts List

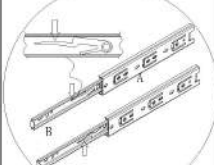
编号NO.	名称Name	规格 (mm) Specification	数量QTY	材质Material
①	转角木/左 Corner connection wood(L)	460*20*20	2	实木 Wood
②	转角木/右 Corner connection wood(R)	460*20*20	2	实木 Wood
③	附柜面板 Attached counter board	308*459*15	1	人造板 WBP
④	附柜左侧板 Sideboard of attached cabinet(L)	660*459*15	1	人造板 WBP
⑤	附柜右侧板 Sideboard of attached cabinet(R)	660*459*15	1	人造板 WBP
⑥	附柜底板 Attached bottom board	308*459*15	1	人造板 WBP
⑦	附柜背板 Attached back board	679*328*5	1	人造板 WBP
⑧	拉条 Brace	318*58*15	2	人造板 WBP
⑨	饰板 Decorating plate	265*398*15	2	人造板 WBP
⑩	上抽屉面板 Upper drawer's panel	314*154*15	1	人造板 WBP
⑪	上抽屉左侧板 Upper drawer's side board(L)	340*110*12	1	人造板 WBP
⑫	上抽屉右侧板 Upper drawer's side board(R)	340*110*12	1	人造板 WBP
⑬	上抽屉后板 Drawer top panel	268*110*12	1	人造板 WBP
⑭	抽屉底板 Drawer's Bottom board	278*336*5	3	人造板 WBP
⑮	下抽屉面板 Bottom drawer's panel	314*230*15	2	人造板 WBP
⑯	下抽屉左侧板 Bottom drawer's side board(L)	340*142*12	2	人造板 WBP
⑰	下抽屉右侧板 Bottom drawer's side board(R)	340*142*12	2	人造板 WBP
⑱	下抽屉后板 Drawer bottom bracket	268*142*12	2	人造板 WBP
⑲	面板 Top panel	1200*500*25	1	人造板 WBP
⑳	脚框 Foot frame	730*160*60	1	实木 Wood

UM3V-A

安装方法/

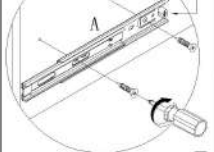
Installation method

阀门开关(下压为开)
Valve switch
(press down to open)

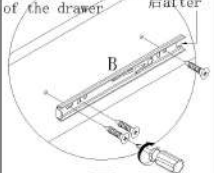


注: 先将A与B拆下来
Note: remove a and B first

侧板
side board

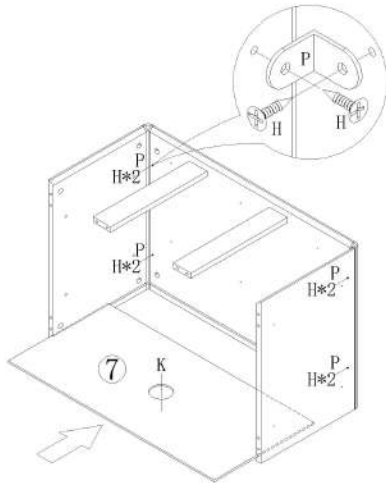


抽屉侧板
sideboard
of the drawer

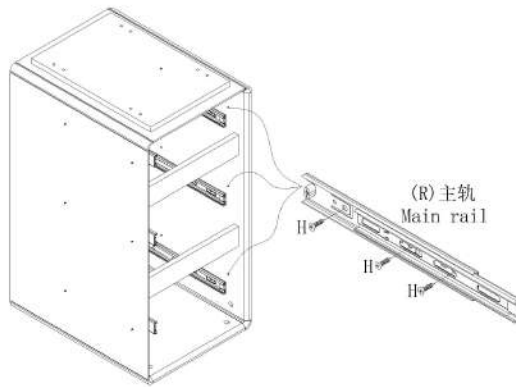


注: 将B对准A后推进去
Note: align B with a
and push it in
三节滚珠导轨
three-section ball rail

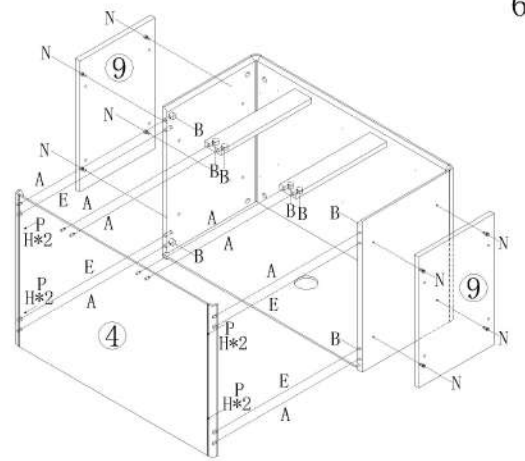
- (K)*1
- (H)*8
- (P)*4



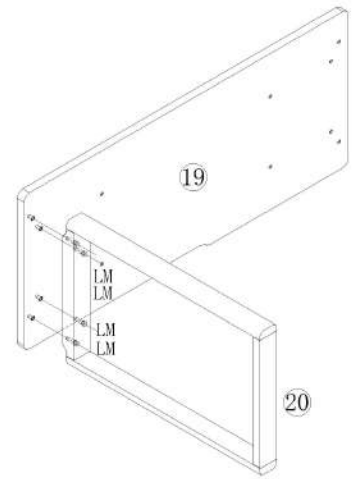
- (H)*18
- (R)*3



- (A)*8
- (B)*8
- (E)*4
- (N)*8
- (H)*8
- (P)*4



- (L)*4
- (M)*1

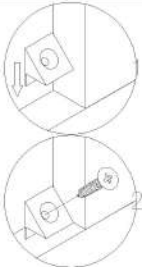


6

8

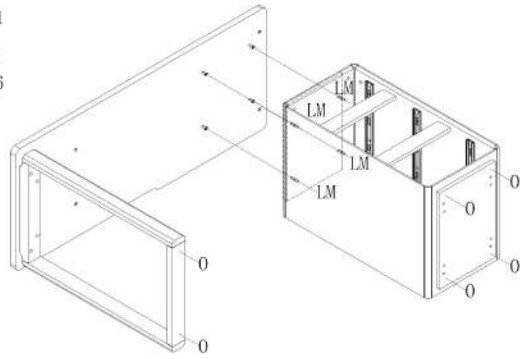
UM3V-A

安装方法/
Installation method

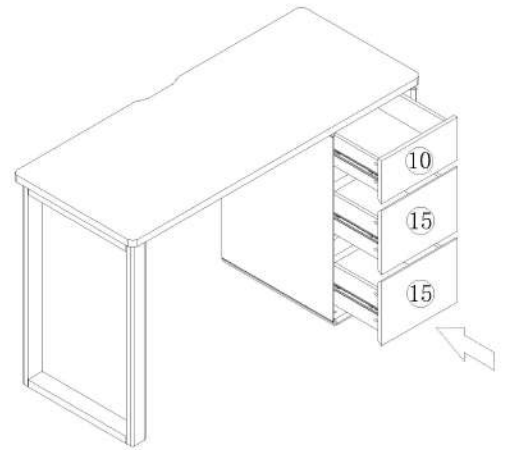


背板扣
Back Plate Buckle-White

- (L)*4
- (M)*1
- (O)*6

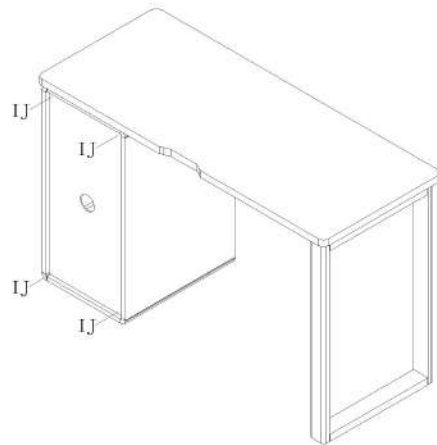


9

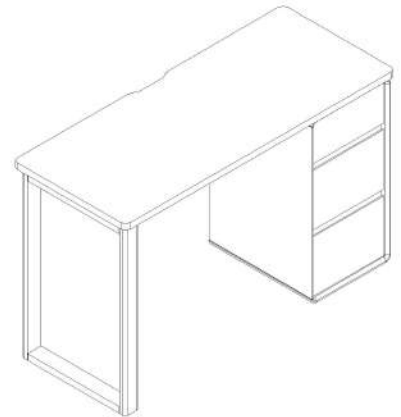


10

- (I)*4
- (J)*4



11

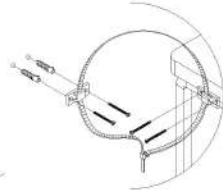
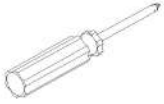


12

LINSY 林氏家居

安装示意图/Assembly Instruction

产品名称 Model NO.	Anti-fall device
产品规格 Specification	UM3V-A
安装工具 Tool	安装人数 Installer



Q处放大图
Enlarged view at Q

实体墙
Solid wall

