



LINSY 林氏家居

五金表/Hardware list

部件表/Parts List

安装示意图/Assembly Instruction

产品名称 Model NO.	UM5V-B (1.2m)
产品规格 Specification	1200*600*753 mm
安装工具 Tool	安装人数 Installer
	

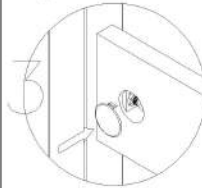


 (A)* 1 开口扳手14mm Wrench- Open End Wrench	 (B)* 10 五合一孔盖-白色 Five in one plastic socket white	 (C)* 10 五合一月牙 5-in-1 screw(28x104, 5)	 (D)* 10 外六角螺母M8 Hexagon Nut colored zinc
 (E)* 10 全牙螺杆-M8x80mm screw- color zinc	 (F)* 6 斜边内六角螺杆M6x55 beveled longer socket head screw	 (G)* 1 内六角扳手4mm spanner- (flat) hex	 (H)* 11 大三合一锁饼 Three-in-one large lock
 (I)* 11 二合一螺杆 2-in-1-screw	 (J)* 8 木榫Ø8x30mm wood tenon	 (K)* 4 9厘透明防滑PVC脚垫 Rubber stopper	 (L)* 2 L型角码 L-shaped corner code
 (M)* 4 自攻螺丝M3.5x12mm Self-tapping screw	 (N)* 1 家具防倒器-白色 Anti-fall device- white		

编号NO.	名称Name	规格 (mm) Specification	数量QTY	材质Material
①	面板 Top panel	1200*600*25	1	刨花板 Particle board
②	下横档 Bottom brace	1120*129*25	1	刨花板 Particle board
③	前立水 Front apron	1120*60*25	1	橡胶木 Rubber wood
④	下拉条 Bottom brace	1120*60*25	1	橡胶木 Rubber wood
⑤	下层板 Lower shelf	1120*146*15	1	刨花板 Particle board
⑥	底拉条 Bottom brace	448*58*25	1	刨花板 Particle board
⑦	左脚框 Foot frame(L)	723*575*30	1	橡胶木 Rubber wood
⑧	右脚框 Foot frame(R)	723*575*30	1	橡胶木 Rubber wood

UM5V-B (1.2m)

安装方法/
Installation method



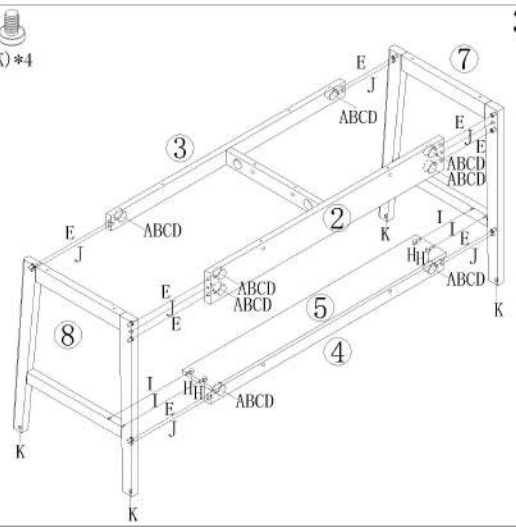
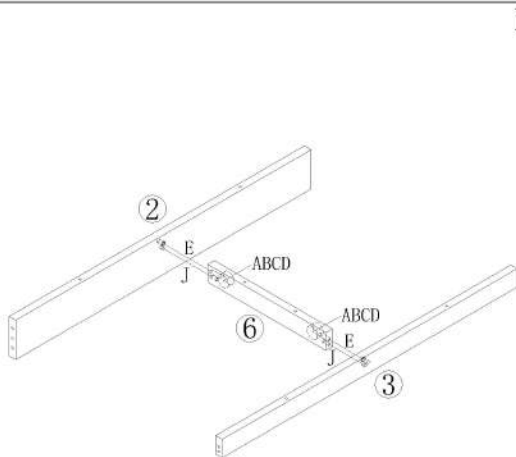
五合一
5-in-1



斜边内六角螺栓
Reveled hexagon socket head screw

- (A)*1
- (B)*2
- (C)*2
- (D)*2
- (E)*2
- (J)*2

- (A)*1
- (B)*8
- (C)*8
- (D)*8
- (E)*8
- (J)*6
- (H)*4
- (I)*4
- (K)*4

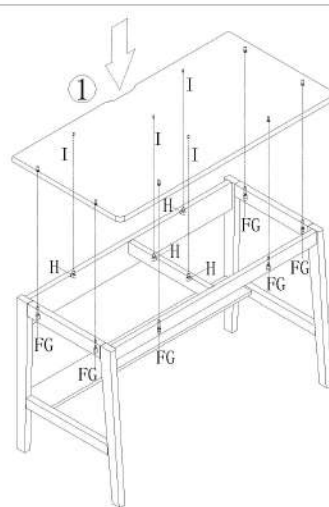
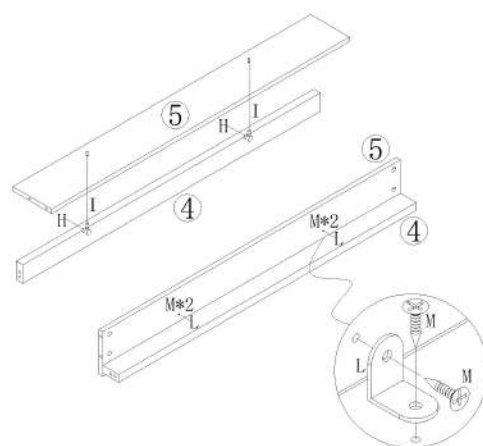


1

- (H)*2
- (I)*2
- (L)*2
- (M)*4

3

- (F)*6
- (G)*1
- (H)*4
- (I)*4

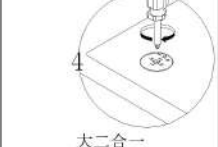
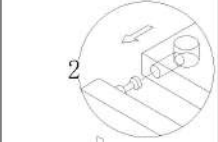
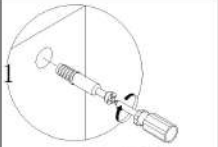


2

4

UM5V-B (1.2m)

安装方法/
Installation method



大二合一
two-in-one

