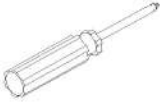



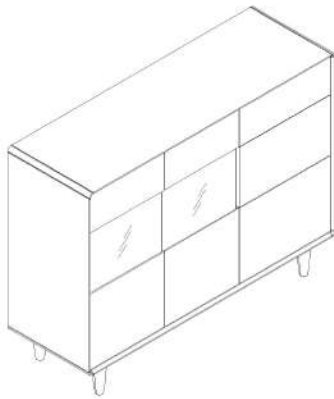
LINSY 林氏家居

五金表/Hardware list

安装示意图/Assembly Instruction

产品名称 Model NO.	矮餐边柜
产品型号 Product Model	UM5T-A(1.2米)
尺寸规格 Specification	(1200*398*918)mm
安装工具 Tool	安装人数 Installer
	

注：为保证设计效果，部分尺寸为定制尺寸，不影响使用。



(A)* 29 二合一螺杆 2-in-1-screw	(B)* 29 大三合一锁饼 Three-in-one large lock	(C)* 13 小三合一锁饼 3-in-1 small lock	(D)* 13 小二合一杆 small two-in-one rod	(E)* 25 木棒Ø8x30mm wood tenon	(F)* 13 自攻螺丝M4x40mm Self-tapping screw	(G)* 13 塑料螺母 Plastic Nut	(H)* 11 背板扣 Back Plate Buckle-White
(I)* 23 自攻螺丝M3.5x16mm Self-tapping screw	(J)* 8 层板托 shelf support	(K)* 55 自攻螺丝M3.5x12mm Self-tapping screw	(L)* 2 透气孔盖-白色 Vent cover - white	(M)* 4 9mm透明防滑PVC脚垫 Rubber stopper	(N)* 12 镜钉 Mirror nail	(O)* 13 塑胶垫片 Plastic gasket	(P)* 3 缓冲门板大弯-杯径Ø35 Hinge-kg beads-diameter: 35
(Q)* 3 缓冲门板直弯-杯径Ø35 Hinge-straight beads-diameter: 35	(R)* 4 斜边十字螺柱-M8x50 bevel cross screw	(S)* 4 螺母-M8 Ø12x15mm NUT	(T)* 1 调节脚-M8x30 Adjusting foot	(U)* 1 全牙螺杆-M8x40mm screw-ocular size	(V)* 8 L型角码14x21x1.5 L-shaped corner code	(W)* 2 家具防倒器-白色 Anti-tall device white	(X)* 3 三节反弹玻璃导轨-12" Three section rebound ball guide rail
(Y)* 1 夹板条 Splint strip- L=170	(Z)* 2 门板玻璃 Door panel glass						

提示：产品靠墙放置，并安装防倒装置
Tip: Place the product against the wall and install the anti falling device.

UM5T-A(1.2米)

部件表/Parts List

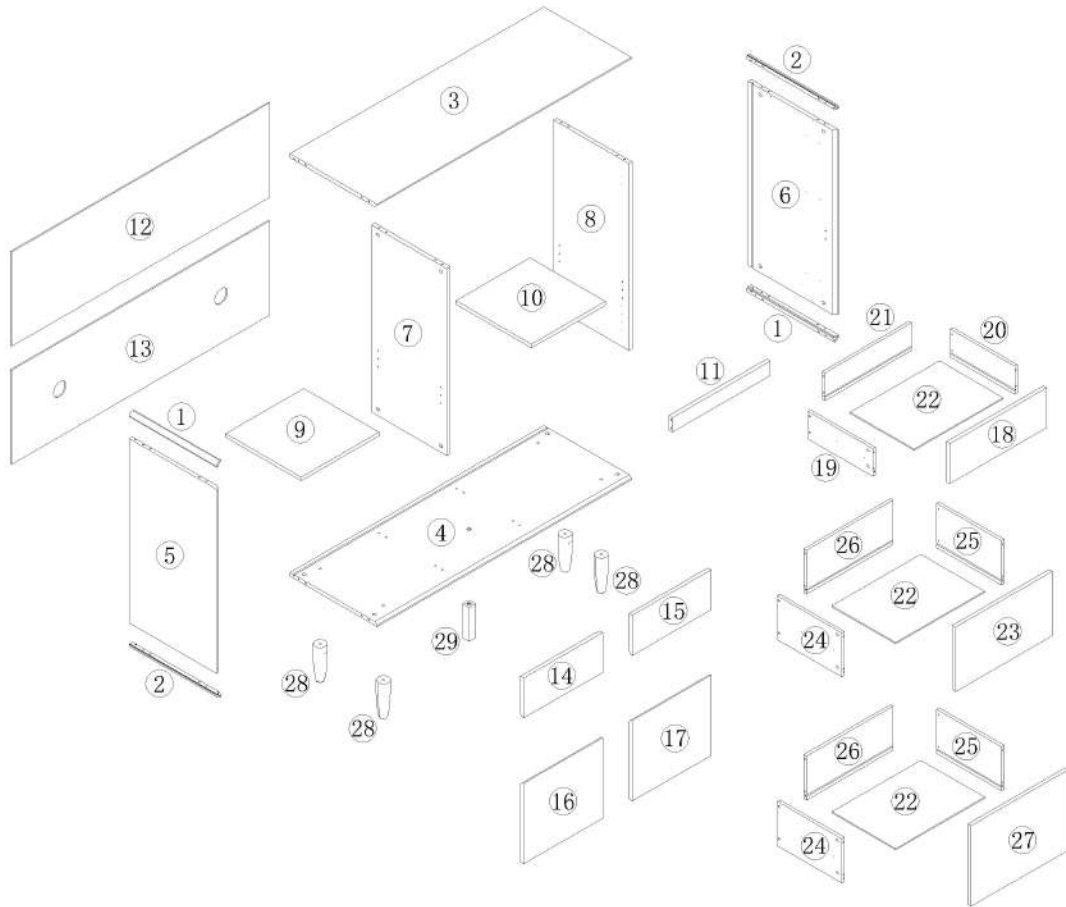
部件表/Parts List

安装方法/
Installation method

编号NO.	名称Name	规格 (mm) Specification	数量QTY	材质Material	编号NO.	名称Name	规格 (mm) Specification	数量QTY	材质Material
①	转角木/左 Corner connection wood (L)	399*20*20	2	橡胶木 Rubber wood	②6	抽屉后板Drawer Back panel	396*174*12	2	刨花板 Particle board
②	转角木/右 Corner connection wood (R)	399*20*20	2	橡胶木 Rubber wood	②7	下抽屉面板 Bottom drawer's panel	442*318*15	1	刨花板 Particle board
③	面板Top panel	1160*398*15	1	刨花板 Particle board	②8	脚 Foot	145*46*46	4	橡胶木 Rubber wood
④	底板Bottom board	1160*398*15	1	刨花板 Particle board	②9	中脚 Middle foot	134*30*30	1	橡胶木 Rubber wood
⑤	左侧板Side board(L)	728*398*15	1	刨花板 Particle board					
⑥	右侧板Side board(R)	728*398*15	1	刨花板 Particle board					
⑦	左中侧板 Middle side board(L)	738*344*15	1	刨花板 Particle board					
⑧	右中侧板 Middle side board(R)	738*344*15	1	刨花板 Particle board					
⑨	左活动层板 Movable shelf(L)	355*344*15	1	刨花板 Particle board					
⑩	右活动层板 Movable shelf(R)	337*344*15	1	刨花板 Particle board					
⑪	拉条 brace	446*58*15	1	刨花板 Particle board					
⑫	背板1 Back board 1	1180*373*5	1	纤维板 Fiberboard					
⑬	背板2 Back board 2	1180*373*5	1	纤维板 Fiberboard					
⑭	左上门板 Upper door board(L)	360*158*15	1	刨花板 Particle board					
⑮	右上门板 Upper door board(R)	360*158*15	1	刨花板 Particle board					
⑯	左下门板 Lower door board(L)	360*318*15	1	刨花板 Particle board					
⑰	右下门板 Lower door board(R)	360*318*15	1	刨花板 Particle board					
⑱	上抽屉面板 Upper drawer's panel	442*158*15	1	刨花板 Particle board					
⑲	上抽屉左侧板 Upper drawer's side board(L)	295*110*12	1	刨花板 Particle board					
⑳	上抽屉右侧板 Upper drawer's side board(R)	295*110*12	1	刨花板 Particle board					
㉑	上抽屉后板 Upper drawer's back board	396*110*12	1	刨花板 Particle board					
㉒	抽屉底板Drawer Bottom panel	406*291*5	3	纤维板 Fiberboard					
㉓	中抽屉面板 Drawer's middle board	442*254*15	1	刨花板 Particle board					
㉔	抽屉左侧板Drawer side board(L)	295*174*12	2	刨花板 Particle board					
㉕	抽屉右侧板Drawer side board(R)	295*174*12	2	刨花板 Particle board					

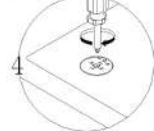
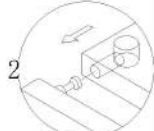
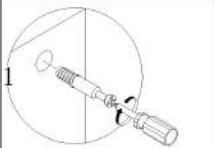
UM5T-A(1.2米)

产品分解图/Exploded drawing

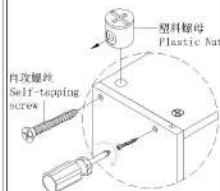


UM5T-A(1.2米)

安装方法/
Installation method



大二合一
two-in-one



塑料螺母
Plastic Nut



(C)*12



(D)*12



(F)*12



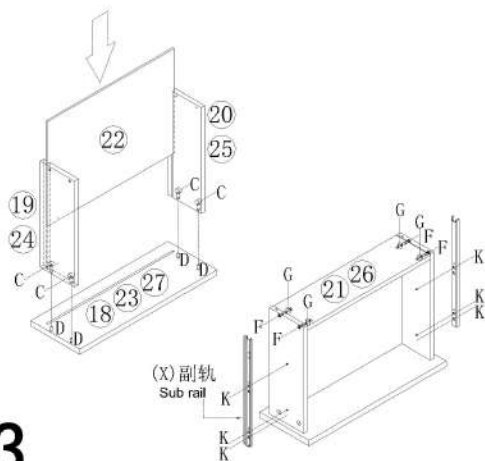
(G)*12



(K)*18



(X)*3



X3

1



(A)*8

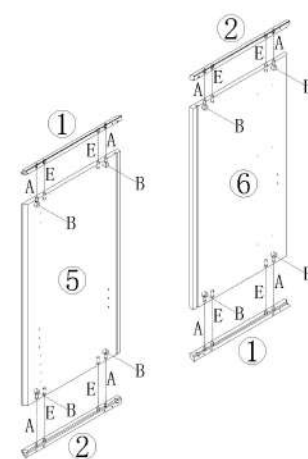


(B)*8



(E)*8

2



(M)*4



(R)*4



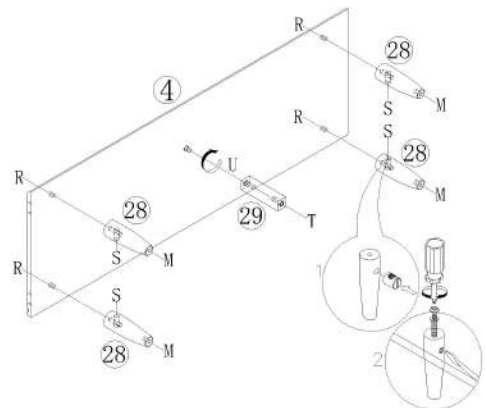
(S)*4



(T)*1



(U)*1



3



(A)*10

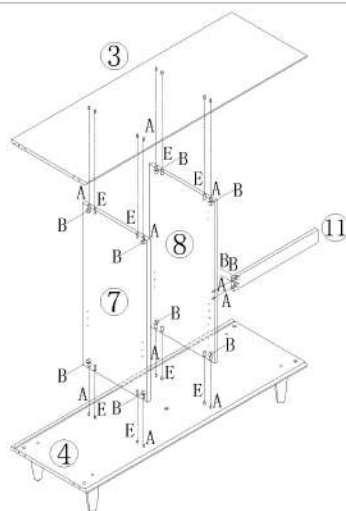


(B)*10



(E)*8

4

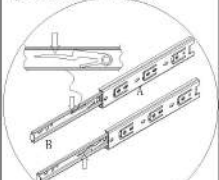


UM5T-A (1.2米)

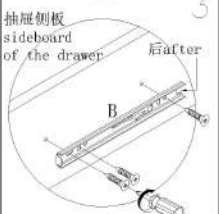
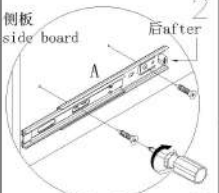
安装方法/

Installation method

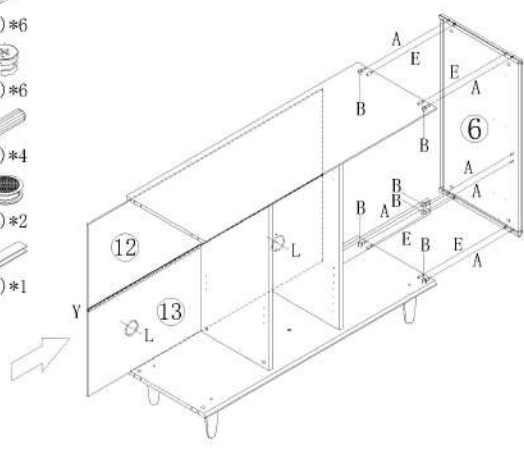
阀门开关 (下压为开)
Valve switch
(press down to open)



注: 先将A与B拆下来
Note: remove a and B first

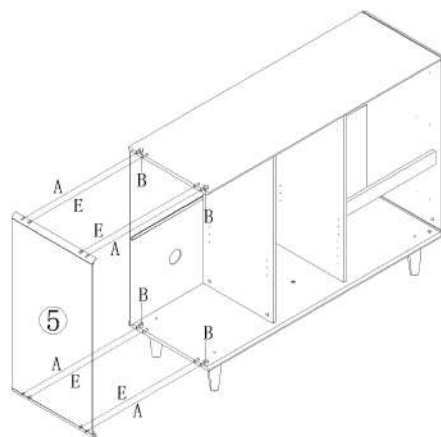


- (A)*6
- (B)*6
- (E)*4
- (L)*2
- (Y)*1



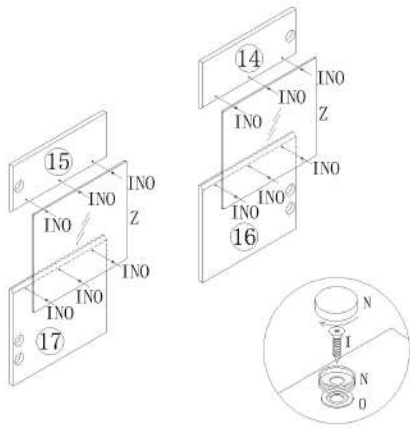
5

- (A)*4
- (B)*4
- (E)*4



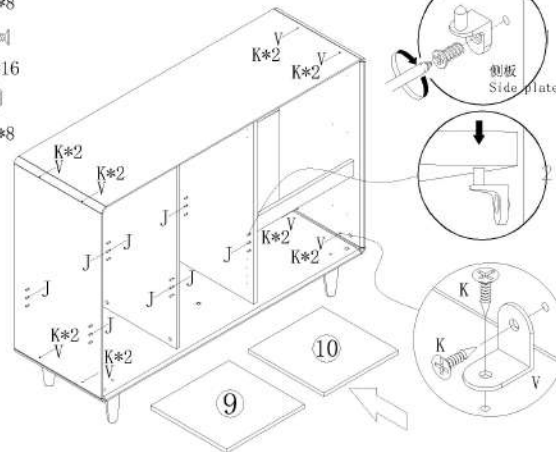
6

- (I)*12
- (N)*12
- (O)*12
- (Z)*2



7

- (J)*8
- (K)*16
- (V)*8



8

UM5T-A(1.2米)

安装方法/
Installation method

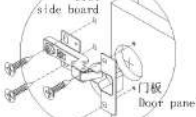
大弯big bend



中弯middle bending



直弯straight bending



调节上下
Adjust up and down



调节左右
Adjust left and right



调节前后
Before and after adjustment



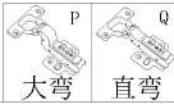
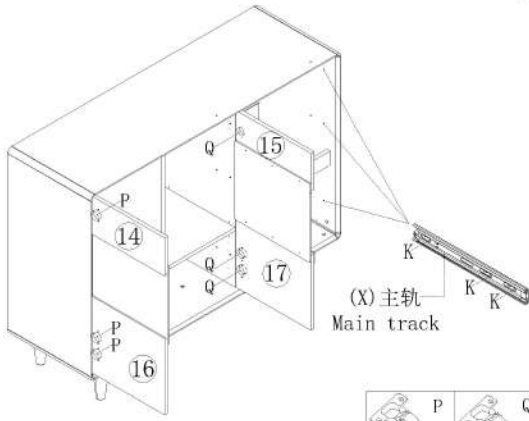
门铰
Hinge



背板扣
Back Plate Buckle-White

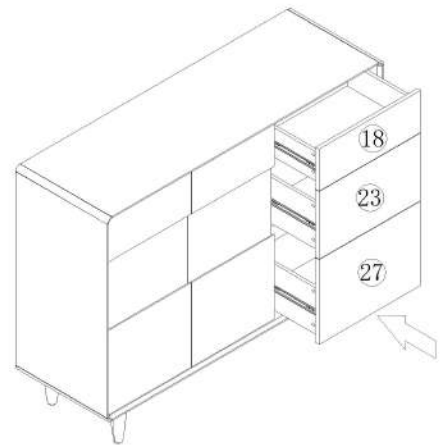


- (K)*18
- (P)*3
- (Q)*3
- (X)*3



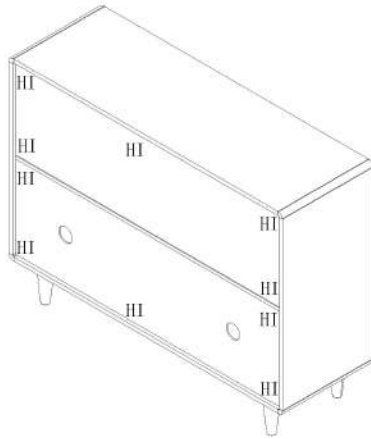
9

10



11

12



LINSY 林氏家居

安装示意图/Assembly Instruction

产品名称 Model NO.

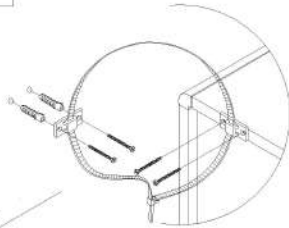
UM5T-A(1.2米)

安装工具 Tool

安装人数 Installer

(W)*2
家具防倒器-白色
Anti-fall device
white

13



W处放大图
Enlarged view at W

实体墙
Solid wall

