
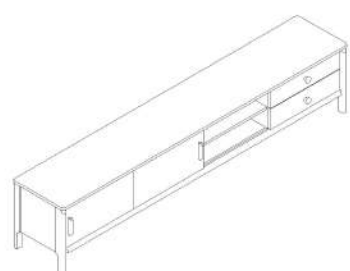


# LINSY 林氏家居




## 安装示意图/Assembly Instruction

产品名称 Model NO.	UM1M-A 1.8m
产品规格 Specification	1801*357*113mm
安装工具 Tool	安装人数 Installer
	



▶注：趟门和抽屉都是设计所需设计缝，小心夹伤！  
 Note: The doors and drawers are designed with necessary seams. Be careful not to pinch!

## 五金表/Hardware list

 (A)* 36 二合一螺杆 2-in-1-screw	 (B)* 36 大三合一锁杆 Three-in-one large lock	 (C)* 34 木榫Ø8x30mm wood tenon	 (D)* 8 小二合一杆 small two-in-one rod
 (E)* 8 小二合一锁杆 small three-in-one lock	 (F)* 8 塑料螺母 Plastic Nut	 (G)* 8 自攻螺丝M4x40mm Self-tapping screw	 (H)* 4 透明防滑PVC胶塞 PVC rubber plug
 (I)* 1 调节五金脚-M8x30 Adjusting foot	 (J)* 1 斜边十字螺杆-M8x35 bevel cross screw	 (K)* 4 层板托 shelf support	 (L)* 51 自攻螺丝M3.5x12mm Self-tapping screw
 (M)* 1 穿线孔盖-01 Threading cover	 (N)* 4 斜边十字螺杆-M6x20 bevel cross screw	 (O)* 4 趟门轮 Gate wheel	 (P)* 6 自攻大扁M4*30mm Self tapping flat screw
 (Q)* 8 背板扣 Back Plate Buckle-White	 (R)* 8 自攻螺丝M3.5x16mm Self-tapping screw	 (S)* 6 透明防撞垫片 anti-collision gasket	 (T)* 2 透气孔盖-白色 Vent cover - white
 (U)* 2 三节滚珠导轨-B three-section ball rail			

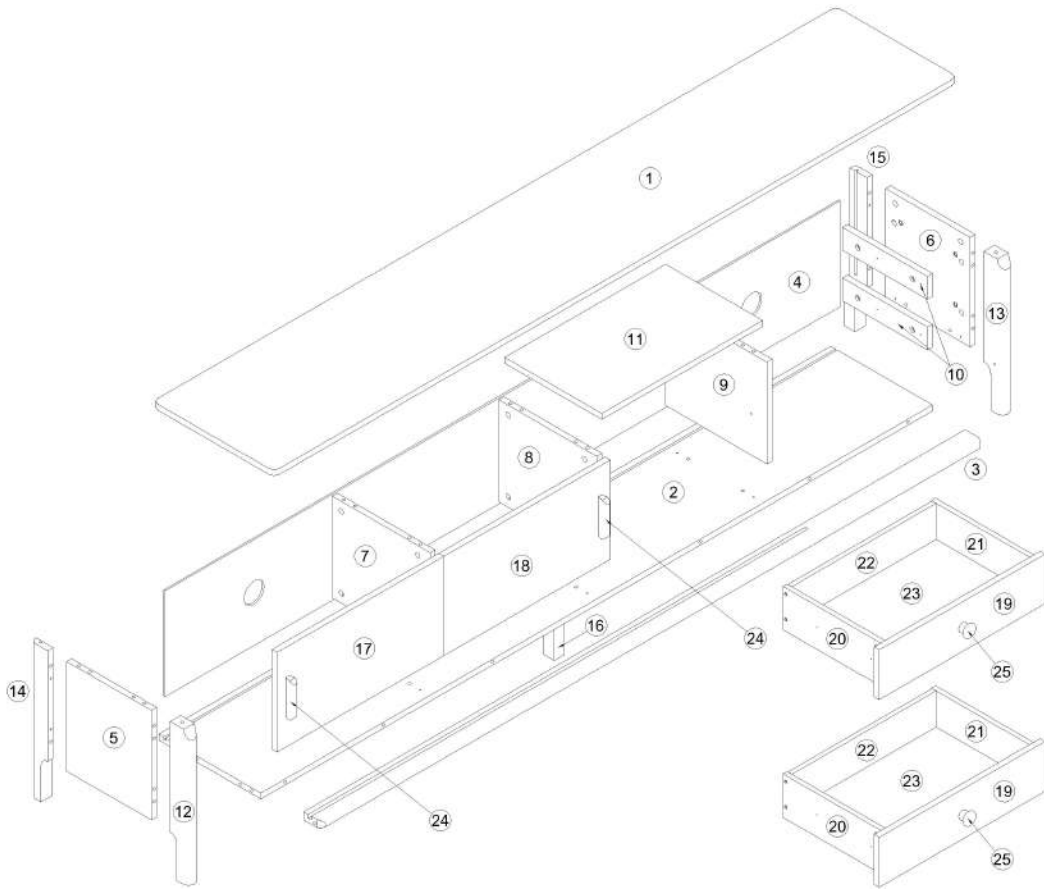
## 部件表/Parts List

编号NO.	名称Name	规格 (mm) Specification	数量 QTY	材质Material
①	面板 Top panel	1801*355*15	1	刨花板Particle board
②	底板 Bottom board	1767*298*15	1	刨花板Particle board
③	前拉条 Front brace	1737*55*20	1	橡胶木Rubber wood
④	背板 Back board	1777*268*5	1	纤维板Fiberboard
⑤	左侧板 Side board(L)	278*248*15	1	刨花板Particle board
⑥	右侧板 Side board(R)	278*248*15	1	刨花板Particle board
⑦	左中侧板 Middle side board(L)	258*286*15	1	刨花板Particle board
⑧	中中侧板 Middle side board	258*286*15	1	刨花板Particle board
⑨	右中侧板 Middle side board(R)	258*296*15	1	刨花板Particle board
⑩	导轨垫条 Rail cushion strip	248*58*15	2	刨花板Particle board
⑪	活动层板 Movable shelf	422*284*15	1	刨花板Particle board
⑫	左前脚 Front foot(L)	393*55*31	1	橡胶木Rubber wood
⑬	右前脚 Front foot(R)	393*55*31	1	橡胶木Rubber wood
⑭	左后脚 Back foot(L)	393*31*50	1	橡胶木Rubber wood
⑮	右后脚 Back foot(R)	393*31*50	1	橡胶木Rubber wood
⑯	中脚 Middle foot	110*30*30	1	橡胶木Rubber wood
⑰	左门板 Door board(L)	438*252*15	1	刨花板Particle board
⑱	右门板 Door board(R)	438*252*15	1	刨花板Particle board
⑲	抽屉面板 Drawer's top panel	436*126*15	2	刨花板Particle board
⑳	抽屉左侧板 Drawer's side board(L)	260*110*12	2	刨花板Particle board
㉑	抽屉右侧板 Drawer's side board(R)	260*110*12	2	刨花板Particle board
㉒	抽屉后板 Drawer's Back board	373*110*12	2	刨花板Particle board
㉓	抽屉底板 Drawer's Bottom board	383*256*5	2	纤维板Fiberboard
㉔	门拉手 Door handle	100*15*25	2	橡胶木Rubber wood
㉕	抽屉拉手 Drawer handle	35*35*24	2	橡胶木Rubber wood

UM1M-A 1.8m

产品分解图/  
exploded drawing

部件表/Parts List

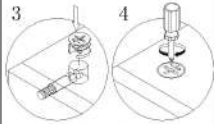
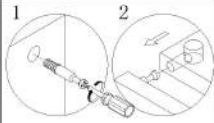


编号NO.	名称Name
①	面板 Top panel
②	底板 Bottom board
③	前拉条 Front brace
④	背板 Back board
⑤	左侧板 Side board(L)
⑥	右侧板 Side board(R)
⑦	左中侧板 Middle side board(L)
⑧	中中侧板 Middle side board
⑨	右中侧板 Middle side board(R)
⑩	导轨垫条 Rail cushion strip
⑪	活动层板 Movable shelf
⑫	左前脚 Front foot(L)
⑬	右前脚 Front foot(R)
⑭	左后脚 Back foot(L)
⑮	右后脚 Back foot(R)
⑯	中脚 Middle foot
⑰	左门板 Door board(L)
⑱	右门板 Door board(R)
⑲	抽屉面板 Drawer's top panel
⑳	抽屉左侧板 Drawer's side board(L)
㉑	抽屉右侧板 Drawer's side board(R)
㉒	抽屉后板 Drawer's Back board
㉓	抽屉底板 Drawer's Bottom board
㉔	门拉手 Door handle
㉕	抽屉拉手 Drawer handle

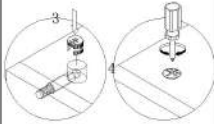
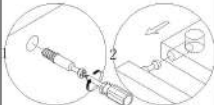
UM1M-A 1.8m

安装方法/

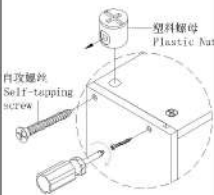
Installation method



大二合一  
two-in-one



小二合一  
small two-in-one



自攻螺钉  
Self-tapping  
screw

塑料螺母  
Plastic Nut

(D)\*8

(E)\*8

(P)\*2

(L)\*32

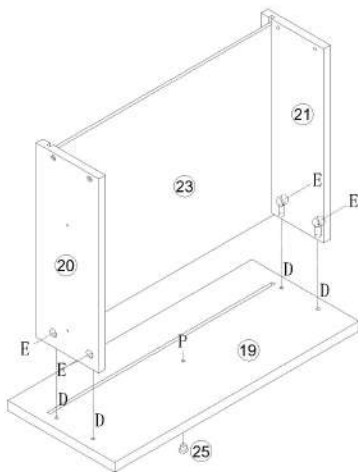
(O)\*4

(P)\*4

(L)\*32

(O)\*4

(P)\*4



X2

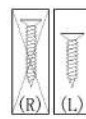
1

(F)\*8

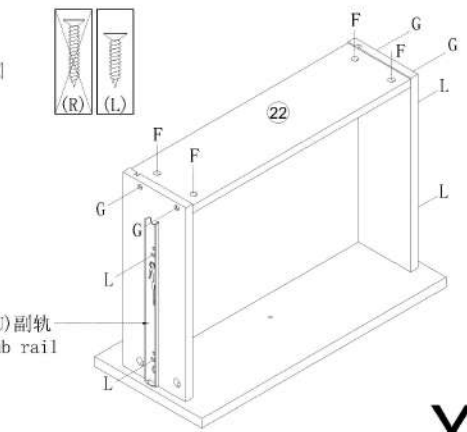
(G)\*8

(L)\*8

(U)\*2



(U) 副轨  
Sub rail



X2

2

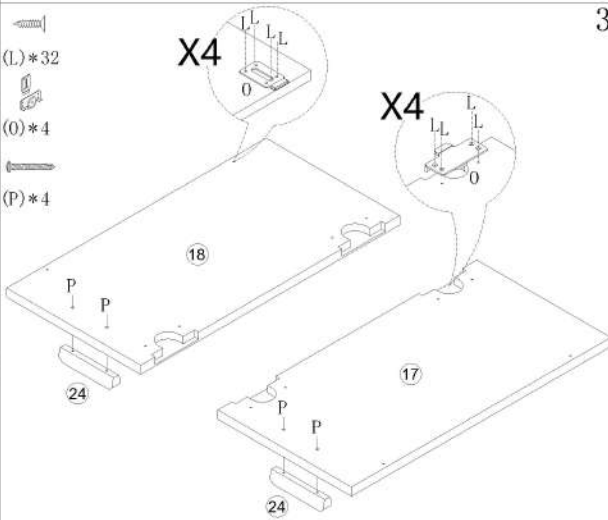
3

(A)\*8

(B)\*8

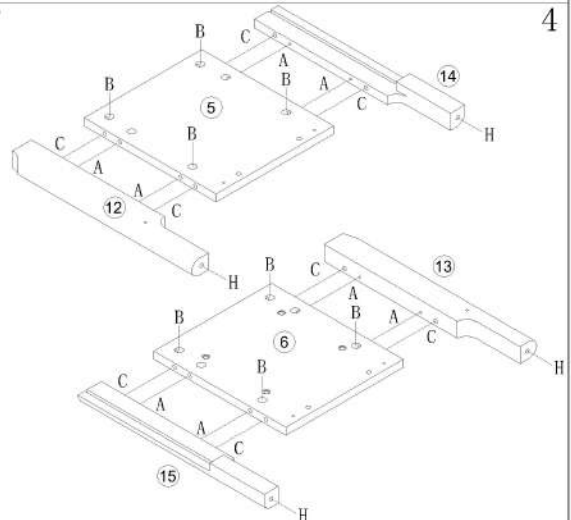
(C)\*8

(H)\*4



X4

X4

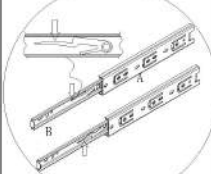


4

UM1M-A 1.8m

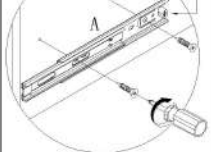
安装方法/  
Installation method

1  
阀门开关(下压为开)  
Valve switch  
(press down to open)

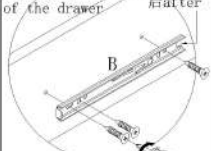


注: 先将A与B拆下来  
Note: remove a and B first

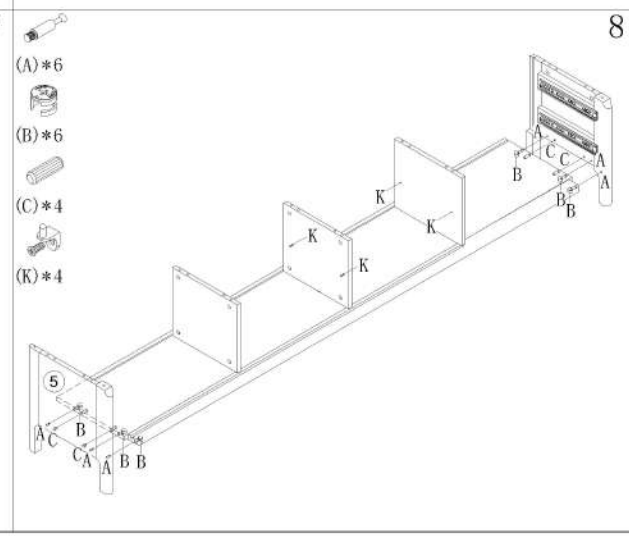
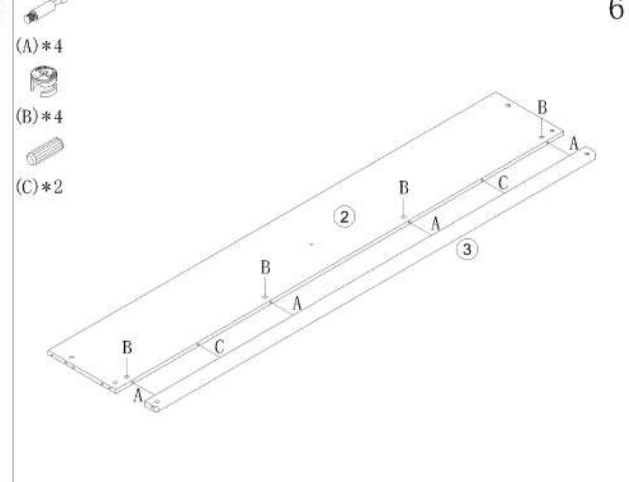
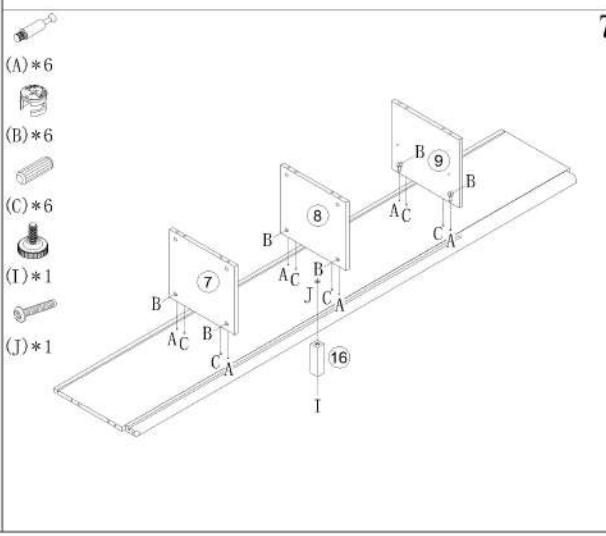
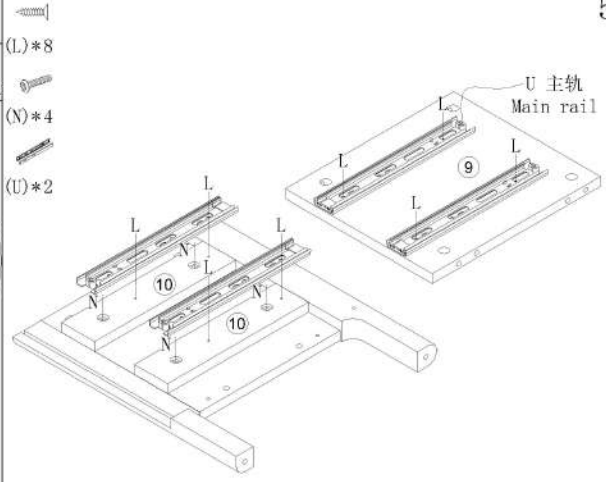
2  
侧板  
side board  
后after



3  
抽屉侧板  
sideboard  
of the drawer  
后after



4  
5  
注: 将B对准A后推进去  
Note: align B with a  
and push it in  
三节滚珠导轨  
three-section ball rail



5

6

4/5

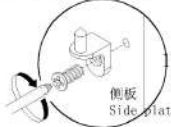
UM1M-A 1.8m

安装方法/  
Installation method



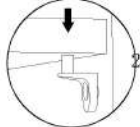
背板扣

Back Plate Buckle-White



侧板

Side plate



层板托5mm  
shelf support



(A)\*10



(B)\*10



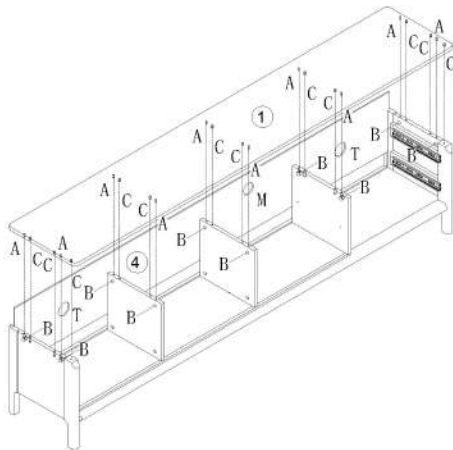
(C)\*12



(M)\*1



(T)\*2



9

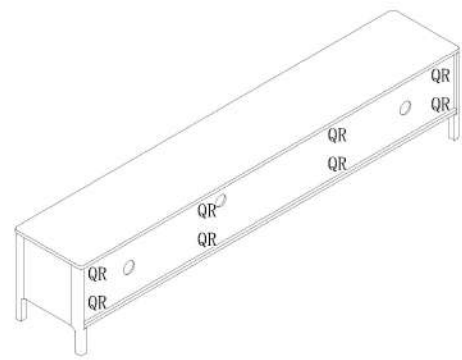


(Q)\*8



(R)\*8

10



11



(S)\*6

12

