

LINSY 林氏家居

五金表/Hardware list

部件表/Parts List

安装示意图/Assembly Instruction

产品名称 Model NO.

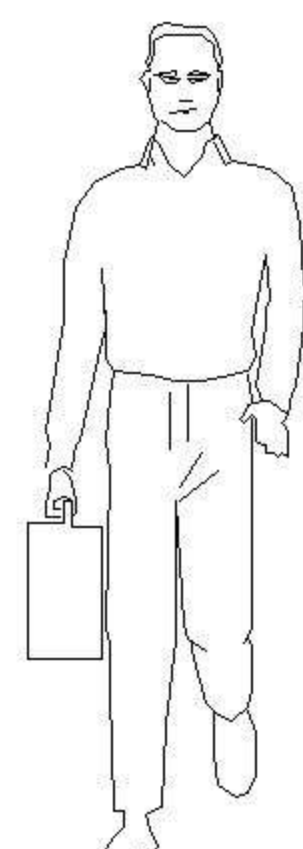
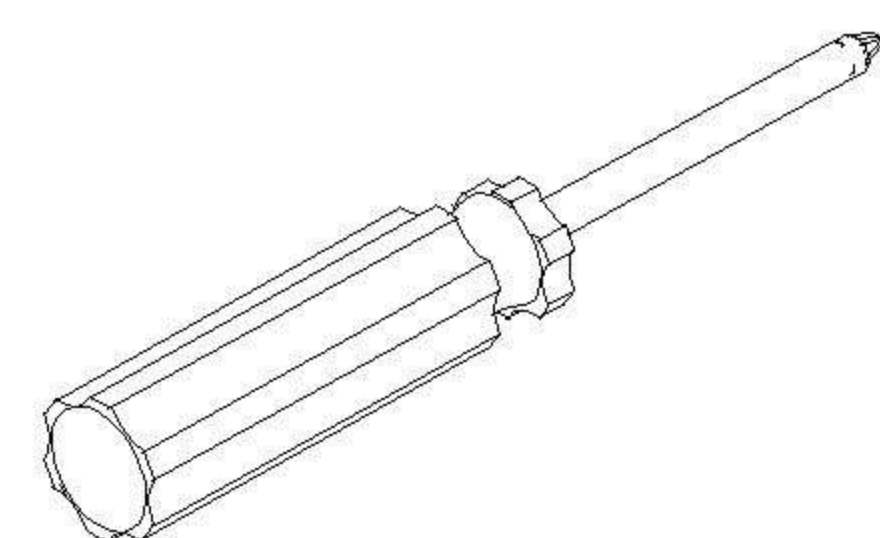
UB1B-A 三抽

产品规格 Specification

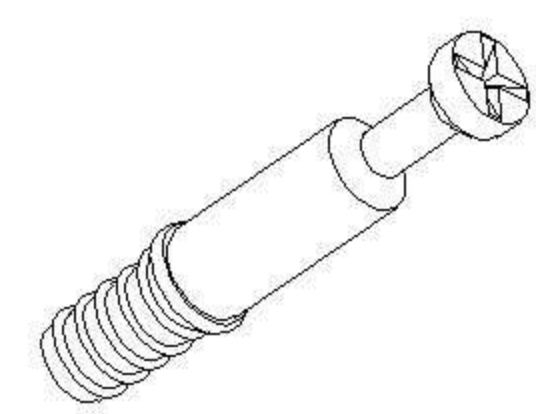
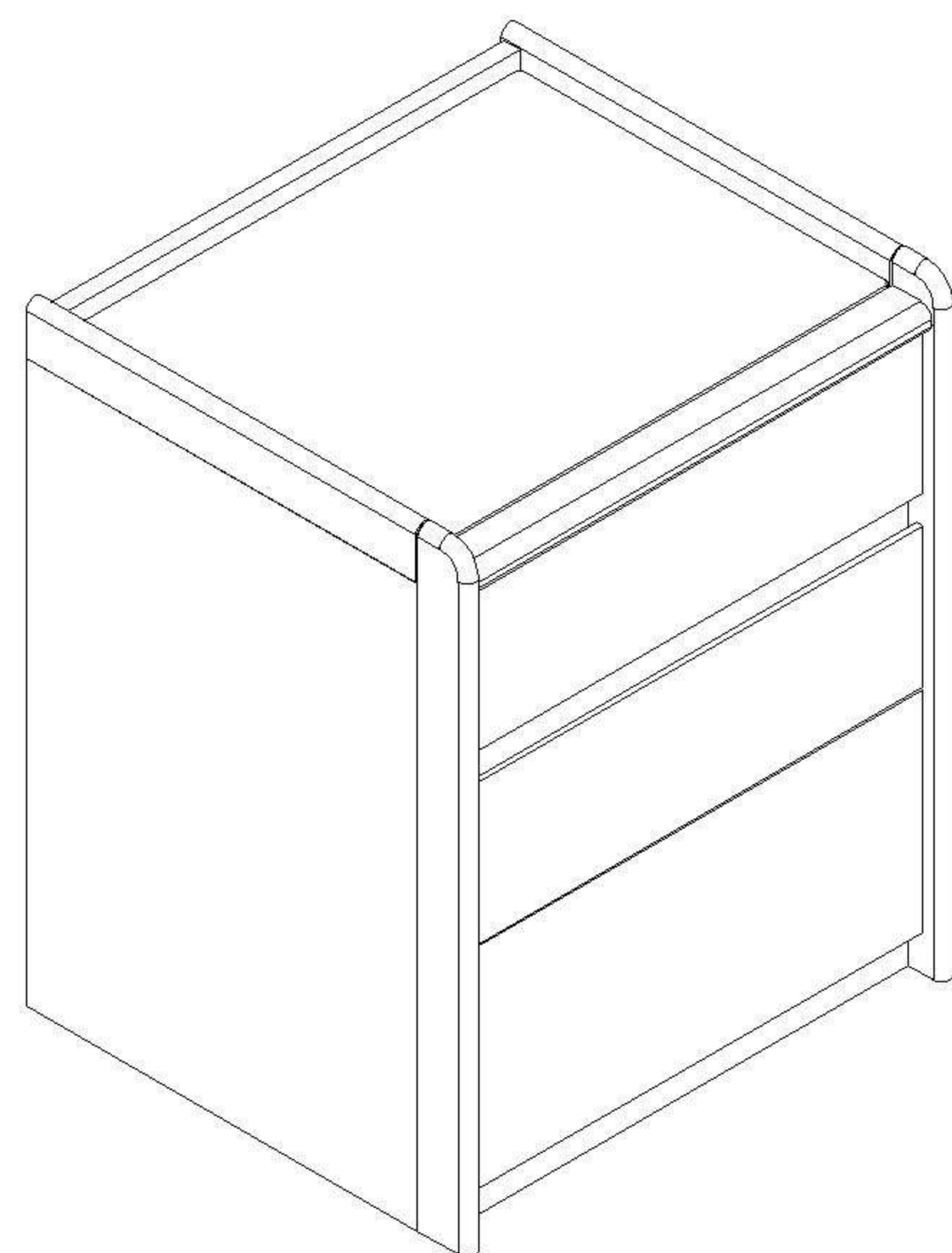
444*398*554mm

安装工具 Tool

安装人数 Installer

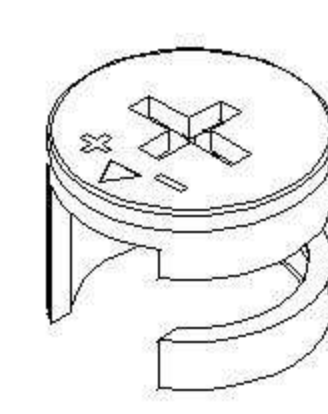


注：为保证设计效果，部分尺寸为定制尺寸，不影响使用。



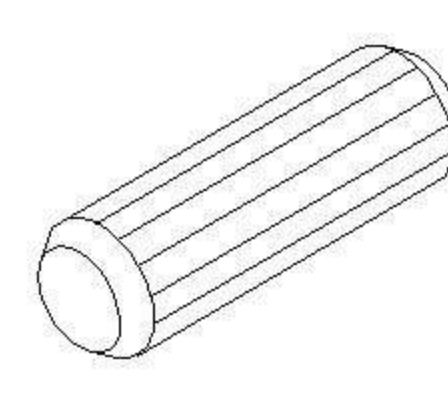
(A)*61

二合一螺杆
2-in-1-screw



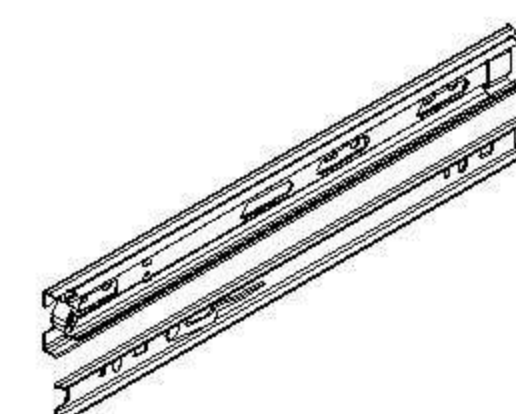
(B)*61

大三合一锁饼
3-in-1 large lock



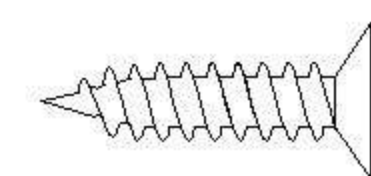
(C)*11

木榫Ø8x30mm
Wood tenon



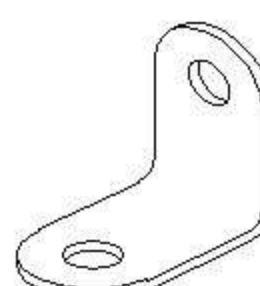
(D)*3

三节滚珠导轨10" (SH-ABC)
Three-section rail



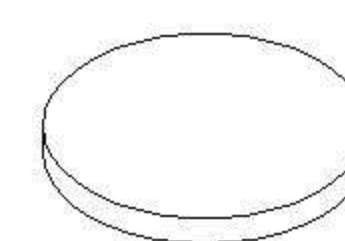
(E)*46

白攻螺丝M3.5*14mm
Tapping screw



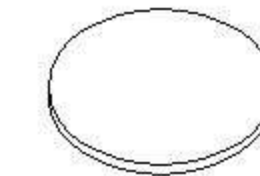
(F)*2

L型角码14x21x1.5
L-shaped corner



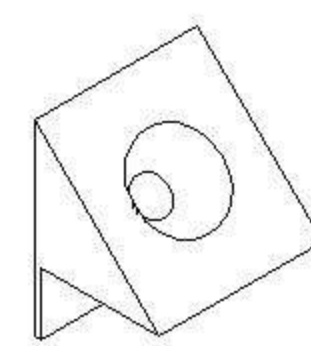
(G)*6

灰色毛毡脚垫(Φ16*3mm)
Foot pad



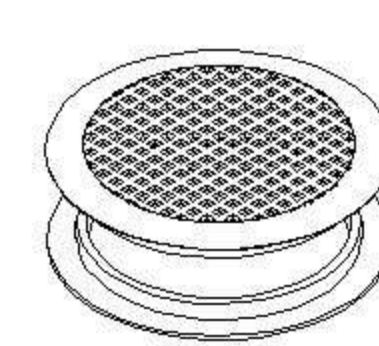
(H)*4

透明圆形玻璃防滑垫
Non-slip plastic pad



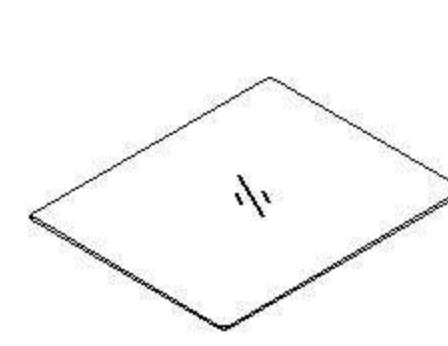
(I)*4

背板扣
White buckle



(J)*1

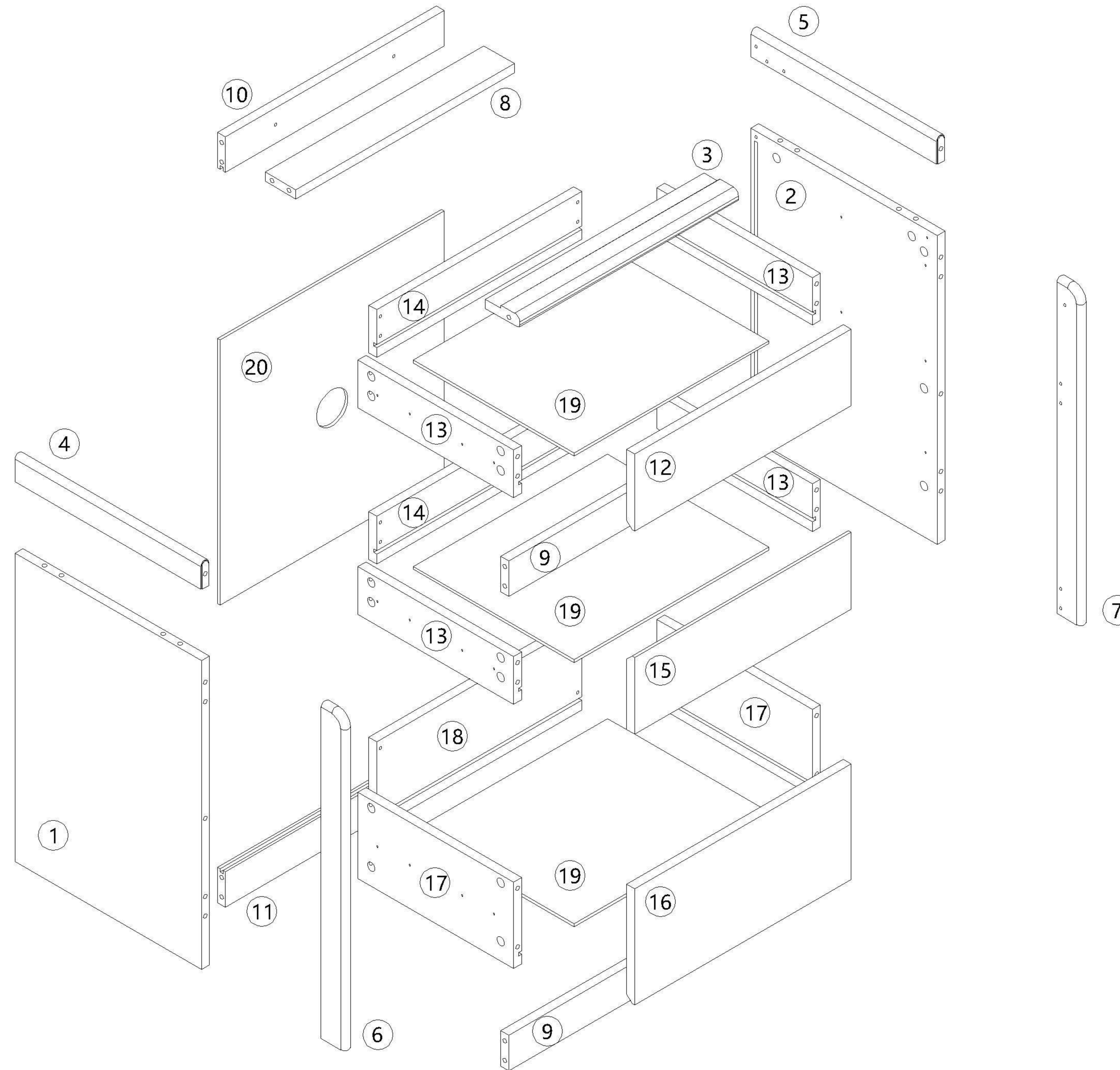
透气孔盖-白色
Breathable cover



(K)*1

茶色面板玻璃
(412*334*5mm)
Brown panel glass

编号NO.	名称Name	规格(mm) Specification	数量QTY	材质Material
①	左侧板Side board(L)	506*353*15	1	刨花板 Particle board
②	右侧板Side board(R)	506*353*15	1	刨花板 Particle board
③	饰条trim	414*65*20	1	橡胶木Rubber wood
④	左顶线top line (L)	353*45*15	1	橡胶木Rubber wood
⑤	右顶线top line (R)	353*45*15	1	橡胶木Rubber wood
⑥	左前柱Left front column	551*45*15	1	橡胶木Rubber wood
⑦	右前柱Right front post	551*45*15	1	橡胶木Rubber wood
⑧	上拉条Top brace	414*58*15	1	刨花板 Particle board
⑨	拉条Brace	414*58*15	2	刨花板 Particle board
⑩	背拉条Back brace	414*58*15	1	刨花板 Particle board
⑪	底拉条Bottom brace	414*58*15	1	刨花板 Particle board
⑫	上抽屉面板Upper drawer's panel	410*126*15	1	刨花板 Particle board
⑬	上抽屉侧板Upper drawer side panels	295*78*15	4	刨花板 Particle board
⑭	上抽屉后板Upper drawer's back board	388*78*15	2	刨花板 Particle board
⑮	中抽屉面板Drawer's middle board	410*126*15	1	刨花板 Particle board
⑯	下抽屉面板Bottom drawer's panel	410*190*15	1	刨花板 Particle board
⑰	下抽屉侧板Lower drawer side panels	295*142*15	2	刨花板 Particle board
⑱	下抽屉后板Down drawer's back board	388*142*15	1	刨花板 Particle board
⑲	抽屉底板Drawer's Bottom board	368*305*5	3	纤维板Fiberboard
⑳	背板Back board	424*434*5	1	纤维板Fiberboard



编号NO.	名称Name
①	左侧板Side board(L)
②	右侧板Side board(R)
③	饰条trim
④	左顶线top line (L)
⑤	右顶线top line (R)
⑥	左前柱Left front column
⑦	右前柱Right front post
⑧	上拉条Top brace
⑨	拉条Brace
⑩	背拉条Back brace
⑪	底拉条Bottom brace
⑫	上抽屉面板Upper drawer's panel
⑬	上抽屉侧板Upper drawer side panels
⑭	上抽屉后板Upper drawer's back board
⑮	中抽屉面板Drawer's middle board
⑯	下抽屉面板Bottom drawer's panel
⑰	下抽屉侧板Lower drawer side panels
⑱	下抽屉后板Down drawer's back board
⑲	抽屉底板Drawer's Bottom board
⑳	背板Back board

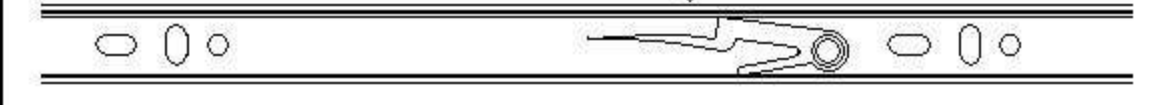
UB1B-A 三抽

安装方法/

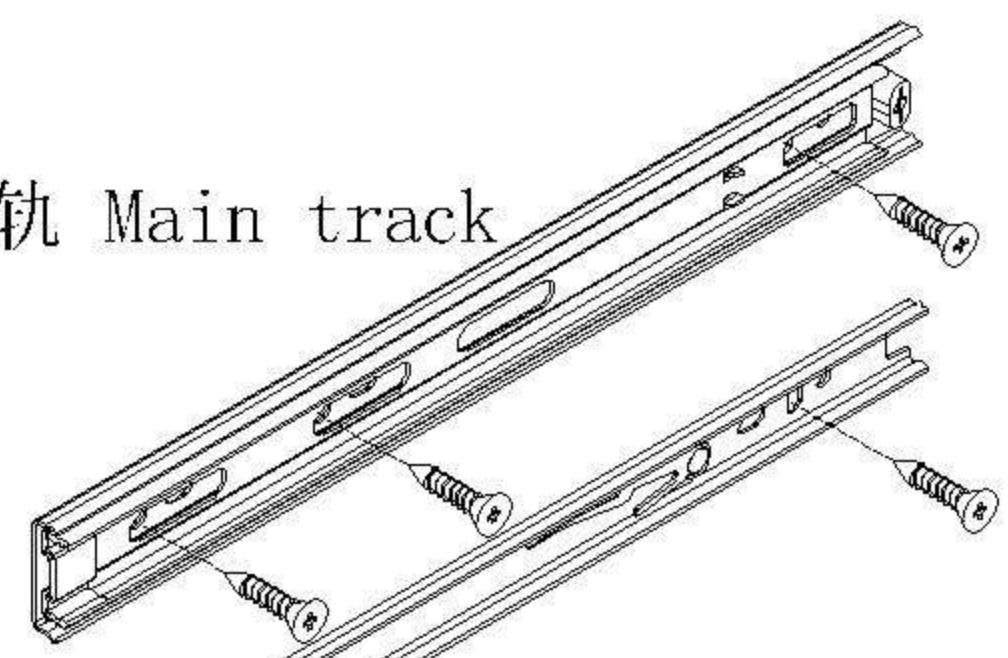
Installation method

阀门开关(下压为开)
Valve switch (press down to open)

前 Forward 后 Back



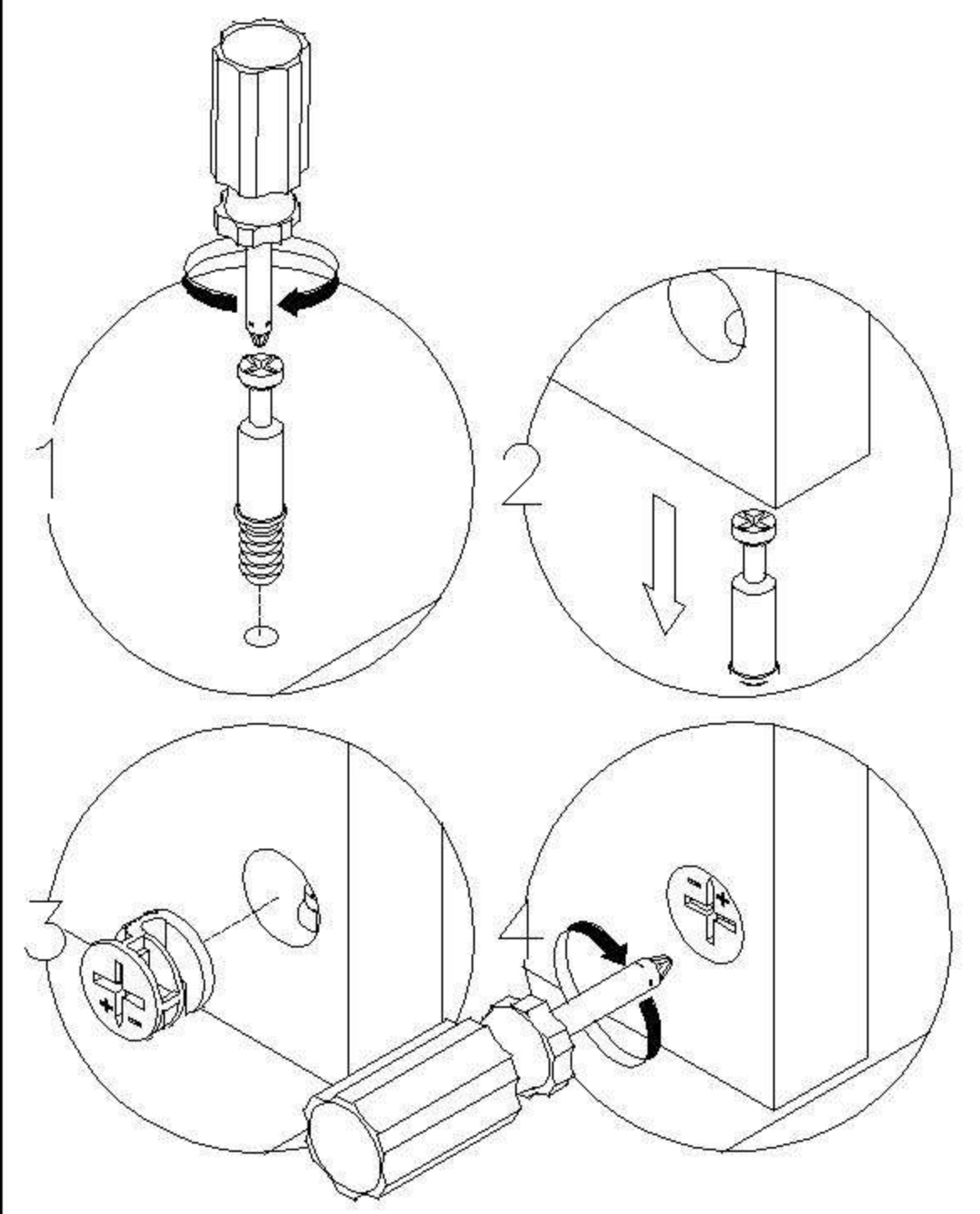
主轨 Main track



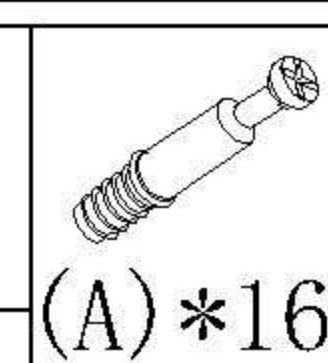
副轨 Sub track



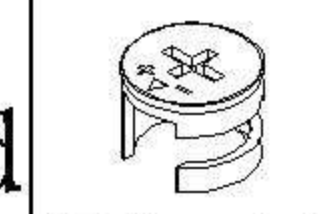
三节滚珠导轨-10"
Three-section rail



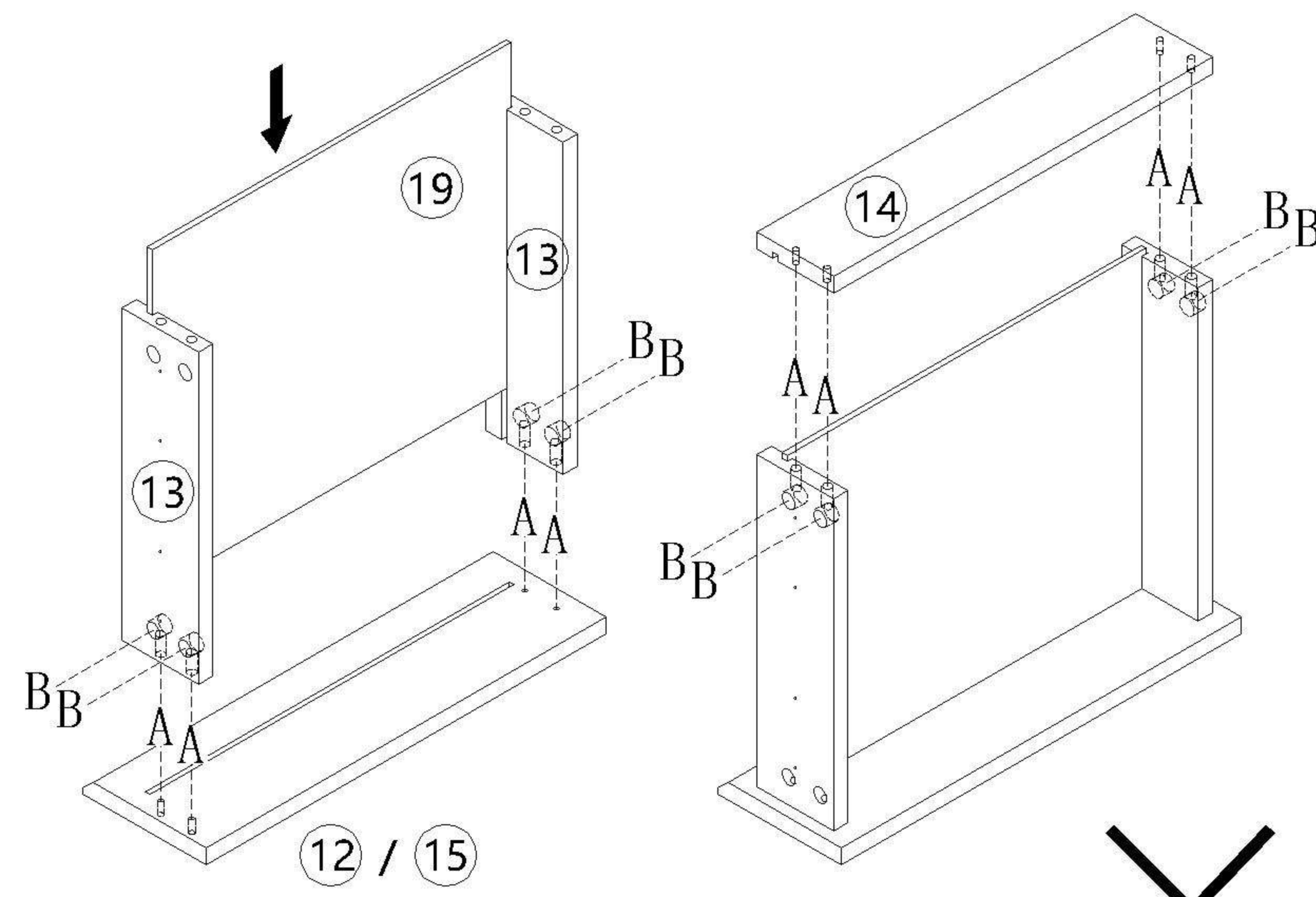
二合一 two-in-one



(A)*16

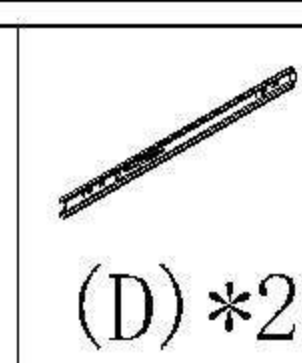


(B)*16

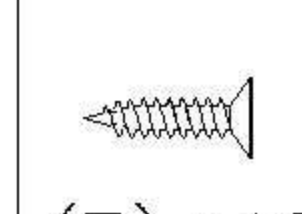


× 2

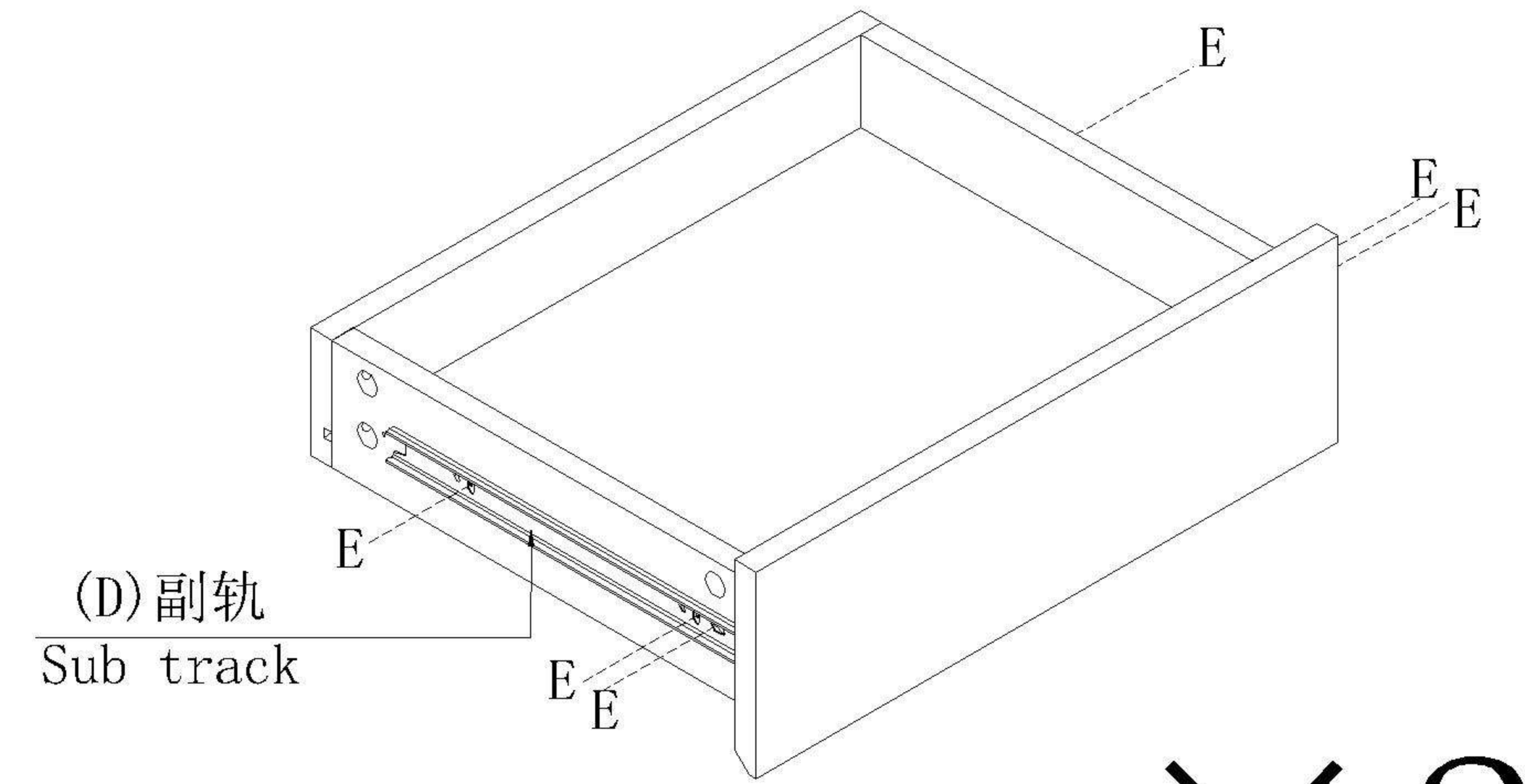
1



(D)*2

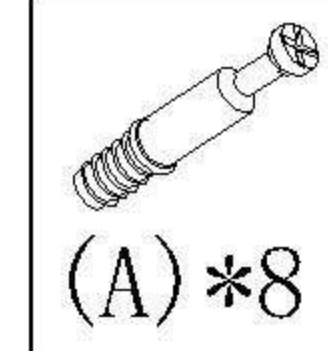


(E)*12

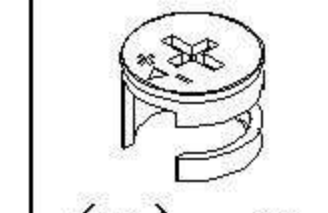


× 2

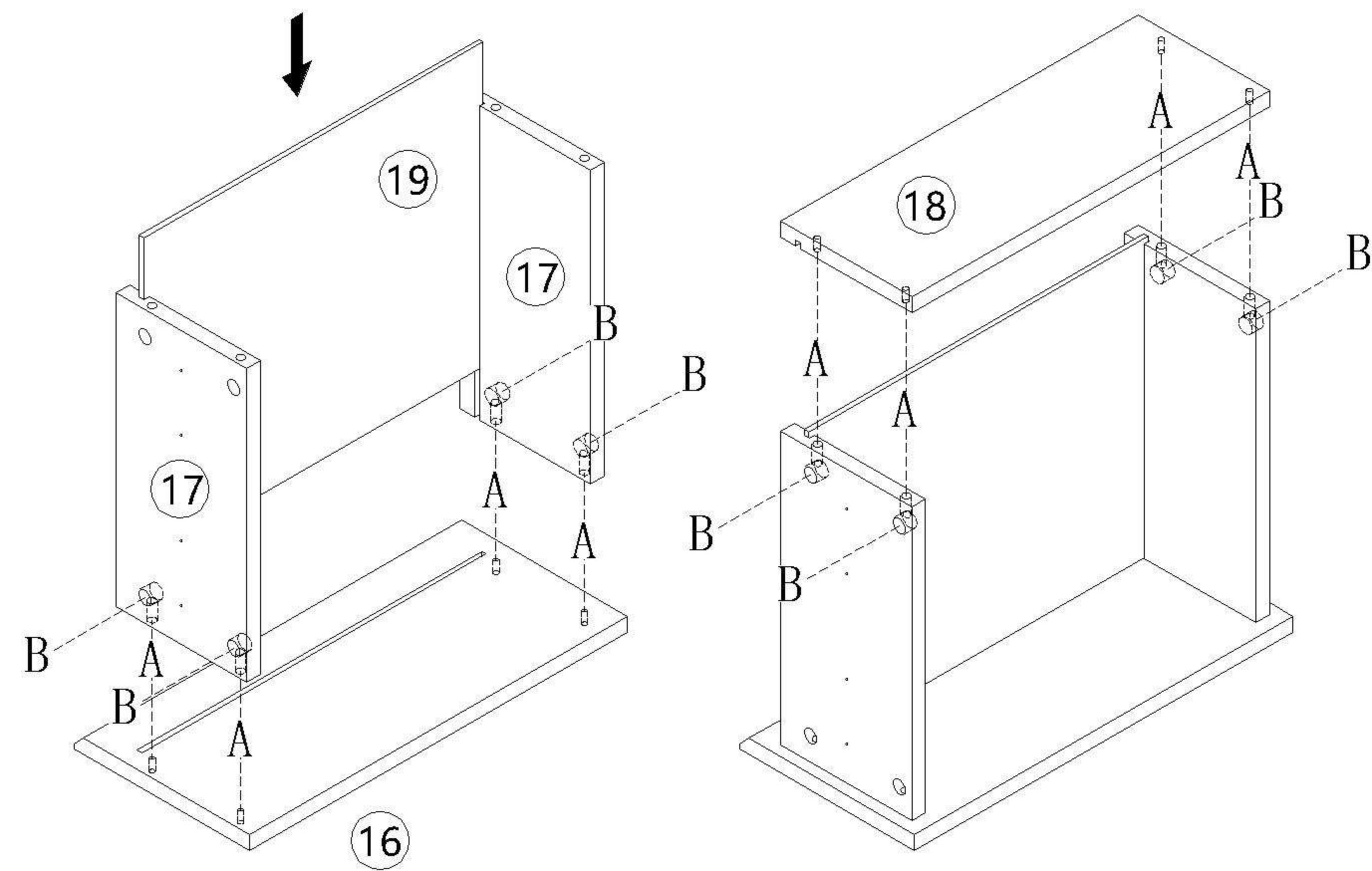
2



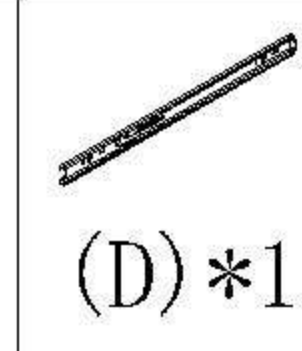
(A)*8



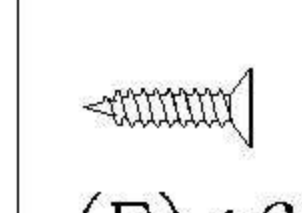
(B)*8



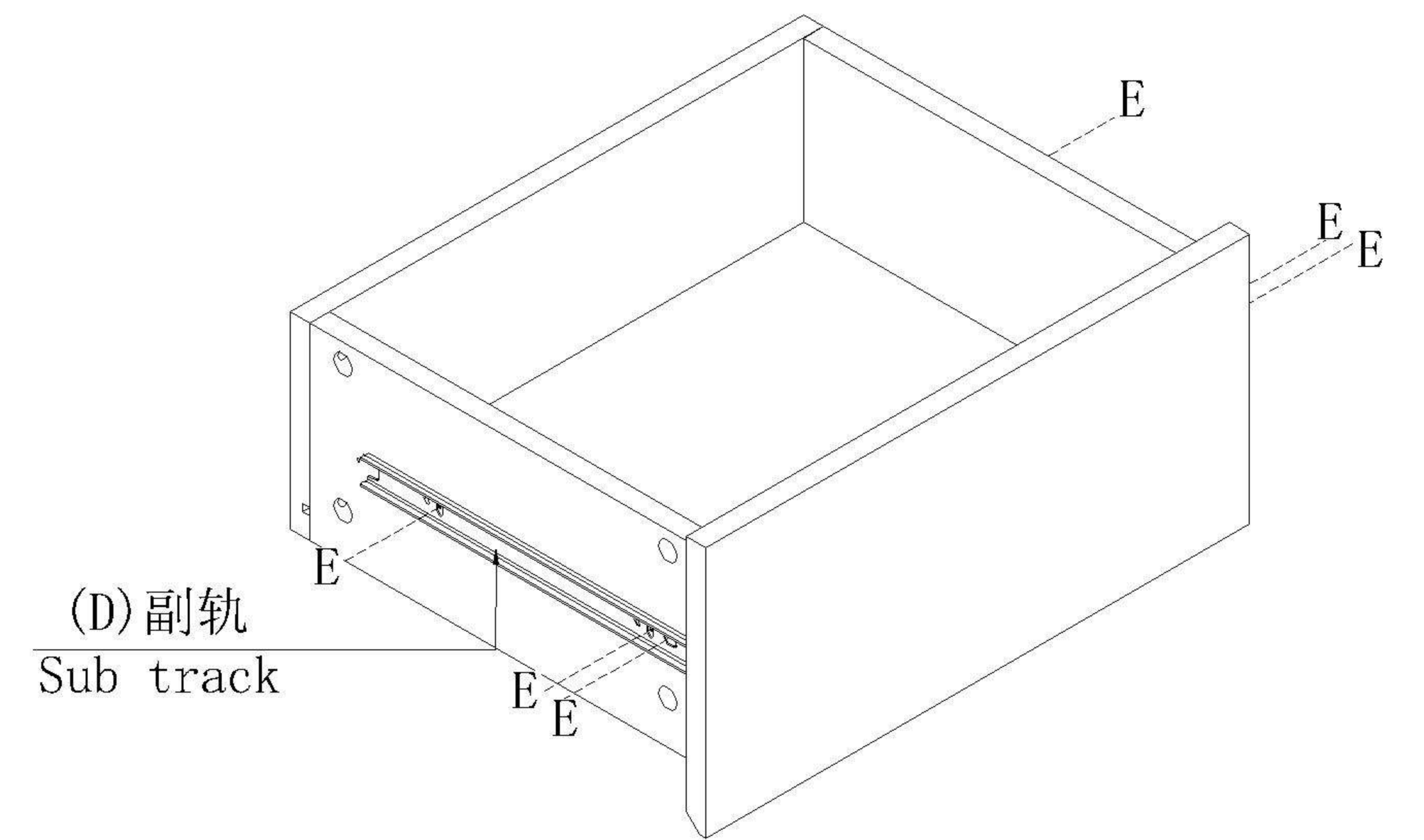
3



(D)*1



(E)*6



4

UB1B-A 三抽

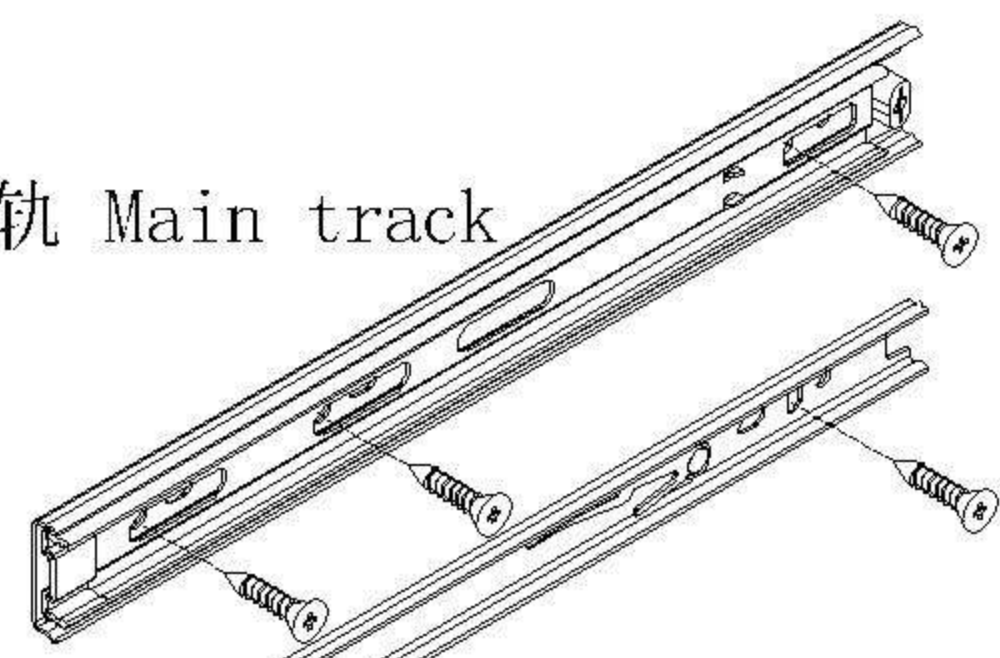
安装方法/
Installation method

阀门开关(下压为开)
Valve switch (press down to open)

前 Forward 后 Back

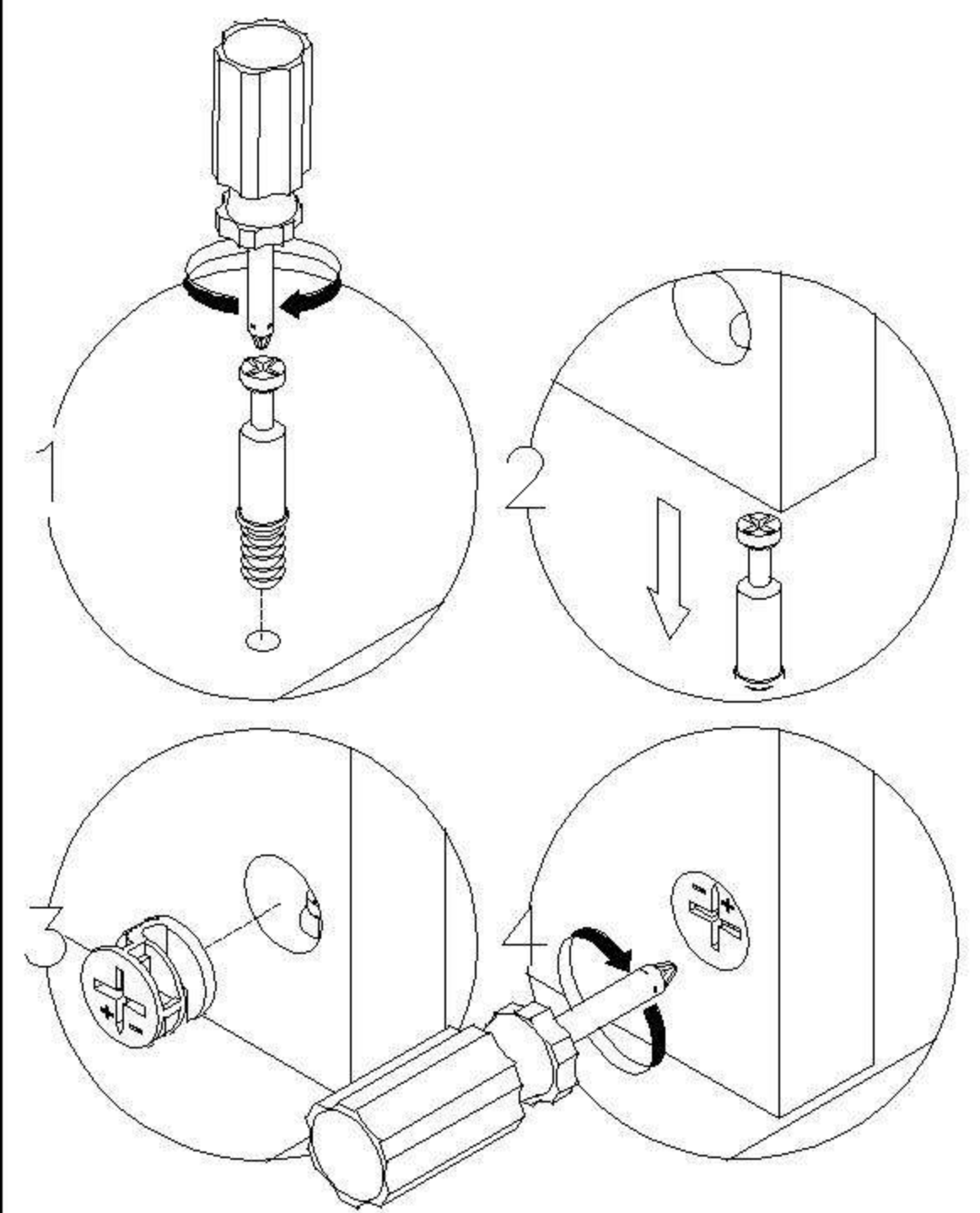


主轨 Main track



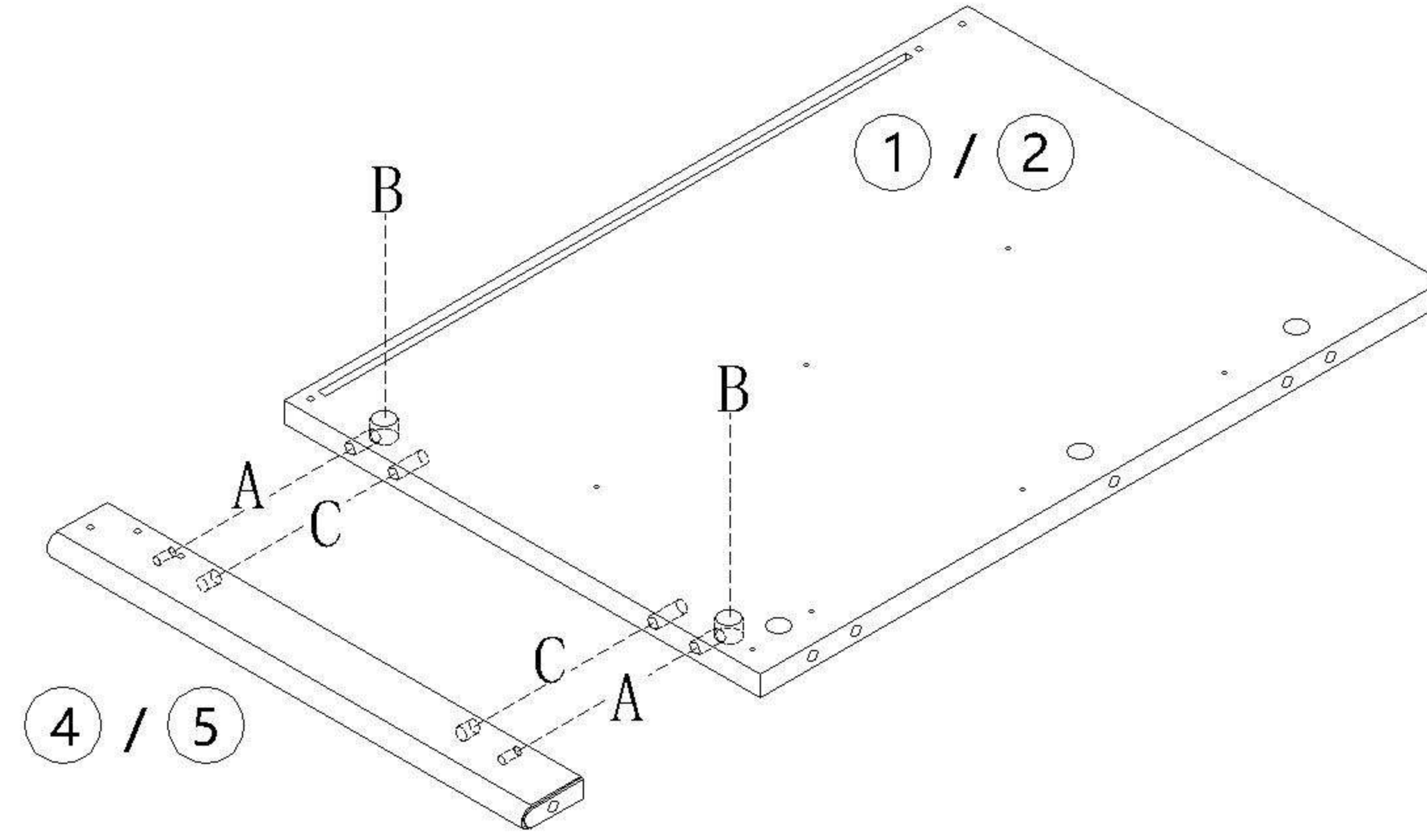
副轨 Sub track

三节滚珠导轨-10"
Three-section rail



二合一 two-in-one

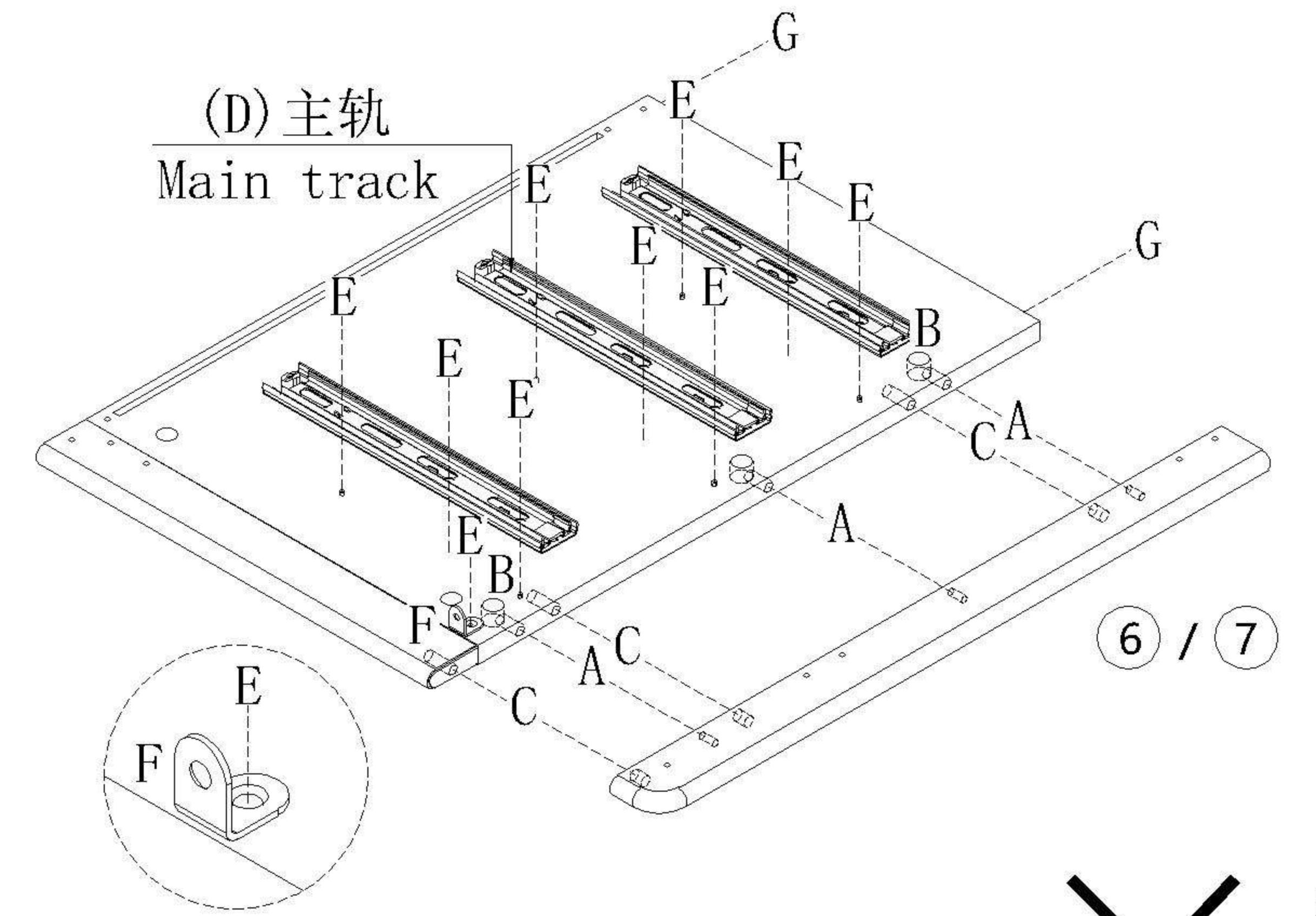
- (A)*4
- (B)*4
- (C)*4



× 2

5

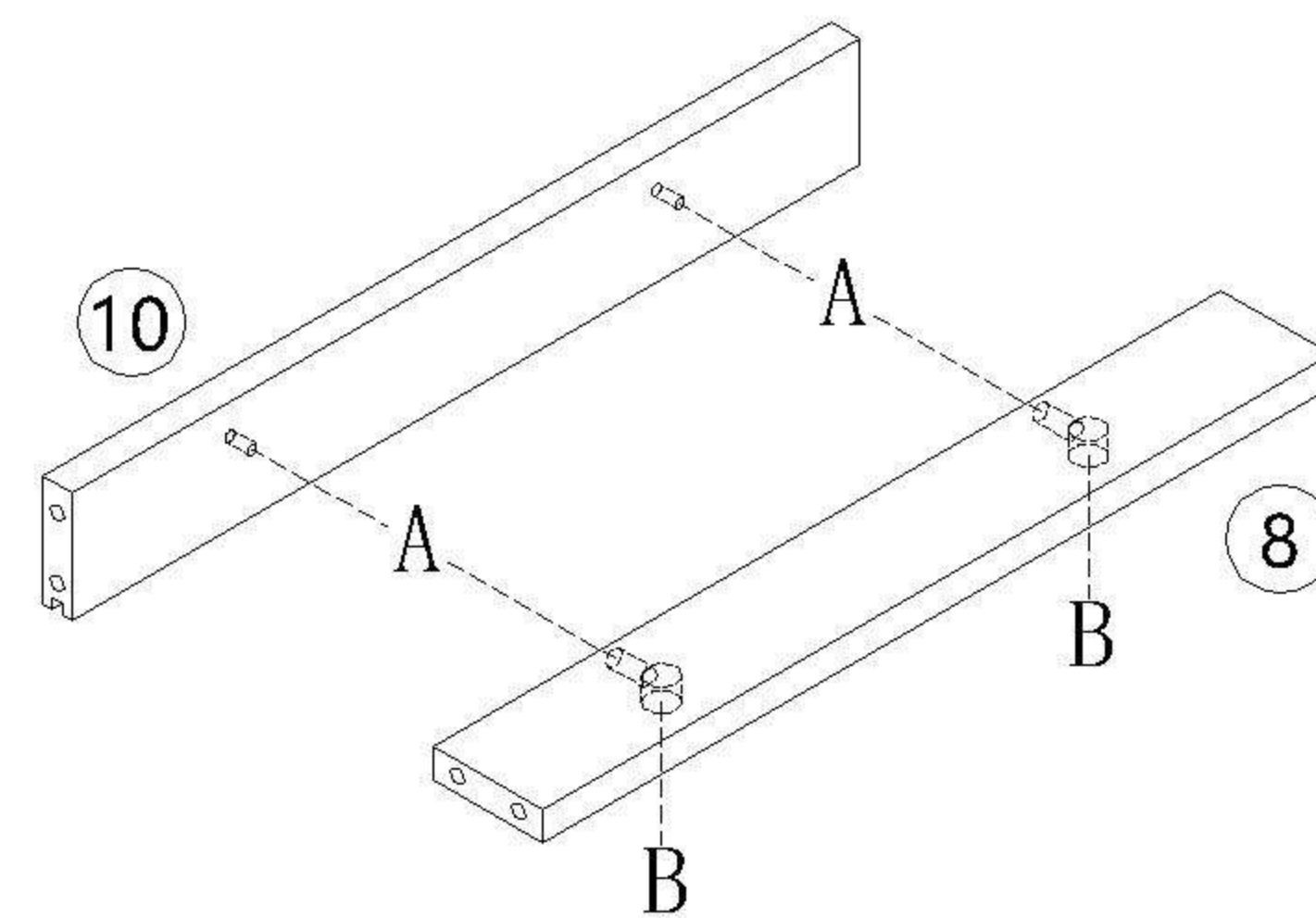
- (A)*6
- (B)*6
- (C)*6
- (D)*3
- (E)*20
- (F)*2
- (G)*4



× 2

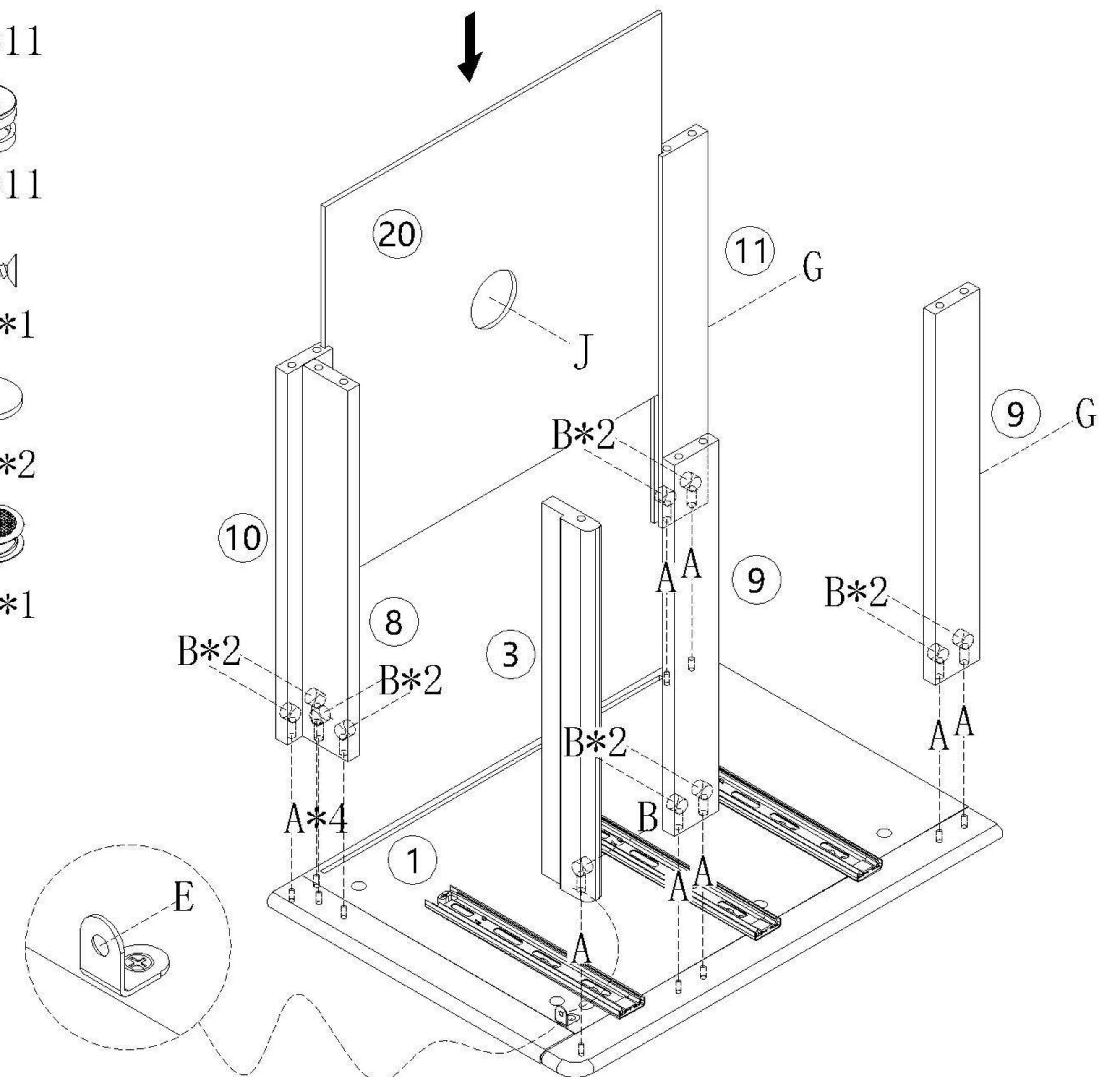
6

- (A)*2
- (B)*2



7

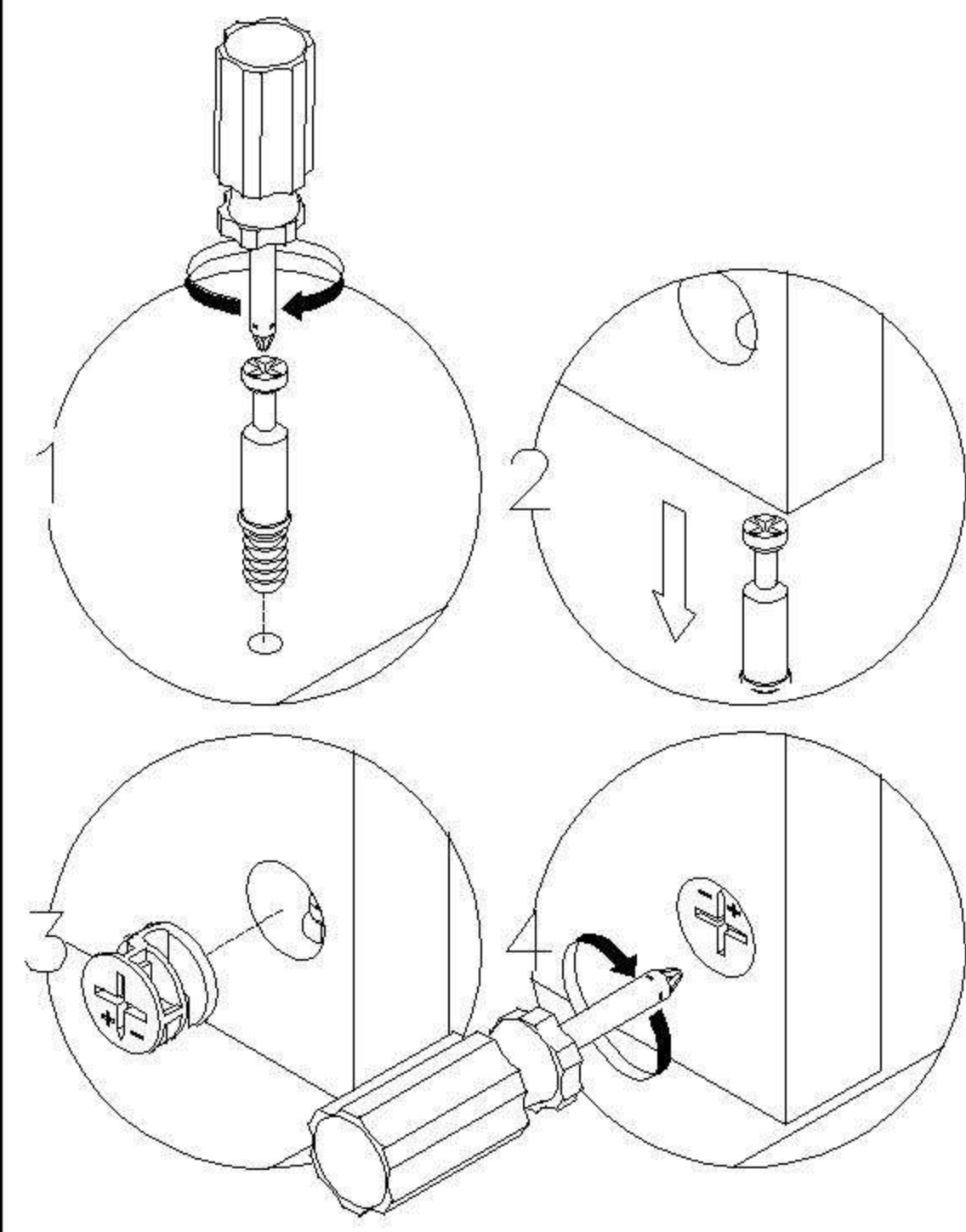
- (A)*11
- (B)*11
- (E)*1
- (G)*2
- (J)*1



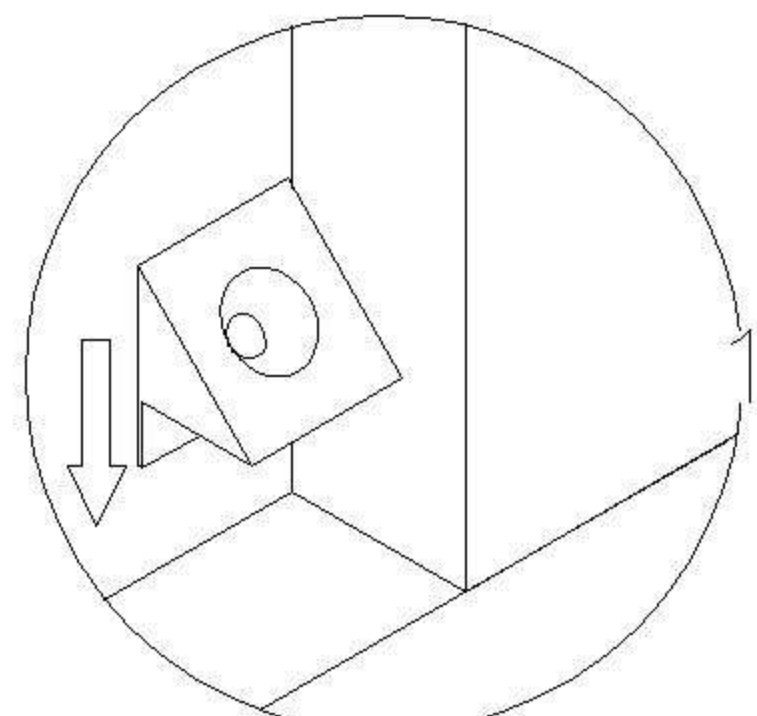
8

UB1B-A 三抽

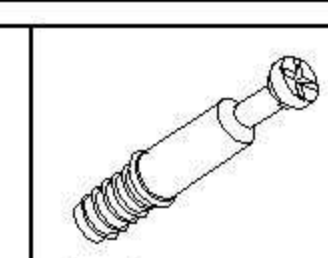
安装方法/
Installation method



二合一 two-in-one



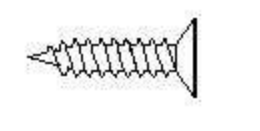
背板扣
Back Plate Buckle



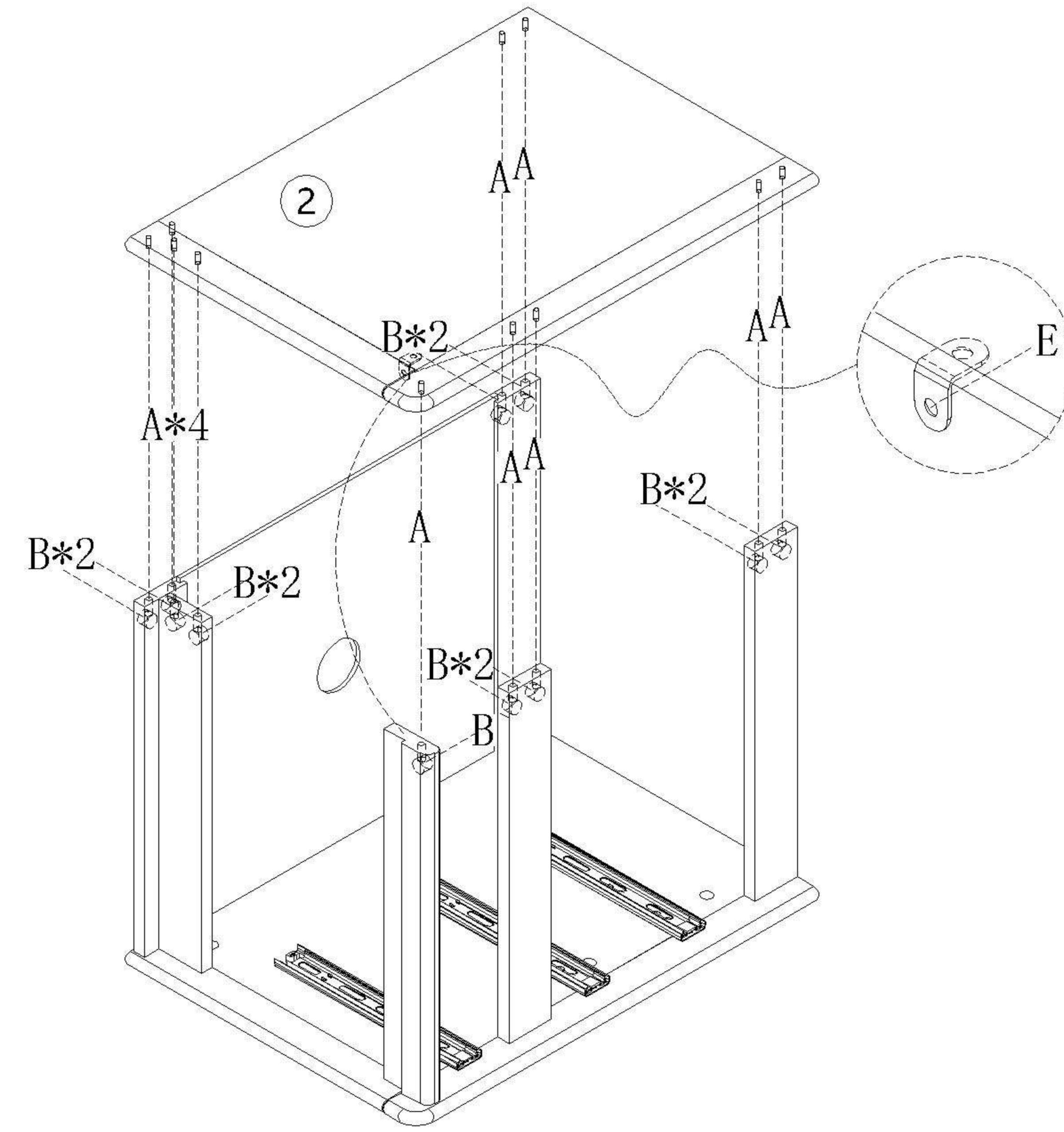
(A)*11



(B)*11

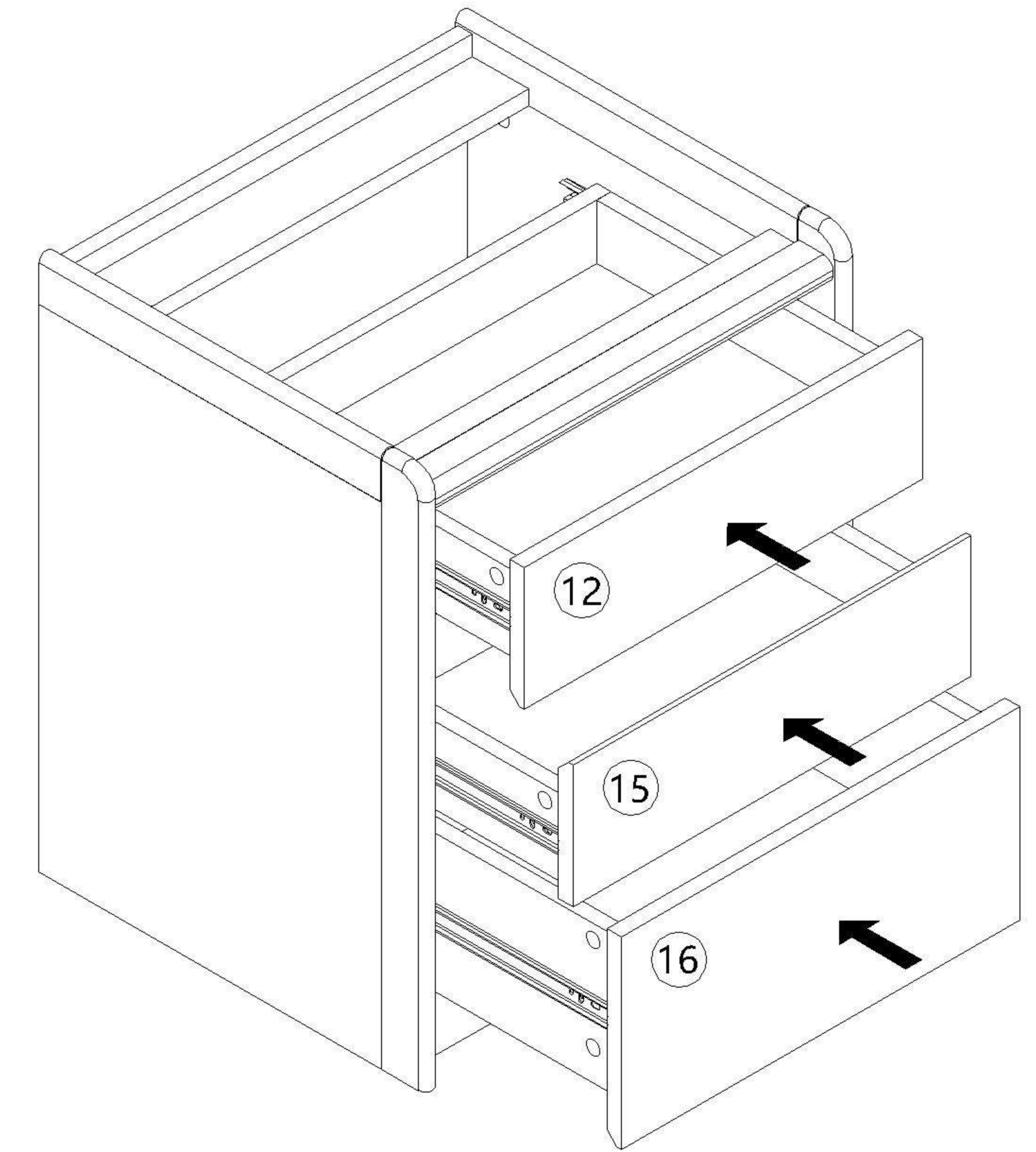


(E)*1



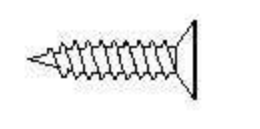
9

10



11

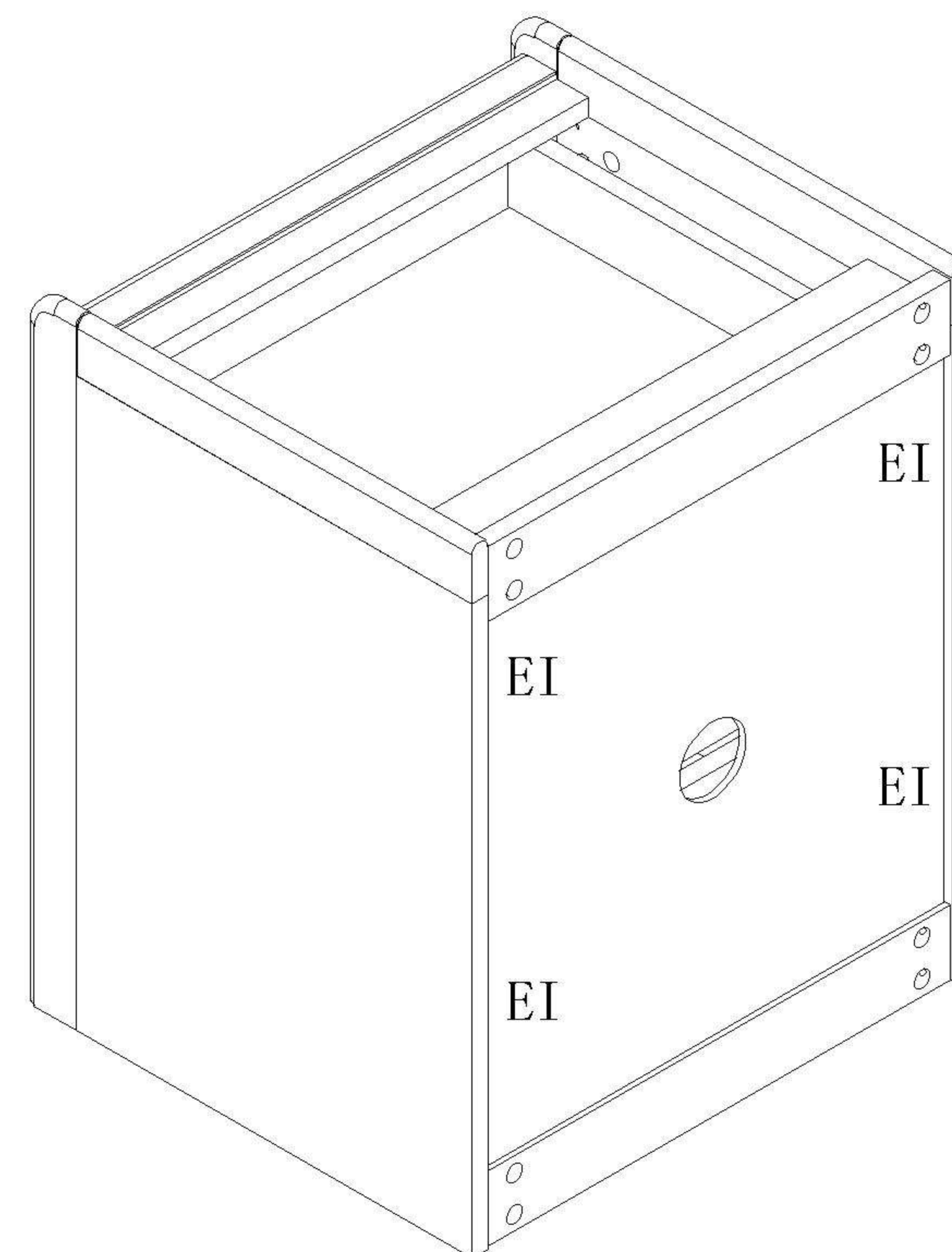
12



(E)*4



(I)*4



(H)*4

(K)*1

