

# LINSY 林氏家居

## 五金表/Hardware list

## 部件表/Parts List

### 安装示意图/Assembly Instruction

产品名称 Model NO.

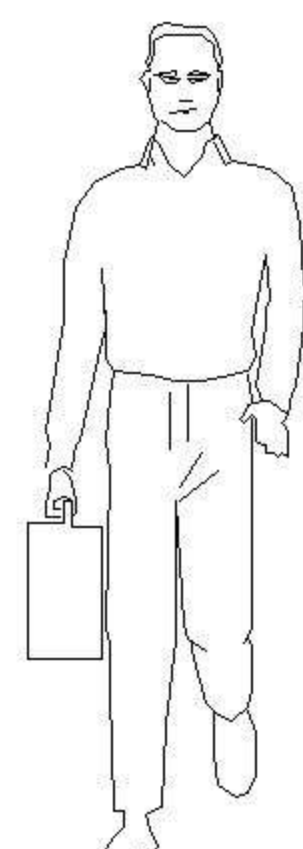
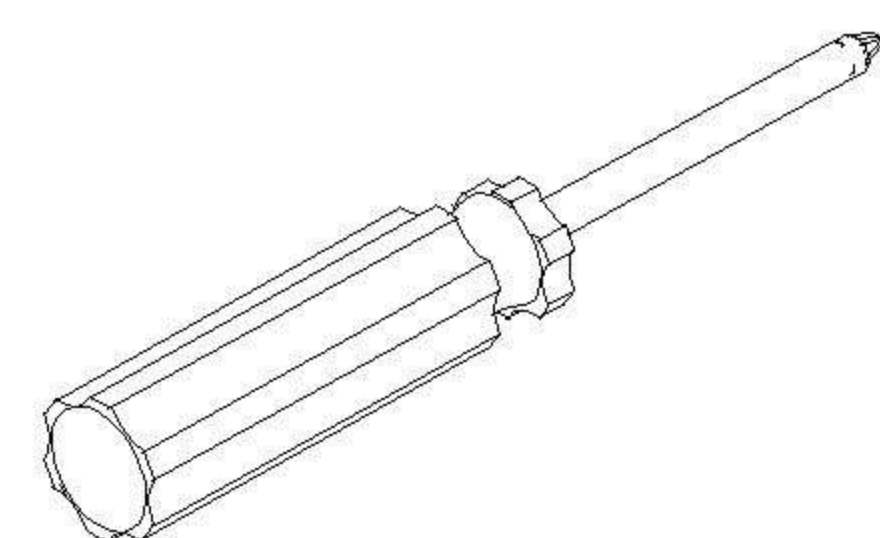
UB1B-A 双抽

产品规格 Specification

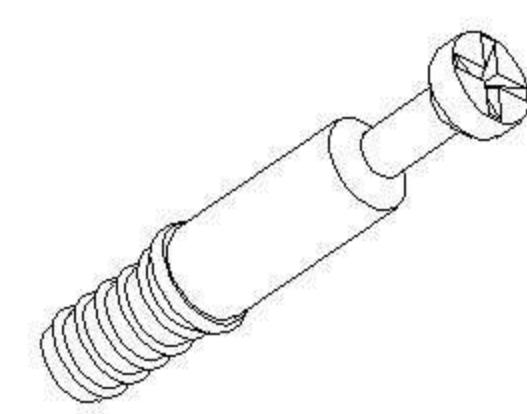
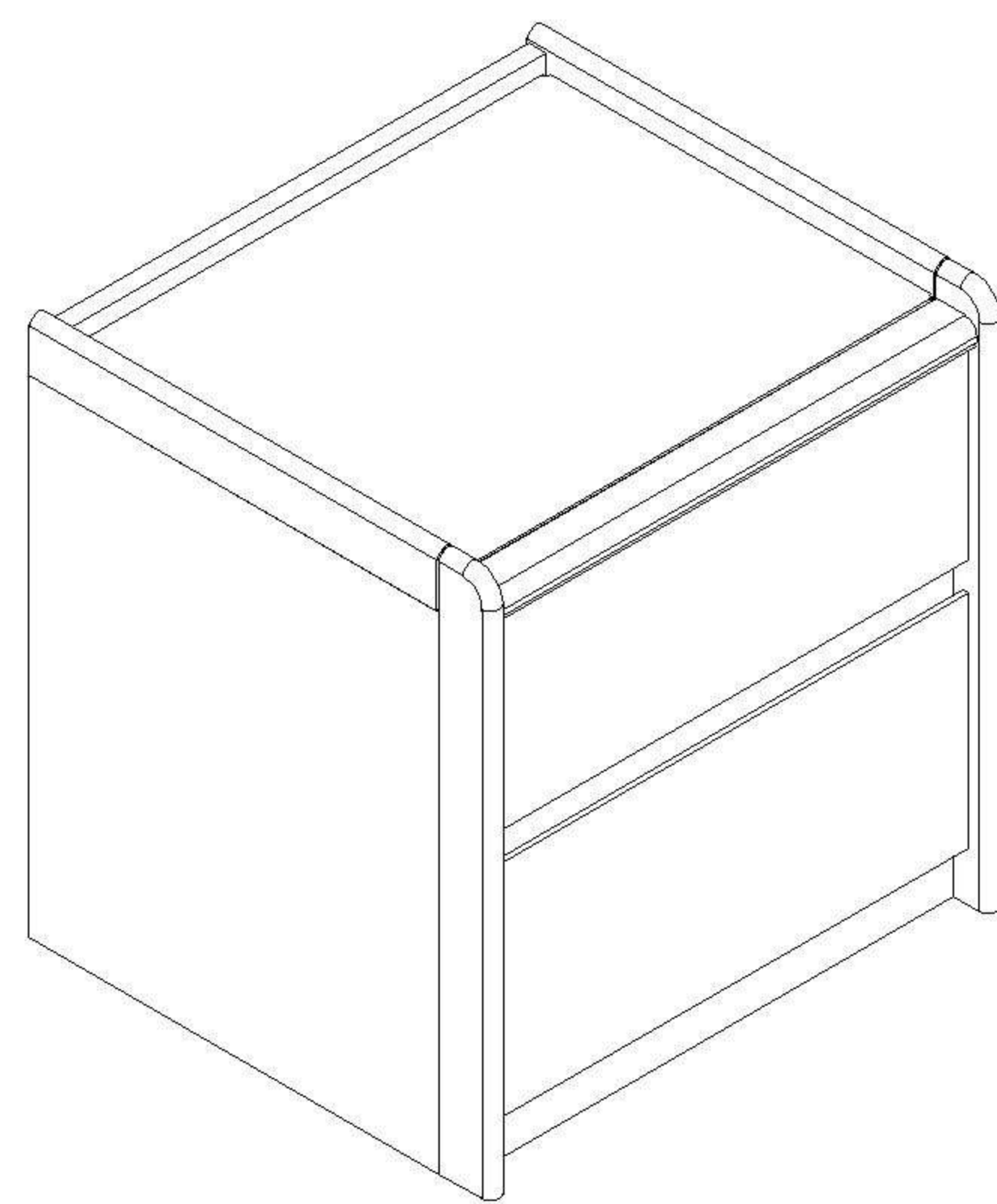
444\*398\*468mm

安装工具 Tool

安装人数 Installer

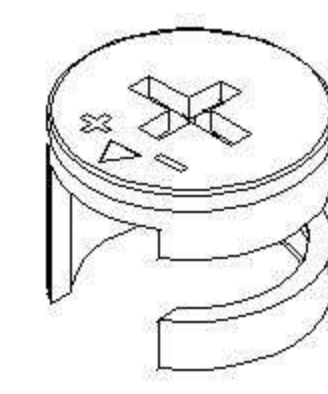


注：为保证设计效果，部分尺寸为定制尺寸，不影响使用。



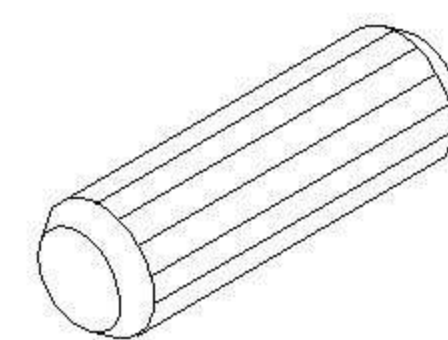
(A)\*51

二合一螺杆  
2-in-1-screw



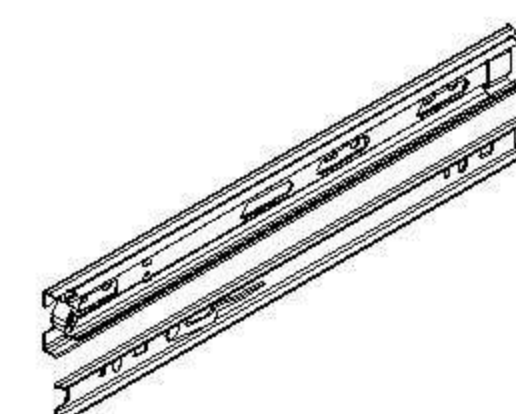
(B)\*51

大三合一锁饼  
3-in-1 large lock



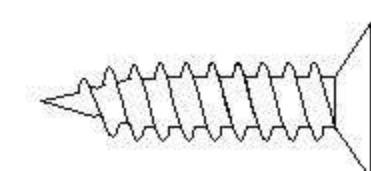
(C)\*11

木榫Ø8x30mm  
Wood tenon



(D)\*2

三节滚珠导轨10" (SH-ABC)  
Three-section rail



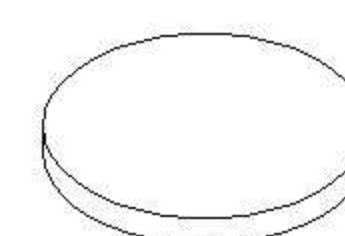
(E)\*34

白攻螺丝M3.5\*14mm  
Tapping screw



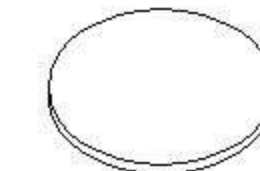
(F)\*2

L型角码14x21x1.5  
L-shaped corner



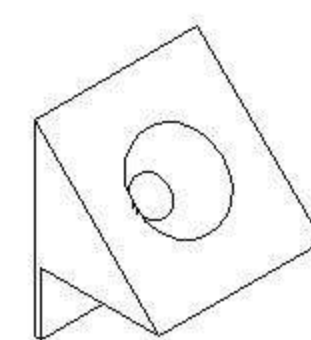
(G)\*6

灰色毛毡脚垫(Φ16\*3mm)  
Foot pad



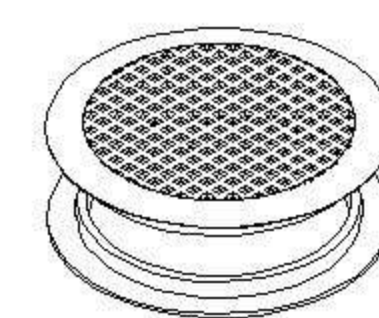
(H)\*4

透明圆形玻璃防滑垫  
Non-slip plastic pad



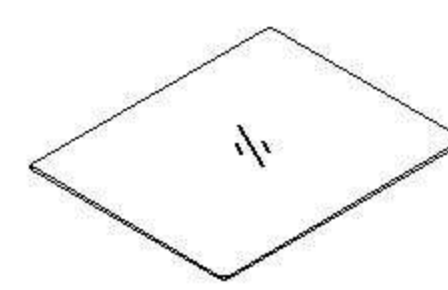
(I)\*4

背板扣  
White buckle



(J)\*1

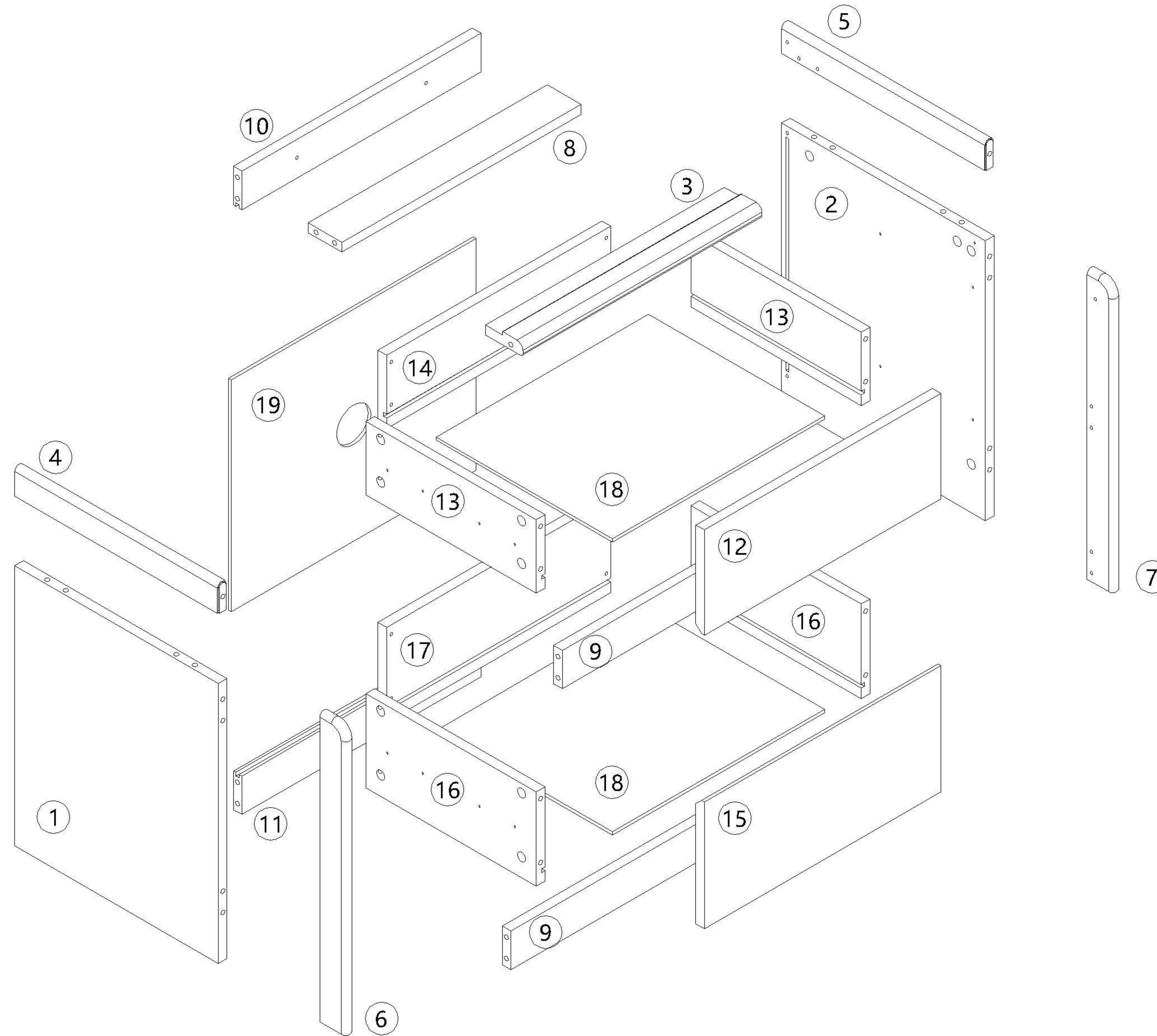
透气孔盖-白色  
Breathable cover



(K)\*1

茶色面板玻璃  
(412\*334\*5mm)  
Brown panel glass

编号NO.	名称Name	规格(mm) Specification	数量QTY	材质Material
①	左侧板Side board(L)	420*353*15	1	刨花板 Particle board
②	右侧板Side board(R)	420*353*15	1	刨花板 Particle board
③	饰条trim	414*65*20	1	橡胶木Rubber wood
④	左顶线top line (L)	353*45*15	1	橡胶木Rubber wood
⑤	右顶线top line (R)	353*45*15	1	橡胶木Rubber wood
⑥	左前柱Left front column	465*45*15	1	橡胶木Rubber wood
⑦	右前柱Right front post	465*45*15	1	橡胶木Rubber wood
⑧	上拉条Top brace	414*58*15	1	刨花板 Particle board
⑨	拉条Brace	414*58*15	2	刨花板 Particle board
⑩	背拉条Back brace	414*58*15	1	刨花板 Particle board
⑪	底拉条Bottom brace	414*58*15	1	刨花板 Particle board
⑫	上抽屉面板Upper drawer's panel	410*158*15	1	刨花板 Particle board
⑬	上抽屉侧板Upper drawer side panels	295*110*15	2	刨花板 Particle board
⑭	上抽屉后板Upper drawer's back board	388*110*15	1	刨花板 Particle board
⑮	下抽屉面板Bottom drawer's panel	410*190*15	1	刨花板 Particle board
⑯	下抽屉侧板Lower drawer side panels	295*142*15	2	刨花板 Particle board
⑰	下抽屉后板Down drawer's back board	388*142*15	1	刨花板 Particle board
⑱	抽屉底板Drawer's Bottom board	368*305*5	2	纤维板Fiberboard
⑲	背板Back board	424*348*5	1	纤维板Fiberboard



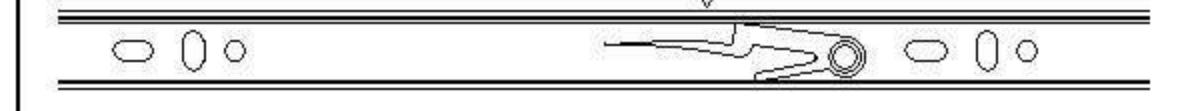
编号NO.	名称Name
①	左侧板Side board(L)
②	右侧板Side board(R)
③	饰条trim
④	左顶线top line (L)
⑤	右顶线top line (R)
⑥	左前柱Left front column
⑦	右前柱Right front post
⑧	上拉条Top brace
⑨	拉条Brace
⑩	背拉条Back brace
⑪	底拉条Bottom brace
⑫	上抽屉面板Upper drawer's panel
⑬	上抽屉侧板Upper drawer side panels
⑭	上抽屉后板Upper drawer's back board
⑮	下抽屉面板Bottom drawer's panel
⑯	下抽屉侧板Lower drawer side panels
⑰	下抽屉后板Down drawer's back board
⑱	抽屉底板Drawer's Bottom board
⑲	背板Back board

UB1B-A 双抽

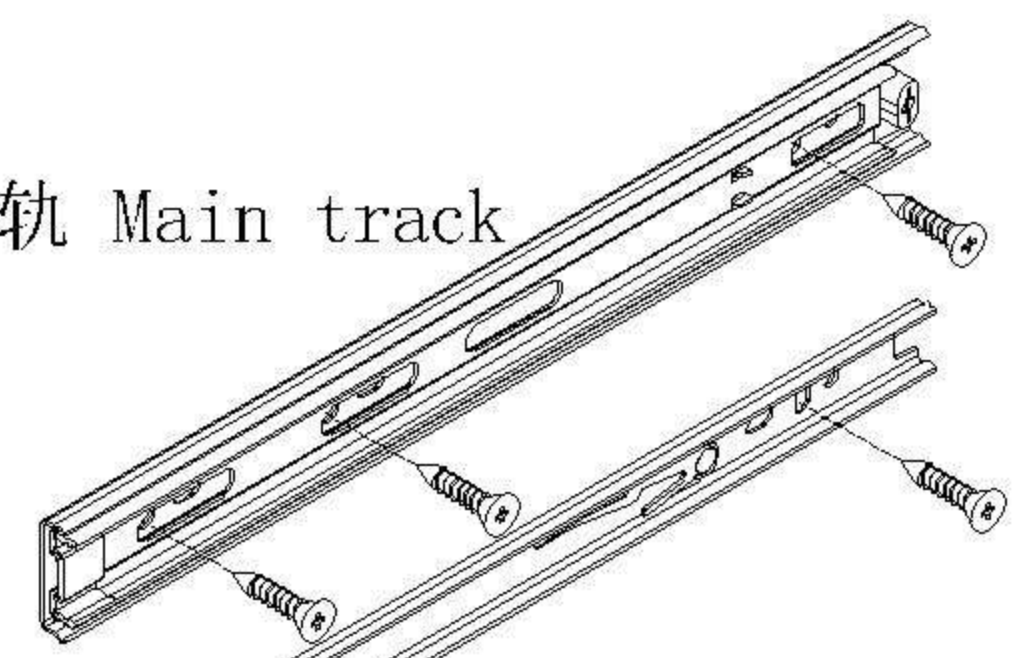
安装方法/  
Installation method

阀门开关(下压为开)  
Valve switch (press down to open)

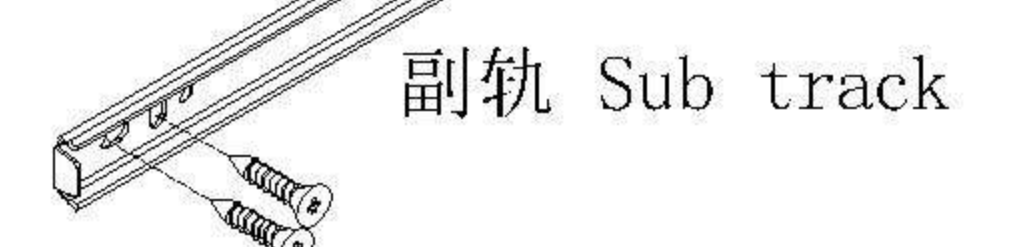
前 Forward      后 Back



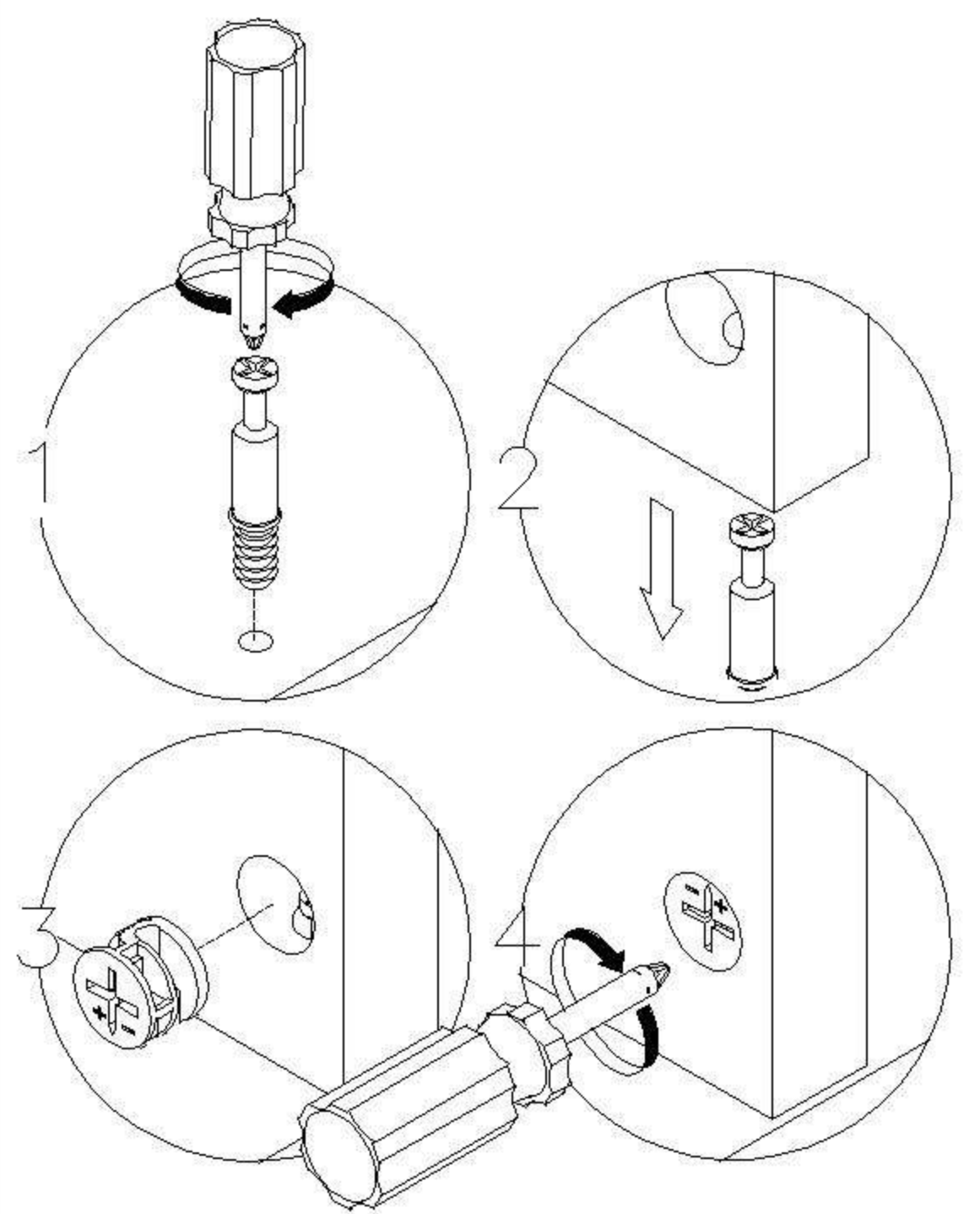
主轨 Main track



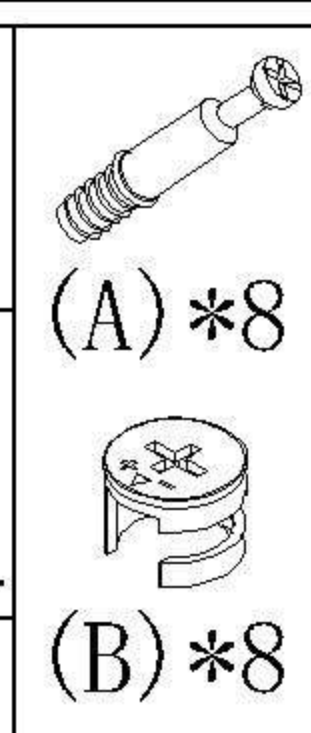
副轨 Sub track



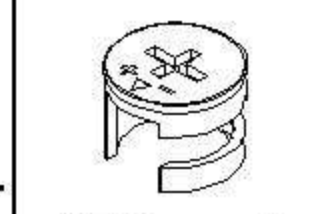
三节滚珠导轨-10"  
Three-section rail



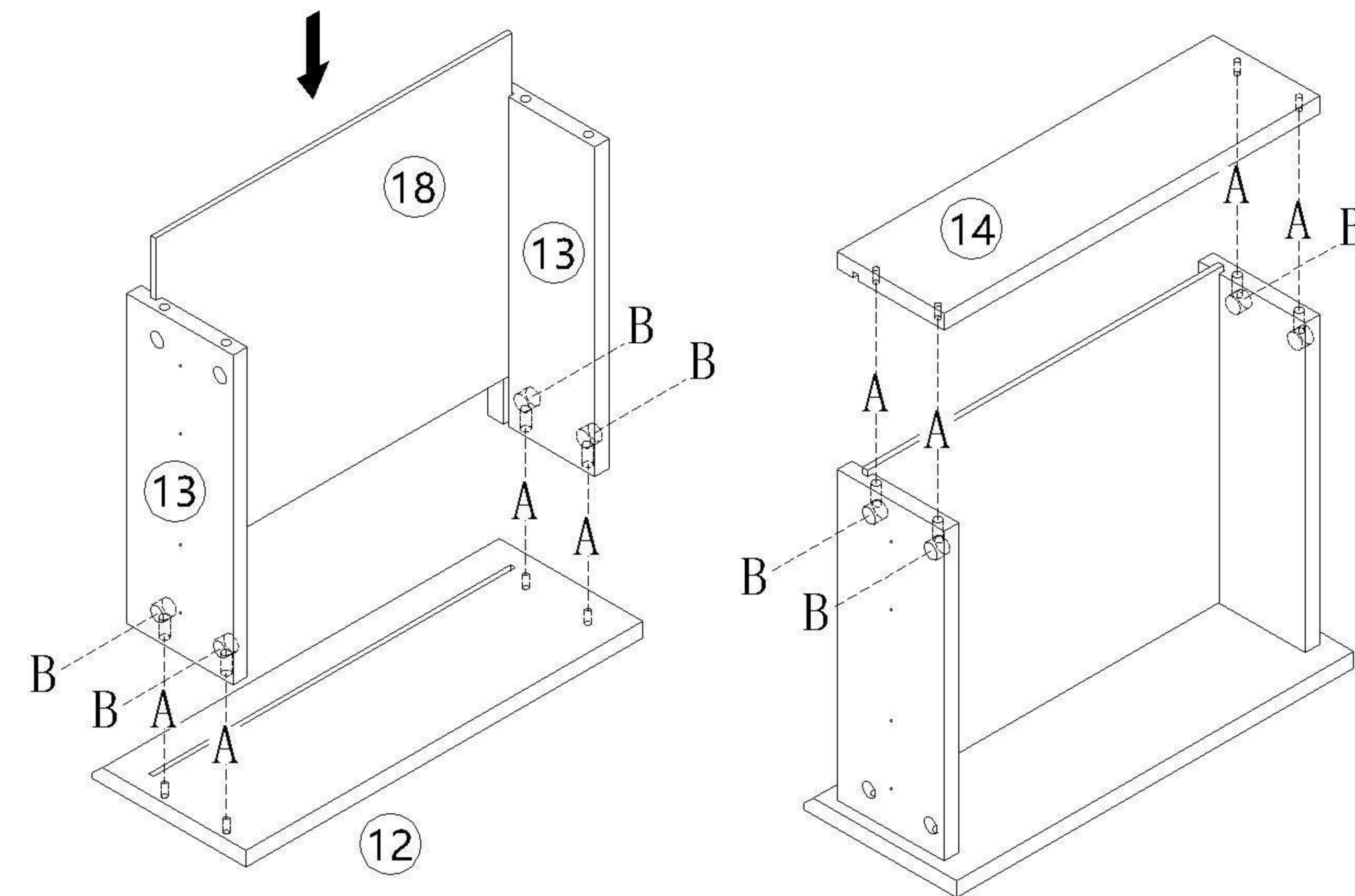
二合一 two-in-one



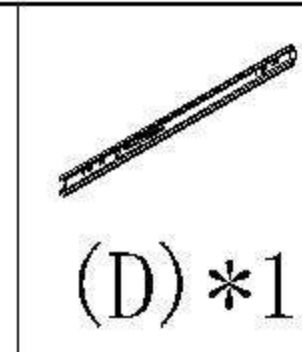
(A)\*8



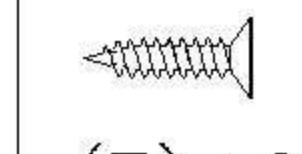
(B)\*8



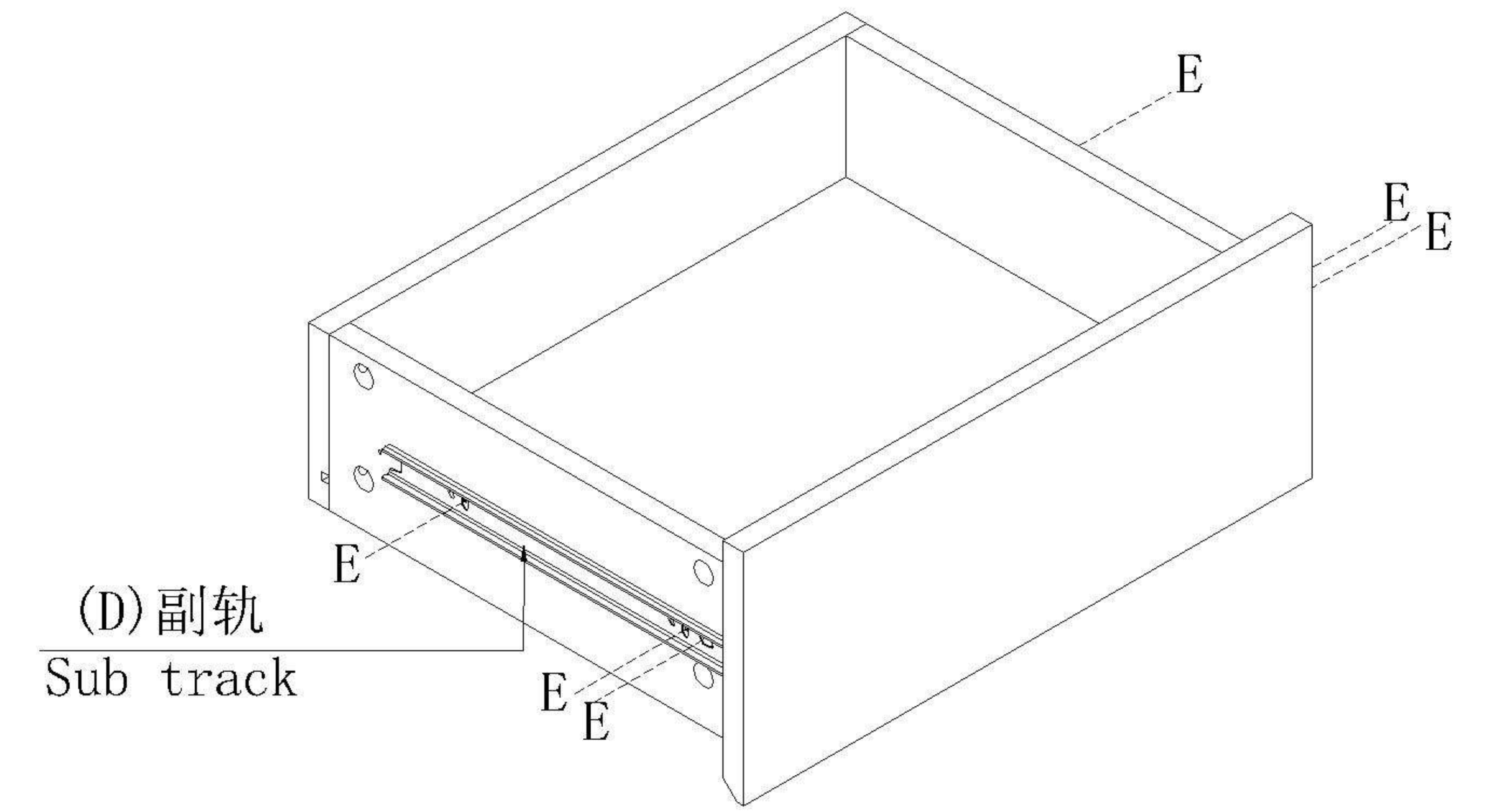
1



(D)\*1

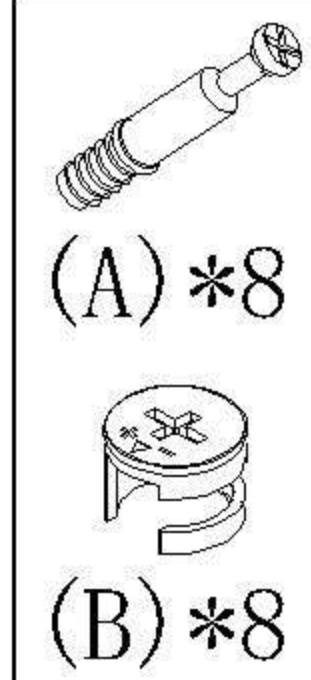


(E)\*6



(D) 副轨  
Sub track

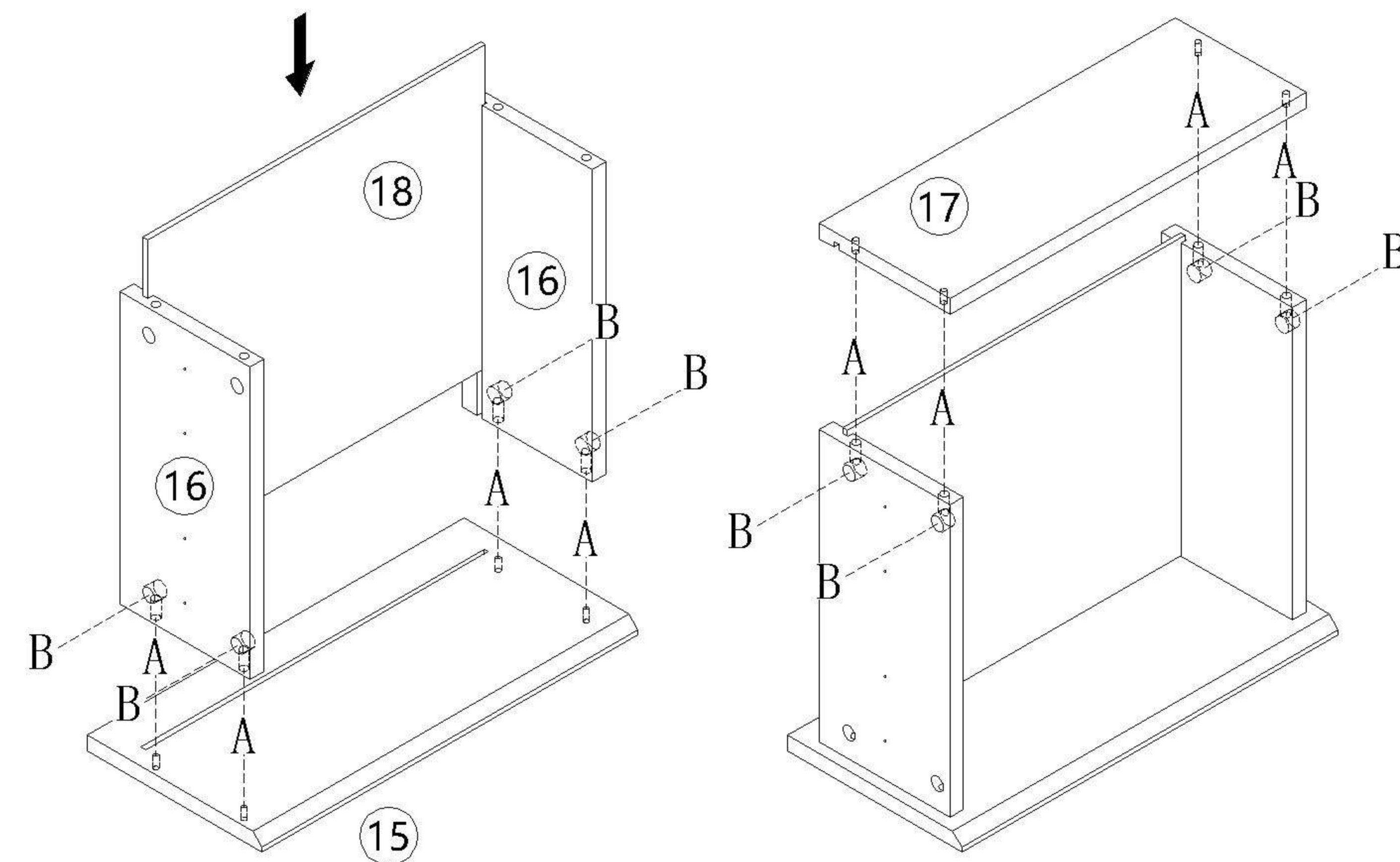
2



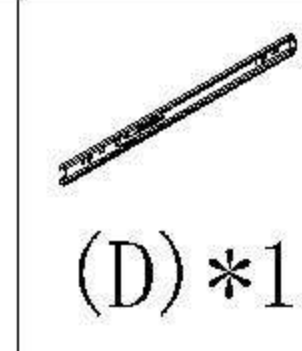
(A)\*8



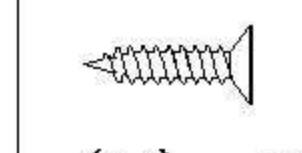
(B)\*8



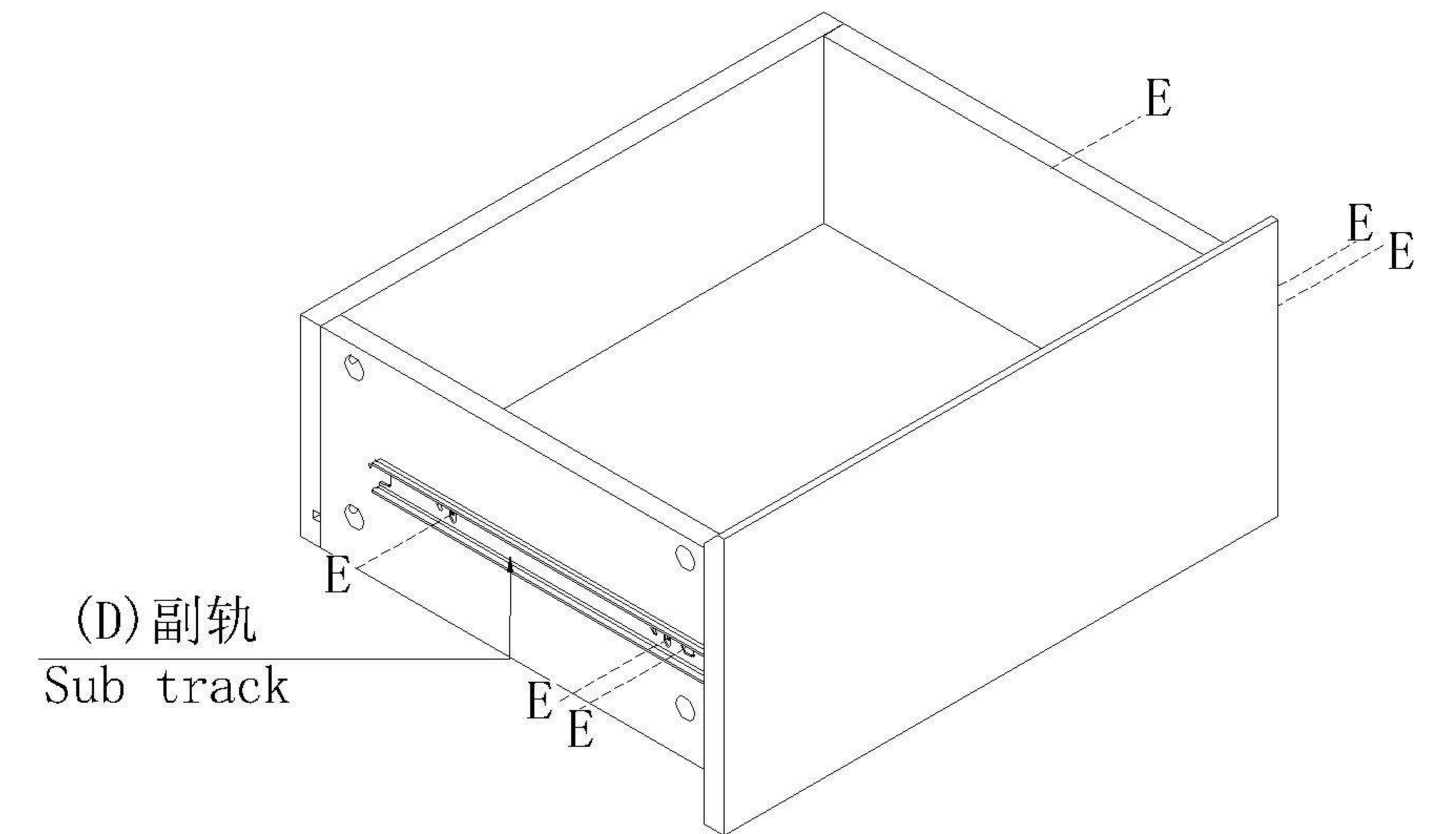
3



(D)\*1



(E)\*6



(D) 副轨  
Sub track

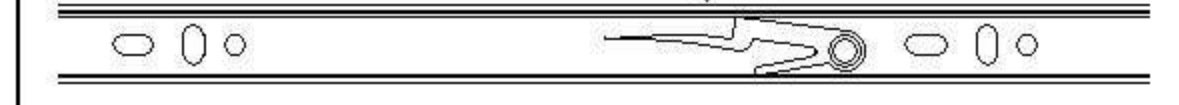
4

UB1B-A 双抽

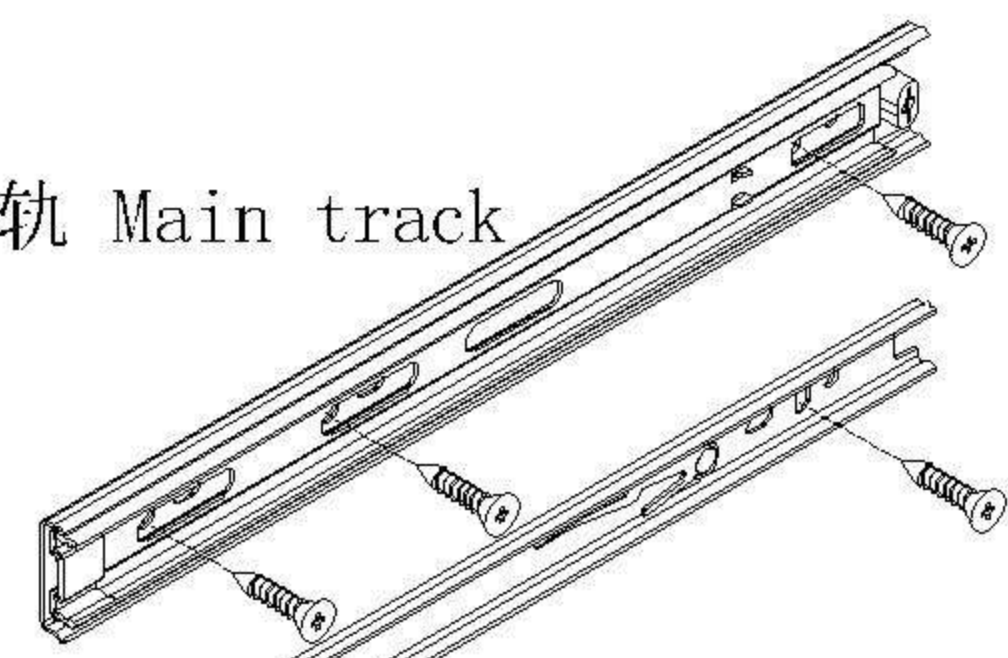
安装方法/  
Installation method

阀门开关(下压为开)  
Valve switch (press down to open)

前 Forward      后 Back



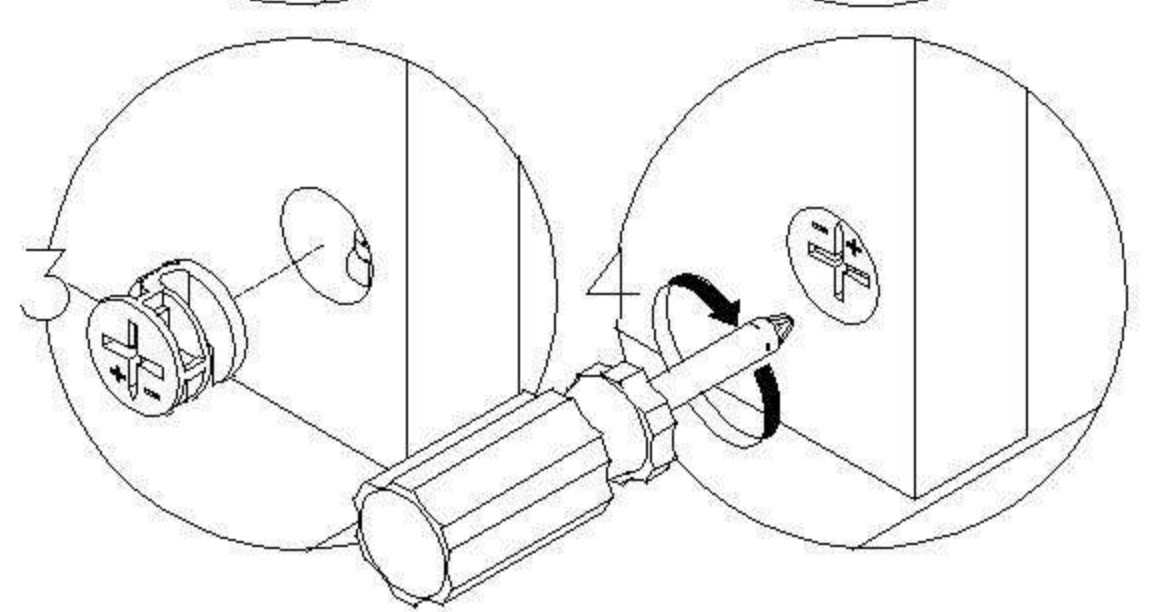
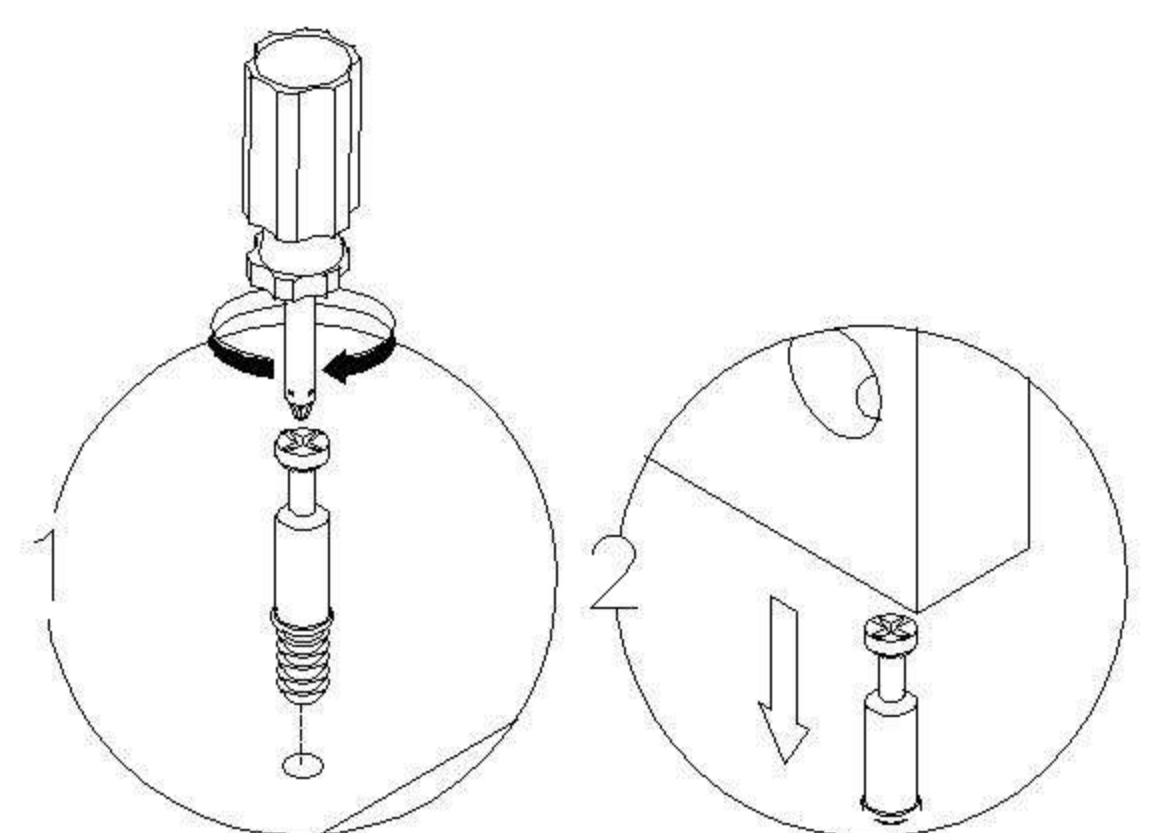
主轨 Main track



副轨 Sub track

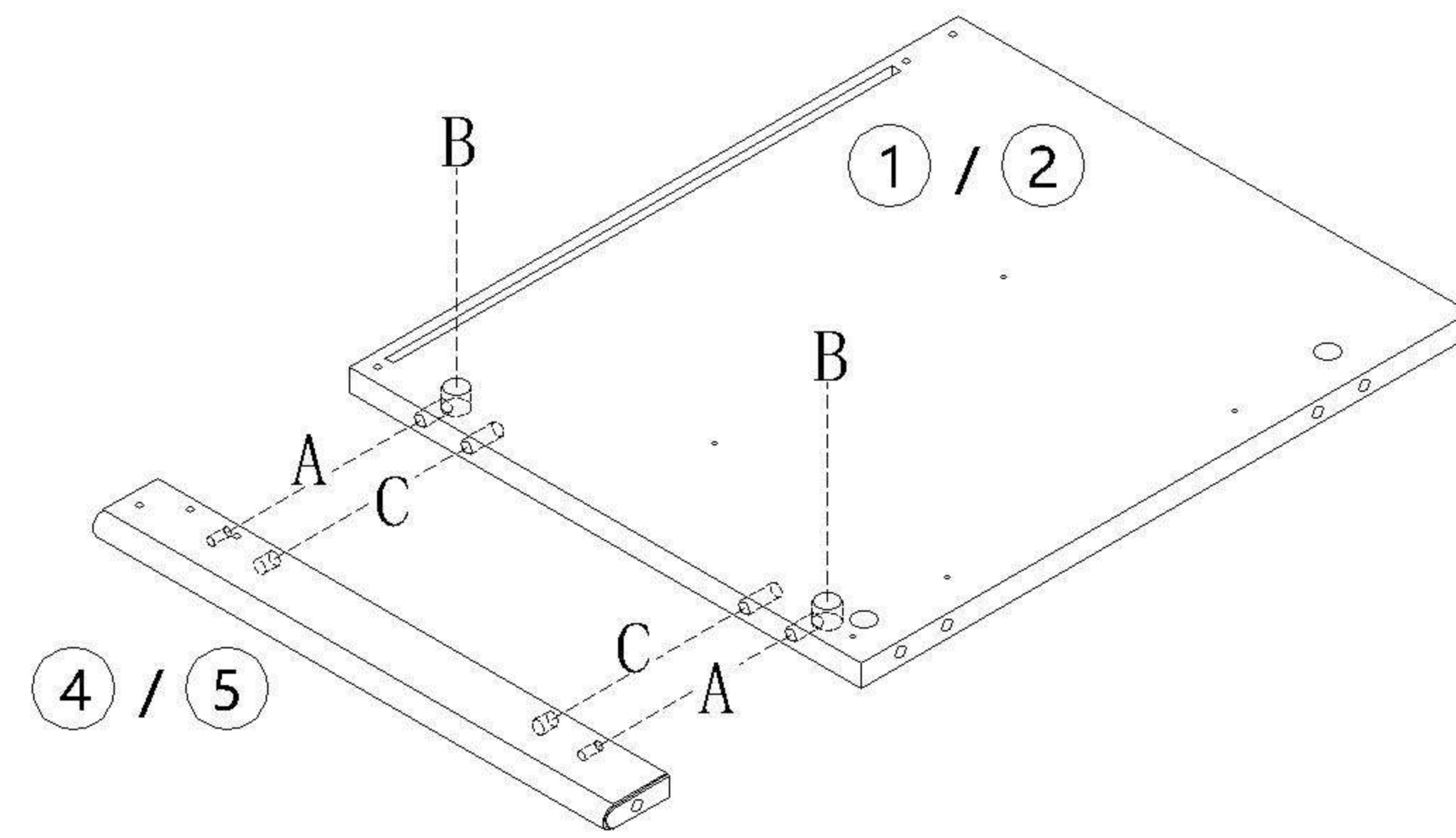


三节滚珠导轨-10"  
Three-section rail



二合一 two-in-one

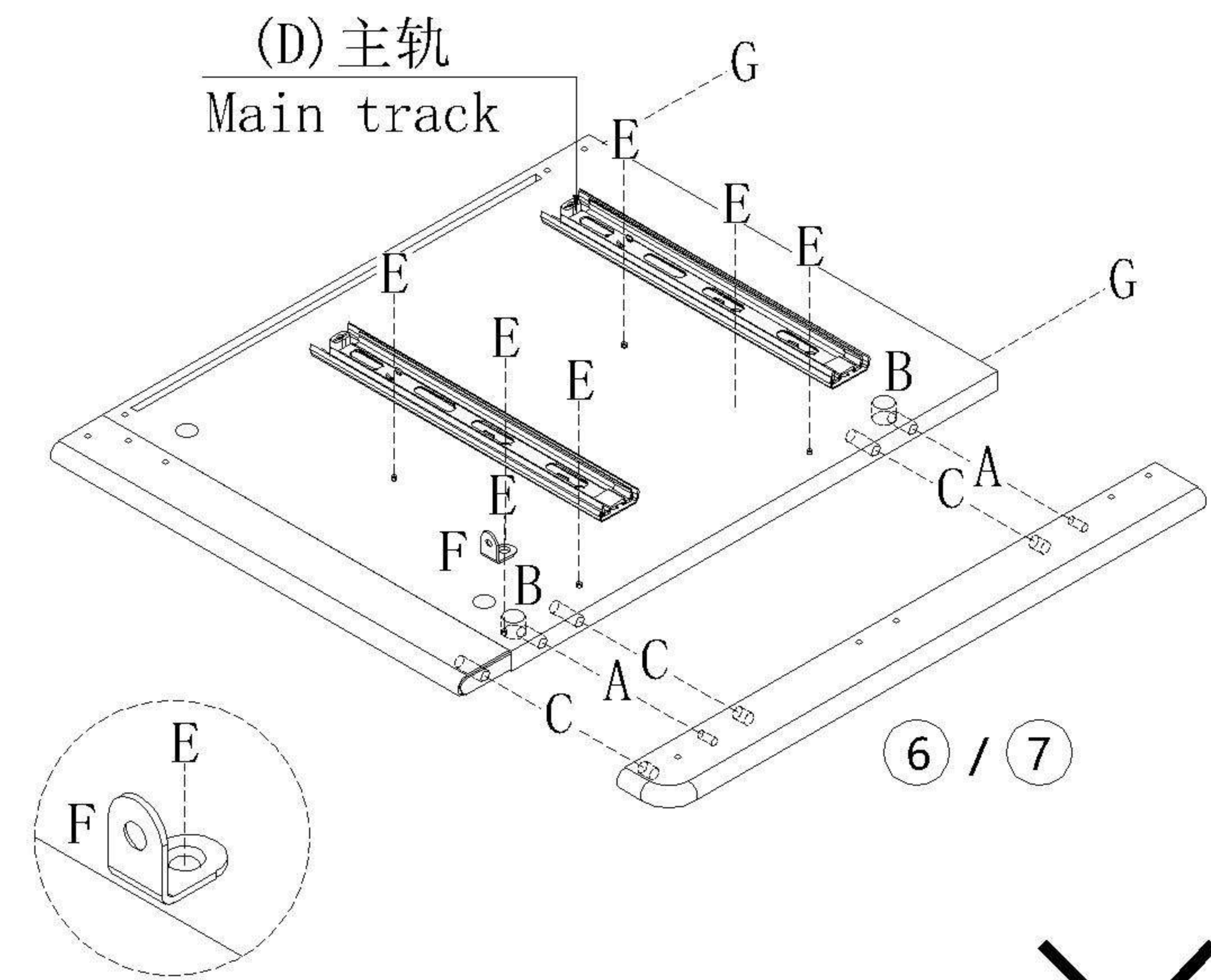
- (A)\*4
- (B)\*4
- (C)\*4



× 2

5

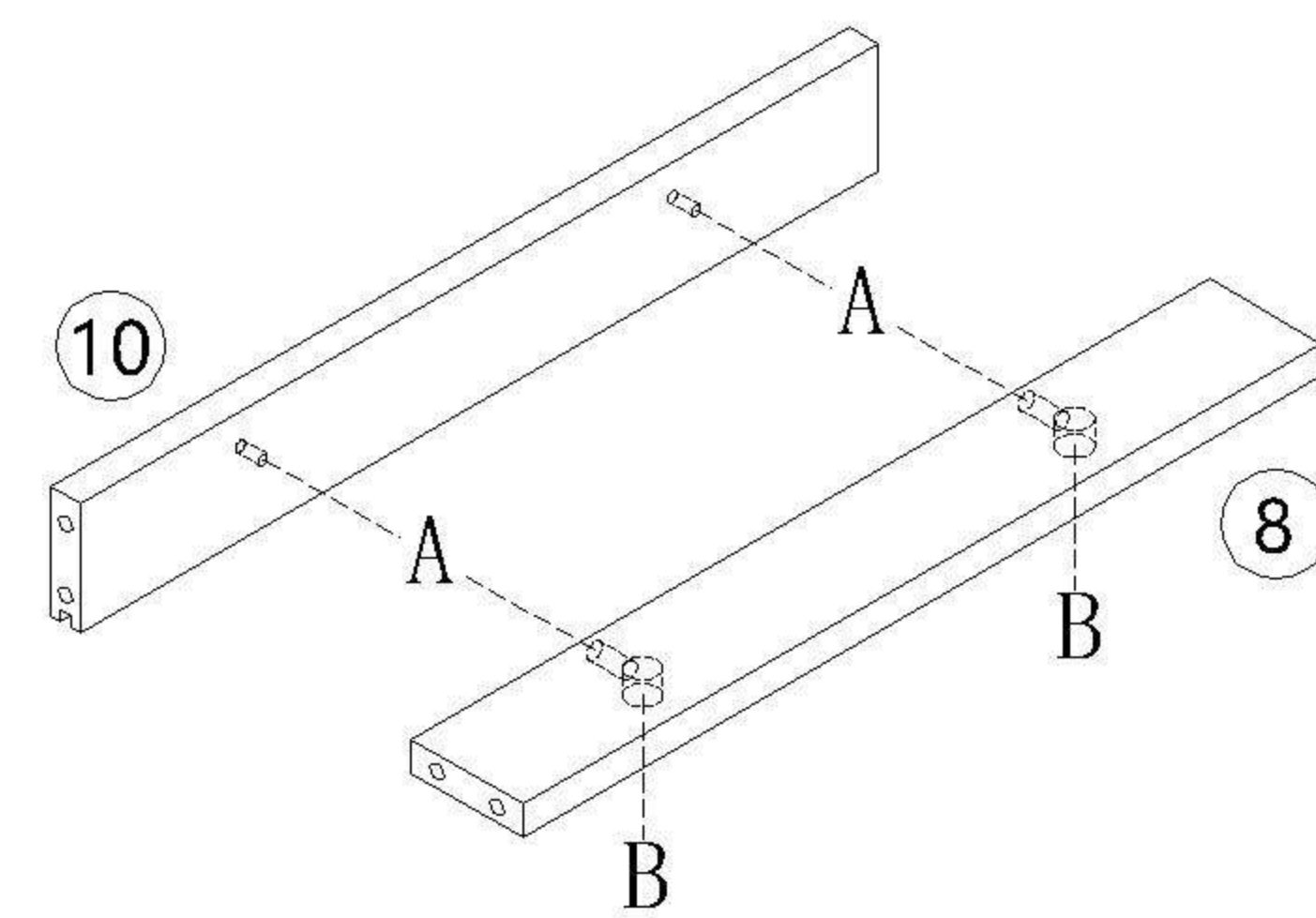
- (A)\*4
- (B)\*4
- (C)\*6
- (D)\*2
- (E)\*14
- (F)\*2
- (G)\*4



× 2

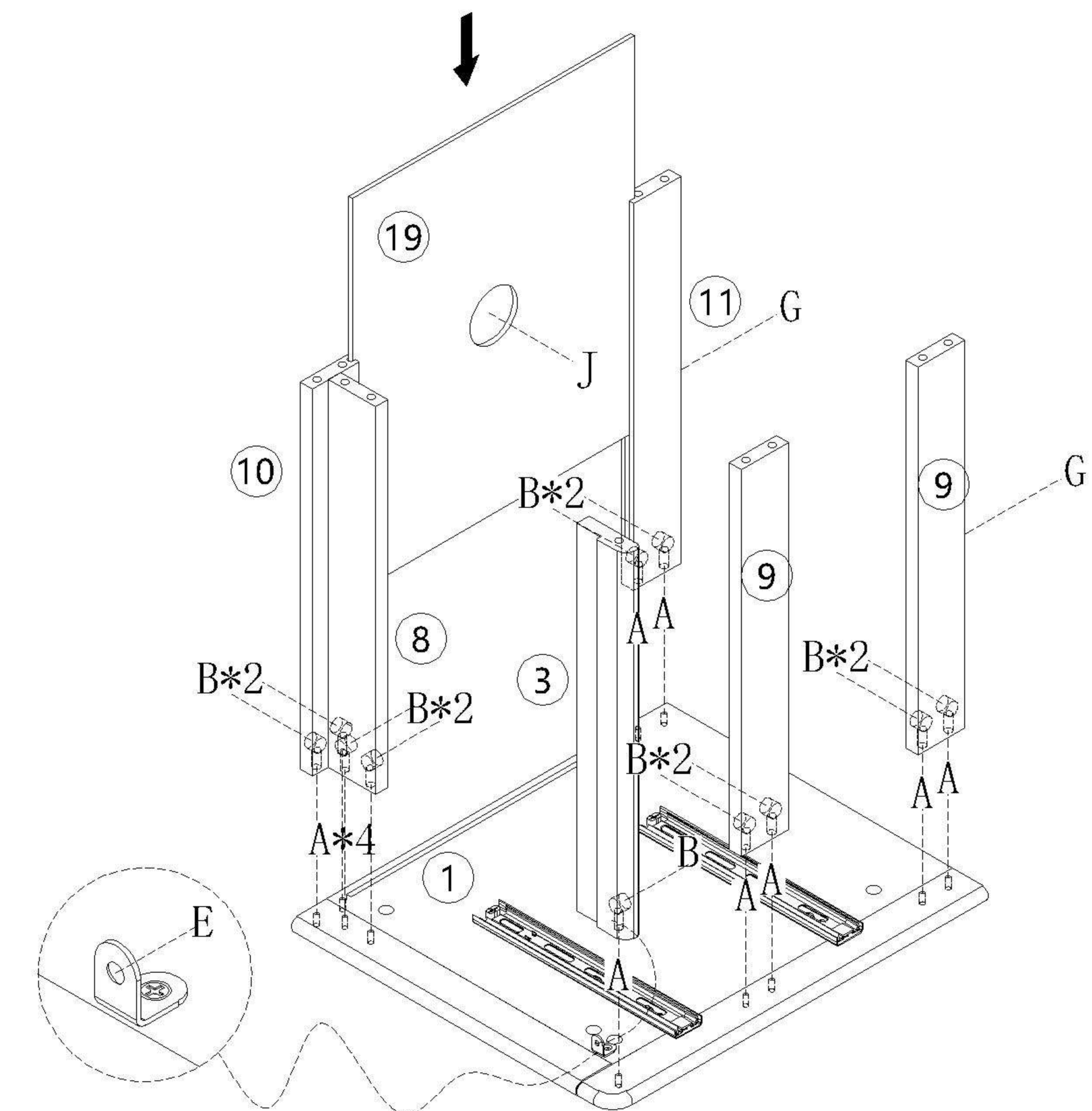
6

- (A)\*2
- (B)\*2



7

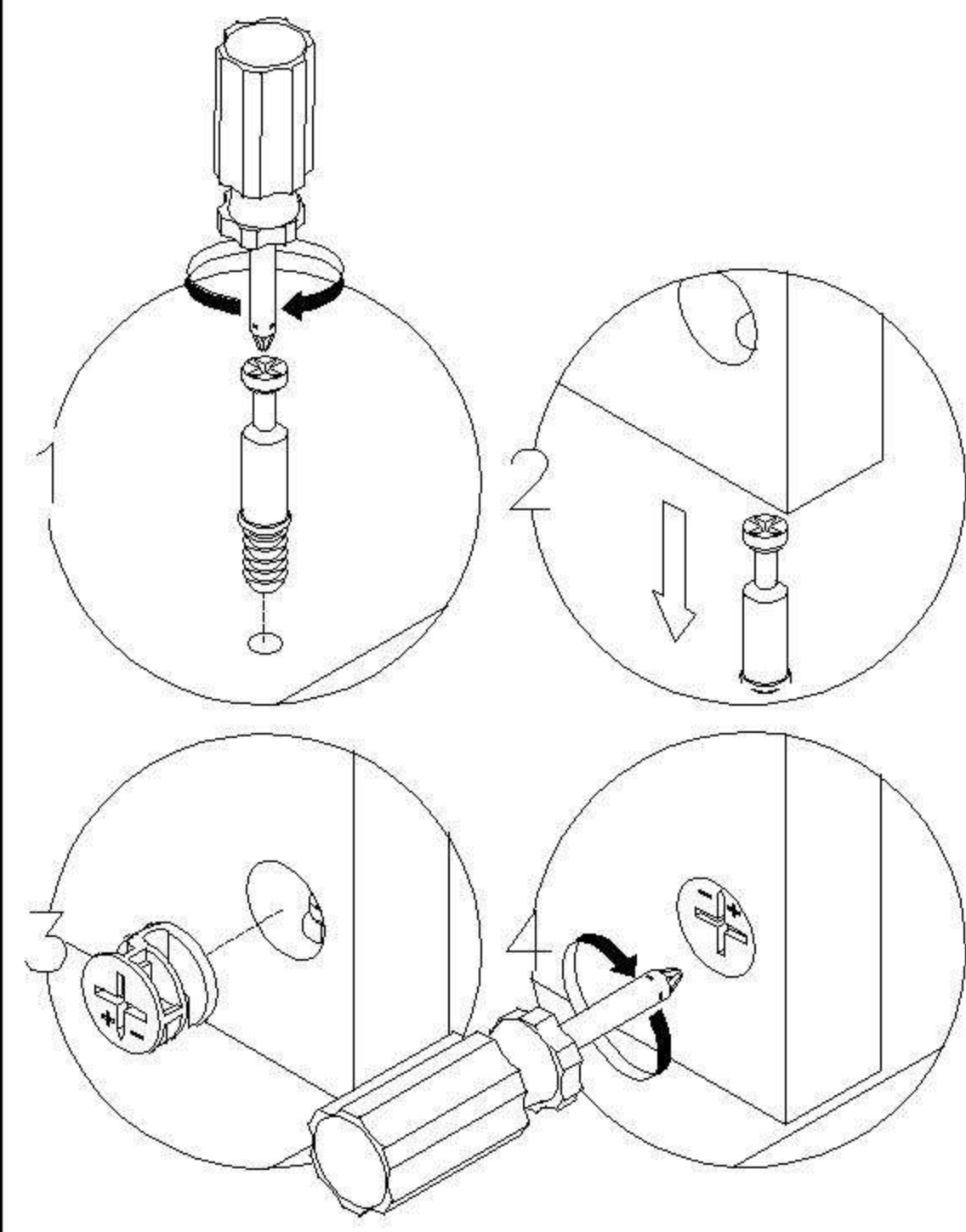
- (A)\*11
- (B)\*11
- (E)\*1
- (G)\*2
- (J)\*1



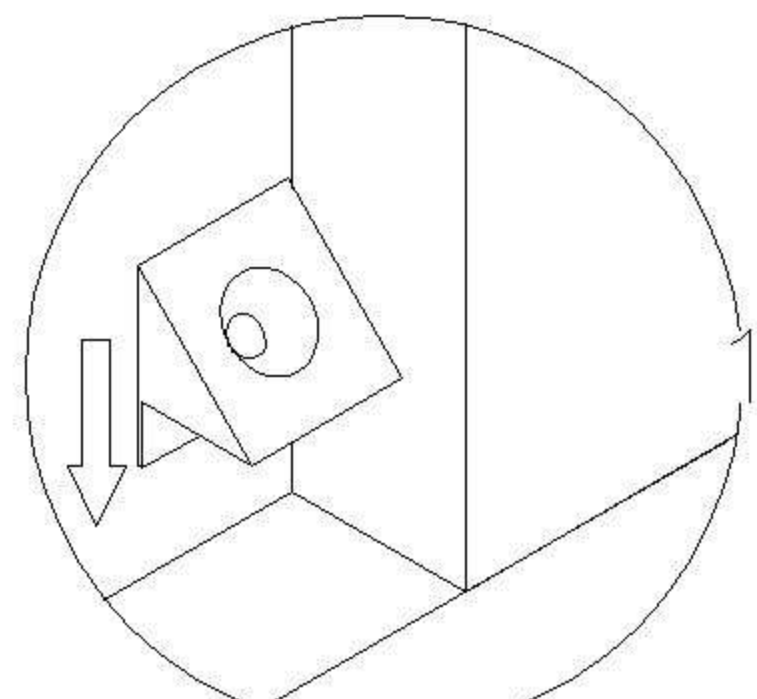
8

UB1B-A 双抽

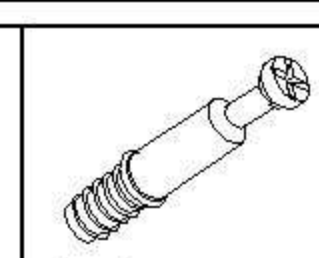
安装方法/  
Installation method



二合一 two-in-one



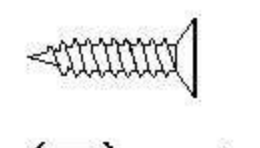
背板扣  
Back Plate Buckle



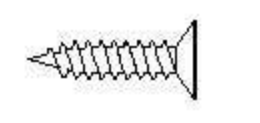
(A)\*11



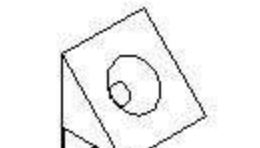
(B)\*11



(E)\*1

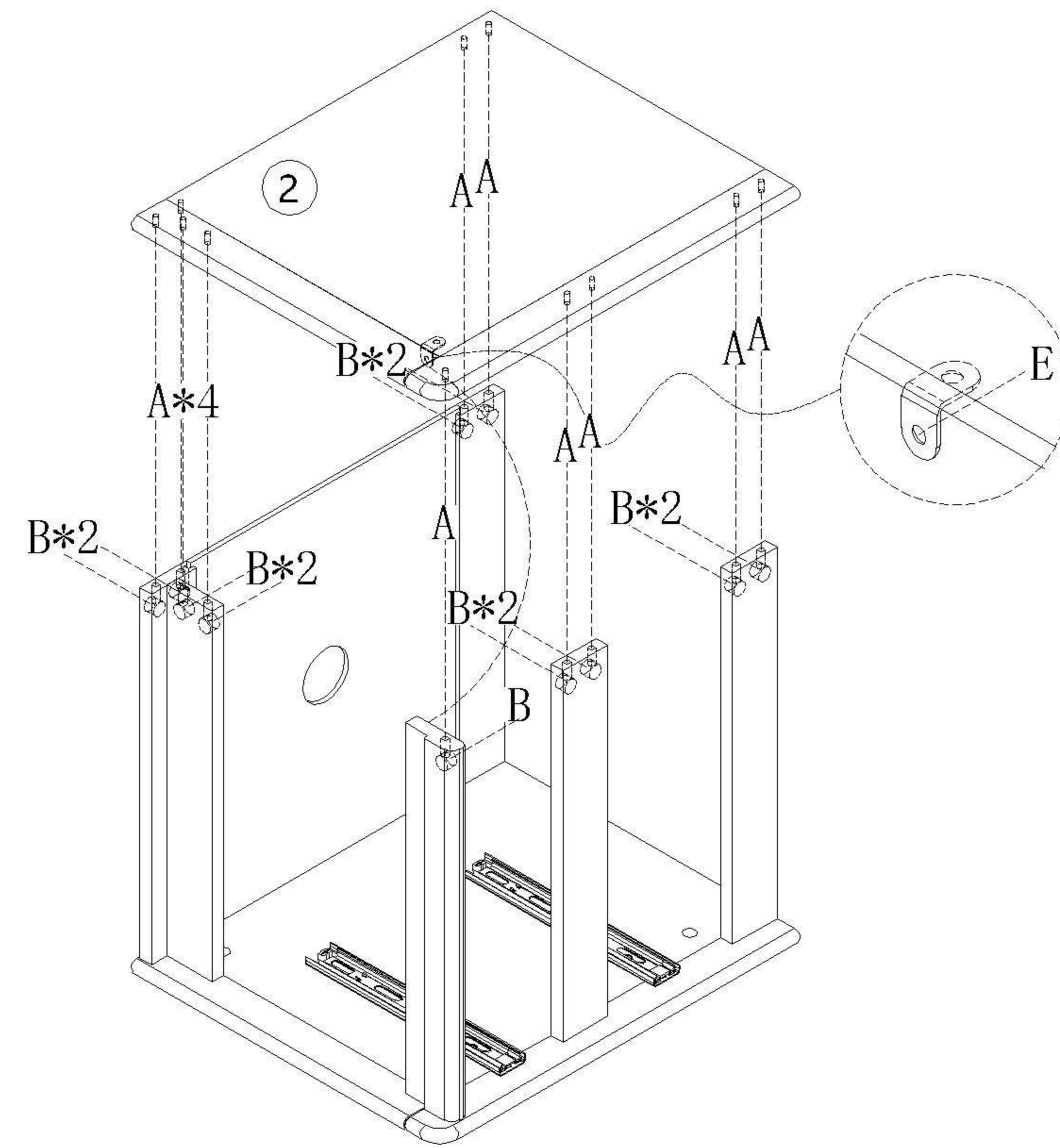


(E)\*4

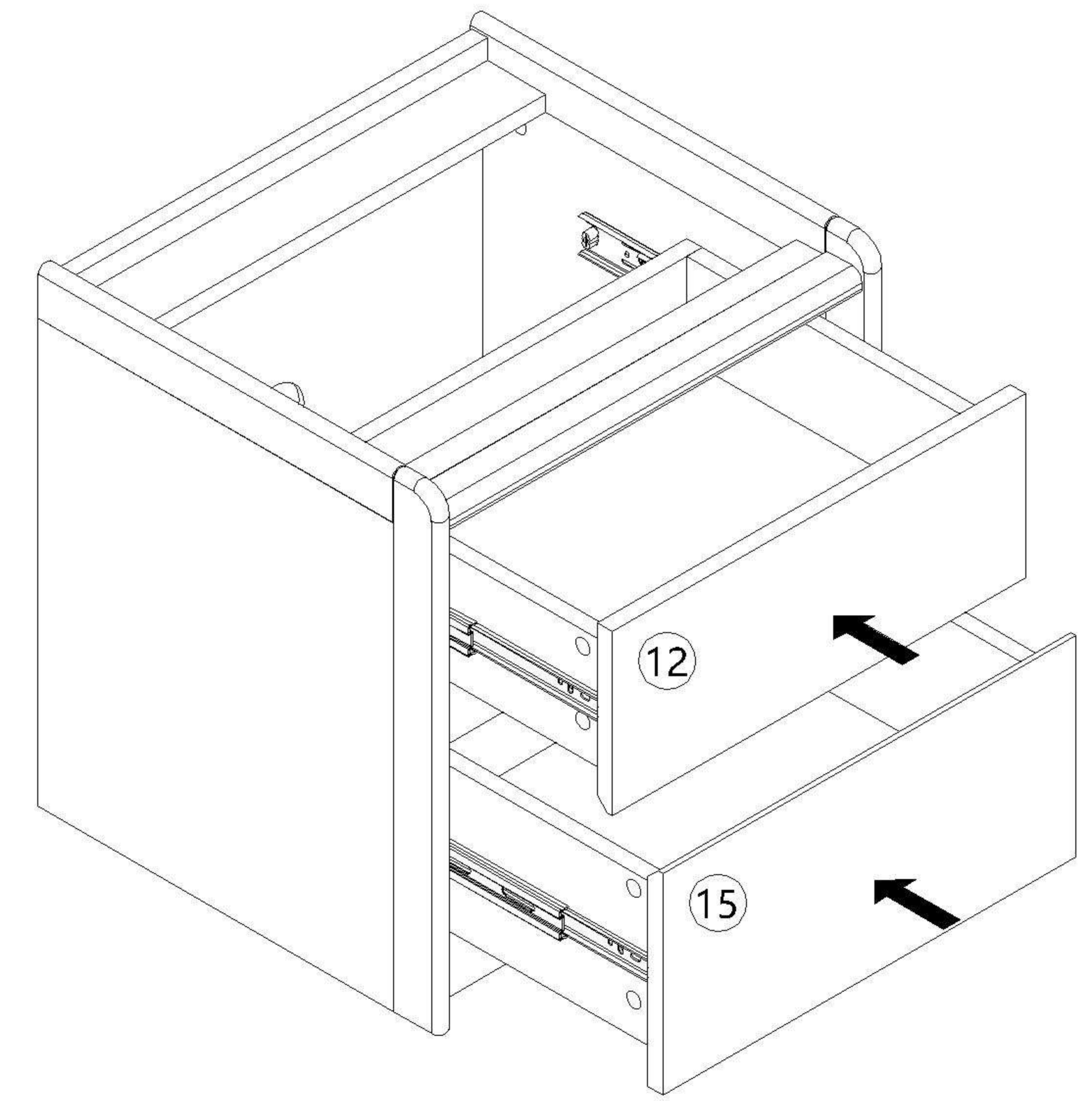


(I)\*4

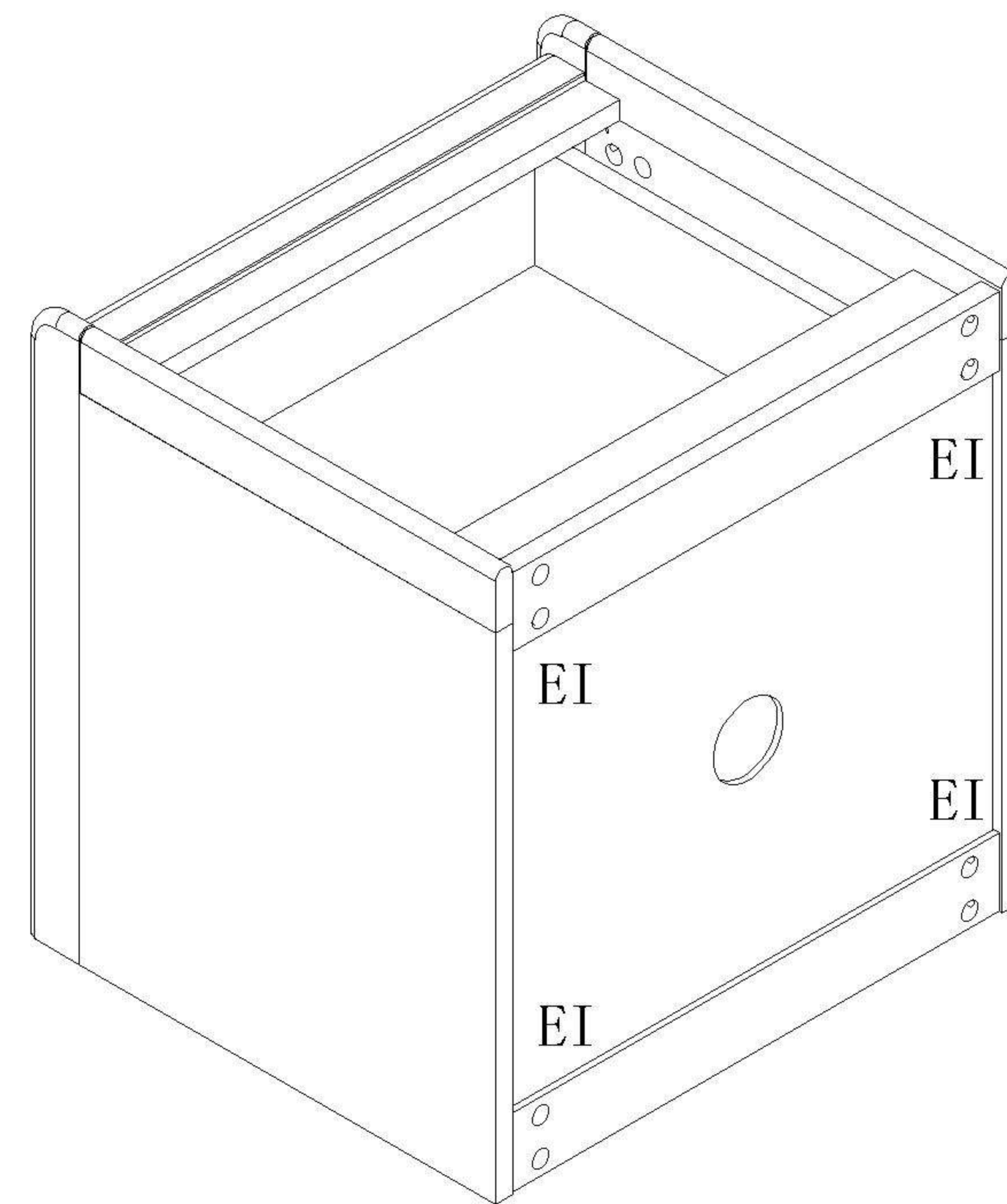
9



10



11



(H)\*4

(K)\*1

12

