



LINSY 林氏家居

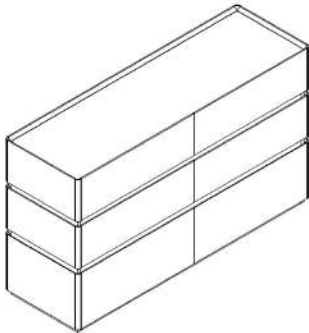
五金表/Hardware list

部件表/Parts List

安装示意图/Assembly Instruction

产品名称 Model NO.	UBIE-A(六斗柜)
产品规格 Specification	1229*390*712mm
安装工具 Tool	安装人数 Installer
	

注：为保证设计效果，部分尺寸为定制尺寸，不影响使用。



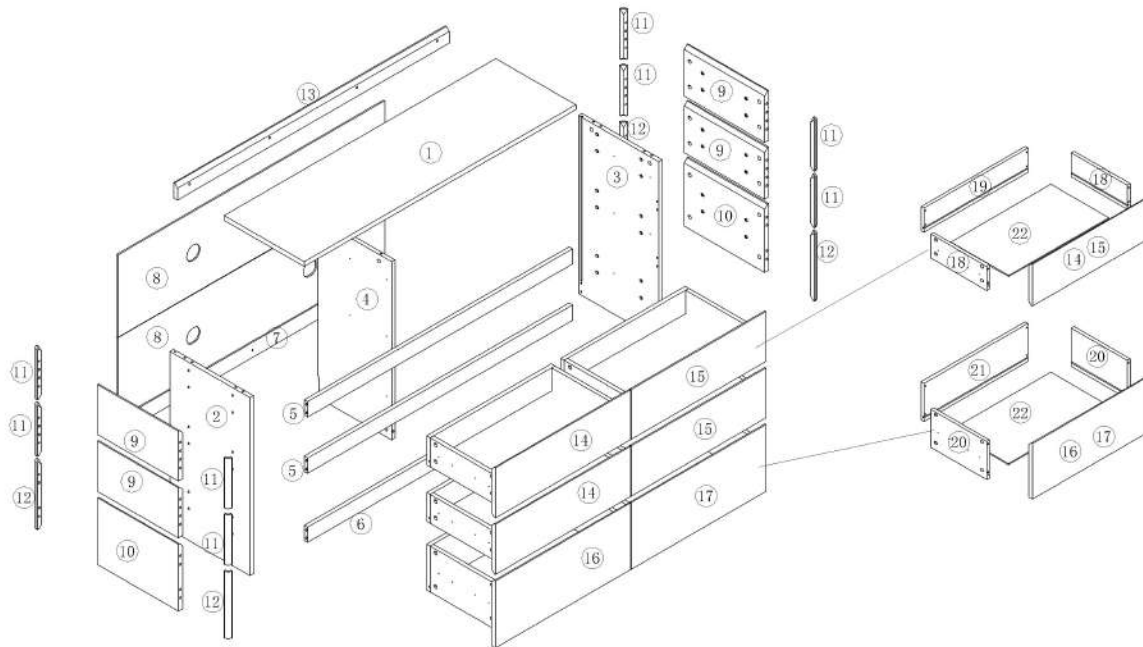
(A)*101 二合一螺杆 2-in-1-screw	(B)*101 大二合一锁芯 3-in-1 large lock	(C)*29 木榫Ø8*30mm Wood tenon	(D)*6 三节滚珠导轨10" Three-section rail
(E)*4 过山丝-M7*38mm Confinmat screw	(F)*4 透气孔盖-白色 Breathable cover	(G)*1 L=1161 夹板条 Splint strip	(H)*84 自攻螺丝M3.5*11mm Tapping screw
(I)*8 背板扣 White buckle	(J)*24 斜边十字螺钉M6*21mm Hovel cross screw	(K)*10 灰色毛毡垫 Ø16*3 Foot pad	(L)*1 家具防倒器-白色 Anti-fall device

编号NO.	名称Name	规格 (mm) Specification	数量QTY	材质Material
①	面板Top panel	1193*352*18	1	刨花板 Particle board
②	左侧板Side board(L)	677*352*15	1	刨花板 Particle board
③	右侧板Side board(R)	677*352*15	1	刨花板 Particle board
④	中侧板Middle side board	677*323*15	1	刨花板 Particle board
⑤	前拉条Front brace	1163*58*15	2	刨花板 Particle board
⑥	前立水Front apron	1163*58*15	1	刨花板 Particle board
⑦	后立水Back dress	1163*58*15	1	刨花板 Particle board
⑧	背板Back board	1173*313*5	2	纤维板 Fiberboard
⑨	上侧板Upper side plate	354*190*18	4	刨花板 Particle board
⑩	下侧板Lower side board	354*254*18	2	刨花板 Particle board
⑪	木条1 Wood1	190*18*18	8	橡胶木 Rubber wood
⑫	木条2 Wood2	254*18*18	4	橡胶木 Rubber wood
⑬	后拉条Back brace	1193*58*18	1	刨花板 Particle board
⑭	左上抽屉面板Upper drawer's panel(L)	593*190*18	2	刨花板 Particle board
⑮	右上抽屉面板Upper drawer's panel(R)	593*190*18	2	刨花板 Particle board
⑯	左下抽屉面板Bottom drawer's panel(L)	593*254*18	1	刨花板 Particle board
⑰	右下抽屉面板Bottom drawer's panel(R)	593*254*18	1	刨花板 Particle board
⑱	上抽屉侧板Upper drawer's sideboard	295*110*15	8	刨花板 Particle board
⑲	上抽屉后板Upper drawer's back board	548*110*15	4	刨花板 Particle board
⑳	下抽屉侧板Lower drawer's sideboard	295*174*15	4	刨花板 Particle board
㉑	下抽屉后板Down drawer's back board	548*174*15	2	刨花板 Particle board
㉒	抽屉底板Drawer's Bottom board	528*305*5	6	纤维板 Fiberboard

UB1E-A(六斗柜)

产品分解图/Exploded drawing

部件表/Parts List



编号NO.	名称Name
①	面板Top panel
②	左侧板Side board(L)
③	右侧板Side board(R)
④	中侧板Middle side board
⑤	前拉条Front brace
⑥	前立水Front apron
⑦	后立水Back dress
⑧	背板Back board
⑨	上侧板Upper side plate
⑩	下侧板Lower side board
⑪	木条1 Wood1
⑫	木条2 Wood2
⑬	后拉条Back brace
⑭	左上抽屉面板Upper drawer's panel(L)
⑮	右上抽屉面板Upper drawer's panel(R)
⑯	左下抽屉面板Lower drawer's panel(L)
⑰	右下抽屉面板Lower drawer's panel(R)
⑱	上抽屉侧板Upper drawer's sideboard
⑲	上抽屉后板Upper drawer's back board
⑳	下抽屉侧板Lower drawer's sideboard
㉑	下抽屉后板Lower drawer's back board
㉒	抽屉底板Drawer's Bottom board

UB1E-A (六斗柜)

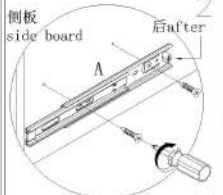
安装方法/

Installation method

阀门开关 (下压为开)
Valve switch
(press down to open)

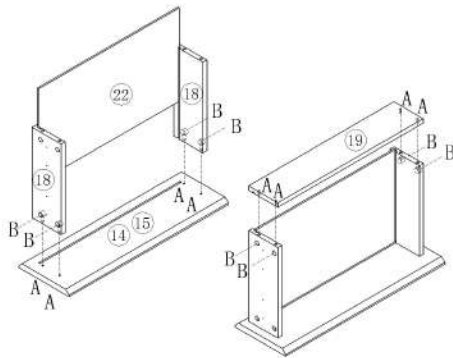


注: 先将A与B拆下来
Note: remove a and B first



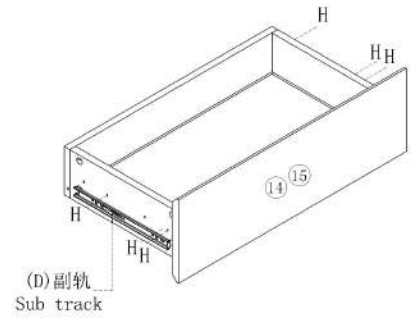
注: 将B对准A后推进去
Note: align B with a
and push it in
三节滚珠导轨
three-section ball rail

- (A)*32
- (B)*32



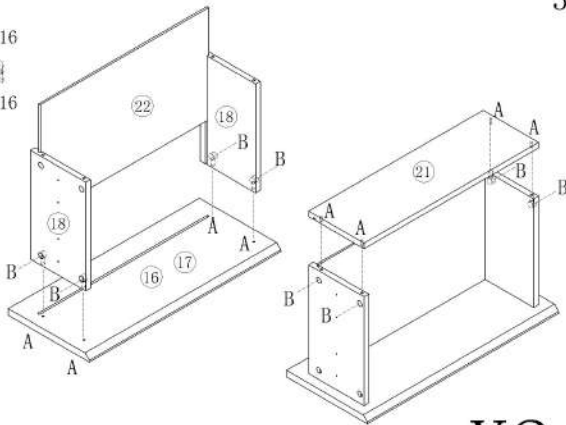
X4

- (D)*4
- (H)*24



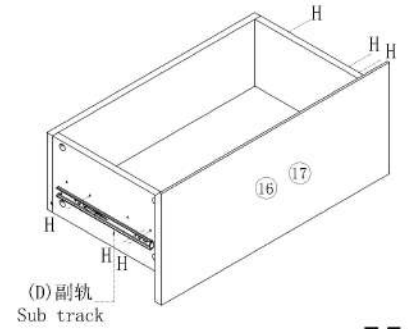
X4

- (A)*16
- (B)*16



X2

- (D)*2
- (H)*12

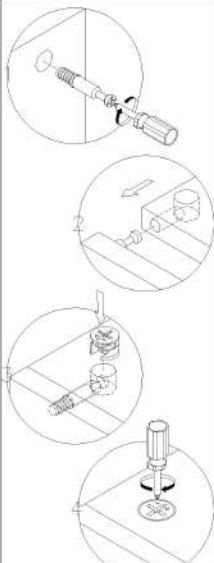


X2

UB1E-A (六斗柜)

安装方法/

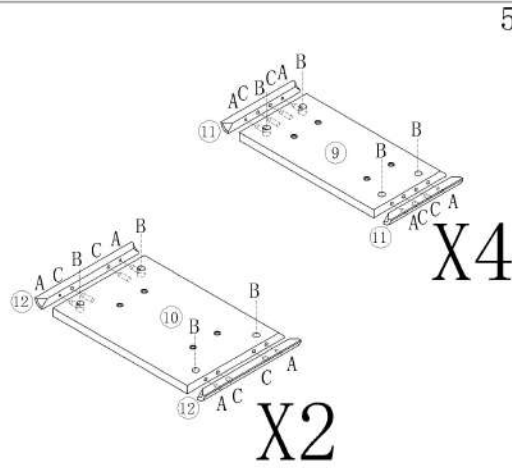
Installation method



大二合一
two-in-one

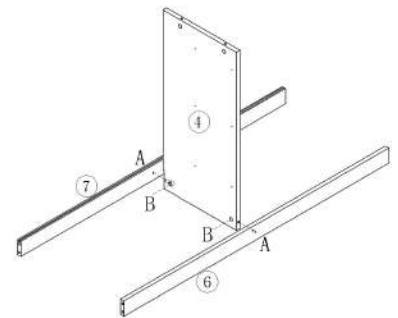
- (A)*24
- (B)*24
- (C)*24

- (A)*8
- (B)*8
- (F)*4
- (G)*1

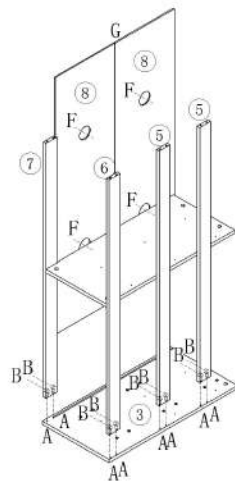


5

- (A)*2
- (B)*2

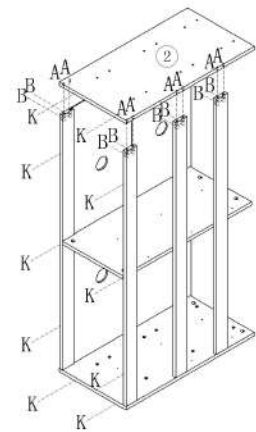


6



7

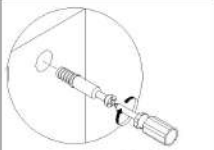
- (A)*8
- (B)*8
- (K)*10



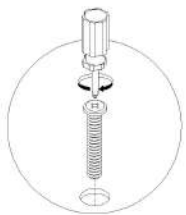
8

UB1E-A (六斗柜)

安装方法/
Installation method

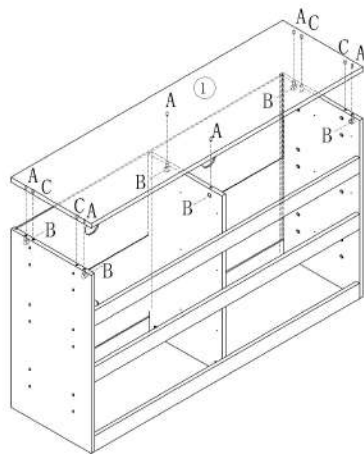


大二合一
two-in-one

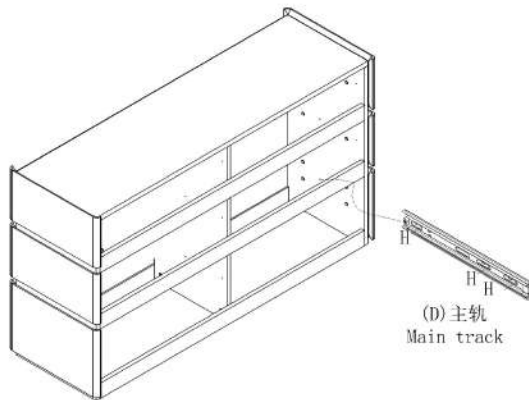


斜边十字螺杆
bevel cross screw

- (A)*6
- (B)*6
- (C)*4



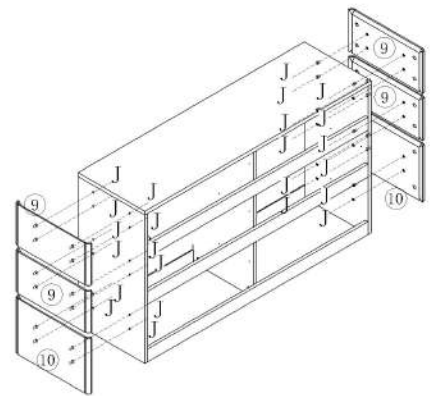
- (D)*6
- (H)*36



(D)主轨
Main track

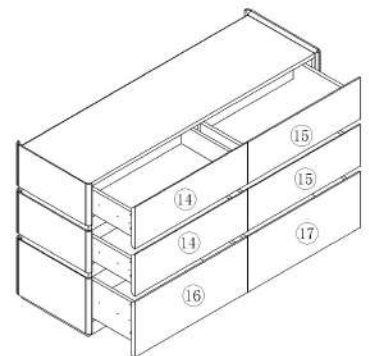
9

- (J)*24



10

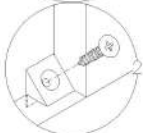
11



12

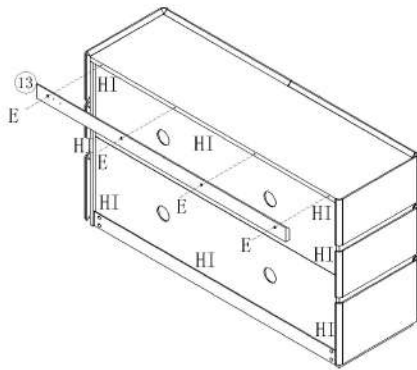
UB1E-A (六斗柜)

安装方法/
Installation method

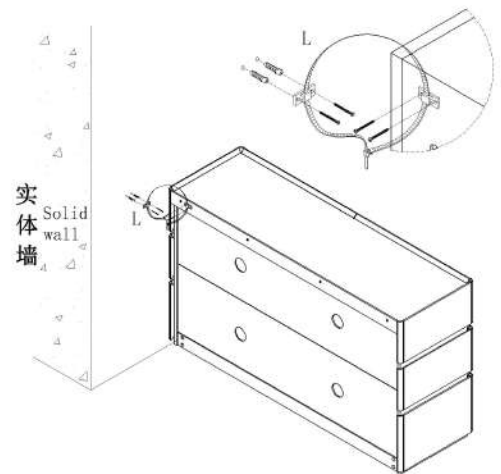


背板扣
Back Plate Buckle

- (H)*8
- (I)*8
- (E)*4

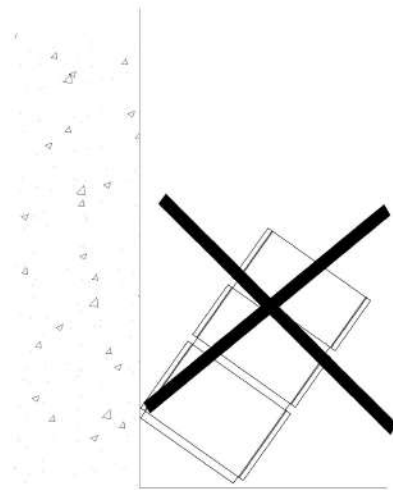


13
 (L)*1



14

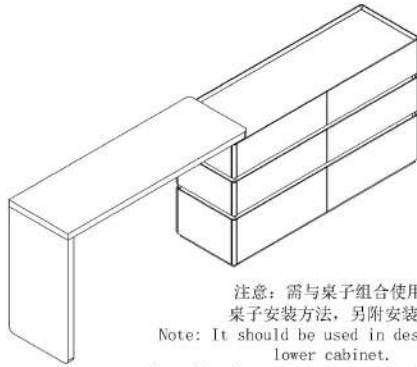
15



UB1E-A (六斗柜)

安装方法/
Installation method

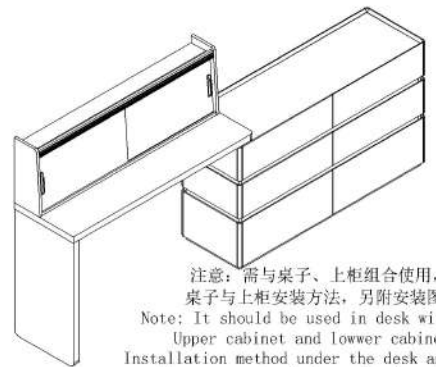
产品名称: UB2C-A六斗柜妆台(不带上架)
产品规格: 1716*2269*490*752mm



注意: 需与桌子组合使用,
桌子安装方法, 另附安装图
Note: It should be used in desk with the
lower cabinet.
Installation method under the desk, attach
the installation diagram

16

产品名称: UB2C-A六斗柜妆台(带上架)
产品规格: 1716*2269*490*1122mm



注意: 需与桌子、上柜组合使用,
桌子与上柜安装方法, 另附安装图
Note: It should be used in desk with the
Upper cabinet and lower cabinet.
Installation method under the desk and Upper
cabinet, attach the installation diagram

17

LINSY 林氏家居

五金表/Hardware list

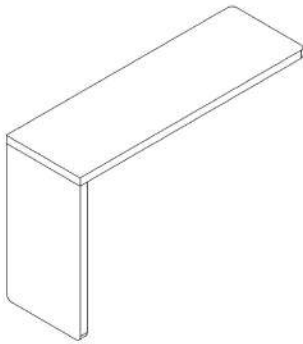
部件表/Parts List

安装示意图/Assembly Instruction

产品名称 Model NO.	UB2C-A(妆台主体)
产品规格 Specification	1190*390*752mm
安装工具 Tool	安装人数 Installer



注：为保证设计效果，部分尺寸为定制尺寸，不影响使用。



(A)* 2 木榫Ø10x10mm wood tenon	(B)* 2 双头螺杆-M8x725mm Double headed screw	(C)* 2 长胶垫L=300mm Long rubber pad - Black	(D)* 2 垫片M8 Gasket-color zinc
(E)* 1 套筒扳手 Socket wrench	(F)* 2 外六角螺母M8 Hexagon Nut-color zinc	(G)* 2 灰色毛毡垫 Ø16*3 Foot pad	(H)* 2 斜边十字螺钉M8*25mm Bevel cross screw

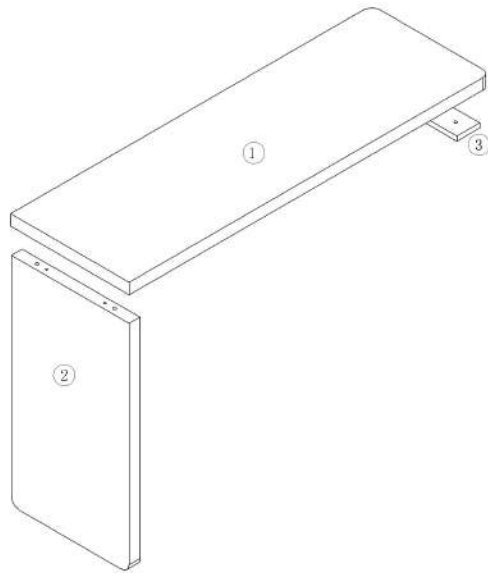
编号NO.	名称Name	规格 (mm) Specification	数量QTY	材质Material
①	面板Top panel	1190*390*36	1	纤维板+刨花板 Fiberboard+Particle board
②	侧板Side board	713*388*36	1	纤维板+刨花板 Fiberboard+Particle board
③	垫条1 Brace 1	340*75*15	1	刨花板 Particle board

UB2C-A(妆台主体)

产品分解图/Exploded drawing

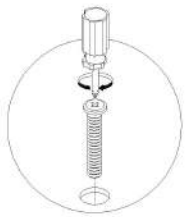
部件表/Parts List

编号NO.	名称Name
①	面板Top panel
②	侧板Side board
③	垫条1 Brace 1



UB2C-A(妆台主体)

安装方法/
Installation method



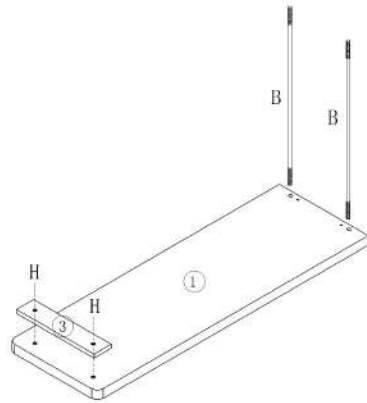
斜边十字螺杆
level cross screw



(B)*2



(H)*2



1

(A)*2

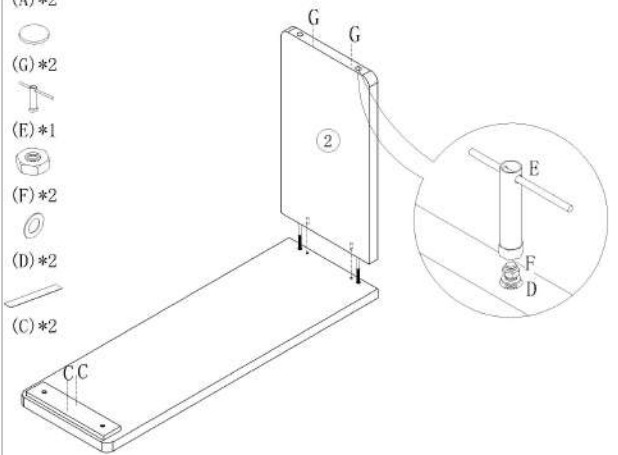
(G)*2

(E)*1

(F)*2

(D)*2

(C)*2



2

3

4