



LINSY 林氏家居

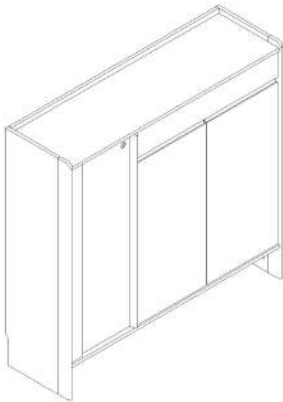
五金表/Hardware list

部件表/Parts List

安装示意图/Assembly Instruction

产品名称 Model NO.	UBIN-A(1m)
产品规格 Specification	1000*363*1153mm
安装工具 Tool	安装人数 Installer
	

注：为保证设计效果，部分尺寸为定制尺寸，不影响使用。



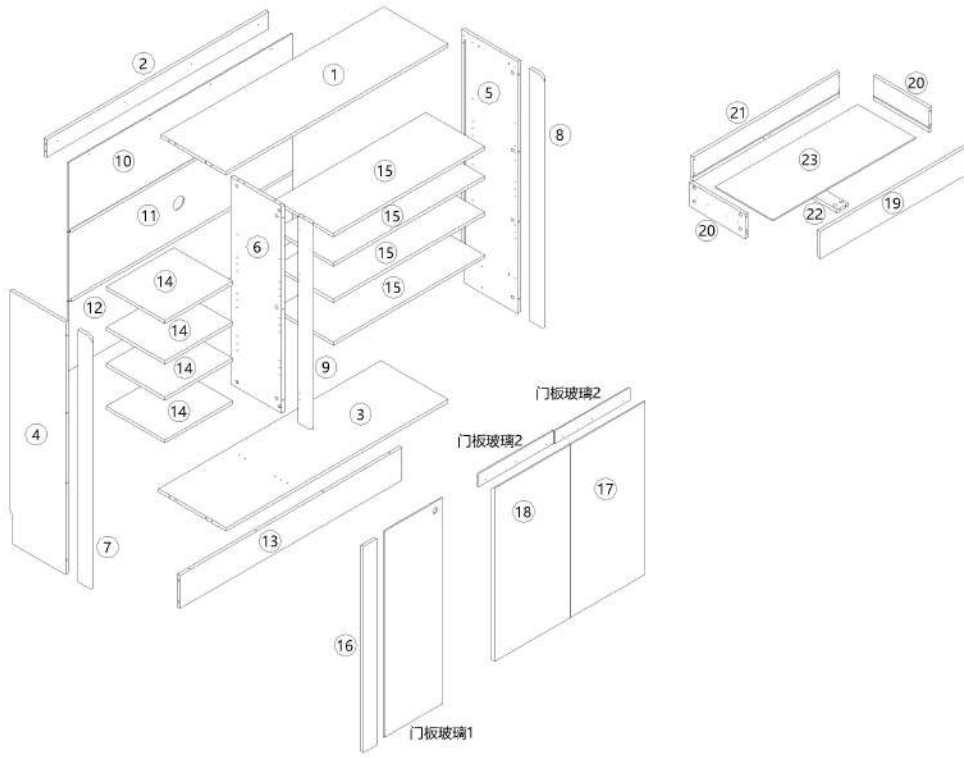
(A)* 54 二合一螺杆 2-in-1-screw	(B)* 54 大三合一锁饼 Three-in-one large lock	(C)* 23 木棒08x30mm wood tenon	(D)* 44 自攻螺丝M3.5x14mm Self-tapping screw
(E)* 17 背板扣 Back Plate Buckle-White	(F)* 1 透气孔盖-白色 Vent cover - white	(G)* 32 层板托 shelf support	(H)* 2 夹板条L=968mm Splitter strip - Brown
(I)* 1 三节滚珠导轨-10" three-section ball rail	(J)* 1 家具防倒器-白色 Anti-fall device - white	(K)* 7 缓冲门较大弯-杯径35 Hinge-big bend-diameter 35	(L)* 8 灰色毛毡脚垫 Grey felt foot pad
(M)* 10 镜钉 Mirror nail	(N)* 11 透明塑料垫片 Transparent plastic gasket	(O)* 8 透明防撞垫片010x1.5 Transparent anti-collision gasket	(P)* 1 银色亮铝合金拉手 Silver gloss alumina alloy handle
(Q)* 1 门板玻璃1 Door panel glass 1	(R)* 2 门板玻璃2 Door panel glass 2		

编号NO.	名称Name	规格(mm) Specification	数量QTY	材质Material
①	面板Top panel	970*340*15	1	刨花板 Particle Board
②	后拉条Back brace	970*80*15	1	刨花板 Particle Board
③	底板Bottom board	970*355*15	1	刨花板 Particle Board
④	左侧板Side board(L)	1150*293*15	1	刨花板 Particle Board
⑤	右侧板Side board(R)	1150*293*15	1	刨花板 Particle Board
⑥	中侧板Middle side board	945*270.5*15	1	刨花板 Particle Board
⑦	左侧柱L side pillar	1150*70*15	1	橡胶木 Rubber wood
⑧	右侧柱Side column(R)	1150*70*15	1	橡胶木 Rubber wood
⑨	中侧柱Middle side pillar	945*70*15	1	橡胶木 Rubber wood
⑩	上背板Upper back board	980*315*5	1	纤维板 Fiberboard
⑪	中背板Middle back board	980*315*5	1	纤维板 Fiberboard
⑫	下背板Lower back board	980*315*5	1	纤维板 Fiberboard
⑬	下档条Next level bar	970*150*15	1	刨花板 Particle Board
⑭	左活动层板Movable shelf(L)	252*309*15	4	刨花板 Particle Board
⑮	右活动层板Movable shelf(R)	701*315*15	4	刨花板 Particle Board
⑯	门板装饰条1Door panel decorative strip 1	941*70*15	1	刨花板 Particle Board
⑰	右门板Door board(R)	790*348*15	1	刨花板 Particle Board
⑱	中门板Middle door board	790*348*15	1	刨花板 Particle Board
⑲	抽屉面板Drawer's top panel	698*126*15	1	刨花板 Particle Board
⑳	抽屉侧板Drawer's sideboard	295*110*15	2	刨花板 Particle Board
㉑	抽屉后板Drawer's Back board	676*110*15	1	刨花板 Particle Board
㉒	抽屉底托条Drawer's bottom bracket	295*58*15	1	刨花板 Particle Board
㉓	抽屉底板Drawer's Bottom board	656*305*5	1	纤维板 Fiberboard

UB1N-A(1m)

产品分解图/Exploded drawing

部件表/Parts List

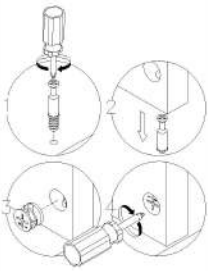


编号NO.	名称Name
①	面板Top panel
②	后拉条Back brace
③	底板Bottom board
④	左侧板Side board(L)
⑤	右侧板Side board(R)
⑥	中侧板Middle side board
⑦	左侧柱L side pillar
⑧	右侧柱Side column(R)
⑨	中侧柱Middle side pillar
⑩	上背板Upper back board
⑪	中背板Middle back board
⑫	下背板Lower back board
⑬	下档条Next level bar
⑭	左活动层板Movable shelf(L)
⑮	右活动层板Movable shelf(R)
⑯	门板装饰条1Door panel decorative strip 1
⑰	右门板Door board(R)
⑱	中门板Middle door board
⑲	抽屉面板Drawer's top panel
⑳	抽屉侧板Drawer's sideboard
㉑	抽屉后板Drawer's Back board
㉒	抽屉底托条Drawer's bottom bracket
㉓	抽屉底板Drawer's Bottom board

UB1N-A (1m)

安装方法/

Installation method



二合一 two-in-one

阀门开关(下压为开)
Valve switch (press down to open)

前 Forward 后 Back

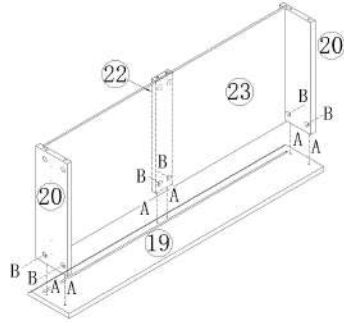


主轨 Main track

副轨 Sub track

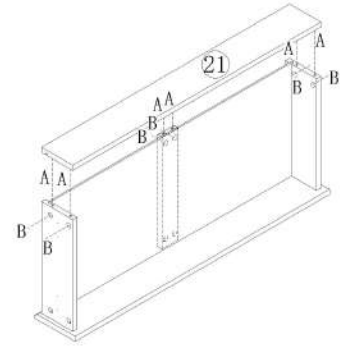
三节滚珠导轨
Three-section rail

(A)*6
(B)*6



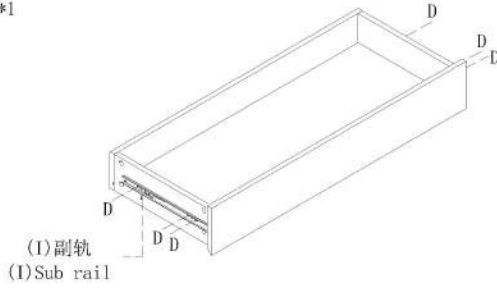
1

(A)*6
(B)*6



2

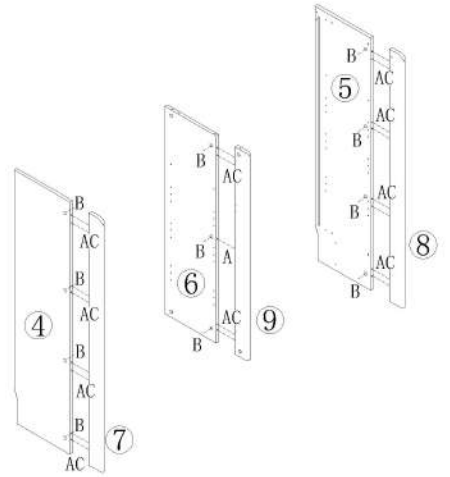
(D)*6
(I)*1



(I)副轨
(I) Sub rail

3

(A)*11
(B)*11
(C)*10



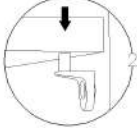
4

UB1N-A (1m)

安装方法/
Installation method

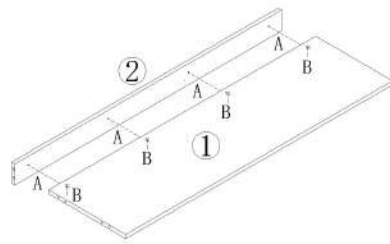


假板
Side plate



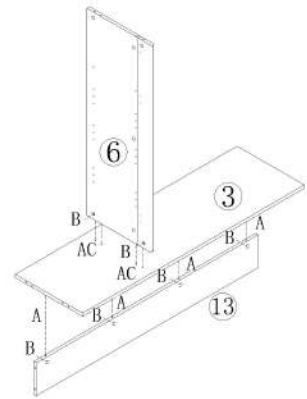
层板托5mm
shelf support

- (A)*4
- (B)*4



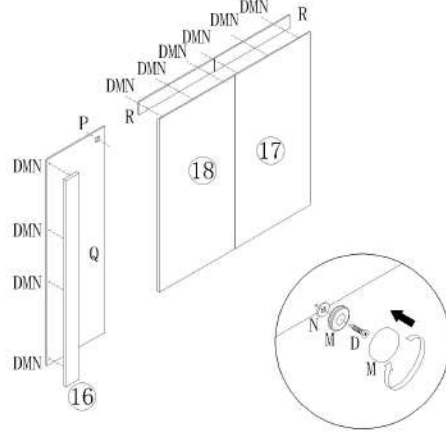
5

- (A)*6
- (B)*6
- (C)*2



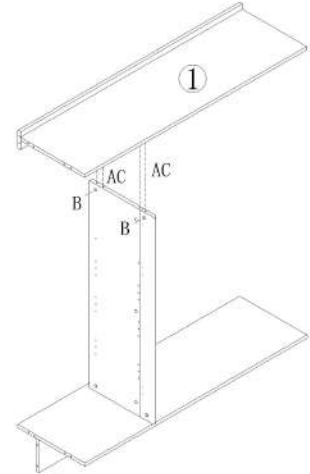
6

- (D)*10
- (M)*10
- (N)*10
- (P)*1
- (Q)*1
- (R)*2



7

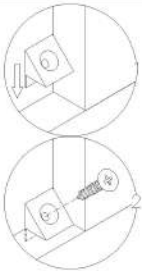
- (A)*2
- (B)*2
- (C)*2



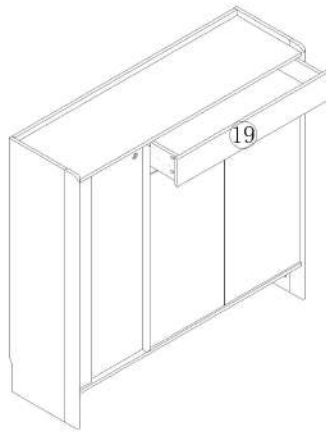
8

UB1N-A(1m)

安装方法/
Installation method



背板扣
Back Plate Buckle

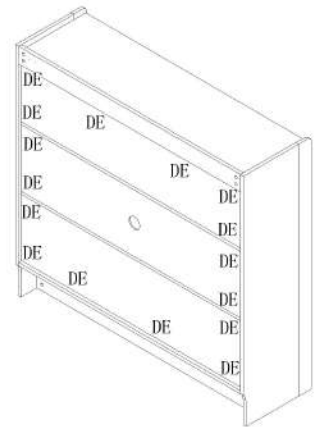


注：抽屉面板与柜体的间隙为设计开启抽屉使用，小心夹伤！
Note: the gap between the drawer panel and the cabinet is designed to open the drawer. Be careful not to pinch!

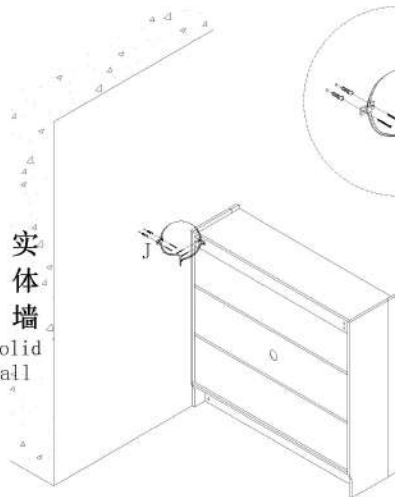
13

(D)*16
(E)*16

14



实体墙
Solid wall



15

16

