



LINSY 林氏家居

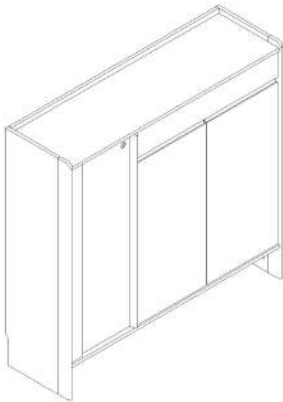
五金表/Hardware list




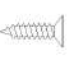













部件表/Parts List

安装示意图/Assembly Instruction

产品名称 Model NO.	UB1N-A(1.2m)
产品规格 Specification	1200*363*1153mm
安装工具 Tool	安装人数 Installer
	

注：为保证设计效果，部分尺寸为定制尺寸，不影响使用。



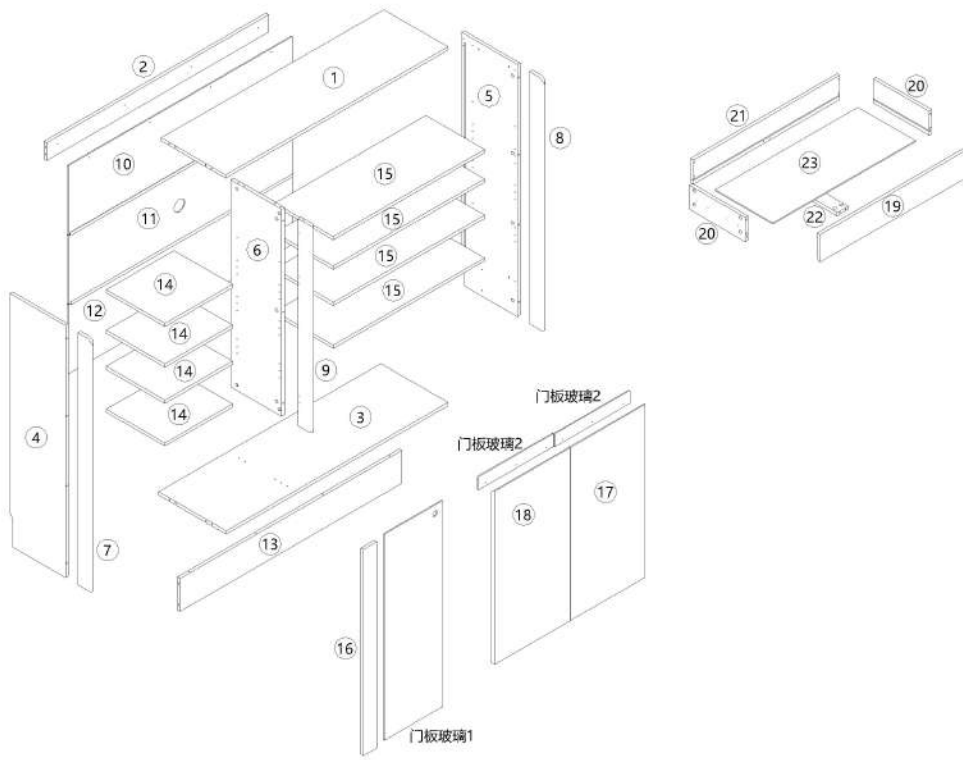
 (A)* 54 三合一螺杆 2-in-1-screw	 (B)* 54 大三合一锁饼 Three-in-one large lock	 (C)* 23 木榫08x30mm wood tenon	 (D)* 44 自攻螺丝M3.5x14mm Self-tapping screw
 (E)* 17 背板扣 Back Plate Buckle-White	 (F)* 1 透气孔盖-白色 Vent cover - white	 (G)* 32 层板托 shelf support	 (H)* 2 夹板条L=1168mm Sullic strip - Brown
 (I)* 1 三节滚珠导轨-10" three-section ball rail	 (J)* 1 家具防倒器-白色 Anti-fall device - white	 (K)* 7 缓冲门较大弯-杯径35 Hinge-big bend-diameter 35	 (L)* 8 灰色毛毡脚垫 Grey felt foot pad
 (M)* 10 镜钉 Mirror nail	 (N)* 11 透明塑料垫片 Transparent plastic gasket	 (O)* 8 透明防撞垫片010x1.5 Transparent anti collision gasket	 (P)* 1 银色亮铝合金拉手 Silver gloss alumina alloy handle
 (Q)* 1 门板玻璃1 Door panel glass 1	 (R)* 2 门板玻璃2 Door panel glass 2		

编号NO.	名称Name	规格(mm) Specification	数量QTY	材质Material
①	面板Top panel	1170*340*15	1	刨花板 Particle Board
②	后拉条Back brace	1170*80*15	1	刨花板 Particle Board
③	底板Bottom board	1170*355*15	1	刨花板 Particle Board
④	左侧板Side board(L)	1150*293*15	1	刨花板 Particle Board
⑤	右侧板Side board(R)	1150*293*15	1	刨花板 Particle Board
⑥	中侧板Middle side board	945*270.5*15	1	刨花板 Particle Board
⑦	左侧柱L side pillar	1150*70*15	1	橡胶木 Rubber wood
⑧	右侧柱Side column(R)	1150*70*15	1	橡胶木 Rubber wood
⑨	中侧柱Middle side pillar	945*70*15	1	橡胶木 Rubber wood
⑩	上背板Upper back board	1180*315*5	1	纤维板 Fiberboard
⑪	中背板Middle back board	1180*315*5	1	纤维板 Fiberboard
⑫	下背板Lower back board	1180*315*5	1	纤维板 Fiberboard
⑬	下档条Next level bar	1170*150*15	1	刨花板 Particle Board
⑭	左活动层板Movable shelf(L)	356*309*15	4	刨花板 Particle Board
⑮	右活动层板Movable shelf(R)	797*315*15	4	刨花板 Particle Board
⑯	门板装饰条1Door panel decorative strip 1	941*70*15	1	刨花板 Particle Board
⑰	右门板Door board(R)	790*396*15	1	刨花板 Particle Board
⑱	中门板Middle door board	790*396*15	1	刨花板 Particle Board
⑲	抽屉面板Drawer's top panel	794*126*15	1	刨花板 Particle Board
⑳	抽屉侧板Drawer's sideboard	295*110*15	2	刨花板 Particle Board
㉑	抽屉后板Drawer's Back board	772*110*15	1	刨花板 Particle Board
㉒	抽屉底托条Drawer's bottom bracket	295*58*15	1	刨花板 Particle Board
㉓	抽屉底板Drawer's Bottom board	752*305*5	1	纤维板 Fiberboard

UBIN-A(1.2m)

产品分解图/Exploded drawing

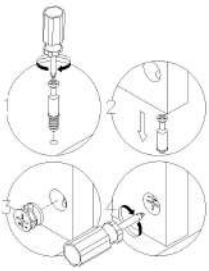
部件表/Parts List



编号NO.	名称Name
①	面板Top panel
②	后拉条Back brace
③	底板Bottom board
④	左侧板Side board(L)
⑤	右侧板Side board(R)
⑥	中侧板Middle side board
⑦	左侧柱L side pillar
⑧	右侧柱Side column(R)
⑨	中侧柱Middle side pillar
⑩	上背板Upper back board
⑪	中背板Middle back board
⑫	下背板Lower back board
⑬	下档条Next level bar
⑭	左活动层板Movable shelf(L)
⑮	右活动层板Movable shelf(R)
⑯	门板装饰条1Door panel decorative strip 1
⑰	右门板Door board(R)
⑱	中门板Middle door board
⑲	抽屉面板Drawer's top panel
⑳	抽屉侧板Drawer's sideboard
㉑	抽屉后板Drawer's Back board
㉒	抽屉底托条Drawer's bottom bracket
㉓	抽屉底板Drawer's Bottom board

UBIN-A(1.2m)

安装方法/
Installation method



二合一 two-in-one

阀门开关(下压为开)
Valve switch (press down to open)

前 Forward 后 Back

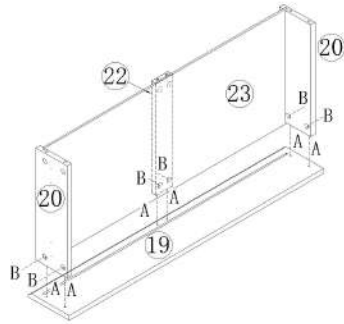


主轨 Main track

副轨 Sub track

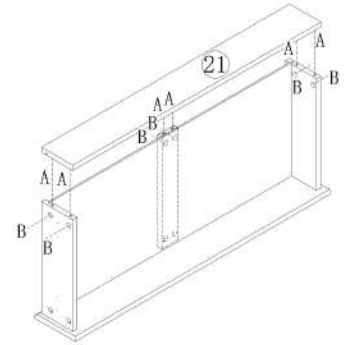
三节滚珠导轨
Three-section rail

(A)*6
(B)*6



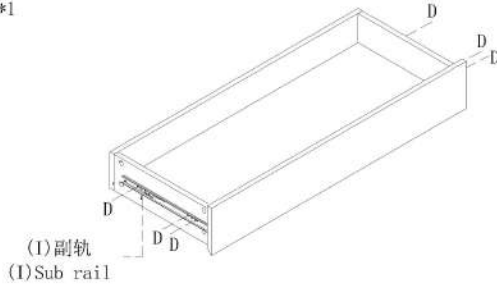
1

(A)*6
(B)*6



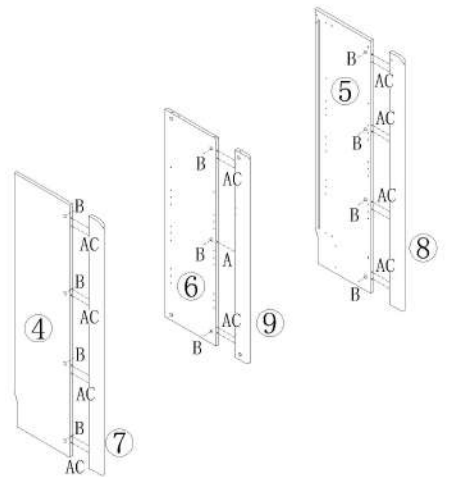
2

(D)*6
(I)*1



3

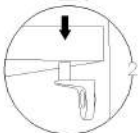
(A)*11
(B)*11
(C)*10



4

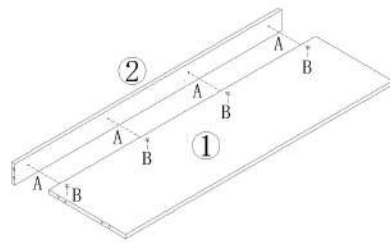
UBIN-A (1.2m)

安装方法/
Installation method



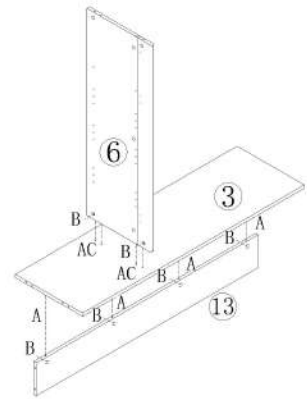
层板托5mm
shelf support

- (A)*4
- (B)*4



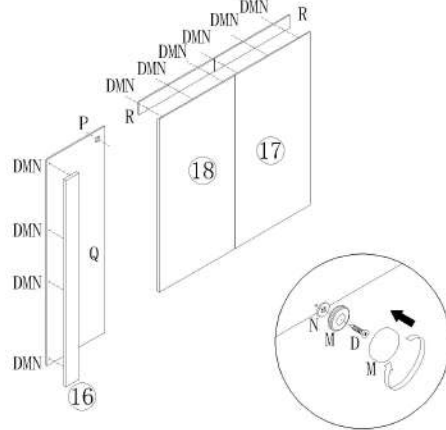
5

- (A)*6
- (B)*6
- (C)*2



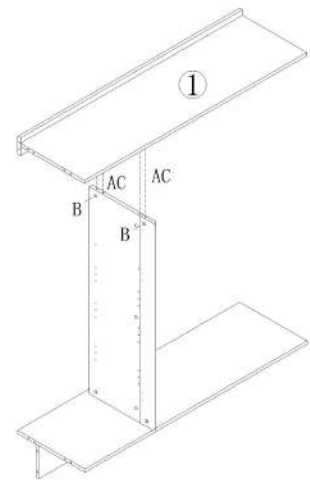
6

- (D)*10
- (M)*10
- (N)*10
- (P)*1
- (Q)*1
- (R)*2



7

- (A)*2
- (B)*2
- (C)*2



8

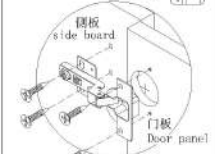
UBIN-A (1.2m)

安装方法/
Installation method

大弯big bend

中弯middle bending

直弯straight bending



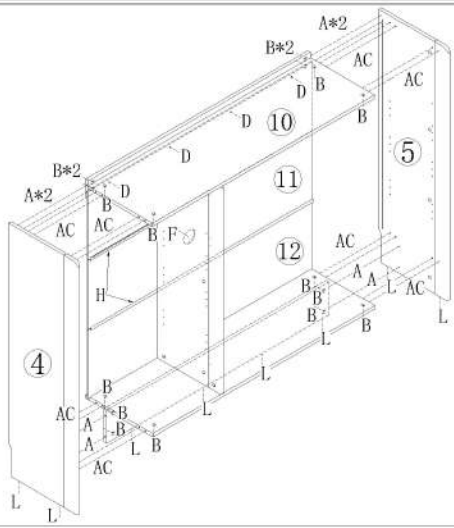
调节上下
Adjust up and down

调节左右
Adjust left and right

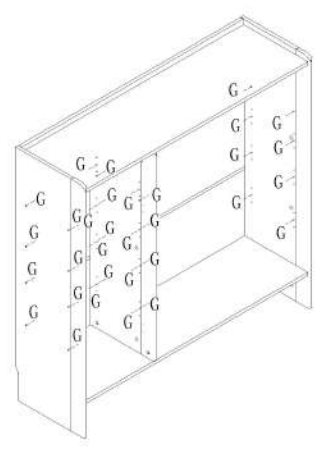
调节前后
Before and after adjustment

门铰Hinge

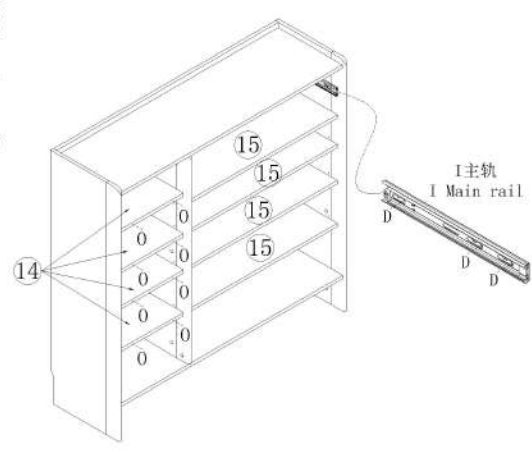
- (A)*16
- (B)*16
- (C)*8
- (D)*4
- (F)*1
- (H)*2
- (L)*8
- (D)*6
- (I)*1
- (O)*8



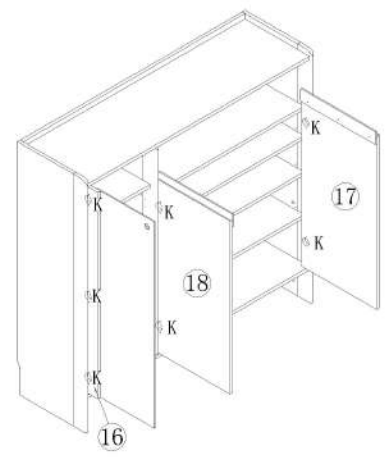
9
(G)*32



10



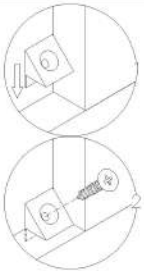
11
(K)*7



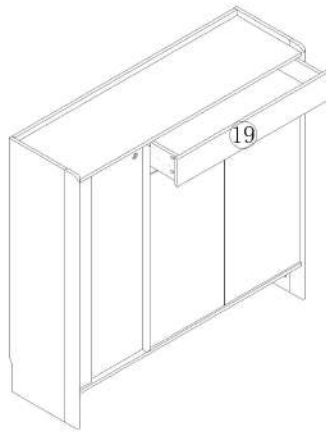
12

UBIN-A (1.2m)

安装方法/
Installation method



背板扣
Back Plate Buckle

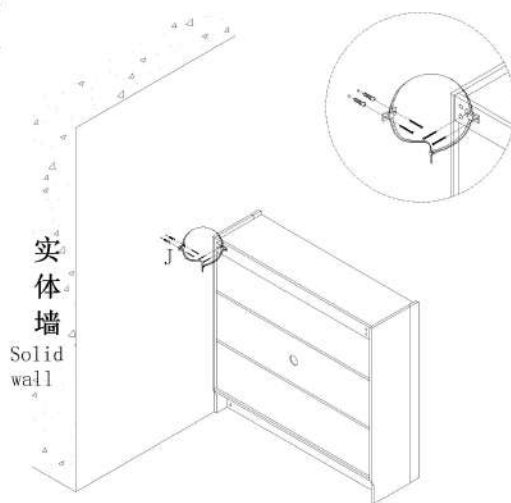
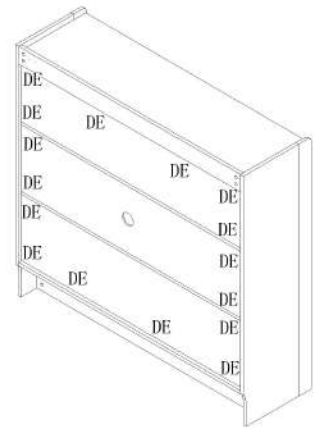


注：抽屉面板与柜体的间隙为设计开启抽屉使用，小心夹伤！
Note: the gap between the drawer panel and the cabinet is designed to open the drawer. Be careful not to pinch!

13

(D)*16
(E)*16

14



15

实体墙
Solid wall

16

