



# LINSY 林氏家居

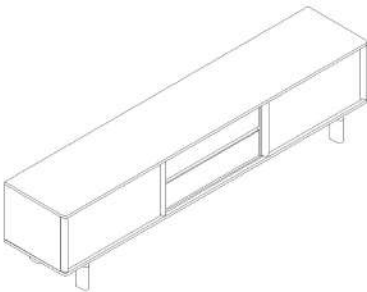
## 五金表/Hardware list

## 部件表/Parts List

### 安装示意图/Assembly Instruction

产品名称 Model NO.	UB1M-A 2m高脚电视柜
产品规格 Specification	2000*398*507mm
安装工具 Tool	安装人数 Installer
	

注：为保证设计效果，部分尺寸为定制尺寸，不影响使用。



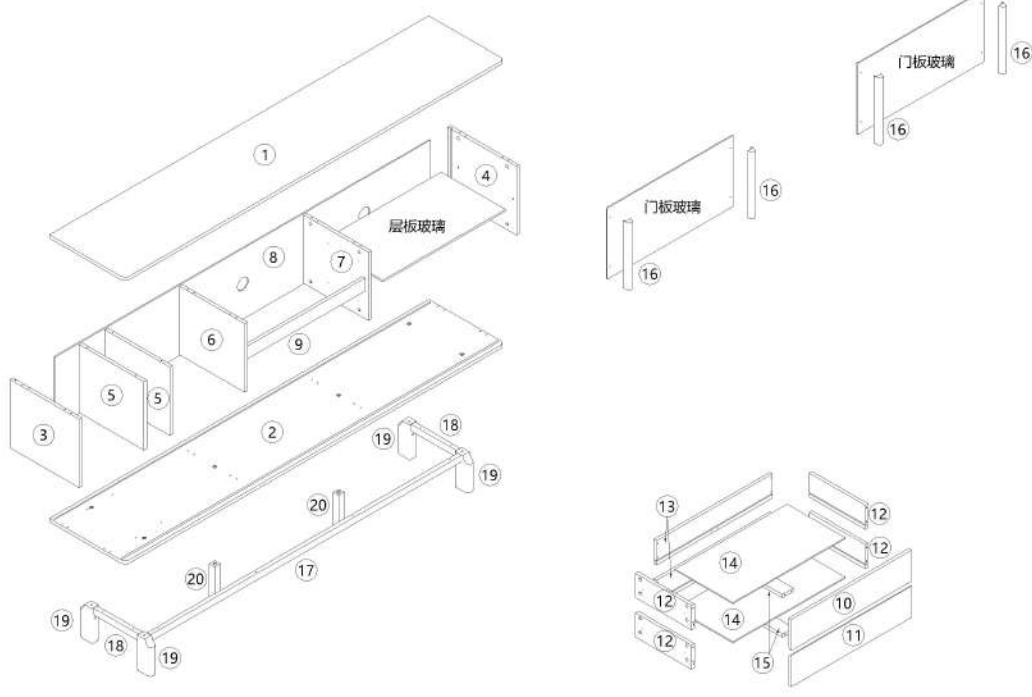
(A)* 55 二合一螺杆 2-in-1-screw	(B)* 55 大三合一锁饼 Three-in-one large lock	(C)* 17 木棒08x30mm wood trimon	(D)* 4 玻璃层板托杆/叉 Glass layer plate support rod/bits
(E)* 34 自攻螺丝M3.5x14mm Self-tapping screw	(F)* 8 镜钉 Mirror nail	(G)* 8 自攻大扁M4*10mm Self tapping flat screws	(H)* 3 穿线孔盖 Plastic cover
(I)* 8 背板扣 Back Plate Backto-White	(J)* 8 透明塑料垫片 Transparent plastic gasket	(K)* 4 透明防滑PVC胶塞 Rubber stopper	(L)* 2 调节五金脚-M8*30 Adjust hardware foot
(M)* 4 螺母-M8x15mm Nutmcr nut	(N)* 4 斜边十字螺杆-M8x70 bevel cross screw	(O)* 2 透明防撞垫片010x1.5 transparent anti collision gasket	(P)* 2 斜边十字螺杆-M8x30 bevel cross screw
(Q)* 2 门板玻璃 Door panel glass	(R)* 2 三节滚珠导轨-10" three-section ball rail	(S)* 1 层板玻璃 Laminated glass	(T)* 8 自攻螺丝M4x16mm Self-tapping screw

编号NO.	名称Name	规格(mm) Specification	数量QTY	材质Material
①	面板Top panel	2000*398*15	1	刨花板 Particle Board
②	底板Bottom board	2000*398*15	1	刨花板 Particle Board
③	左侧板Side board(L)	312*363*15	1	刨花板 Particle Board
④	右侧板Side board(R)	312*363*15	1	刨花板 Particle Board
⑤	左中侧板Middle side board(L)	312*342*15	2	刨花板 Particle Board
⑥	中中侧板Middle side board	312*342*15	1	刨花板 Particle Board
⑦	右中侧板Middle side board(R)	312*342*15	1	刨花板 Particle Board
⑧	背板Back board	1978*322*5	1	纤维板 Fiberboard
⑨	前拉条Front brace	638*58*15	1	刨花板 Particle Board
⑩	上抽屉面板Upper drawer's panel	634*142*15	1	刨花板 Particle Board
⑪	下抽屉面板Bottom drawer's panel	634*142*15	1	刨花板 Particle Board
⑫	抽屉侧板Drawer's sideboard	295*110*15	4	刨花板 Particle Board
⑬	抽屉后板Drawer's Back board	612*110*15	2	刨花板 Particle Board
⑭	抽屉底板Drawer's Bottom board	592*305*5	2	纤维板 Fiberboard
⑮	抽屉底托条Drawer's bottom bracket	295*58*15	2	刨花板 Particle Board
⑯	门板拉手Door handle	306*30*30	4	橡胶木 Rubber wood
⑰	前立水Front apron	1640*40*20	1	橡胶木 Rubber wood
⑱	侧立水Side apron	238*40*20	2	橡胶木 Rubber wood
⑲	脚Foot	160*70*35	4	橡胶木 Rubber wood
⑳	中脚Middle foot	150*30*30	2	橡胶木 Rubber wood

UB1M-A 2m高脚电视柜

产品分解图/Exploded drawing

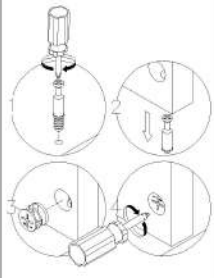
部件表/Parts List



编号NO.	名称Name
①	面板Top panel
②	底板Bottom board
③	左侧板Side board(L)
④	右侧板Side board(R)
⑤	左中侧板Middle side board(L)
⑥	中中侧板Middle side board
⑦	右中侧板Middle side board(R)
⑧	背板Back board
⑨	前拉条Front brace
⑩	上抽屉面板Upper drawer's panel
⑪	下抽屉面板Bottom drawer's panel
⑫	抽屉侧板Drawer's sideboard
⑬	抽屉后板Drawer's Back board
⑭	抽屉底板Drawer's Bottom board
⑮	抽屉底托Drawer's bottom bracket
⑯	门板拉手Door handle
⑰	前立水Front apron
⑱	侧立水Side apron
⑲	脚Foot
⑳	中脚Middle foot

UB1M-A 2m高脚电视柜

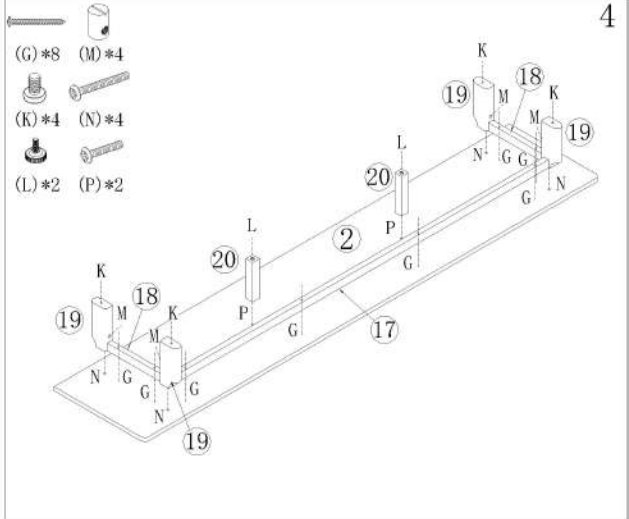
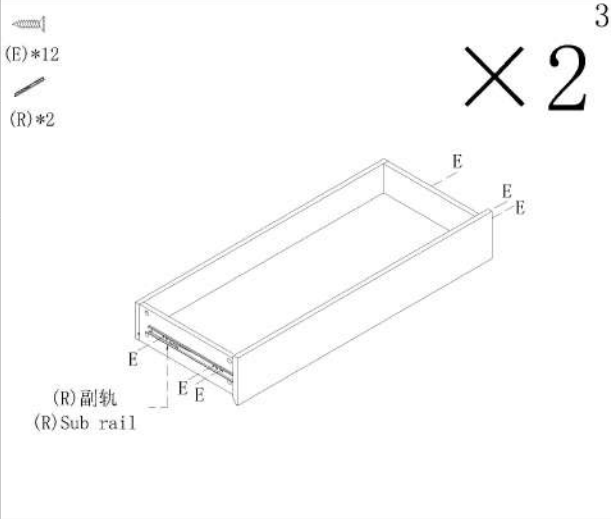
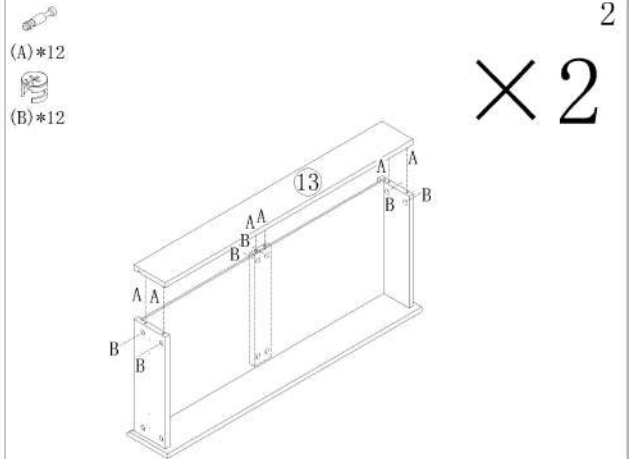
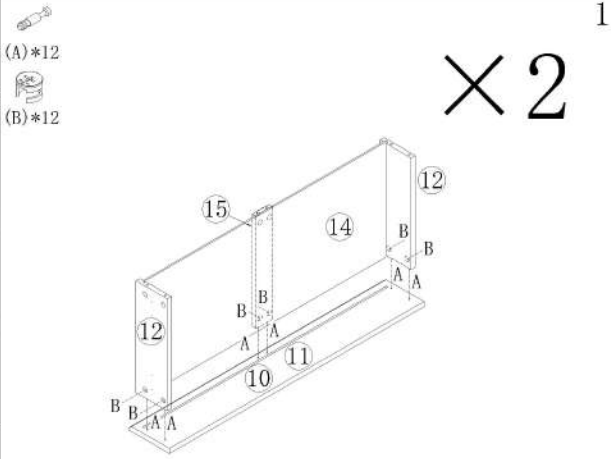
安装方法/  
Installation method



二合一 two-in-one

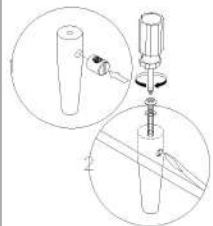
阀门开关(下压为开)  
Valve switch (press down to open)

前 Forward      后 Back

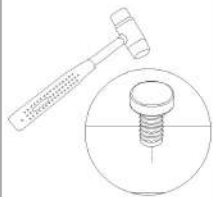


UB1M-A 2m高脚电视柜

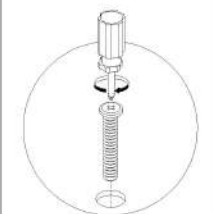
安装方法/  
Installation method



锤母  
Hammer nut

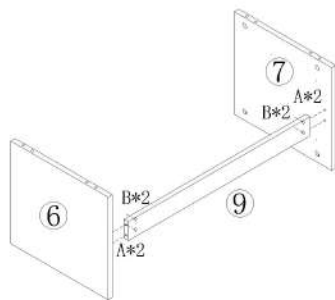


防滑PVC胶塞  
Rubber stopper



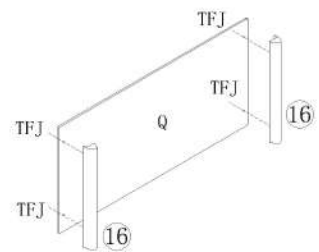
斜边十字螺杆  
bevel cross screw

- (A)\*4
- (B)\*4



5

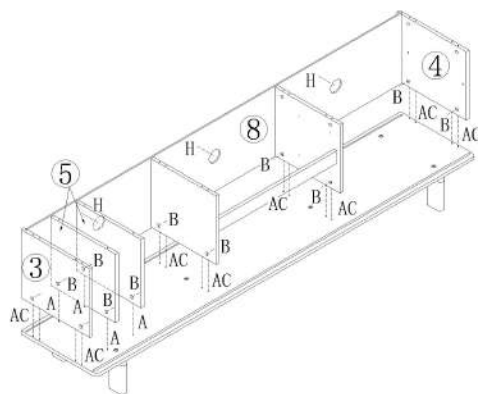
- (F)\*8
- (J)\*8
- (Q)\*2
- (T)\*8



× 2

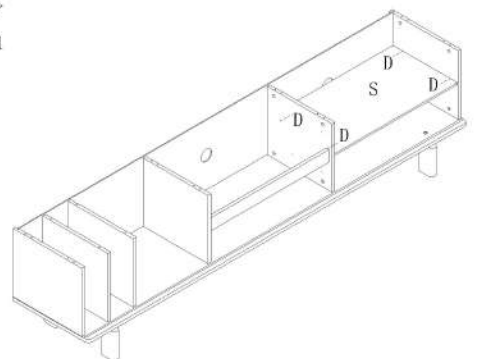
6

- (A)\*12
- (B)\*12
- (C)\*8
- (H)\*3



7

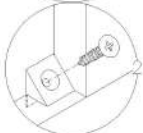
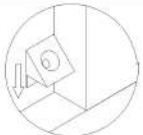
- (D)\*4
- (S)\*1



8

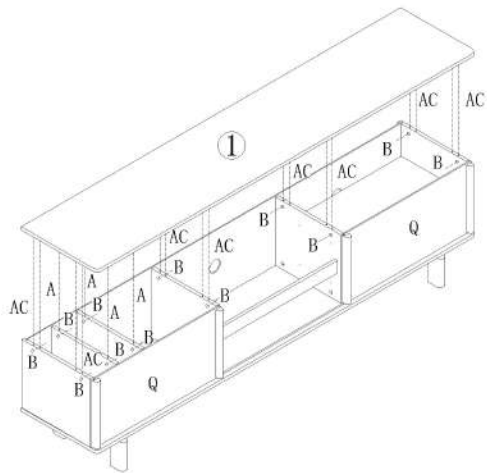
UB1M-A 2m高脚电视柜

安装方法/  
Installation method



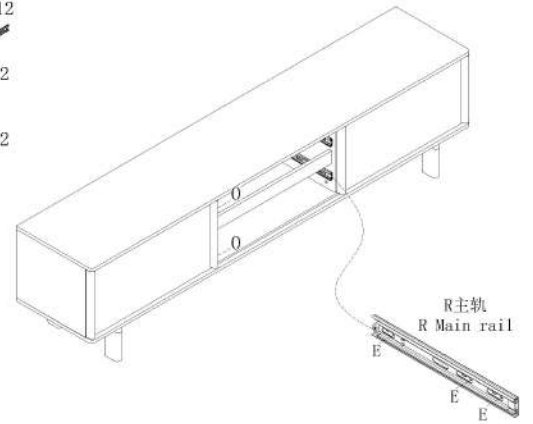
背板扣  
Back Plate Buckle

- (A)\*12
- (B)\*12
- (C)\*8



9

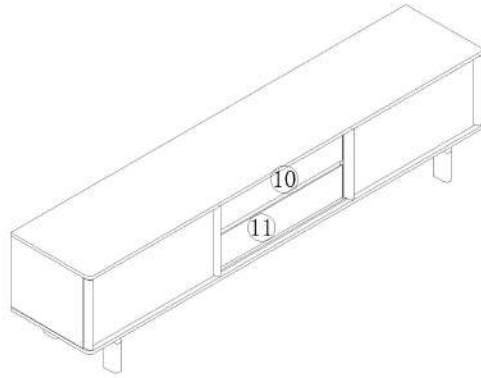
- (E)\*12
- (R)\*2
- (O)\*2



10

11

- (E)\*8
- (I)\*8



12

