

LINSY 林氏家居

安装示意图/Assembly Instruction

产品名称 Model NO.	LS724P1-A
产品规格 Specification	820x370x1720mm
安装工具 Tool	安装人数 Installer



五金表/Hardware list

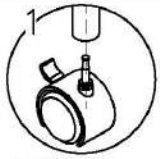
 A*4 1.5寸插入式轮子 1.5 inch plug-in wheel	 B*12 M6x30螺丝 M6x30 screw	 C*2 胶垫 Rubber pad	 M*1 M4 Z型扳手 M4 Z-type wrench
--	---	--	--

部件表/Parts List

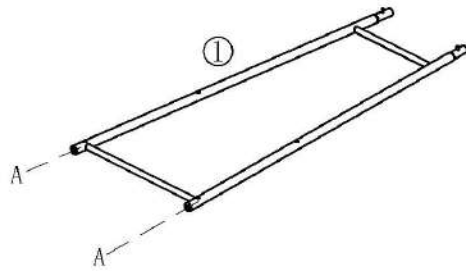
编号NO.	名称Name	规格Specification	数量QTY	材质Material
1	下架组 Off shelf group	850*355*19	2	铁Iron
2	大底网 Big bottom net	600*345*12.7	1	铁Iron
3	小底网 Small bottom net	600*305*12.7	1	铁Iron
4	左上架组 Upper left shelf group	870*245*19	1	铁Iron
5	右上架组 Upper right shelf group	870*245*19	1	铁Iron
6	挂衣杆A Clothes hanging rod a	∅19*0.67*800	1	铁Iron
7	挂衣杆B Clothes hanging rod b	592*85*19	1	铁Iron

LS724P1-A

安装方法
Installation
method



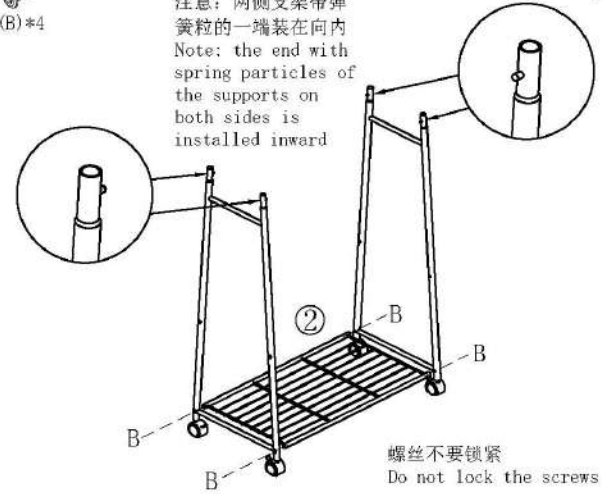
用力压进去
Press in with force



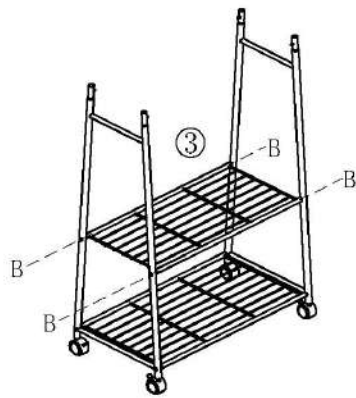
1



注意：两侧支架带弹簧粒的一端装在向内
Note: the end with spring particles of the supports on both sides is installed inward

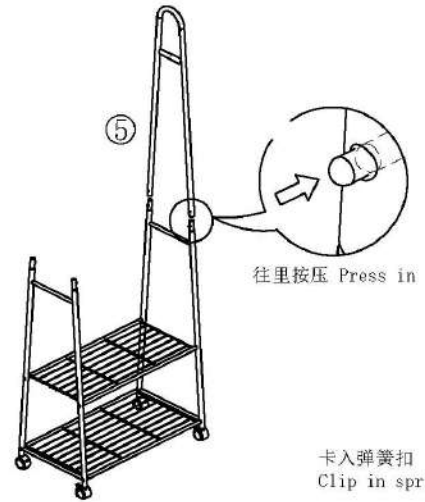


2



3

螺丝不要锁紧
Do not lock the screws

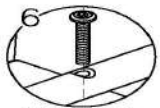


4

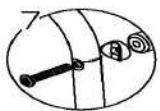
卡入弹簧扣
Clip in spring buckle

LS724P1-A

安装方法
Installation
method



注意凹口朝外
Note that the notch
faces outward



往里按压 Press in

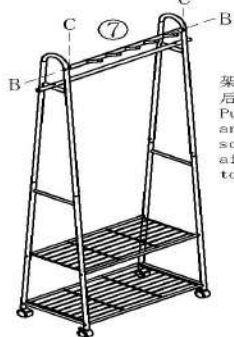


注意孔位朝向同一侧
Note that the hole
position faces the
same side

卡入弹簧扣
Clip in spring buckle



(B)*2
(C)*2



架子放平，四个脚落地后，再统一拧紧螺丝
Put the shelf flat,
and tighten the
screws uniformly
after four feet fall
to the ground

5



(B)*2

6



螺丝不要锁紧
Do not lock the screws

7

8