

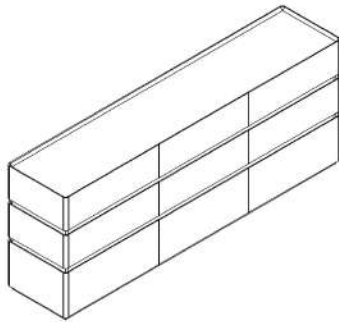


LINSY 林氏家居

安装示意图/Assembly Instruction

产品名称 Model NO.	UBIE-A(九斗柜)
产品规格 Specification	1818*390*712mm
安装工具 Tool	安装人数 Installer
	

注：为保证设计效果，部分尺寸为定制尺寸，不影响使用。



五金表/Hardware list

(A)*135 二合一螺杆 2-in-1-screw	(B)*135 大二合一锁芯 3-in-1 large lock	(C)*29 木榫Ø8*30mm Wood tenon	(D)*9 三节滚珠导轨10" Three-section rail
(E)*4 过山丝-M7*38mm Confinmat screw	(F)*6 透气孔盖-白色 Breathable cover	(G)*1 L=1782 夹板条 Splint strip	(H)*126 自攻螺丝M3.5*11mm Tapping screw
(I)*13 背板扣 White buckle	(J)*24 斜边十字螺钉M6*21mm Hovel cross screw	(K)*10 灰色毛毡垫 Ø16*3 Foot pad	(L)*2 家具防倒器-白色 Anti-fall device

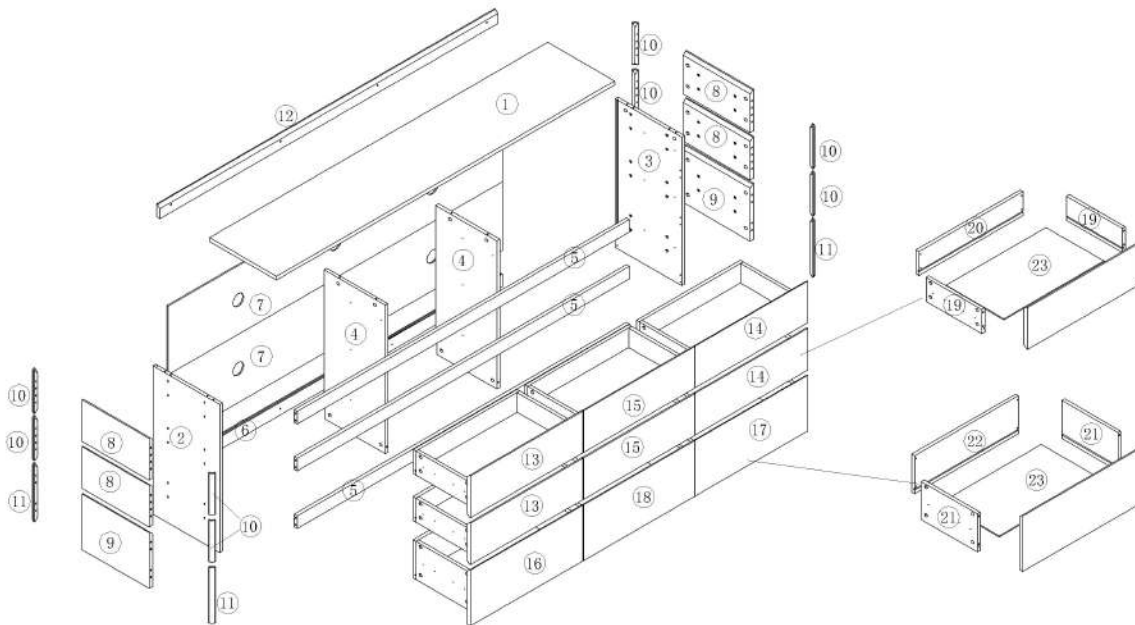
部件表/Parts List

编号NO.	名称Name	规格 (mm) Specification	数量QTY	材质Material
①	面板Top panel	1782*352*18	1	刨花板 Particle board
②	左侧板Side board(L)	677*352*15	1	刨花板 Particle board
③	右侧板Side board(R)	677*352*15	1	刨花板 Particle board
④	中侧板Middle side board	677*323*15	2	刨花板 Particle board
⑤	前拉条Front brace	1752*58*15	3	刨花板 Particle board
⑥	后立水Back dress	1752*58*15	1	刨花板 Particle board
⑦	背板Back board	1762*313*5	2	纤维板 Fiberboard
⑧	上侧板Upper side plate	354*190*18	4	刨花板 Particle board
⑨	下侧板Lower side board	354*254*18	2	刨花板 Particle board
⑩	木条1 Wood1	190*18*18	8	橡胶木 Rubber wood
⑪	木条2 Wood2	254*18*18	4	橡胶木 Rubber wood
⑫	后拉条Back brace	1782*58*18	1	刨花板 Particle board
⑬	左上抽屉面板Upper drawer's panel(L)	593*190*18	2	刨花板 Particle board
⑭	右上抽屉面板Upper drawer's panel(R)	593*190*18	2	刨花板 Particle board
⑮	上抽屉面板Upper drawer's panel	586*190*18	2	刨花板 Particle board
⑯	左下抽屉面板Bottom drawer's panel(L)	593*254*18	1	刨花板 Particle board
⑰	右下抽屉面板Bottom drawer's panel(R)	593*254*18	1	刨花板 Particle board
⑱	下抽屉面板Bottom drawer's panel	586*254*18	1	刨花板 Particle board
⑲	上抽屉侧板Upper drawer's sideboard	295*110*15	12	刨花板 Particle board
⑳	上抽屉后板Upper drawer's back board	548*110*15	6	刨花板 Particle board
㉑	下抽屉侧板Lower drawer's sideboard	295*174*15	6	刨花板 Particle board
㉒	下抽屉后板Down drawer's back board	548*174*15	3	刨花板 Particle board
㉓	抽屉底板Drawer's Bottom board	528*305*5	9	纤维板 Fiberboard

UB1E-A (九斗柜)

产品分解图/Exploded drawing

部件表/Parts List



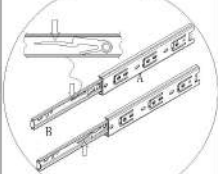
编号NO.	名称Name
①	面板Top panel
②	左侧板Side board(L)
③	右侧板Side board(R)
④	中侧板Middle side board
⑤	前拉条Front brace
⑥	后立水Back dress
⑦	背板Back board
⑧	上侧板Upper side plate
⑨	下侧板Lower side board
⑩	木条1 Wood1
⑪	木条2 Wood2
⑫	后拉条Back brace
⑬	左上抽屉面板Upper drawer's panel(L)
⑭	右上抽屉面板Upper drawer's panel(R)
⑮	上抽屉面板Upper drawer's panel
⑯	左下抽屉面板Bottom drawer's panel(L)
⑰	右下抽屉面板Bottom drawer's panel(R)
⑱	下抽屉面板Bottom drawer's panel
⑲	上抽屉侧板Upper drawer's sideboard
⑳	上抽屉后板Upper drawer's back board
㉑	下抽屉侧板Lower drawer's sideboard
㉒	下抽屉后板Down drawer's back board
㉓	抽屉底板Drawer's Bottom board

UB1E-A (九斗柜)

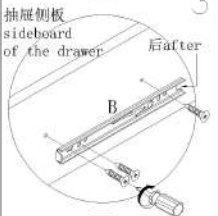
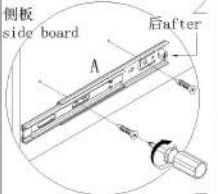
安装方法/

Installation method

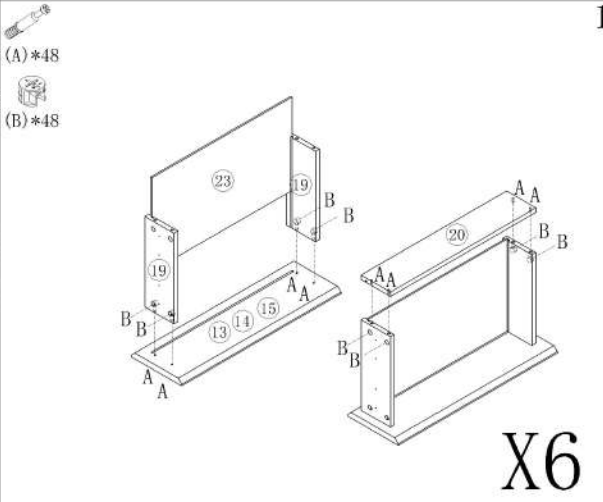
阀门开关 (下压为开)
Valve switch
(press down to open)



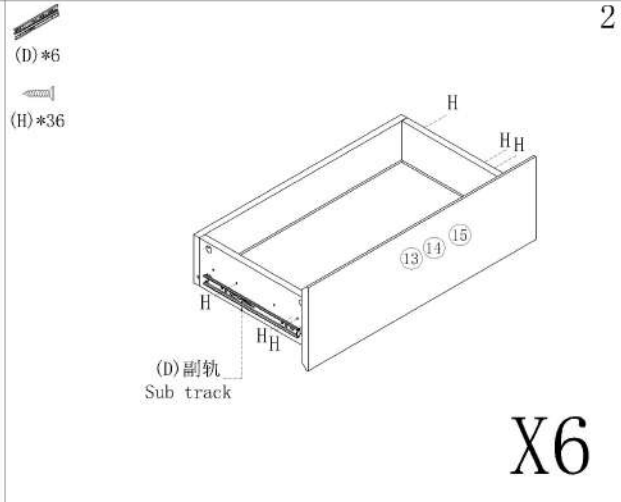
注: 先将A与B拆下来
Note: remove a and B first



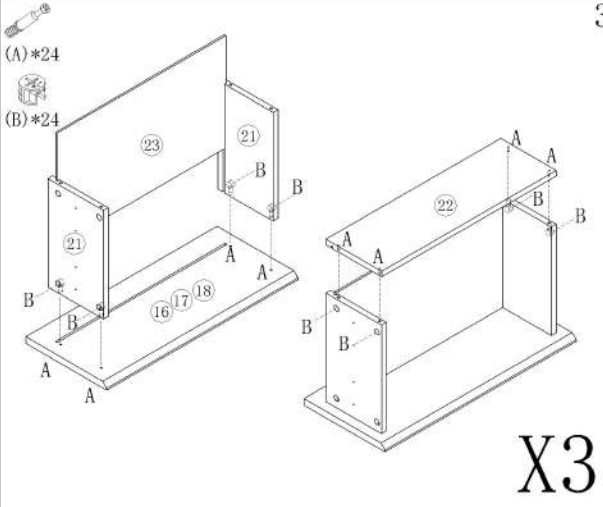
注: 将B对准A后推进去
Note: align B with a and push it in
三节滚珠导轨
three-section ball rail



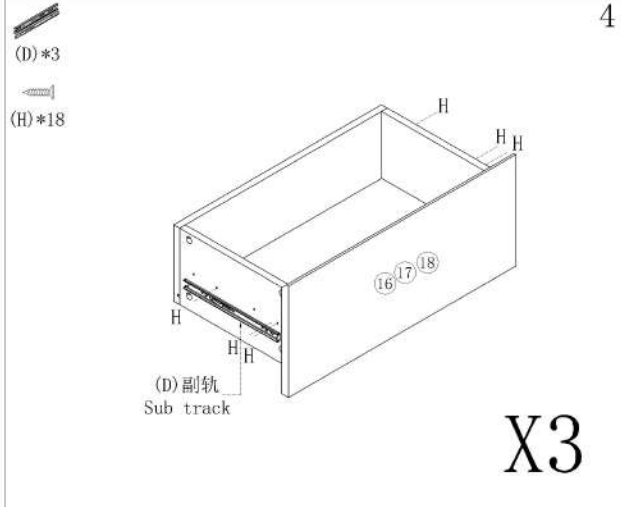
X6



X6



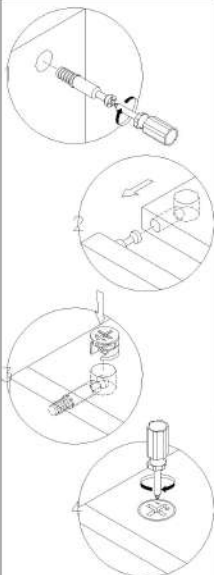
X3



X3

UB1E-A (九斗柜)

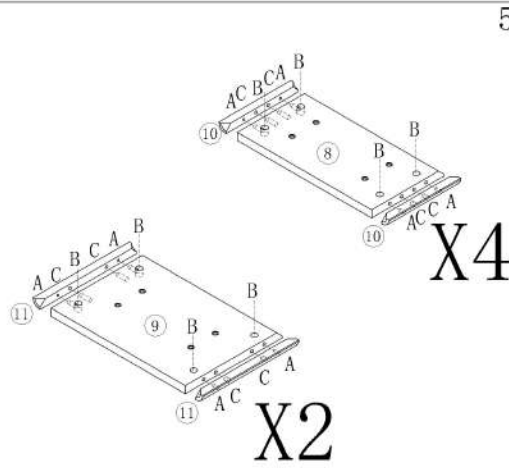
安装方法/
Installation method



大二合一
two-in-one

- (A)*24
- (B)*24
- (C)*24

- (A)*16
- (B)*16

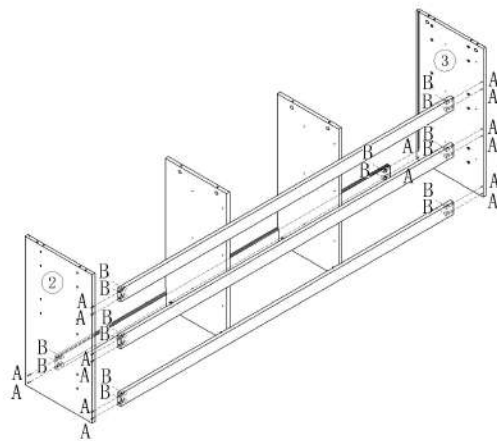


5

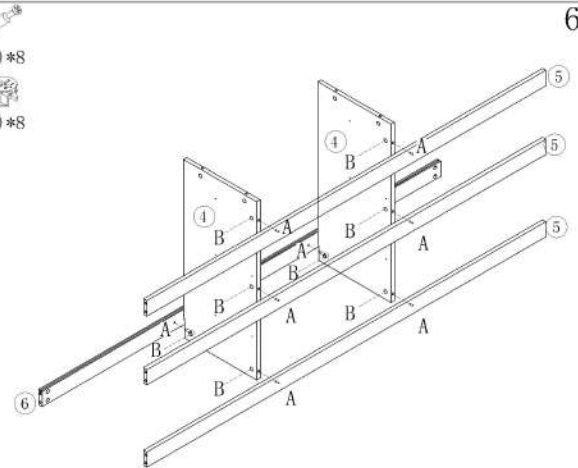
- (A)*8
- (B)*8

7

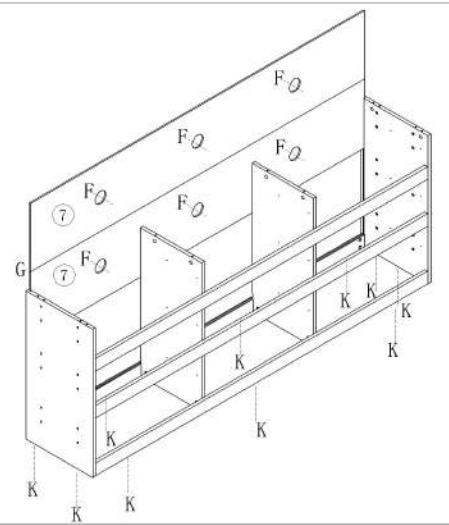
- (F)*6
- (G)*1
- (K)*10



6

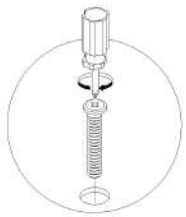


8

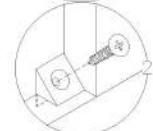


UB1E-A (九斗柜)

安装方法/
Installation method

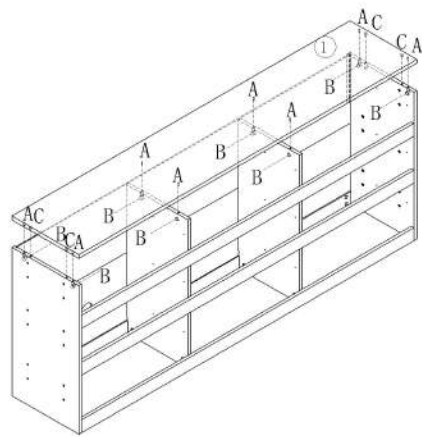


斜边十字螺杆
level cross screw



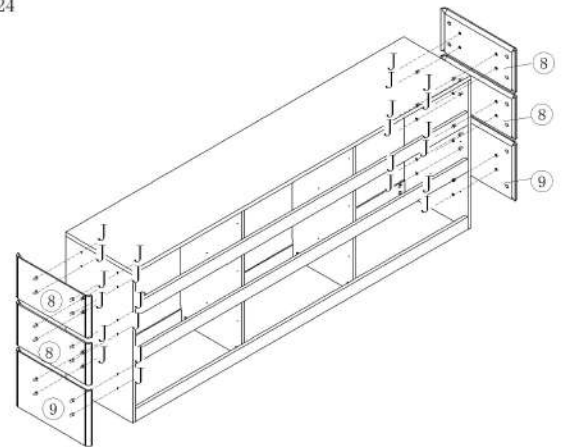
背板扣
Back Plate Buckle

- (A)*8
- (B)*8
- (C)*4



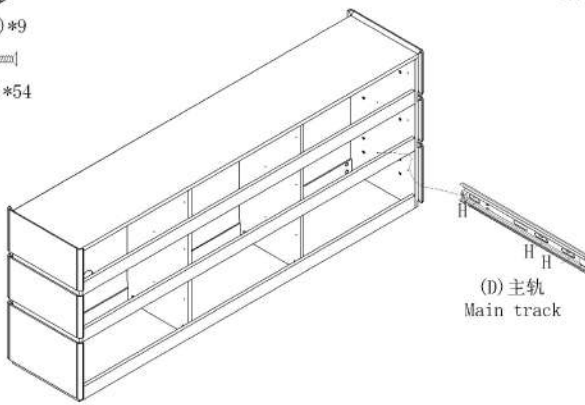
9

- (J)*24



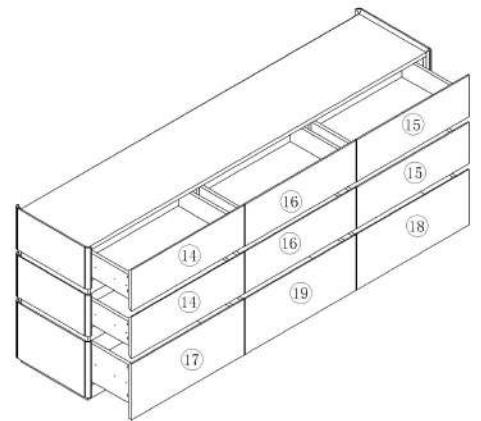
10

- (D)*9
- (H)*54



11

(D) 主轨
Main track



12

