

LINSY 林氏家居

五金表/Hardware list

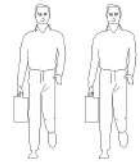
部件表/Parts List

安装示意图/Assembly Instruction

产品名称 Model NO. UB3X-A 0.8m

产品规格 Specification 754*359*1175mm

安装工具 Tool 安装人数 Installer



注：为保证设计效果，部分尺寸为定制尺寸，不影响使用。



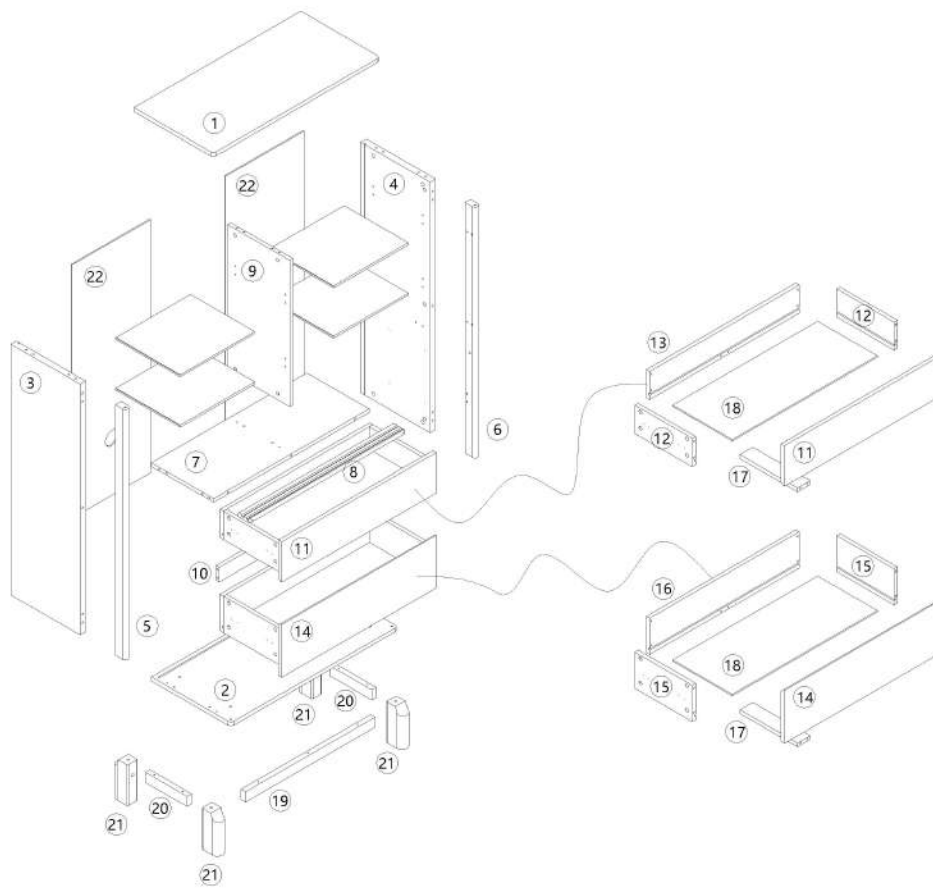
(A)*56 二合一螺杆 2-in-1-screw	(B)*56 大三合一锁扣 3-in-1 large lock	(C)*25 木榫Ø8×30mm Wood tenon	(D)*2 二三节导轨10° (SE-100) Three-section rail
(E)*12 白攻螺絲M3.5×11mm Tapping screw	(F)*17 玻璃层板托杆/叉 Glass laminate holder	(G)*13 背板扣 Back Plate Buckle-White	(H)*1 夹板条-L=979mm Berkelone slot
(I)*2 银色亮光圆环拉手 Silver shiny circular handle	(J)*8 透明防尘孔塞 Transparent anti-dust hole plug	(K)*2 透气孔盖-白色 Breathable cover	(L)*4 9厘透明防滑PVC脚垫 Rubber stopper
(M)*4 斜边十字螺杆Ø8×70 Bevel cross screw	(N)*4 螺母Ø8×15彩锌 Hammer nut	(O)*7 白攻大扁M4*40mm Self tapping flat screw	(P)*1 家具防倒器-白色 Anti-fall device
(Q)*2 小角码-(114*21*1.5mm) Small bracket	(R)*4 蓝色层板玻璃-330*290*8 Two color layer board glass	(S)*2 蓝色门板玻璃-582*330*8 Two color door panel glass	

编号NO.	名称Name	规格(mm) Specification	数量QTY	材质Material
①	顶板Top board	754*359*15	1	刨花板 Particle board
②	底板Bottom board	754*359*15	1	刨花板 Particle board
③	左侧板Side board(L)	980*313*25	1	刨花板 Particle board
④	右侧板Side board(R)	980*313*25	1	刨花板 Particle board
⑤	左前柱Front pillar(L)	980*45*25	1	橡胶木Rubber wood
⑥	右前柱Front pillar(R)	980*45*25	1	橡胶木Rubber wood
⑦	层板Shelf	702*281*15	1	刨花板 Particle board
⑧	装饰条Decorative strip	702*55*15	1	橡胶木Rubber wood
⑨	中侧板Middle side board	572*281*15	1	刨花板 Particle board
⑩	拉条Brace	702*58*15	1	刨花板 Particle board
⑪	上抽屉面板Upper drawer's panel	698*157*15	1	刨花板 Particle board
⑫	上抽屉侧板Upper drawer side panel	260*110*15	2	刨花板 Particle board
⑬	上抽屉后板Upper drawer's back board	676*110*15	1	刨花板 Particle board
⑭	下抽屉面板Bottom drawer's panel	698*205*15	1	刨花板 Particle board
⑮	下抽屉侧板Lower drawer side panel	260*142*15	2	刨花板 Particle board
⑯	下抽屉后板Down drawer's back board	676*142*15	1	刨花板 Particle board
⑰	抽屉底拖条Drawer bottom strip	260*58*15	2	刨花板 Particle board
⑱	抽屉底板Drawer's Bottom board	656*270*5	2	纤维板Fiberboard
⑲	前立水Front apron	585*40*20	1	橡胶木Rubber wood
⑳	侧立水Side apron	189*40*20	2	橡胶木Rubber wood
㉑	脚Foot	160*70*45	4	橡胶木Rubber wood
㉒	背板Back board	990*355*5	2	纤维板Fiberboard

UB3X-A 0.8m

产品分解图/Exploded drawing

部件表/Parts List



编号NO.	名称Name
①	顶板Top board
②	底板Bottom board
③	左侧板Side board(L)
④	右侧板Side board(R)
⑤	左前柱Front pillar(L)
⑥	右前柱Front pillar(R)
⑦	层板Shelf
⑧	装饰条Decorative strip
⑨	中侧板Middle side board
⑩	拉条Brace
⑪	上抽屉面板Upper drawer's panel
⑫	上抽屉侧板Upper drawer side panel
⑬	上抽屉后板Upper drawer's back board
⑭	下抽屉面板Bottom drawer's panel
⑮	下抽屉侧板Lower drawer side panel
⑯	下抽屉后板Down drawer's back board
⑰	抽屉底拖条Drawer bottom strip
⑱	抽屉底板Drawer's Bottom board
⑲	前立水Front apron
⑳	侧立水Side apron
㉑	脚Foot
㉒	背板Back board

UB3X-A 0.8m

安装方法/

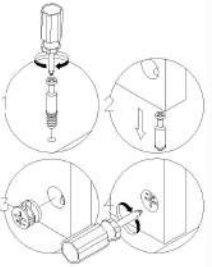
Installation method

阀门开关(下压为开)
Valve switch (press down to open)

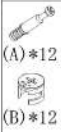
前 Forward 后 Back



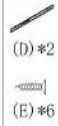
三节滚珠导轨-10°
Three-section rail



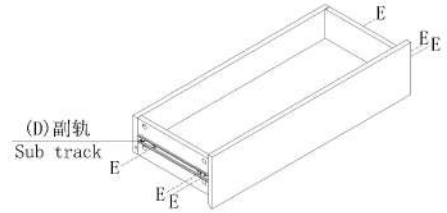
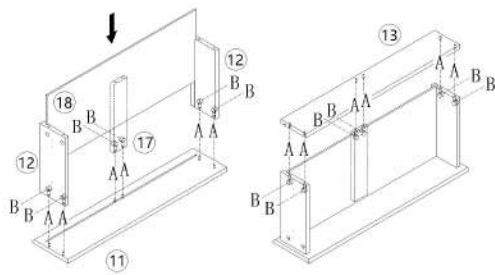
二合一 two-in-one



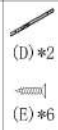
1



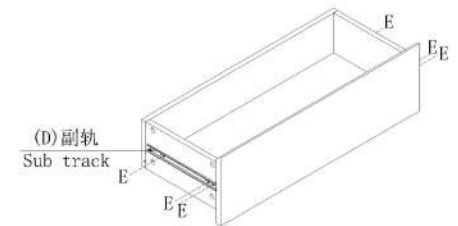
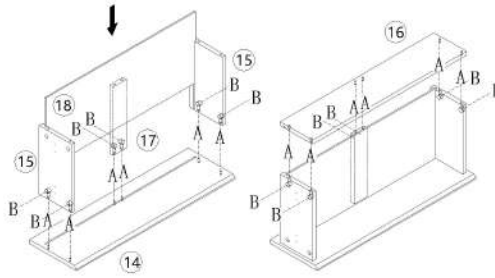
2



3



4



UB3X-A 0.8m

安装方法/

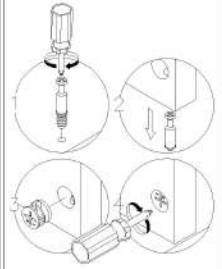
Installation method

阀门开关(下压为开)
Valve switch (press down to open)

前 Forward 后 Back



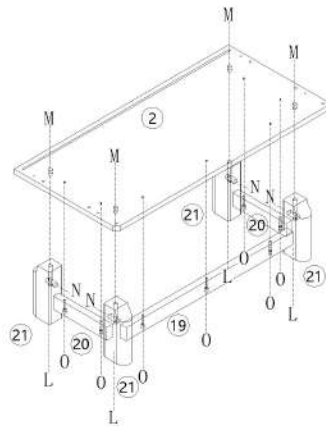
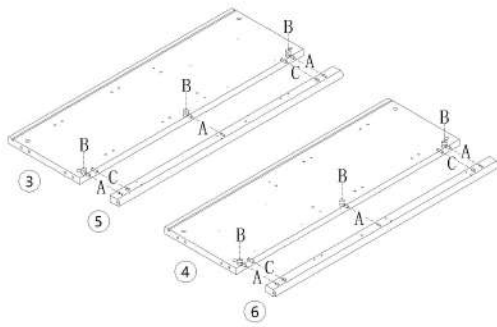
三节滚珠导轨-10°
Three-section rail



二合一 two-in-one

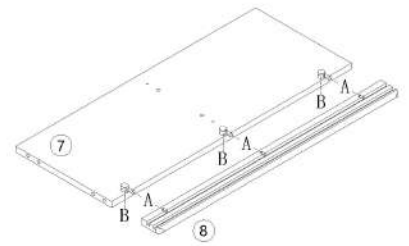
- (A)*6
- (B)*6
- (C)*4

- (M)*4
- (N)*4
- (L)*4
- (O)*7



5

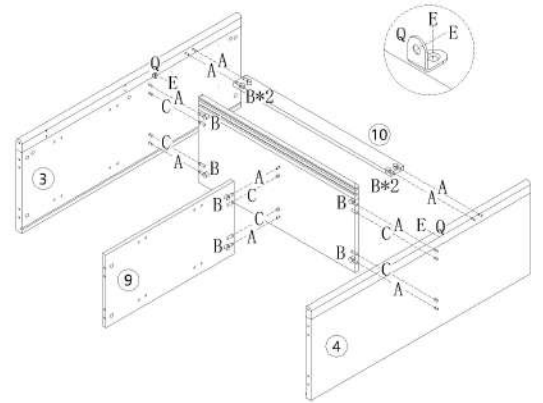
- (A)*3
- (B)*3



6

7

- (A)*10
- (B)*10
- (C)*6
- (E)*4
- (Q)*2



8

UB3X-A 0.8m

安装方法/

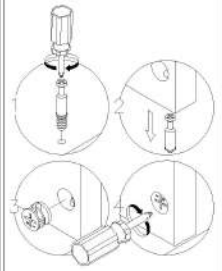
Installation method

阀门开关(下压为开)
Valve switch (press down to open)

前 Forward 后 Back



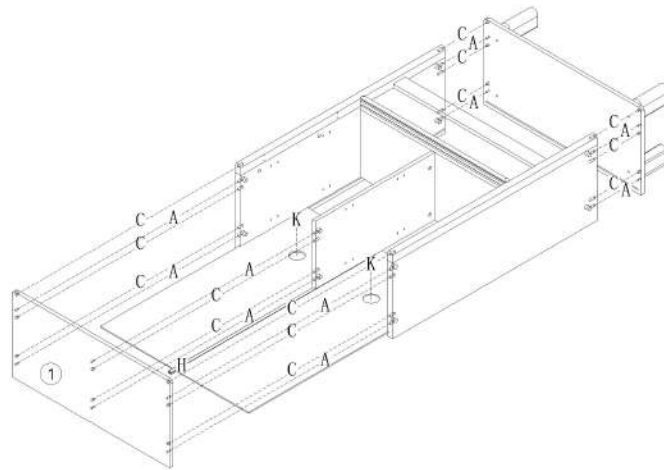
三节滚珠导轨-10°
Three-section rail



二合一 two-in-one

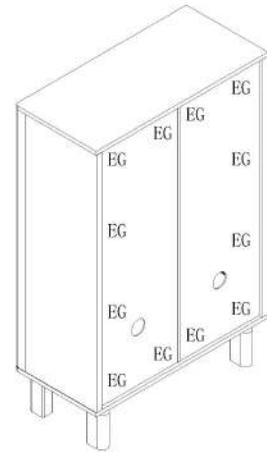
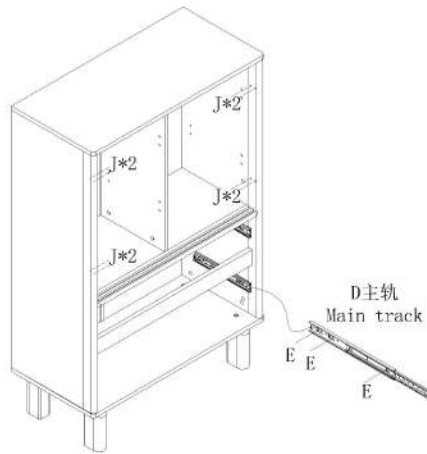
- (A)*10
- (B)*10
- (C)*14
- (H)*1
- (K)*2

- (D)*2
- (E)*12
- (J)*8



10

- (E)*12
- (G)*12



UB3X-A 0.8m

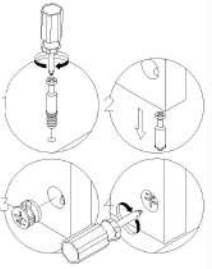
安装方法/
Installation method

阀门开关(下压为开)
Valve switch (press down to open)

前 Forward 后 Back

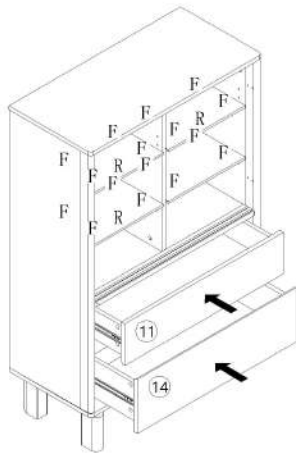


三节滚珠导轨-10°
Three-section rail



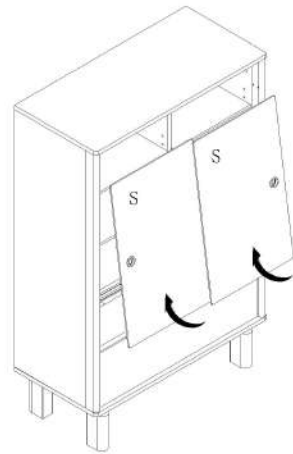
二合一 two-in-one

(F)*16
(R)*4

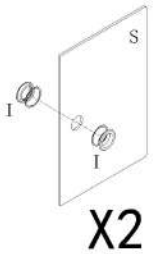


12

(I)*2
(S)*2

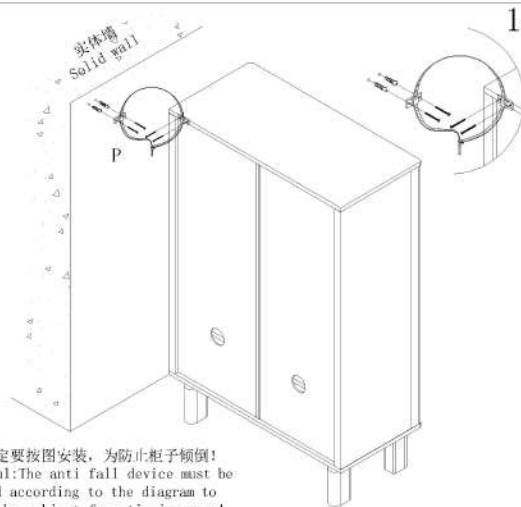


13



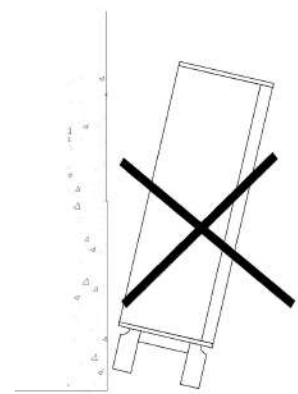
X2

(P)*1



14

15



注意:
防倒器一定要按图安装, 为防止柜子倾倒!
be careful! The anti fall device must be
installed according to the diagram to
prevent the cabinet from tipping over!