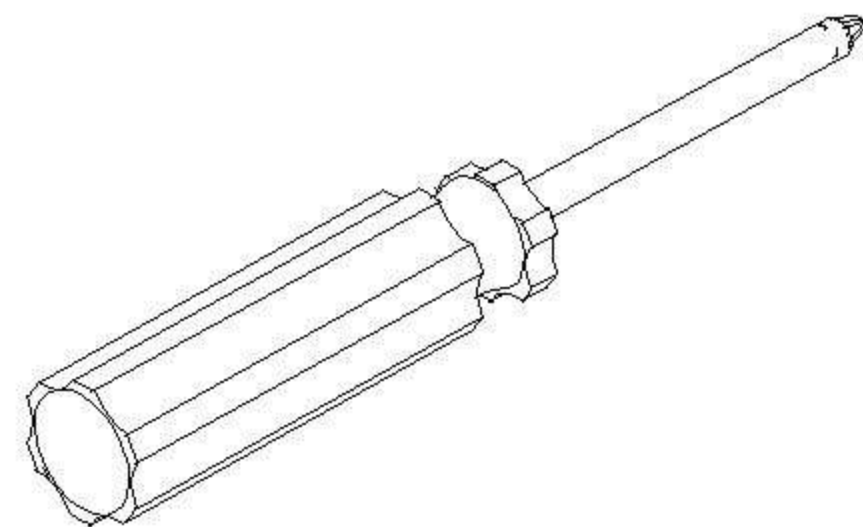
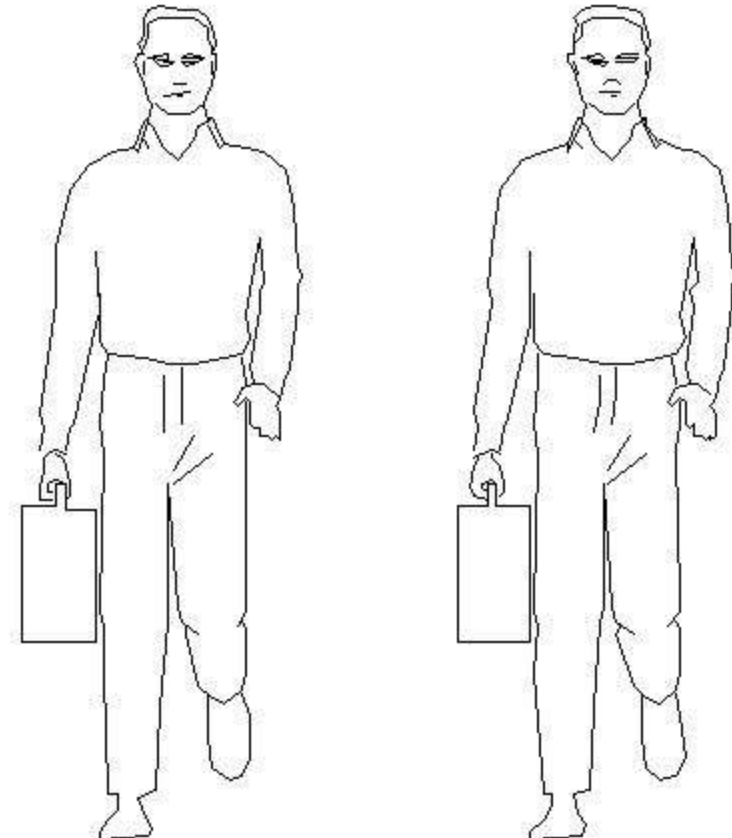


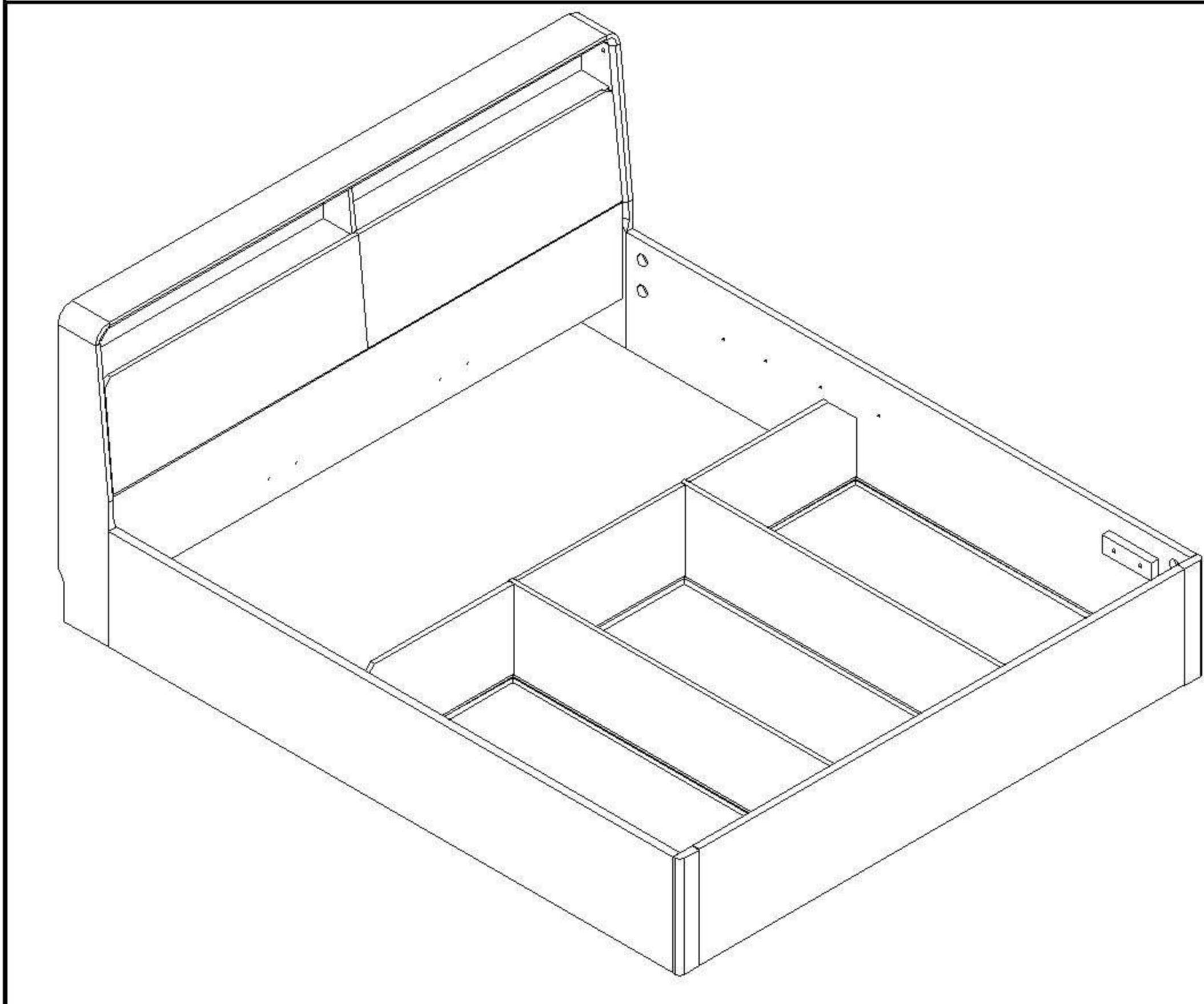
LINSY 林氏家居

五金表/Hardware list

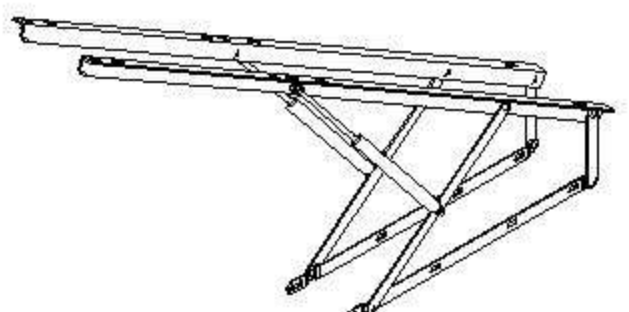
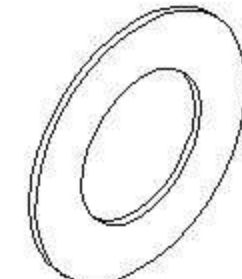
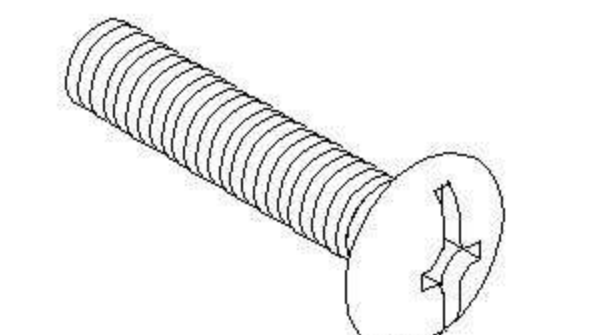
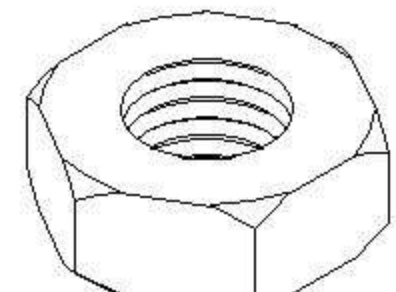
部件表/Parts List

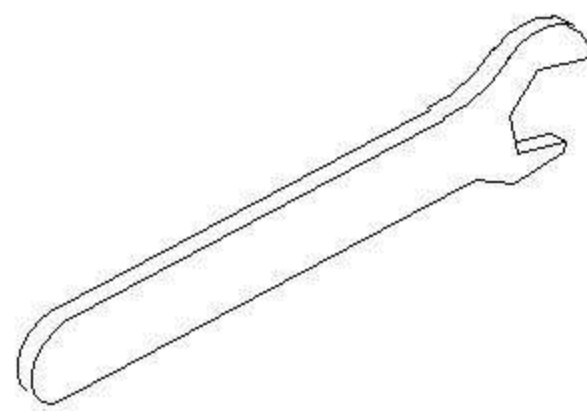
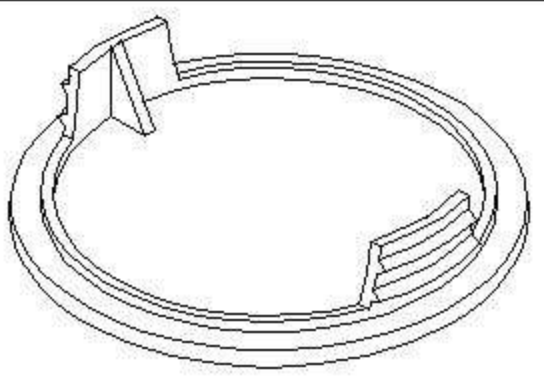
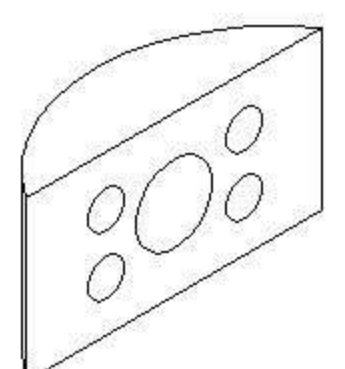
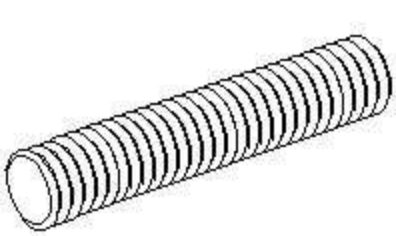
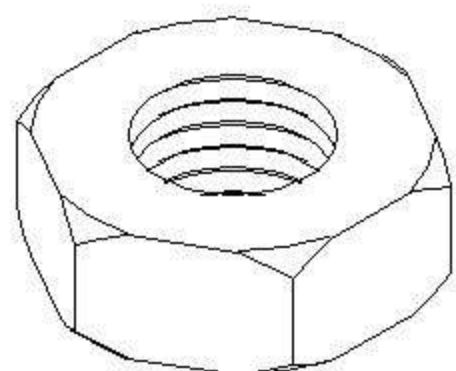
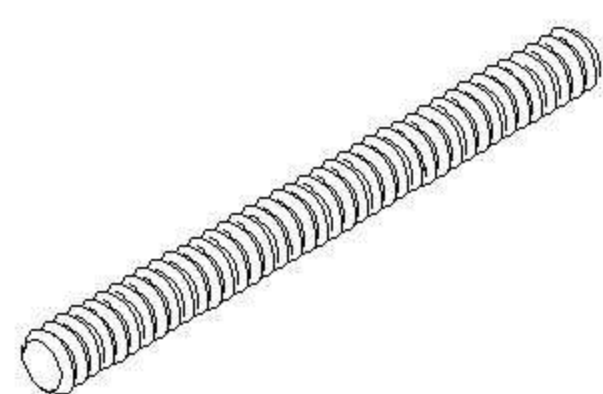
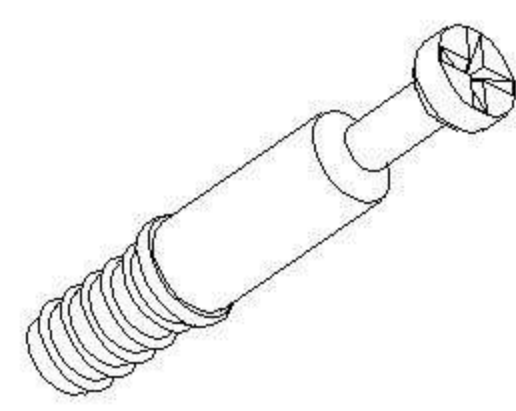
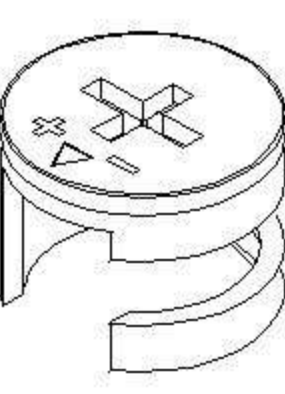

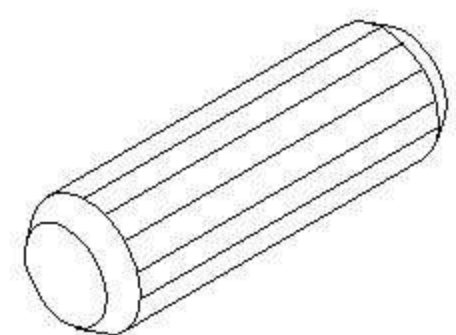
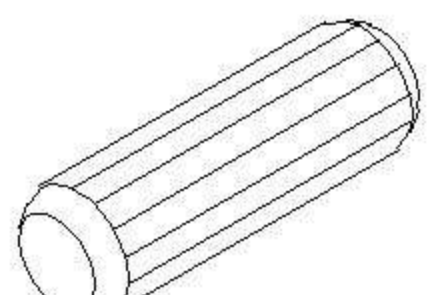
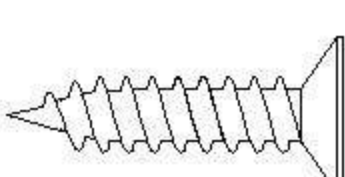

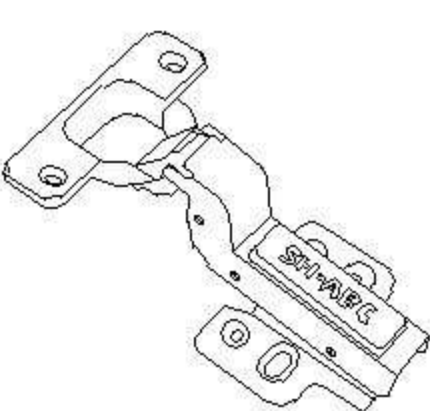
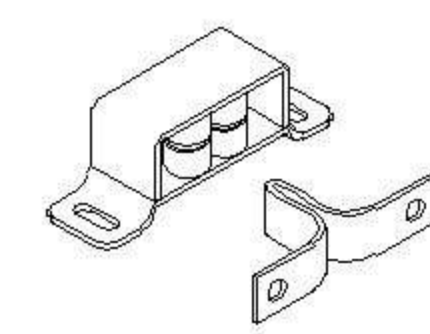
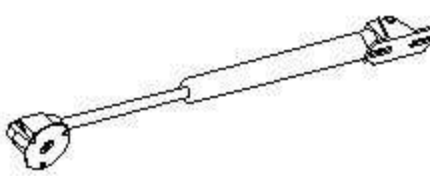
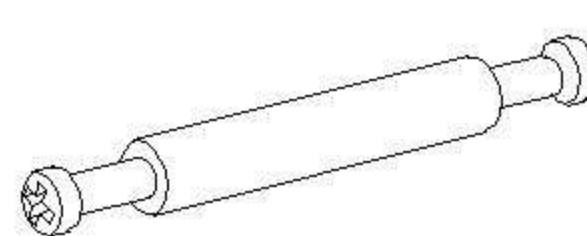
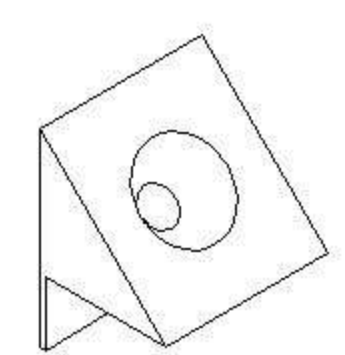
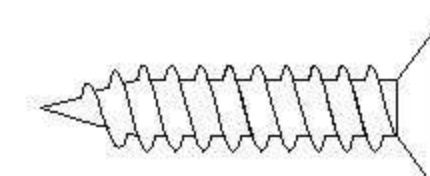

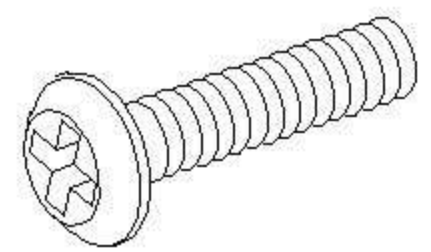
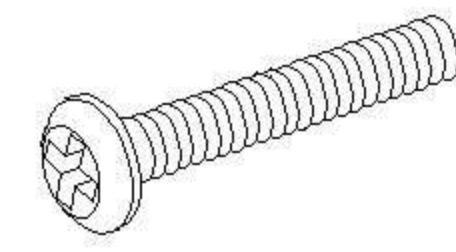
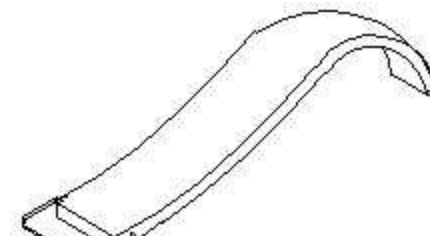
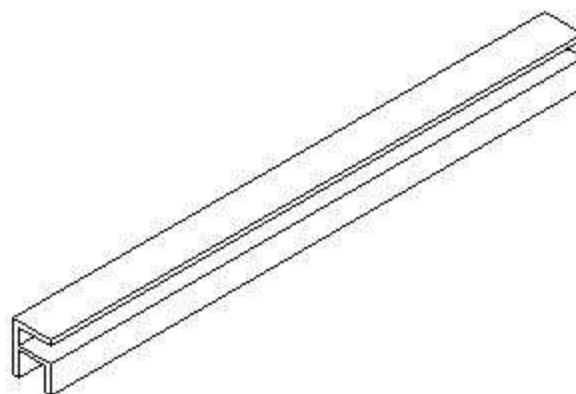
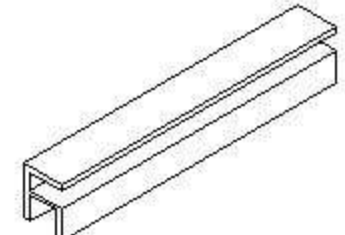

安装示意图/Assembly Instruction

产品名称 Model NO.	AU1A-A(1.8m)
产品规格 Specification	2206*1862*983mm
安装工具 Tool	安装人数 Installer
	



气动杆内带五金 (Hardware included in Pneumatic rod)

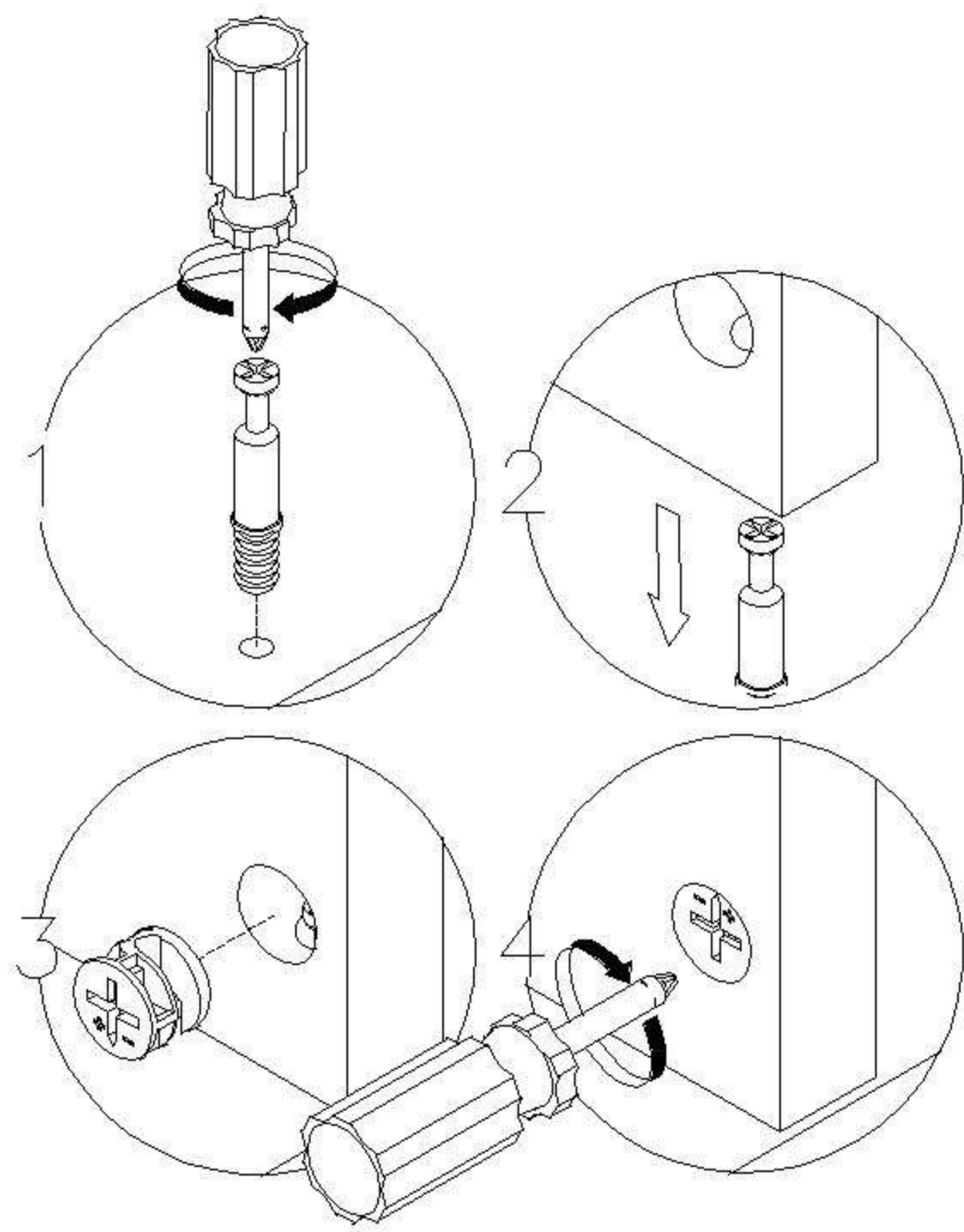
 (A1)*1 气动杆-L=1500mm Pneumatic rod	 (B1)*7 垫片-M8 Shim-M8	 (C1)*6 大扁头十字螺杆-M8x15 Flat head screw
 (D1)*7 外六角螺母-M8 Hexagon Nut-(M8)		

 (A)*1 开口扳手-14mm Open Wrench	 (B)*12 五合一孔盖 5-in-1 cover	 (C)*12 五合一月牙-M8 5-in-1 screw	 (D)*8 全牙螺杆-(M8*80mm) Full thread screw
 (E)*12 外六角螺母-M8 Hexagon Nut	 (F)*4 全牙螺杆-(M8*100mm) Full thread screw	 (G)*34 二合一螺杆 2-in-1-screw	 (H)*46 大三合一锁饼 3-in-1 large lock
 (I)*4 锤母M8*15彩锌 Hammer nut	 (J)*13 木榫Ø10x10mm Wood tenon	 (K)*4 木榫Ø8x30mm Wood tenon	 (L)*55 白攻螺丝M3.5*12mm Tapping screw
 (M)*8 小角码-(14*21*1.5mm) Small bracket	 (N)*4 缓冲门铰大弯-杯径Ø35 Great bend hinge	 (O)*4 门夹扣 Door clip	 (P)*4 气动杆 Pneumatic rod
 (Q)*6 双头三合一螺杆 Double head 3-in-1 screw	 (R)*8 背板扣 White buckle	 (S)*8 白攻螺丝M3.5*16mm Tapping screw	 (T)*21 灰色毛毡垫 Foot pad
 (U)*8 斜边十字螺杆M8*20mm Bevel cross screw	 (V)*4 斜边十字螺杆-M6x25mm Bevel cross screw	 (W)*1 棕色布拉手 Brown cloth handle	 (X)*6 塑胶条L=1181mm Plastic strip
 (Y)*6 塑胶条L=565mm Plastic strip	 (Z)*1 气动排骨架 Bedstead		

编号NO.	名称Name	规格(mm) Specification	数量QTY	材质Material
①	床头左脚 Left foot of the head of the bed	930*180*26	1	实木 Wood
②	床头右脚 Right foot of the head of the bed	930*180*26	1	实木 Wood
③	床头顶线 Headboard top strip	1762*134*26	1	实木 Wood
④	顶饰条1 Top trim bar 1	134*50*50	2	实木 Wood
⑤	上层板 Upper shelf	897.5*121*15	2	三胺板 Melamine
⑥	下层板 Lower shelf	1810*154*15	1	三胺板 Melamine
⑦	中侧板 Middle side board	480*154*15	1	三胺板 Melamine
⑧	上背板 Upper back board	906*158*5	2	三胺板 Melamine
⑨	下背板 Lower back board	324*906*5	2	三胺板 Melamine
⑩	左门板 Door board(L)	902*338*15	1	三胺板 Melamine
⑪	右门板 Door board(R)	902*338*15	1	三胺板 Melamine
⑫	床头下节主板 main board of bed head bottom	1810*296*15	1	三胺板 Melamine
⑬	床尾主板 Bed tail Mainboard	1722*356*25	1	三胺板 Melamine
⑭	床尾脚 Bed tail foot	356*70*26	2	实木 Wood
⑮	左床侧 Bedside(L)	2000*356*25	1	三胺板 Melamine
⑯	右床侧 Bedside(R)	2000*356*25	1	三胺板 Melamine
⑰	床板托条 Bed board support strip	174*58*25	2	三胺板 Melamine
⑱	中侧板 Middle side board	1200*294*15	2	三胺板 Melamine
⑲	中隔板 Middle clapboard	593*294*15	1	三胺板 Melamine
⑳	边隔板 Side clapboard	593*294*15	2	三胺板 Melamine
㉑	底板 Bottom board	1175*585*5	3	三胺板 Melamine

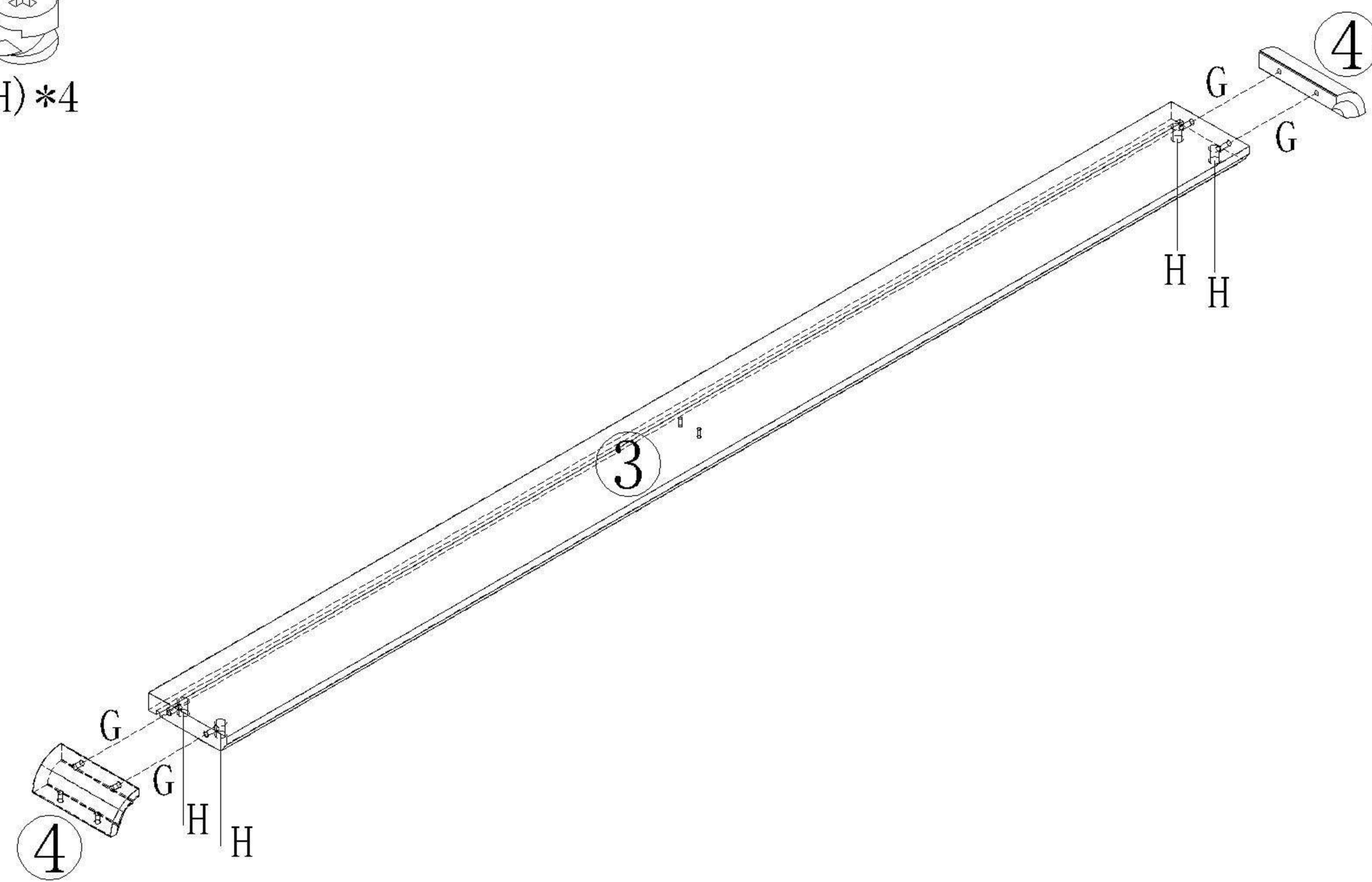
AU1A-A (1.8m)

安装方法/Installation method

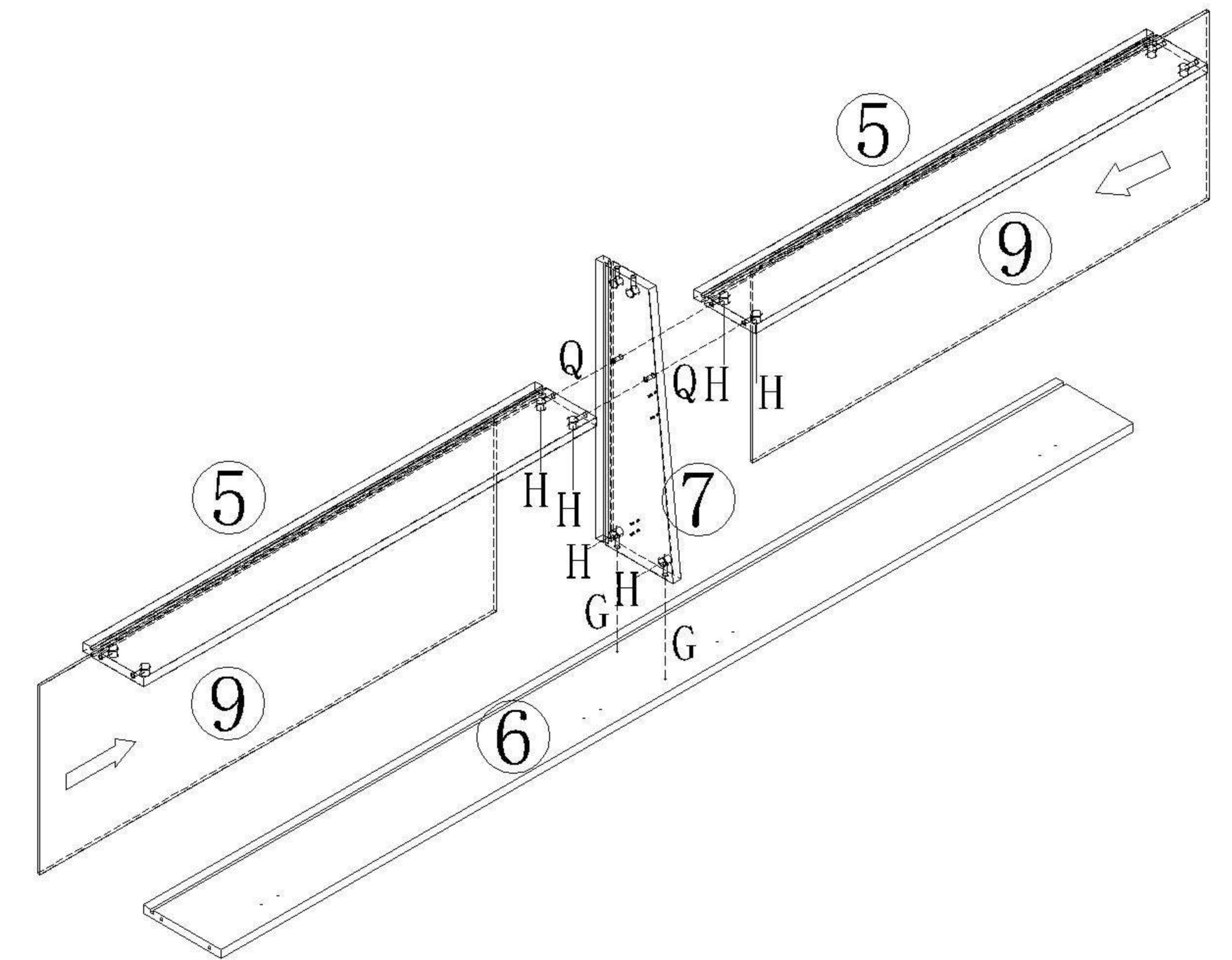


二合一 two-in-one

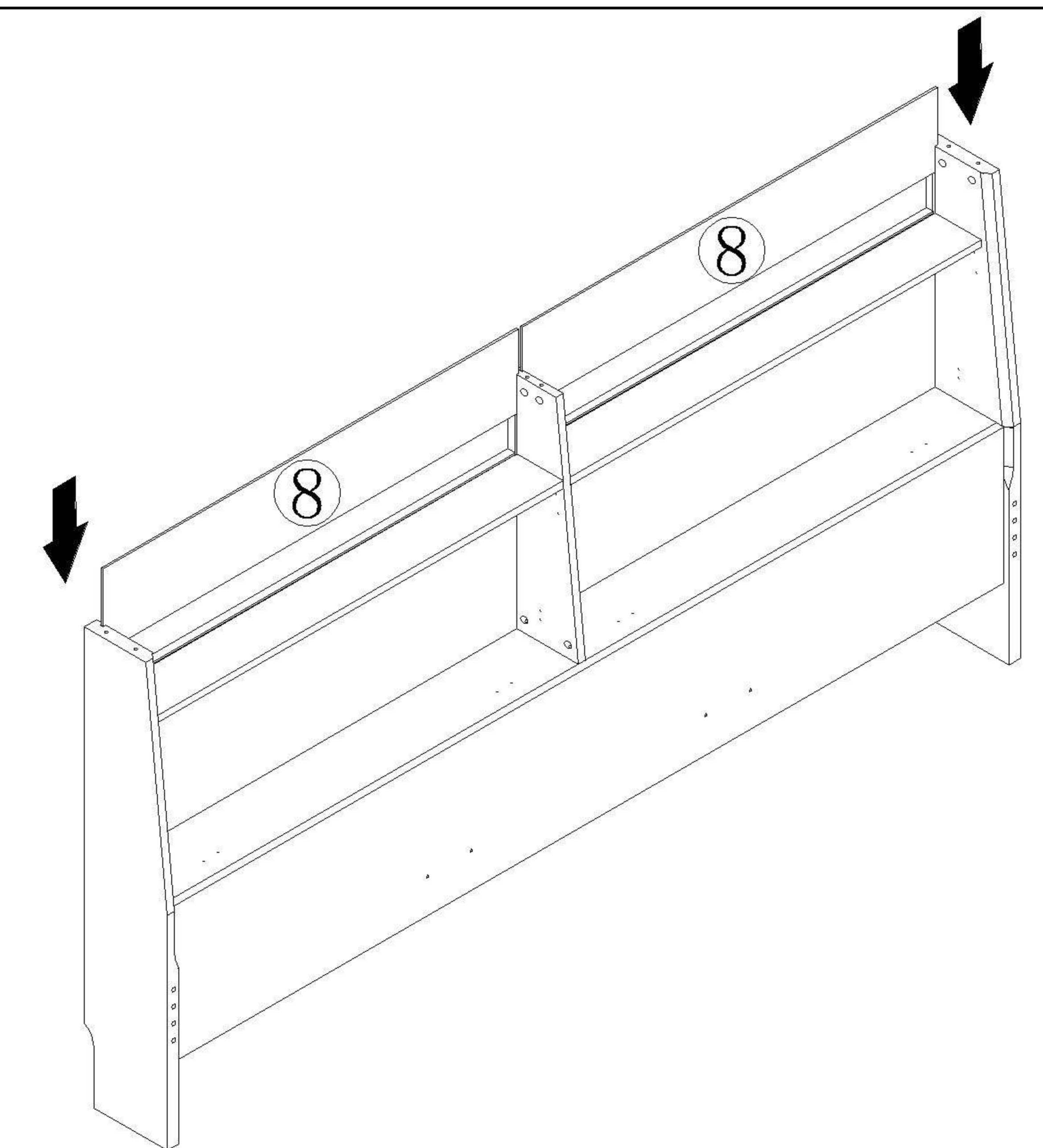
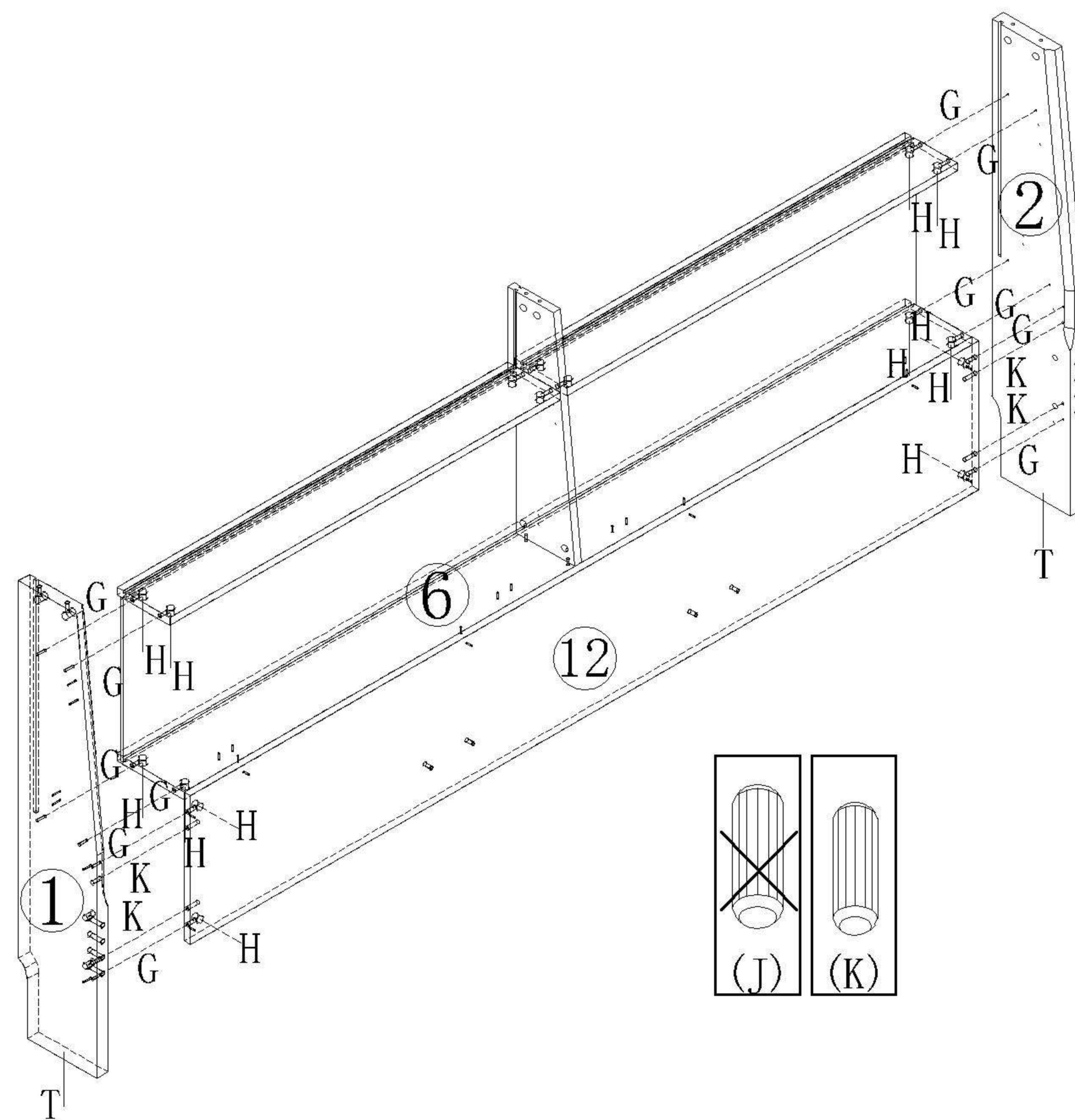
- (G)*4
- (H)*4



- (G)*2
- (H)*6
- (Q)*2

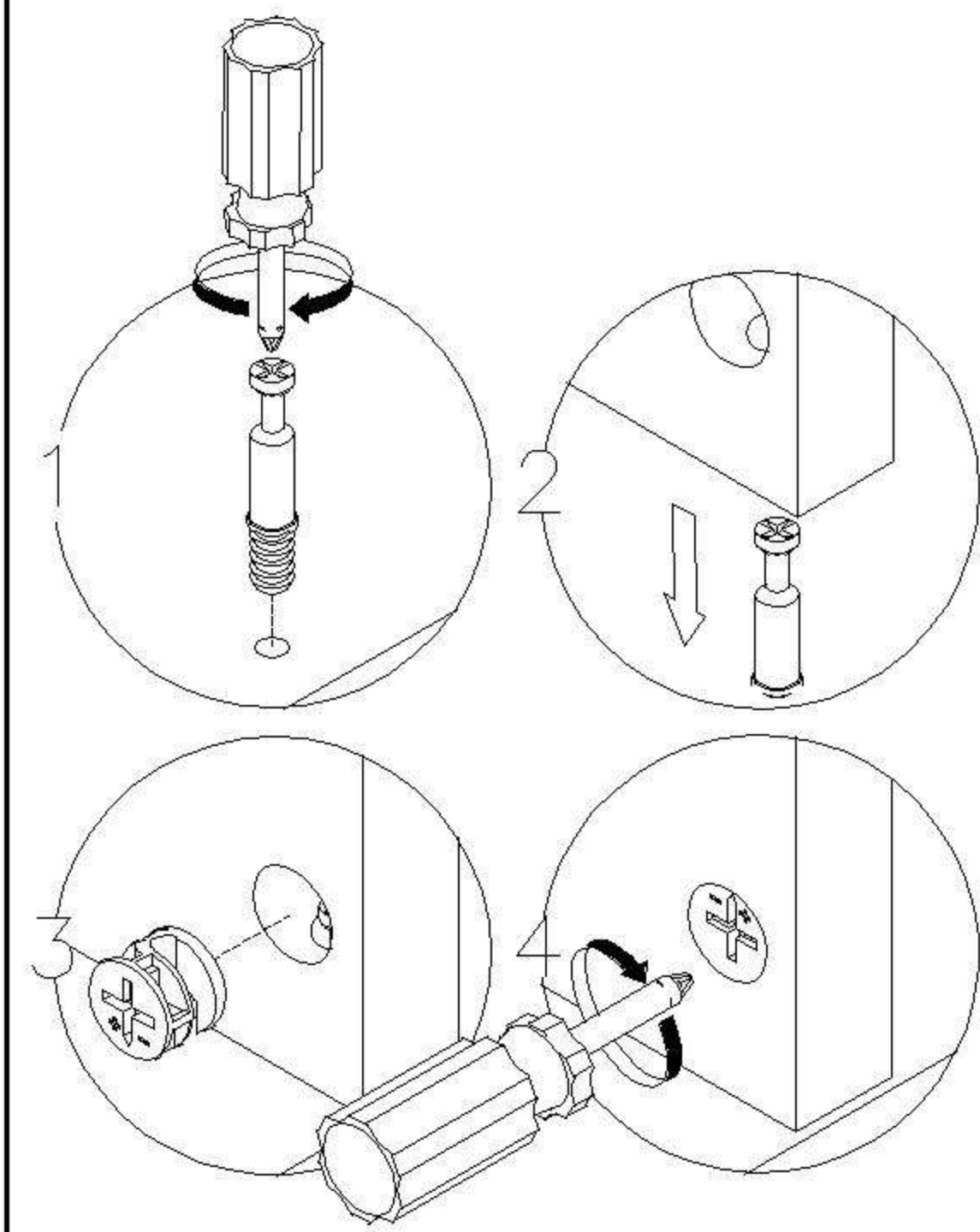


- (G)*12
- (H)*12
- (K)*4
- (T)*2



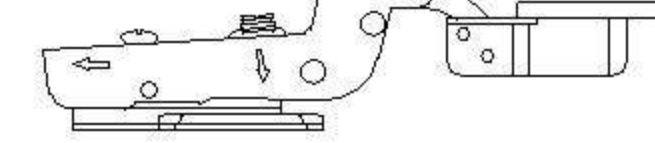
AU1A-A(1.8m)

安装方法/Installation method

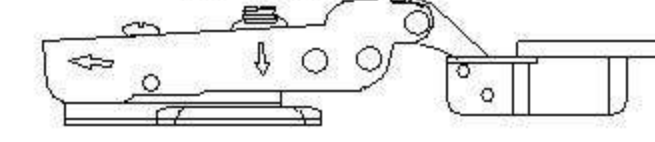


二合一 two-in-one

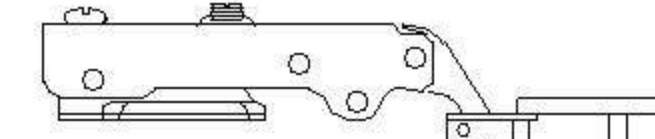
大弯big bend



中弯middle bending

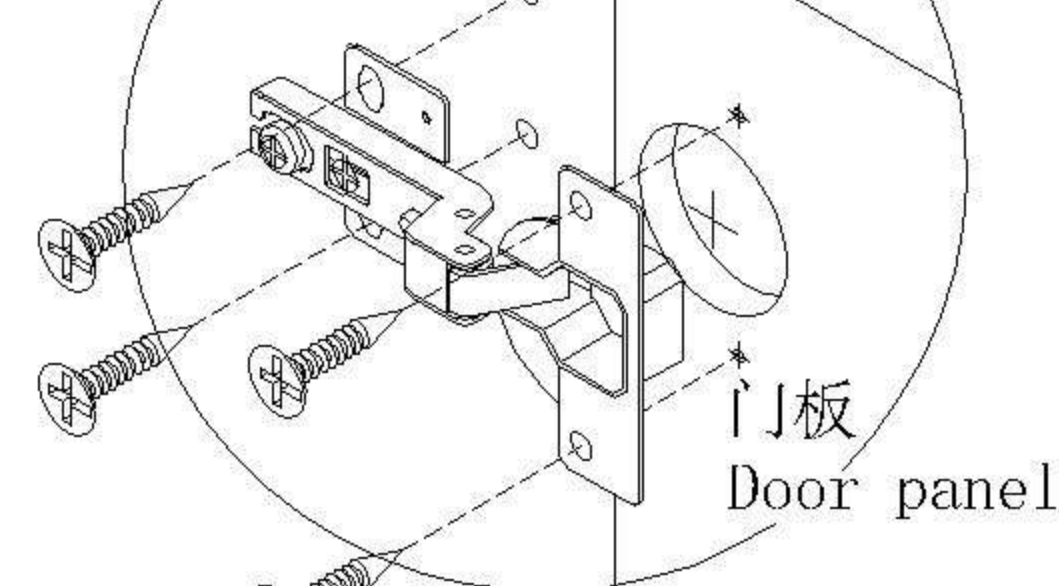


直弯straight bending



侧板

side board



门板

Door panel

调节上下

Adjust up and down

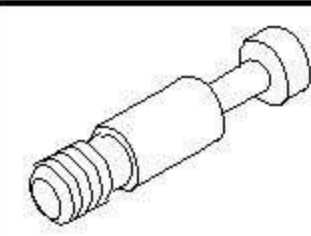
调节左右

Adjust left and right

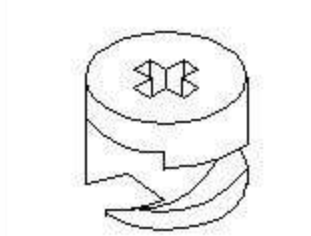
调节前后

Before and after adjustment

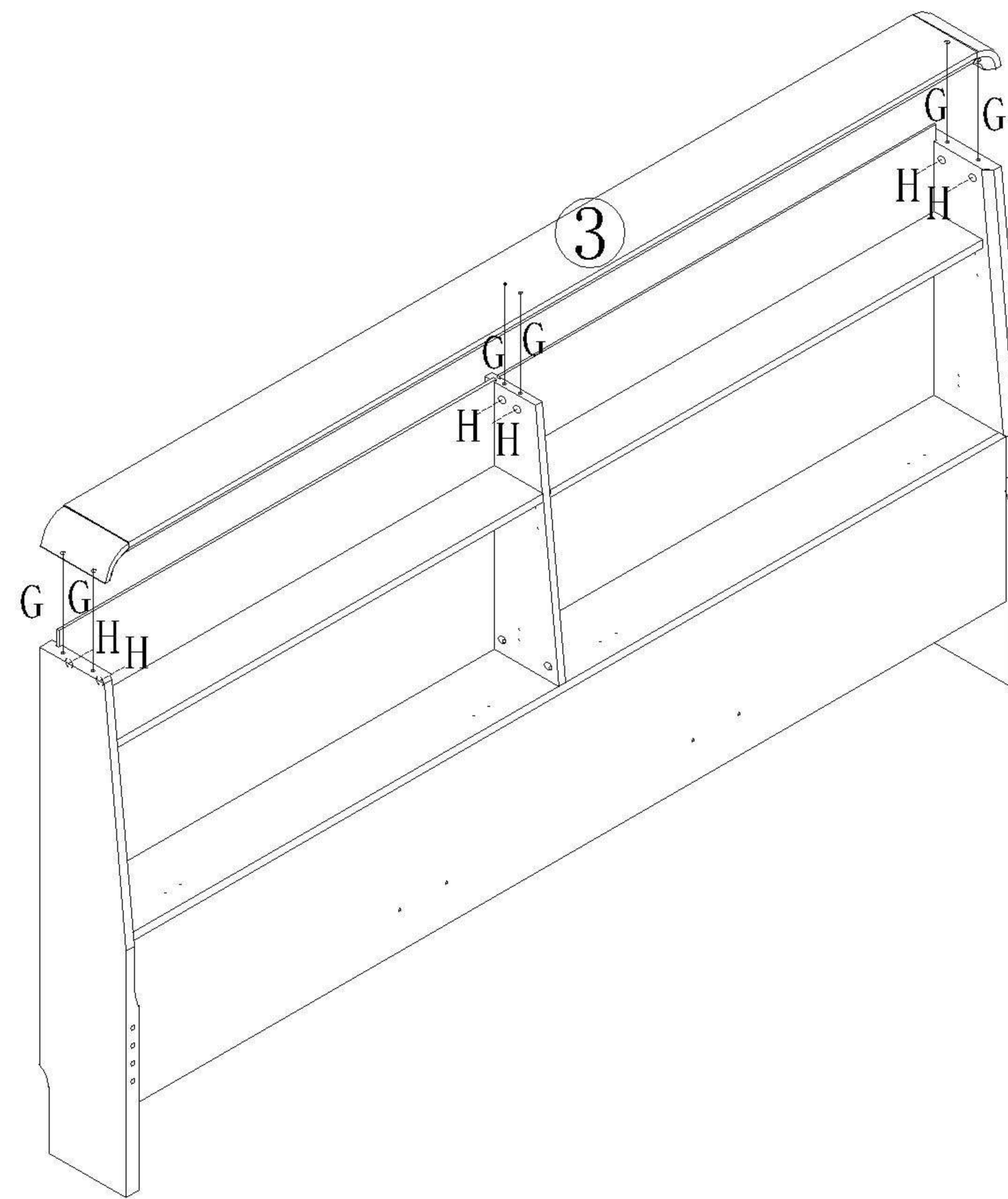
门铰Hinge



(G)*6



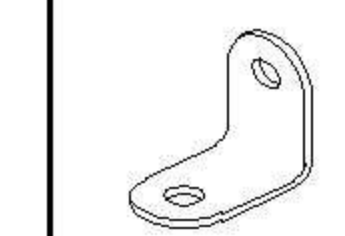
(H)*6



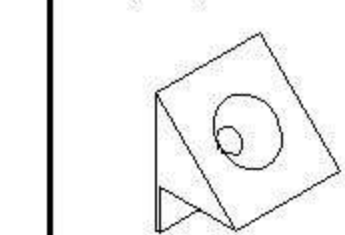
5



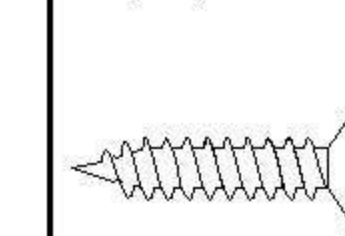
(L)*16



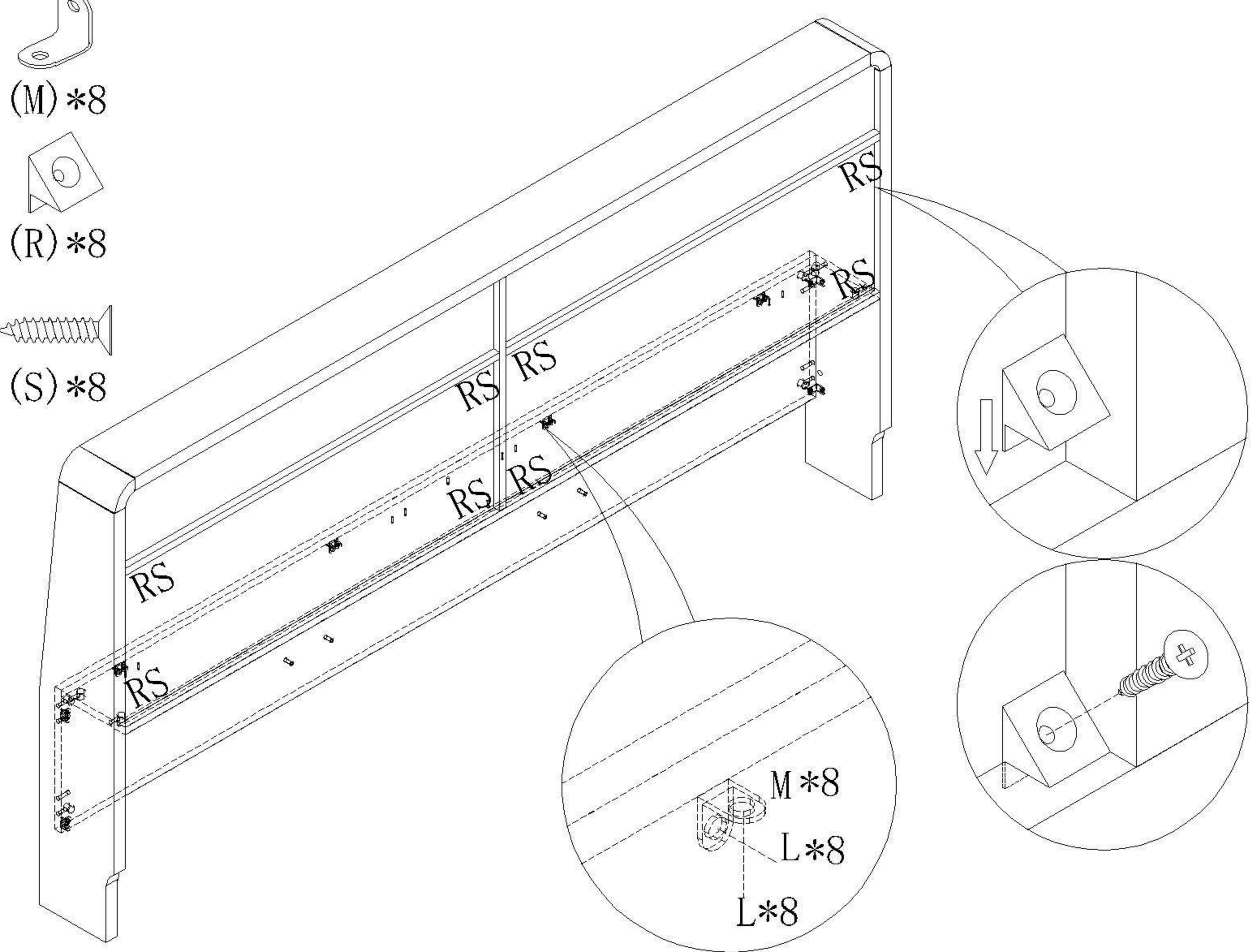
(M)*8



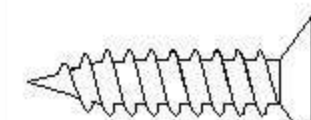
(R)*8



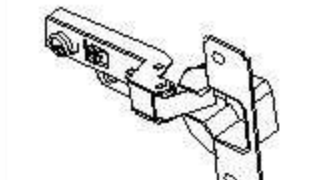
(S)*8



6



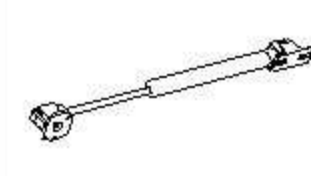
(L)*36



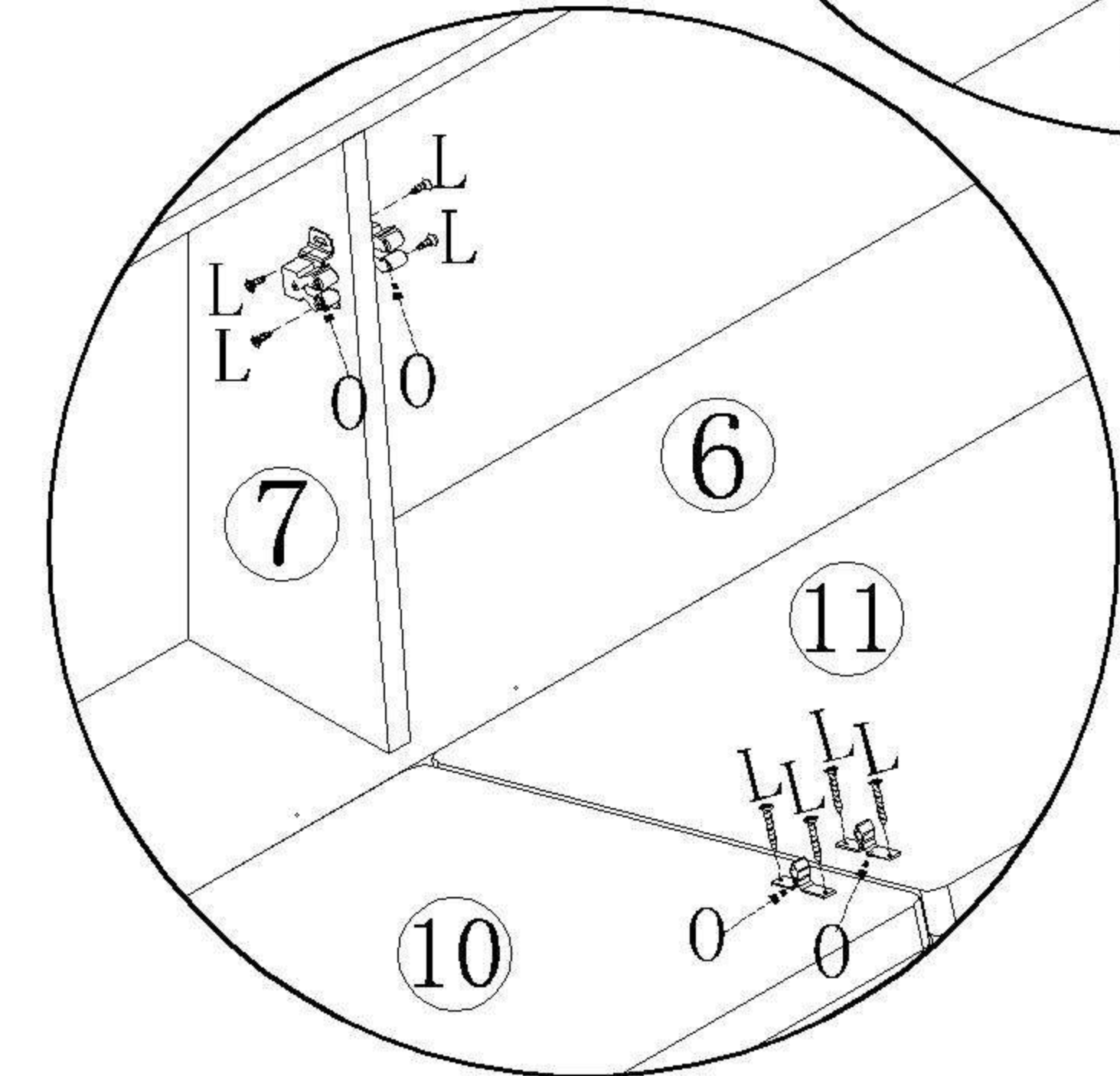
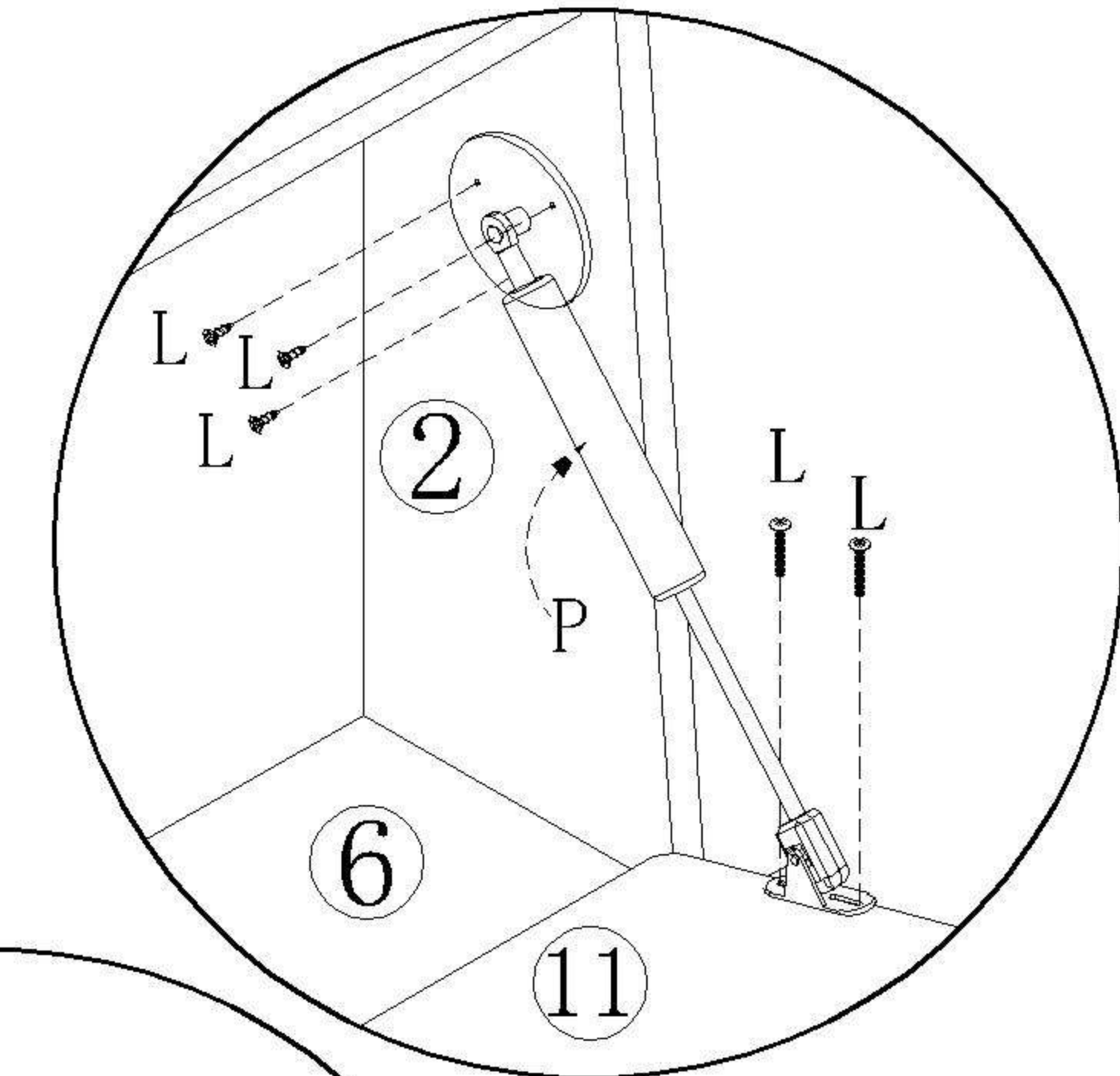
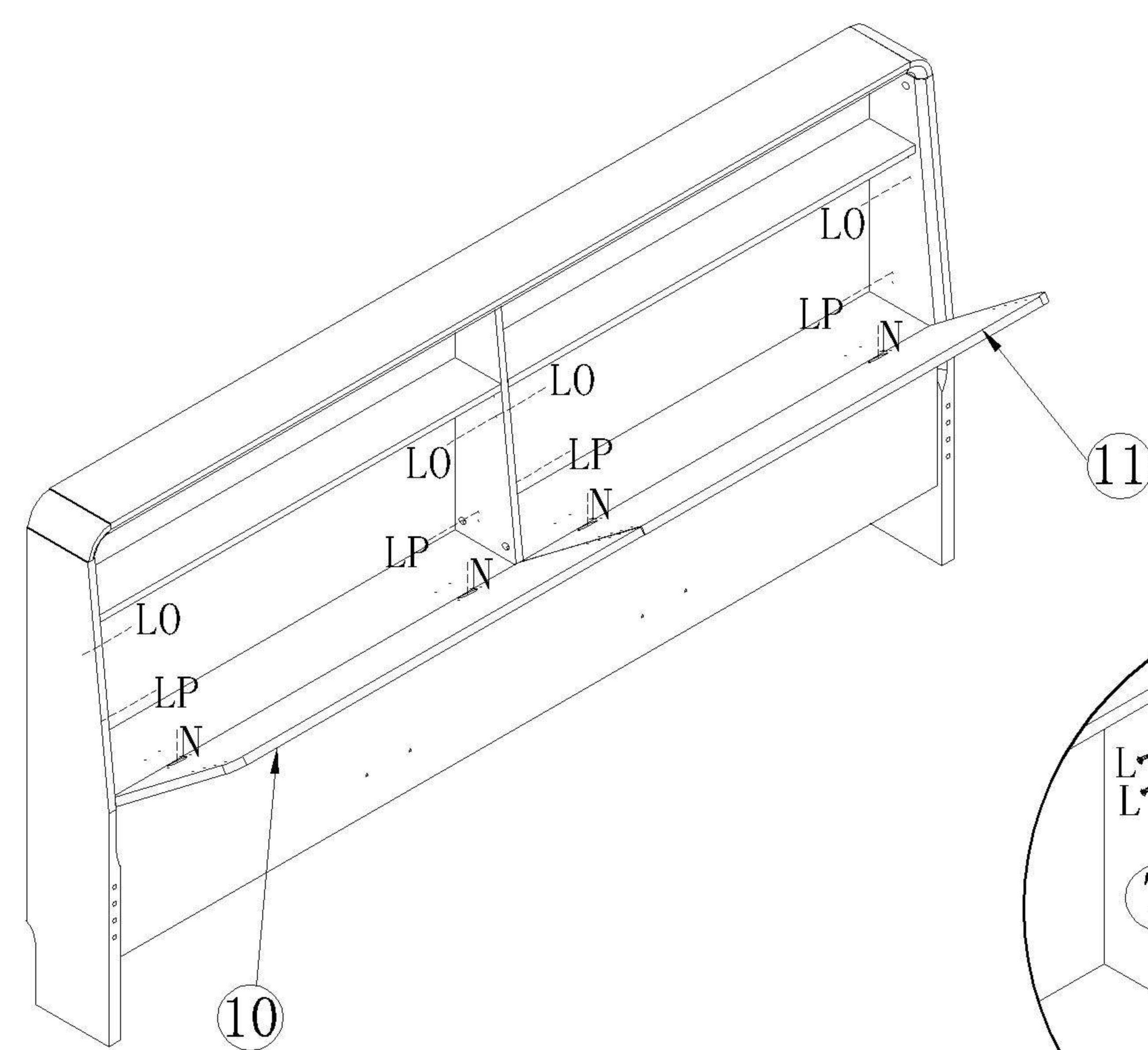
(N)*4



(O)*4



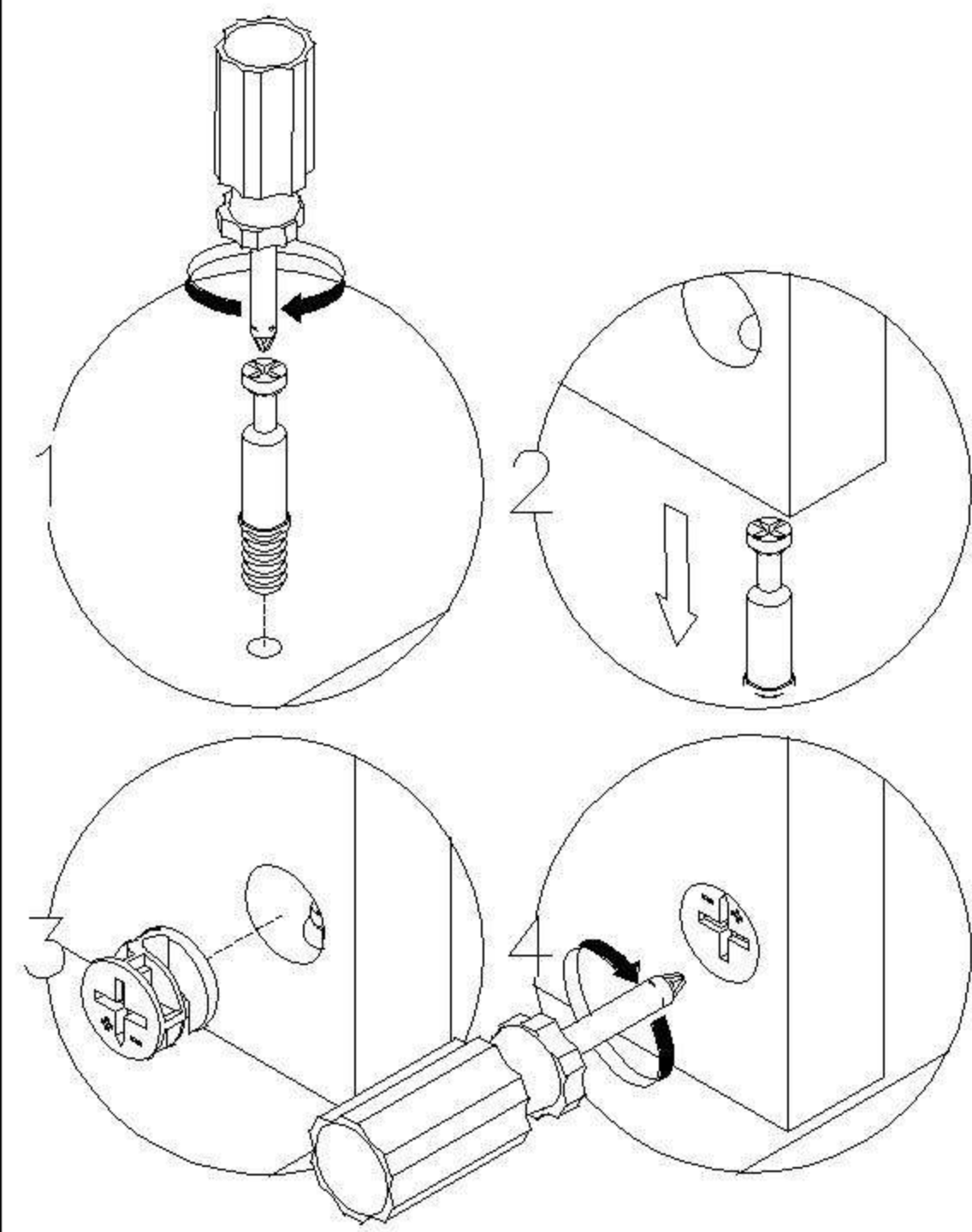
(P)*4



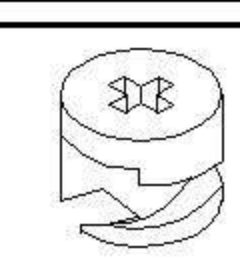
7

AU1A-A (1.8m)

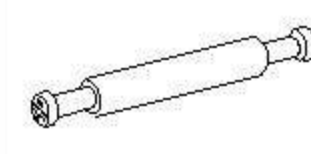
安装方法/Installation method



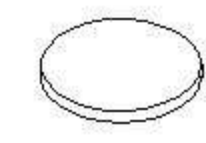
二合一 two-in-one



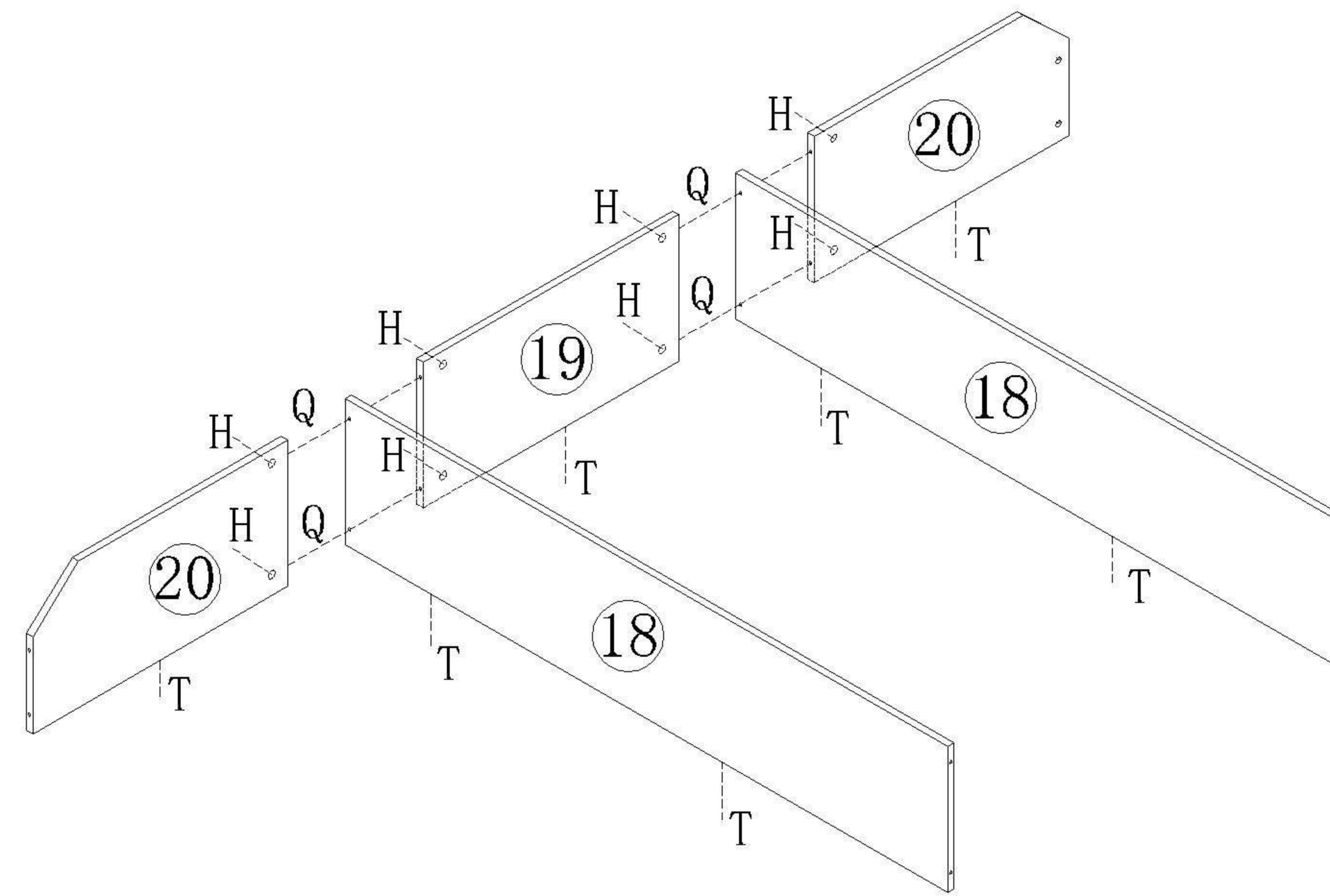
(H)*8



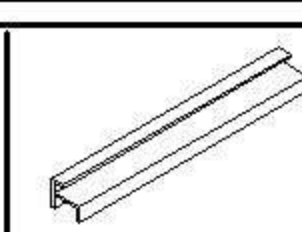
(Q)*4



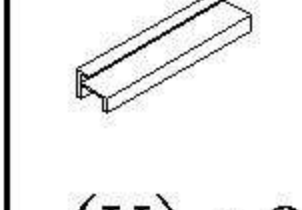
(T)*7



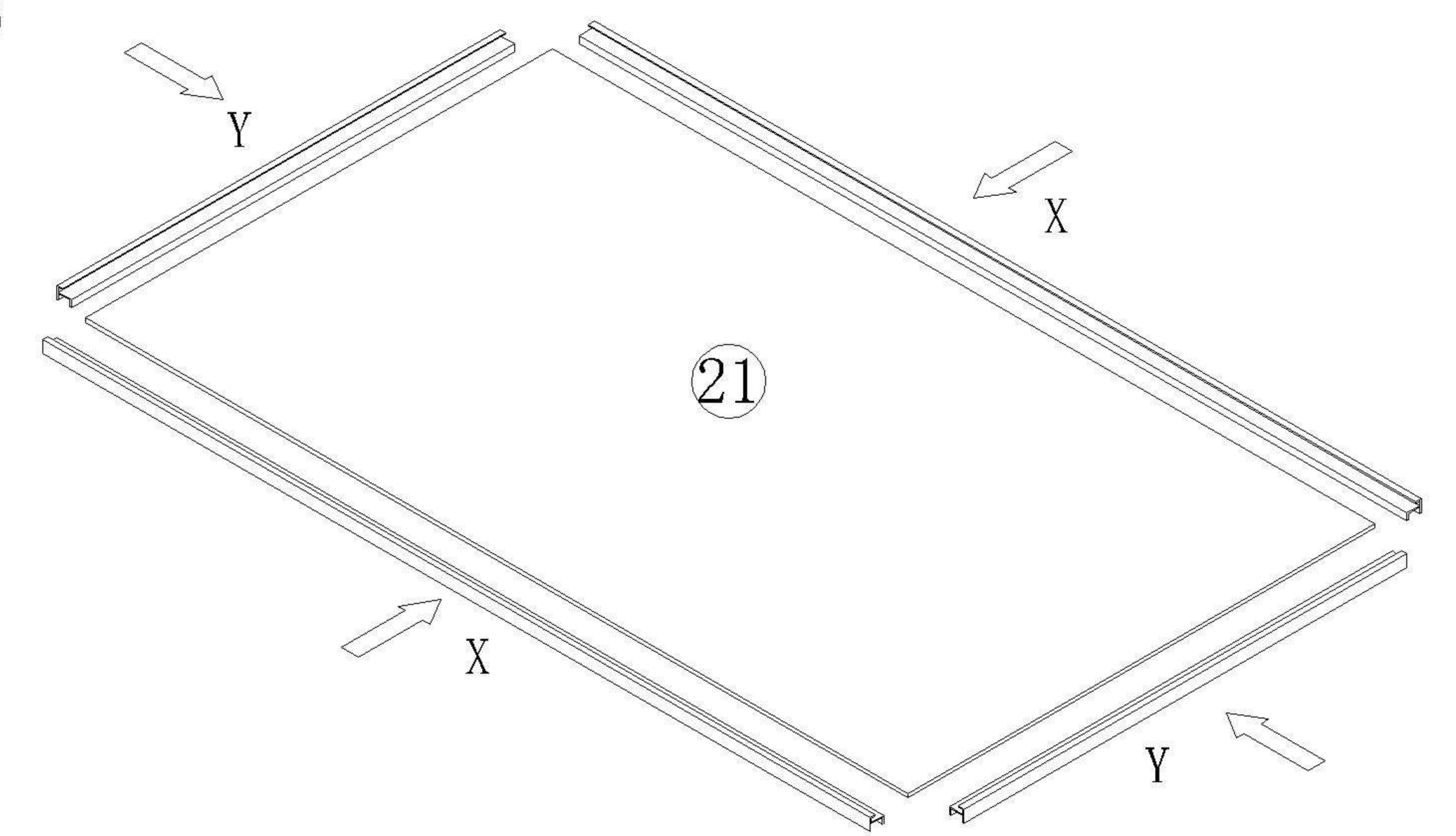
8



(X)*6

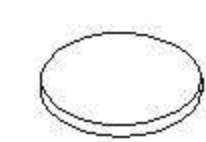


(Y)*6

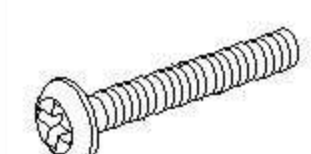


9

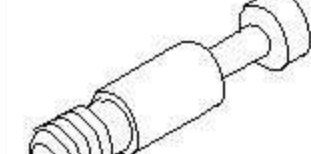
X3



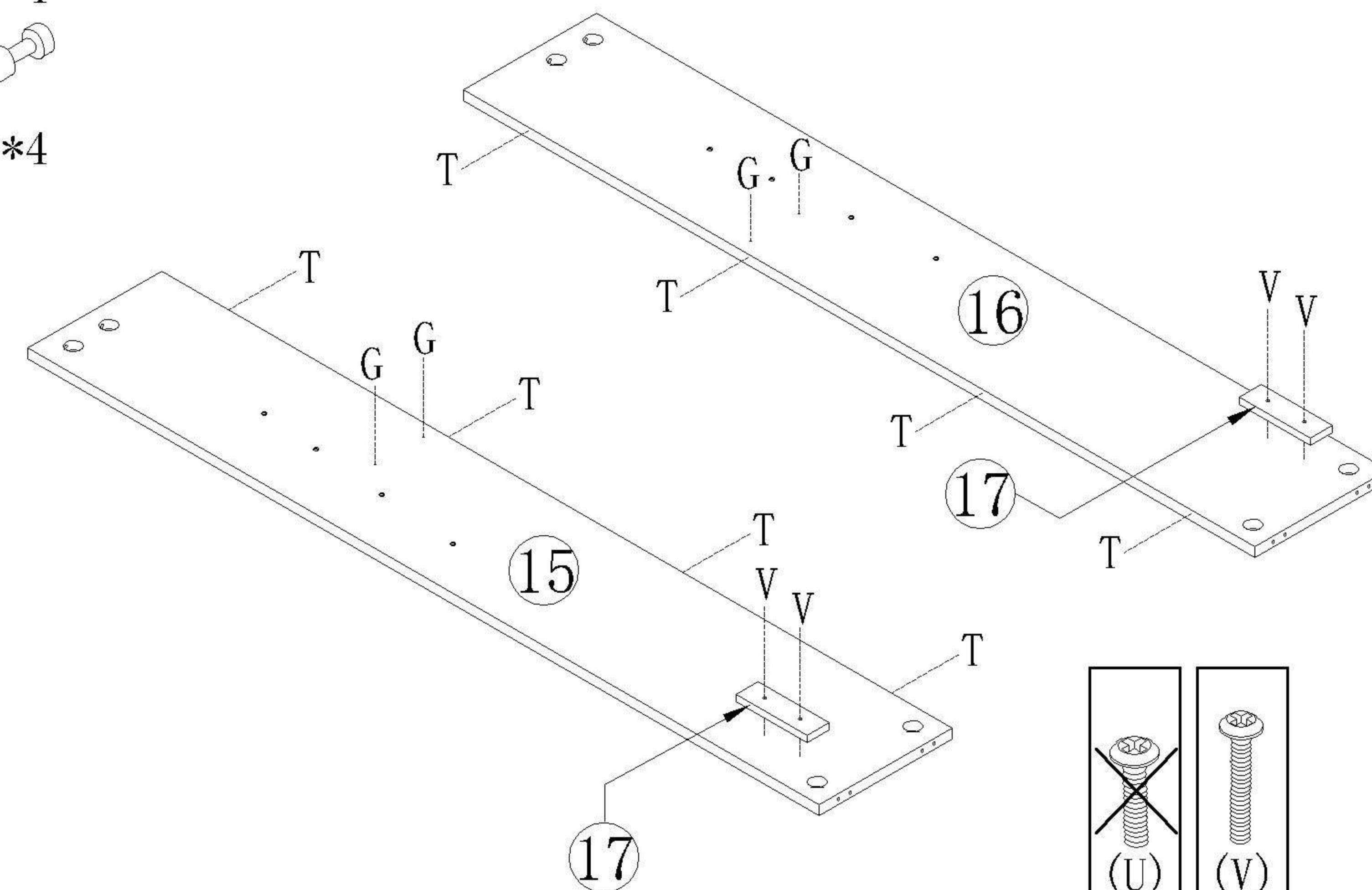
(T)*8



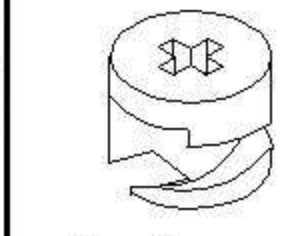
(V)*4



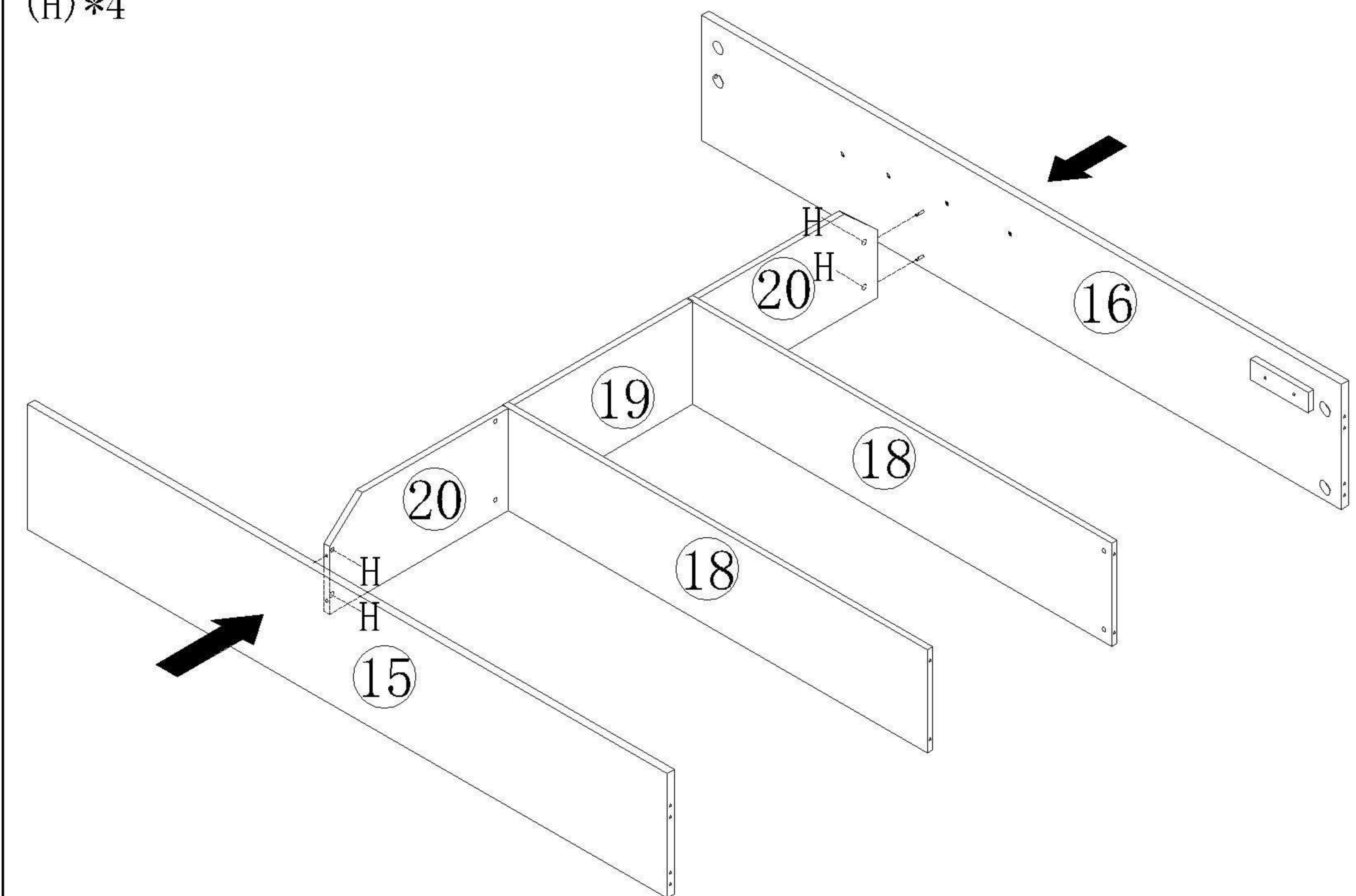
(G)*4



10



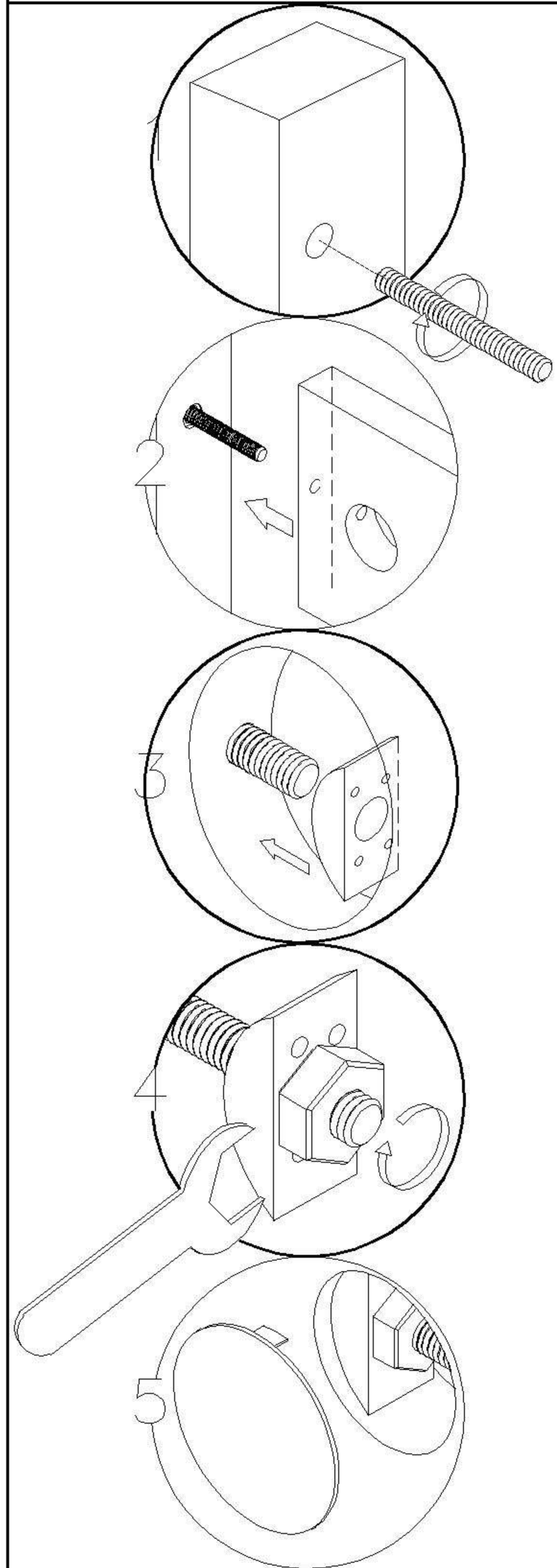
(H)*4



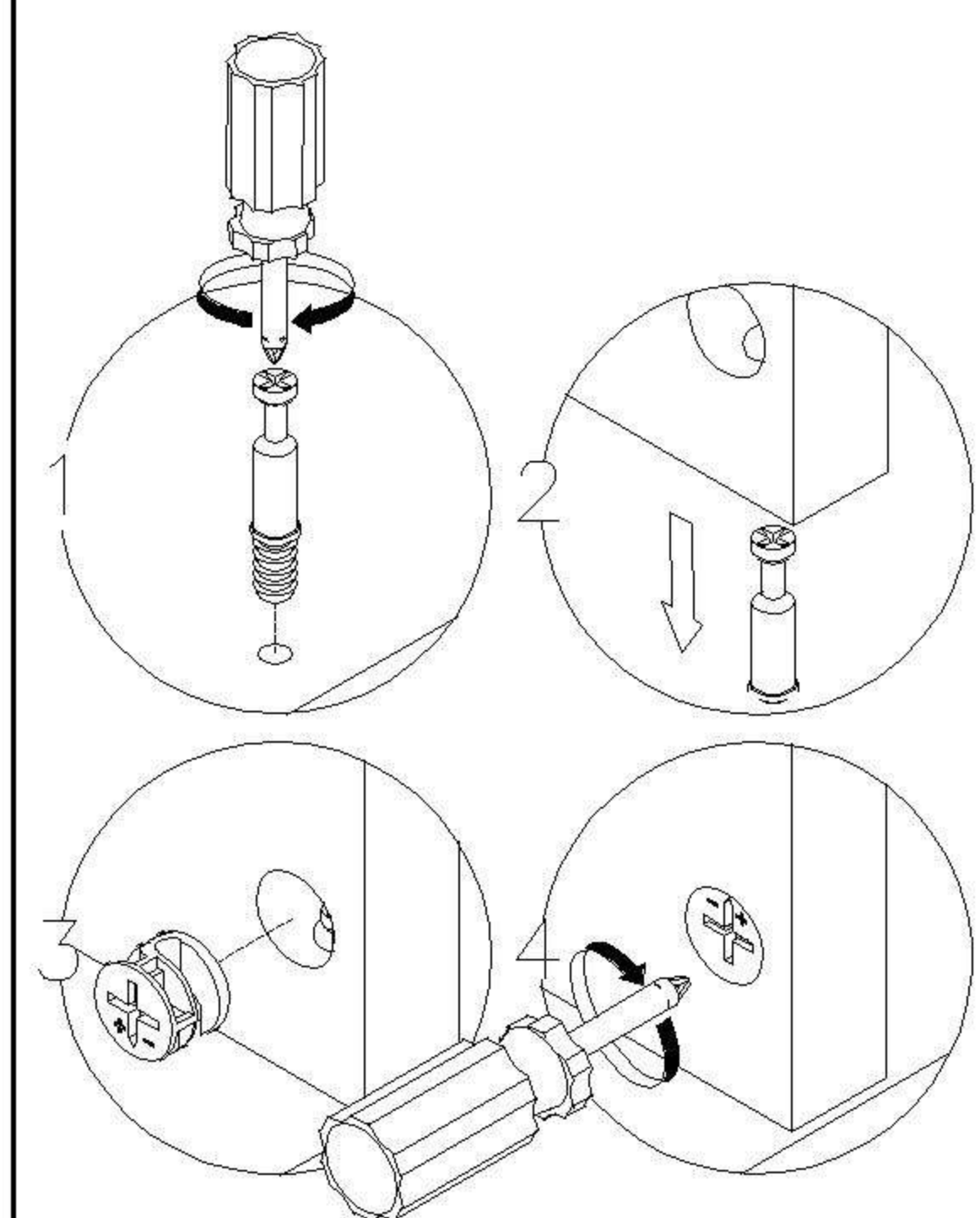
11

AU1A-A (1.8m)

安装方法/Installation method

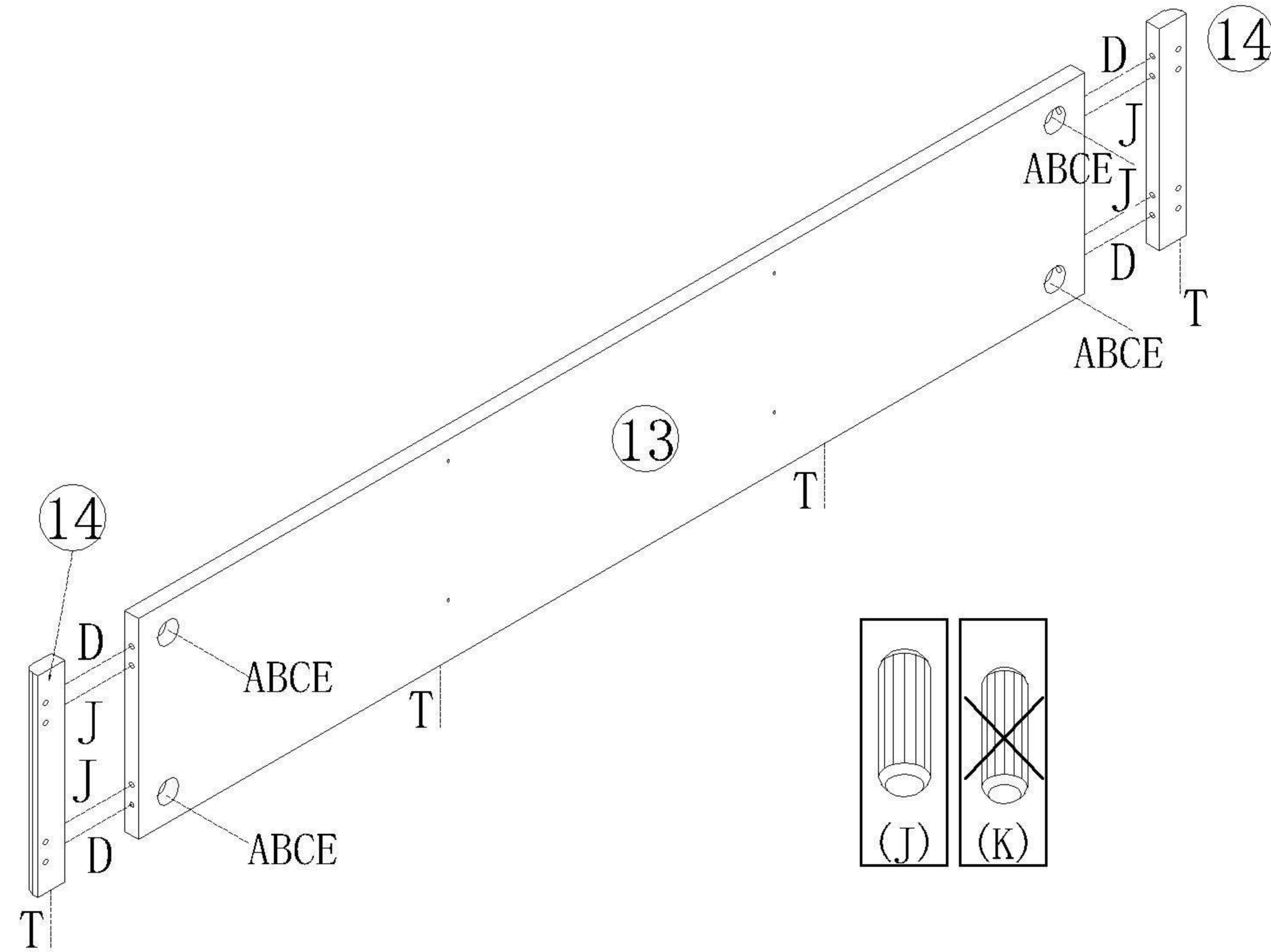


五合一/5 in 1

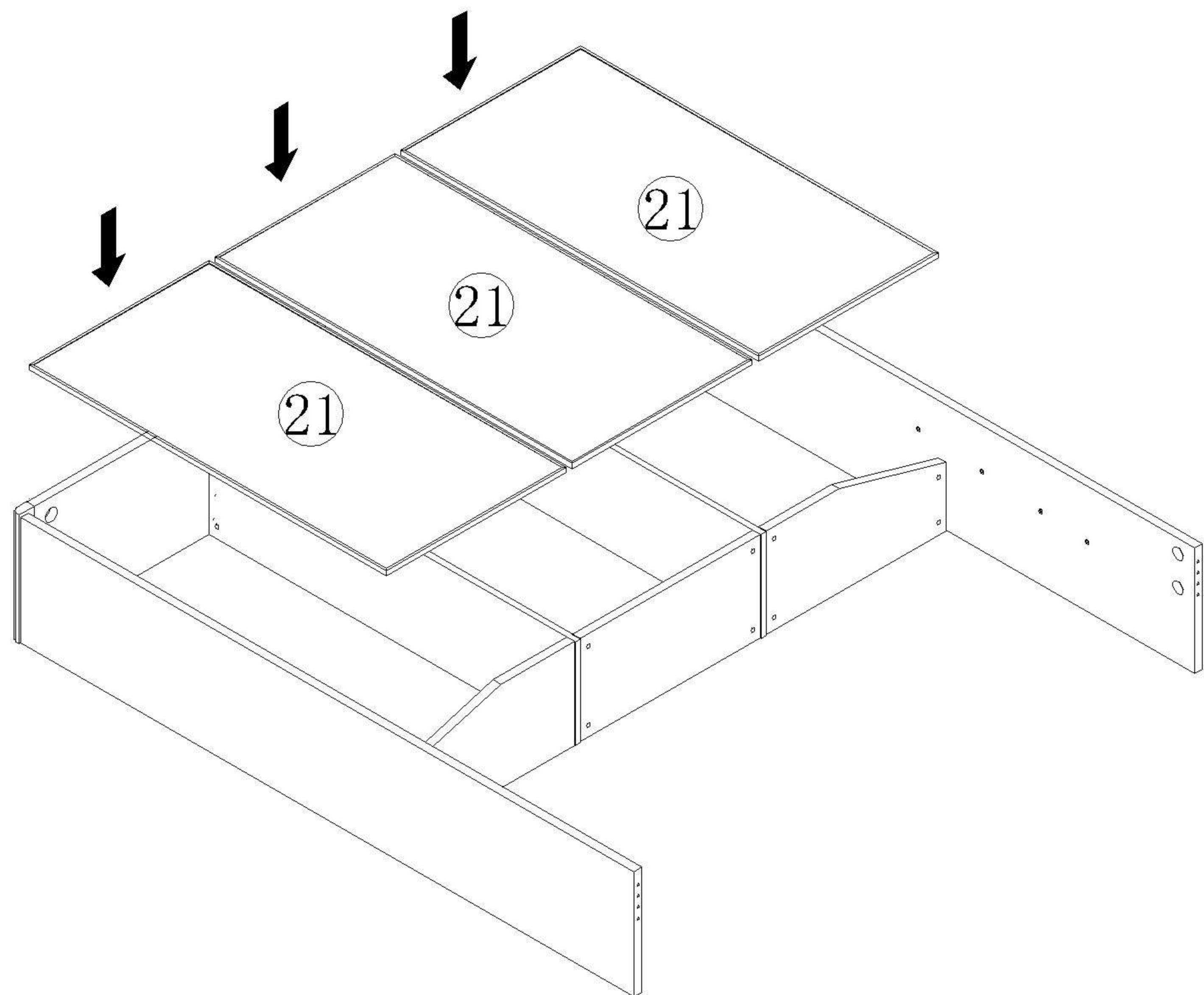
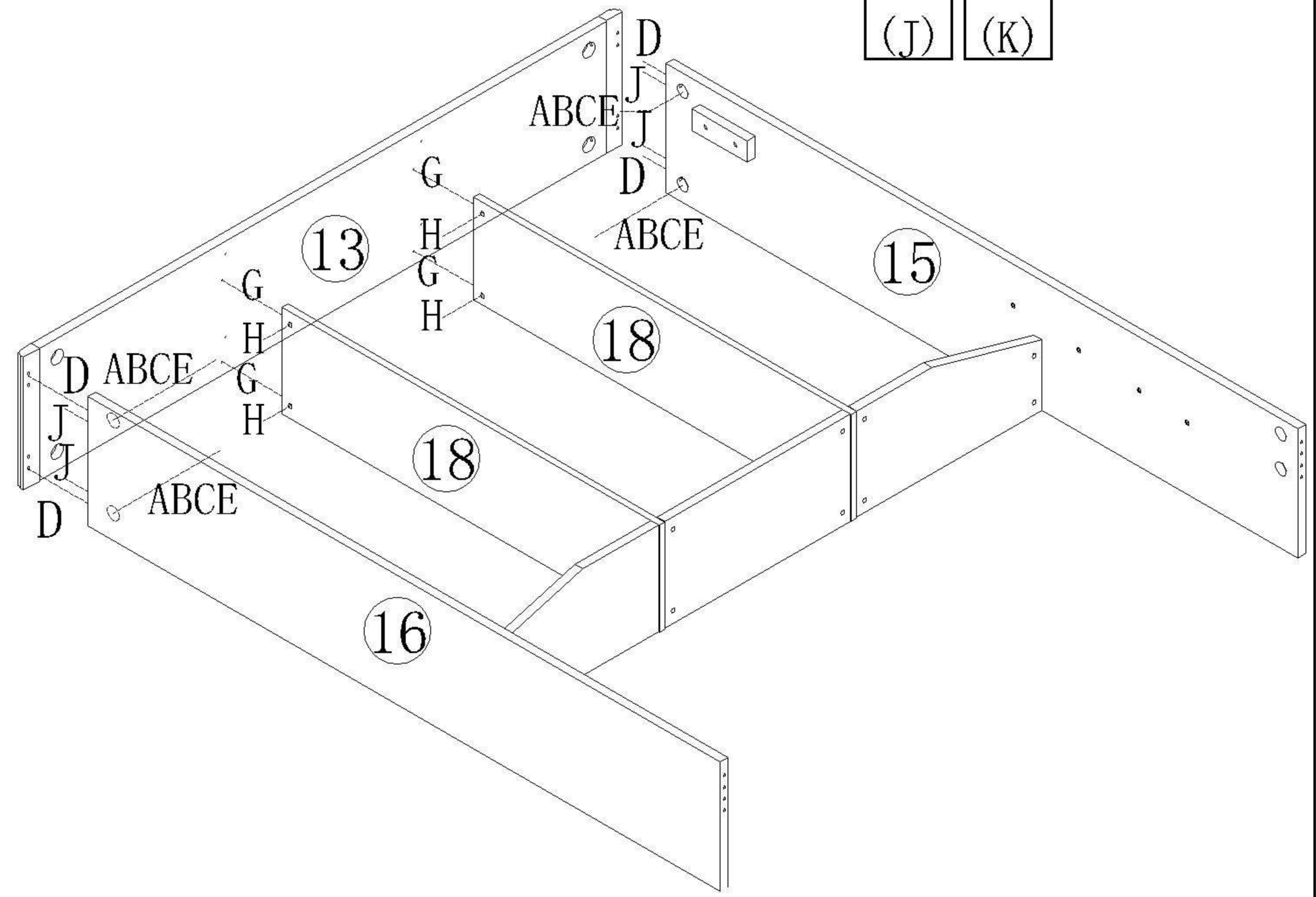


二合一 two-in-one

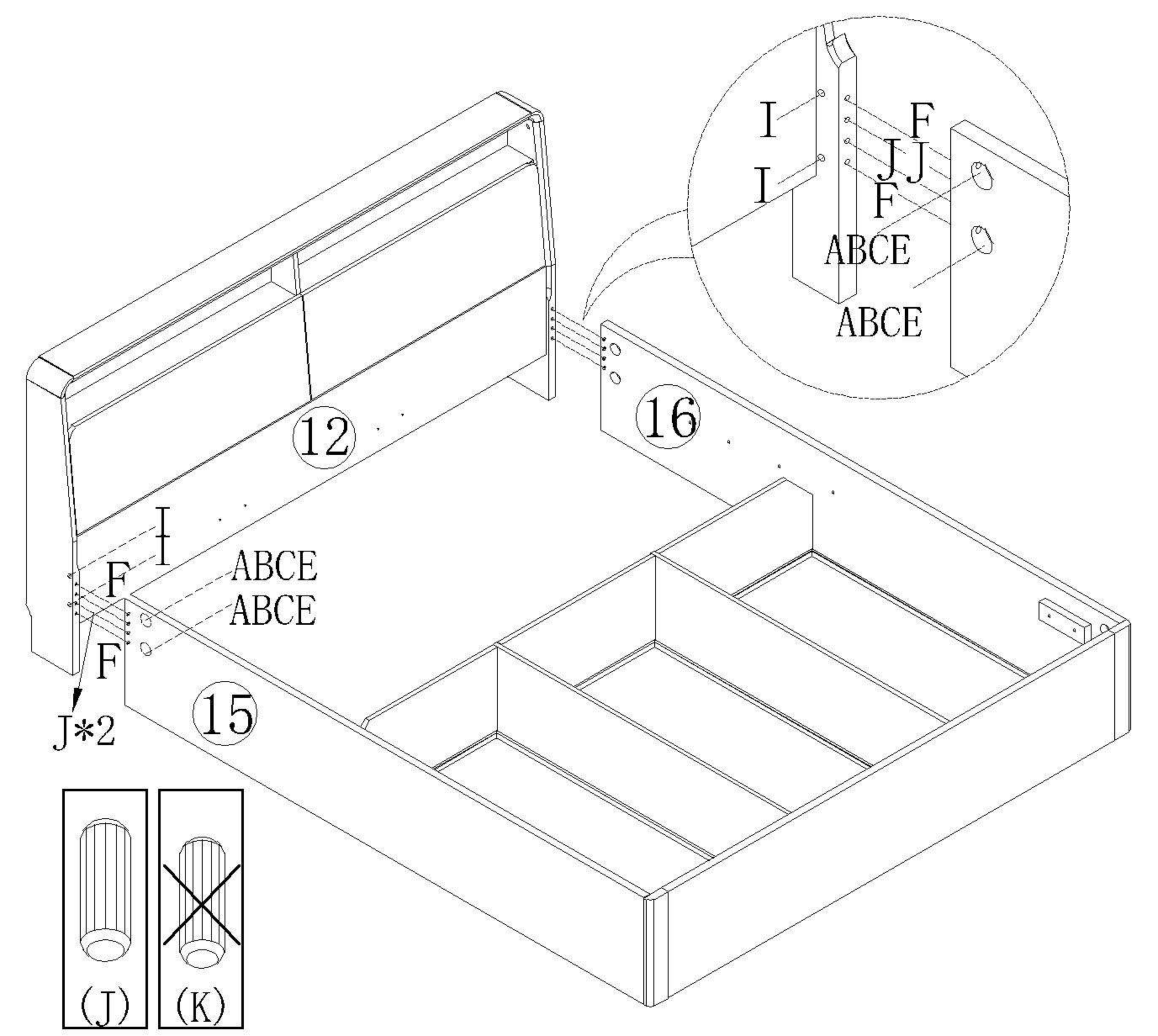
- (A)*1
- (B)*4
- (C)*4
- (D)*4
- (E)*4
- (J)*4
- (T)*4



- (A)*1
- (B)*4
- (C)*4
- (D)*4
- (E)*4
- (J)*4
- (G)*4
- (H)*4

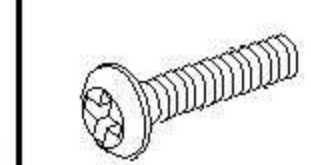


- (A)*1
- (B)*4
- (C)*4
- (E)*4
- (F)*4
- (J)*4
- (I)*4

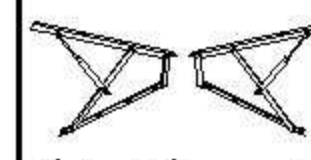


AU1A-A (1.8m)

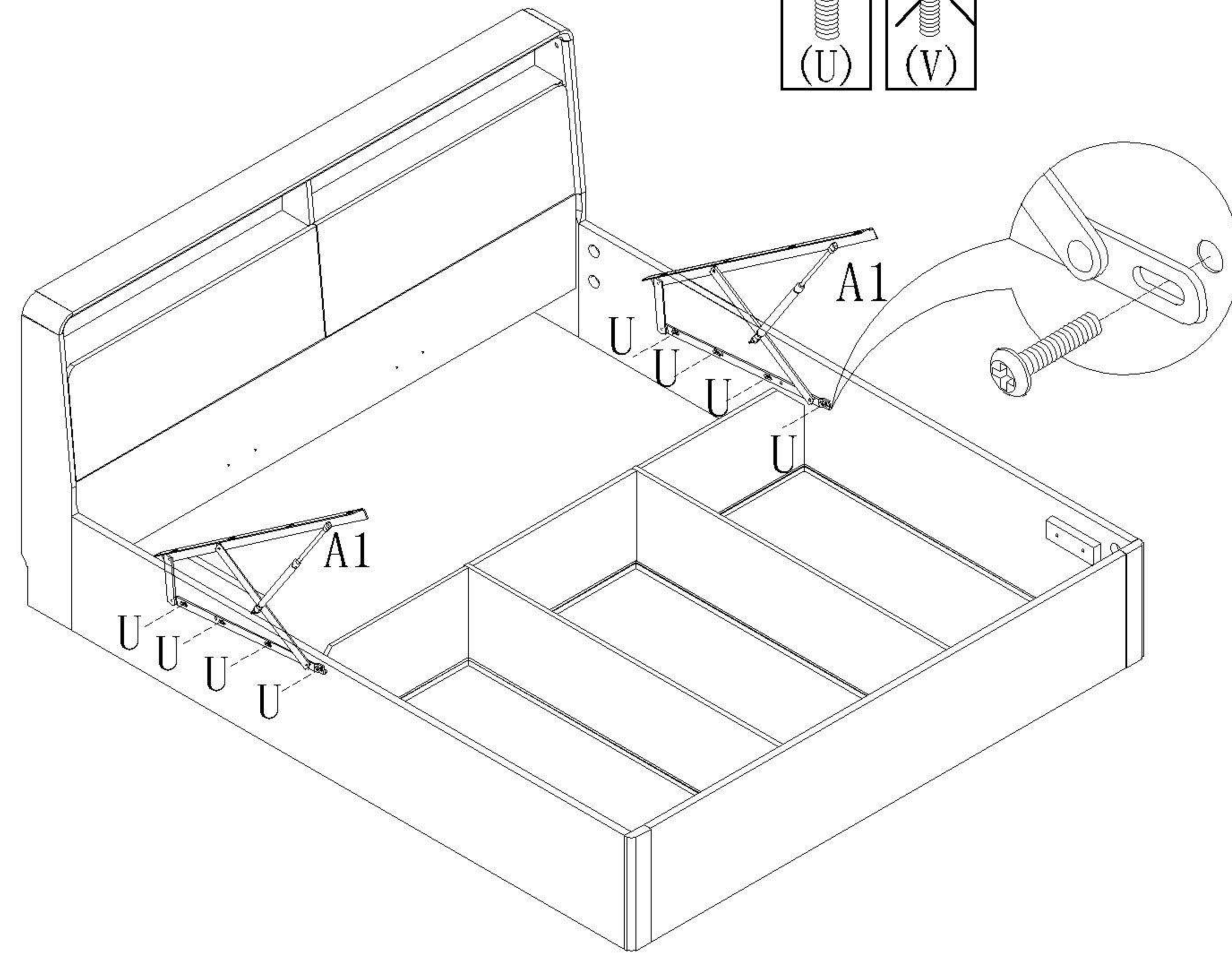
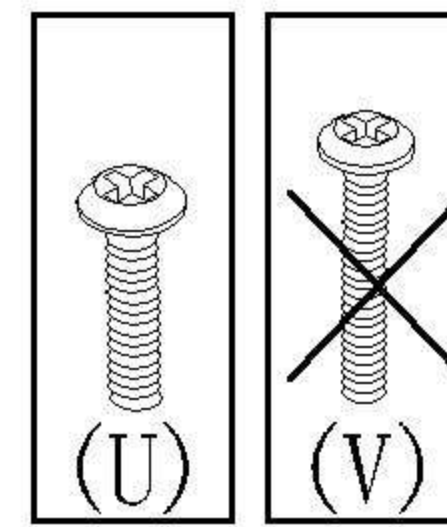
安装方法/Installation method



(U)*8



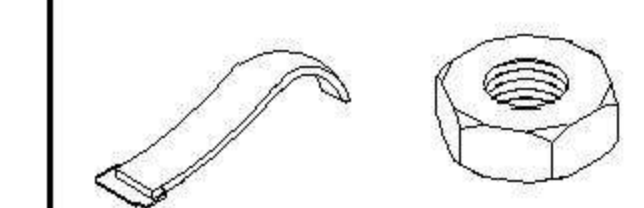
(A1)*1



16



(Z)*1 (C1)*6



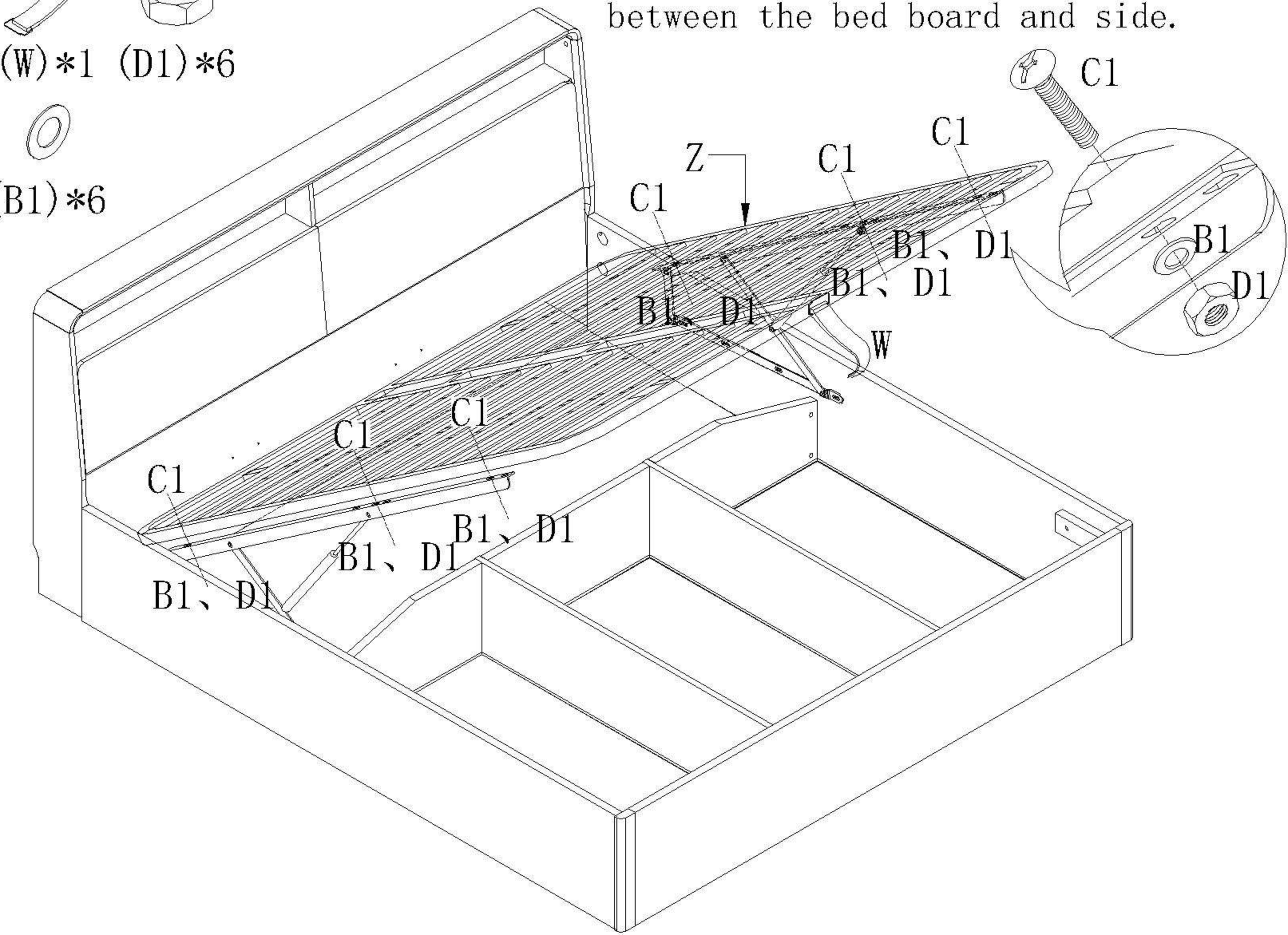
(W)*1 (D1)*6



(B1)*6

警告：为避免夹伤，请适当调整床板与床侧间隙，使缝隙少于5MM。

Warning: To avoid injury, Please adjust the gap that less than 5mm between the bed board and side.



18

19