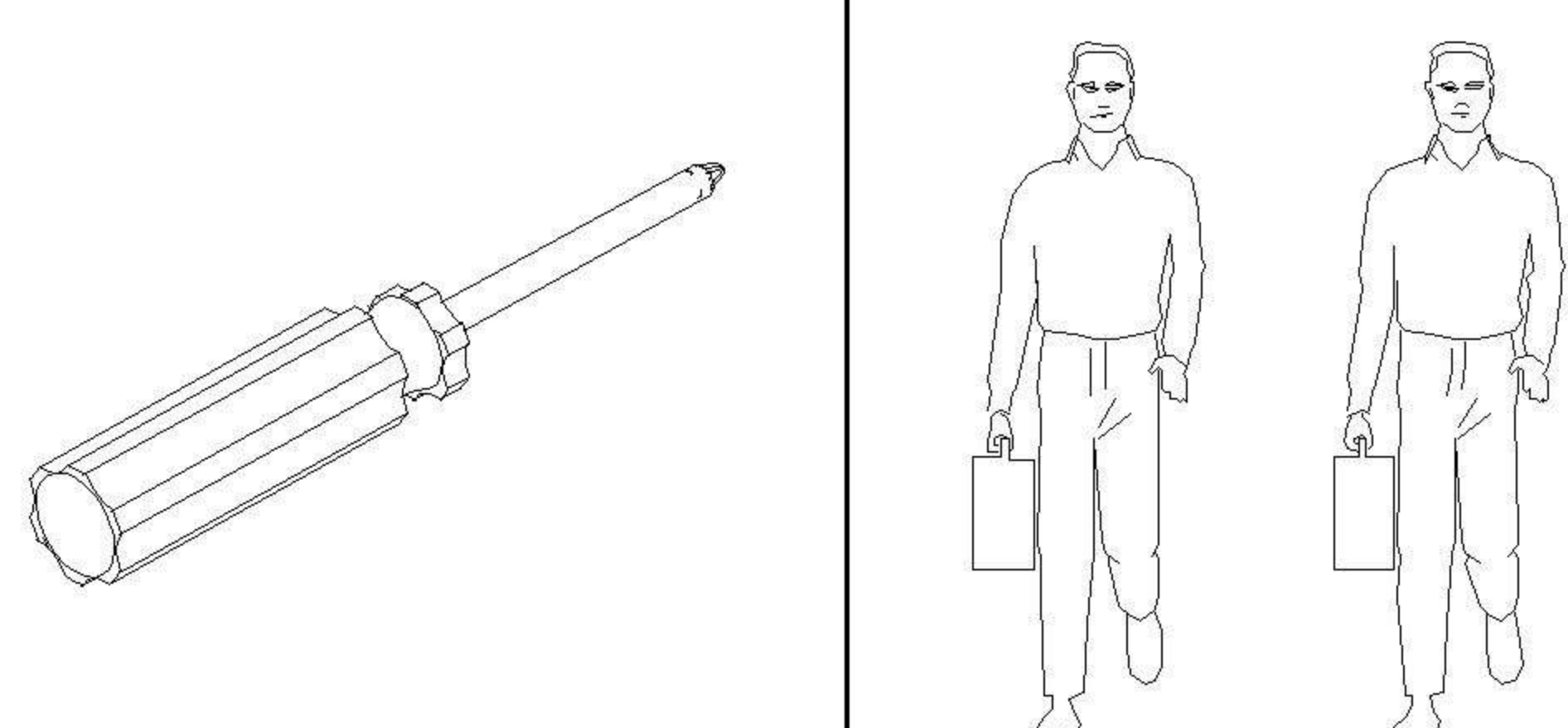


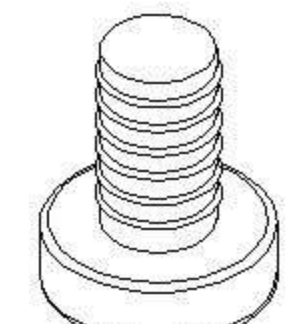
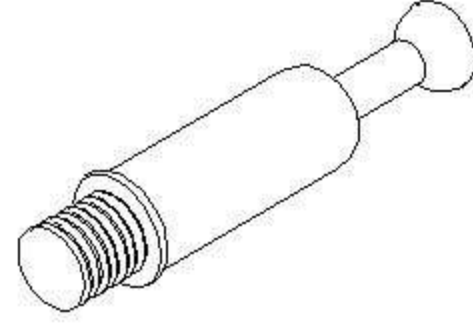
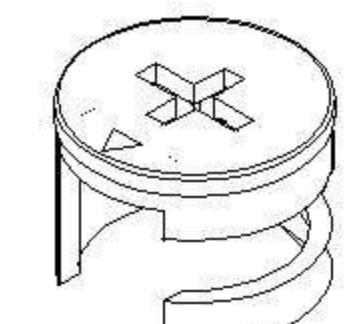
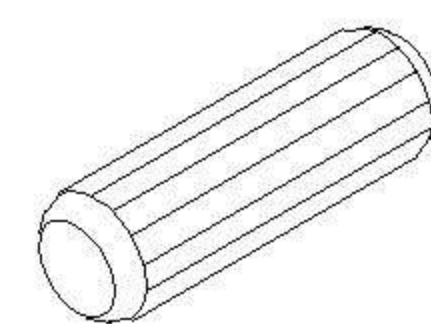
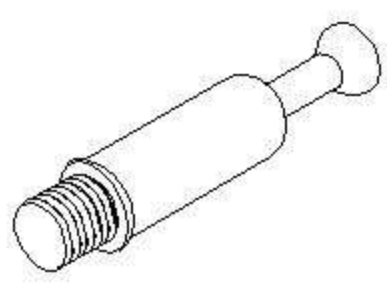
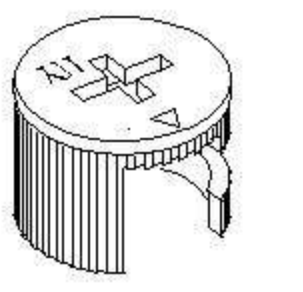
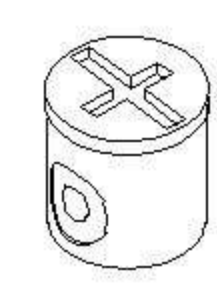
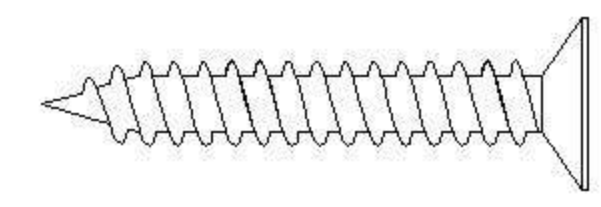
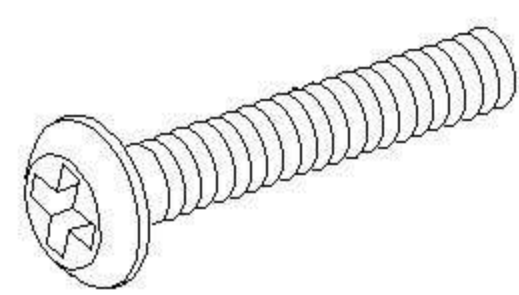
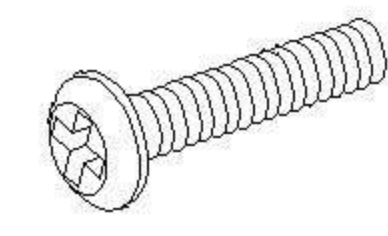
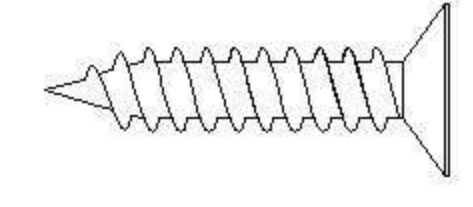
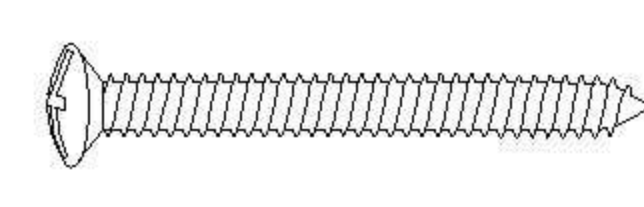
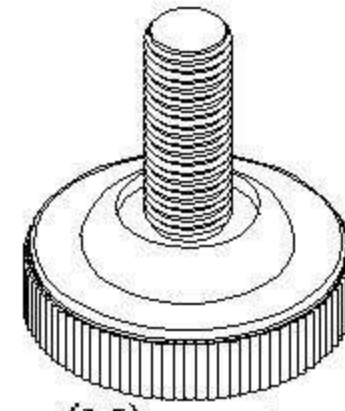
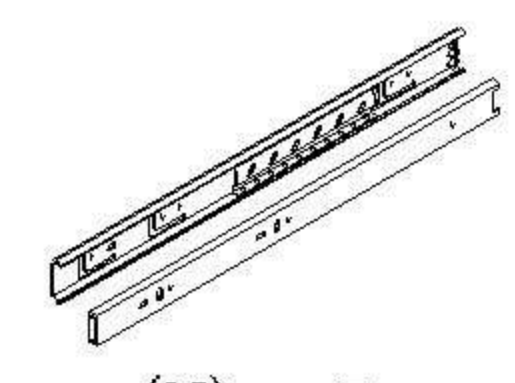
LINSY 林氏家居

五金表/Hardware list

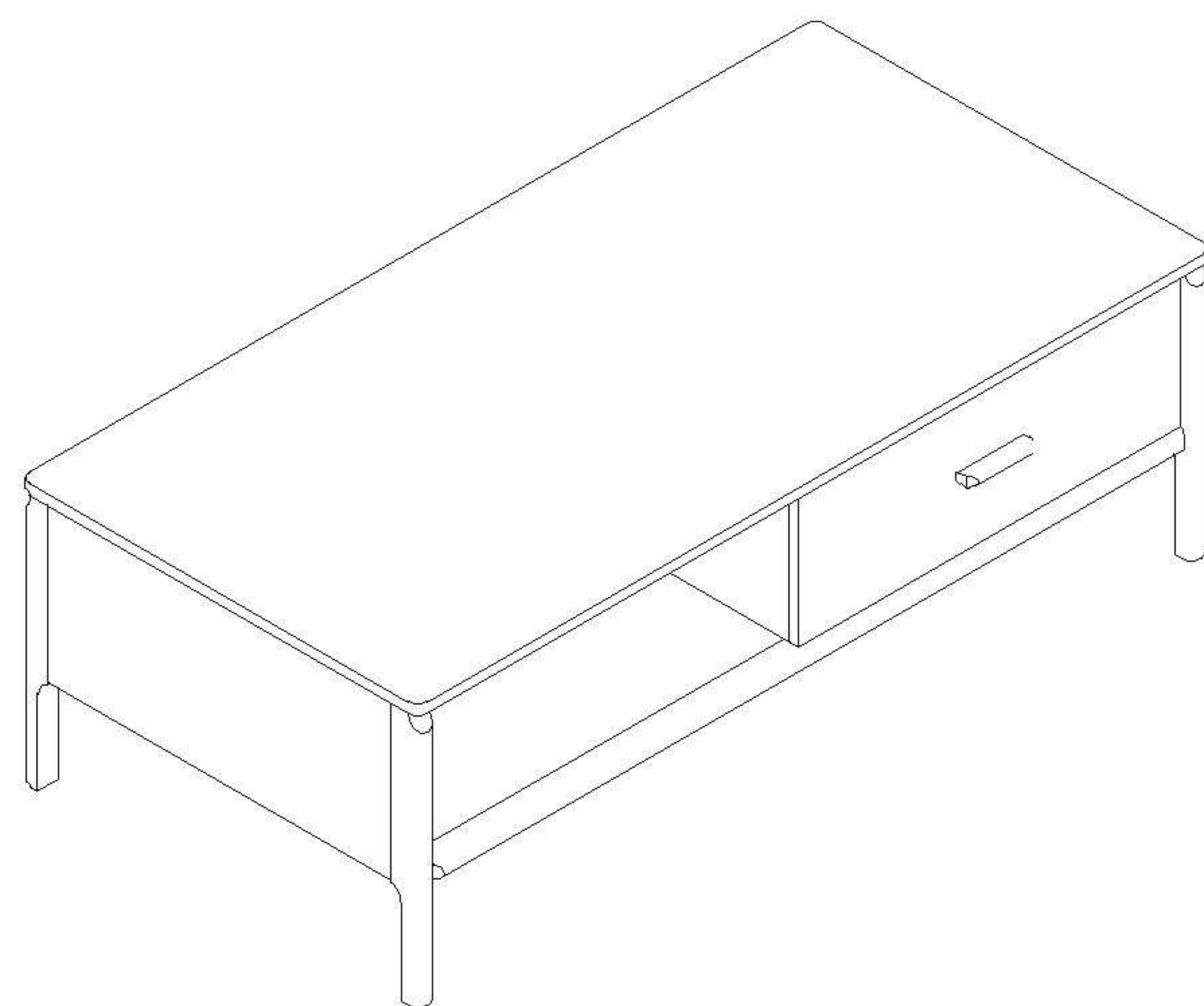
部件表/Parts List

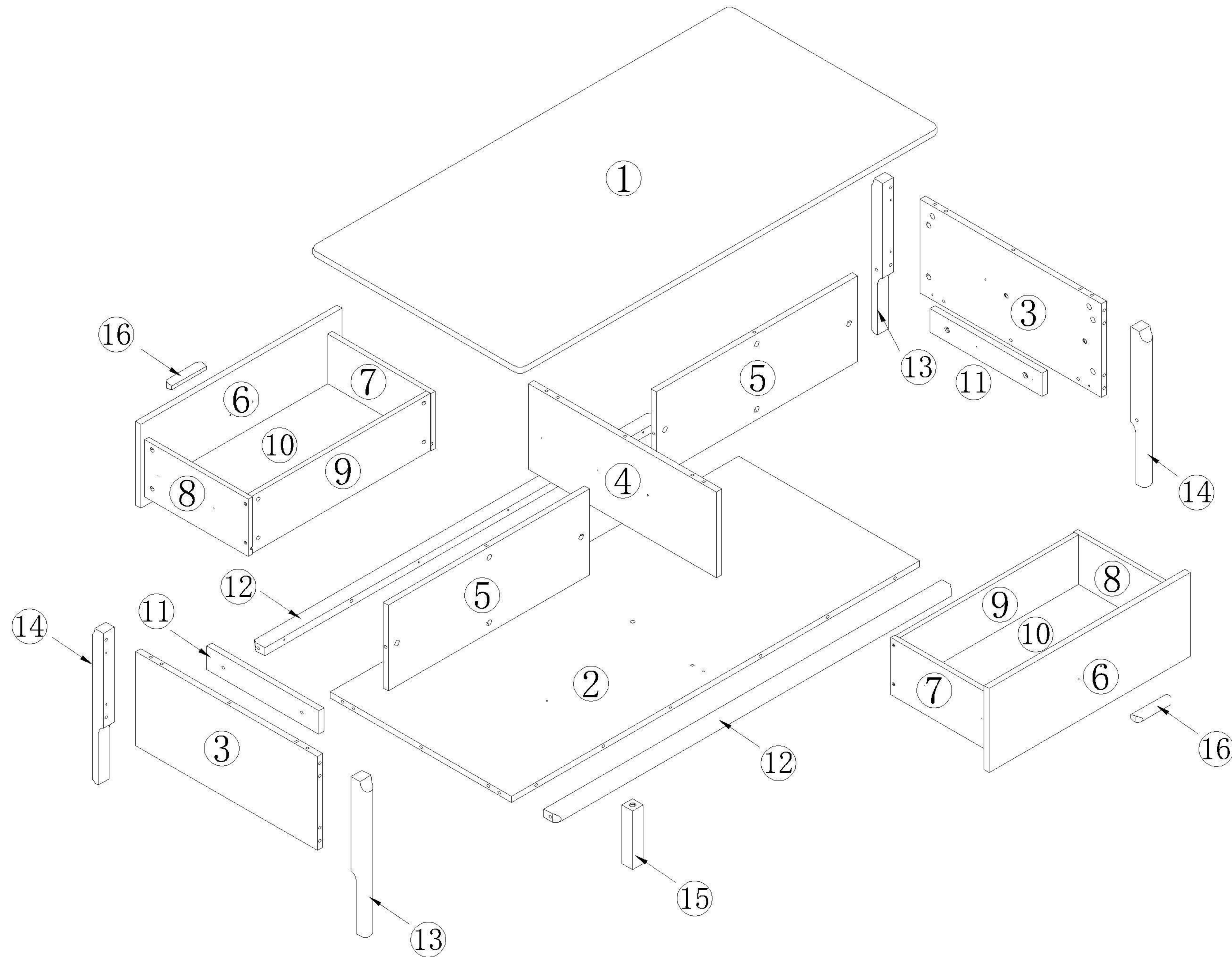
安装示意图/Assembly Instruction

产品名称 Model NO.	UM1L-B
产品规格 Specification	1199*616*402mm
安装工具 Tool	安装人数 Installer
	

 (A)* 4 透明防滑PVC胶塞 PVC rubber plug	 (B)* 42 二合一螺杆 2-in-1-screw	 (C)* 42 大三合一锁饼 Three-in-one large lock	 (D)* 35 木榫Ø8x30mm wood tenon
 (E)* 8 小二合一杆 small two-in-one rod	 (F)* 8 小三合一锁饼 small three-in-one lock	 (G)* 8 塑料螺母 Plastic Nut	 (H)* 8 自攻螺丝M4x40mm Self-tapping screw
 (I)* 1 斜边十字螺杆-M8x35 bevel cross screw	 (J)* 4 斜边十字螺杆-M6x20 bevel cross screw	 (K)* 25 自攻螺丝M3.5x12mm Self-tapping screw	 (L)* 4 自攻大扁M4*30mm Self tapping flat screw
 (M)* 1 调节五金脚-M8x30 Adjusting foot	 (N)* 2 三节滚珠导轨-10" three-section ball rail		

编号NO.	名称Name	规格 (mm) Specification	数量QTY	材质Material
①	面板Top panel	1199*600*15	1	刨花板 Particle board
②	底板Bottom board	1165*517*15	1	刨花板 Particle board
③	外侧板Sideboard	518*232*15	2	刨花板 Particle board
④	中侧板Middle side board	536*212*15	1	刨花板 Particle board
⑤	中隔板Middle clapboard	575*212*15	2	刨花板 Particle board
⑥	抽屉面板 Drawer's top panel	574*208*15	2	刨花板 Particle board
⑦	抽屉左侧板 Drawer side board(L)	295*142*12	2	刨花板 Particle board
⑧	抽屉右侧板 Drawer side board(R)	295*142*12	2	刨花板 Particle board
⑨	抽屉后板Drawer Back panel	510*142*12	2	刨花板 Particle board
⑩	抽屉底板Drawer Bottom panel	520*291*5	2	纤维板 Fiberboard
⑪	导轨垫条Rail cushion strip	320*58*15	2	刨花板 Particle board
⑫	前拉条Front brace	1135*40*20	2	橡胶木 Rubber wood
⑬	左前脚Front foot(L)	382*31*40	2	橡胶木 Rubber wood
⑭	右前脚Front foot(R)	382*31*40	2	橡胶木 Rubber wood
⑮	中脚Middle foot	145*30*30	1	橡胶木 Rubber wood
⑯	拉手Handle	100*15*25	2	橡胶木 Rubber wood





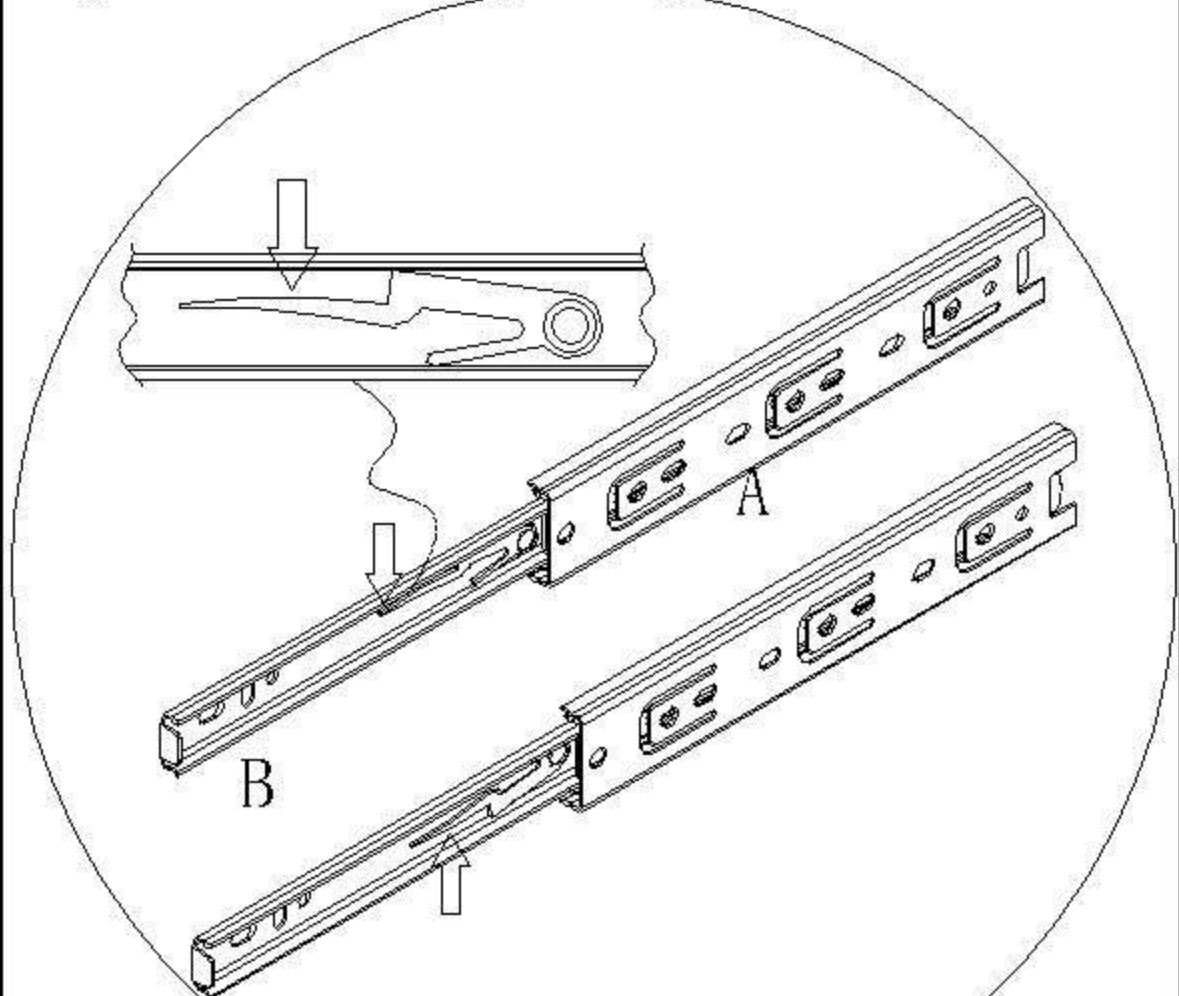
编号NO.	名称Name
①	面板Top panel
②	底板Bottom board
③	外侧板Sideboard
④	中侧板Middle side board
⑤	中隔板Middle claspboard
⑥	抽屉面板 Drawer's top panel
⑦	抽屉左侧板 Drawer side board(L)
⑧	抽屉右侧板 Drawer side board(R)
⑨	抽屉后板Drawer Back panel
⑩	抽屉底板Drawer Bottom panel
⑪	导轨垫条Rail cushion strip
⑫	前拉条Front brace
⑬	左前脚Front foot(L)
⑭	右前脚Front foot(R)
⑮	中脚Middle foot
⑯	拉手Handle

UM1L-B

安装方法/
Installation method

阀门开关(下压为开)
Valve switch
(press down to open)

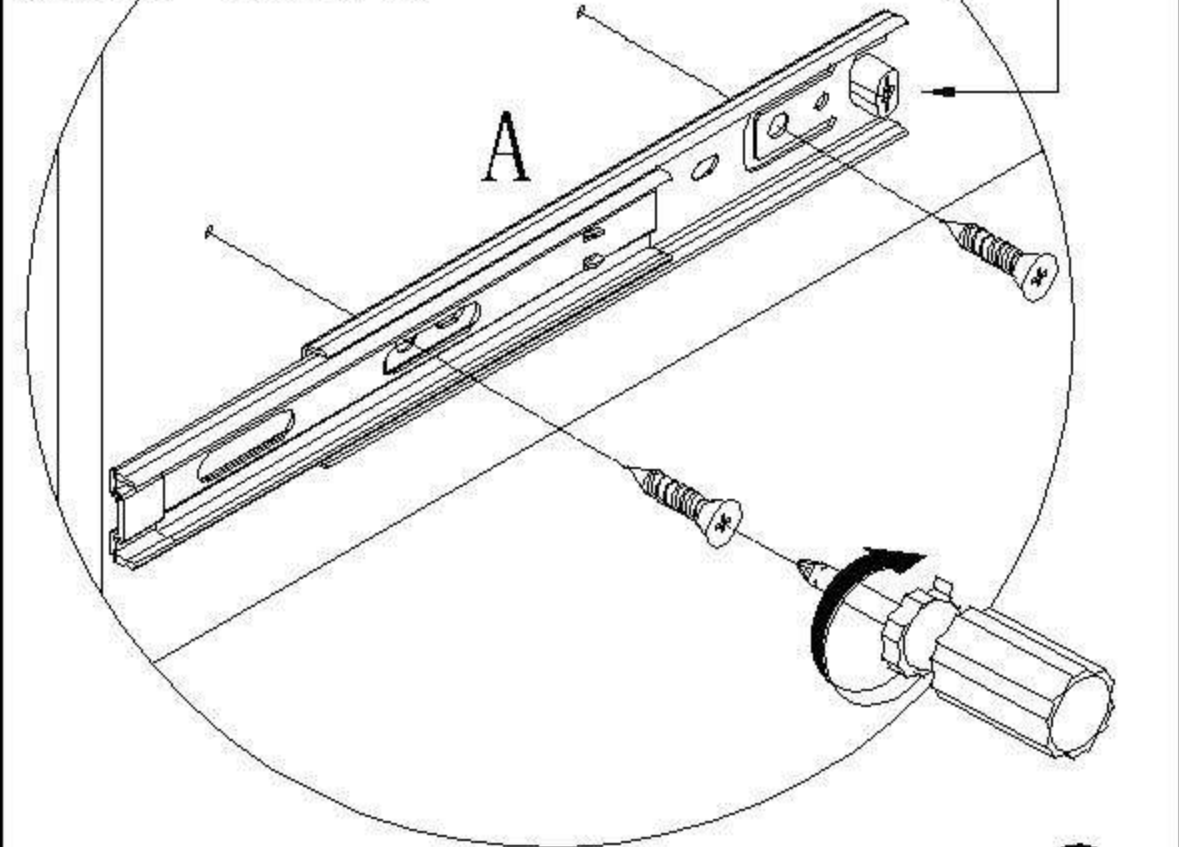
1



注: 先将A与B拆下来
Note: remove a and B first

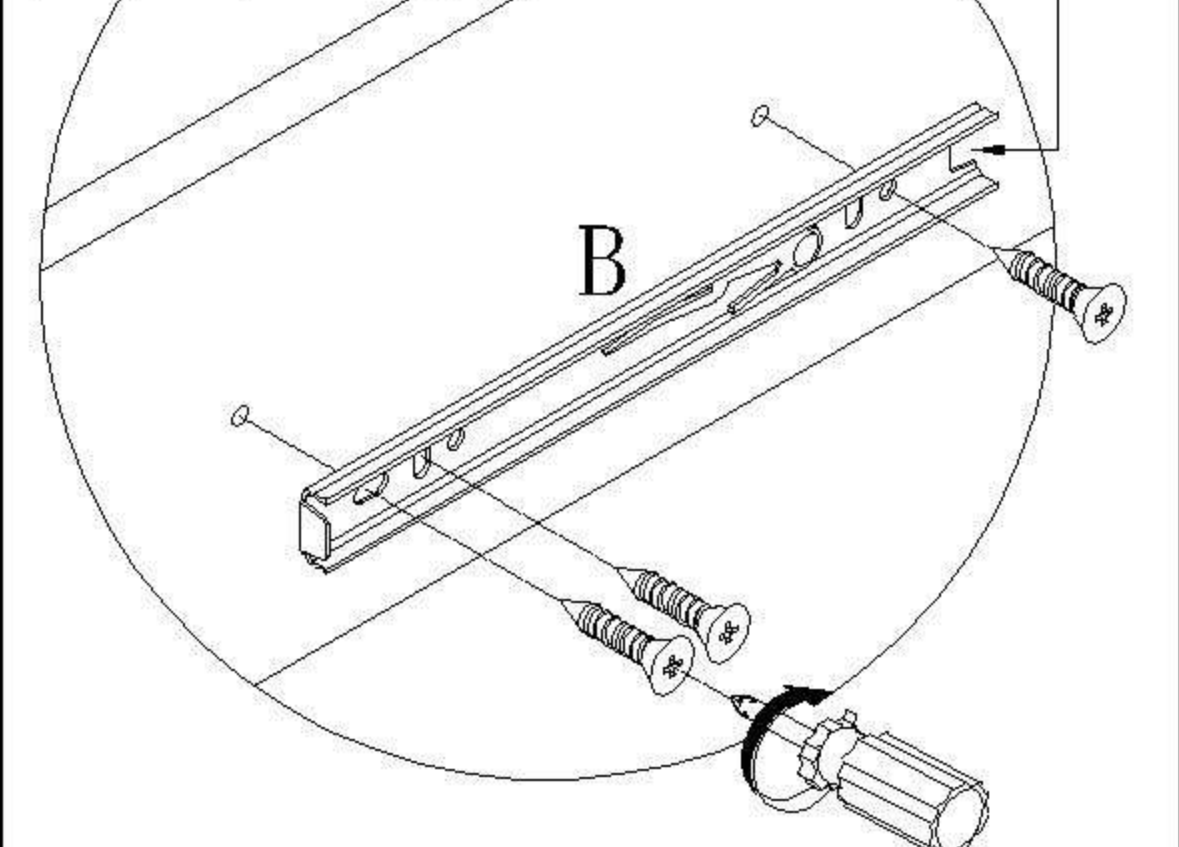
侧板
side board

2



抽屉侧板
sideboard
of the drawer

3

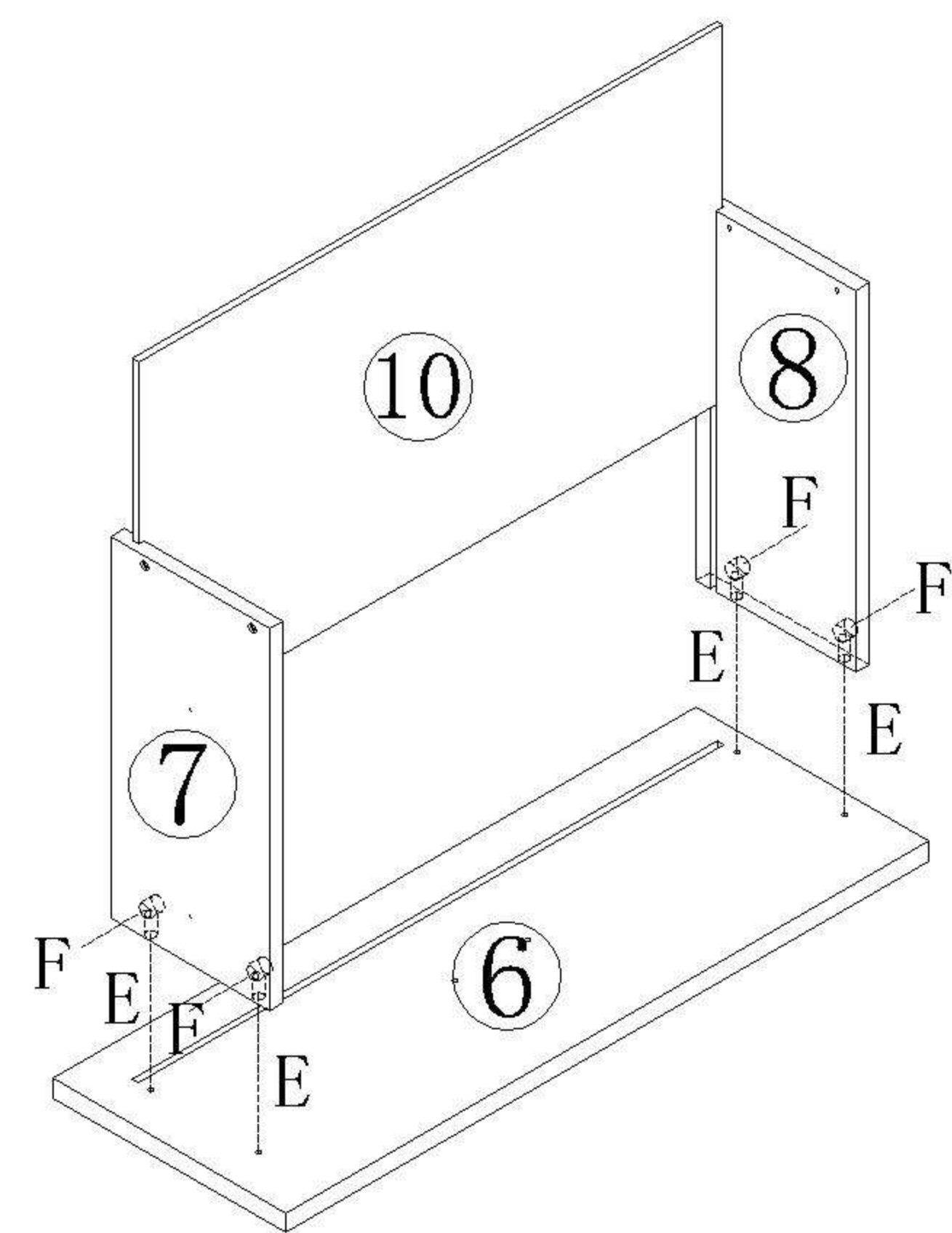


注: 将B对准A后推进去
Note: align B with a
and push it in

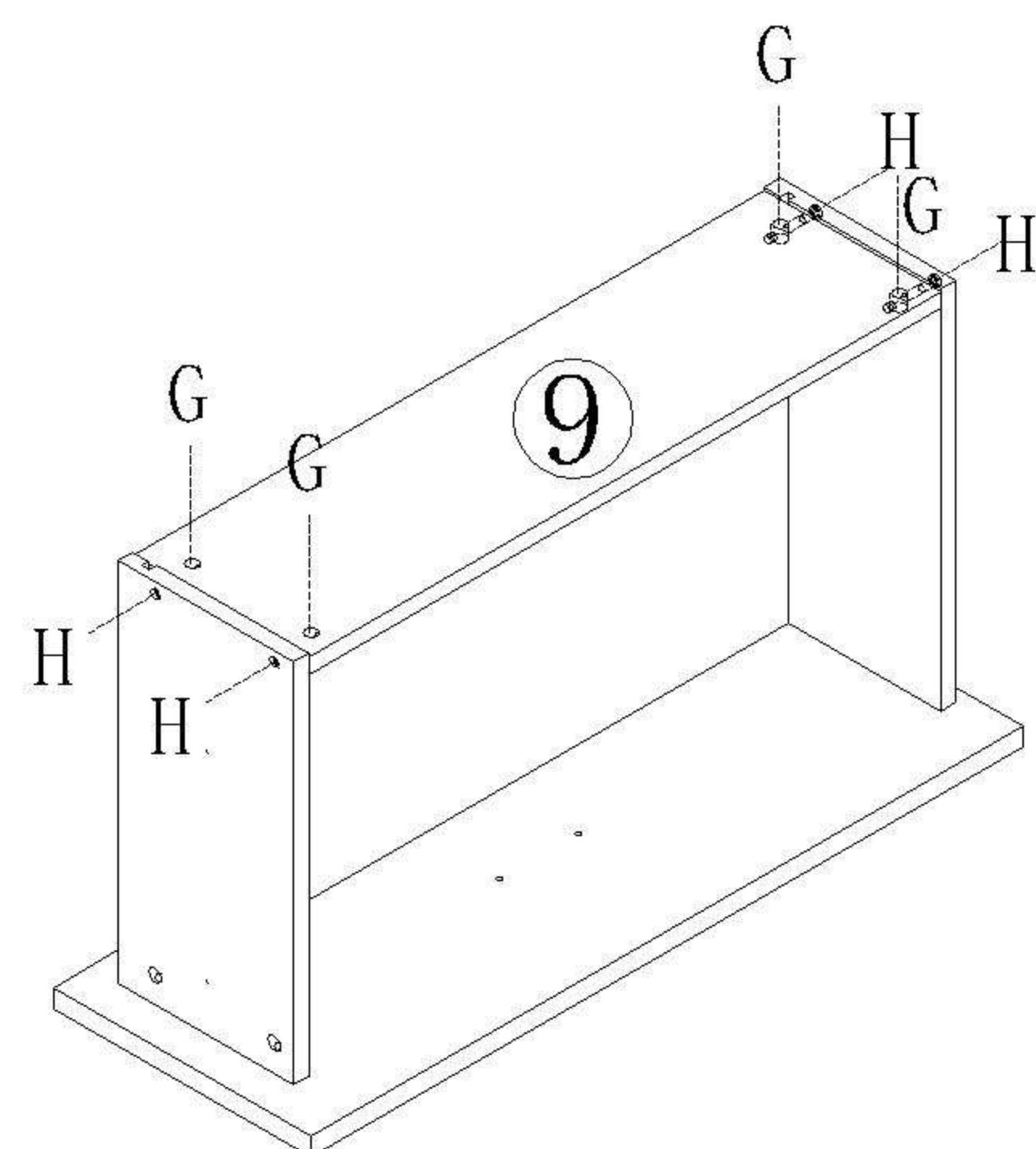


三节滚珠导轨
three-section ball rail

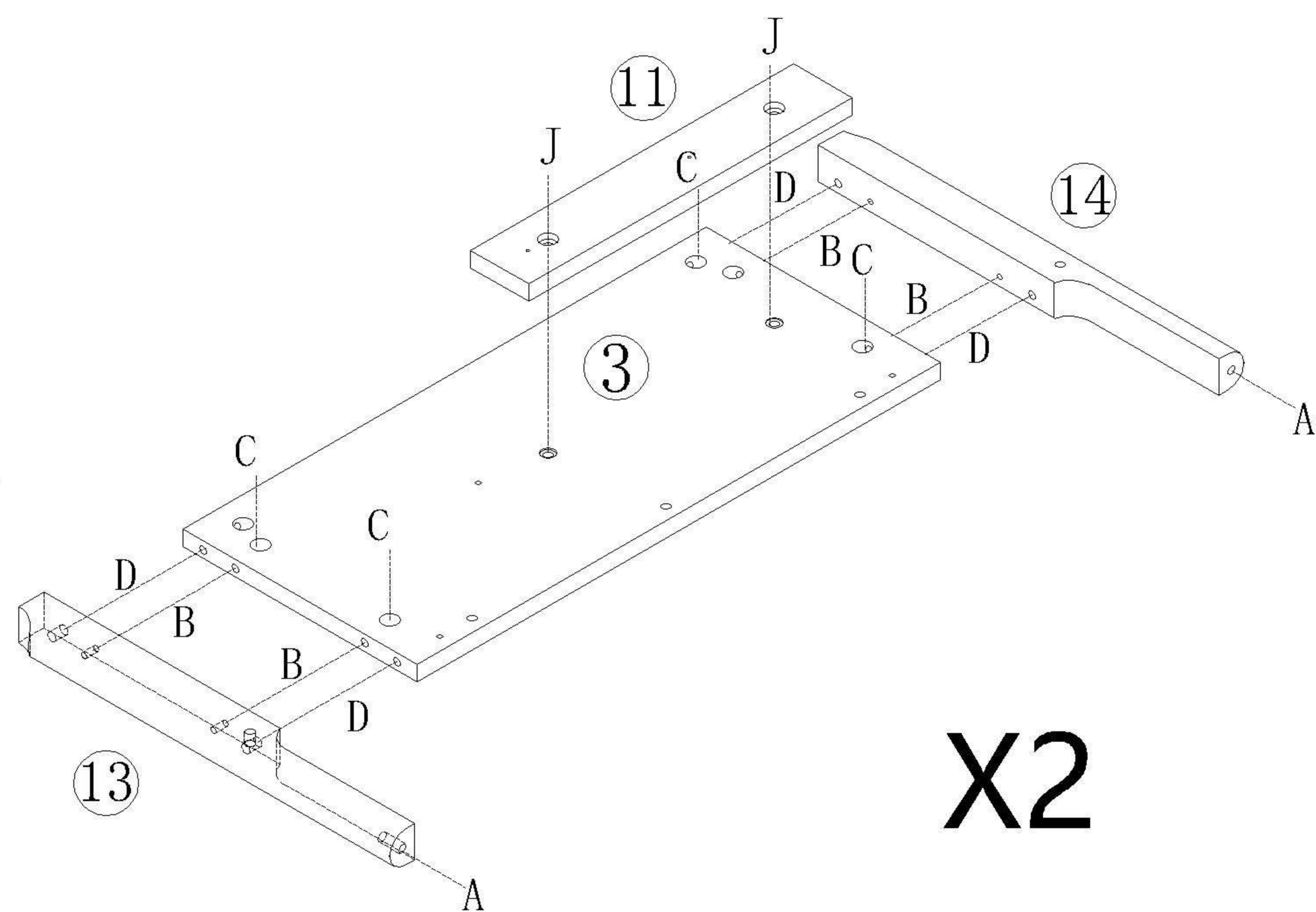
- (E)*8
- (F)*8
- (G)*8
- (H)*8



X2

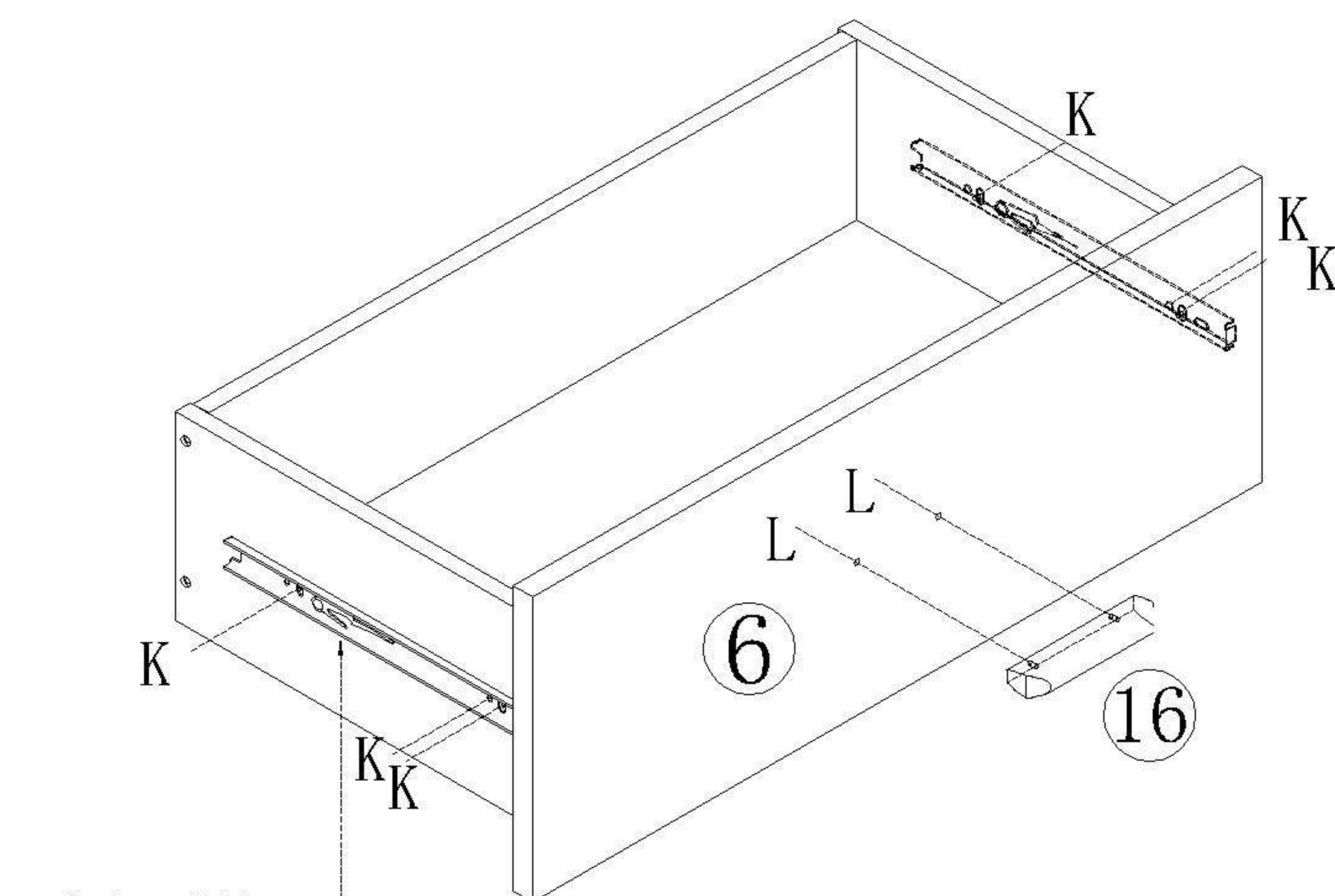


3



X2

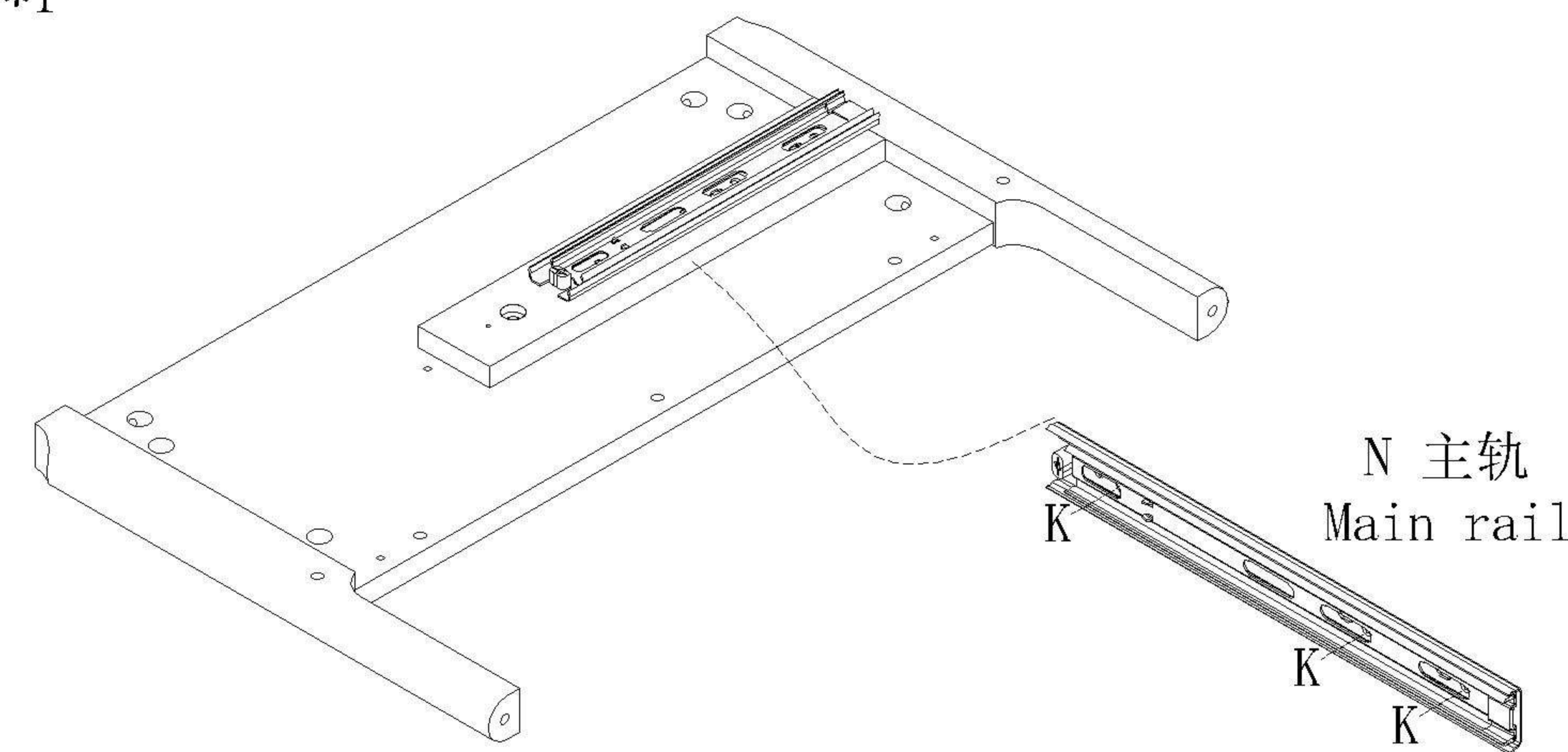
- (K)*12
- (L)*4
- (N)*2



(N) 副轨
Sub rail

X2

- (K)*6
- (N)*1

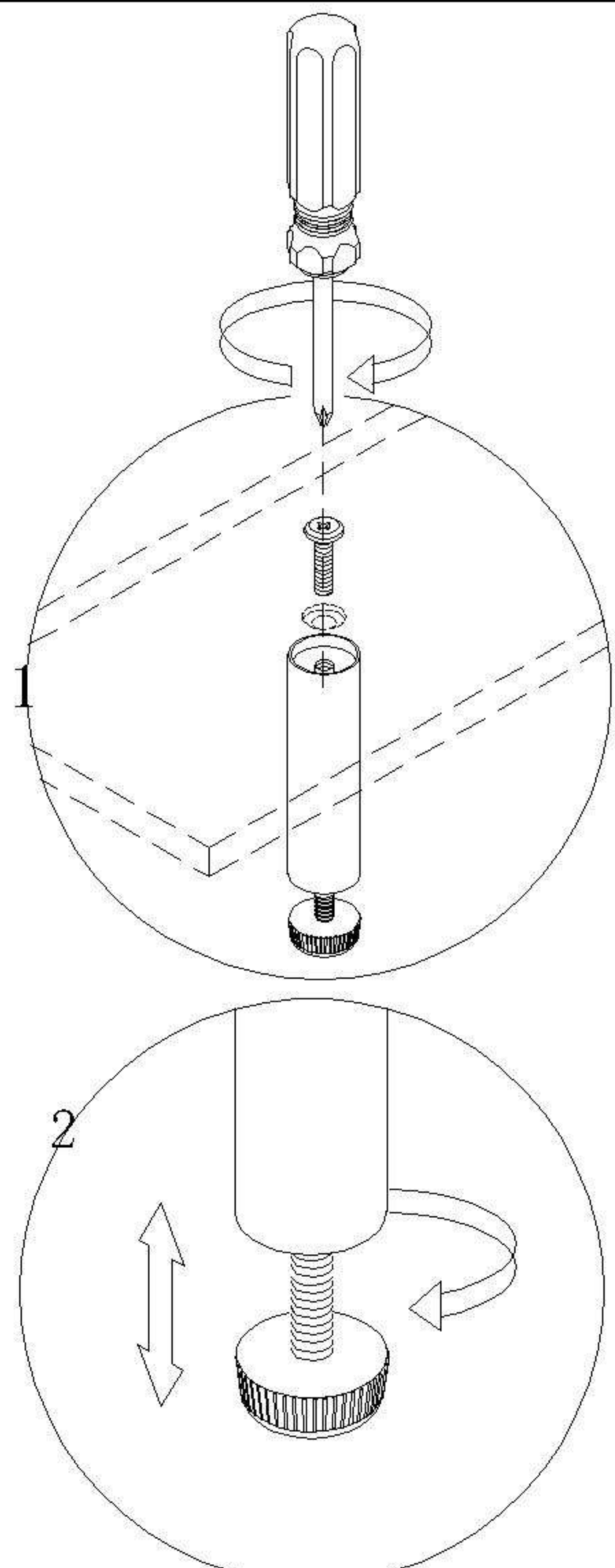


N 主轨
Main rail

X2

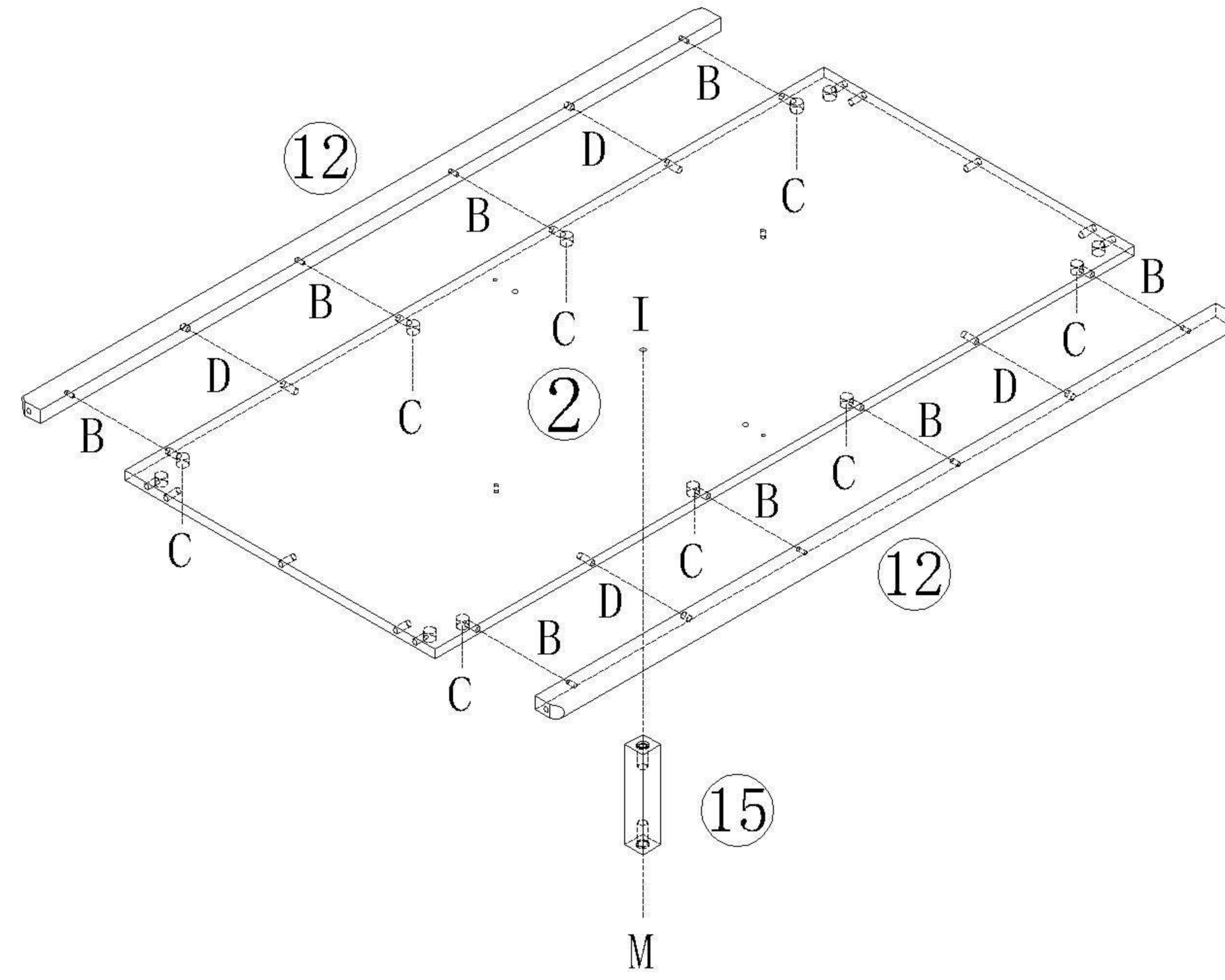
UM1L-B

安装方法/
Installation method



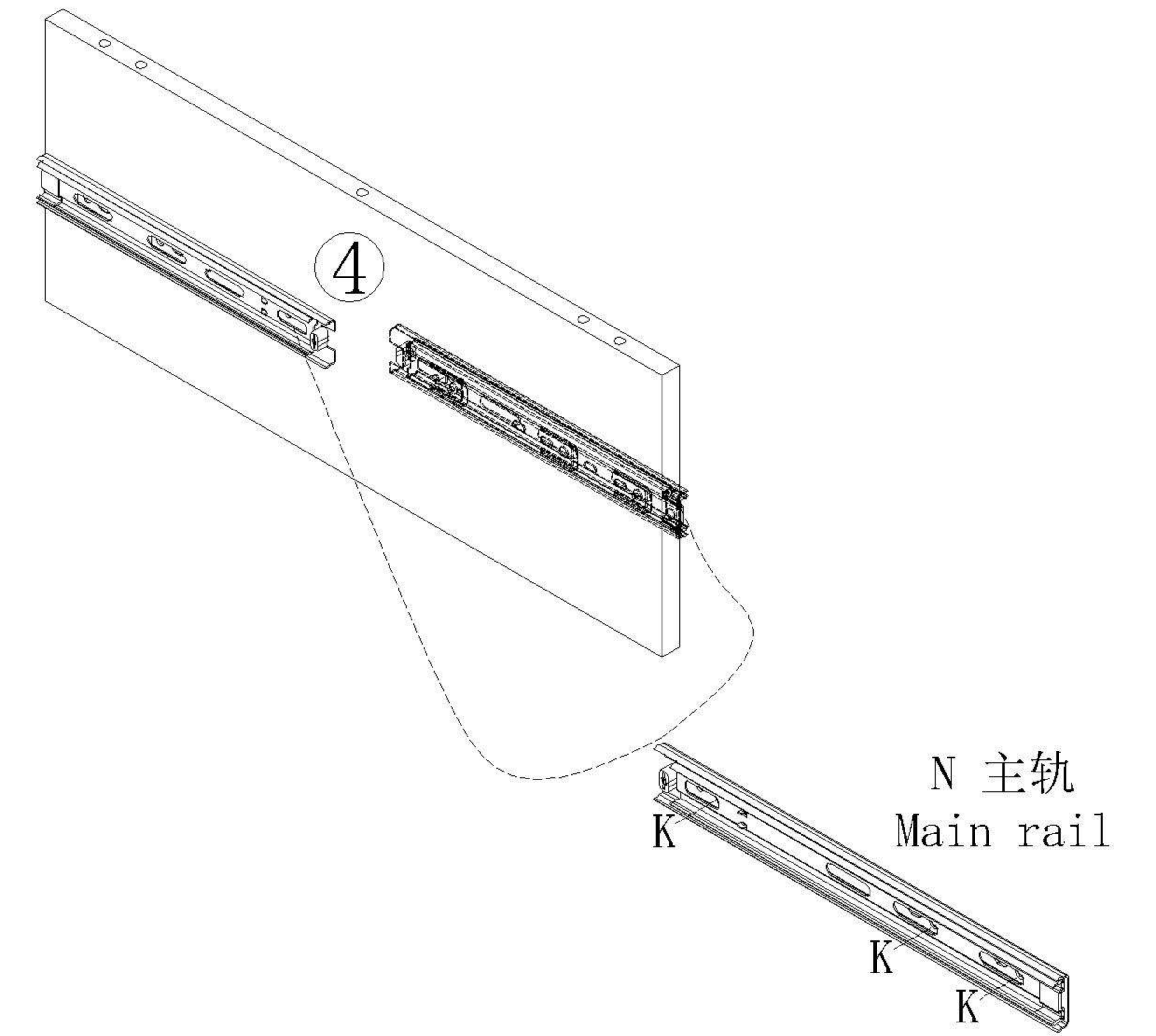
铁中脚
Support foot

- (B)*8
- (C)*8
- (D)*4
- (I)*1
- (M)*1



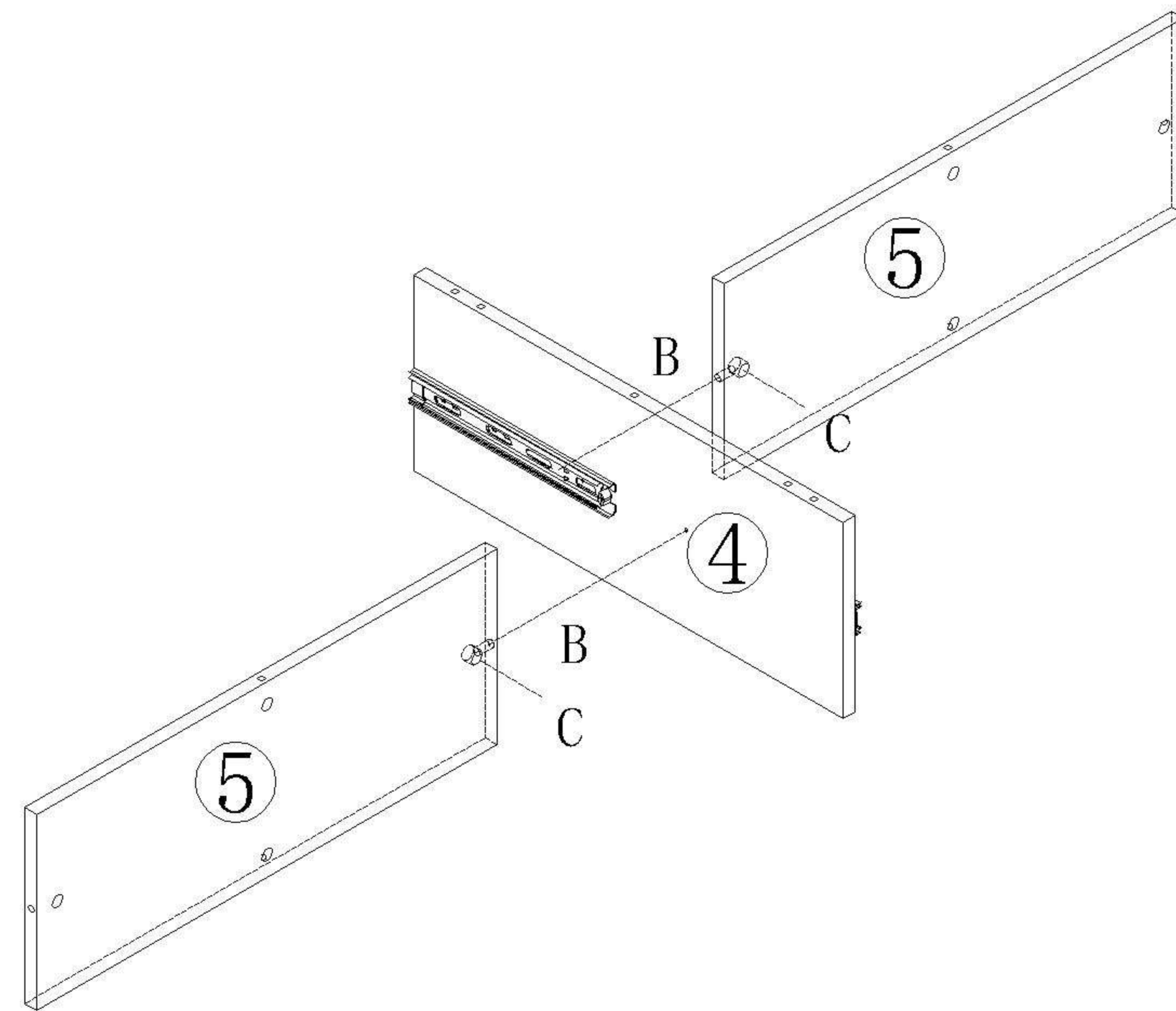
5

- (K)*6
- (N)*1



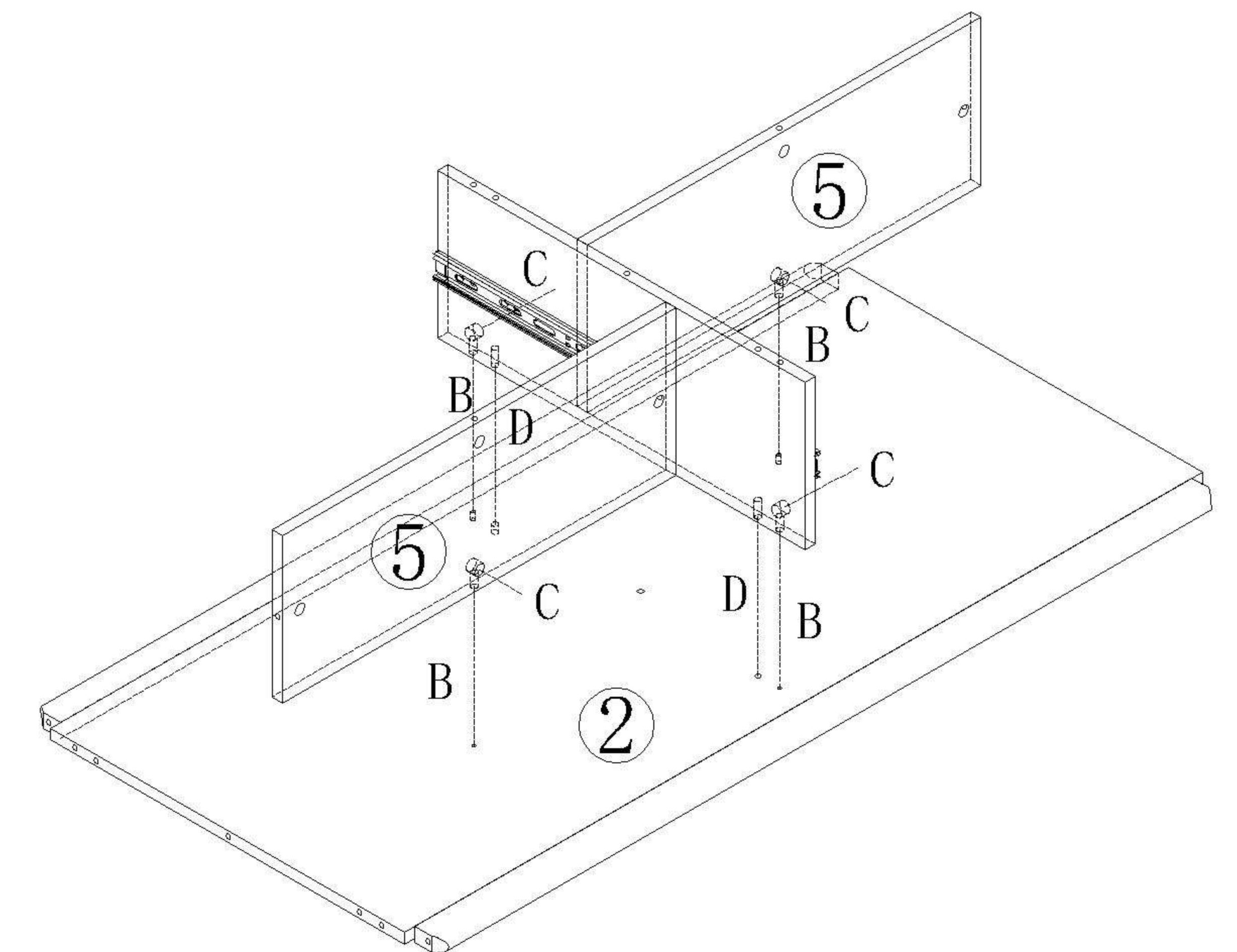
6

- (B)*2
- (C)*2



7

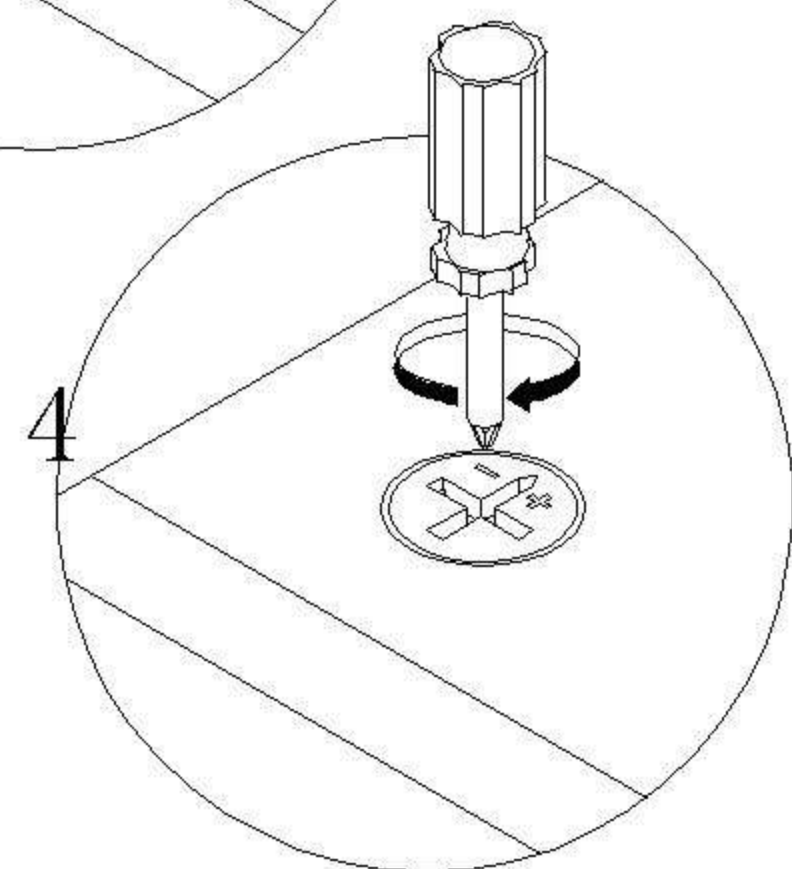
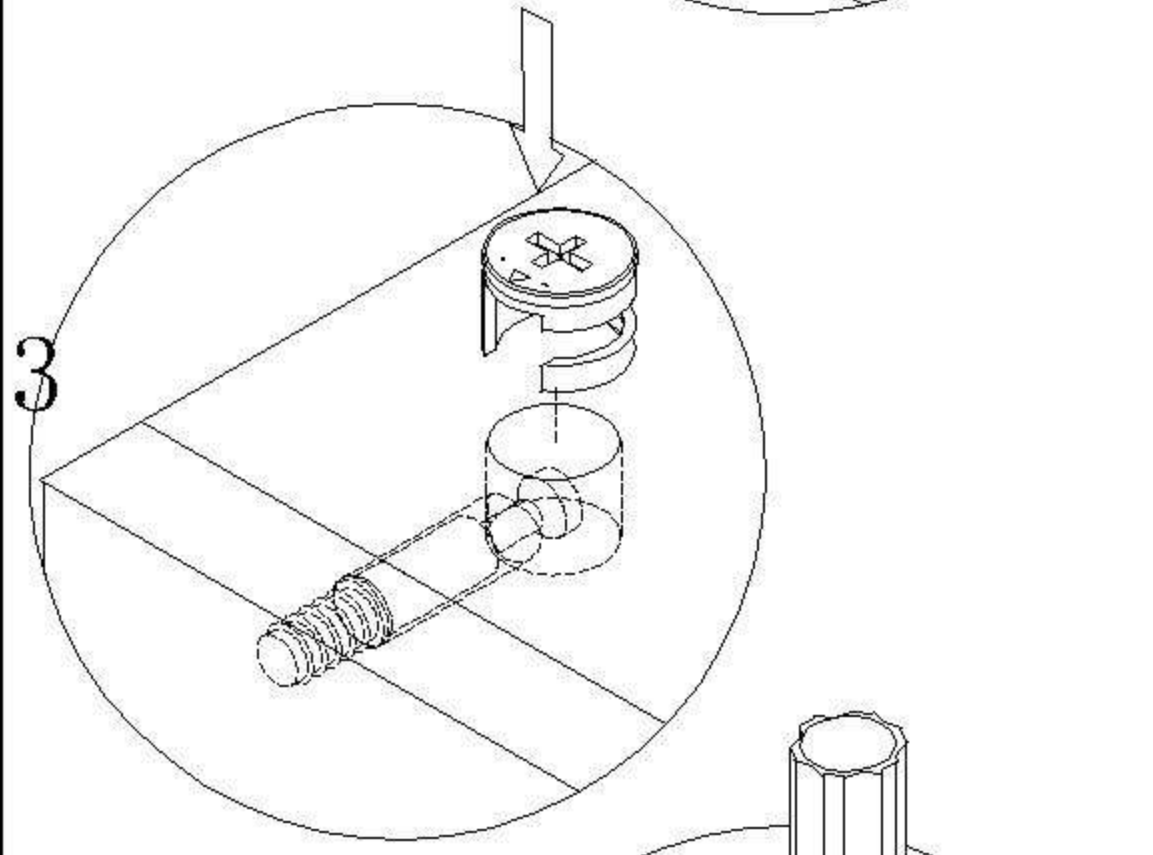
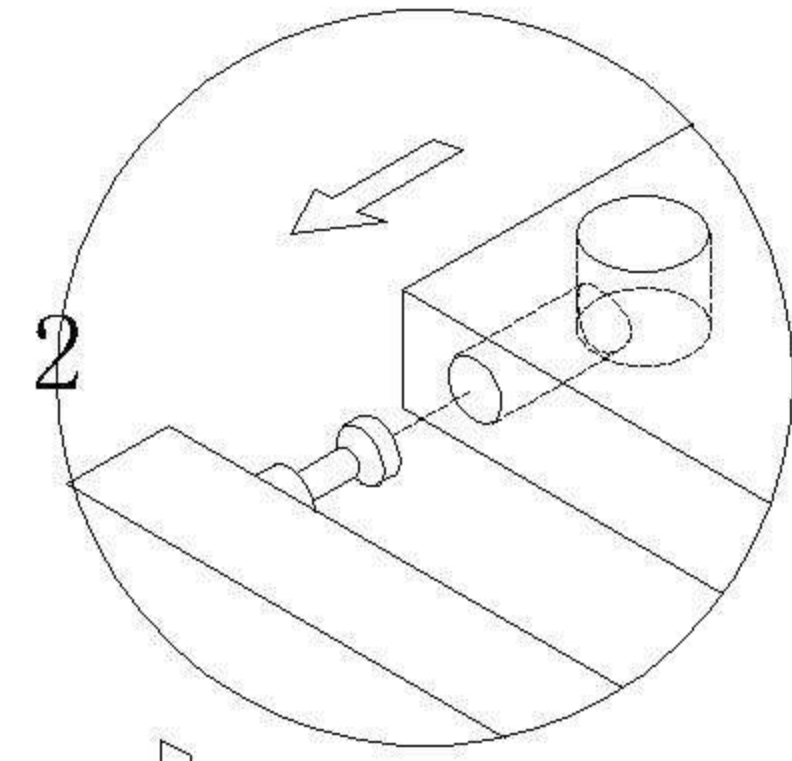
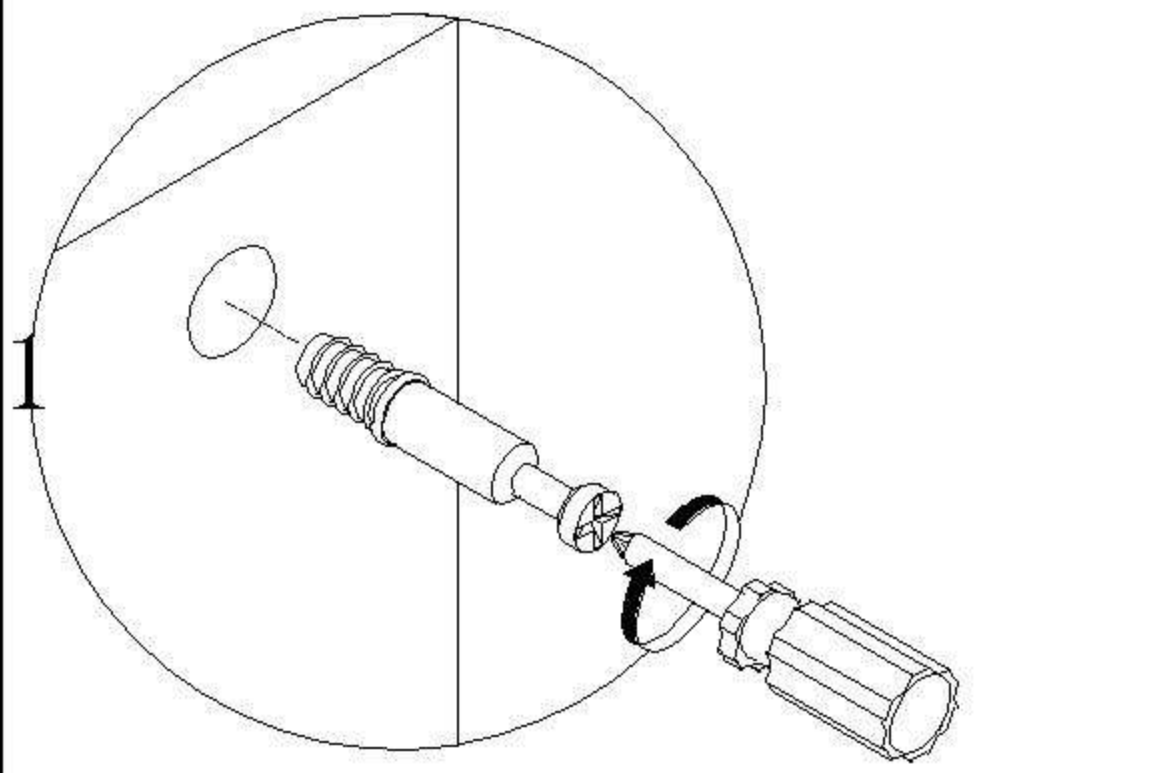
- (B)*4
- (C)*4
- (D)*2



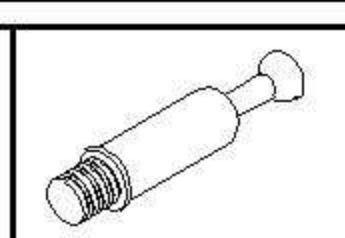
8

UM1L-B

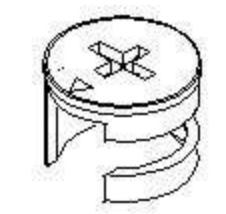
安装方法/
Installation method



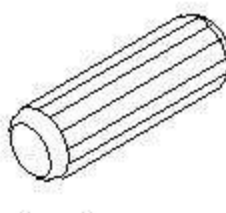
大二合一
two-in-one



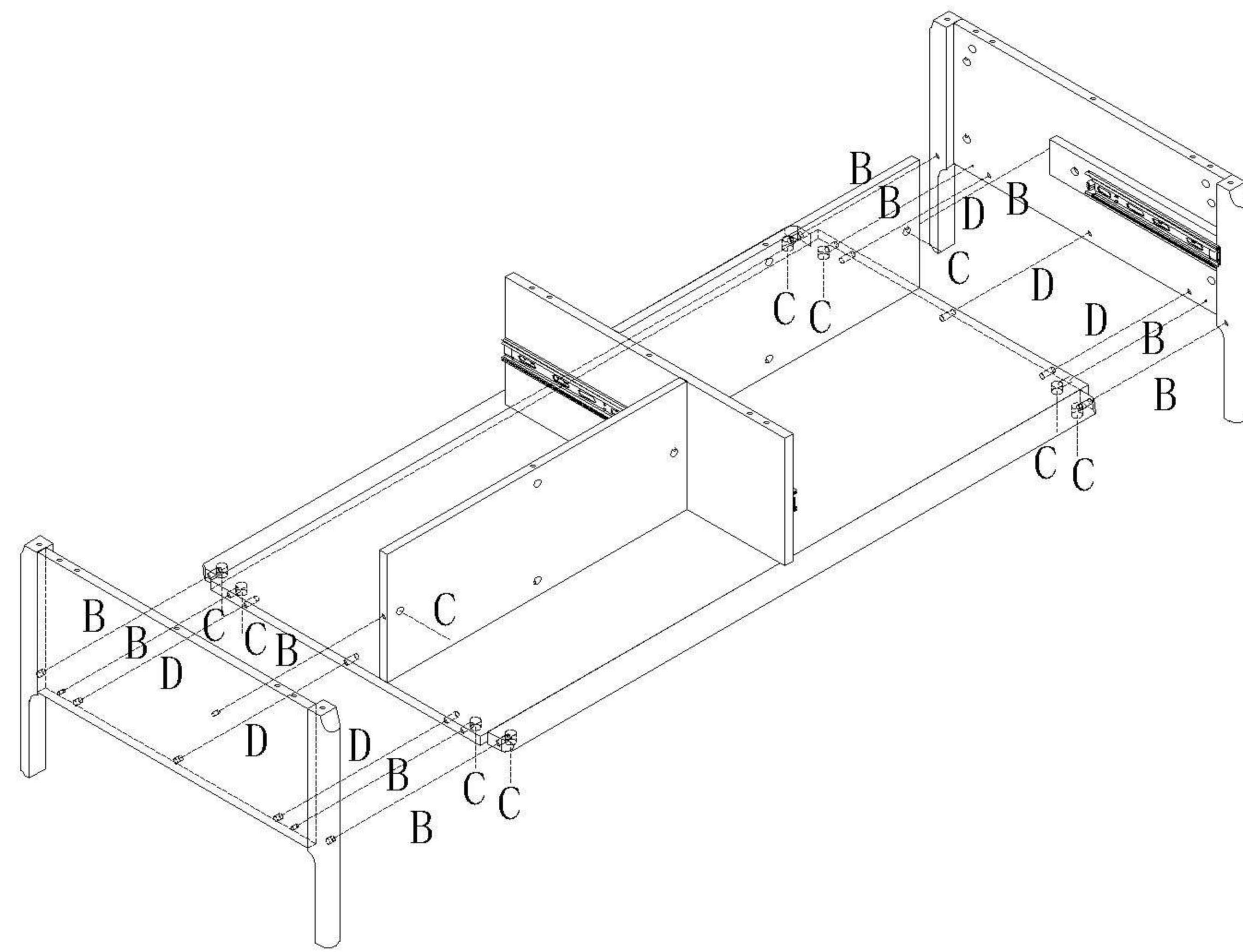
(B)*10



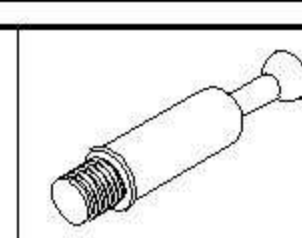
(C)*10



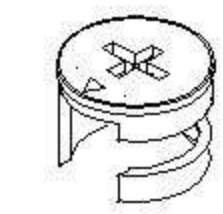
(D)*6



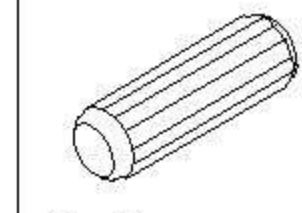
9



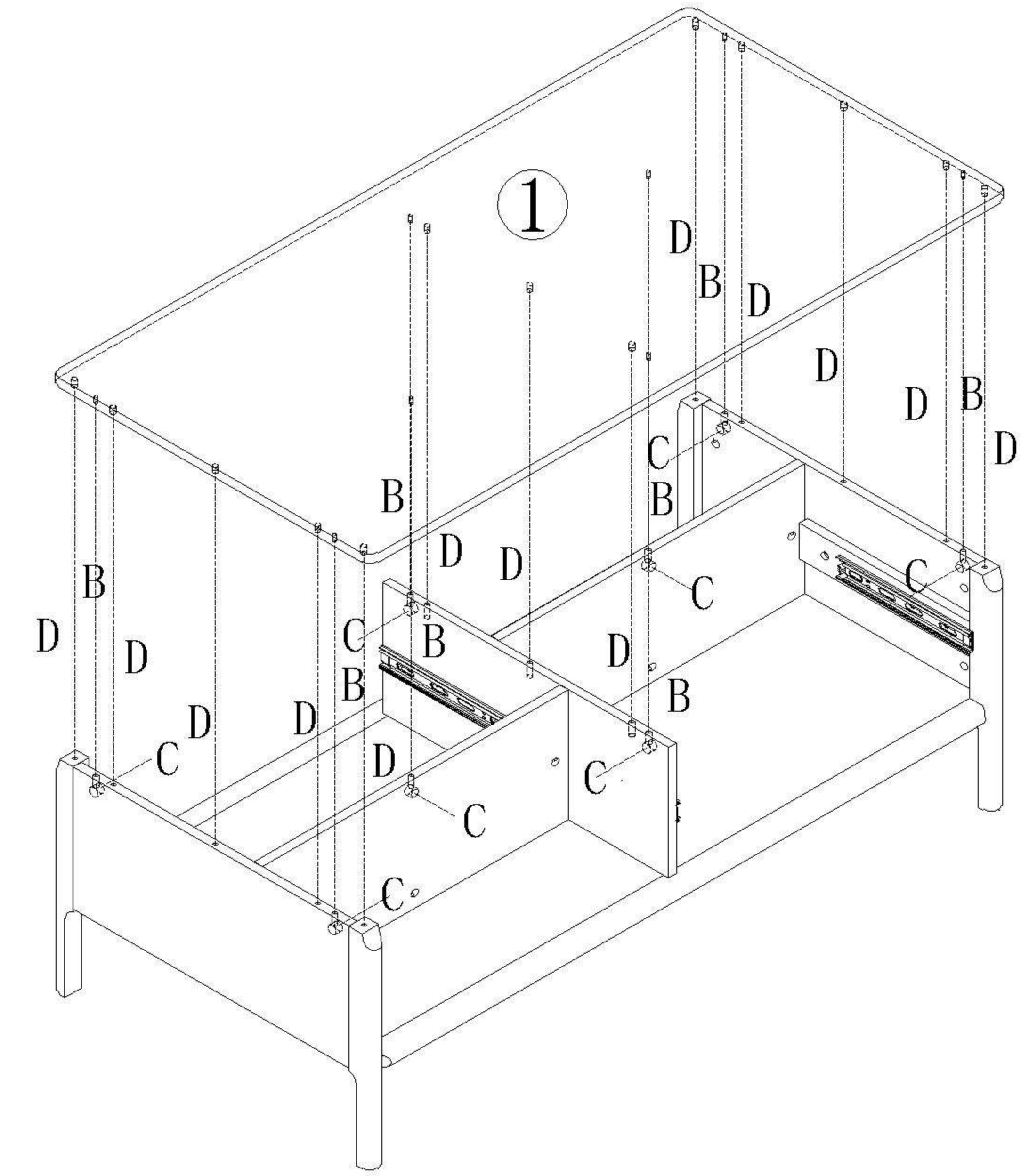
(B)*8



(C)*8

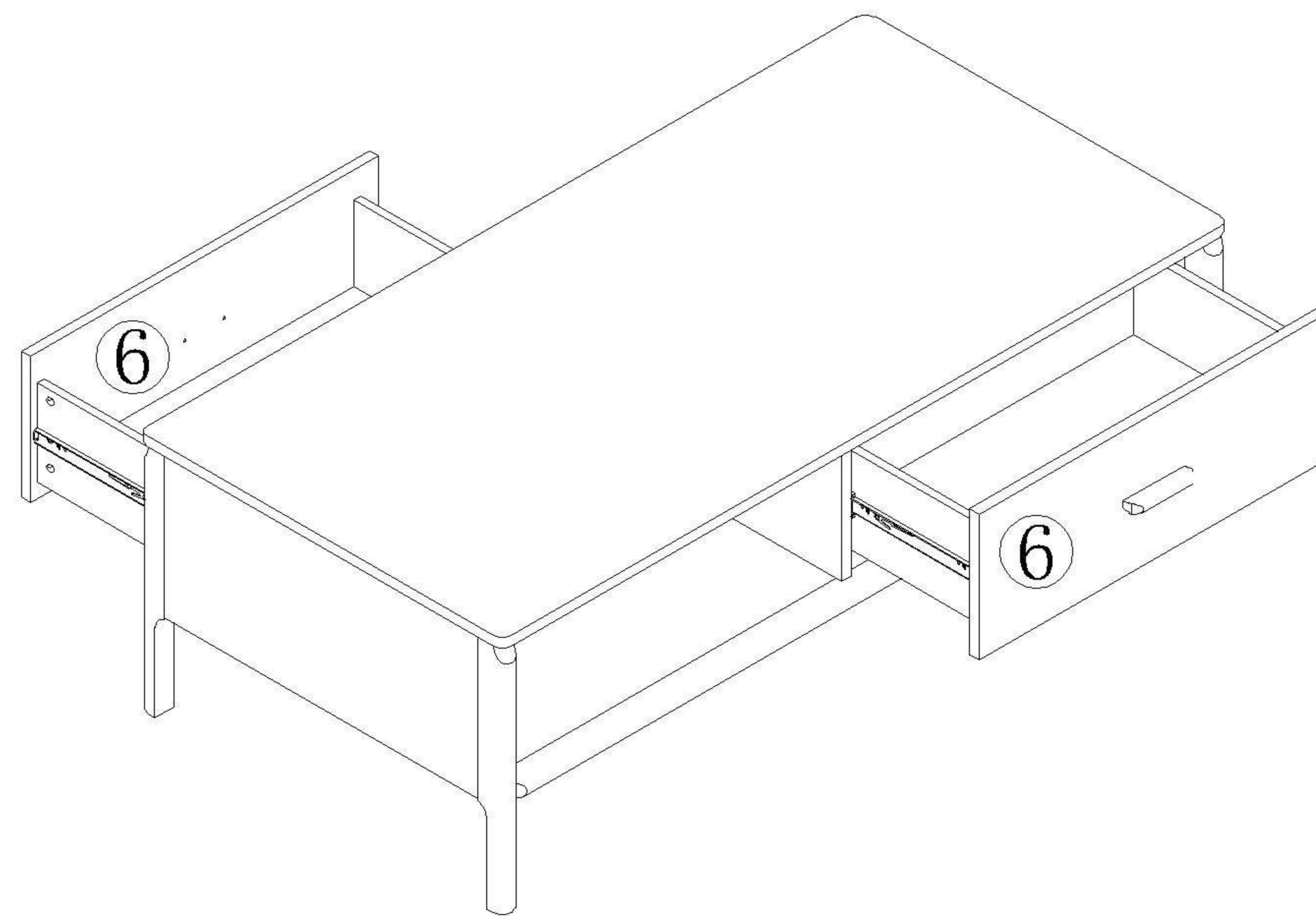


(D)*13

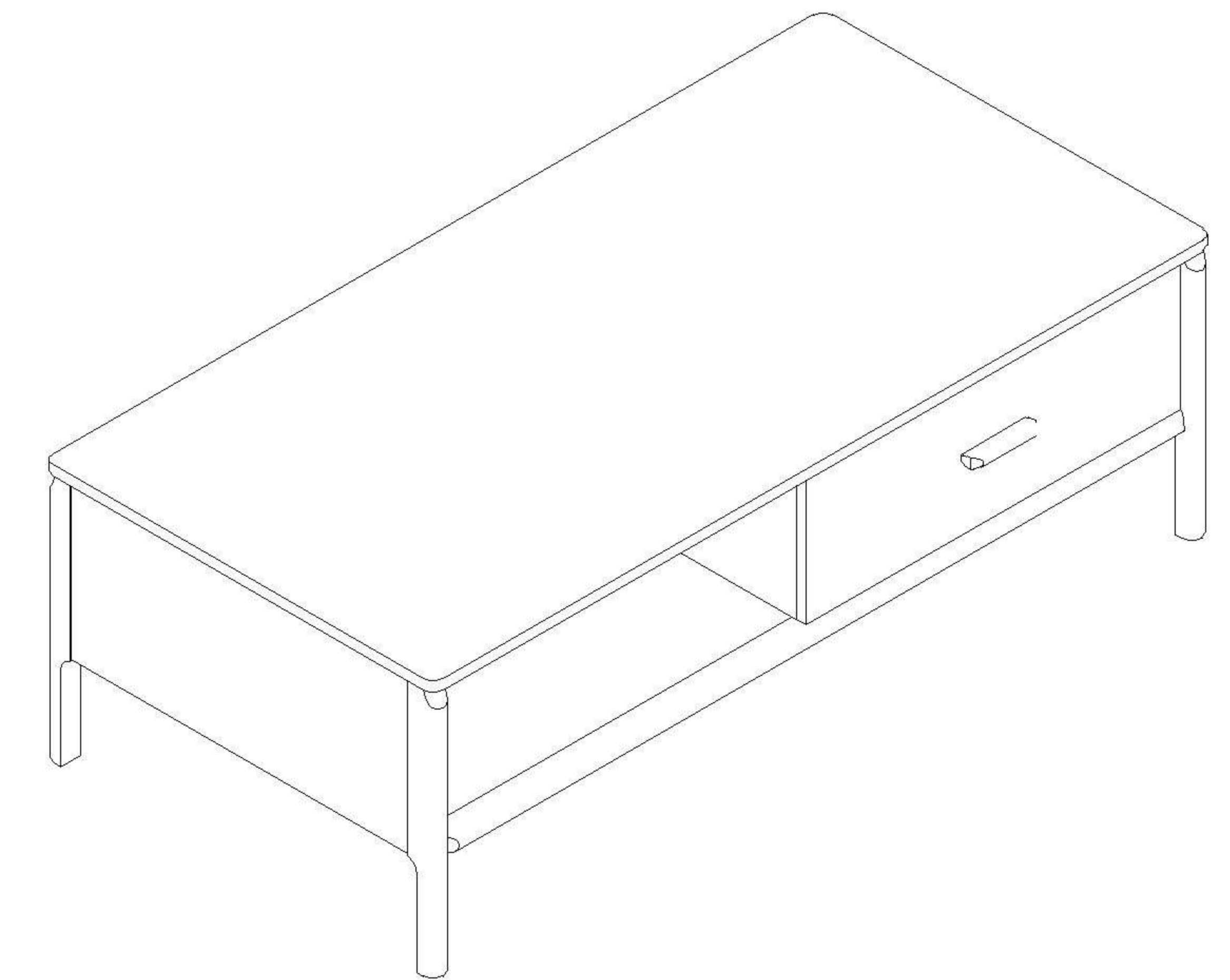


10

11



12



Installation is

▶ 安装完成
complete