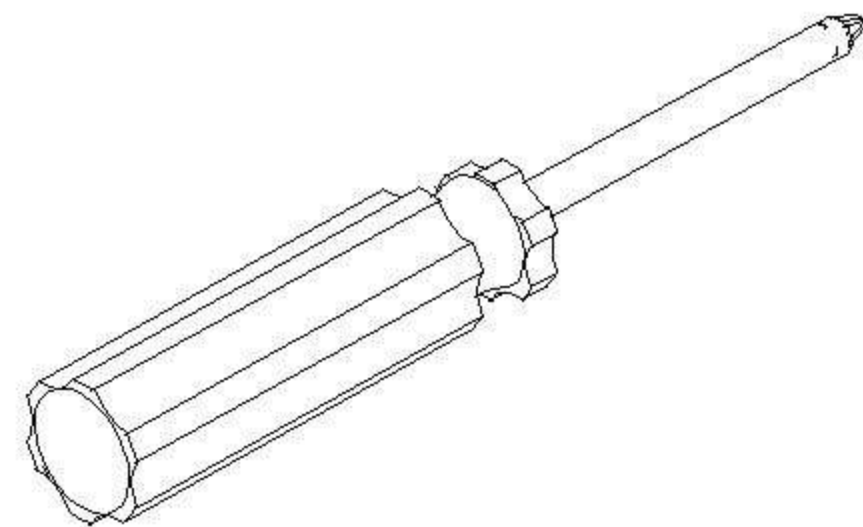
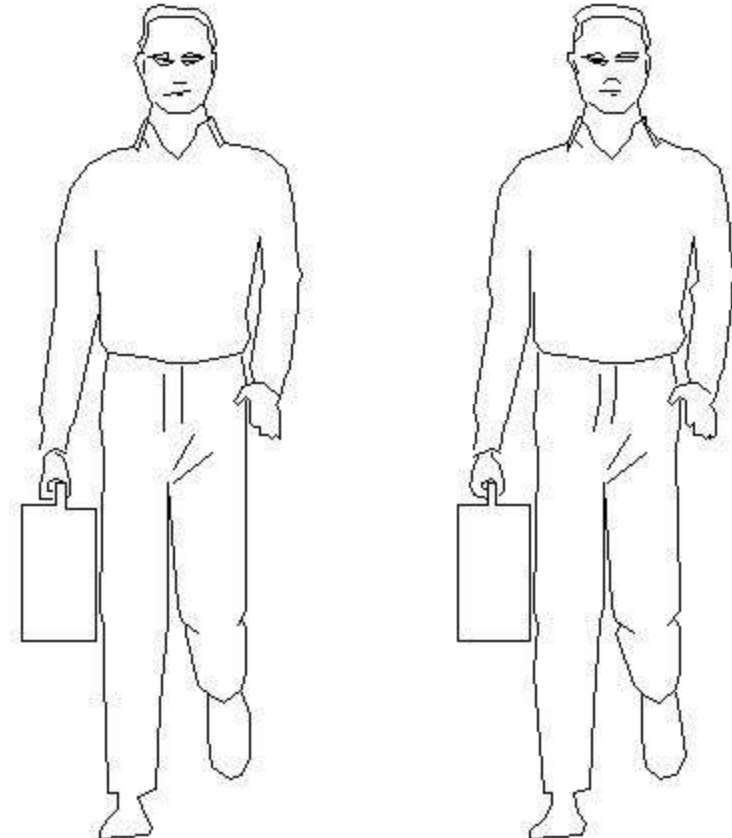


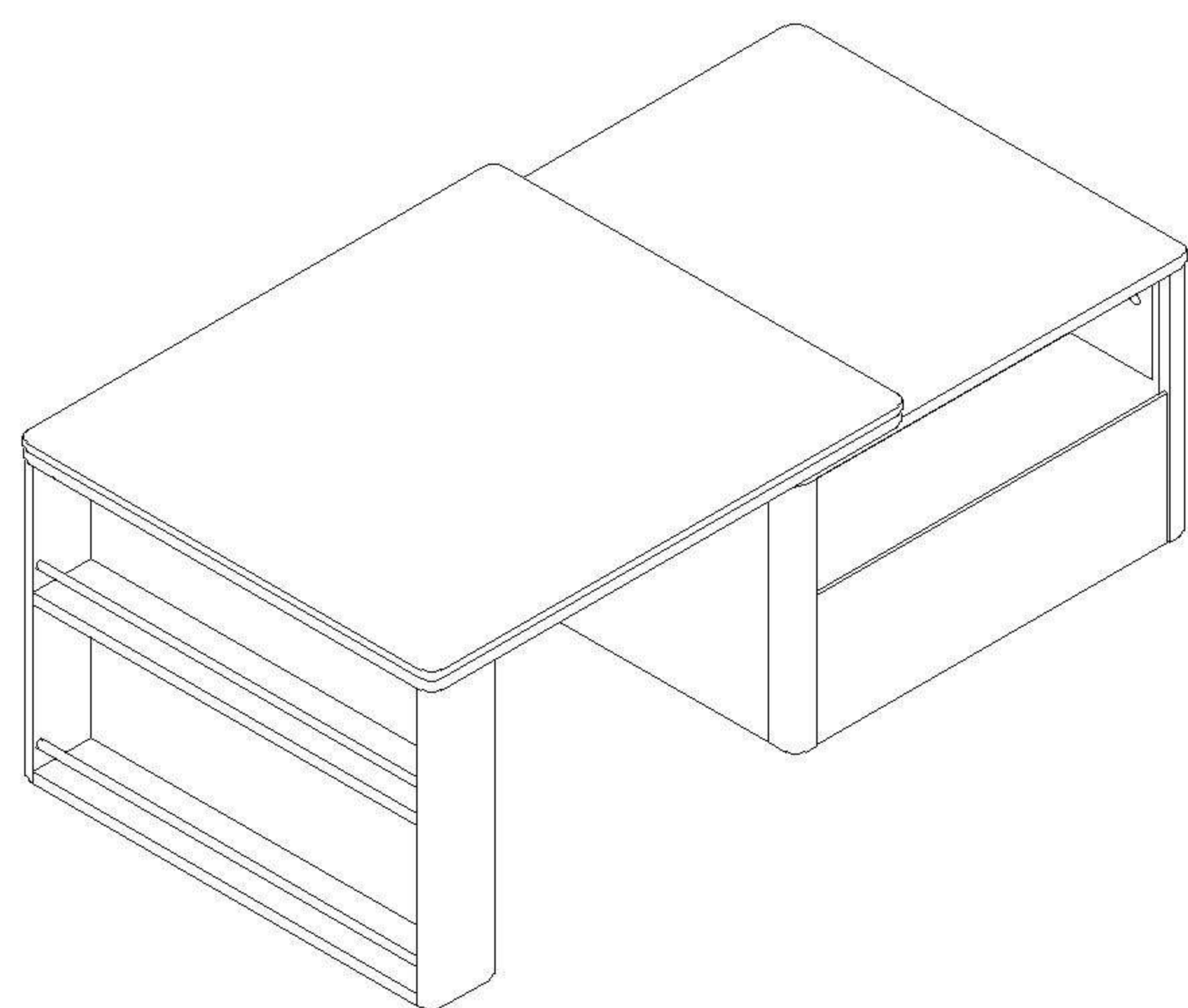
LINSY 林氏家居

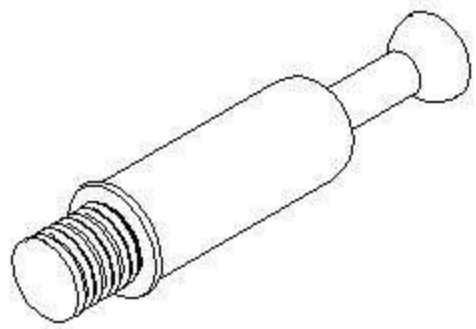
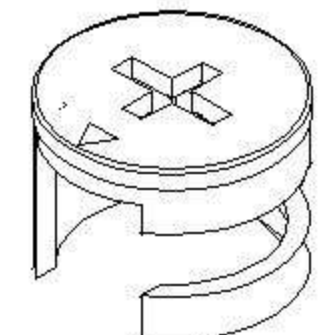
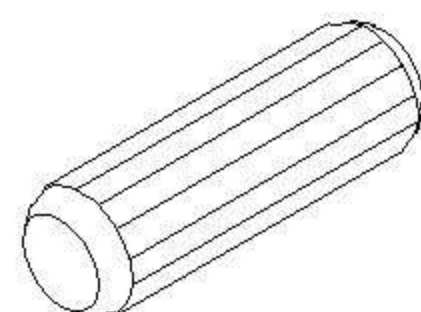
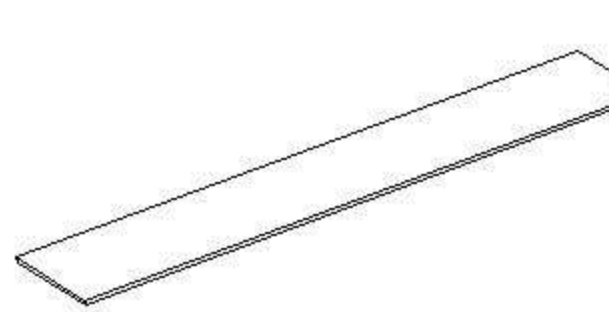
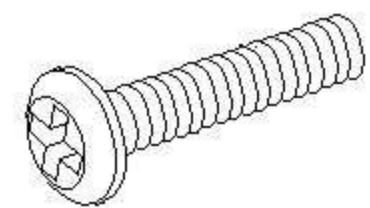
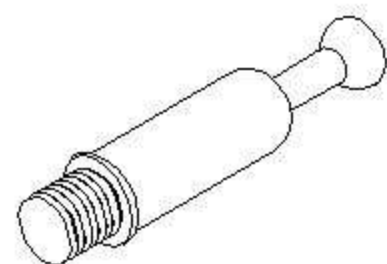
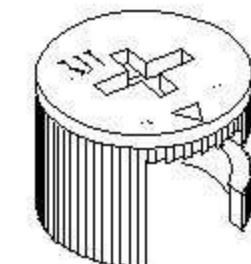
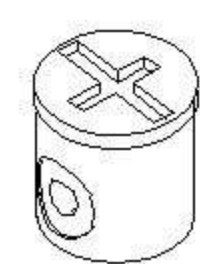
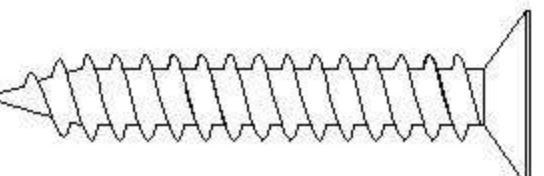
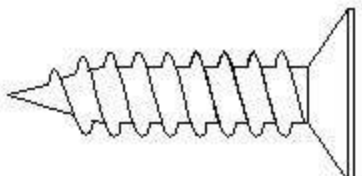
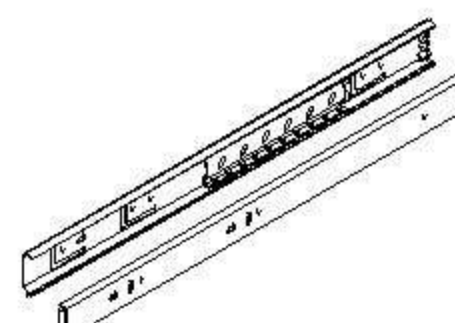
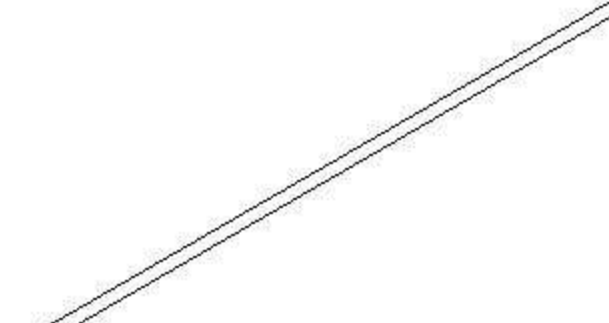

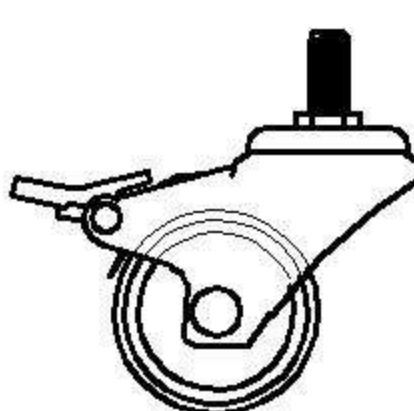
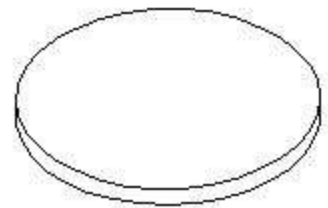
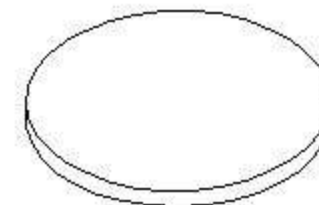
五金表/Hardware list

部件表/Parts List

安装示意图/Assembly Instruction

产品名称 Model NO.	UM4L-B
产品规格 Specification	1114~690*600*428mm
安装工具 Tool	安装人数 Installer
	

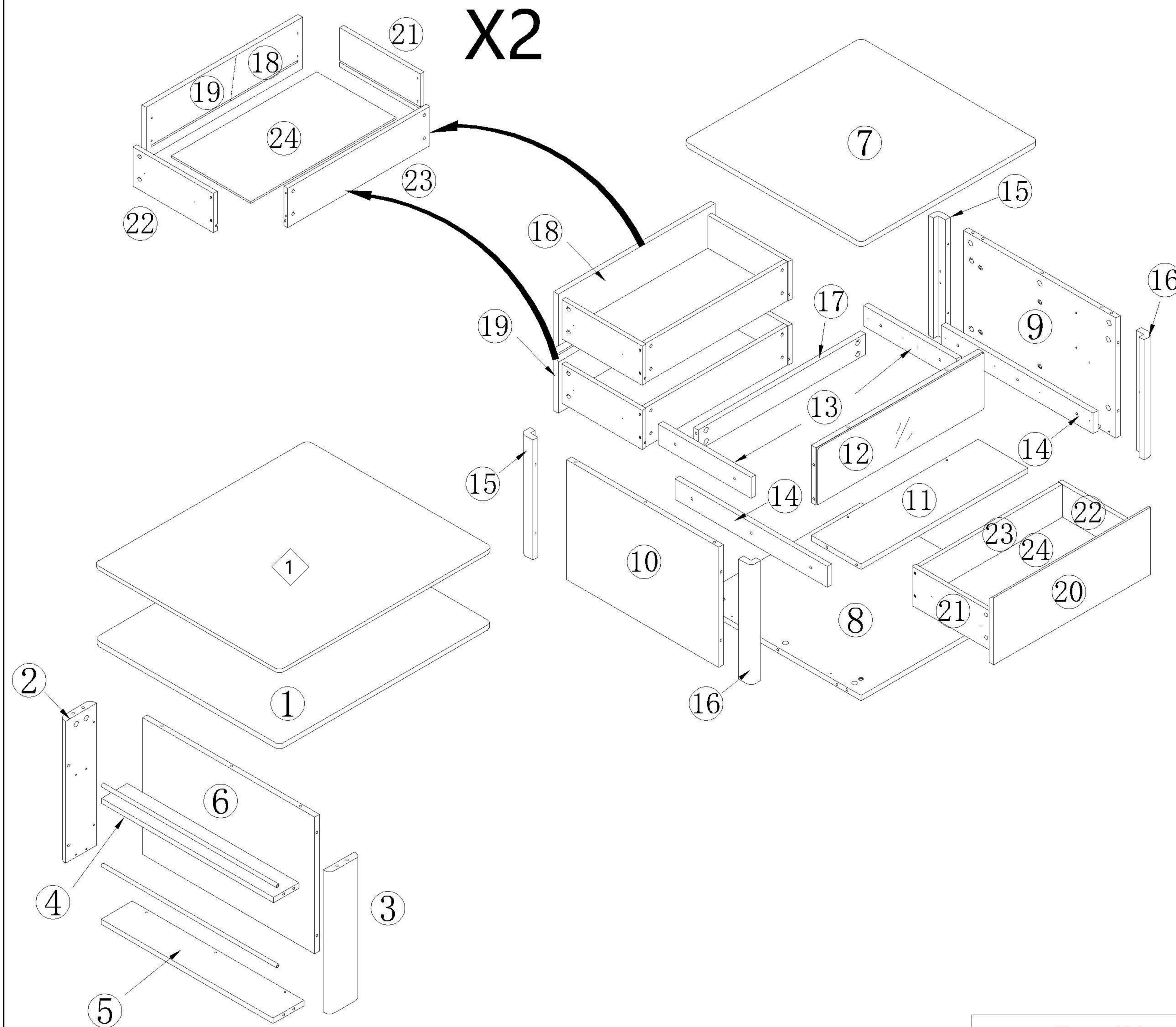


 (A)* 61 二合一螺杆 2-in-1-screw	 (B)* 61 大三合一锁饼 Three-in-one large lock	 (C)* 13 木榫Ø8x30mm wood tenon	 (D)* 2 垫片L=500 wood tenon
 (E)* 10 斜边十字螺杆-M6x20 bevel cross screw	 (F)* 13 小二合一杆 small two-in-one rod	 (G)* 13 小三合一锁饼 small three-in-one lock	 (H)* 13 塑料螺母 Plastic Nut
 (I)* 13 自攻螺丝M4x40mm Self-tapping screw	 (J)* 46 自攻螺丝M3.5x12mm Self-tapping screw	 (K)* 3 三节滚珠导轨-10" three-section ball rail	 (L)* 2 圆管 Circular tube
 (M)* 4 小角码 Small bracket	 (N)* 4 万向轮 Universal wheel	 (O)* 6 脚垫-灰色 Footrest - Grey	 (P)* 6 透明圆形玻璃防滑垫 Round rubber pad

编号NO.	名称Name	规格(mm) Specification	数量QTY	材质Material
茶几主体: Main Body Of Coffee Table				
①	面板Top panel	688*598*15	1	刨花板 Particle board
②	左侧板Side board(L)	398*100*20	1	橡胶木 Rubber wood
③	右侧板Side board(R)	398*100*20	1	橡胶木 Rubber wood
④	层板shelf	556*83*15	1	刨花板 Particle board
⑤	底板Bottom board	556*100*15	1	刨花板 Particle board
⑥	背板Back board	556*383*15	1	刨花板 Particle board
⑦	附柜面板 Attached counter plate	574*574*15	1	刨花板 Particle board
⑧	附柜底板 Attached cabinet's bottom board	540*540*15	1	刨花板 Particle board
⑨	附柜左侧板 Sideboard of attached cabinet(L)	492*336*15	1	刨花板 Particle board
⑩	附柜右侧板 Sideboard of attached cabinet(R)	492*336*15	1	刨花板 Particle board
⑪	拉条1 Brace 1	540*160.5*15	1	刨花板 Particle board
⑫	镜子组合 Mirror combination	540*160.5*20	1	银镜+刨花板 Mirror+Particle board
⑬	垫条1 Cushion strip 1	300*58*15	2	刨花板 Particle board
⑭	垫条2 Cushion strip 2	492*58*15	2	刨花板 Particle board
⑮	左侧柱 Side column(L)	336*31*40	2	橡胶木 Rubber wood
⑯	右侧柱 Side column(R)	336*31*40	2	橡胶木 Rubber wood
⑰	拉条2 Brace 2	540*58*15	1	刨花板 Particle board
⑱	上抽屉面板 Upper drawer's panel	506*154*15	1	刨花板 Particle board
⑲	下抽屉面板 Bottom drawer's panel	506*154*15	1	刨花板 Particle board
⑳	左抽屉面板 Drawer's panel(L)	506*188*15	1	刨花板 Particle board
㉑	抽屉左侧板 Drawer side board(L)	260*110*12	3	刨花板 Particle board
㉒	抽屉右侧板 Drawer side board(R)	260*110*12	3	刨花板 Particle board
㉓	抽屉后板 Drawer Back panel	460*110*12	3	刨花板 Particle board
㉔	抽屉底板 Drawer Bottom panel	470*256*5	3	纤维板 Fiberboard

茶几面板: Coffee Table Panel

①	茶几面板 Coffee Table Panel	690*600*11	1	石材 Stone
---	----------------------------	------------	---	----------

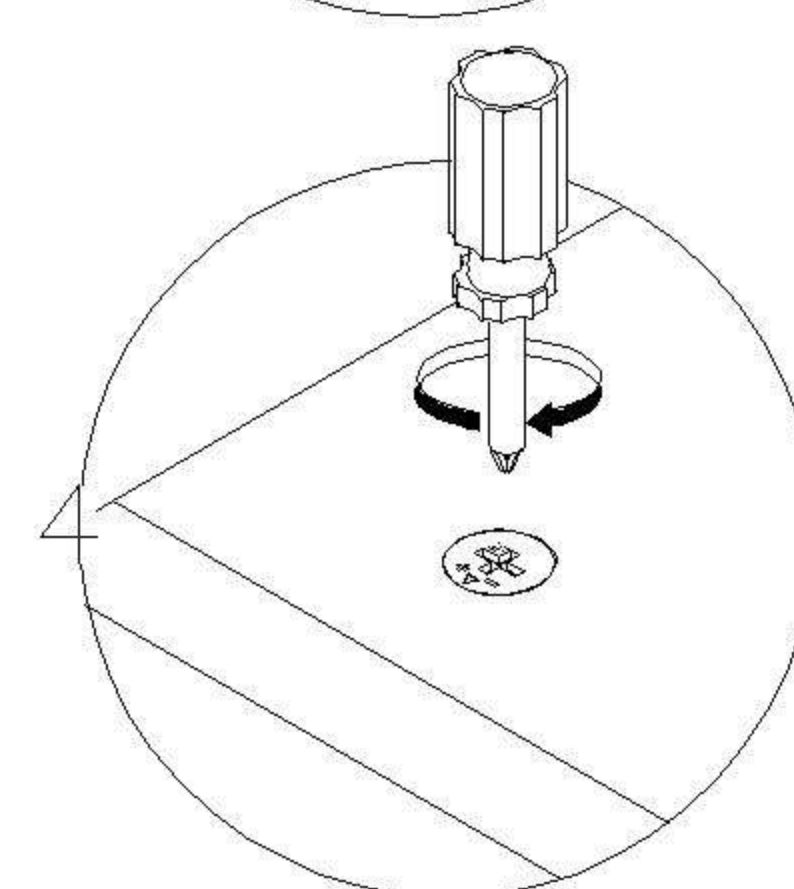
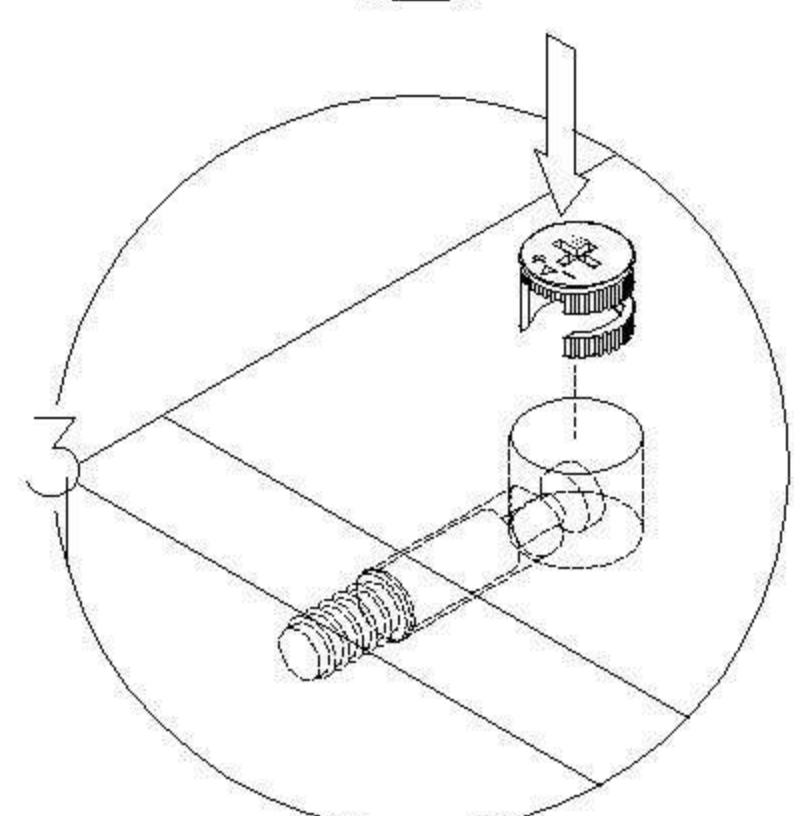
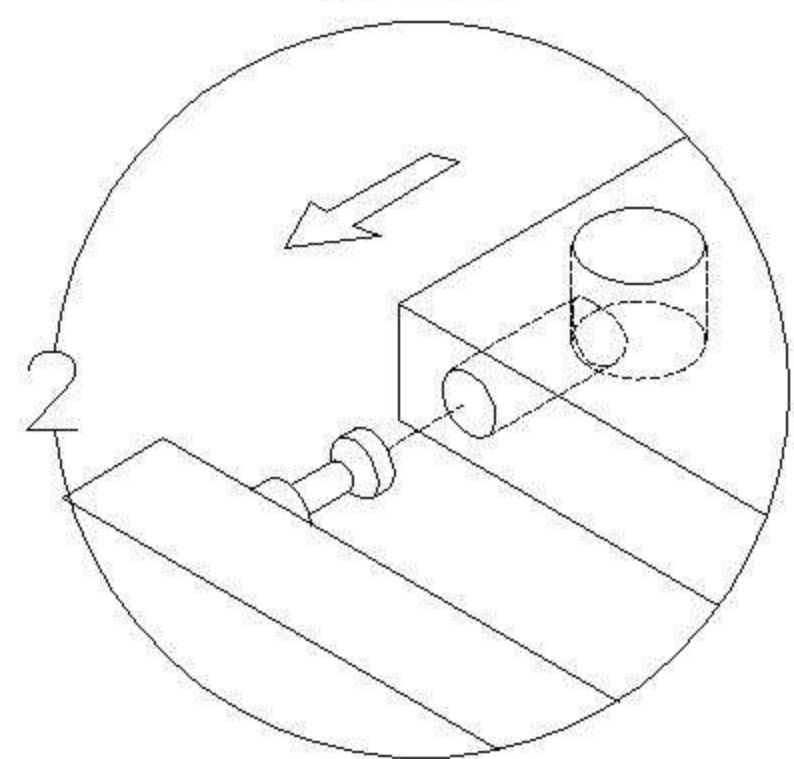
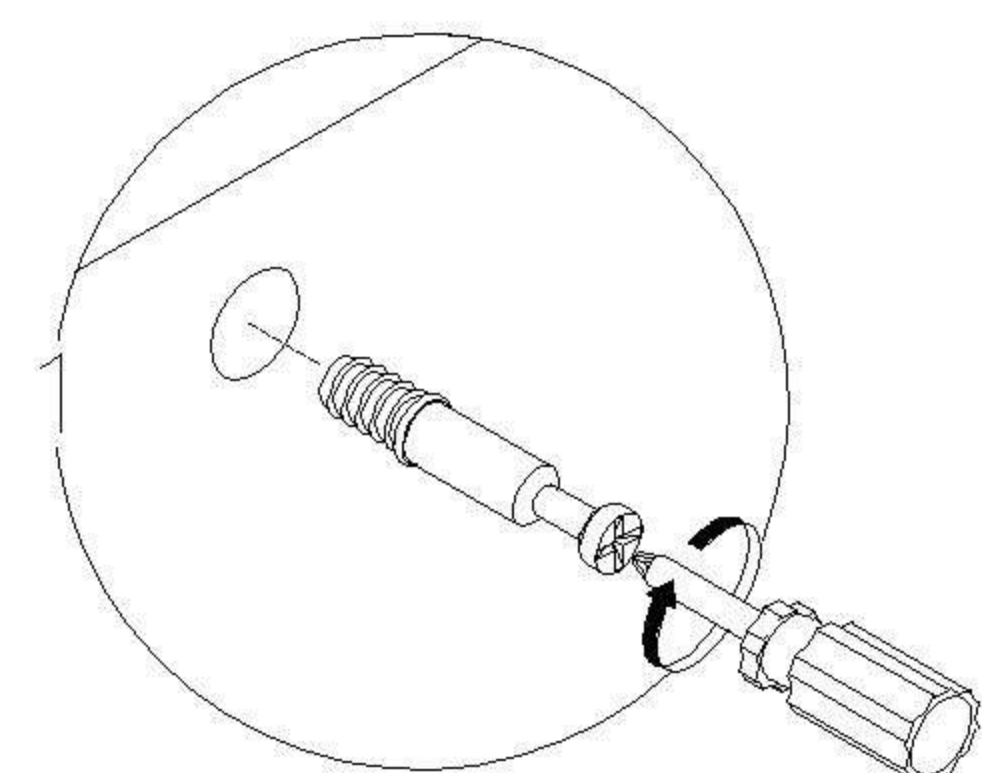


编号NO.	名称Name
茶几主体	
①	面板Top panel
②	左侧板Side board(L)
③	右侧板Side board(R)
④	层板shelf
⑤	底板Bottom board
⑥	背板Back board
⑦	附柜面板 Attached counter plate
⑧	附柜底板 Attached cabinet's bottom board
⑨	附柜左侧板 Sideboard of attached cabinet(L)
⑩	附柜右侧板 Sideboard of attached cabinet(R)
⑪	拉条1 Brace 1
⑫	镜子组合 Mirror combination
⑬	垫条1 Cushion strip 1
⑭	垫条2 Cushion strip 2
⑮	左侧柱 Side column(L)
⑯	右侧柱 Side column(R)
⑰	拉条2 Brace 2
⑱	上抽屉面板 Upper drawer's panel
⑲	下抽屉面板 Bottom drawer's panel
⑳	左抽屉面板 Drawer's panel(L)
㉑	抽屉左侧板 Drawer side board(L)
㉒	抽屉右侧板 Drawer side board(R)
㉓	抽屉后板 Drawer Back panel
㉔	抽屉底板 Drawer Bottom panel

茶几面板	
◇ 1	茶几面板 Coffee Table Panel

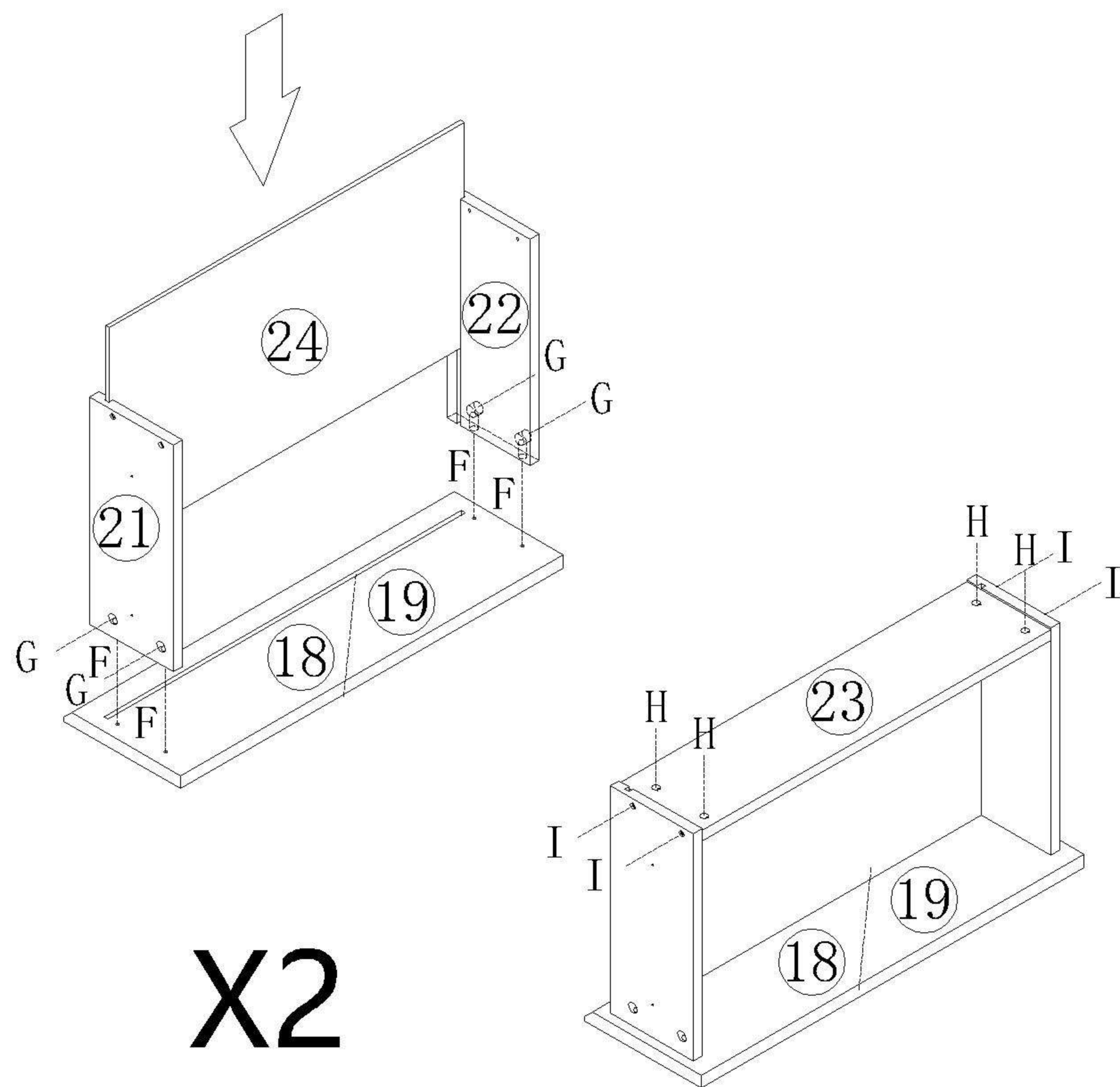
UM4L-B

安装方法/
Installation method



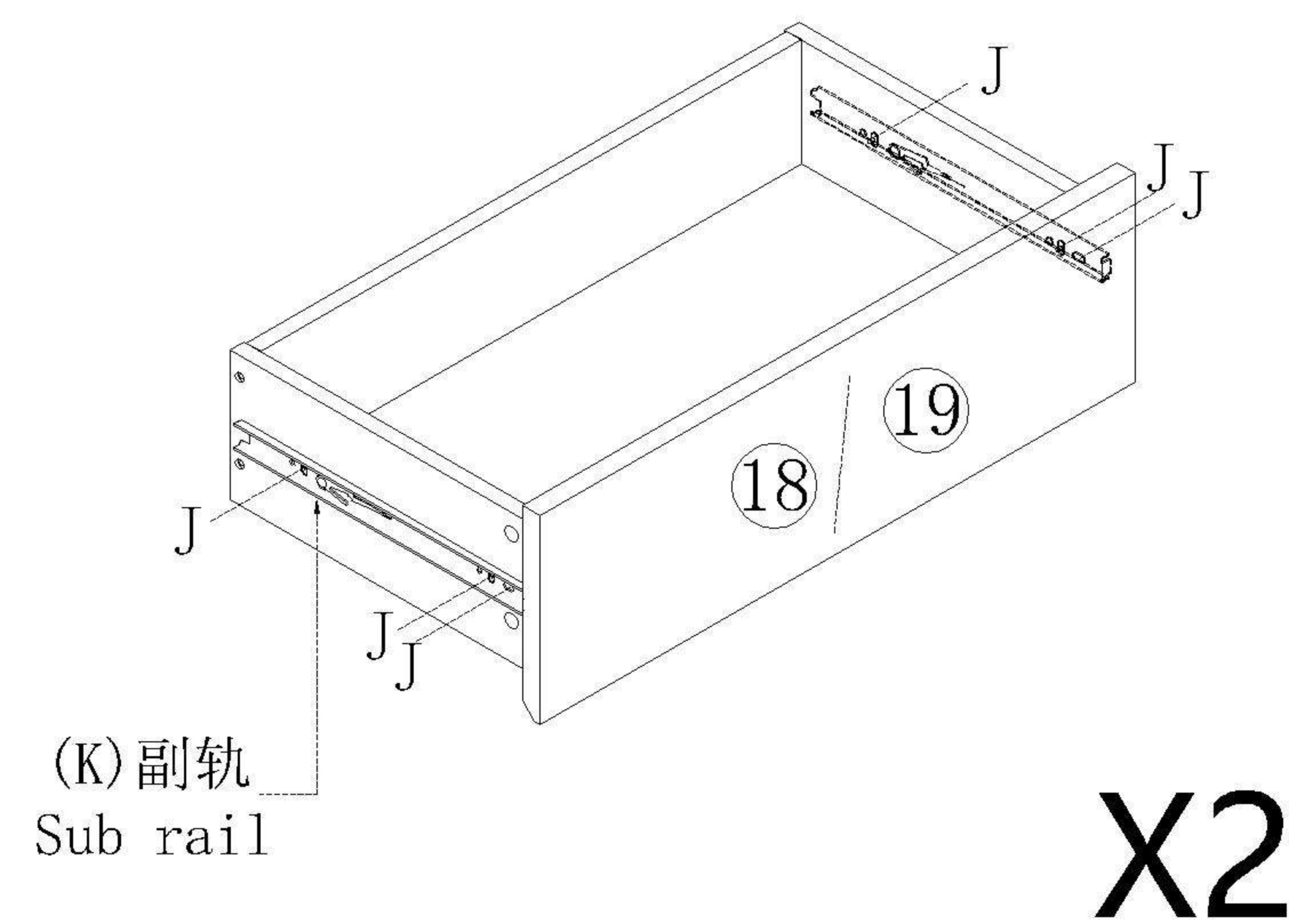
小二合一/two-in-one

- (F)*8
- (G)*8
- (H)*8
- (I)*8



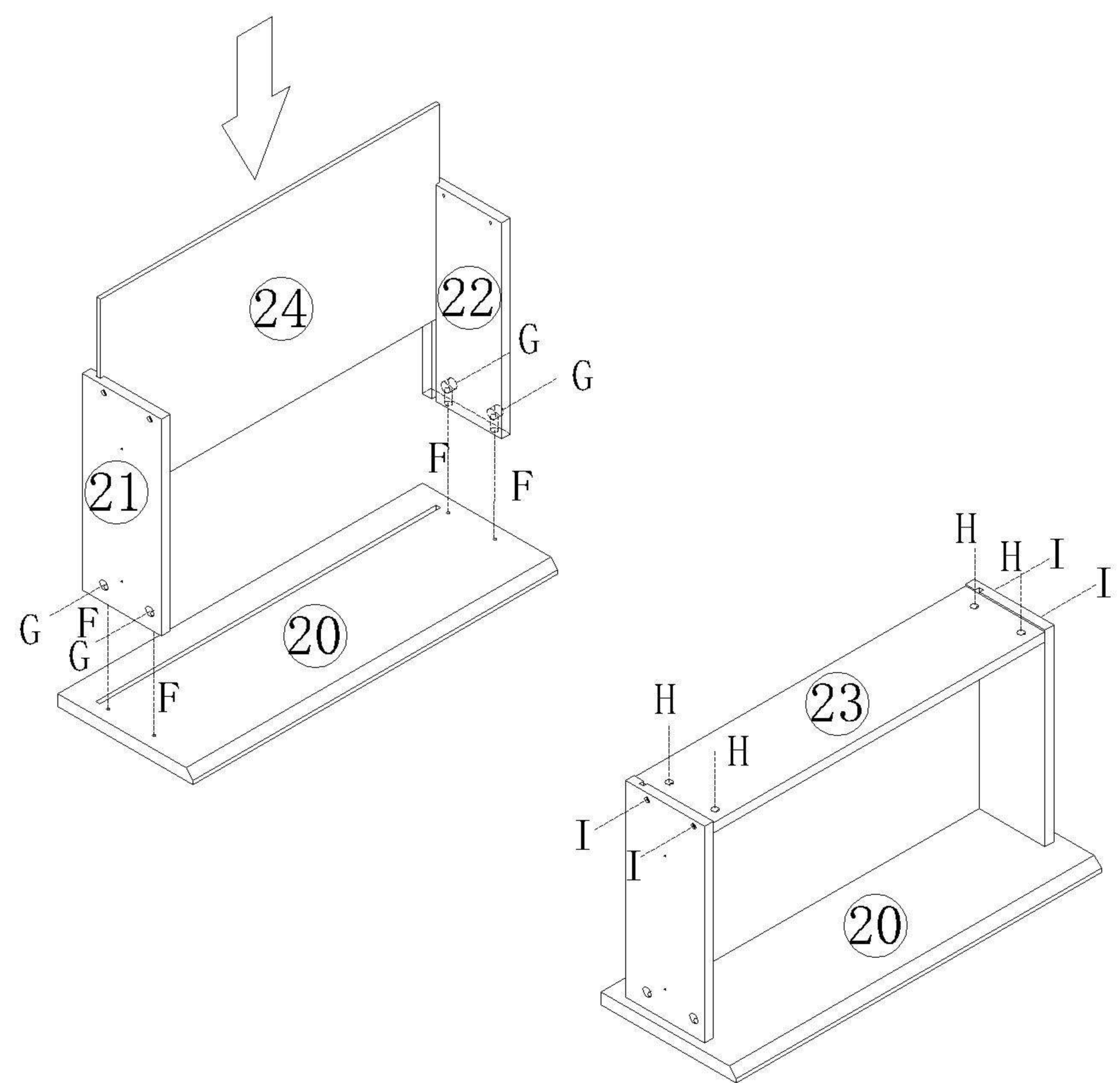
1

- (J)*12
- (K)*2



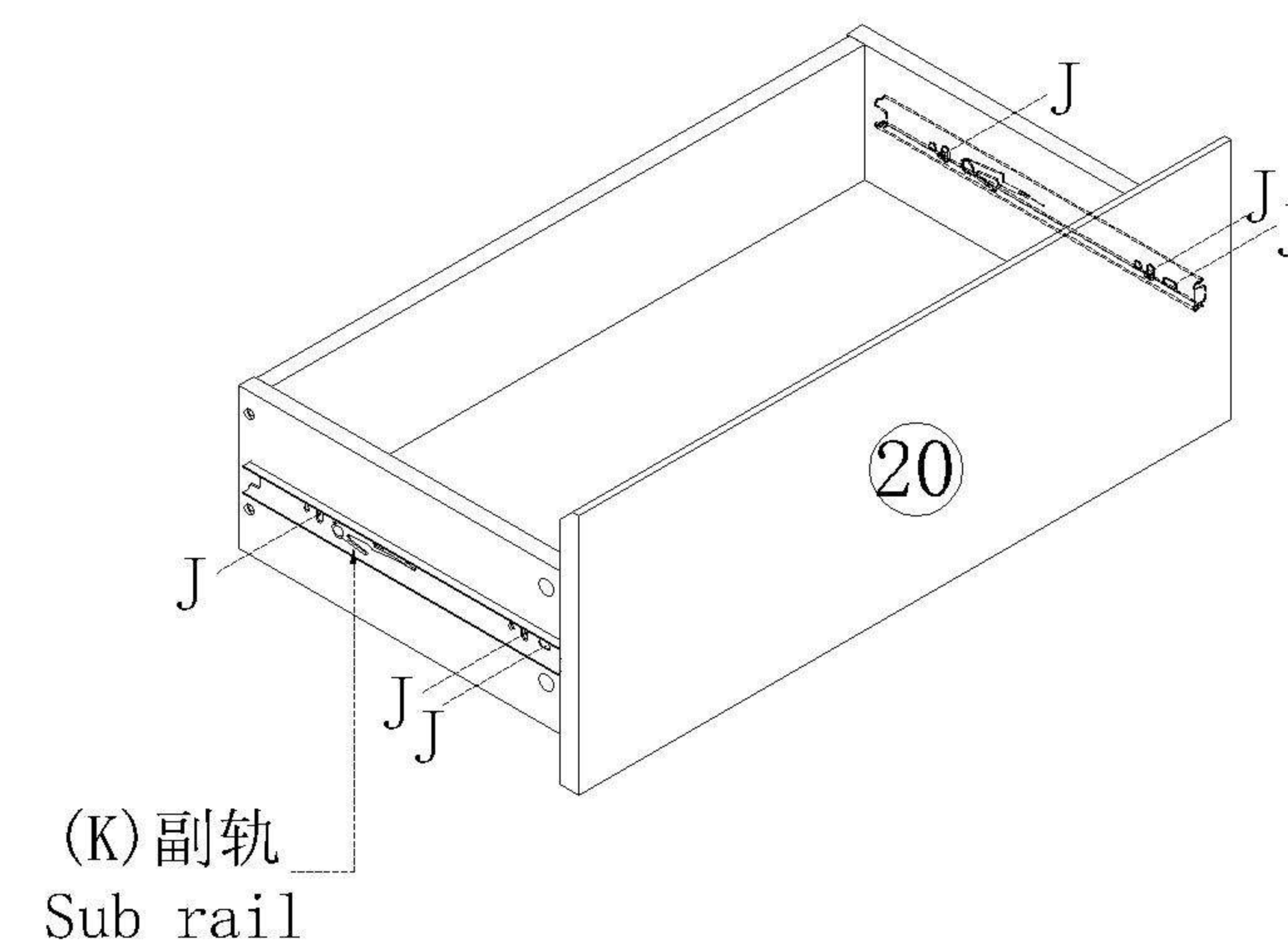
2

- (F)*4
- (G)*4
- (H)*4
- (I)*4



3

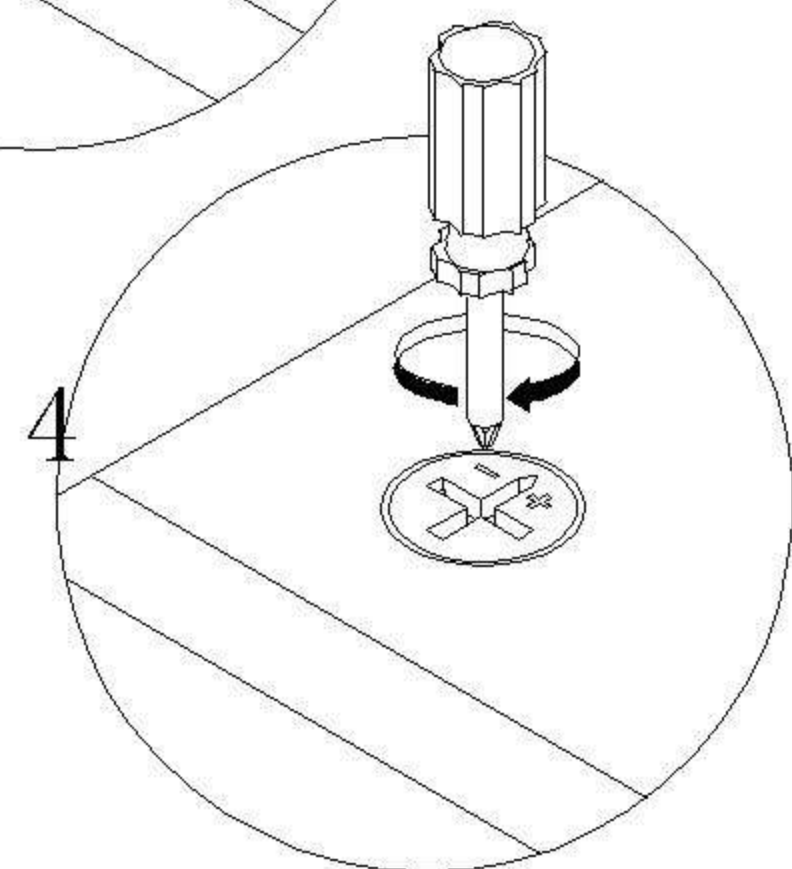
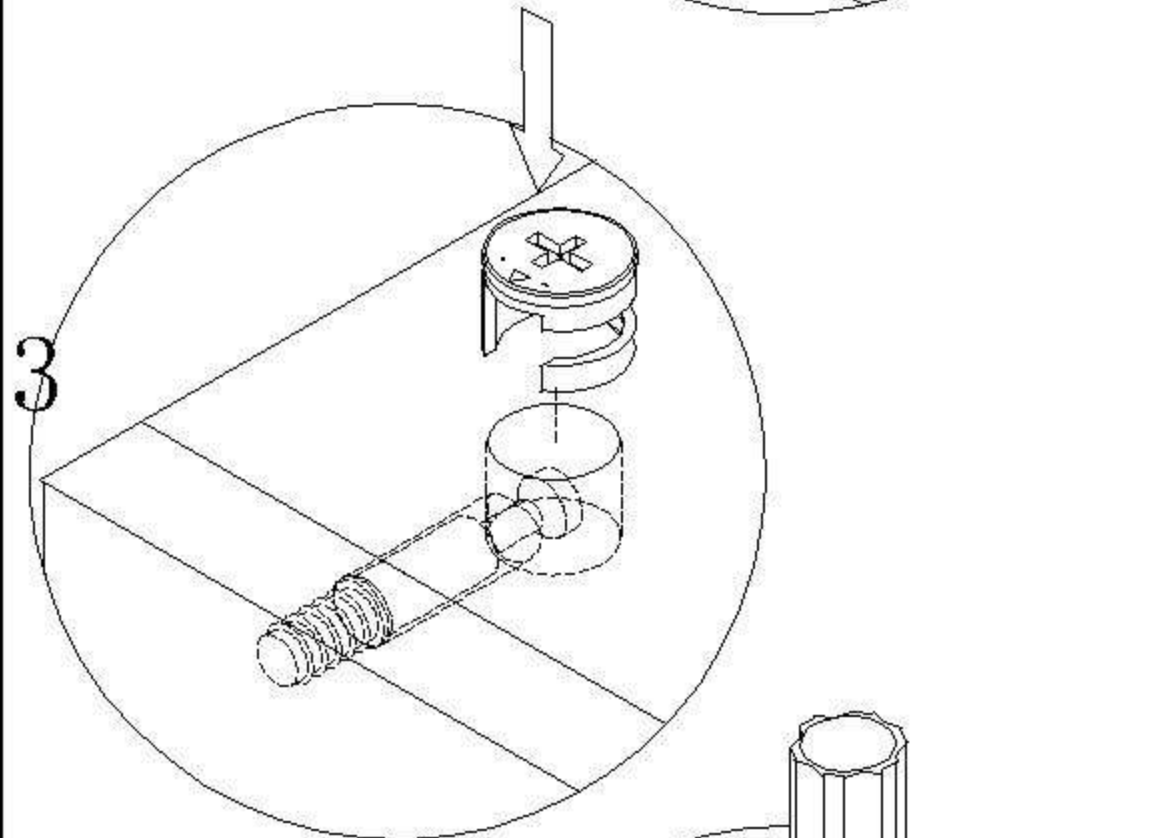
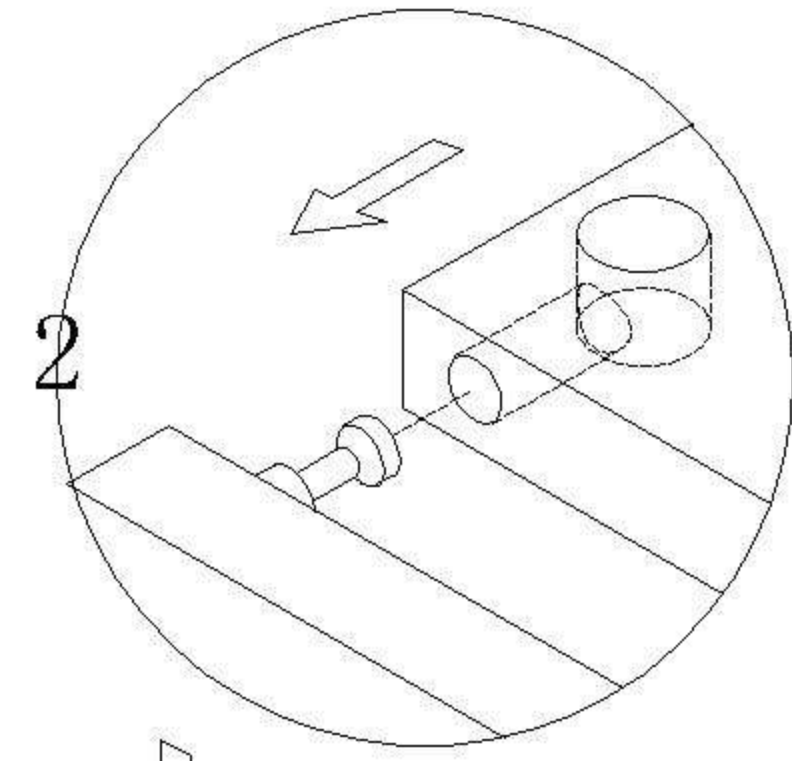
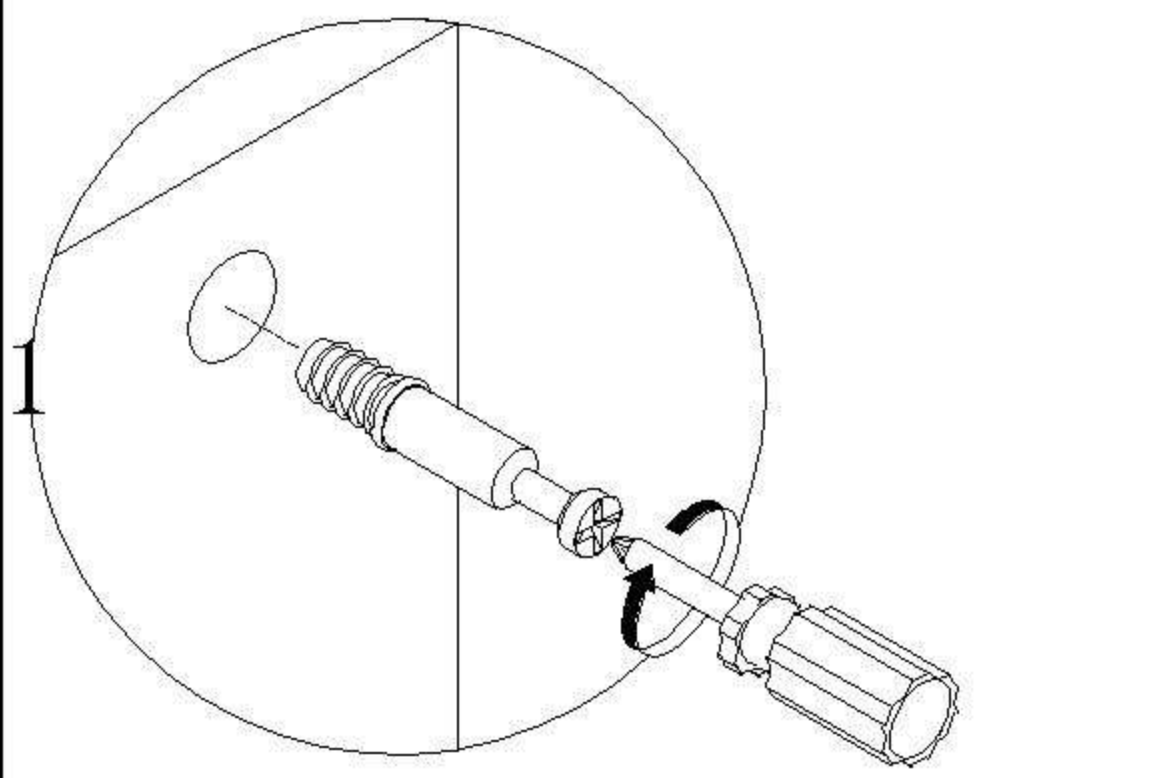
- (J)*6
- (K)*1



4

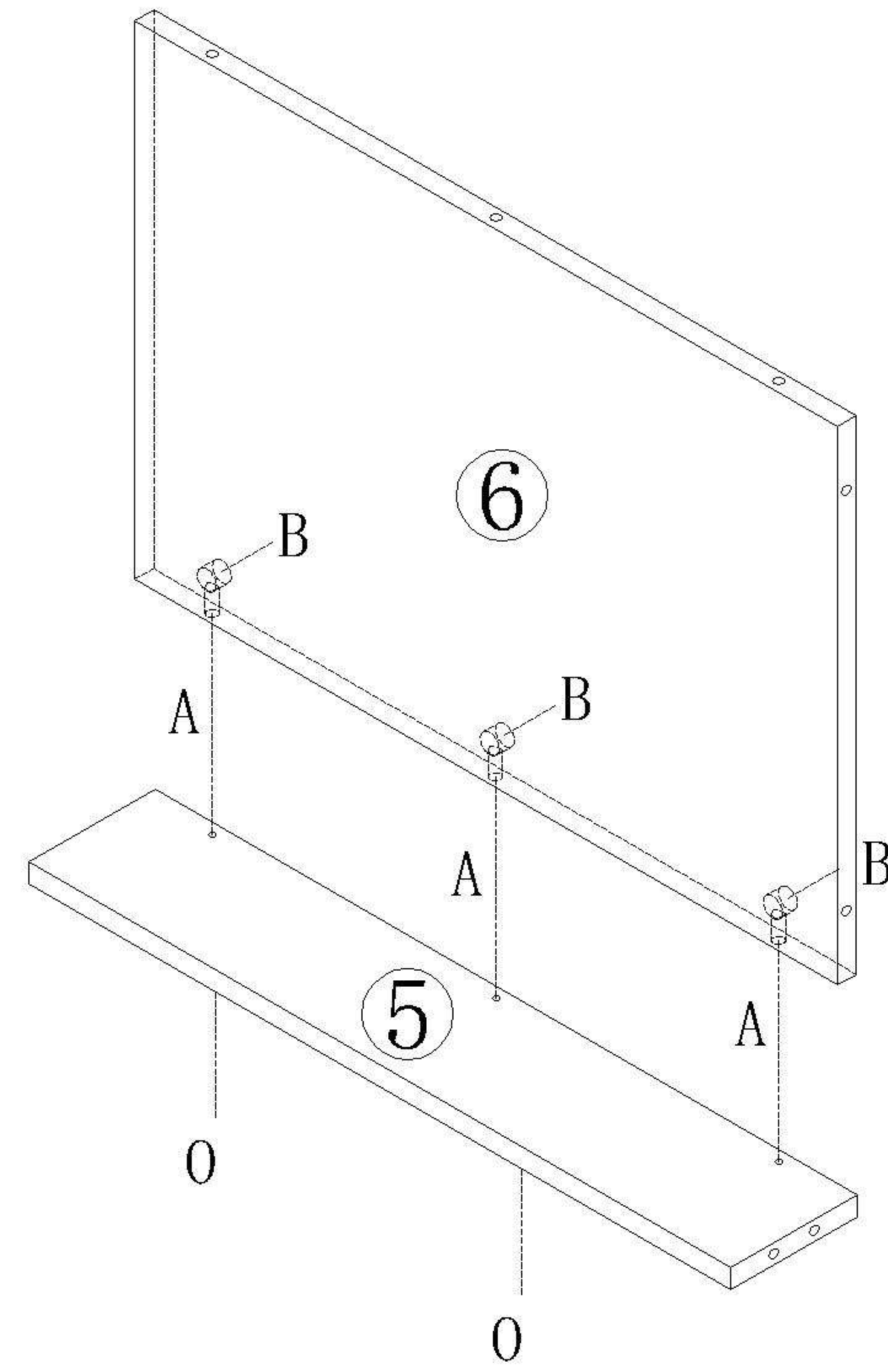
UM4L-B

安装方法/
Installation method

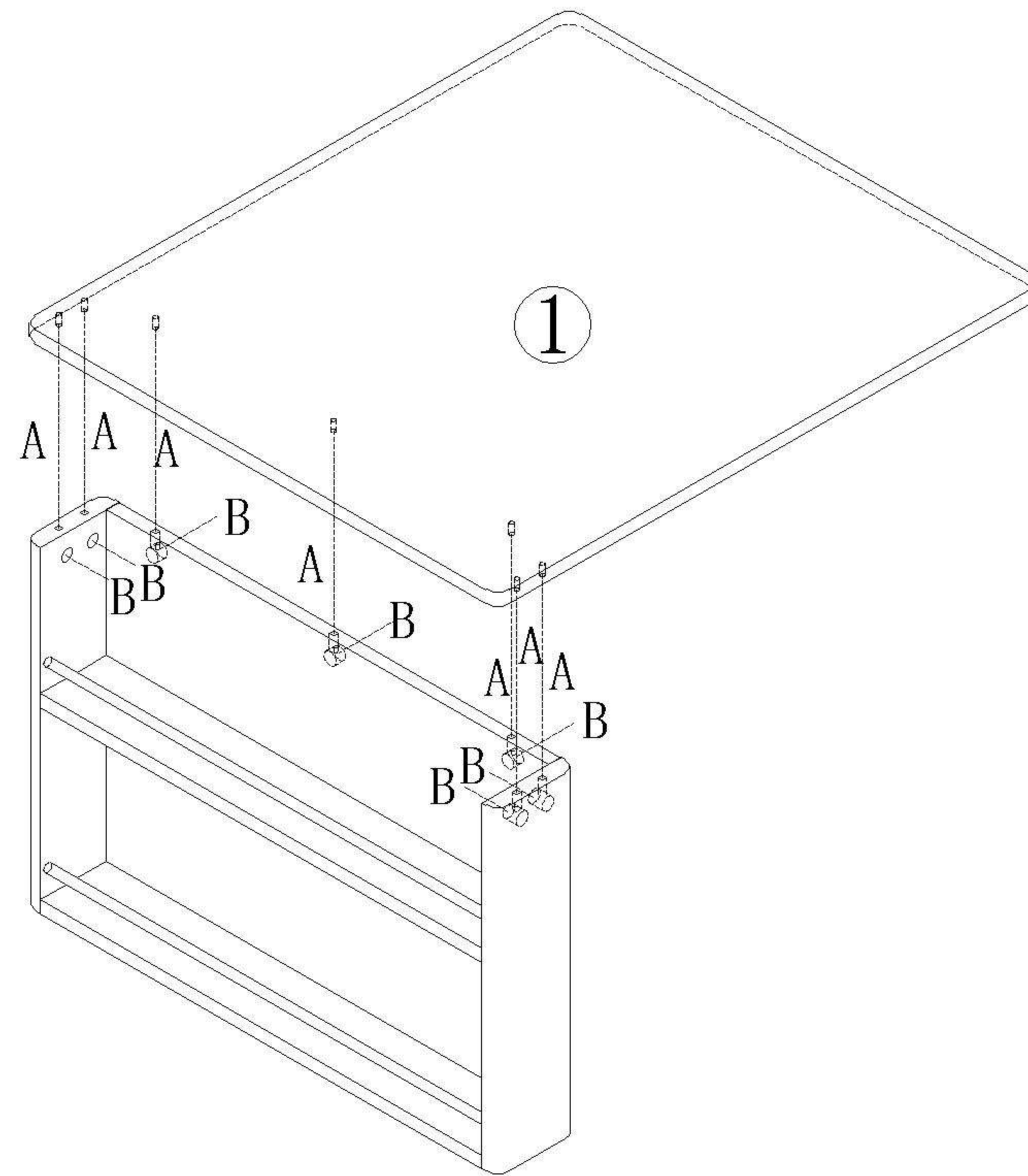


大二合一
two-in-one

- (A)*3
- (B)*3
- (O)*2

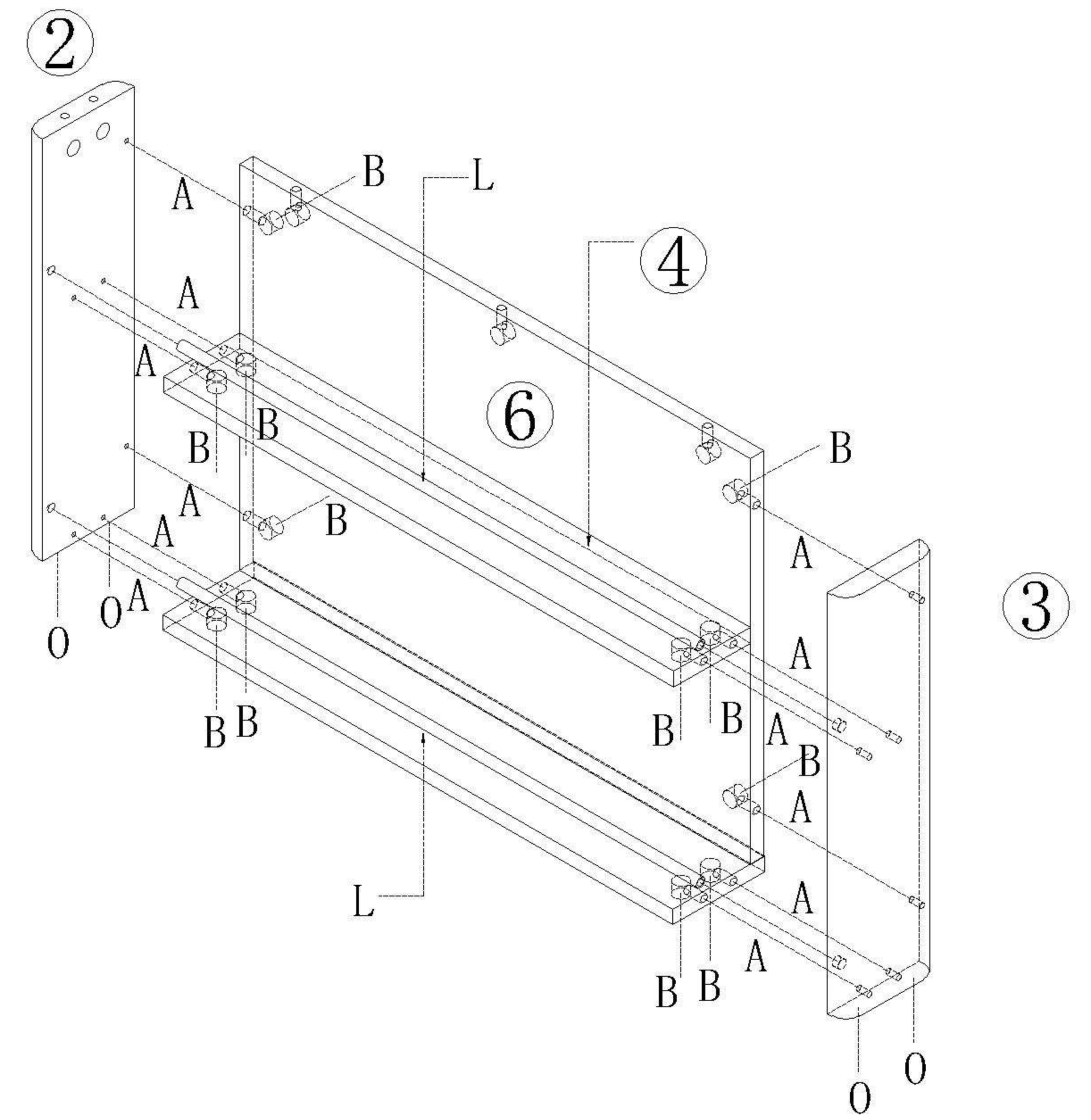


- (A)*7
- (B)*7



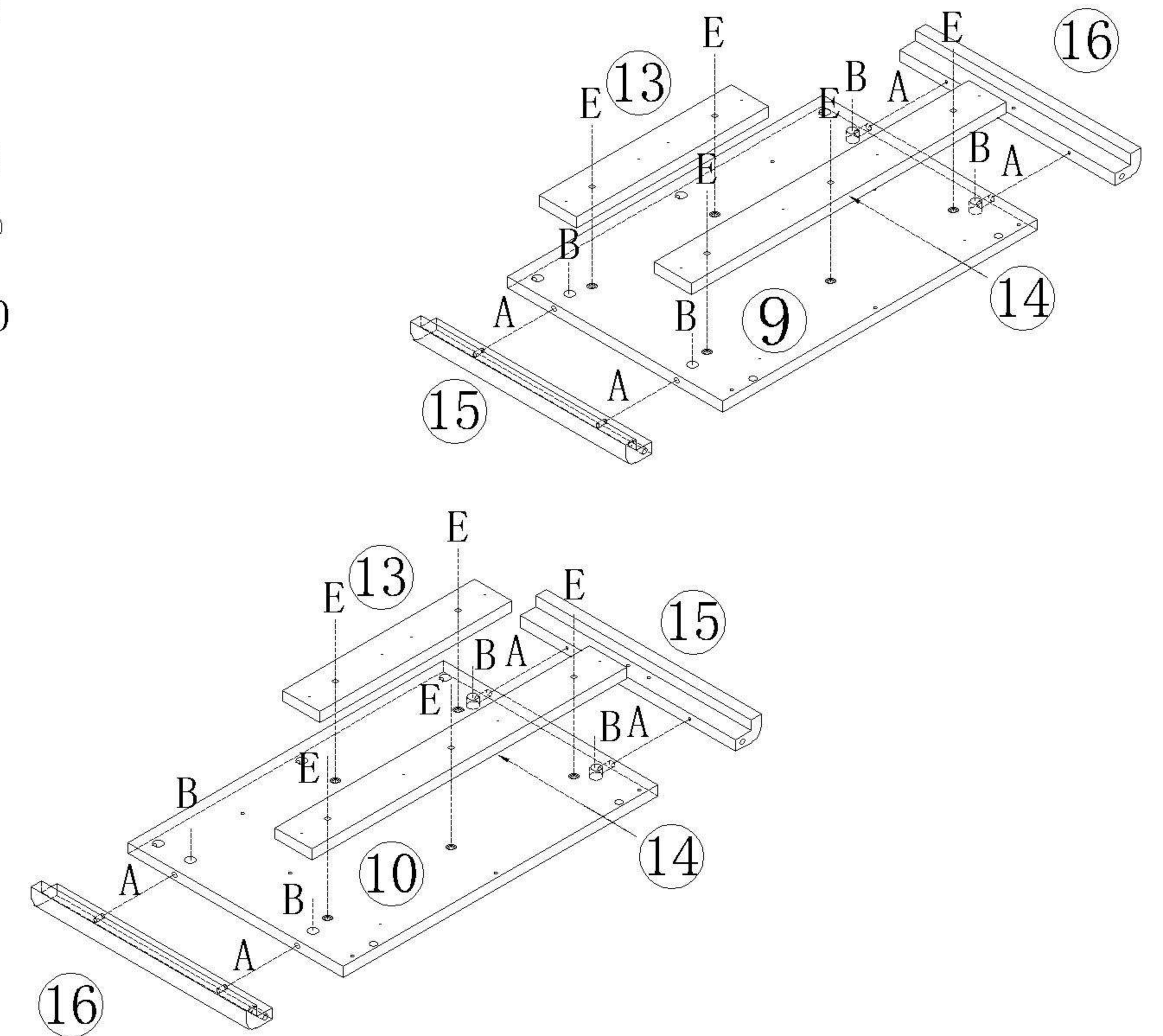
5

- (A)*12
- (B)*12
- (L)*2
- (O)*4



7

- (A)*8
- (B)*8
- (E)*10



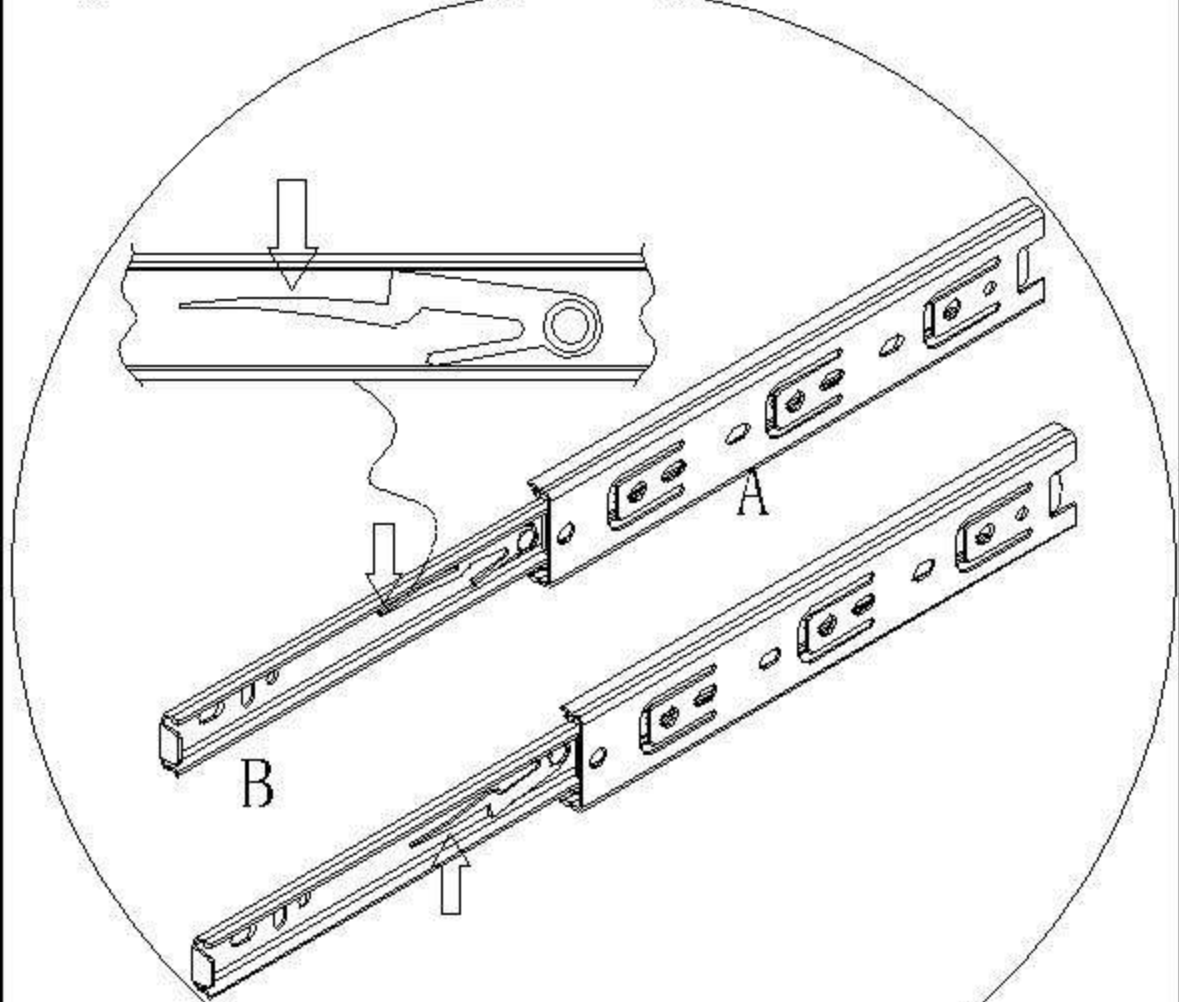
6

8

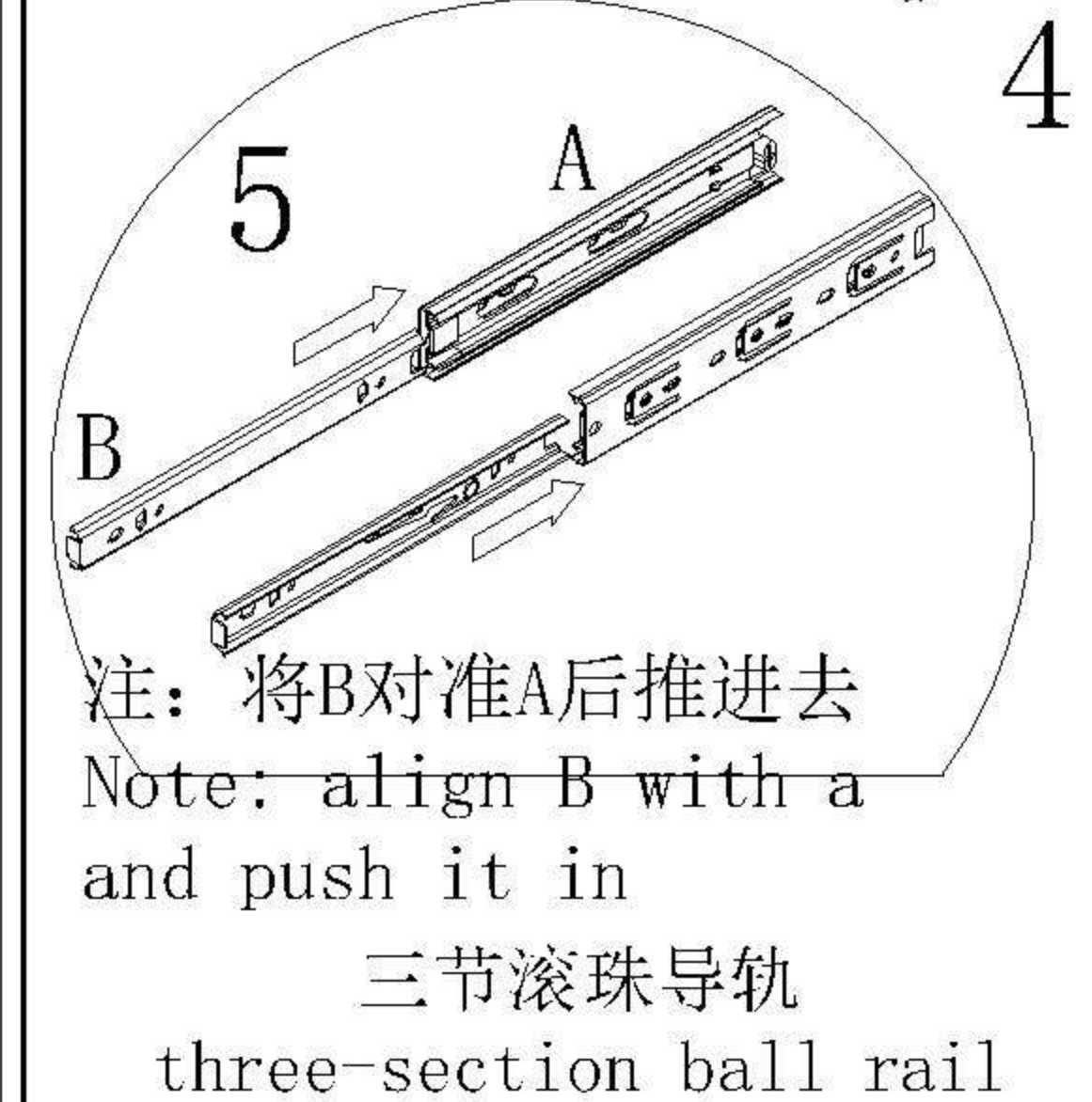
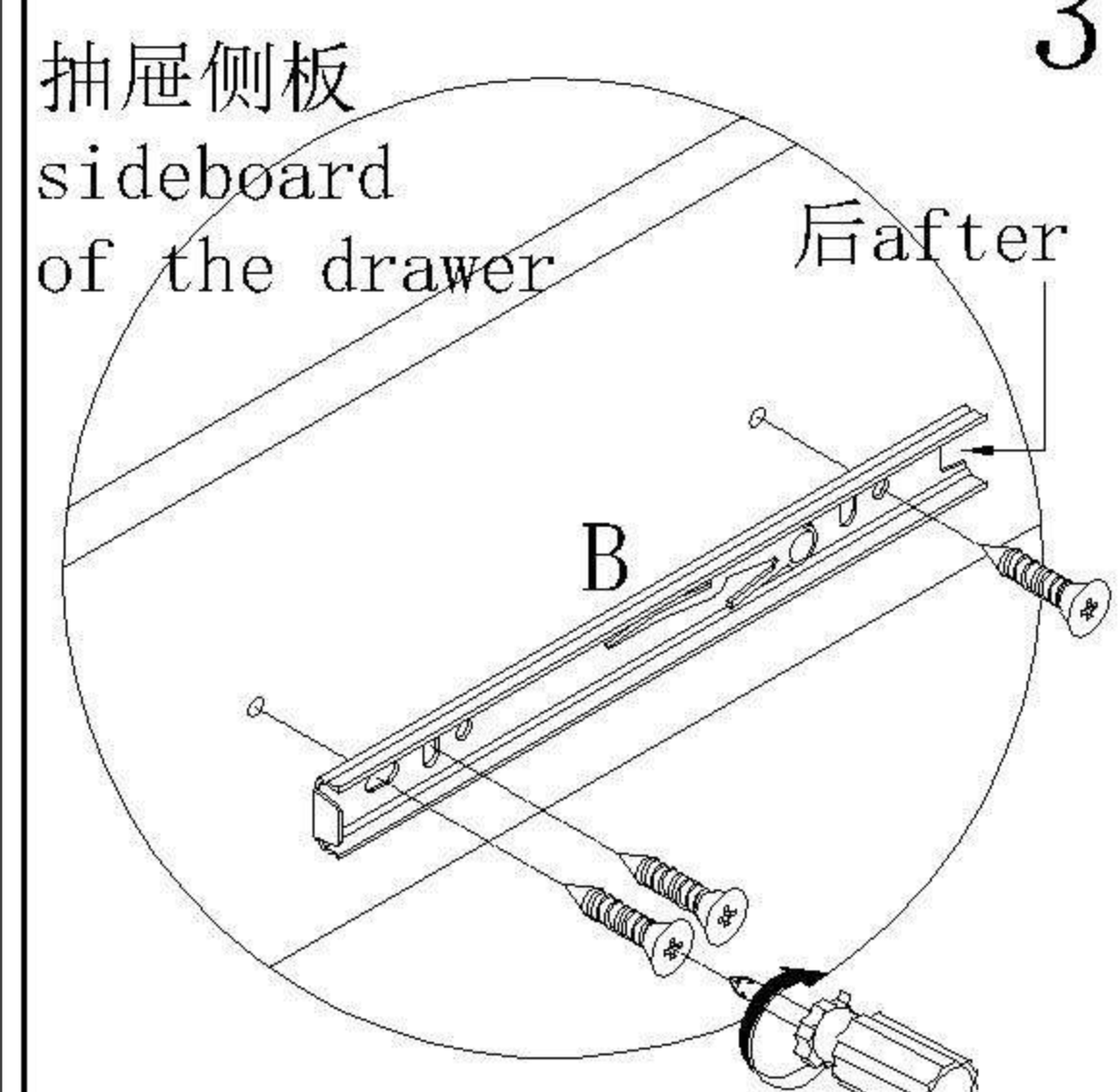
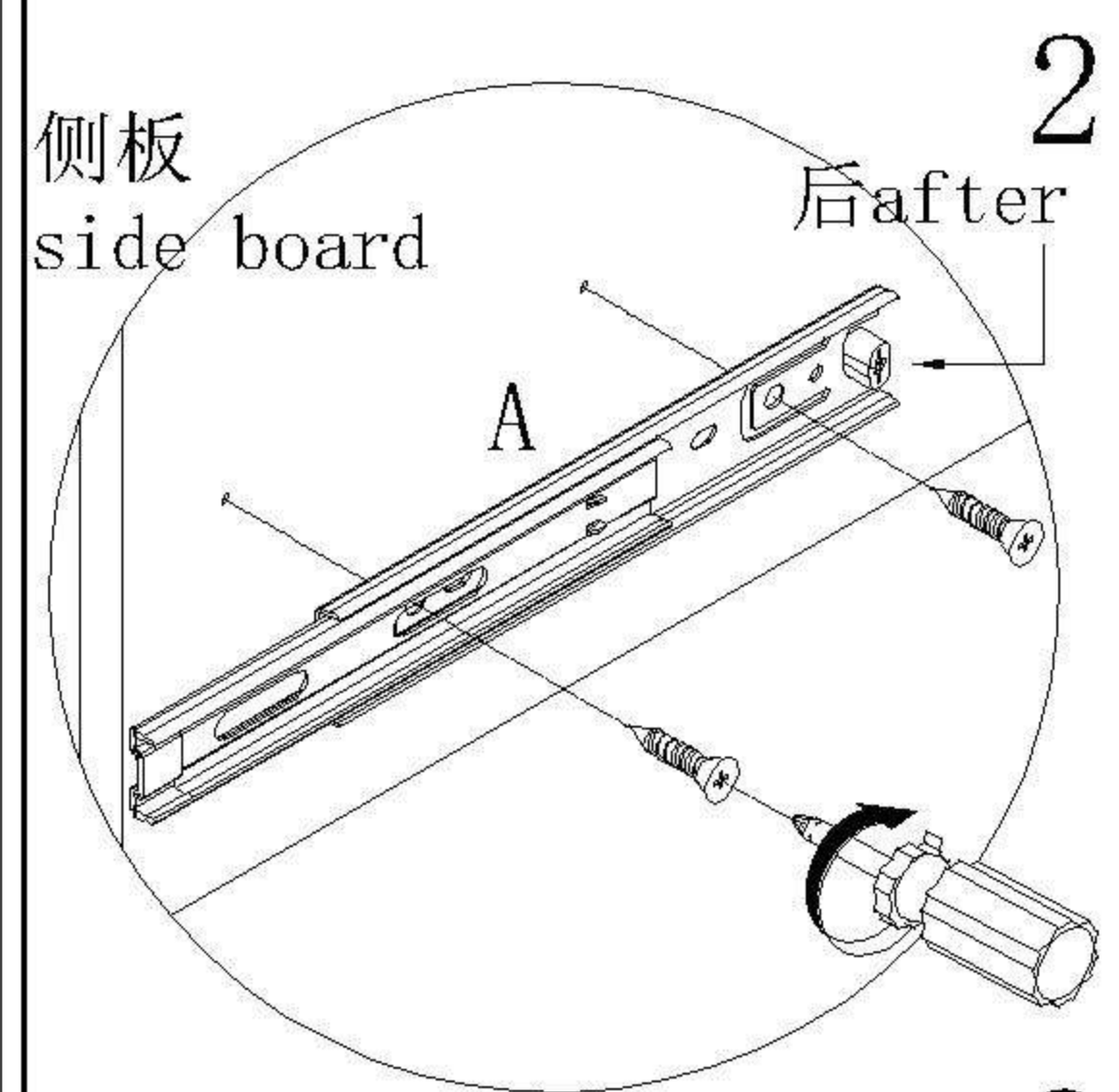
UM4L-B

安装方法/
Installation method

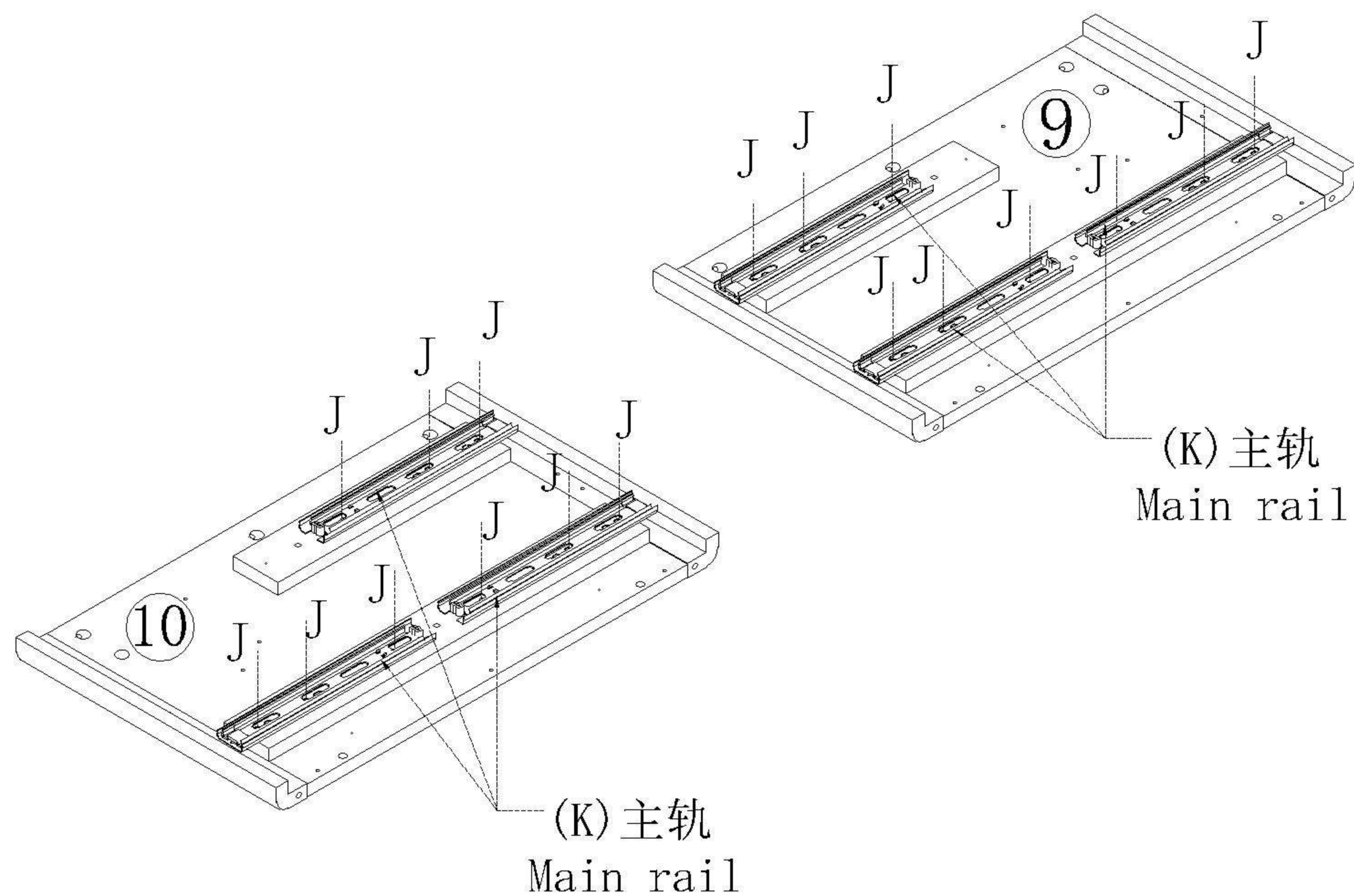
1
阀门开关(下压为开)
Valve switch
(press down to open)



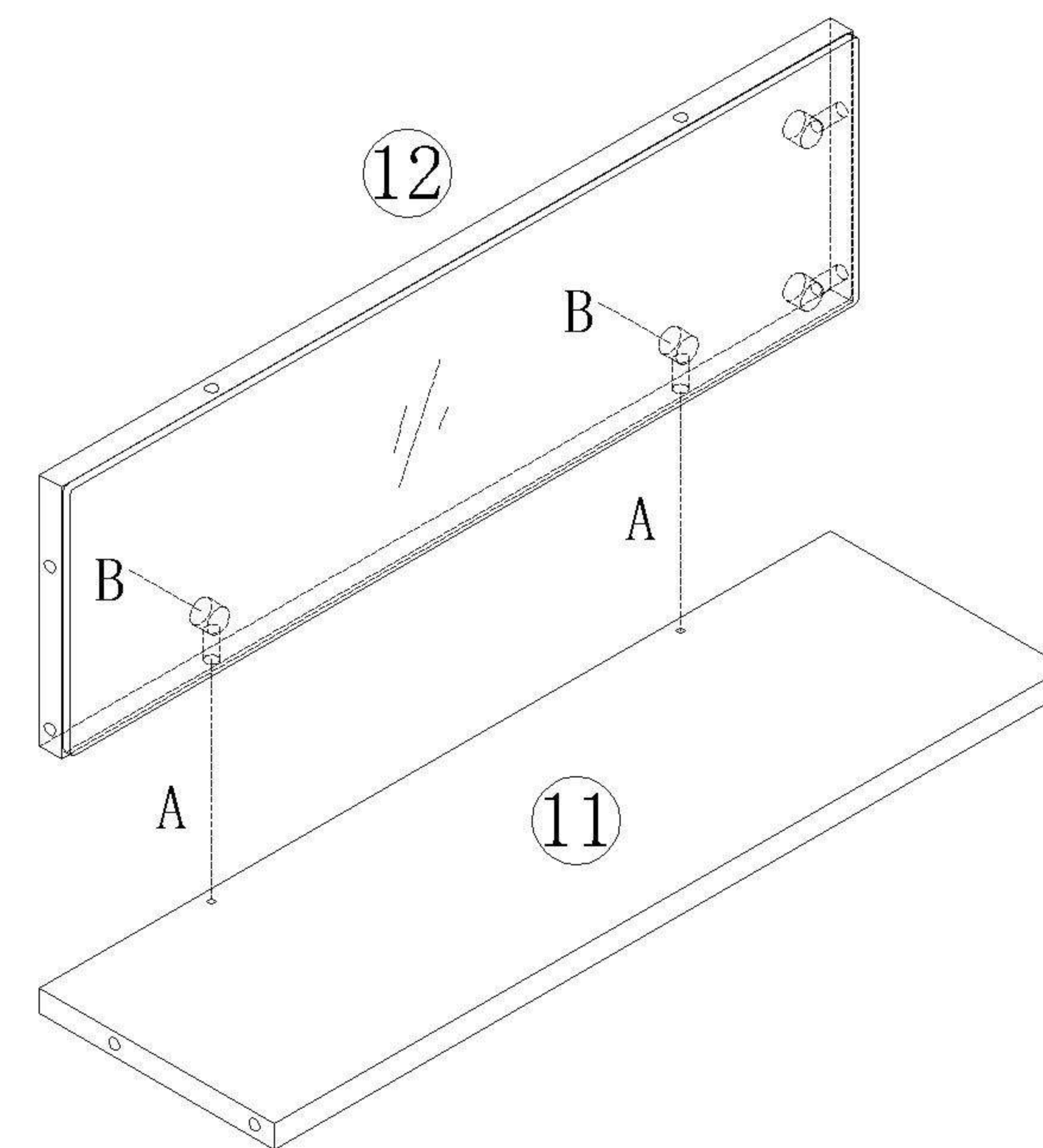
注: 先将A与B拆下来
Note: remove a and B first



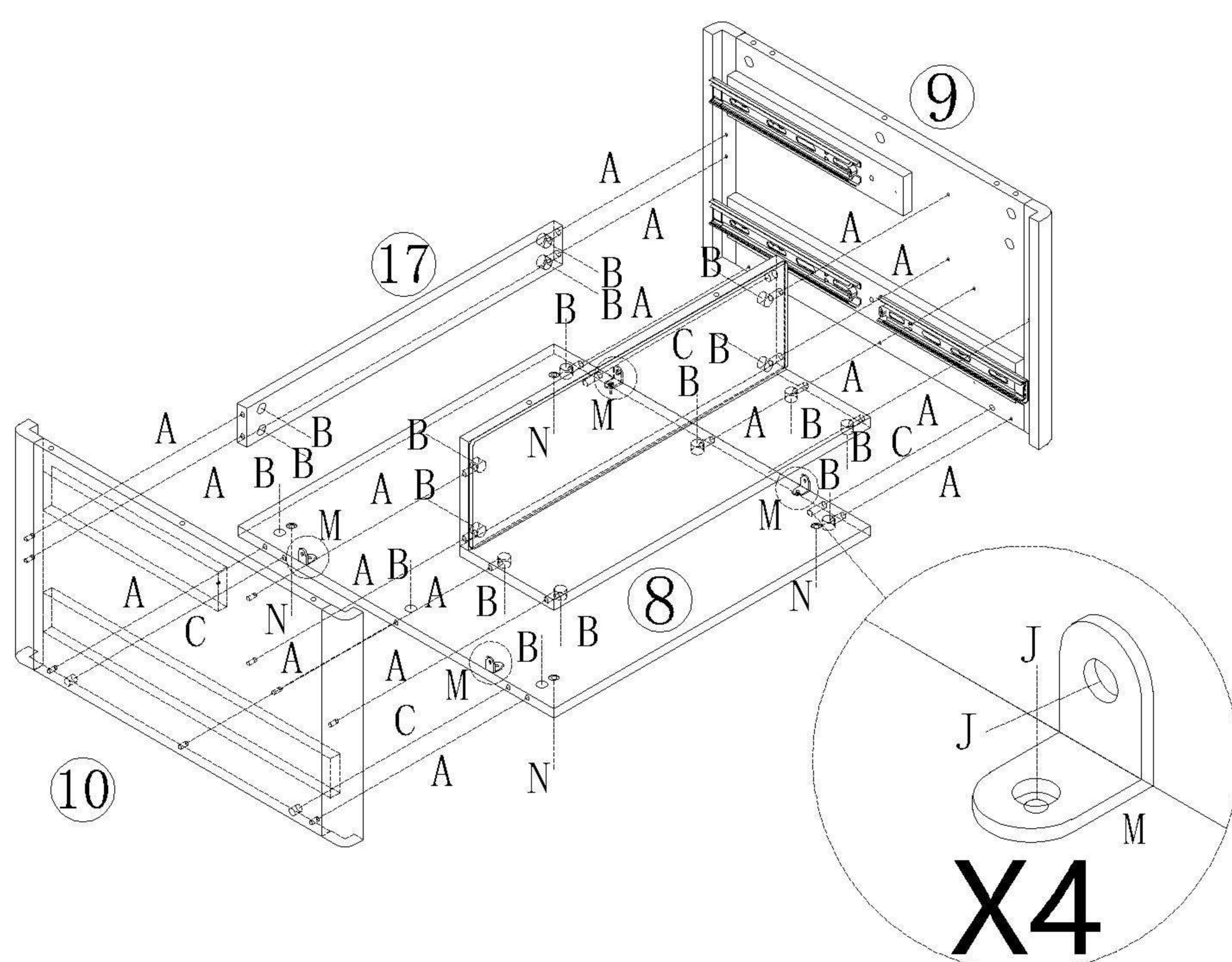
- (J)*18
- (K)*3



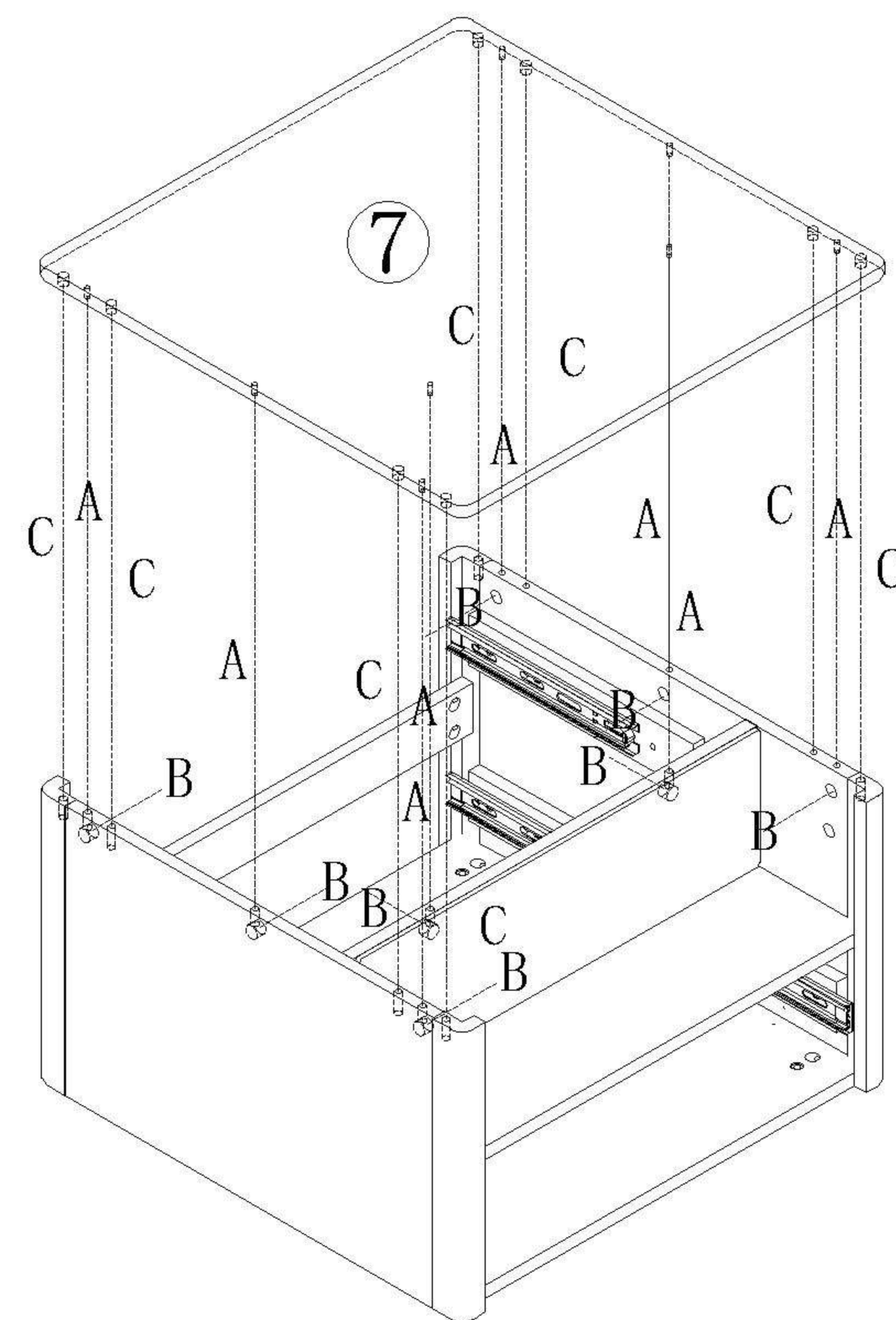
- (A)*2
- (B)*2



- (A)*18
- (B)*18
- (C)*4
- (J)*8
- (M)*4
- (N)*4



- (A)*8
- (B)*8
- (C)*8



10

12

UM4L-B

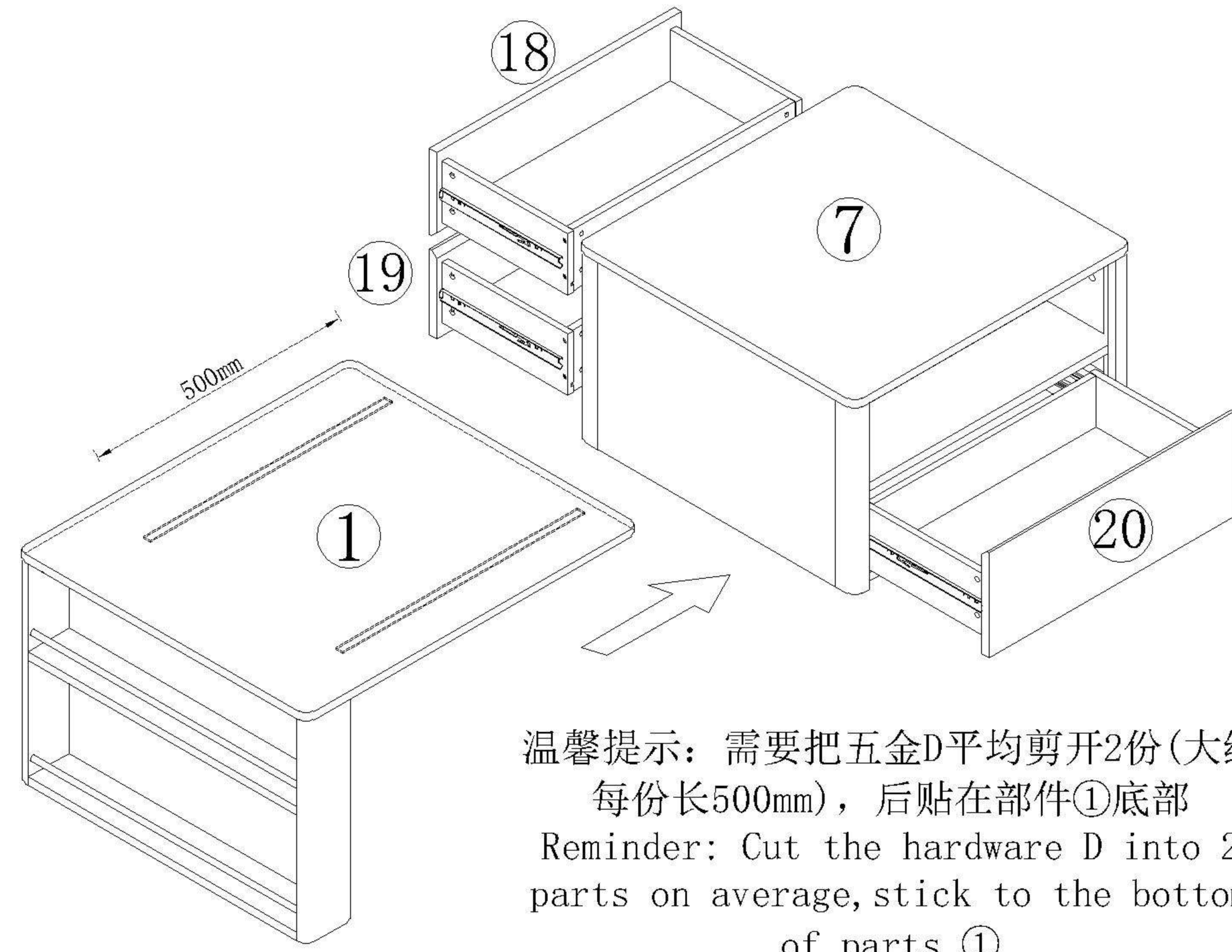
安装方法/
Installation method

(D)*2

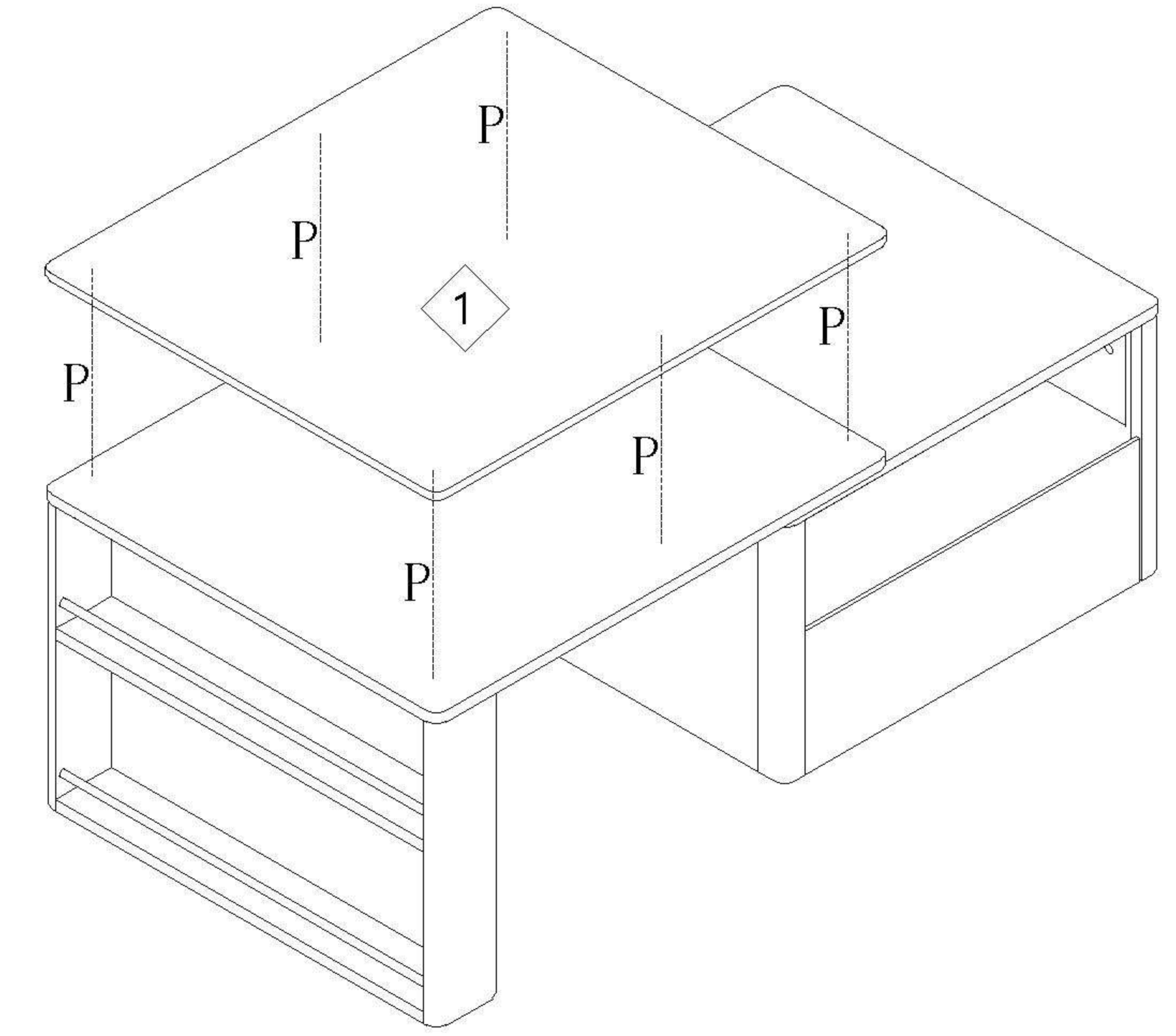
13

(P)*6

14

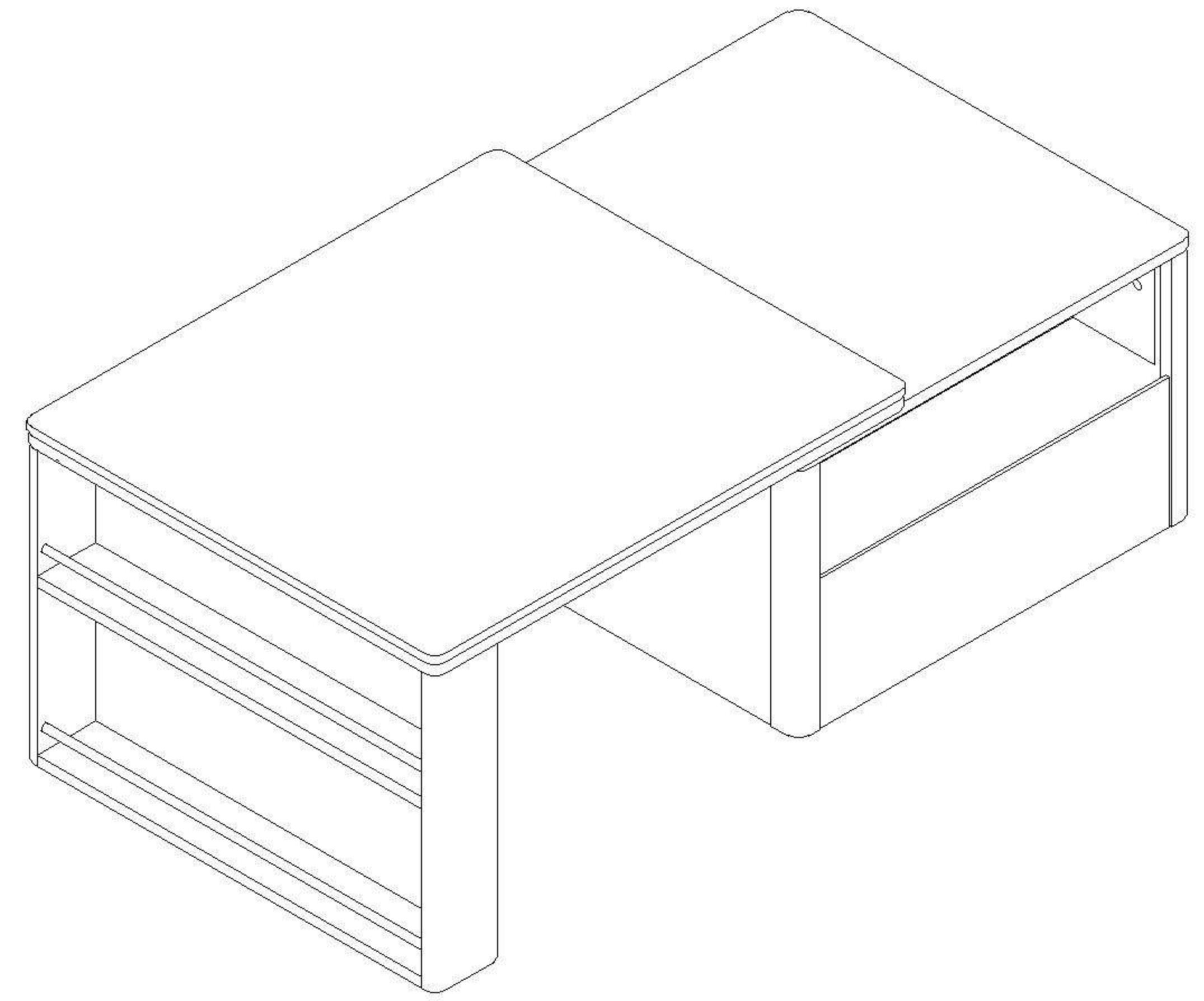


温馨提示：需要把五金D平均剪开2份(大约每份长500mm)，后贴在部件①底部
 Reminder: Cut the hardware D into 2 parts on average, stick to the bottom of parts ①



15

16



Installation is

► 安装完成
complete