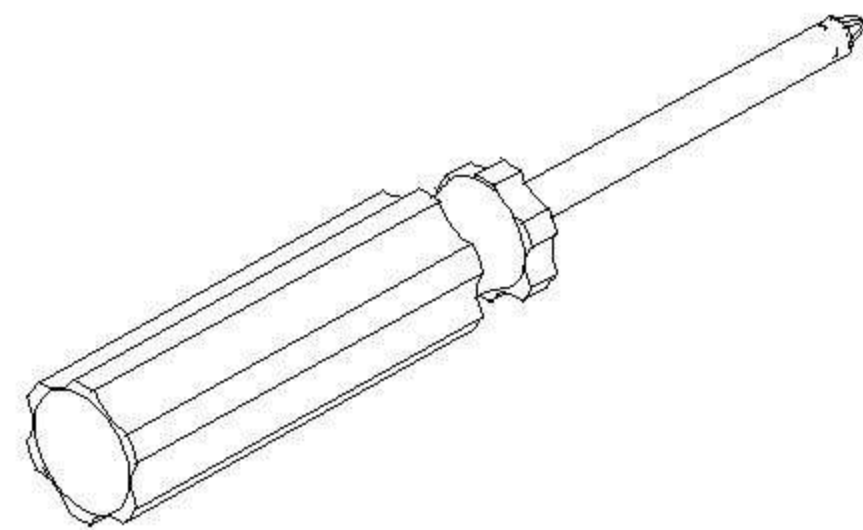
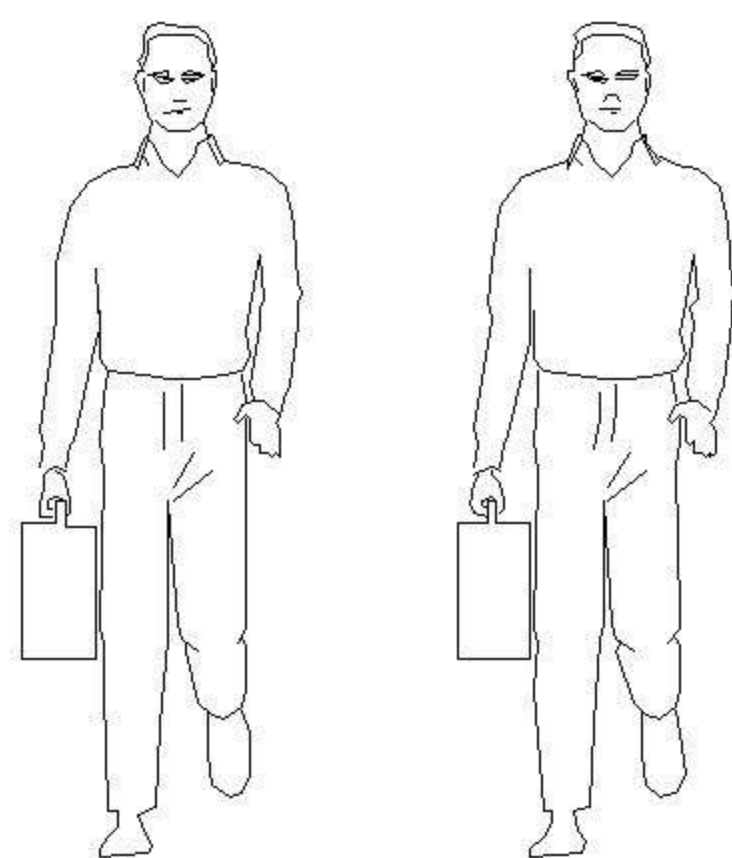


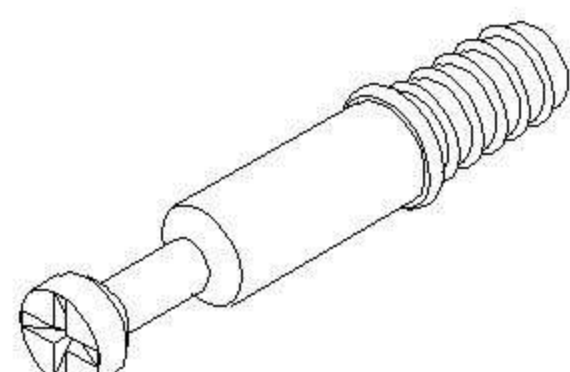
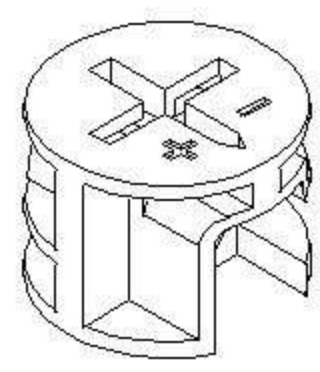
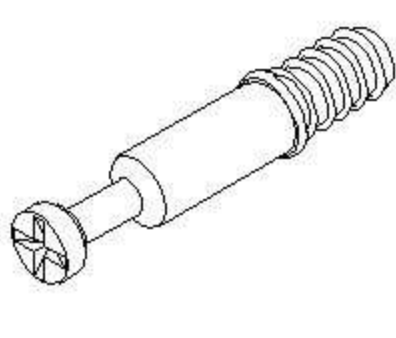
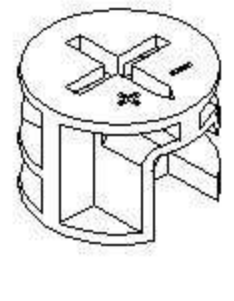
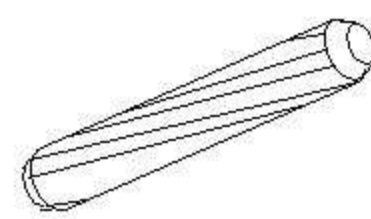
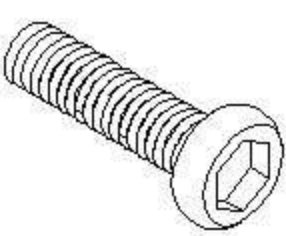
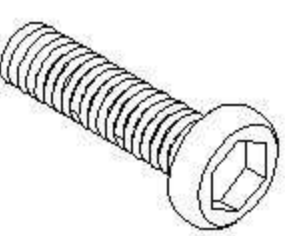
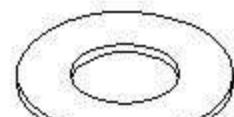
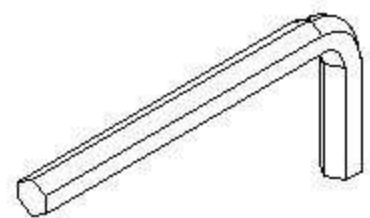
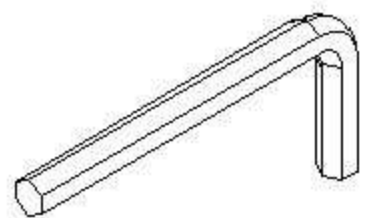
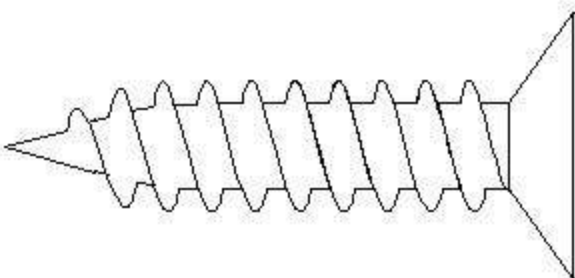
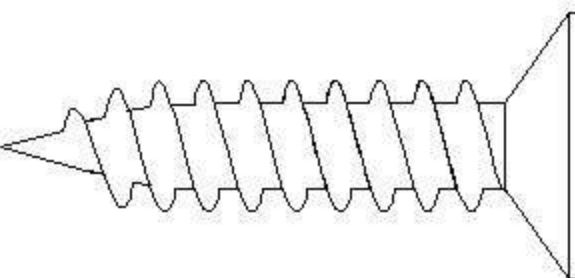
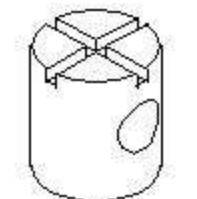
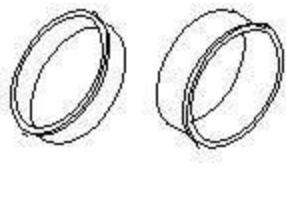
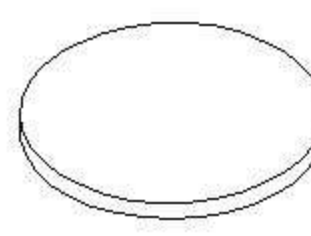
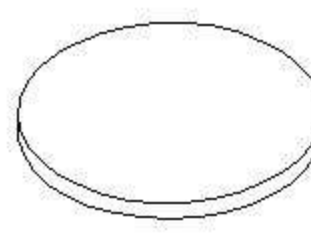
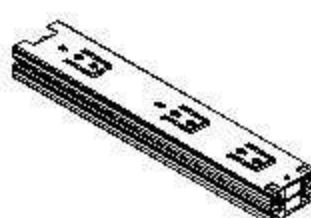
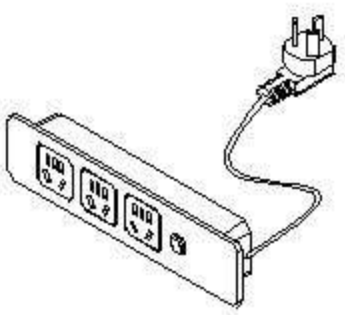
LINSY 林氏家居

五金表/Hardware list

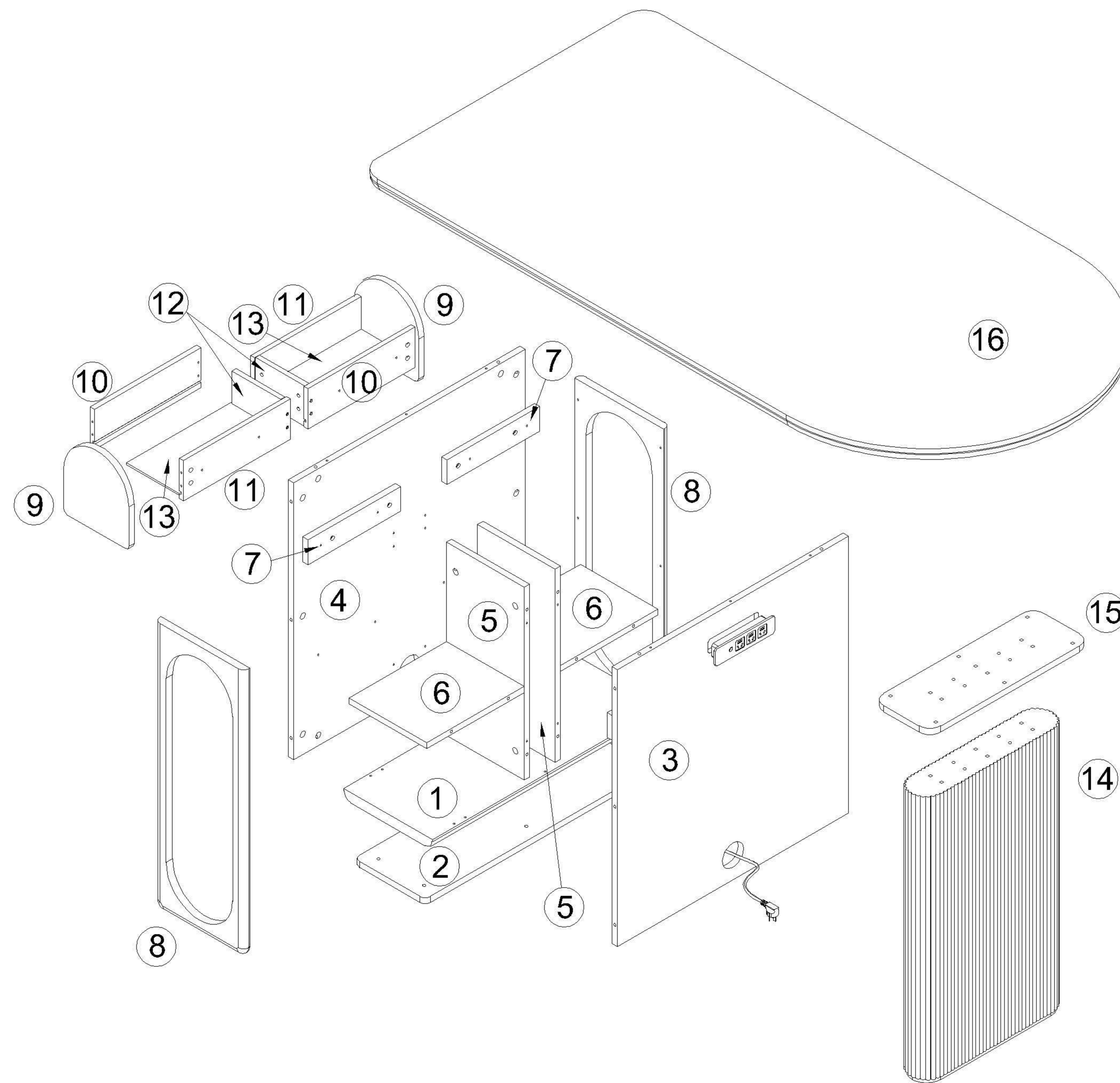
部件表/Parts List

安装示意图/Assembly Instruction

产品名称 Model NO.	1.4m储物餐桌
产品型号 Product Model	UD2R-A
产品规格 Specification	(1400*800*753) mm
安装工具 Tool	安装人数 Installer
	

 (A)*40 大三合一螺杆(粗牙)L=35mm Big three-in-one screw (coarse teeth)	 (B)*40 大三合一锁饼 Big triple lock cake	 (C)*9 小三合一螺杆(粗牙)L=32mm Small three-in-one screw (coarse teeth)	 (D)*9 小三合一锁饼 Small three-in-1 lock cake
 (E)*26 木塞-Ø8*30 Wooden stopper -Ø8*30	 (F)*15 M6平头内六角螺杆6*20 M6 flat head hexagon screw 6*20	 (G)*12 M8平头内六角螺杆8*35 M8 flat head hexagon screw 8*35	 (H)*12 平垫Ø8*20 Flat pad Ø8*20
 (I)*1 4mm内六角扳手 4mm Allen wrench	 (J)*1 5mm内六角扳手 5mm Allen wrench	 (K)*22 自攻螺丝 3.5*12 Self-tapping screw	 (L)*10 自攻螺丝 3.5*40 Self-tapping screw
 (M)*9 塑料螺母 Plastic nut	 (N)*2 穿线盒 Threading box	 (O)*30 三合一封口片(奶白色) Three-in-one sealer (Milk white color)	 (P)*10 三合一封口片(布纹哑光) Three-in-one sealer (Cloth pattern matte)
 (Q)*2 10寸黑色三节导轨 10 inch black three section guideway	 (R)*1 黑色公牛插座 Black Bull outlet		

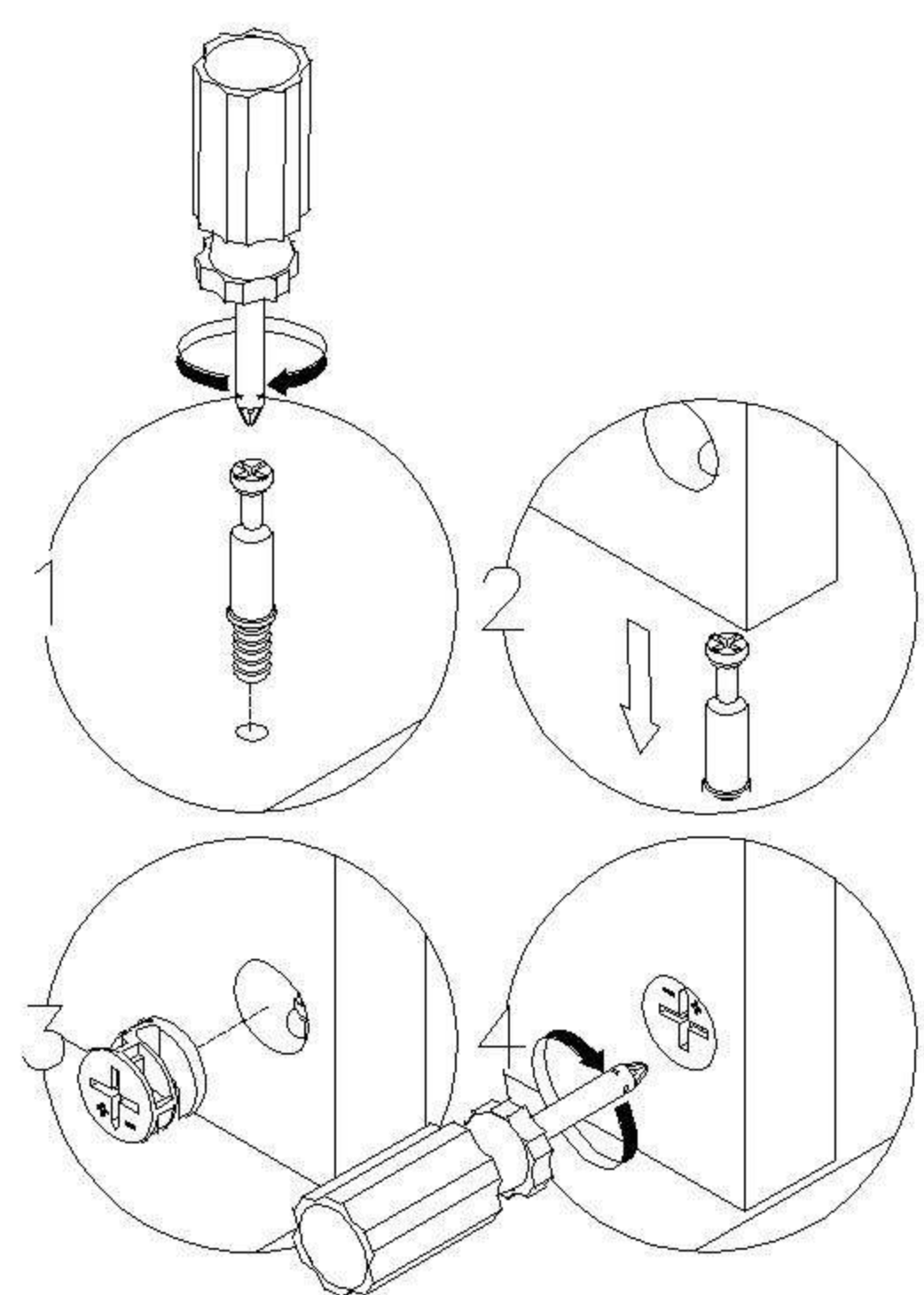
编号NO.	名称Name	规格 Specification	数量QTY	材质Material
①	底板 Bottom board	650*250*25mm	1	纤维板 Fiberboard
②	底座+脚钉 Base+foot nails	640*200*18mm	1	纤维板+塑料 Fiber board+plastic
③	内侧板 Inner side panel	674*650*15mm	1	纤维板 Fiberboard
④	外侧板 outer panel	674*650*15mm	1	纤维板 Fiberboard
⑤	隔板 partition	470*218*15mm	2	纤维板 Fiberboard
⑥	层板 sheet	273*218*15mm	2	纤维板 Fiberboard
⑦	滑轨侧板 Sliding rail side panel	260*60*15mm	4	纤维板 Fiberboard
⑧	装饰框 Decorative frame	701*253*18mm	2	纤维板 Fiberboard
⑨	抽面 ExtrAEtion	199*184*43mm	2	榉木 Beech wood
⑩	左抽侧 Left pull side	300*98*12mm	2	纤维板 Fiberboard
⑪	右抽侧 Right side draw	300*98*12mm	2	纤维板 Fiberboard
⑫	抽后板 Draw bAEk board	138*98*12mm	2	纤维板 Fiberboard
⑬	抽底 Drawer Bottom panel	297*148*5mm	2	纤维板 Fiberboard
⑭	腿+脚钉 Leg+Foot Nails	702*400*90mm	1	纤维板+塑料 Fiber board+plastic
⑮	连接板 Connecting plate	450*160*15mm	1	纤维板 Fiberboard
⑯	台面组立 Table assembly	1400*800*36mm	1	纤维板+石材 Fiberboard+Stone


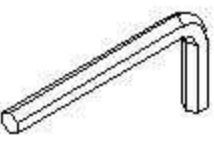


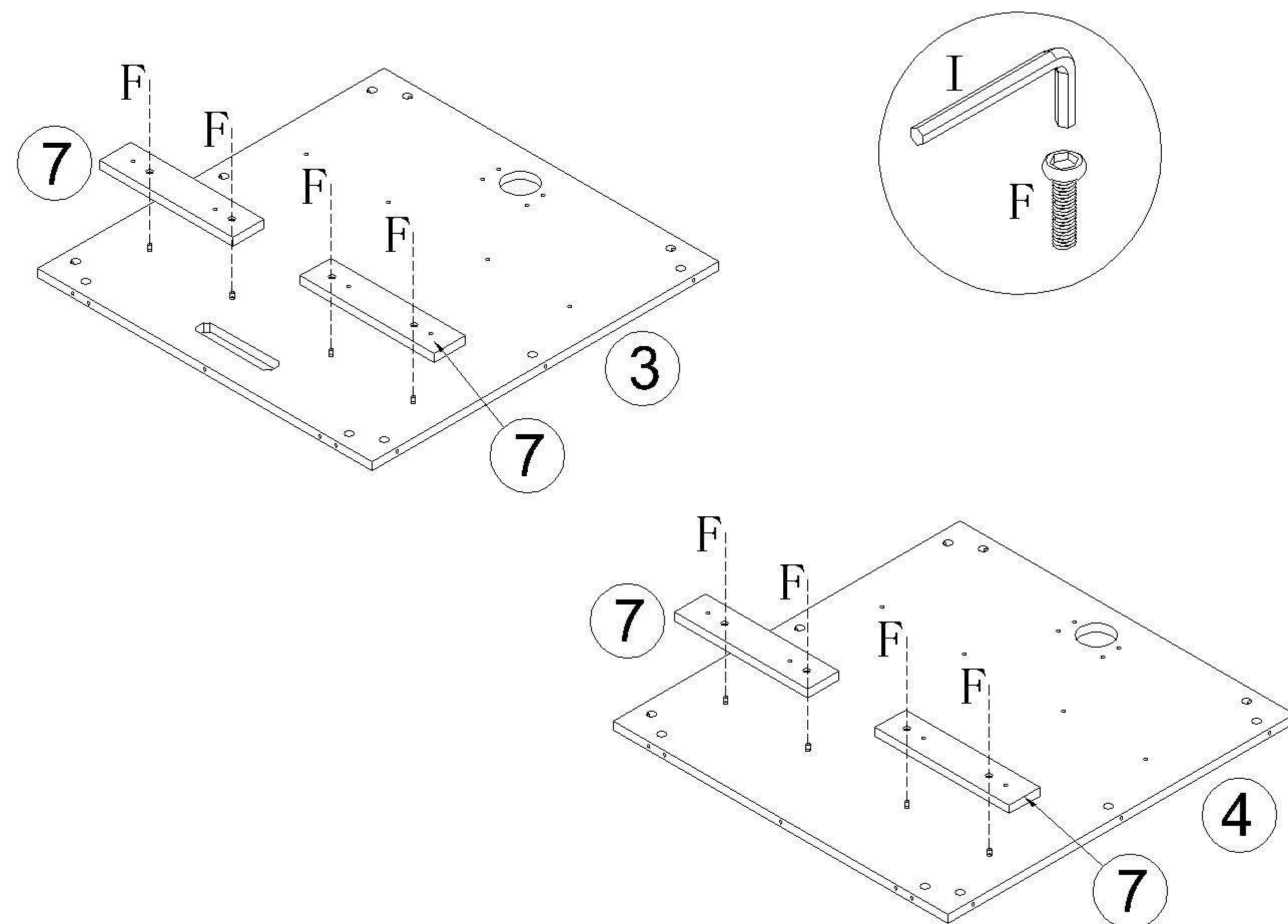
编号NO.	名称Name
①	底板 Bottom board
②	底座+脚钉 Base+foot nails
③	内侧板 Inner side panel
④	外侧板 outer panel
⑤	隔板 partition
⑥	层板 sheet
⑦	滑轨侧板 Sliding rail side panel
⑧	装饰框 Decorative frame
⑨	抽面 ExtrAEtion
⑩	左抽侧 Left pull side
⑪	右抽侧 Right side draw
⑫	抽后板 Draw bAEk board
⑬	抽底 Drawer Bottom panel
⑭	腿+脚钉 Leg+Foot Nails
⑮	连接板 Connecting plate
⑯	台面组立 Table assembly



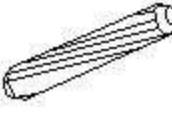


UD2R-A 1.4m储物餐桌

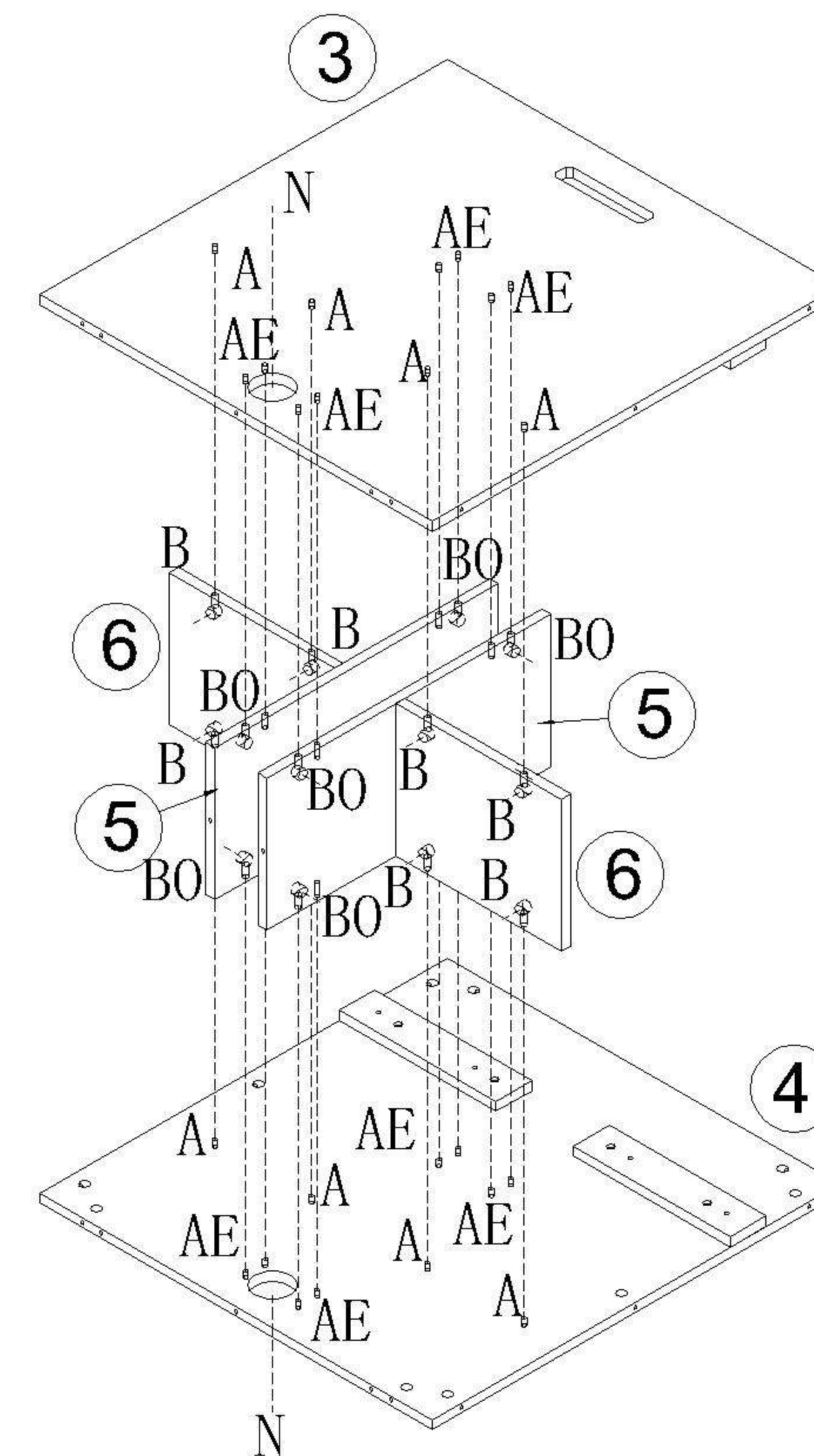
安装方法/
Installation method




-  (F)*8
-  (I)*1

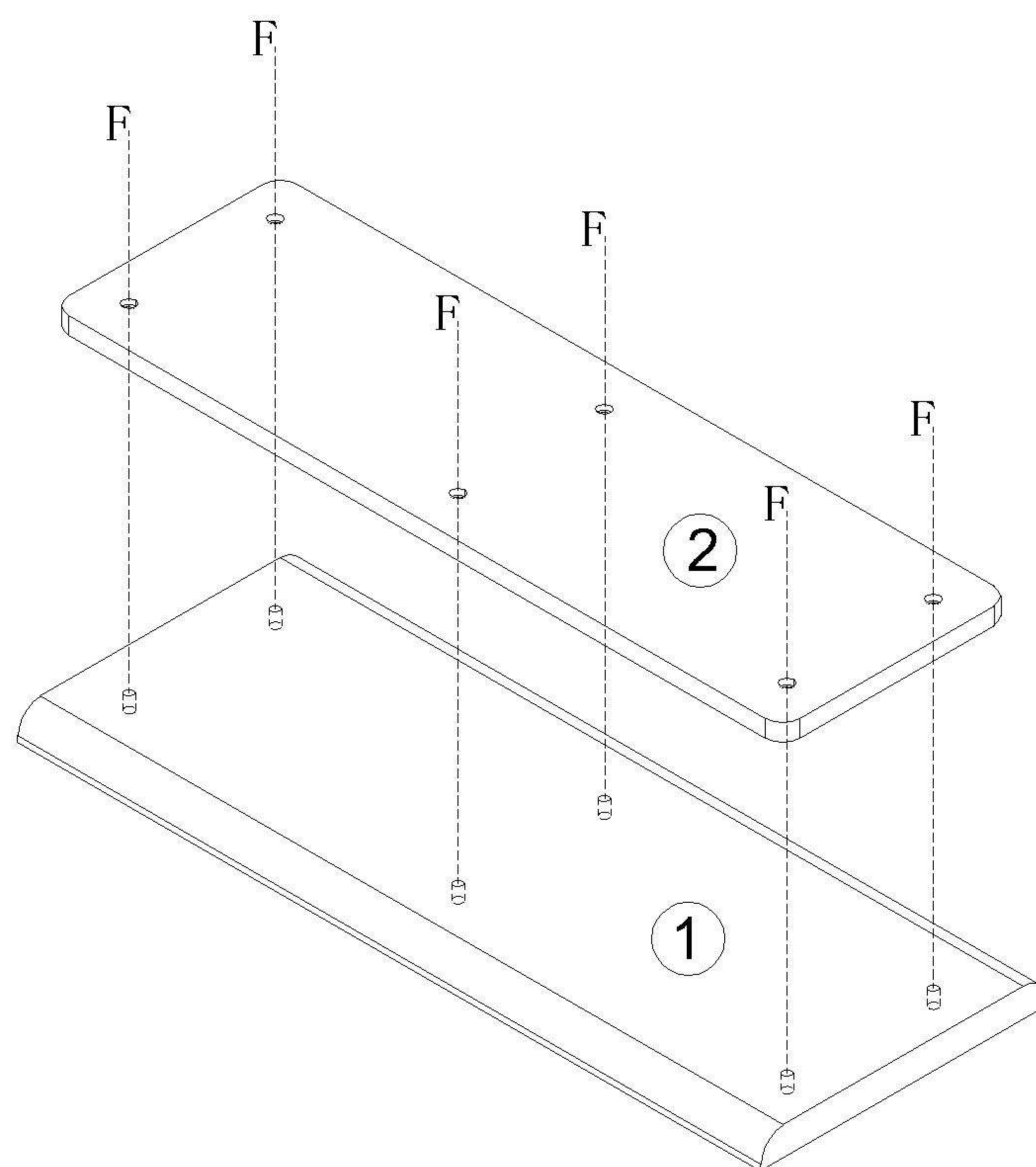




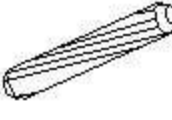

- 1**
-  (A)*16
-  (B)*16
-  (E)*8
-  (N)*2
-  (O)*8

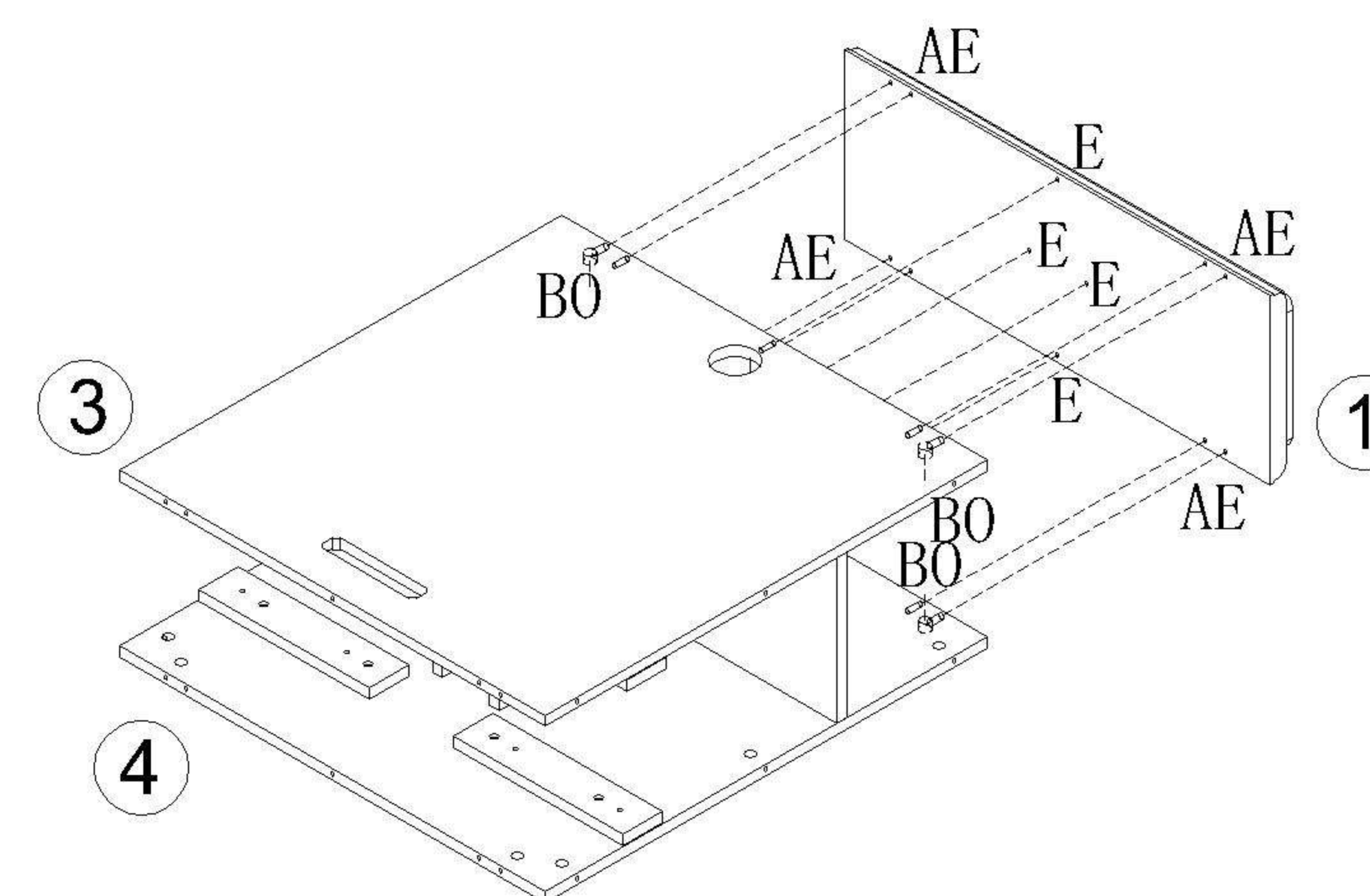


2

-  (F)*6



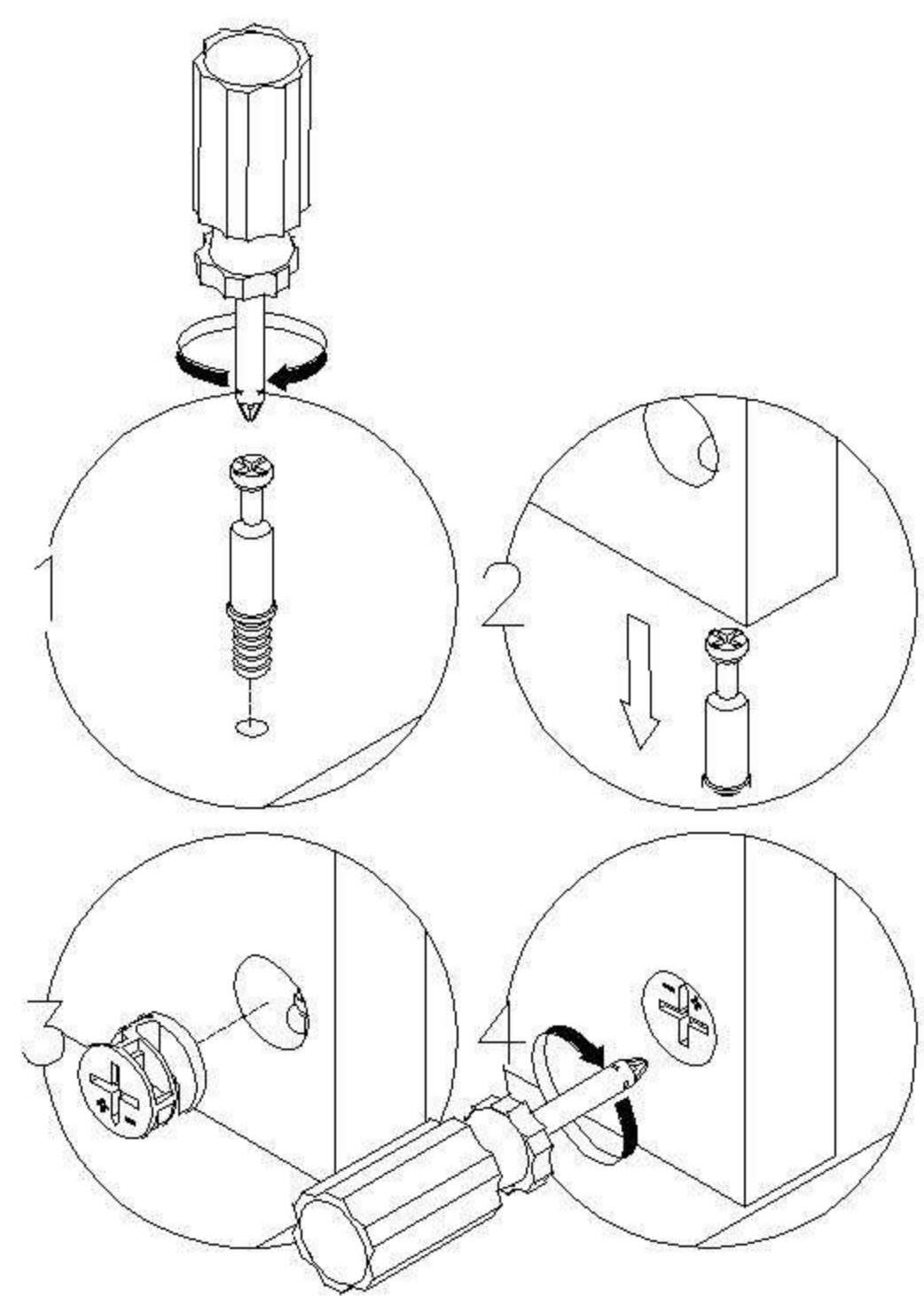
- 3**
-  (A)*4
-  (B)*4
-  (E)*8
-  (O)*4



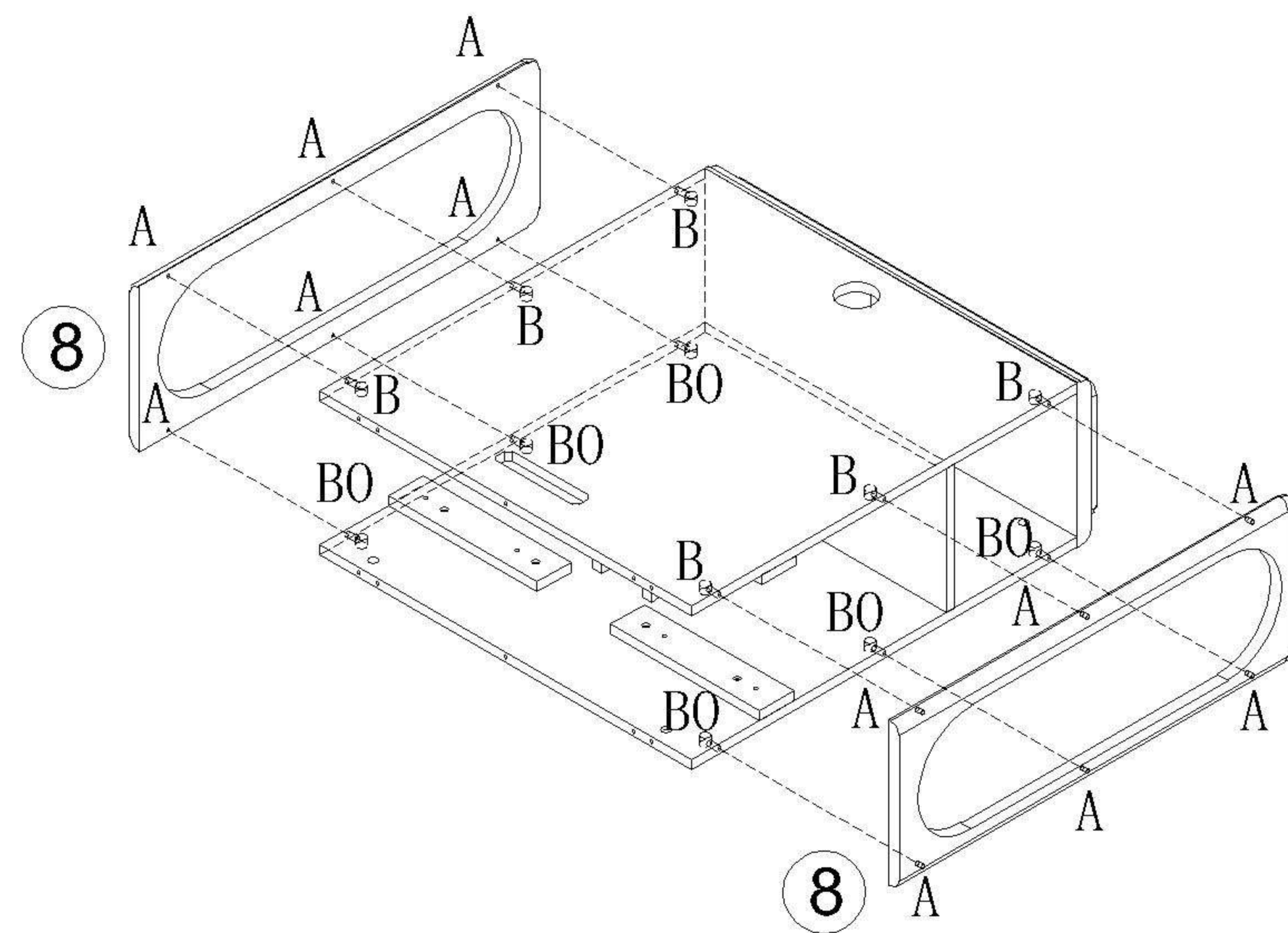
4

UD2R-A 1.4m储物餐桌

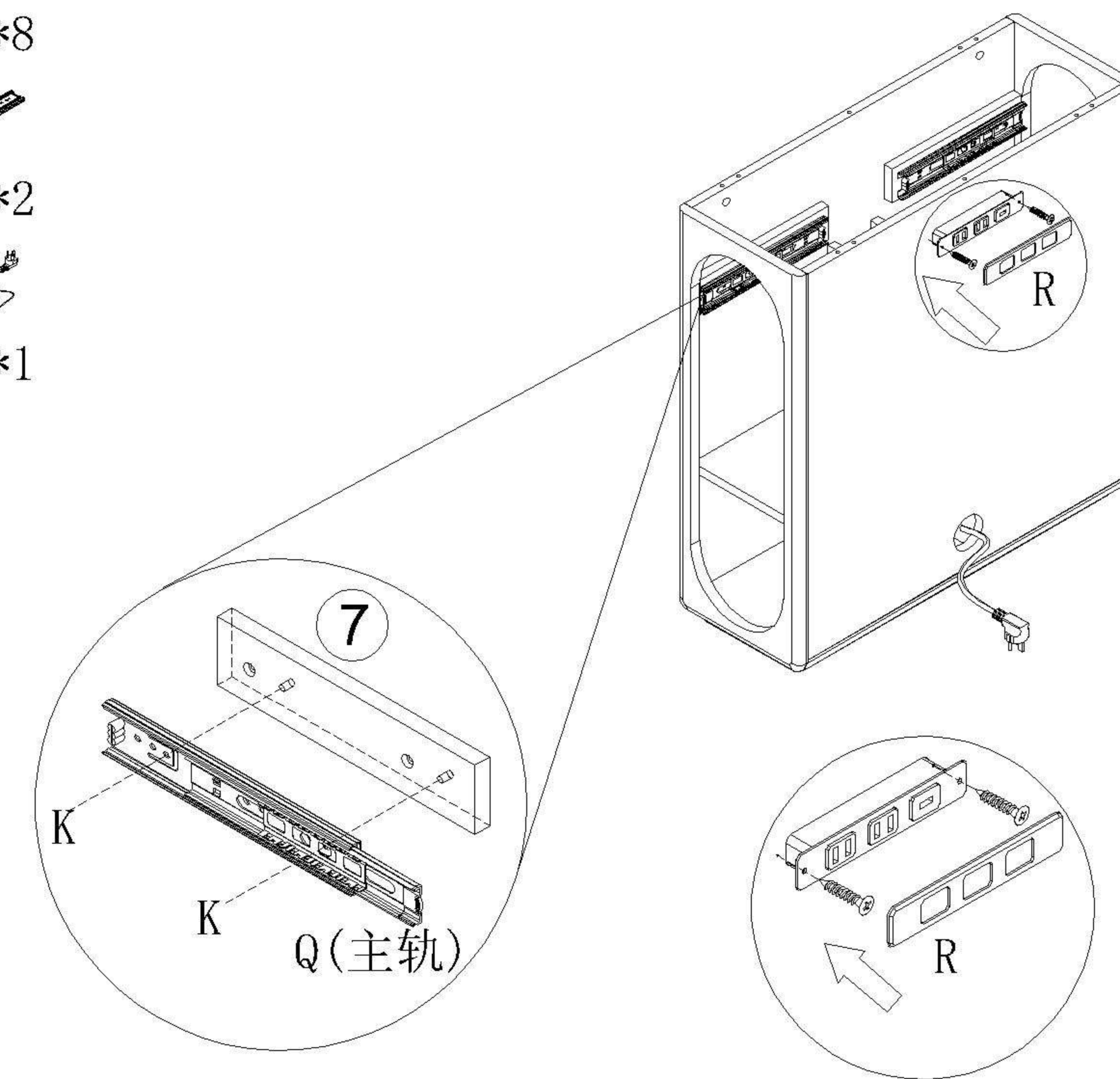
安装方法/
Installation method



- (A)*12
- (B)*12
- (C)*12

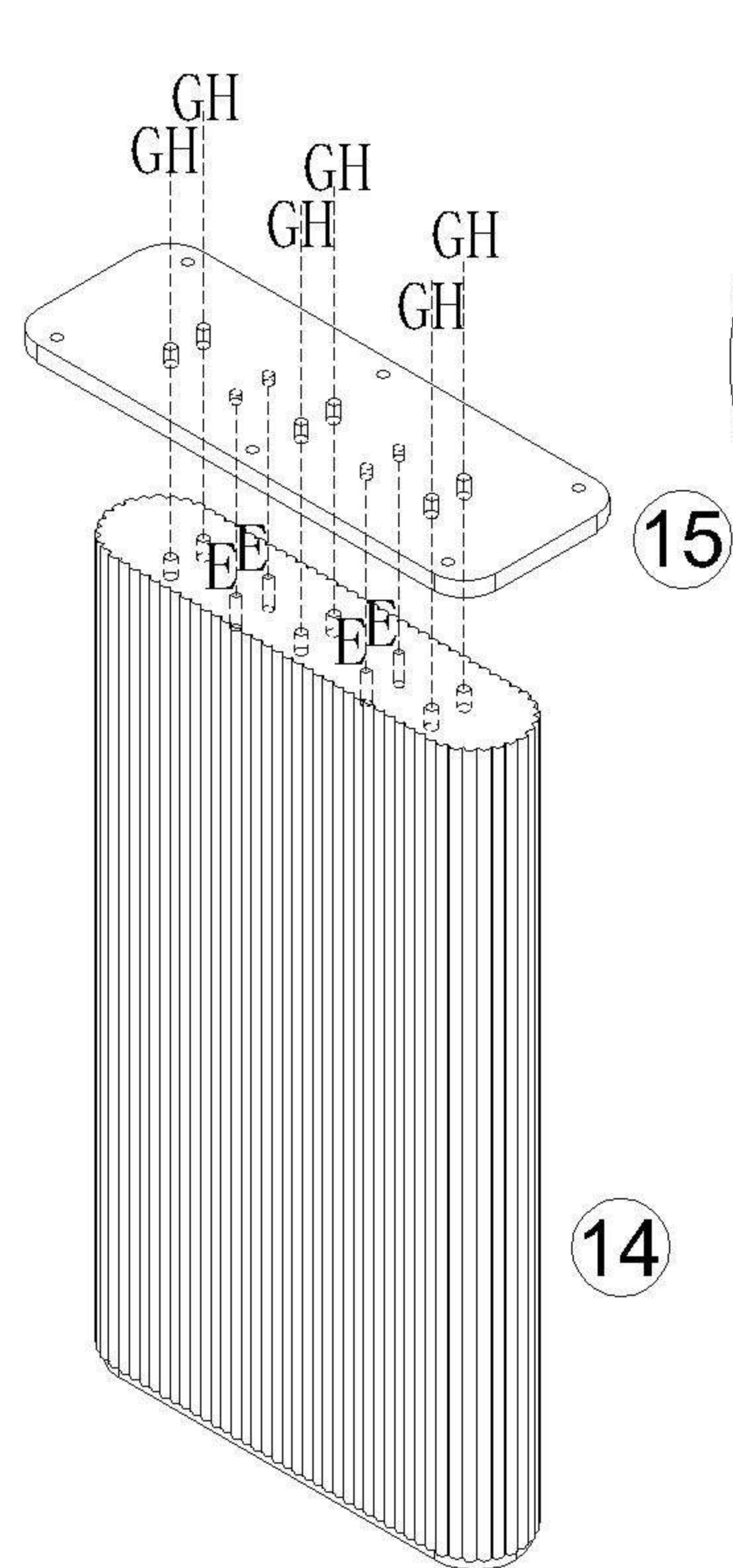


- 5
- (K)*8
- (Q)*2
- (R)*1

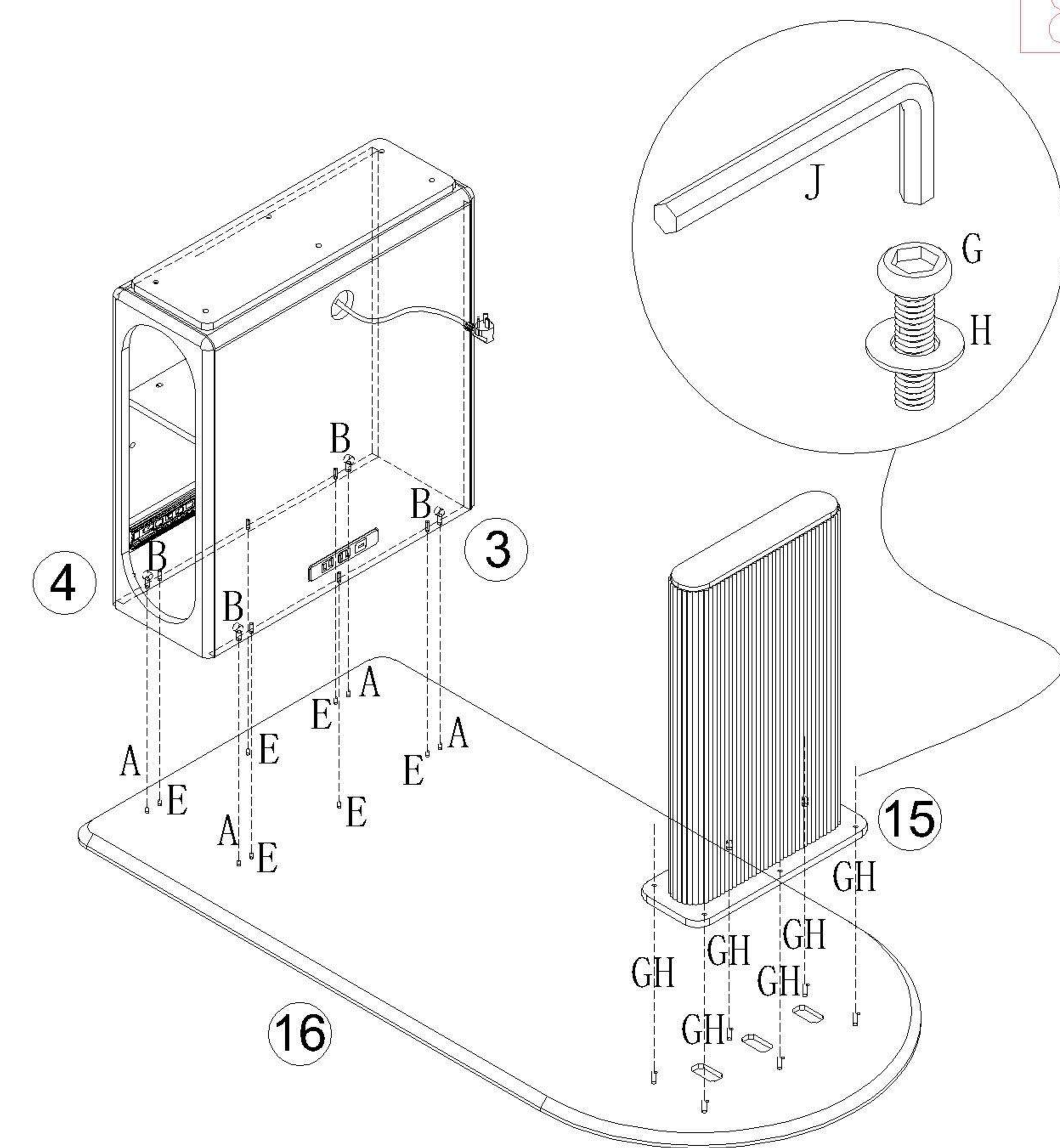


6

- (E)*4
- (G)*6
- (H)*6
- (J)*1



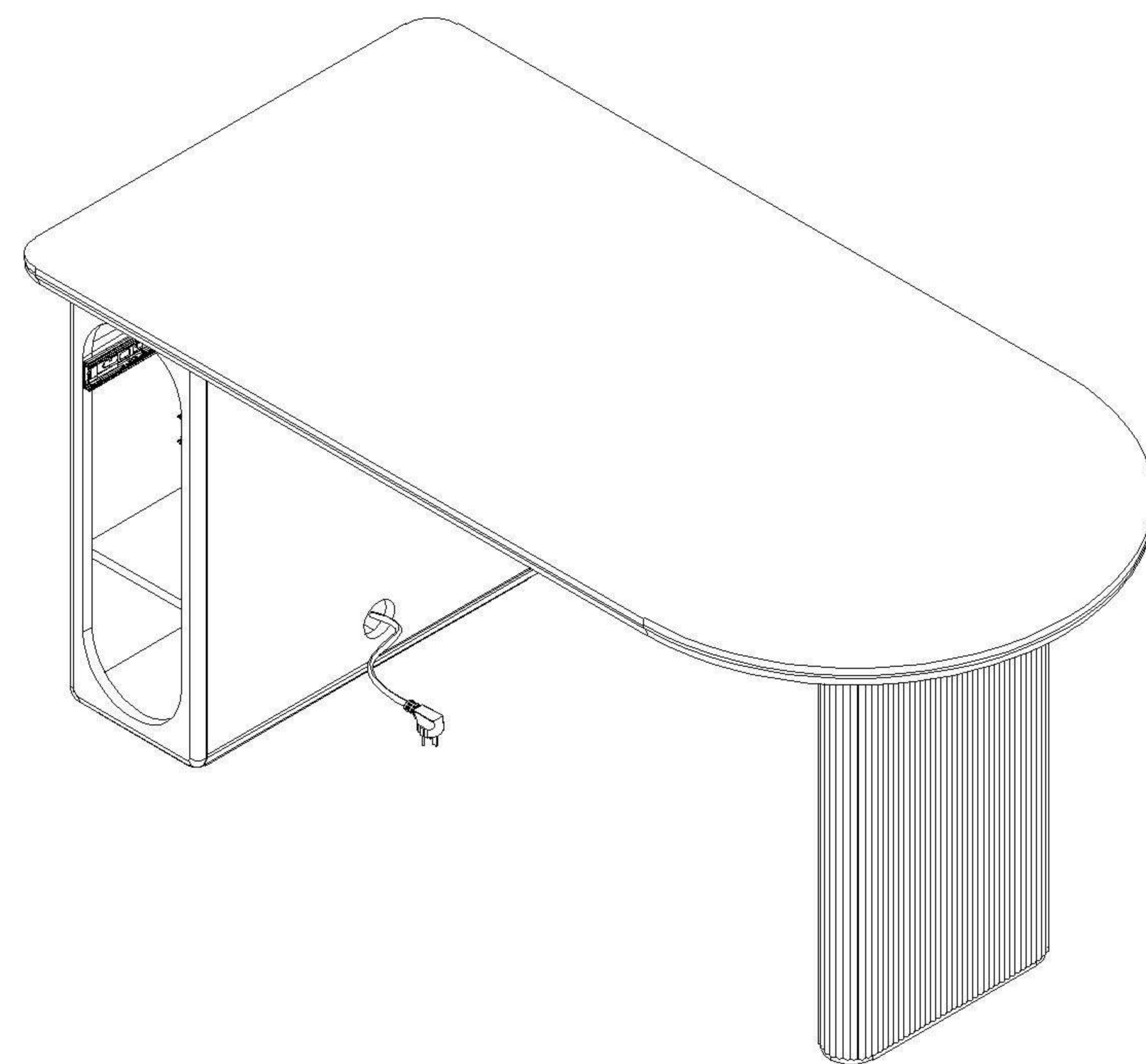
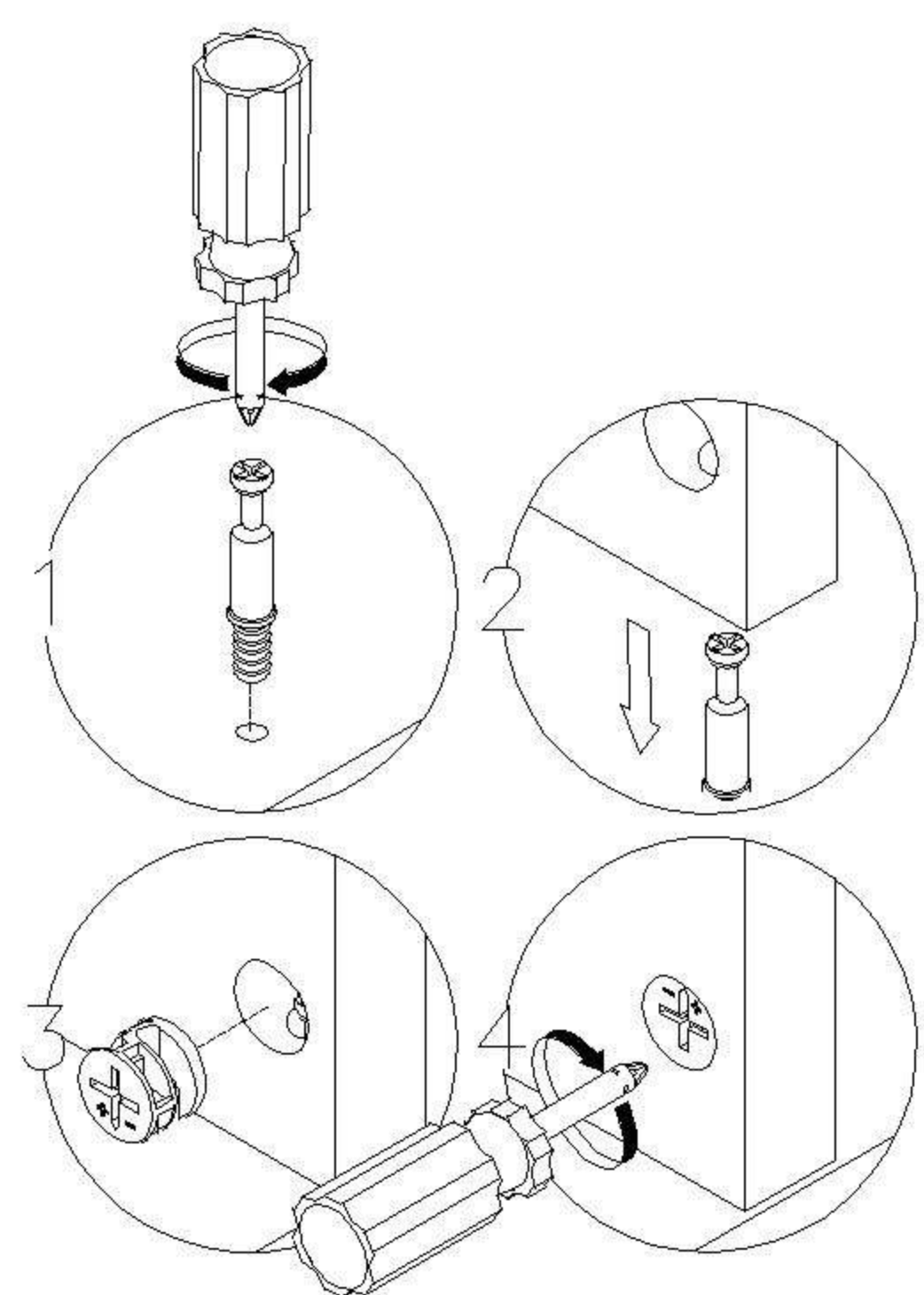
- 7
- (A)*4
- (B)*4
- (E)*6
- (G)*6
- (H)*6
- (J)*1



8

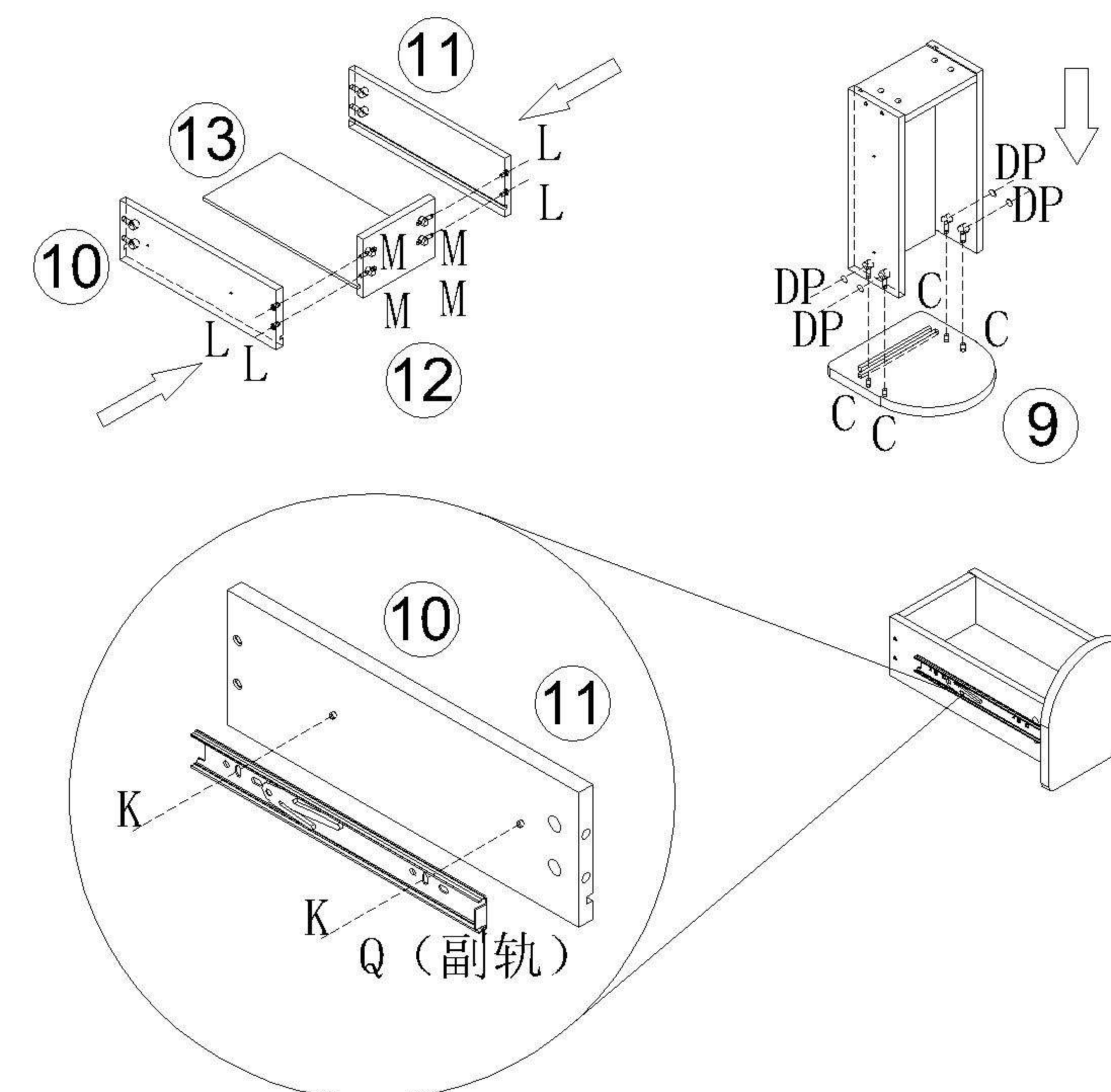
UD2R-A 1.4m储物餐桌

安装方法/
Installation method



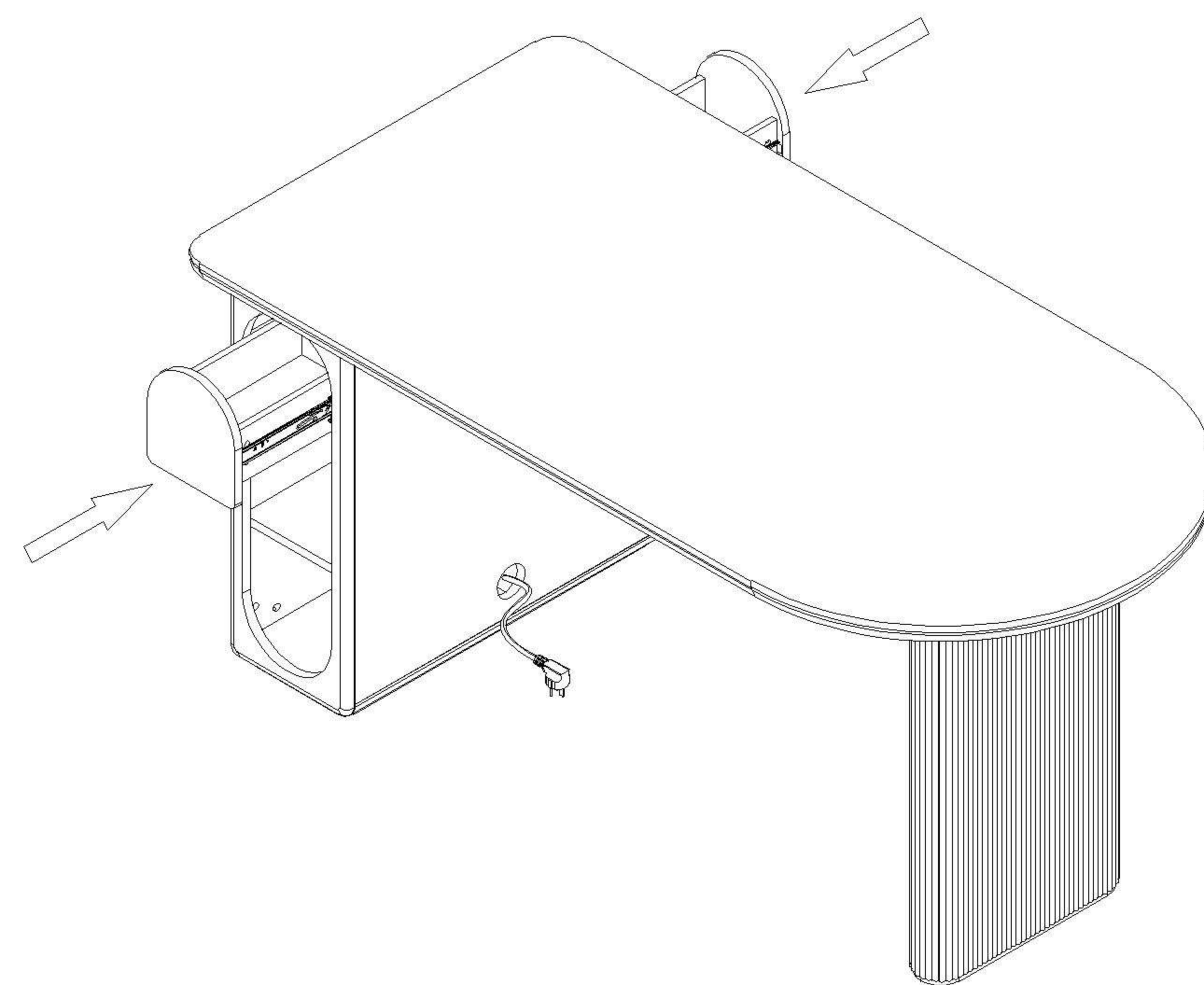
9

- (C) *8
- (D) *8
- (M) *8
- (L) *8
- (K) *8
- (P) *8
- (Q) *2



10

11



12

