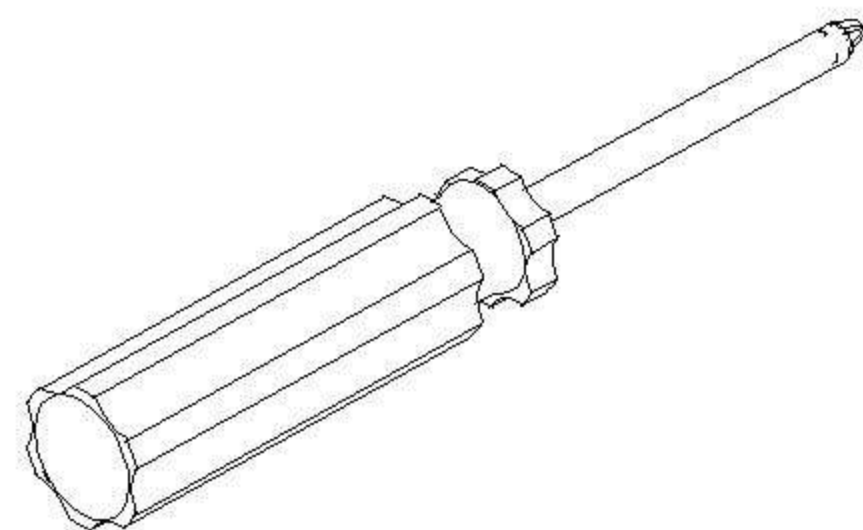
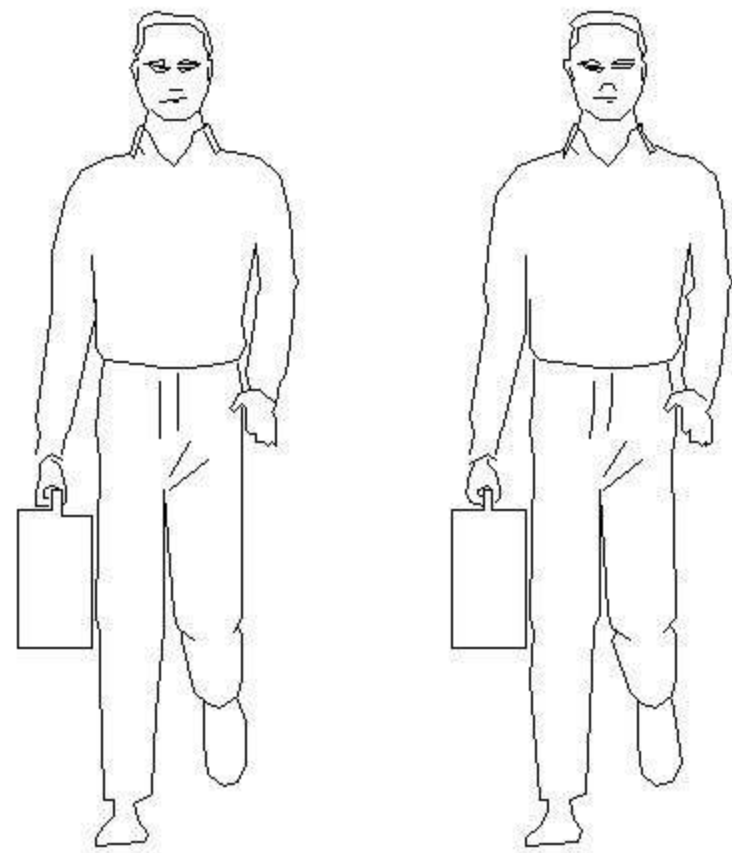


# LINSY 林氏家居

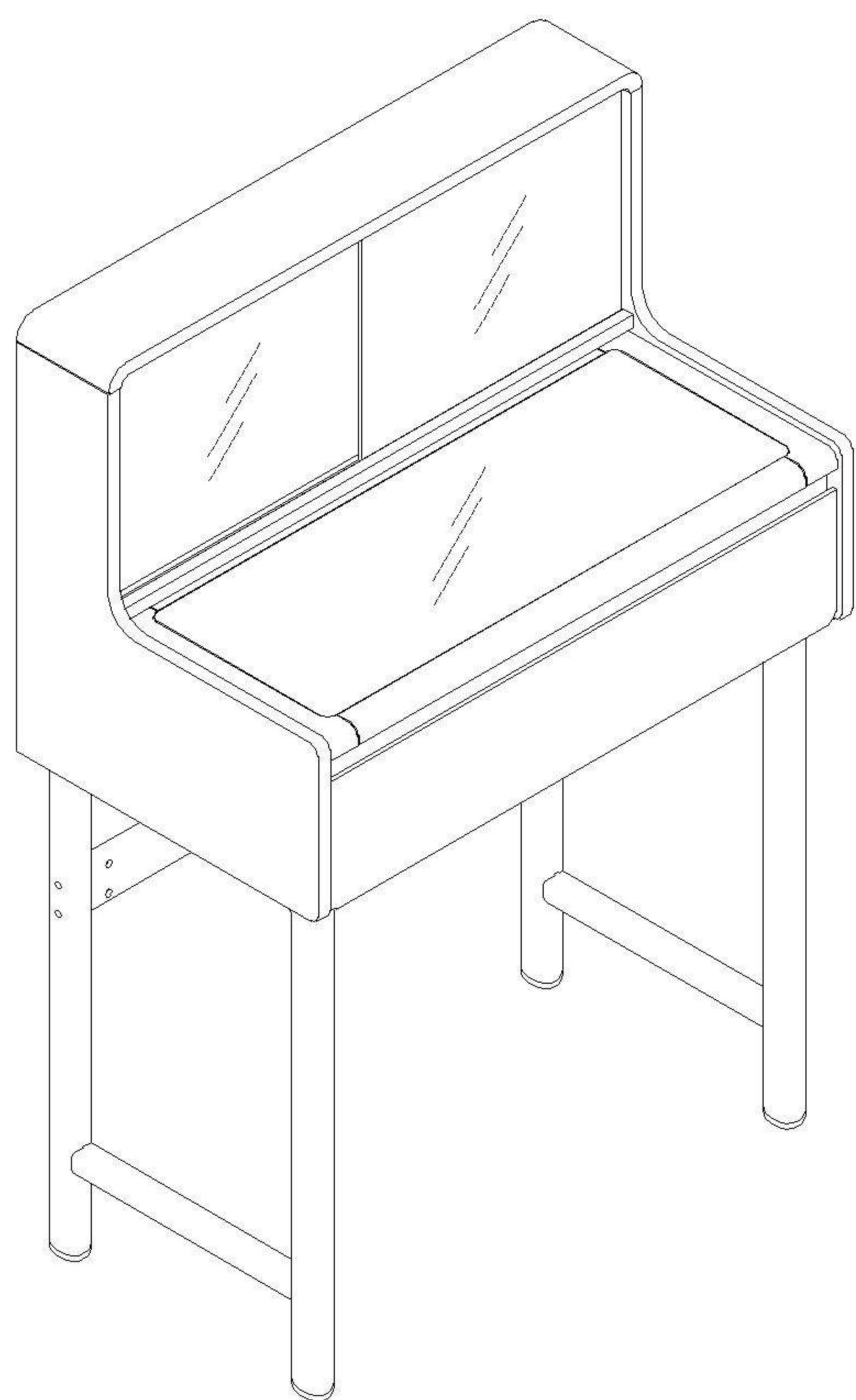
## 五金表/Hardware list

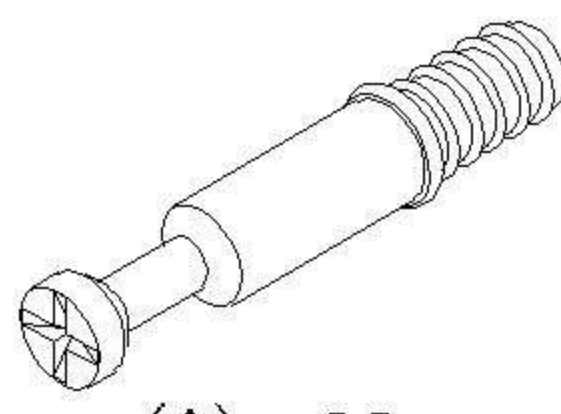
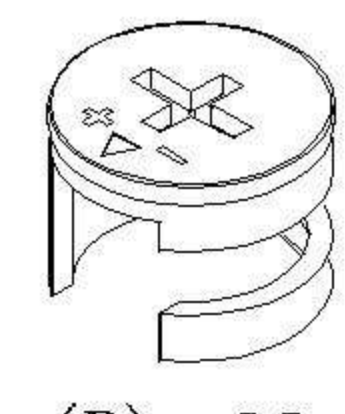
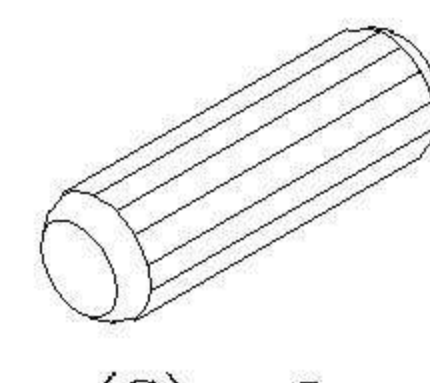
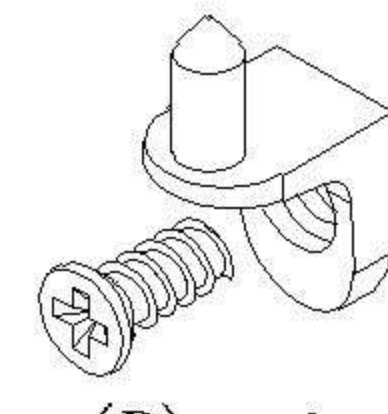
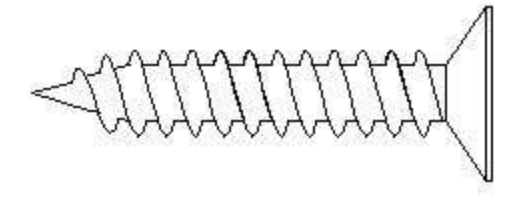
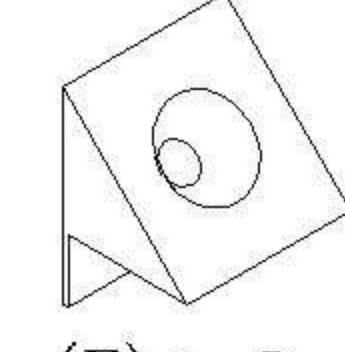
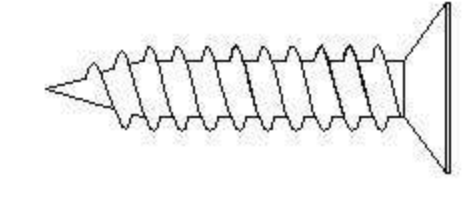
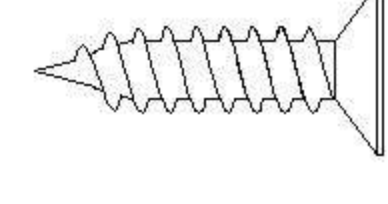

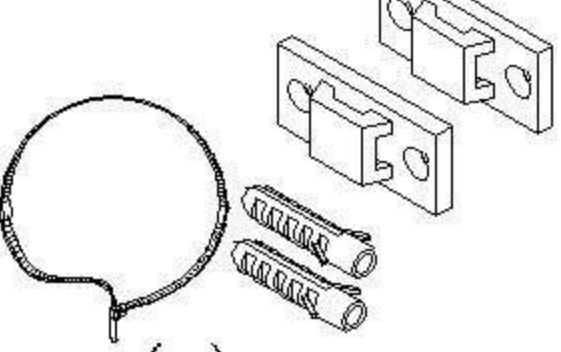
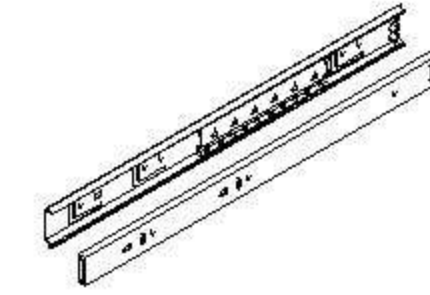
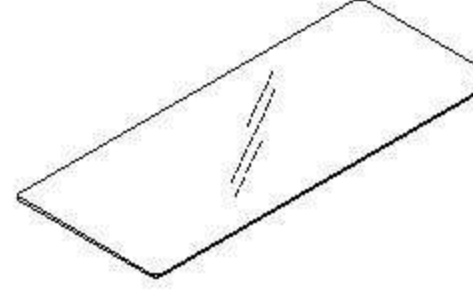
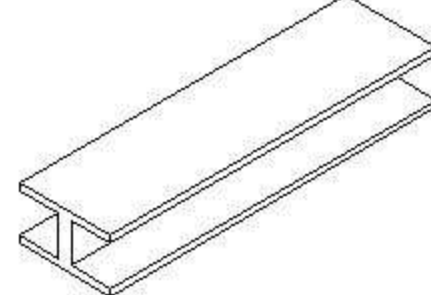
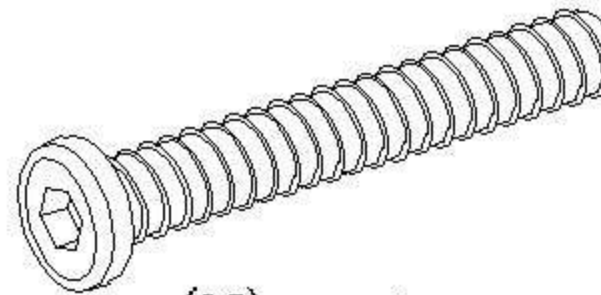
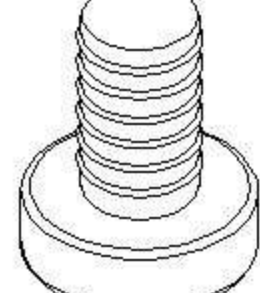
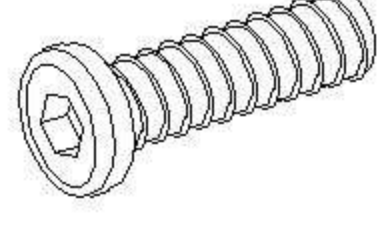
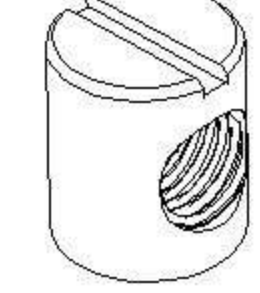
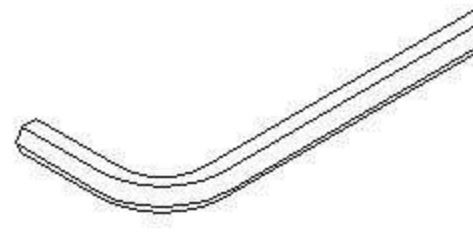
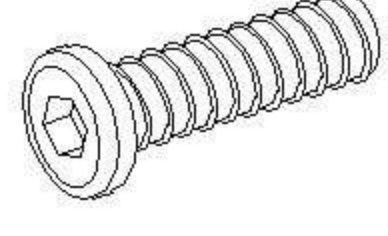
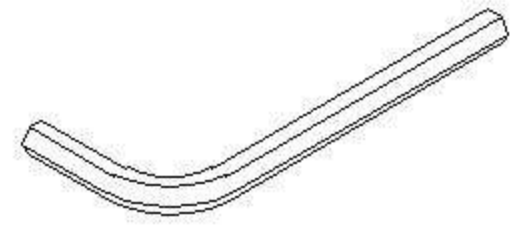
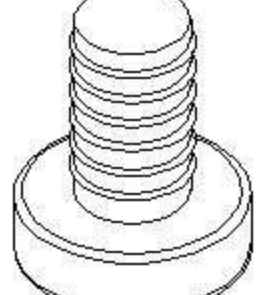
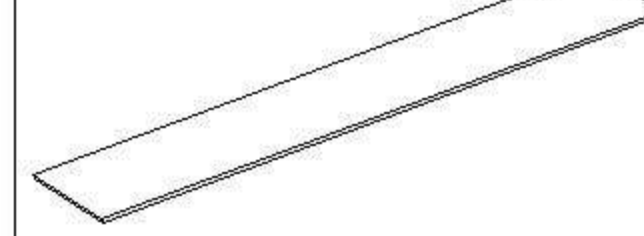
## 部件表/Parts List

### 安装示意图/Assembly Instruction

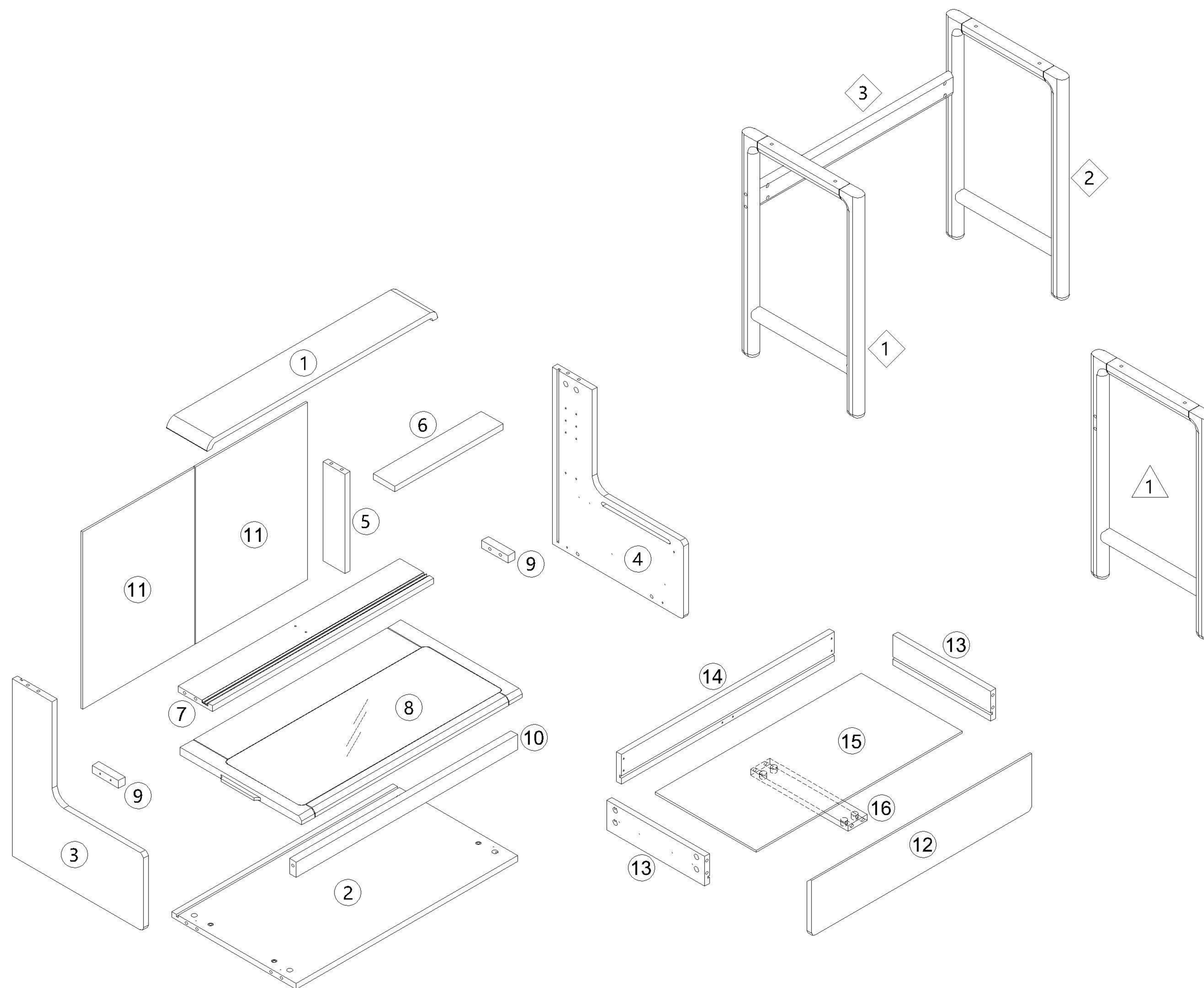
产品名称 Model NO.	妆台
产品型号 Product Model	UD1C-A
尺寸规格 Specification	(700*397.5*1070)mm
安装工具 Tool	安装人数 Installer
	

注：为保证设计效果，部分尺寸为定制尺寸，不影响使用。



 <b>(A)* 32</b> 二合一螺杆 2-in-1-screw	 <b>(B)* 32</b> 大三合一锁饼 Three-in-one large lock	 <b>(C)* 8</b> 木榫Ø8x30mm wood tenon	 <b>(D)* 4</b> 层板托 shelf support
 <b>(E)* 4</b> 自攻螺丝M4x25mm Self-tapping screw	 <b>(F)* 8</b> 背板扣 Back Plate Buckle-White	 <b>(G)* 8</b> 自攻螺丝M3.5x16mm Self-tapping screw	 <b>(H)* 25</b> 自攻螺丝M3.5x12mm Self-tapping screw
 <b>(I)* 8</b> L型角码14x21x1.5 L-shaped corner code	 <b>(J)* 1</b> 家具防倒器-白色 Anti-fall device white	 <b>(K)* 1</b> 三节滚珠导轨-10" Three-section ball rail	 <b>(L)* 2</b> 趟门玻璃 Sliding door glass
 <b>(M)* 1</b> 夹板条 Splint strip			 <b>(N)* 4</b> 斜边内六角螺杆M6x65 Beveled hexagon socket head screw
 <b>(R)* 4</b> 9厘透明防滑PVC脚垫 Rubber stopper	 <b>(O)* 4</b> 斜边内六角螺杆M6x35 Beveled hexagon socket head screw	 <b>(P)* 4</b> 锤母-M6 Ø10x10mm Hammer nut	 <b>(Q)* 1</b> 内六角扳手4mm spanner-(4mm) hex
UD1C-A 常规款妆台脚架内含五金			
UD1C-A 伸缩款妆台脚架内含五金			
 <b>(S)* 2</b> 斜边内六角螺杆M6x35 Beveled hexagon socket head screw	 <b>(T)* 1</b> 内六角扳手4mm spanner-(4mm) hex	 <b>(U)* 2</b> 9厘透明防滑PVC脚垫 Rubber stopper	 <b>(V)* 1</b> 垫片-黑色 Gasket - Black

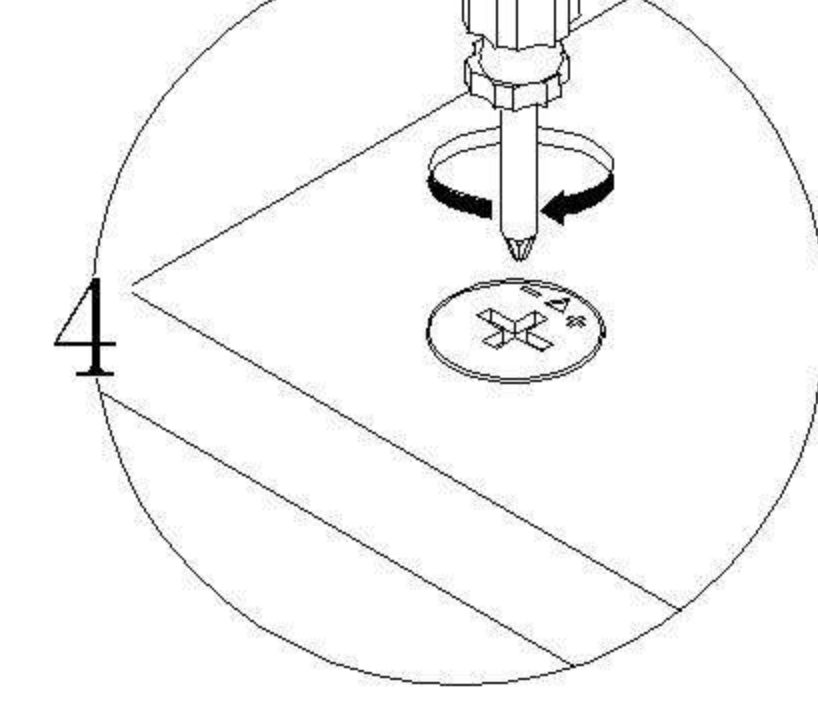
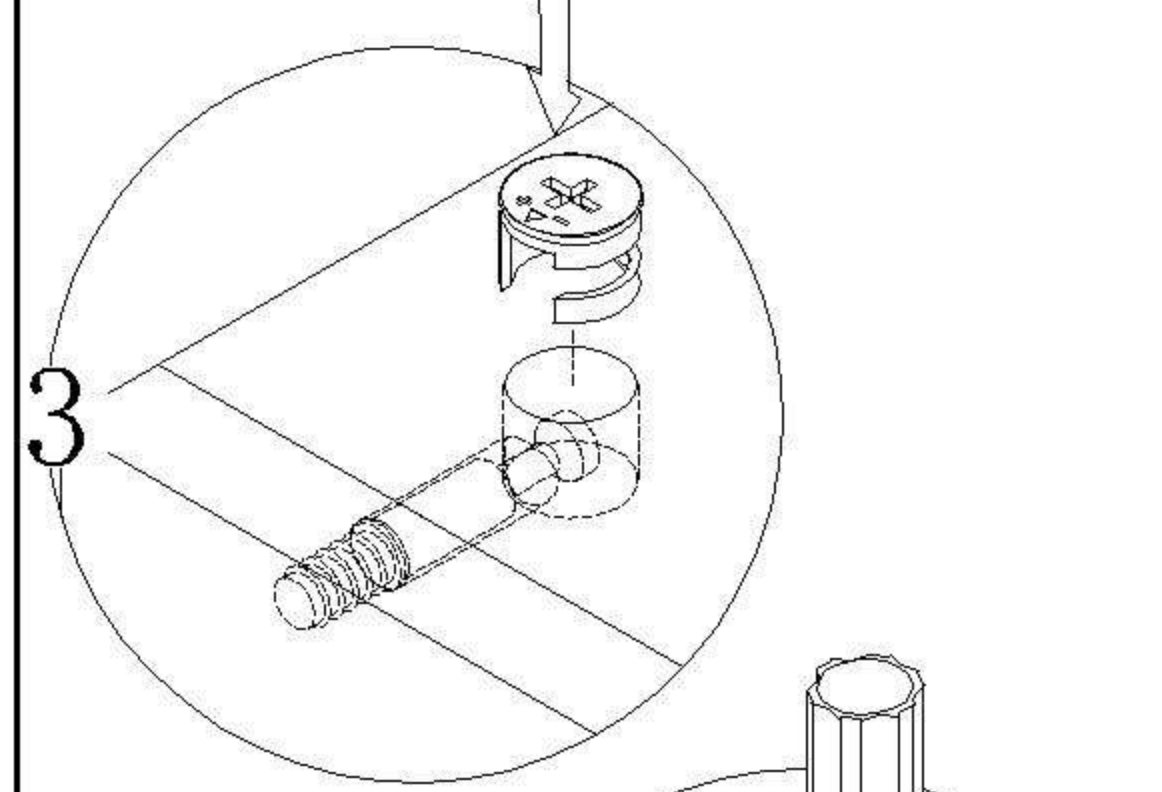
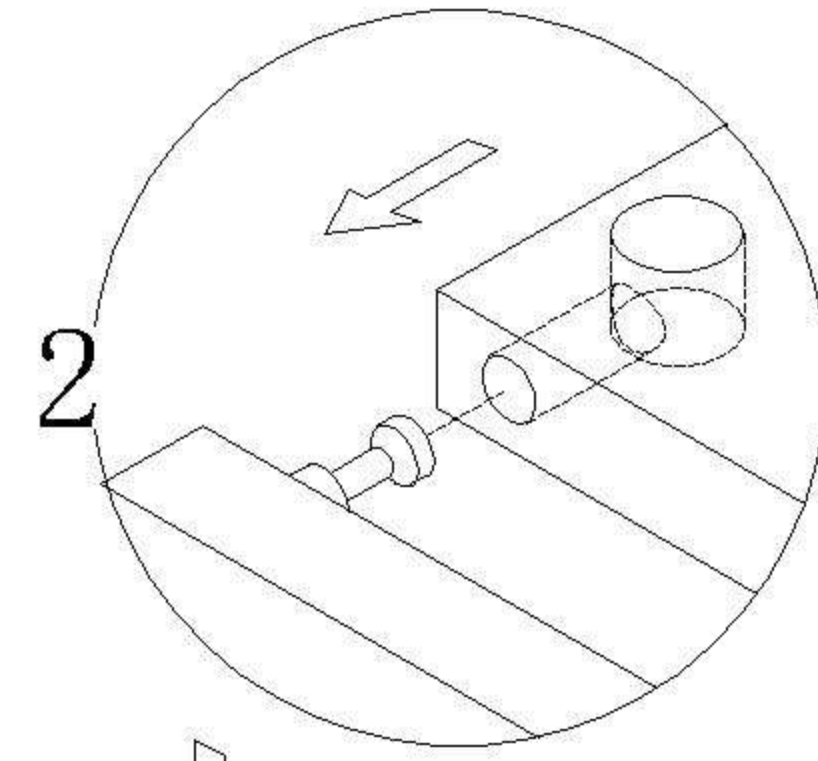
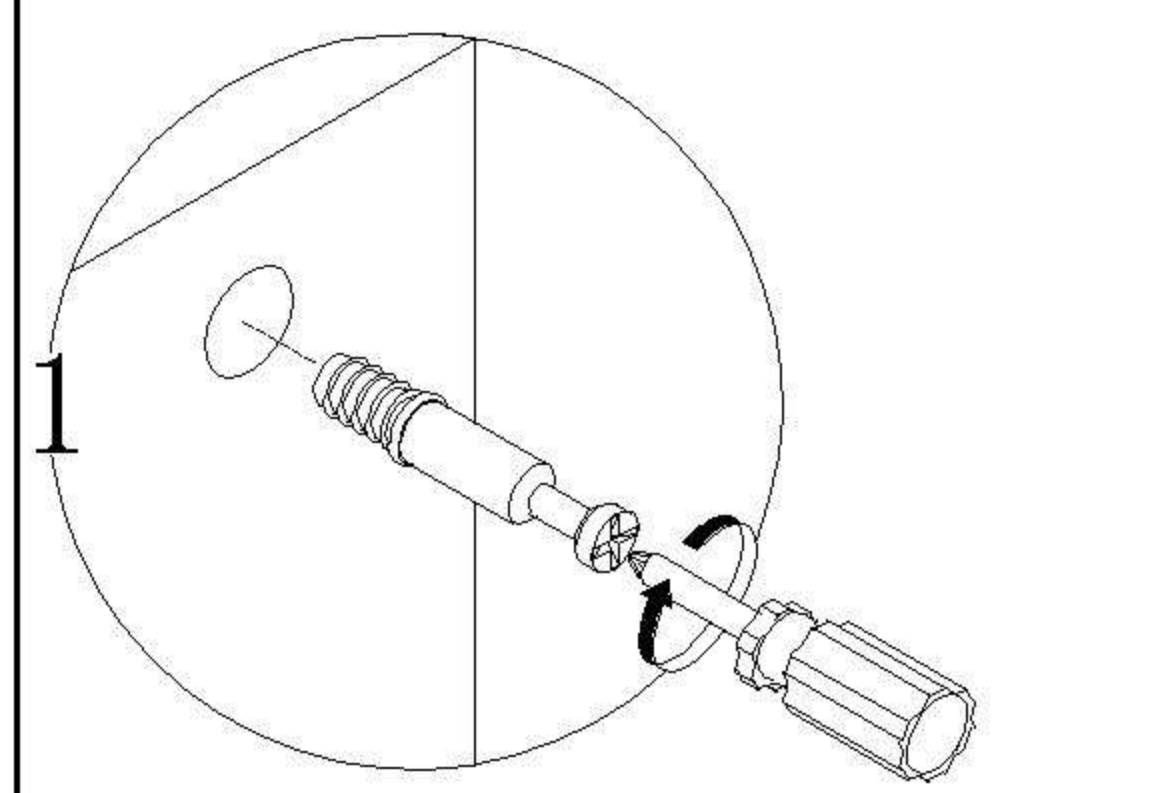
编号NO.	名称Name	规格 (mm) Specification	数量 QTY	材质Material
UD1C-A 妆台主体:Dressing Table Body				
①	顶板组立 Top board assembly	700*121*25	1	纤维板+橡胶木 Fiberboard+Rubber wood
②	底板 Bottom board	670*377*15	1	刨花板 Particle board
③	左侧板 Side board(L)	464*397*15	1	刨花板 Particle board
④	右侧板 Side board(R)	464*397*15	1	刨花板 Particle board
⑤	中侧板 Middle side board	260*66*15	1	刨花板 Particle board
⑥	活动层板 Movable shelf	326.5*66*15	1	刨花板 Particle board
⑦	中层板 Middle shelf	670*103*15	1	刨花板 Particle board
⑧	面板组立 Panel assembly	688*367*20	1	橡胶木+玻璃 Rubber wood+Glass
⑨	底托条 Bottom bracket	80*20*20	2	橡胶木 Rubber wood
⑩	底拉条 Bottom brace	670*40*20	1	榉木 Beech wood
⑪	背板 Back board	339*464*5	2	纤维板 Fiberboard
⑫	抽屉面板 Drawer's top panel	666*148*15	1	刨花板 Particle board
⑬	抽屉侧板 Drawer's sideboard	295*78*15	2	刨花板 Particle board
⑭	抽屉后板 Drawer's Back board	644*78*15	1	刨花板 Particle board
⑮	抽屉底板 Drawer's Bottom board	624*305*5	1	纤维板 Fiberboard
⑯	抽屉底托条 Drawer's bottom bracket	295*58*15	1	刨花板 Particle board
UD1C-A 常规款妆台脚架: Dressing Table foot (Regular style)				
①	左脚框 Foot frame(L)	360*581*32	1	榉木 Beech wood
②	右脚框 Foot frame(R)	360*581*32	1	榉木 Beech wood
③	下拉条 Bottom brace	586*60*20	1	榉木 Beech wood
UD1C-A 伸缩款妆台脚架: Dressing Table foot (Stretchable style)				
①	脚框 Foot frame	360*581*32	1	榉木 Beech wood



编号NO.	名称Name
UD1C-A 妆台主体	
①	顶板组立 Top board assembly
②	底板 Bottom board
③	左侧板 Side board(L)
④	右侧板 Side board(R)
⑤	中侧板 Middle side board
⑥	活动层板 Movable shelf
⑦	中层板 Middle shelf
⑧	面板组立 Panel assembly
⑨	底托条 Bottom bracket
⑩	底拉条 Bottom brace
⑪	背板 Back board
⑫	抽屉面板 Drawer's top panel
⑬	抽屉侧板 Drawer's sideboard
⑭	抽屉后板 Drawer's Back board
⑮	抽屉底板 Drawer's Bottom board
⑯	抽屉底托条 Drawer's bottom bracket
UD1C-A 常规款妆台脚架	
◇1	左脚框 Foot frame(L)
◇2	右脚框 Foot frame(R)
◇3	下拉条 Bottom brace
UD1C-A 伸缩款妆台脚架	
△1	脚框 Foot frame

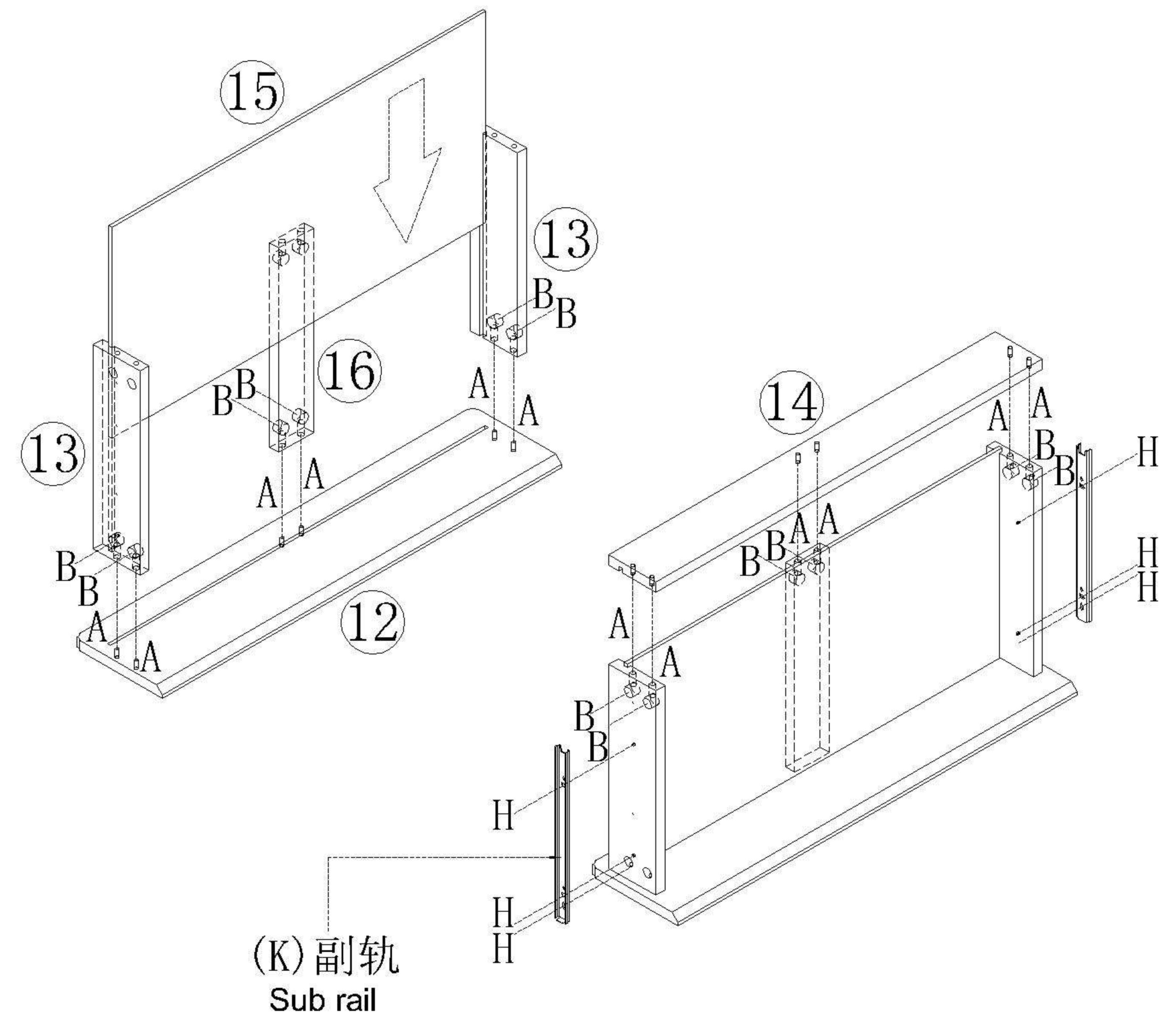
UD1C-A

安装方法/  
Installation method



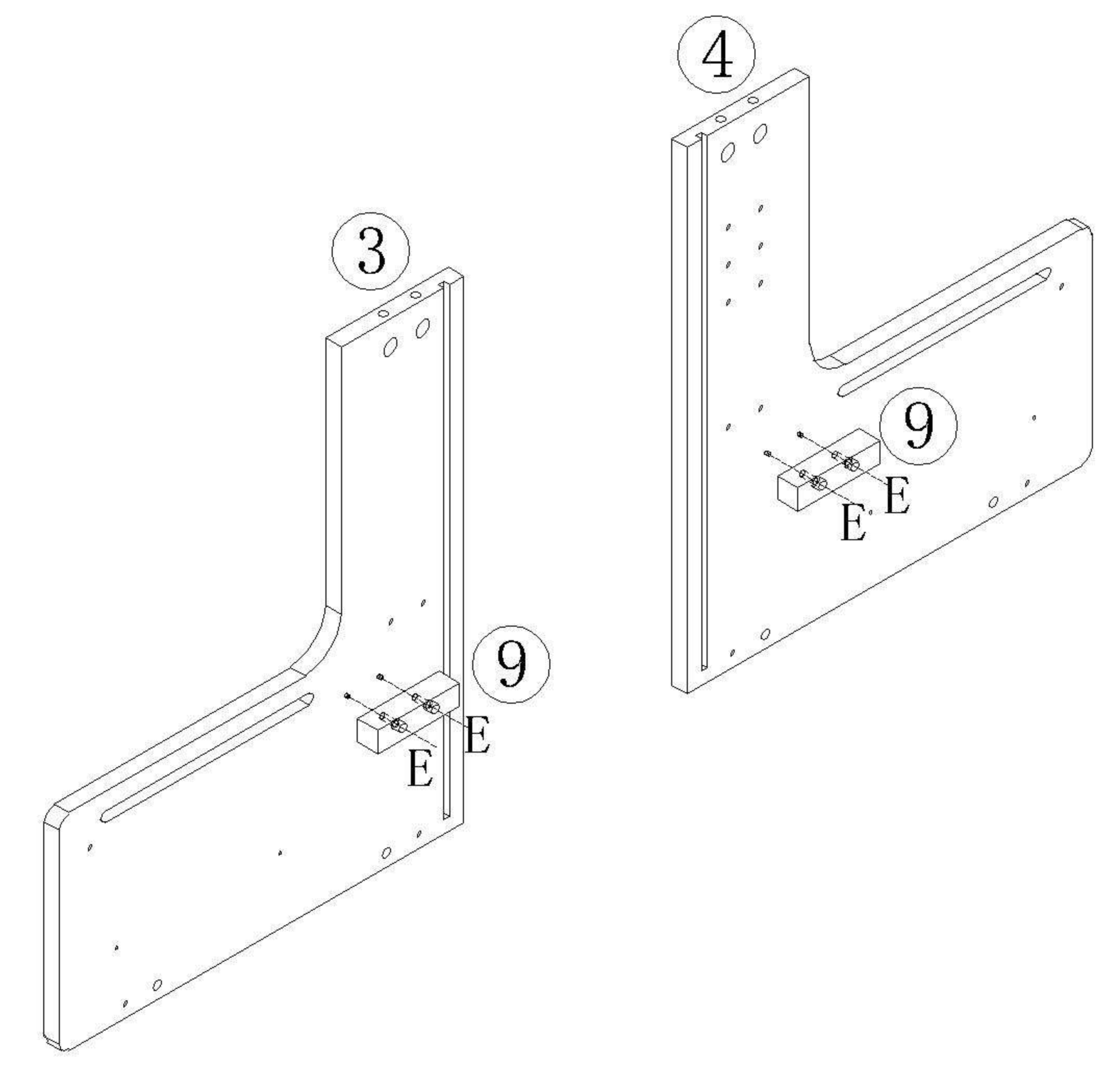
大二合一  
two-in-one

- (A)\*12
- (B)\*12
- (H)\*6
- (K)\*1



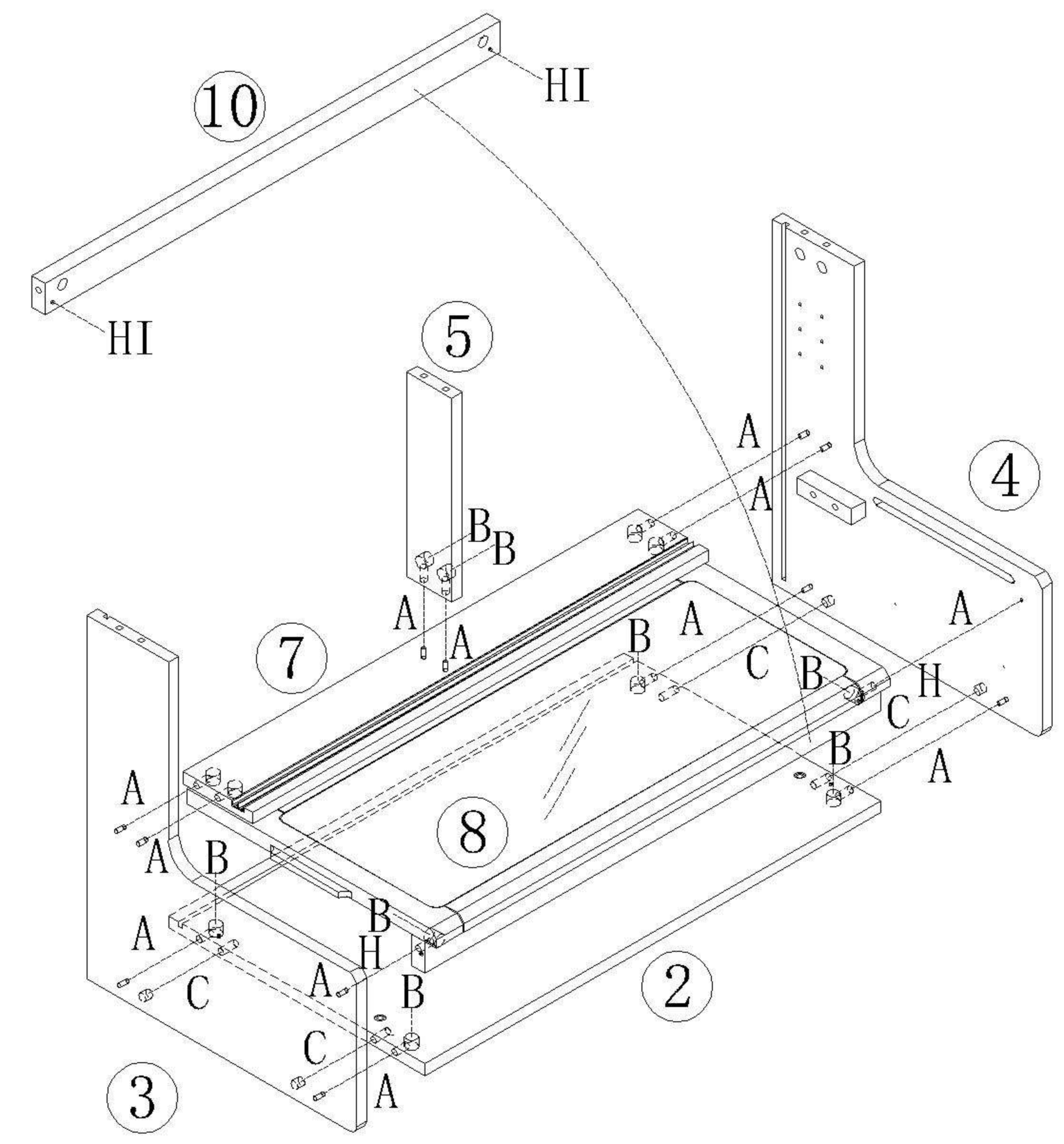
1

- (E)\*4



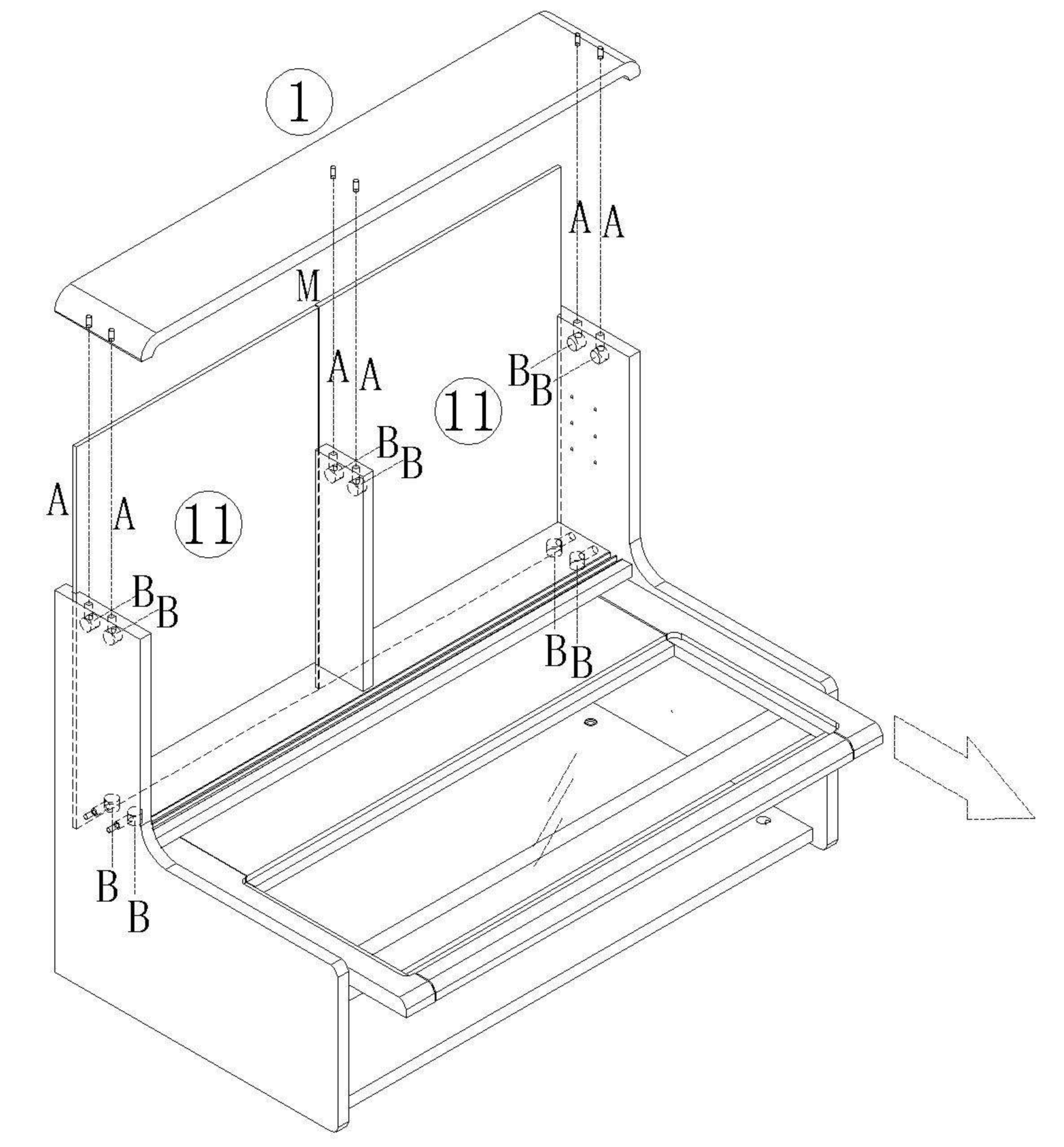
2

- (A)\*12
- (B)\*8
- (C)\*8
- (H)\*4
- (I)\*2



3

- (A)\*6
- (B)\*10
- (M)\*1



4

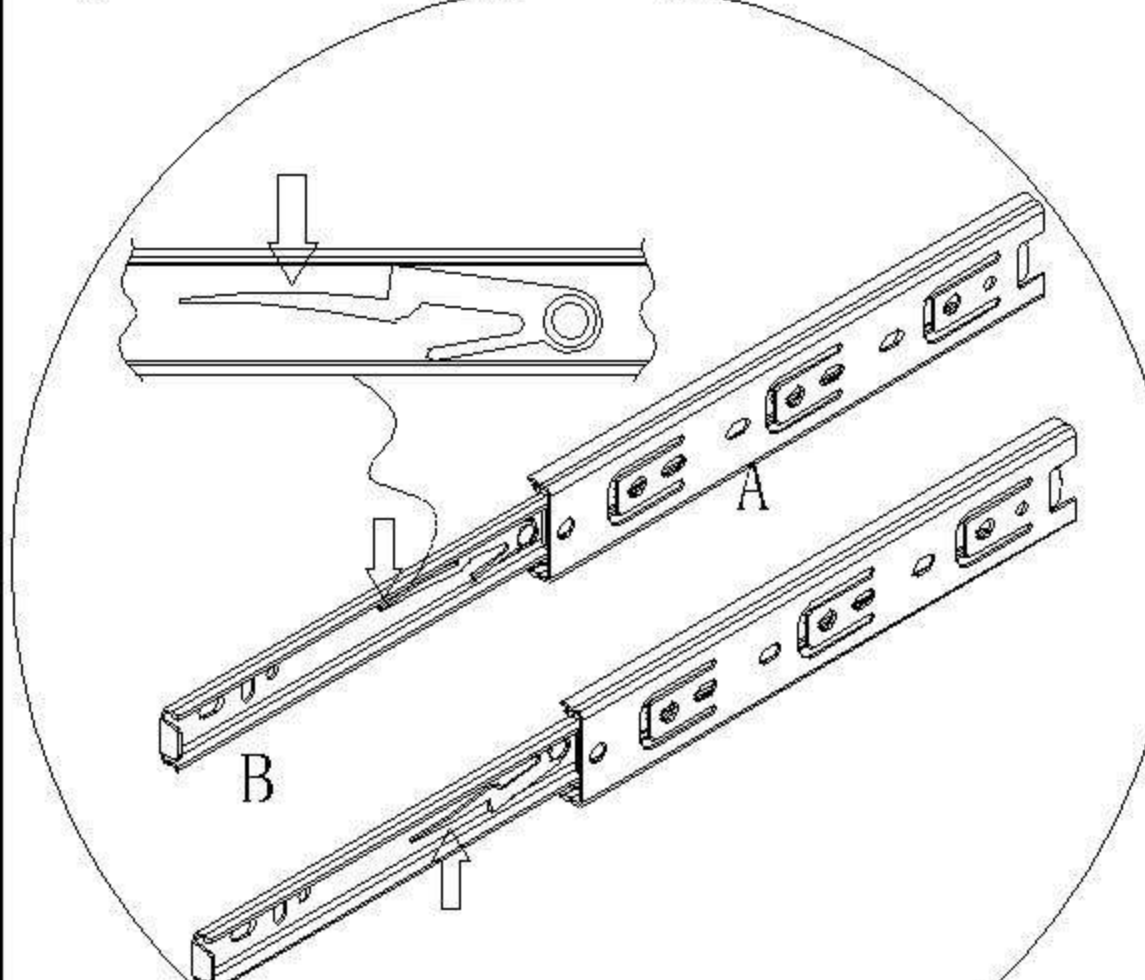
UD1C-A

5

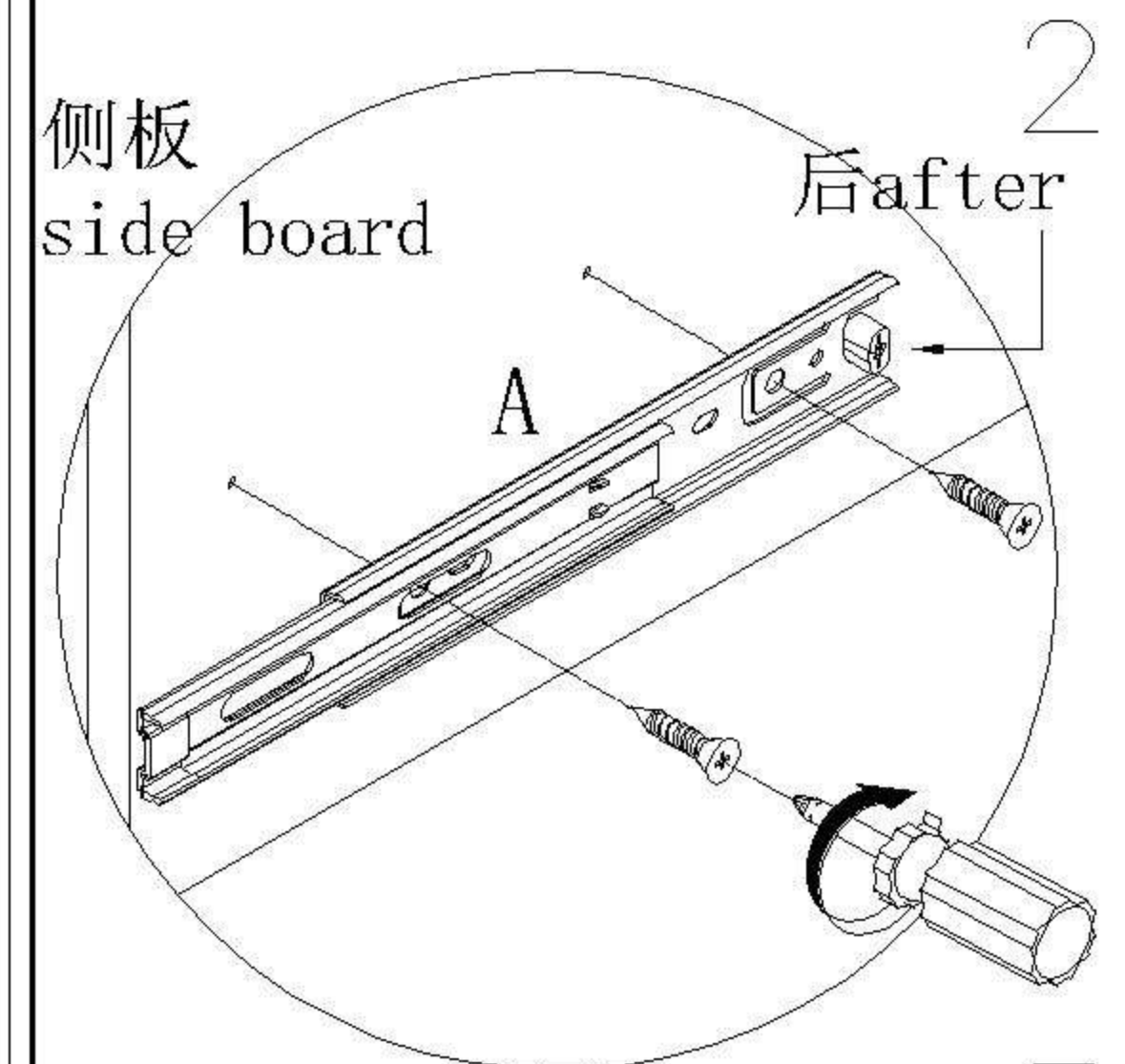
安装方法/  
Installation method

阀门开关(下压为开)  
Valve switch  
(press down to open)

1

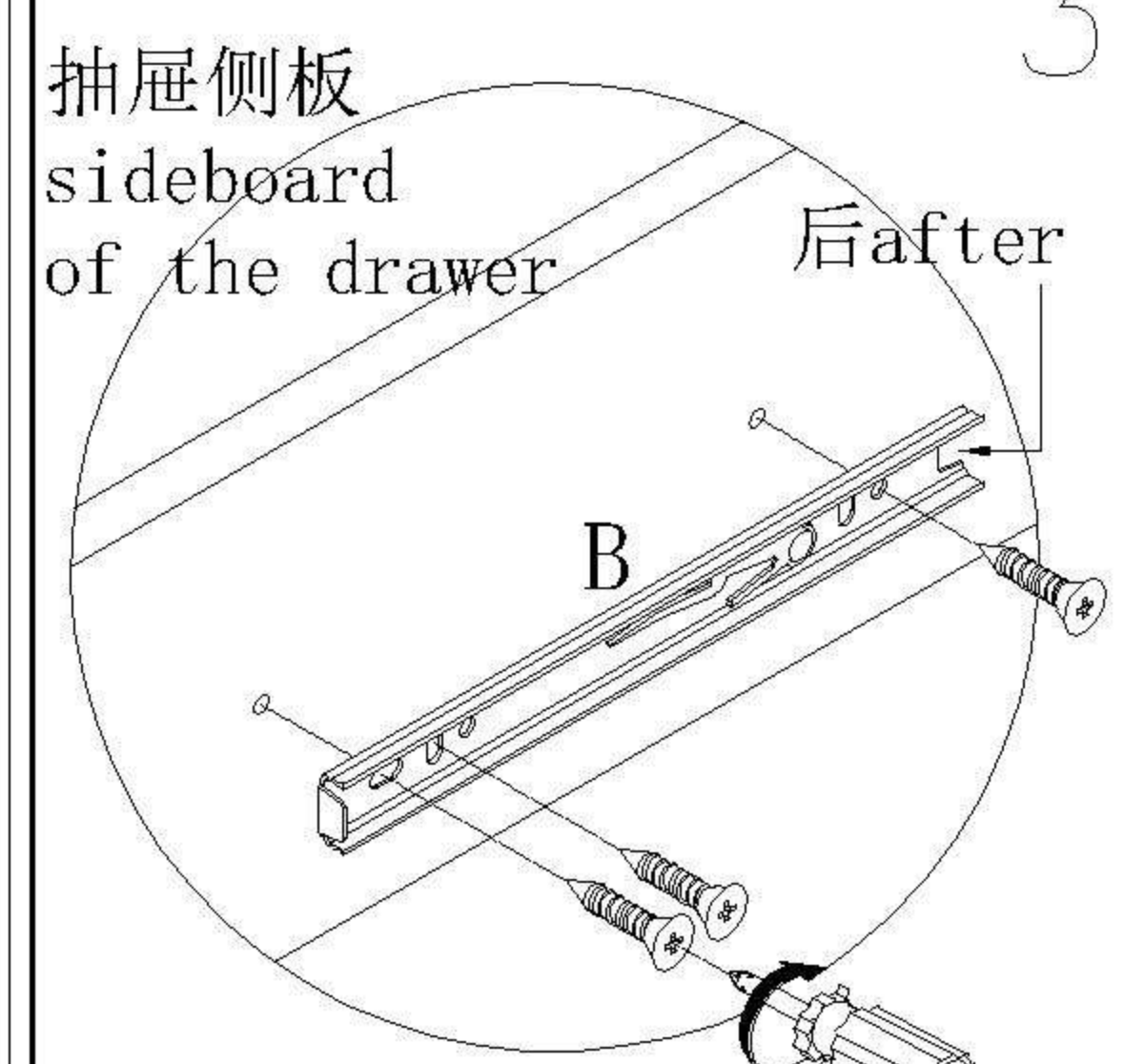


注: 先将A与B拆下来  
Note: remove a and B first



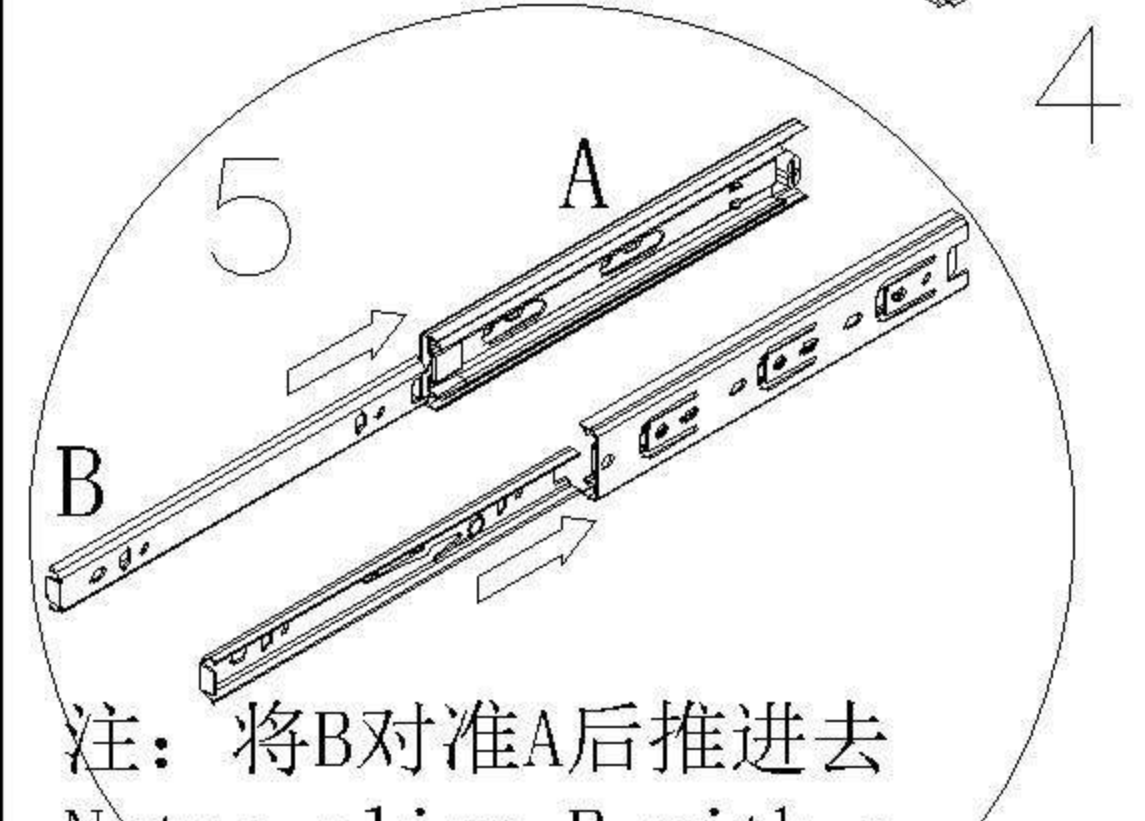
侧板  
side board

后after



抽屉侧板  
sideboard  
of the drawer

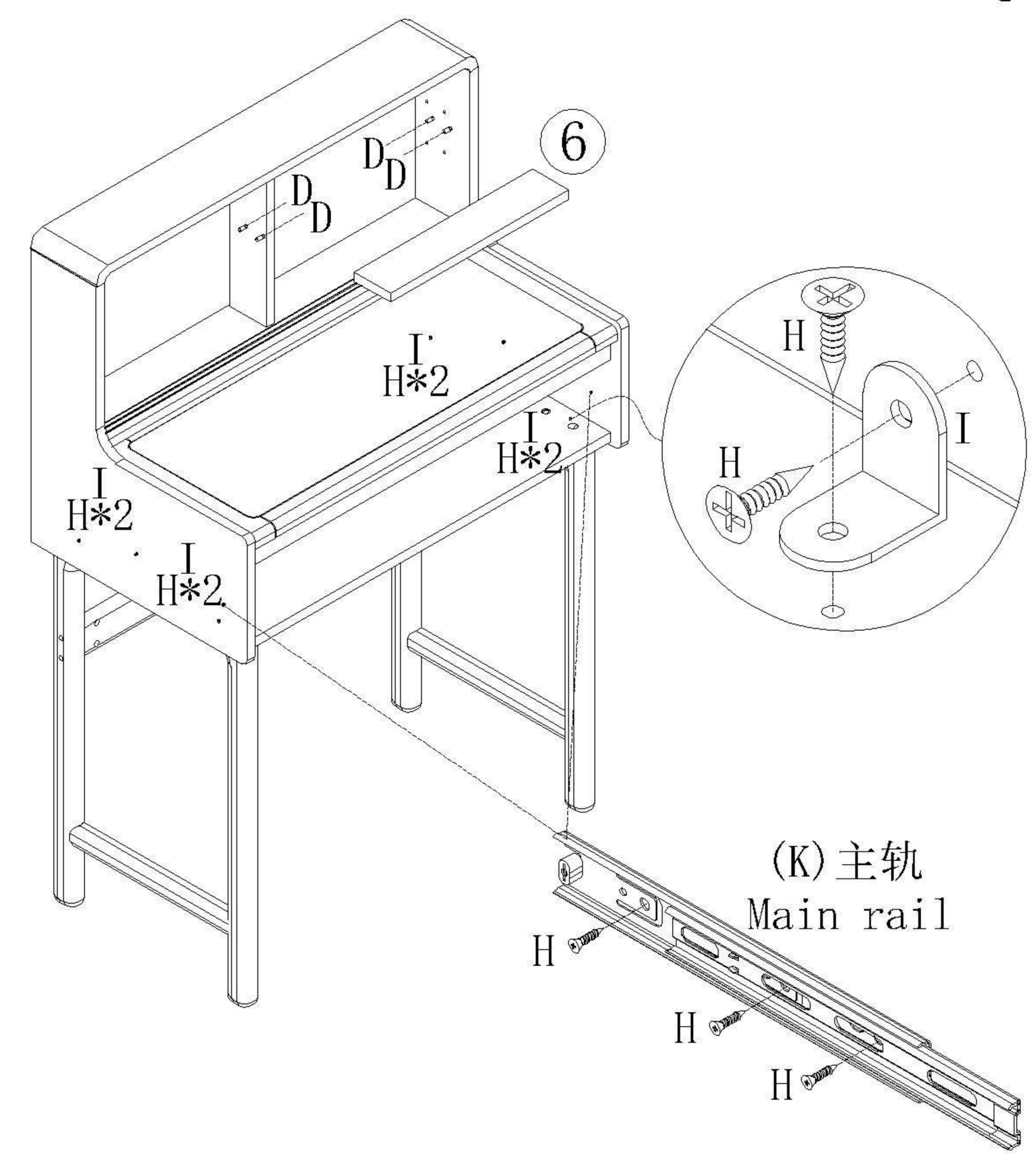
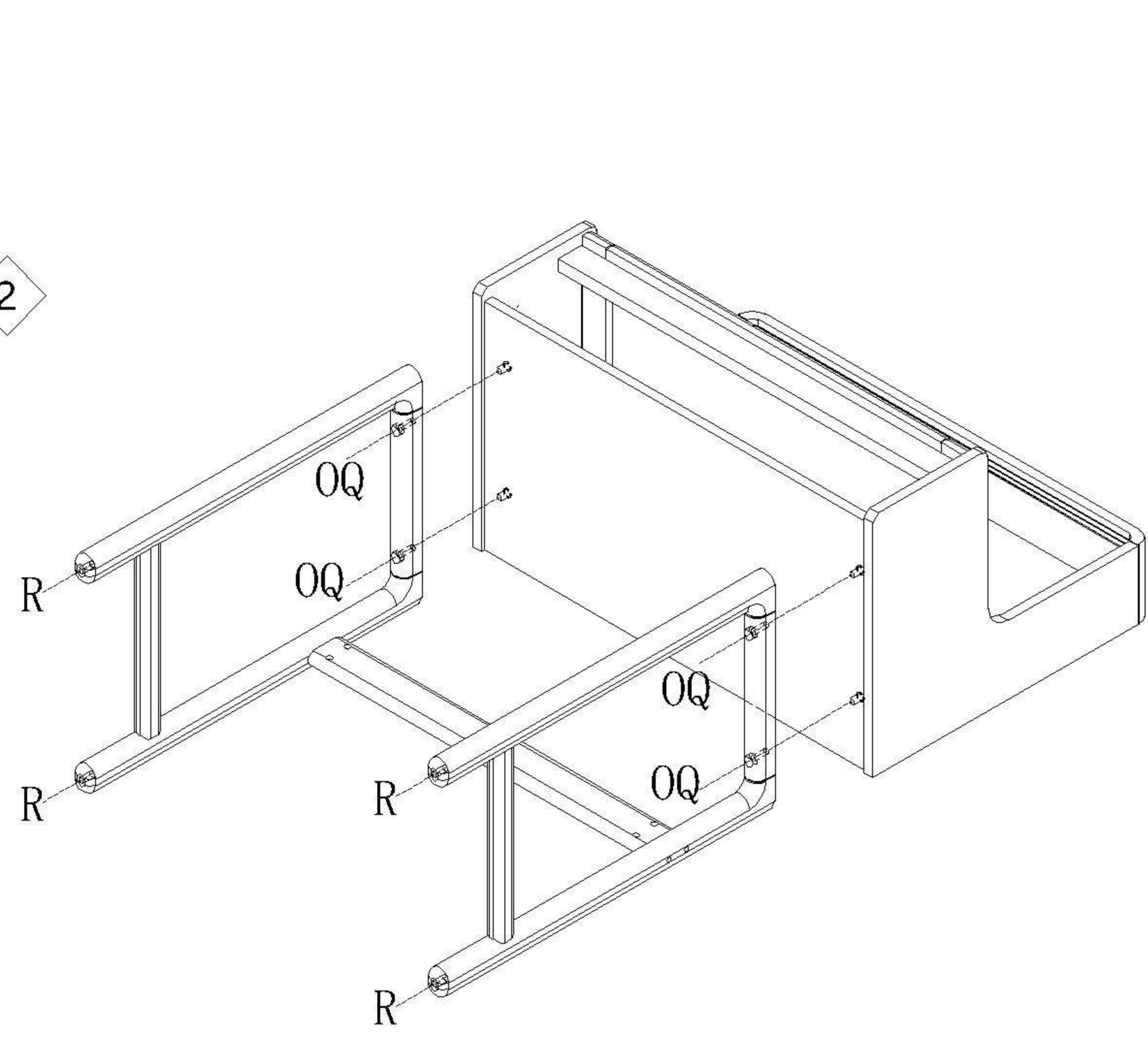
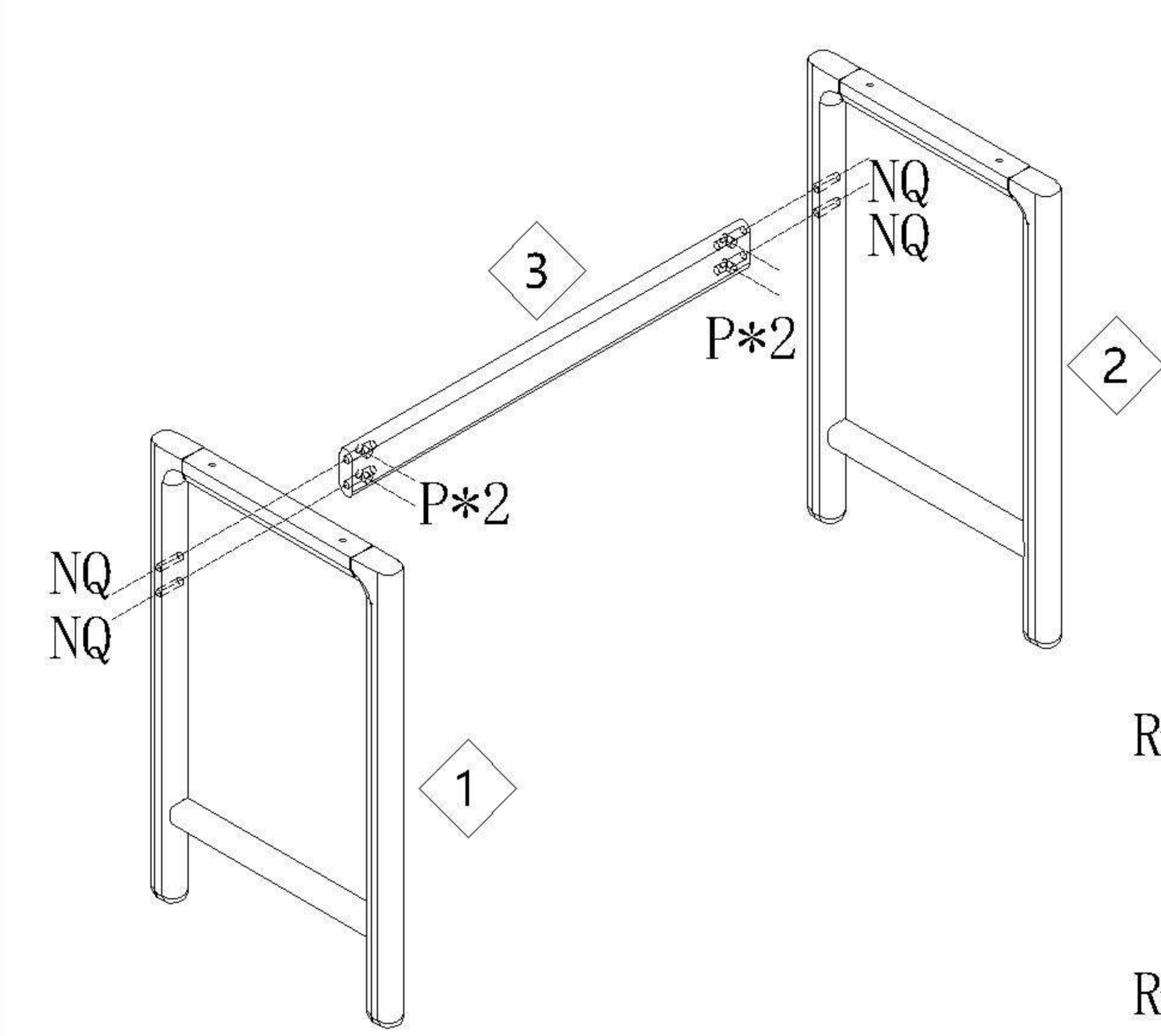
后after



注: 将B对准A后推进去  
Note: align B with a  
and push it in

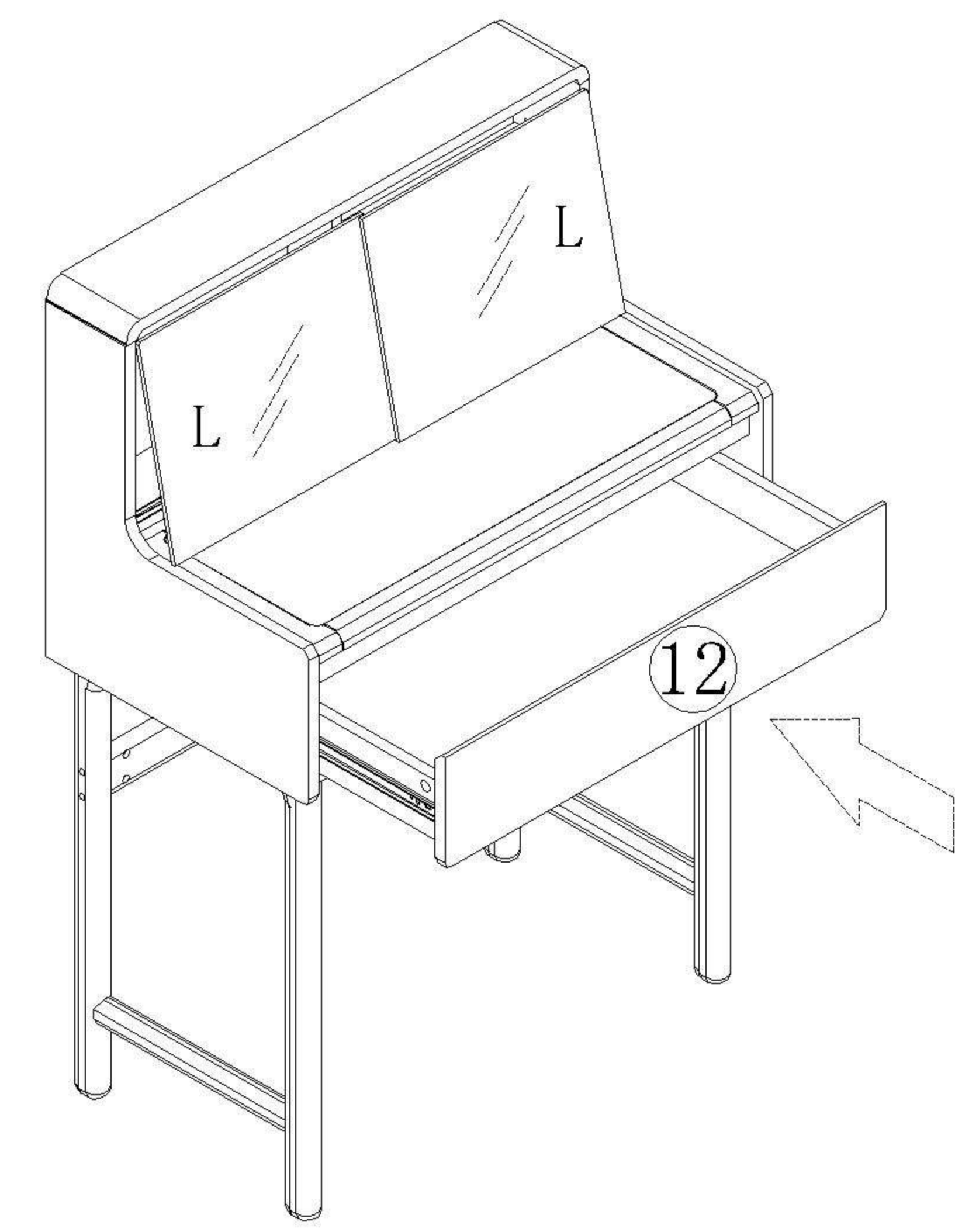
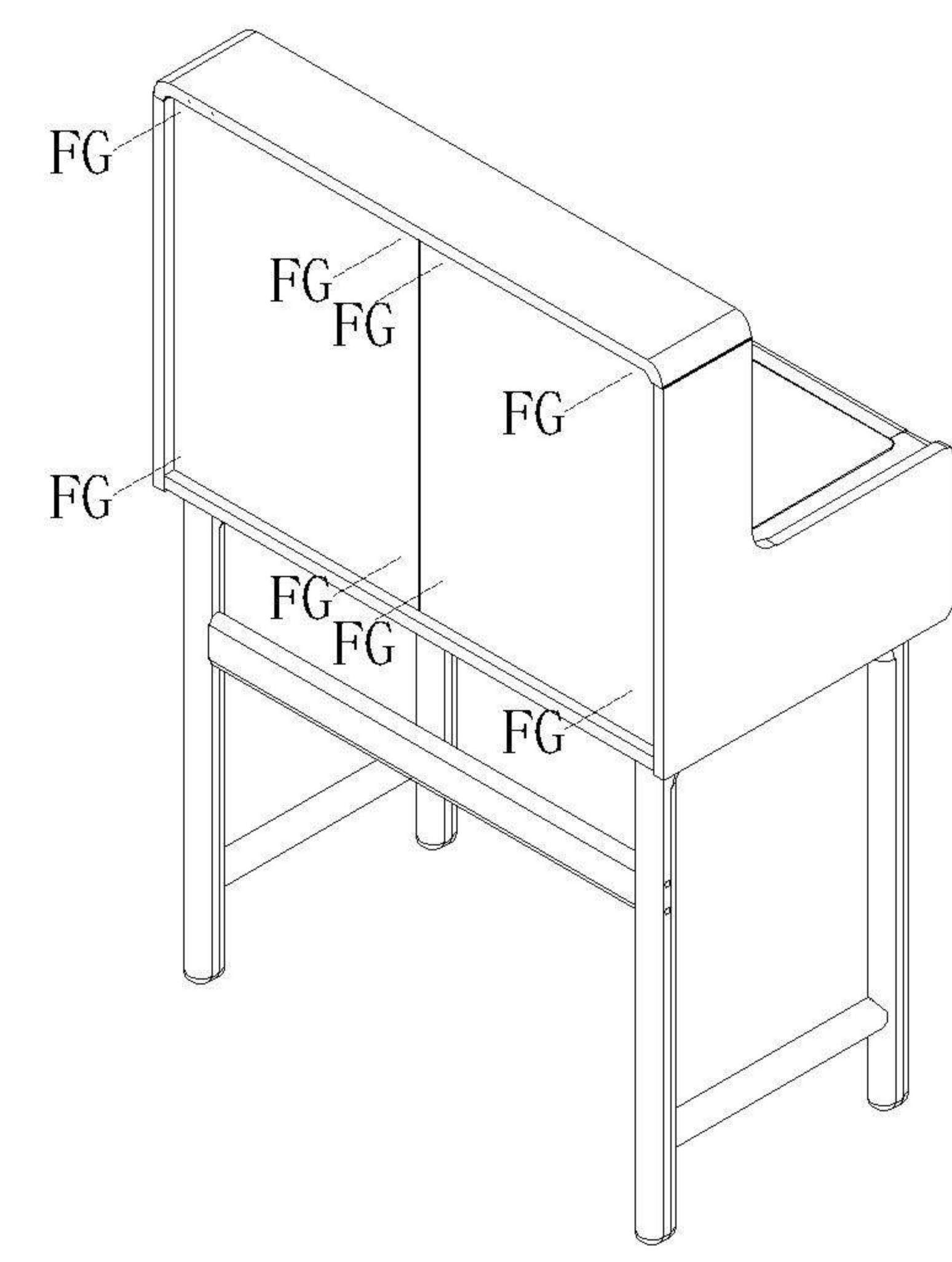
三节滚珠导轨  
three-section ball rail

- (D)\*4 (H)\*14 (I)\*4 (K)\*1 (N)\*4 (R)\*4 (O)\*4 (P)\*4 (Q)\*1



(K) 主轨  
Main rail

- (F)\*8 (G)\*8 (L)\*2

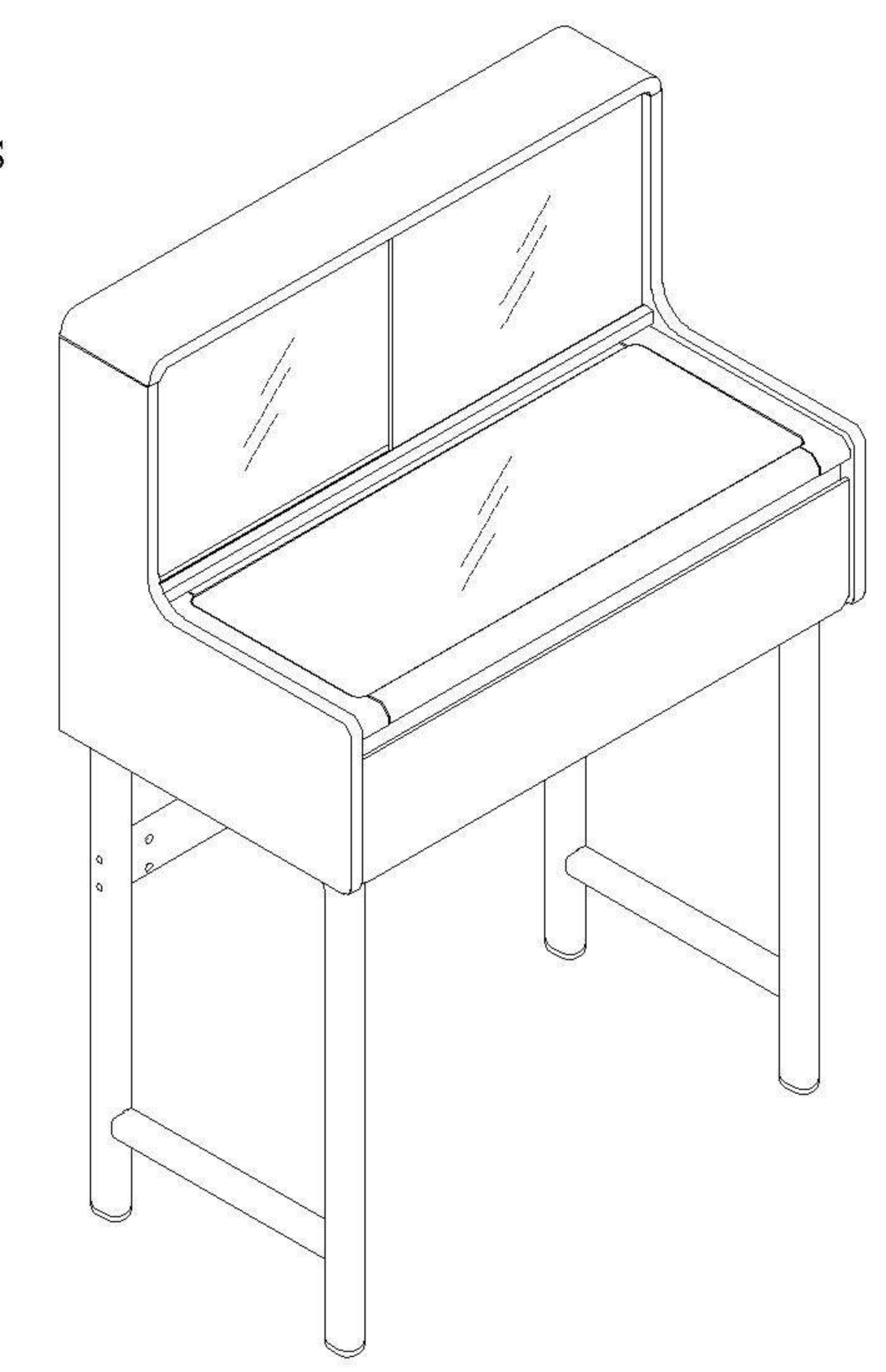


12

UD1C-A 常规款妆台  
产品规格Specification: 700\*397.5\*1070mm

该组合所包含的产品如下:  
The products included in this  
combination are as follows:

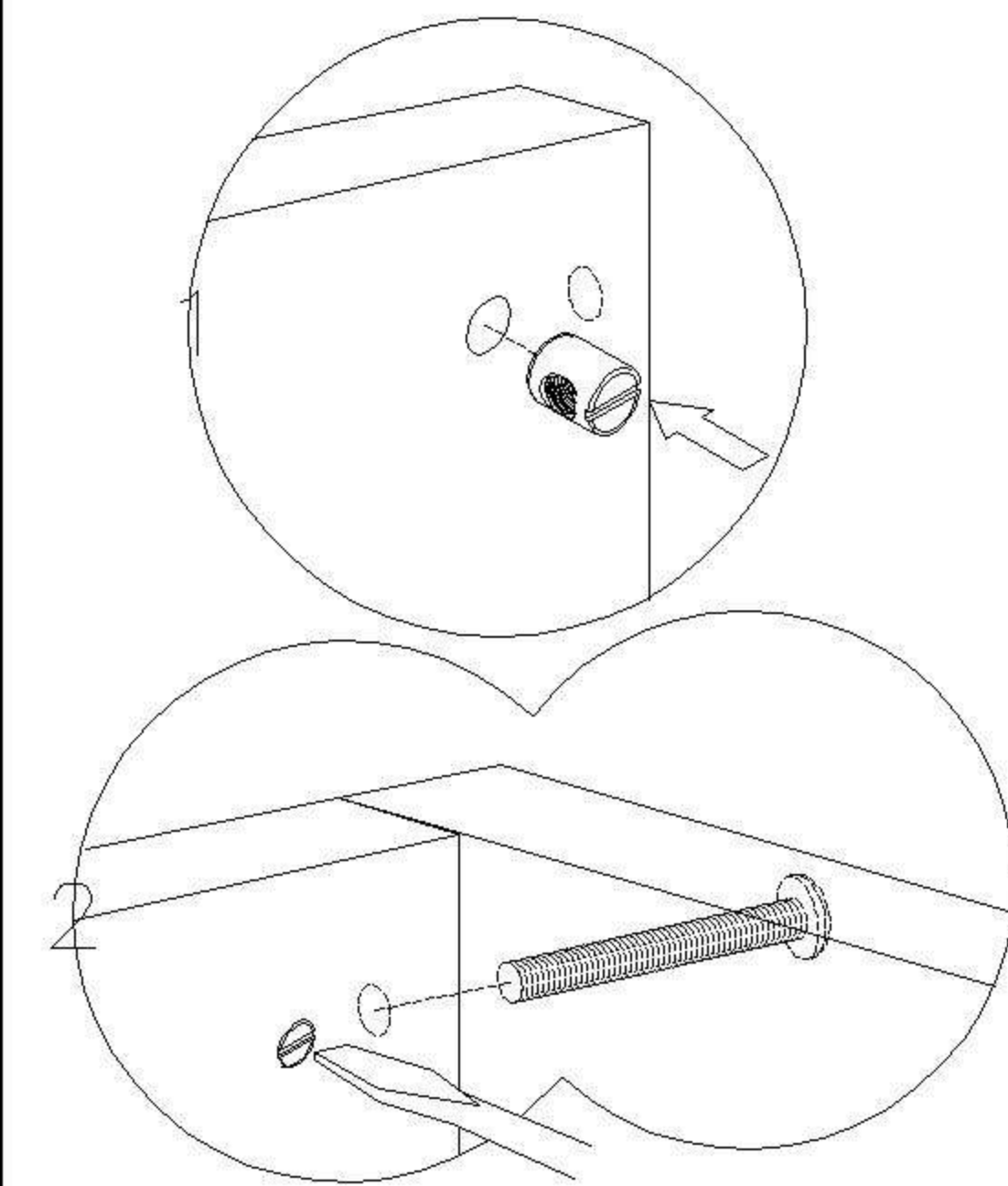
- UD1C-A 妆台主体  
UD1C-A Dressing Table Body
- UD1C-A 常规款妆台脚架  
UD1C-A Dressing Table foot  
(Regular style)



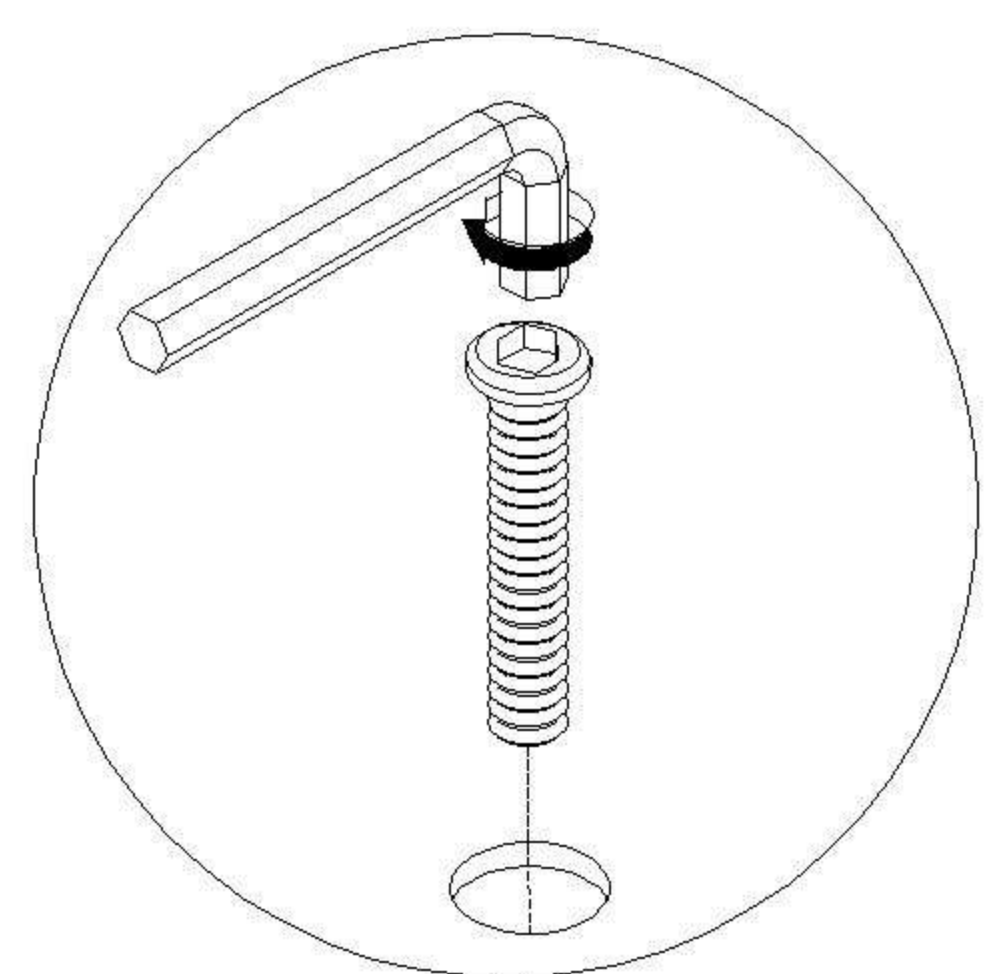
6

UD1C-A

安装方法/  
Installation method

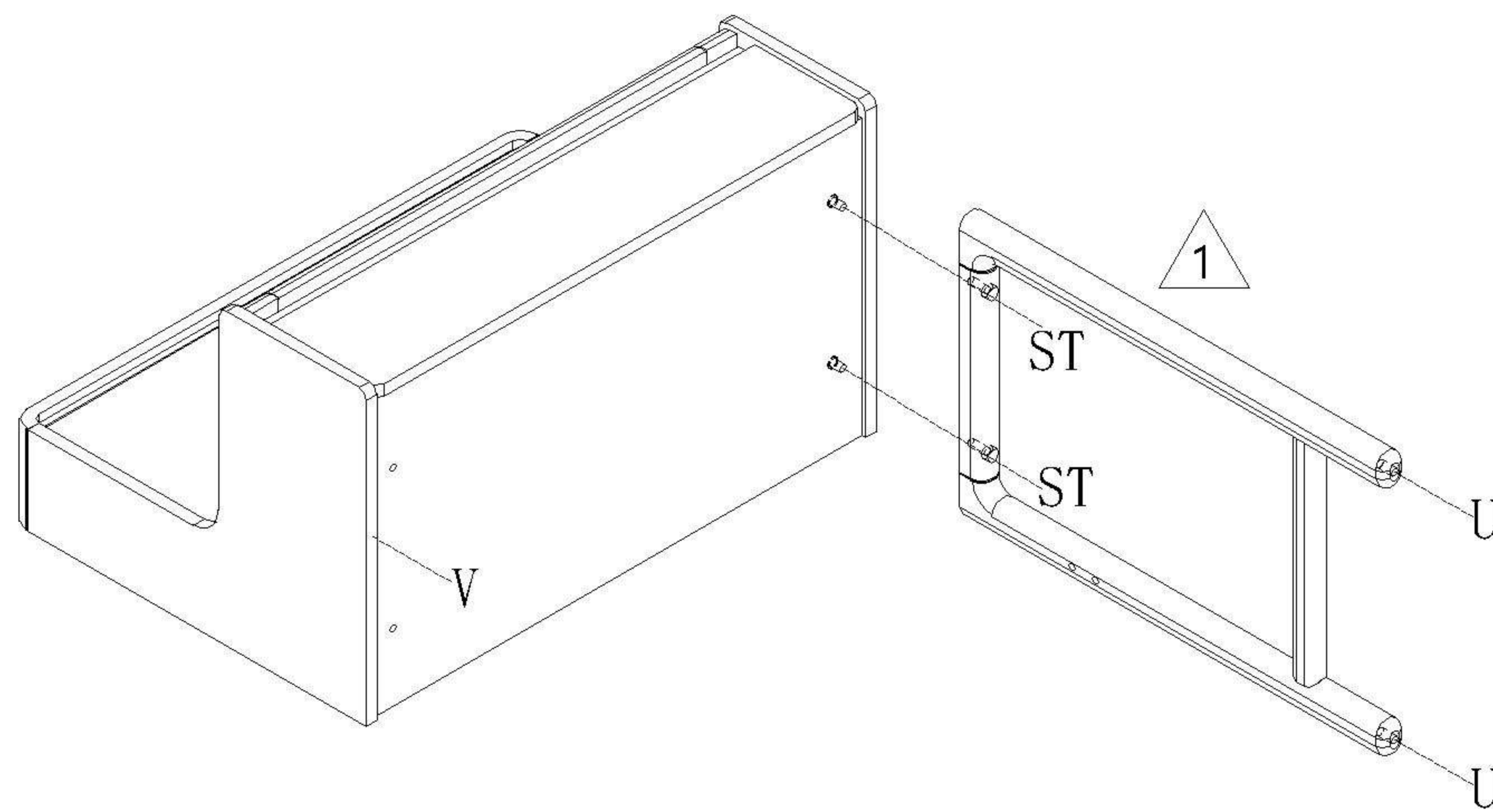


锤母  
Hammer nut

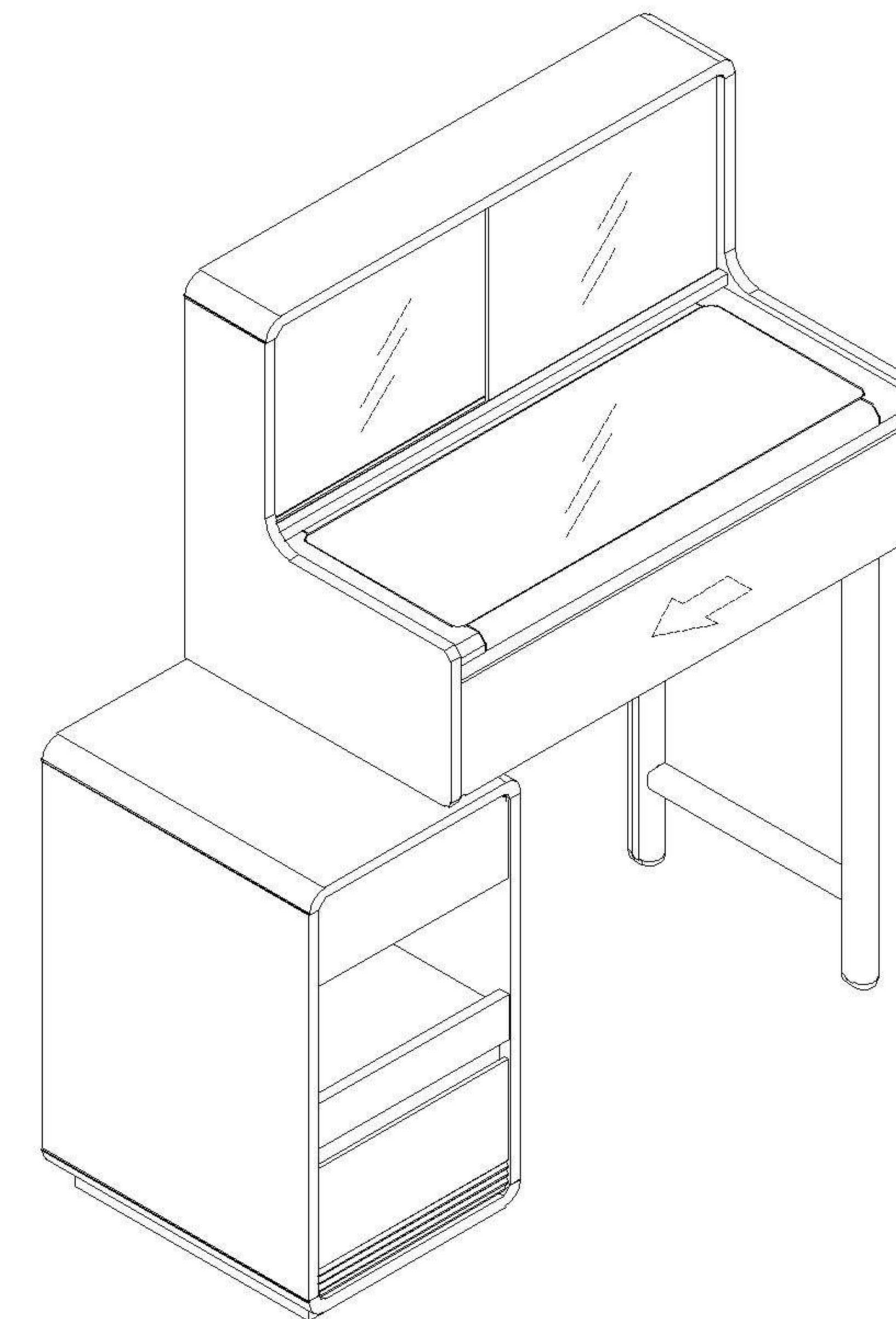


斜边内六角螺杆  
Beveled hexagon socket head screw

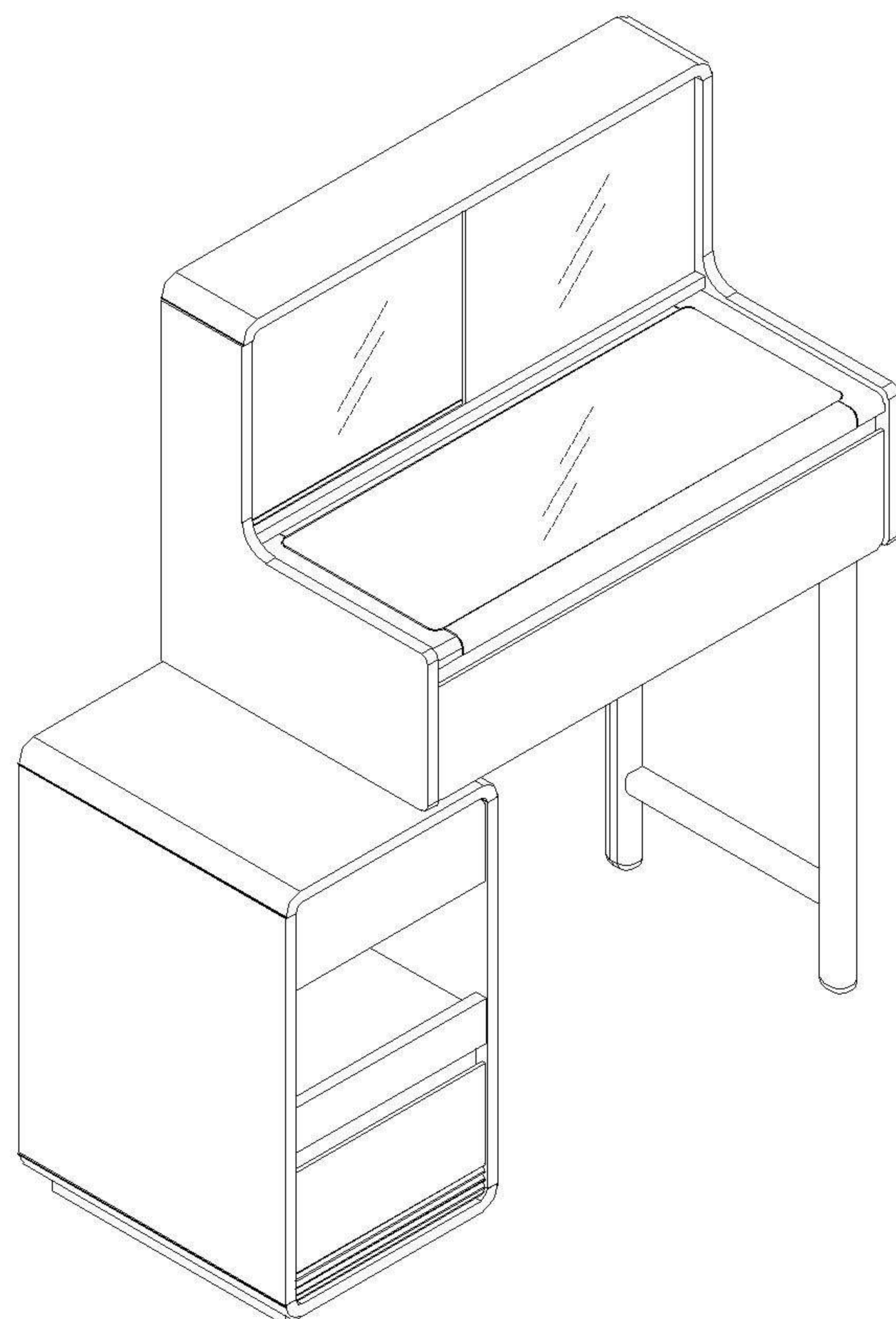
- (S)\*2
- (T)\*1
- (U)\*2
- (V)\*1



7



8

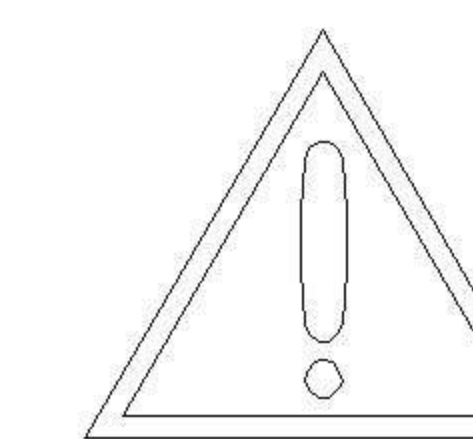
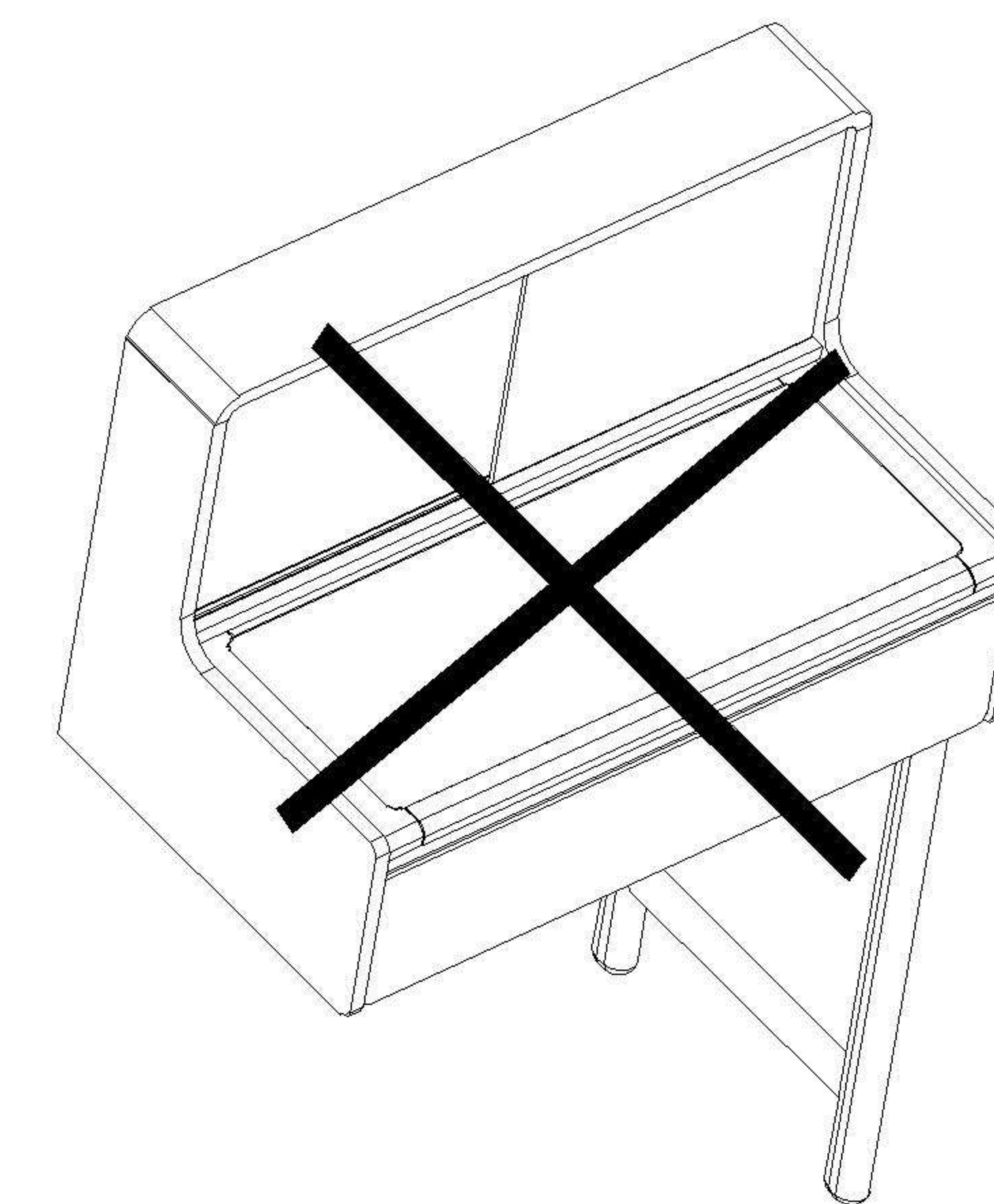


**注意!**  
请适当调整妆台长度，使妆台稳固不易倾倒。座位净空最长不长于530mm  
**Attention!**  
Please adjust the length of the dressing table appropriately to make it stable and not prone to tipping. The maximum headroom of the seat shall not exceed 530mm

UD1C-A 伸缩款妆台  
产品规格Specification: 903\*398\*1070mm

该组合所包含的产品如下:  
The products included in this combination are as follows:

- UD1C-A 妆台主体
- UD1C-A Dressing Table Body
- UD1C-A 伸缩款妆台 脚架
- UD1C-A Dressing Table foot(Stretchable style)
- UD1B-A 窄床头柜
- UD1B-A Small Night Stand

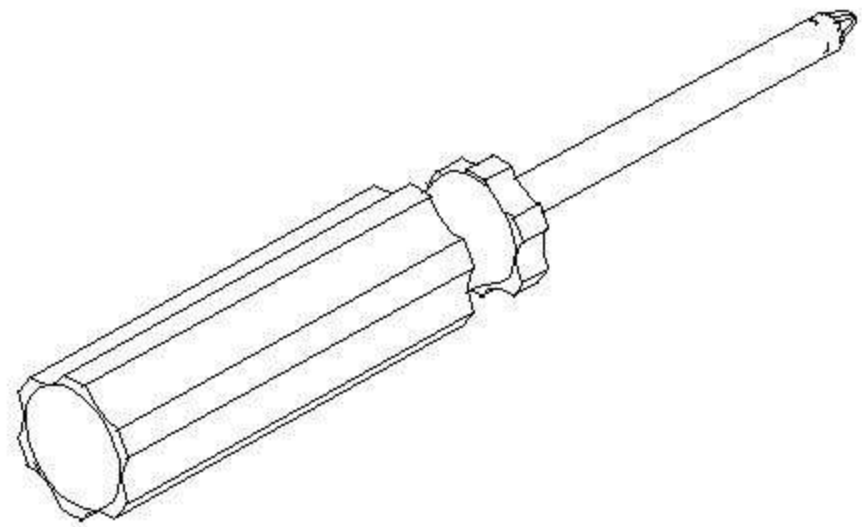
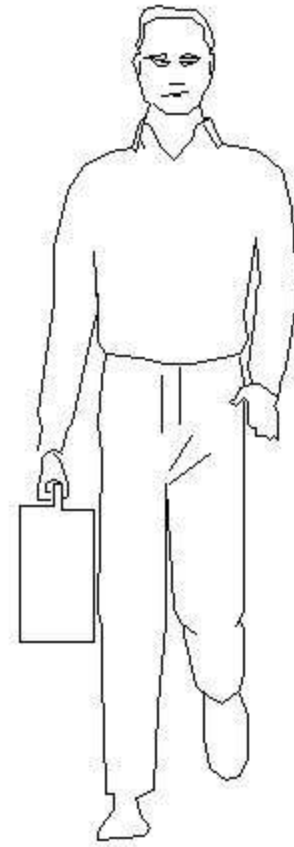


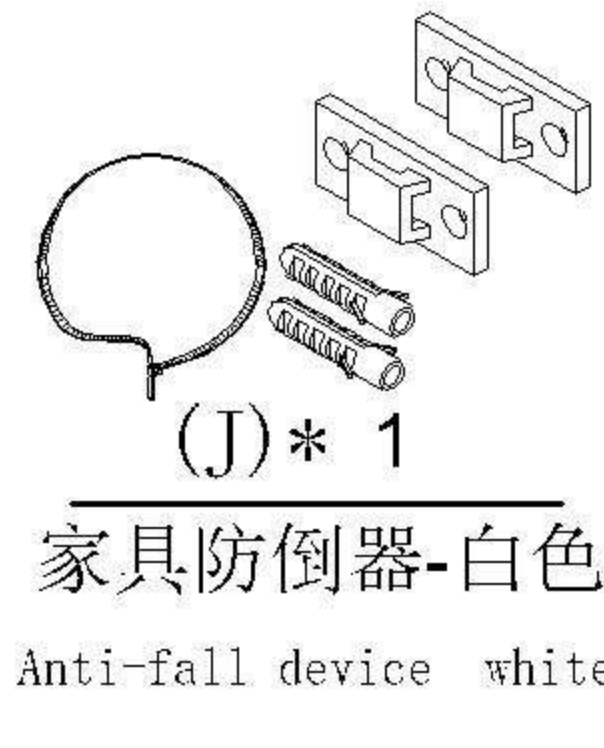
**注意!**  
使用产品时请适当调整主柜与边柜组合间距离，单独放置会有倾倒的风险。  
**Be careful!**

Please properly adjust the distance between the attached and main cabinet. Placing the main cabinet alone will have a risk of dumping.

9

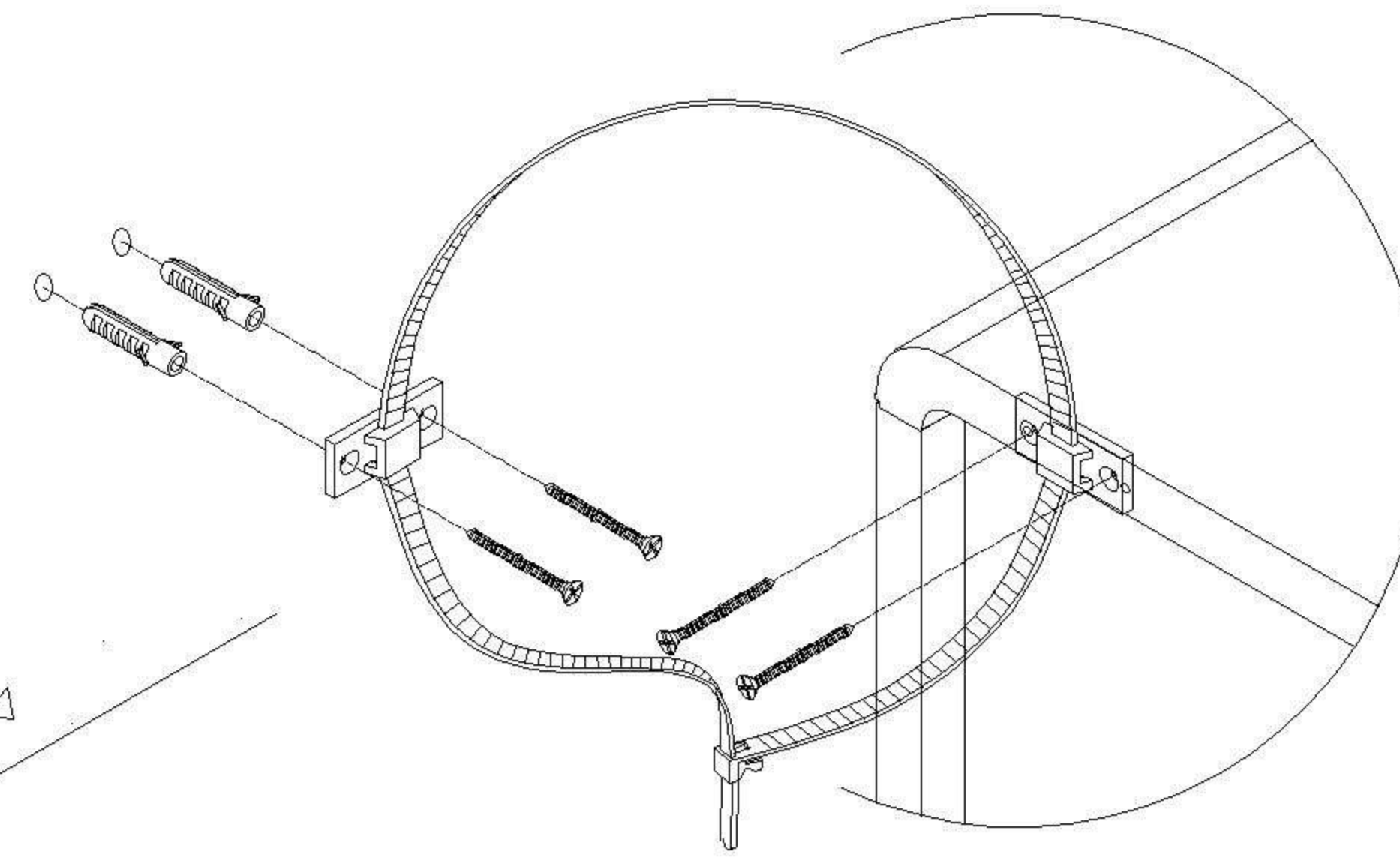
## 安装示意图/Assembly Instruction

产品名称 Model NO.	Anti-fall device
产品规格 Specification	UD1C-A
安装工具 Tool	安装人数 Installer
	



10

11



J处放大图  
Enlarged view at J

实体墙  
Solid wall

