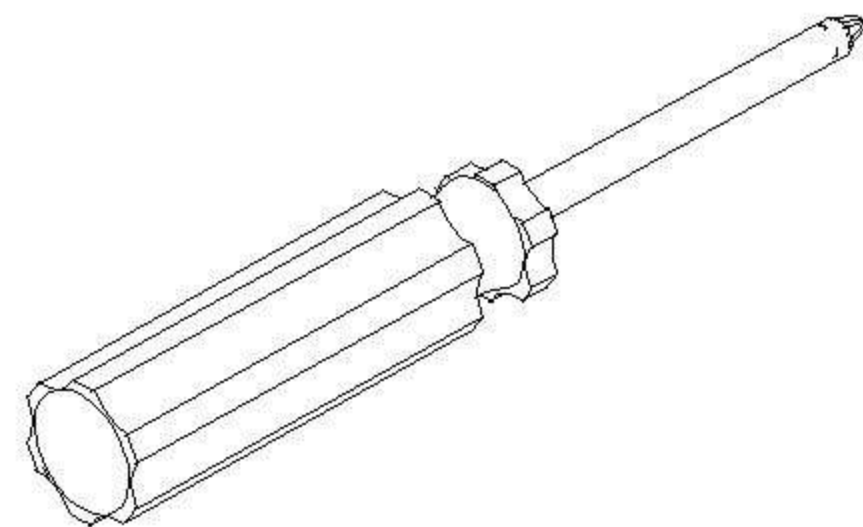
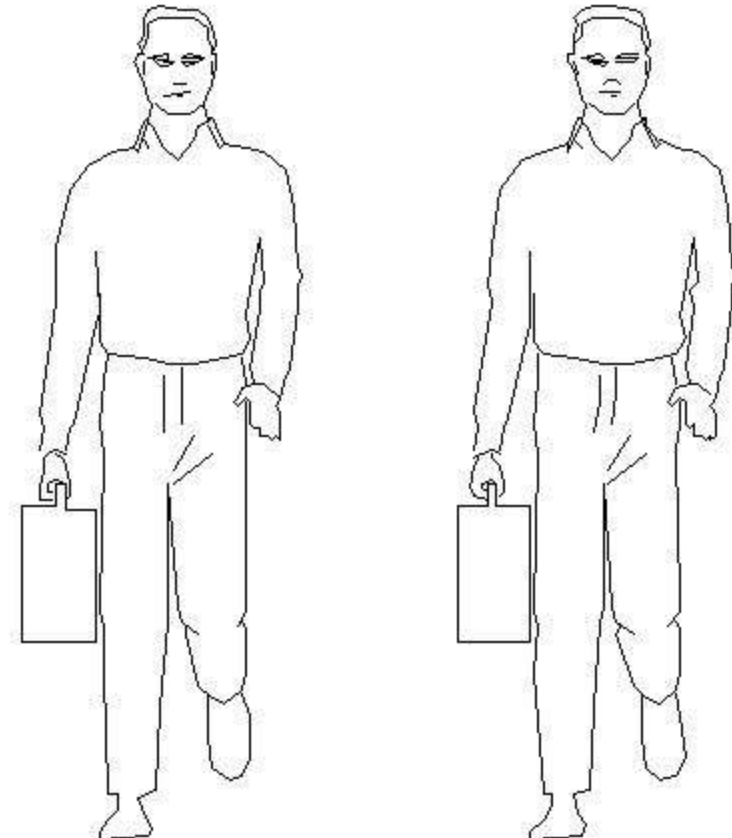


LINSY 林氏家居

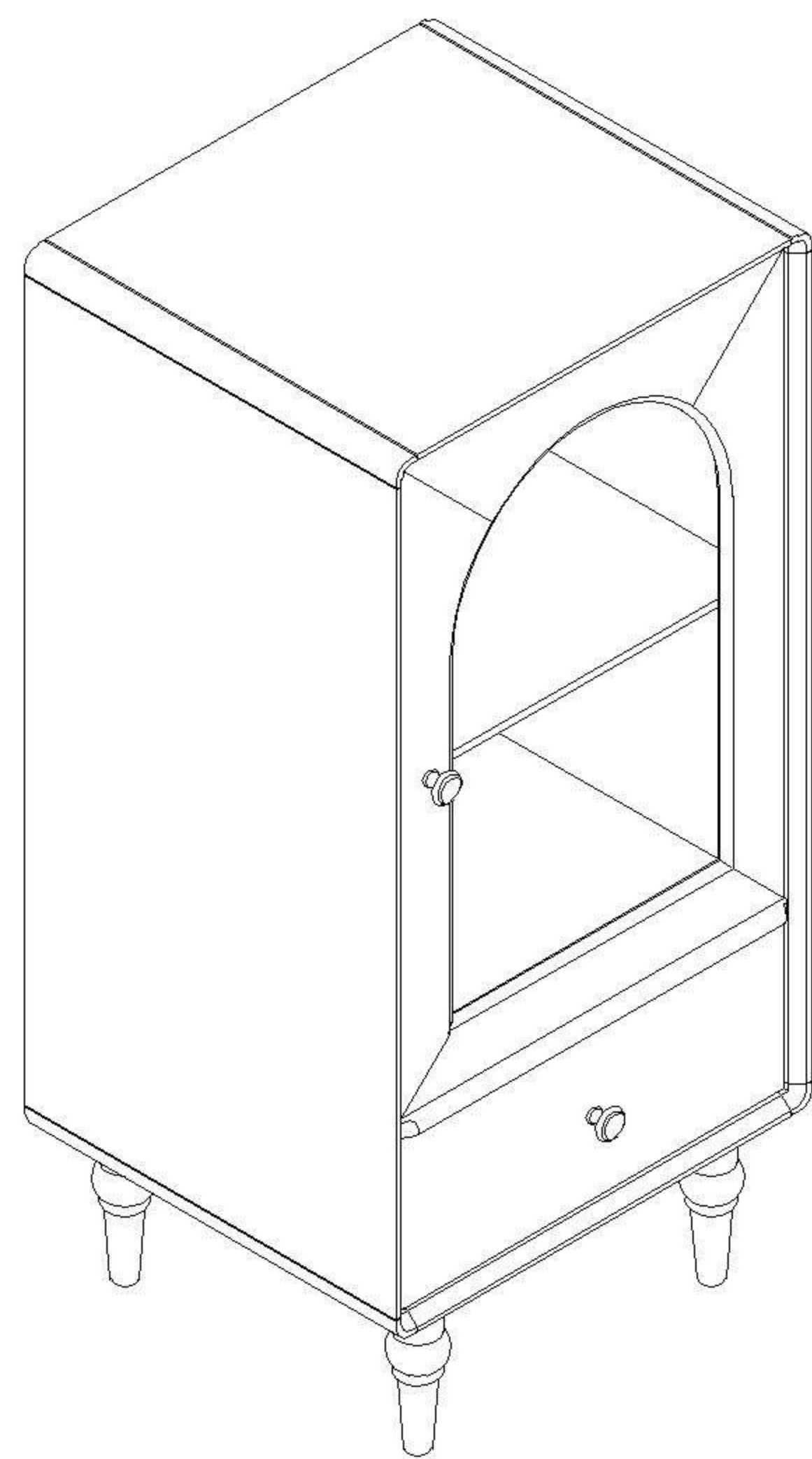
五金表/Hardware list

部件表/Parts List

安装示意图/Assembly Instruction

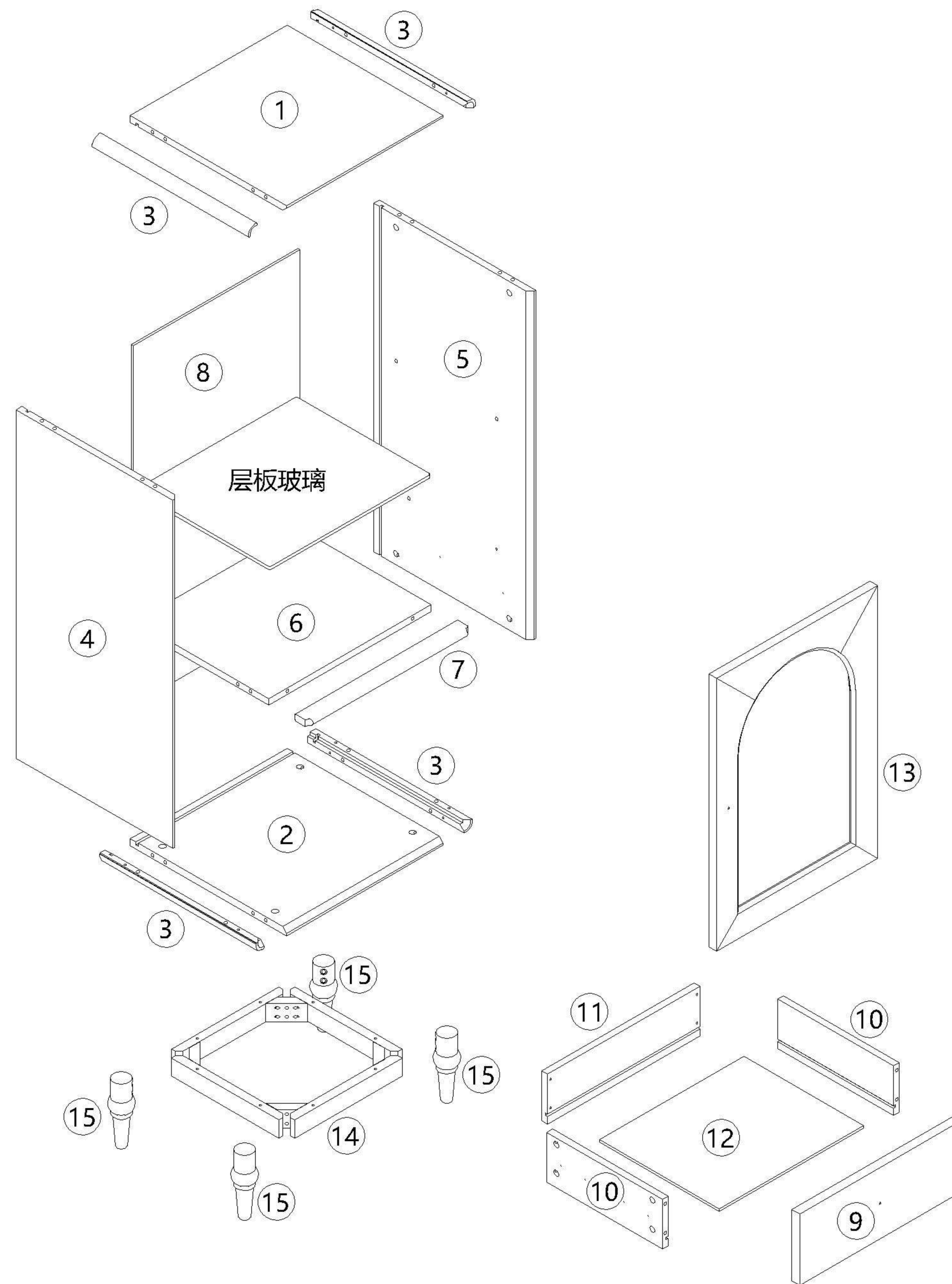
产品名称 Model NO.	VE1M-B
产品规格 Specification	444*414*968mm
安装工具 Tool	安装人数 Installer
	

注：为保证设计效果，部分尺寸为定制尺寸，不影响使用。



 (A)* 32 二合一螺杆 2-in-1-screw	 (B)* 32 大三合一锁饼 Three-in-one large lock	 (C)* 21 木榫Ø8x30mm wood tenon	 (D)* 13 自攻螺丝M3.5x12mm Self-tapping screw
 (E)* 1 透气孔盖-白色 Vent cover - white	 (F)* 2 拉手 handle	 (G)* 2 拉手螺丝-M4x25mm pulling screw	 (H)* 4 玻璃层板托杆/叉 Glass layer plate support rod/fork
 (I)* 8 自攻螺丝M4x10mm Self-tapping screw	 (J)* 1 内六角扳手4mm spanner-(4mm) hex	 (K)* 8 斜边内六角螺杆M6x60 Beveled hexagon socket head screw	 (L)* 4 透明防滑PVC胶塞 Rubber stopper
 (M)* 6 背板扣 Back Plate Buckle-White	 (N)* 6 自攻螺丝M3.5x16mm Self-tapping screw	 (O)* 2 缓冲门铰大弯-杯径Ø35 Hinge big bends diameter 35	 (P)* 1 古铜色消音磁碰 magnetic catch
 (Q)* 1 三节滚珠导轨-10" three-section ball rail	 (R)* 1 层板玻璃 Laminated glass	 (S)* 1 家具防倒器-白色 Anti-fall device white	

编号NO.	名称Name	规格(mm) Specification	数量QTY	材质Material
①	面板Top panel	400*398*15	1	刨花板 Particle Board
②	底板Bottom board	400*398*15	1	刨花板 Particle Board
③	转角木Corner connection wood	398*22*22	4	碳化白杨木直拼板 Carbonized poplar wood straight panel
④	左侧板Side board(L)	769*398*15	1	刨花板 Particle Board
⑤	右侧板Side board(R)	769*398*15	1	刨花板 Particle Board
⑥	层板Shelf	414*343*15	1	刨花板 Particle Board
⑦	装饰条Decorative strip	414*34*15	1	碳化白杨木直拼板 Carbonized poplar wood straight panel
⑧	背板Back board	793*424*5	1	纤维板 Fiberboard
⑨	抽屉面板Drawer's top panel	410*158*20	1	碳化白杨木直拼板 Carbonized poplar wood straight panel
⑩	抽屉侧板Drawer's sideboard	295*110*15	2	刨花板 Particle Board
⑪	抽屉后板Drawer's Back board	388*110*15	1	刨花板 Particle Board
⑫	抽屉底板Drawer's Bottom board	368*305*5	1	刨花板 Particle Board
⑬	门板组立Door plank assembly	602*410*20	1	碳化白杨木直拼板+玻璃 Carbonized poplar wood straight panel +Glass
⑭	底框Bottom frame	314*314*40	1	碳化白杨木直拼板 Carbonized poplar wood straight panel
⑮	脚Foot	150*50*50	4	碳化白杨木直拼板 Carbonized poplar wood straight panel



编号NO.

名称Name

①

面板Top panel

②

底板Bottom board

③

转角木Corner connection wood

④

左侧板Side board(L)

⑤

右侧板Side board(R)

⑥

层板Shelf

⑦

装饰条Decorative strip

⑧

背板Back board

⑨

抽屉面板Drawer's top panel

⑩

抽屉侧板Drawer's sideboard

⑪

抽屉后板Drawer's Back board

⑫

抽屉底板Drawer's Bottom board

⑬

门板组立Door plank assembly

⑭

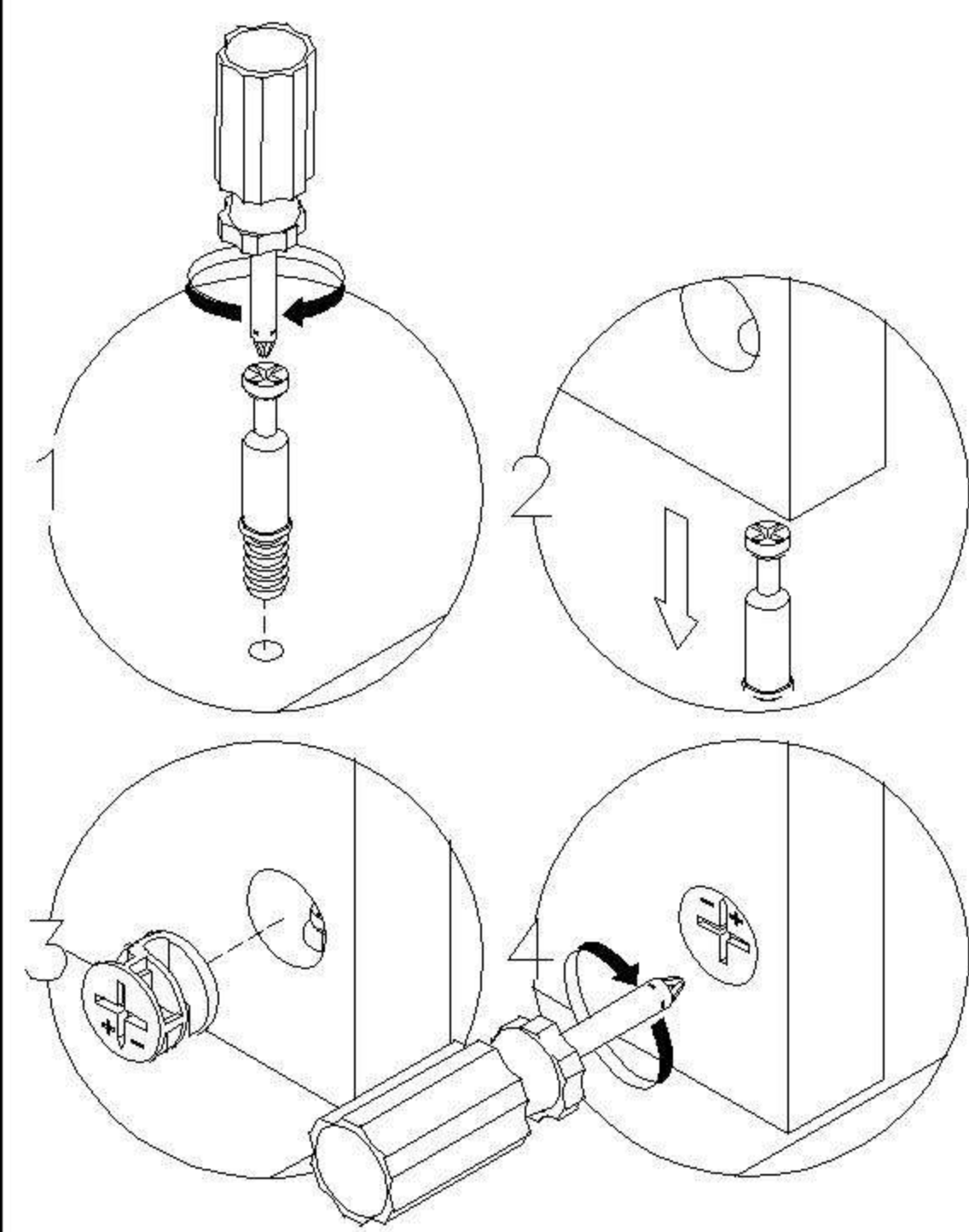
底框Bottom frame

⑮

脚Foot

VE1M-B

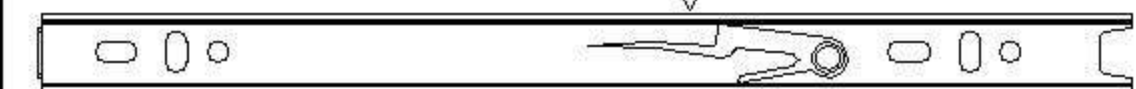
安装方法/
Installation method



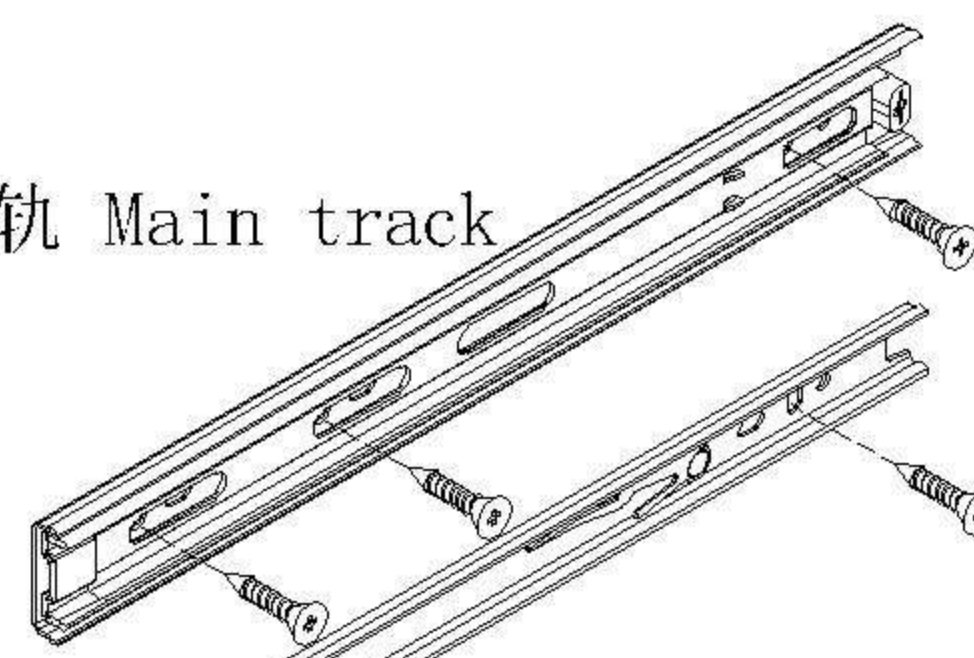
二合一 two-in-one

阀门开关(下压为开)
Valve switch (press down to open)

前 Forward 后 Back

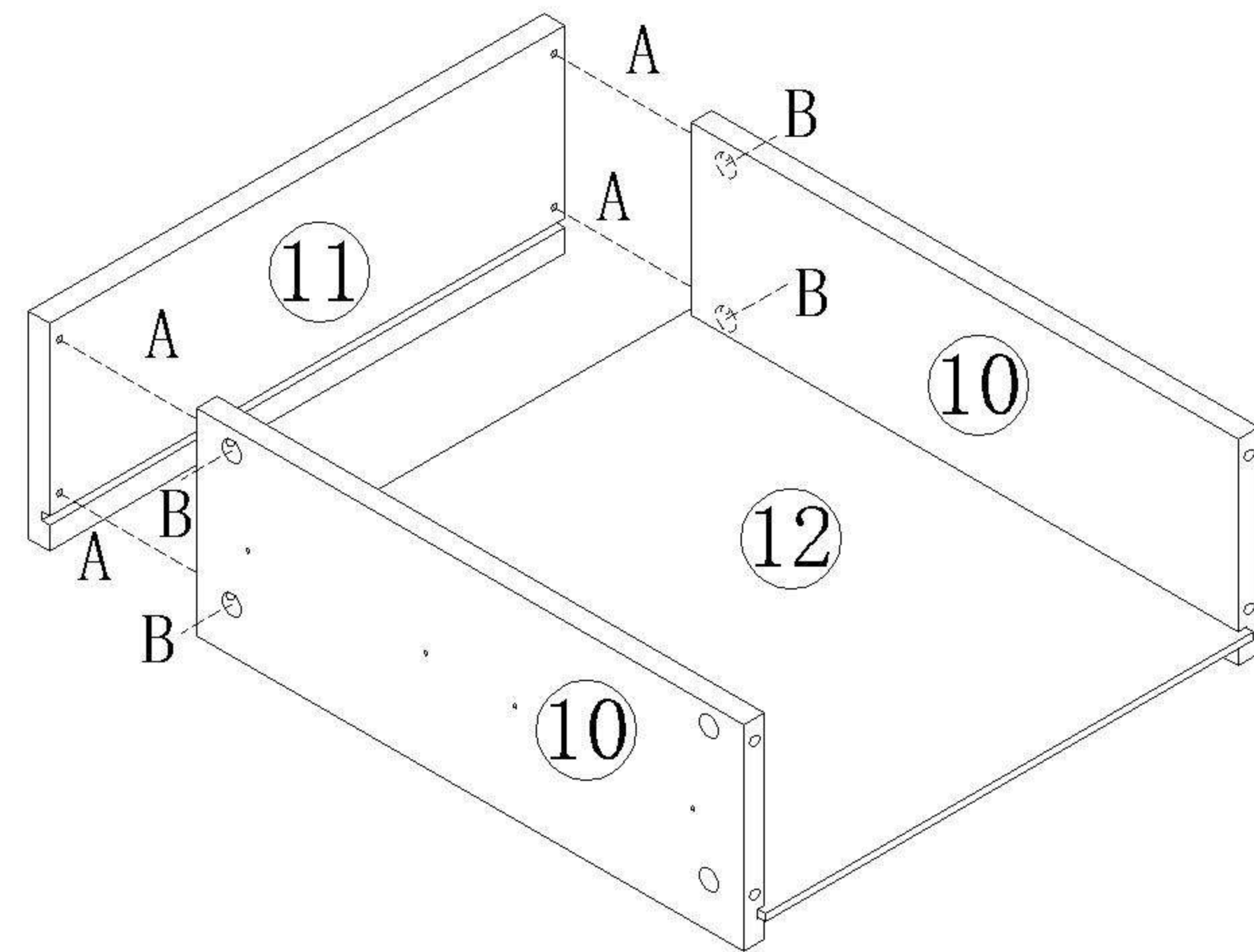
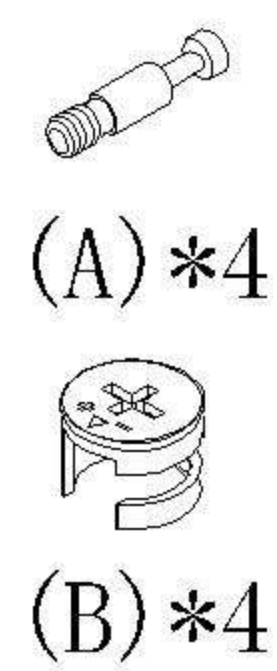


主轨 Main track

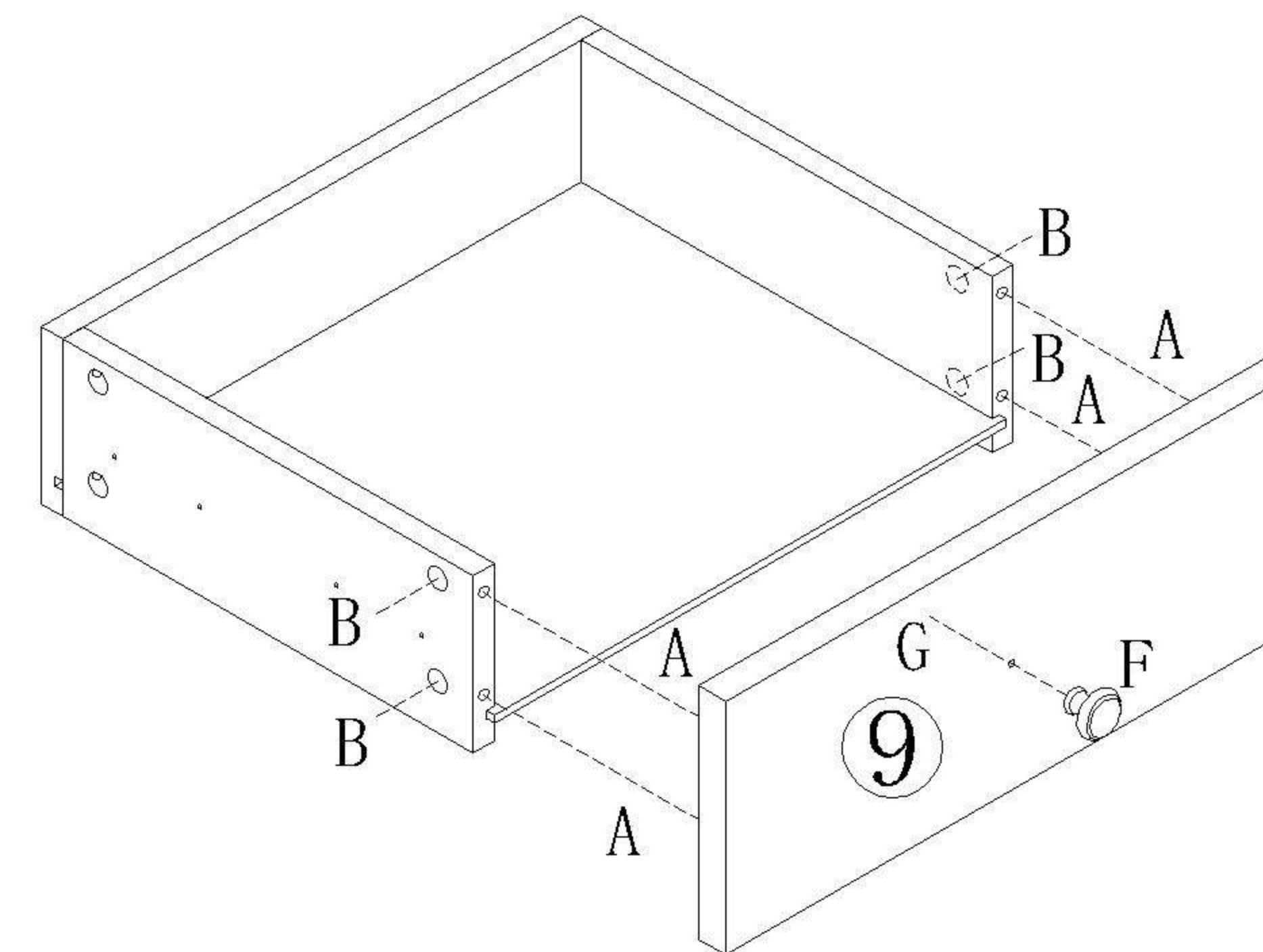
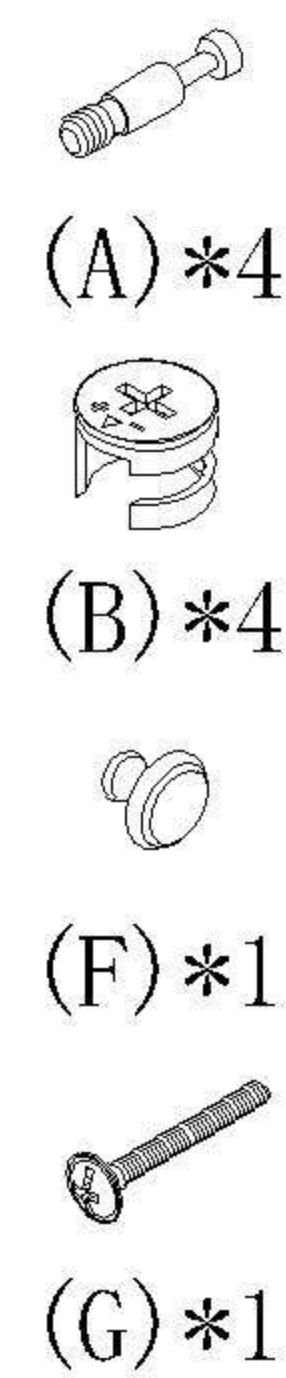


副轨 Sub track

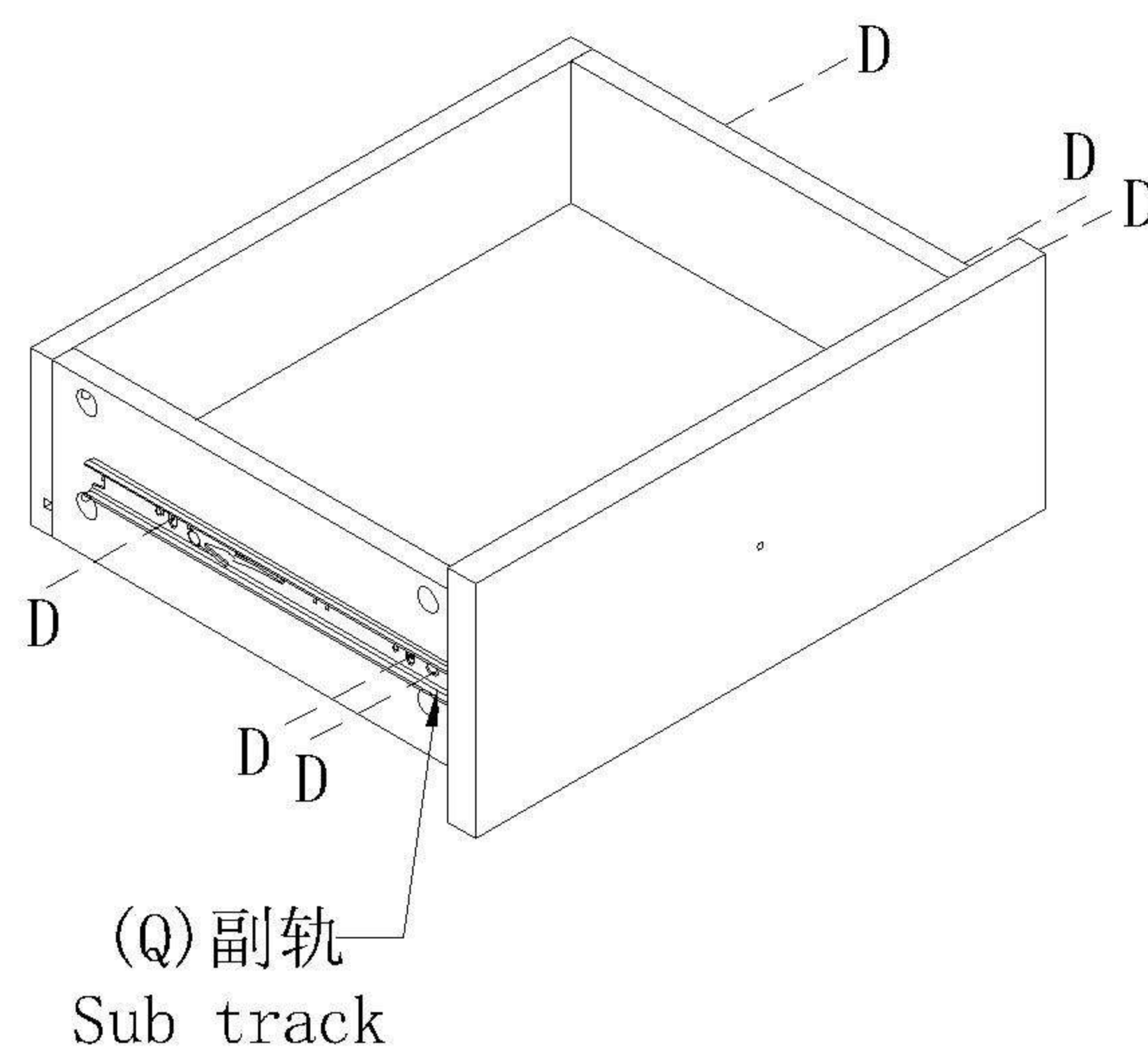
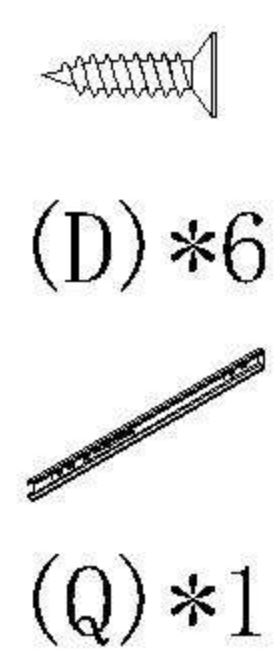
三节滚珠导轨
Three-section rail



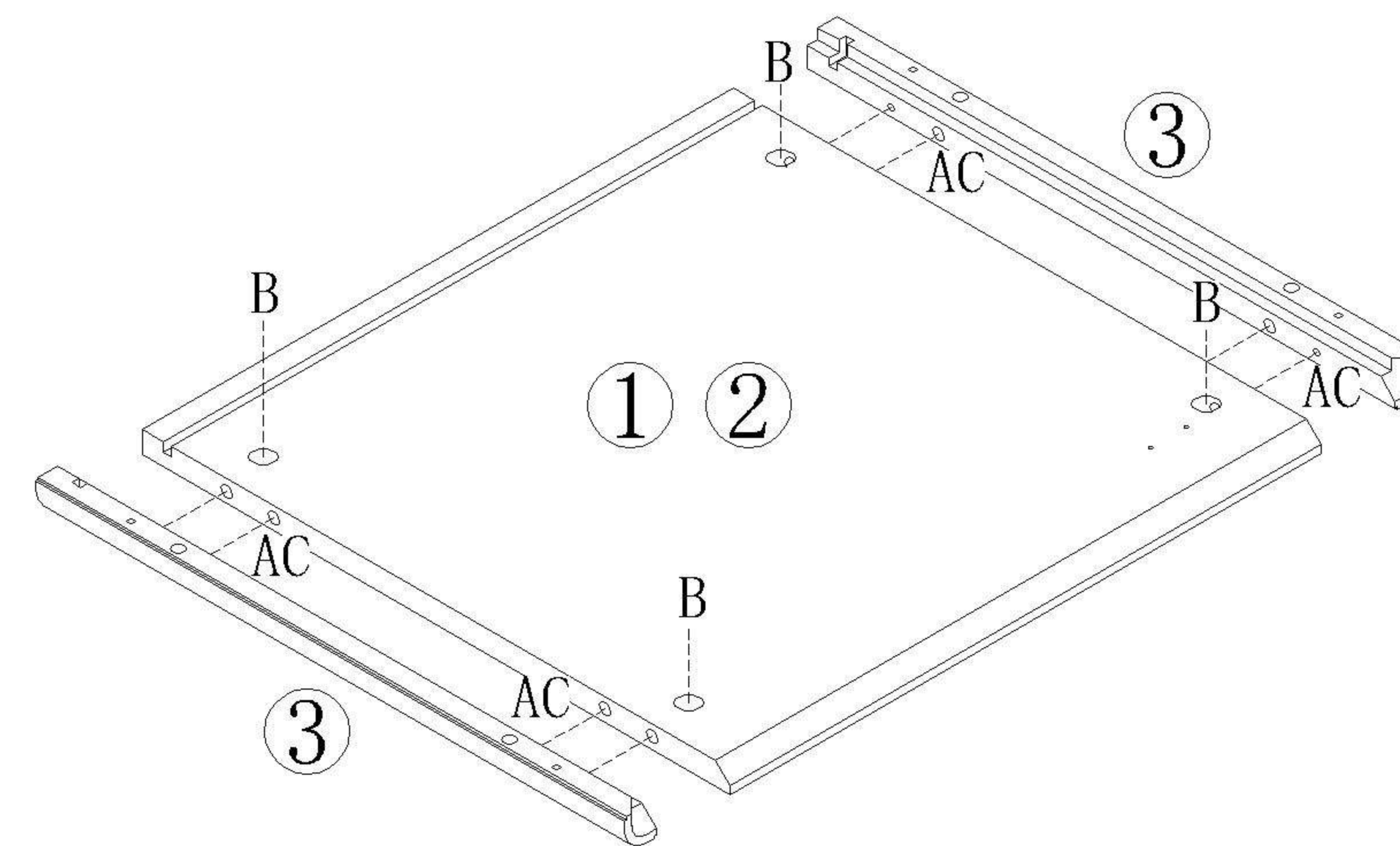
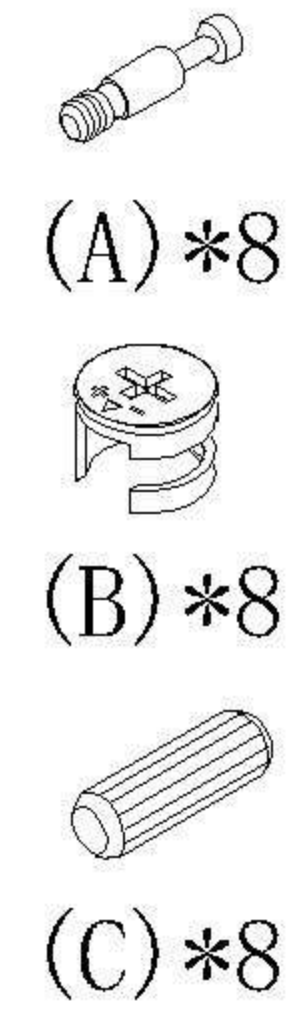
1



2



3

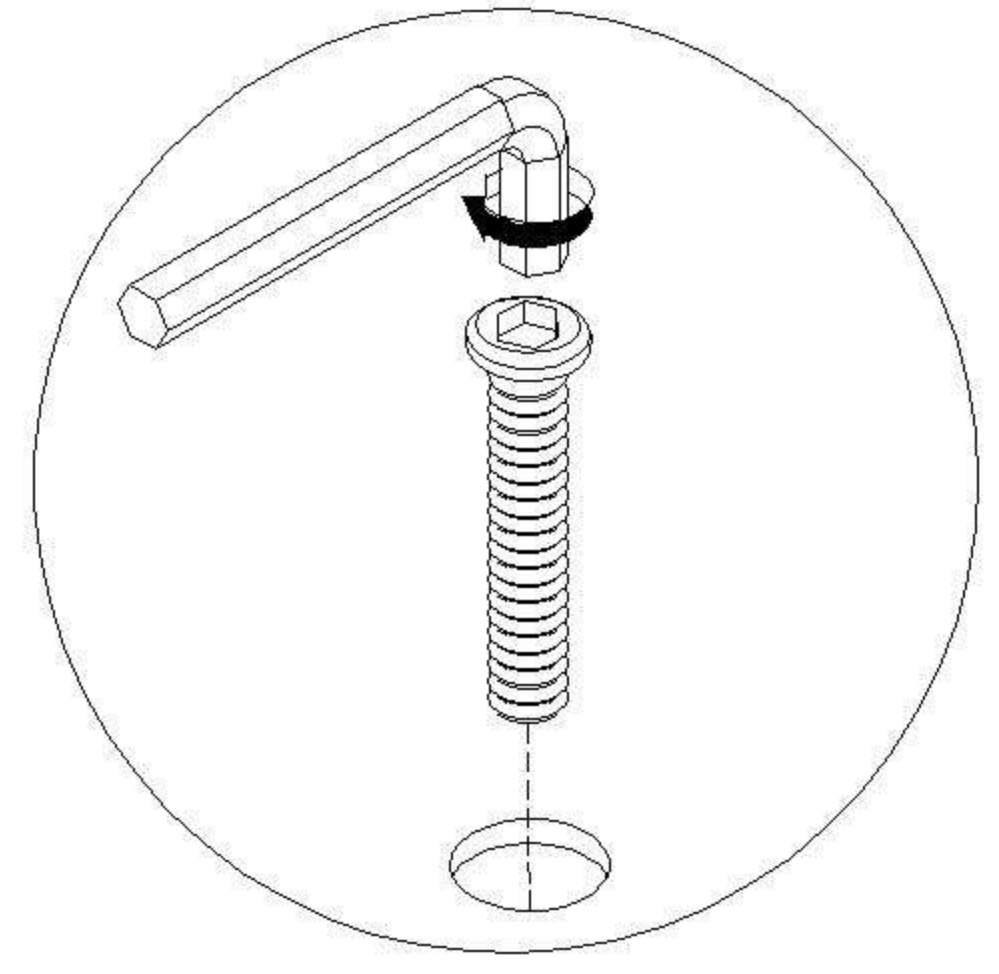


4

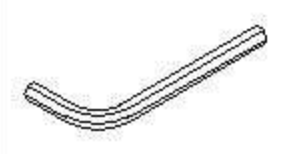
X2

VE1M-B

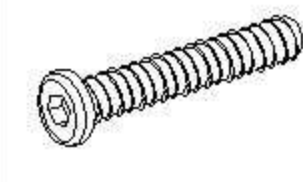
安装方法/
Installation method



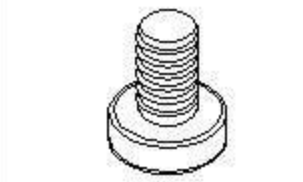
斜边内六角螺杆
Beveled hexagon socket head screw



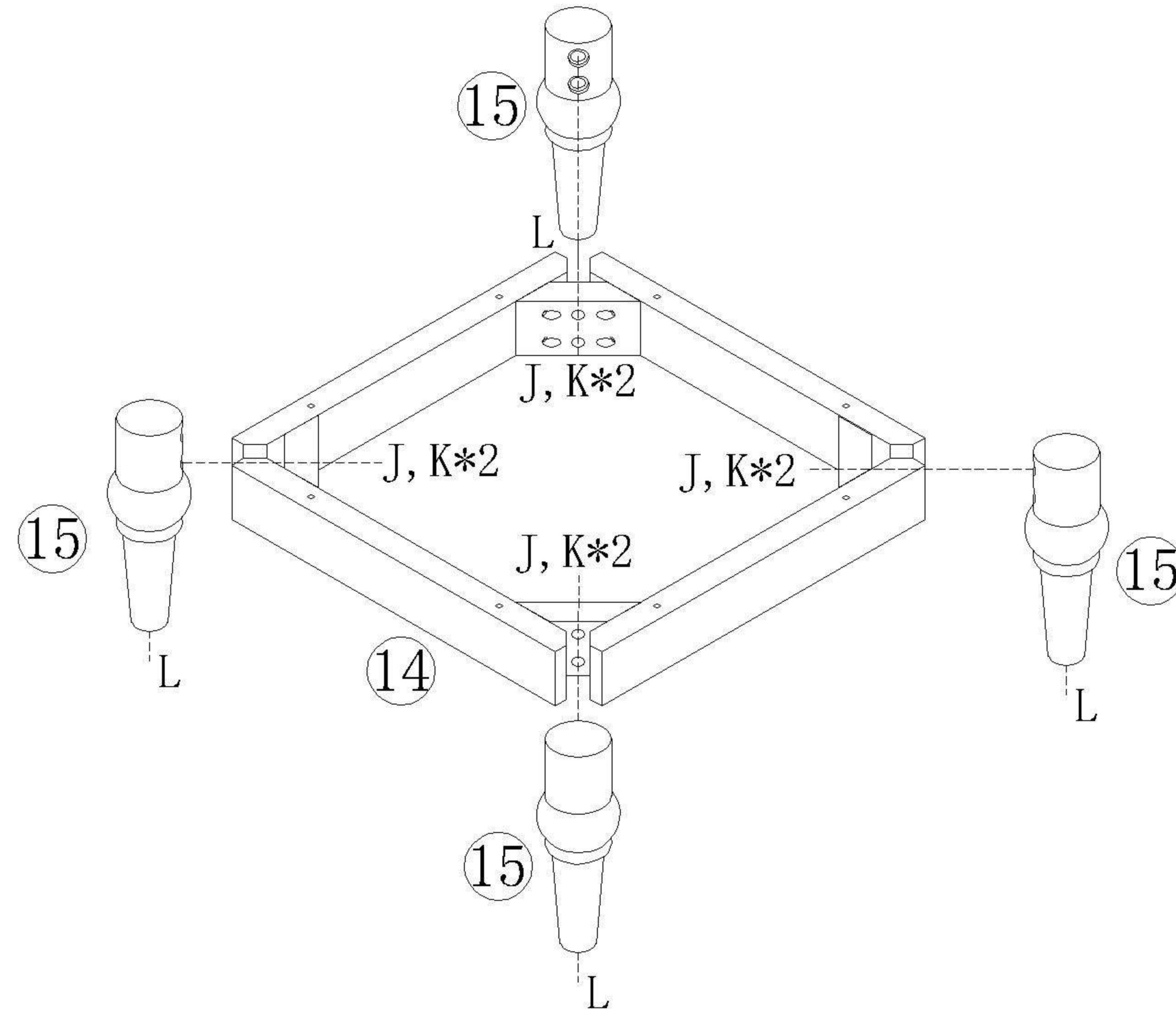
(J)*1



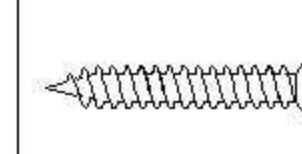
(K)*8



(L)*4

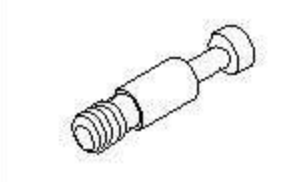
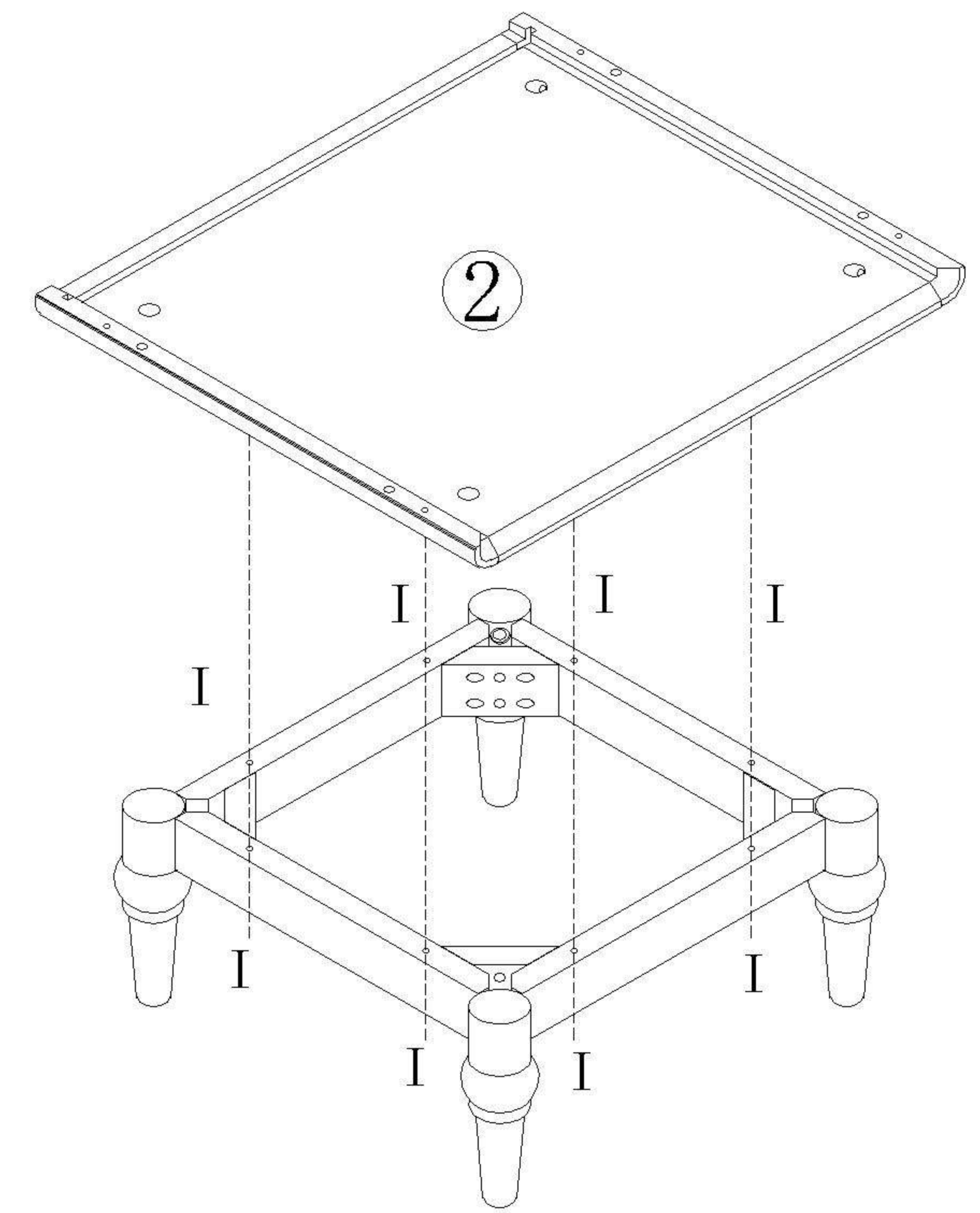


5

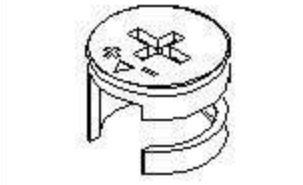


(I)*8

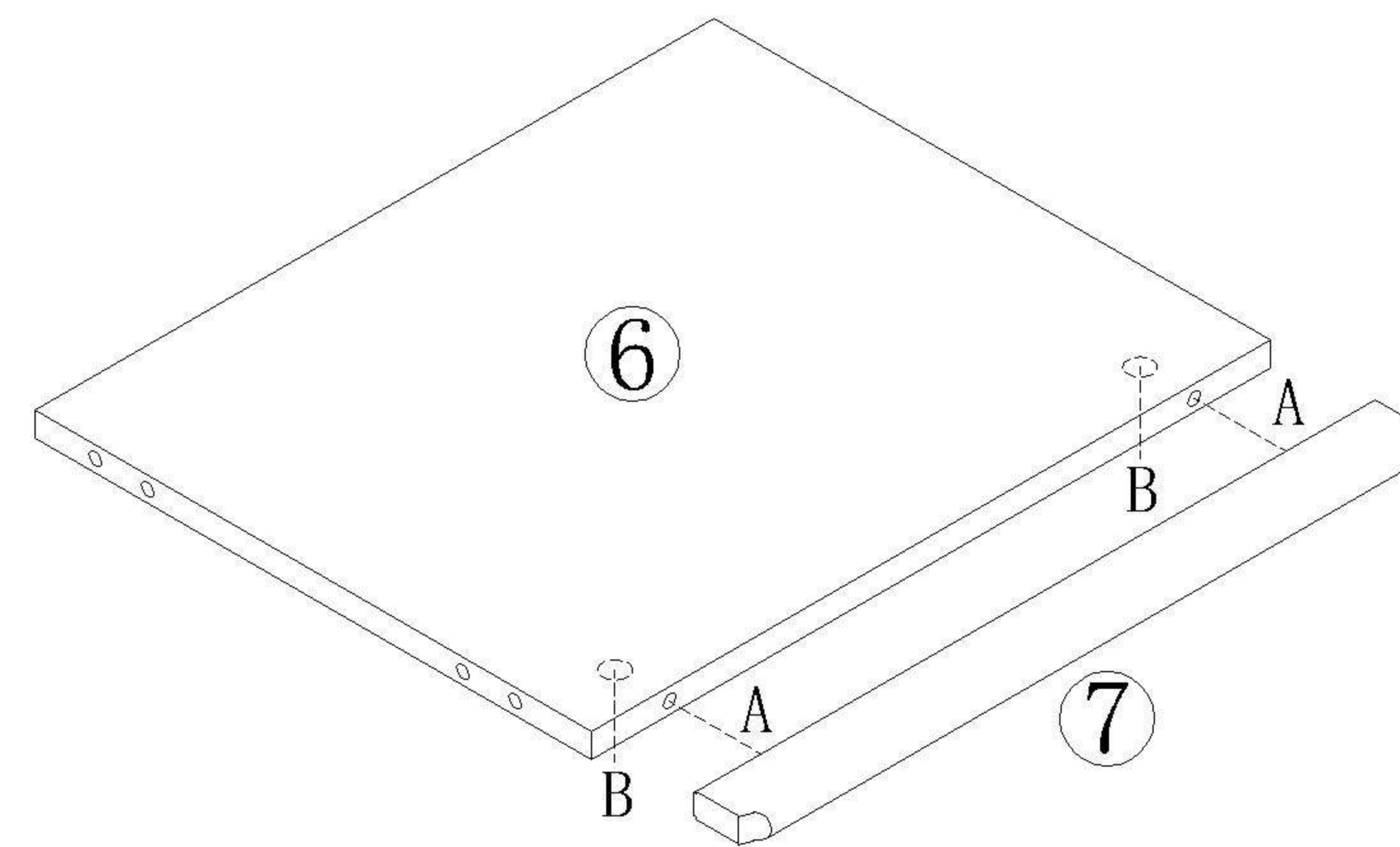
6



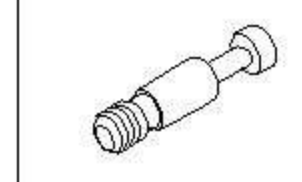
(A)*2



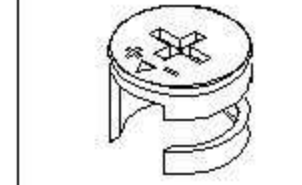
(B)*2



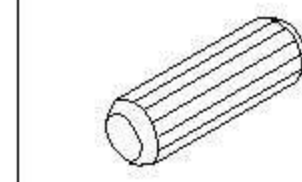
7



(A)*4

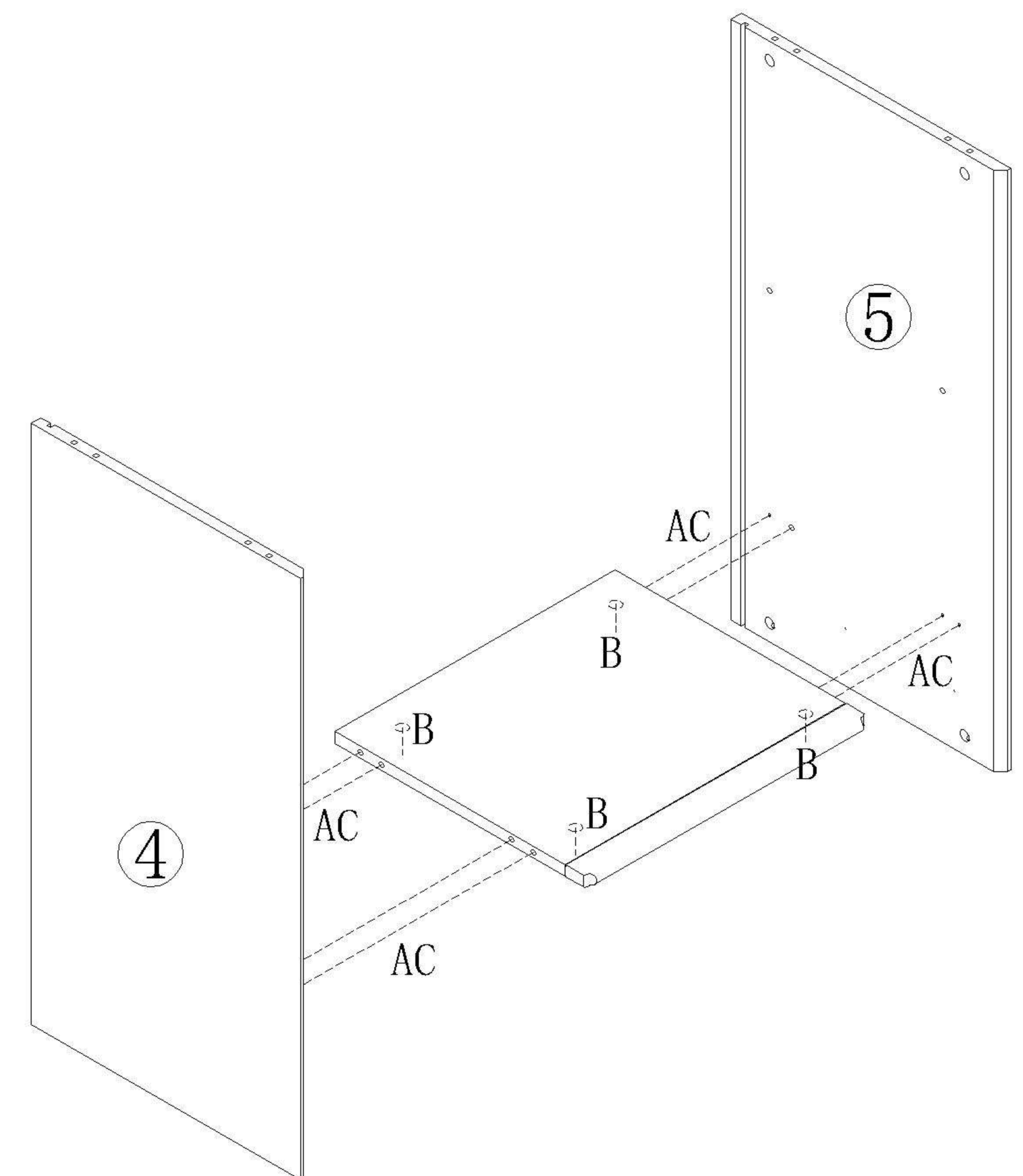


(B)*4



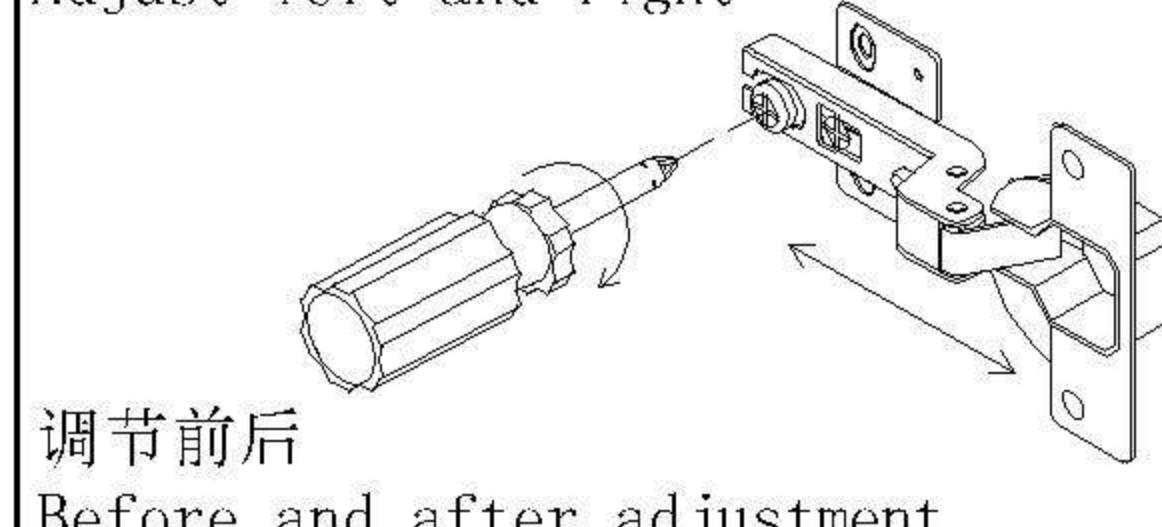
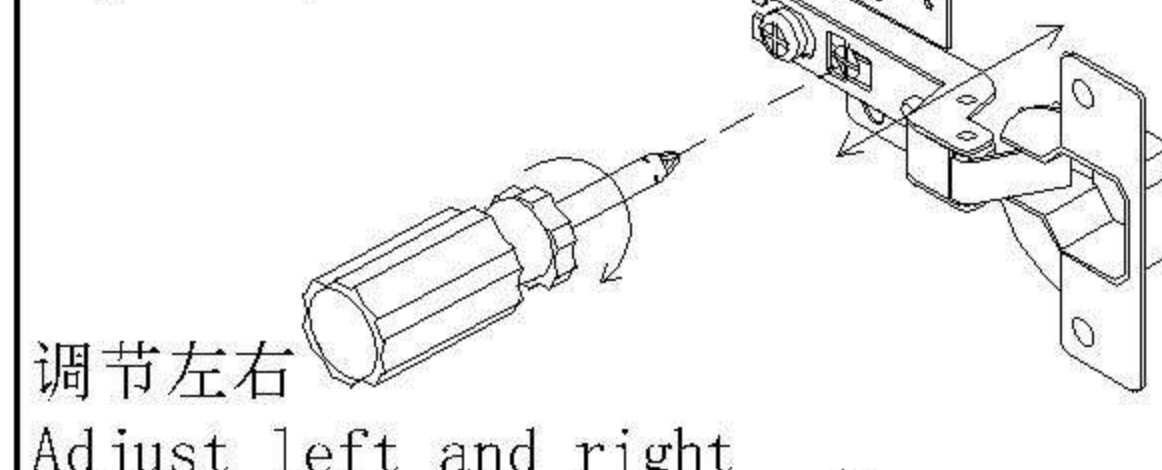
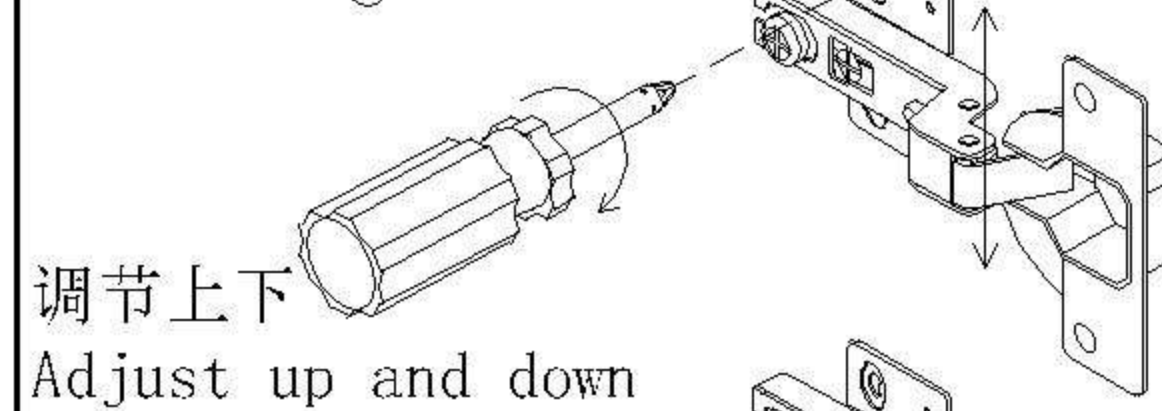
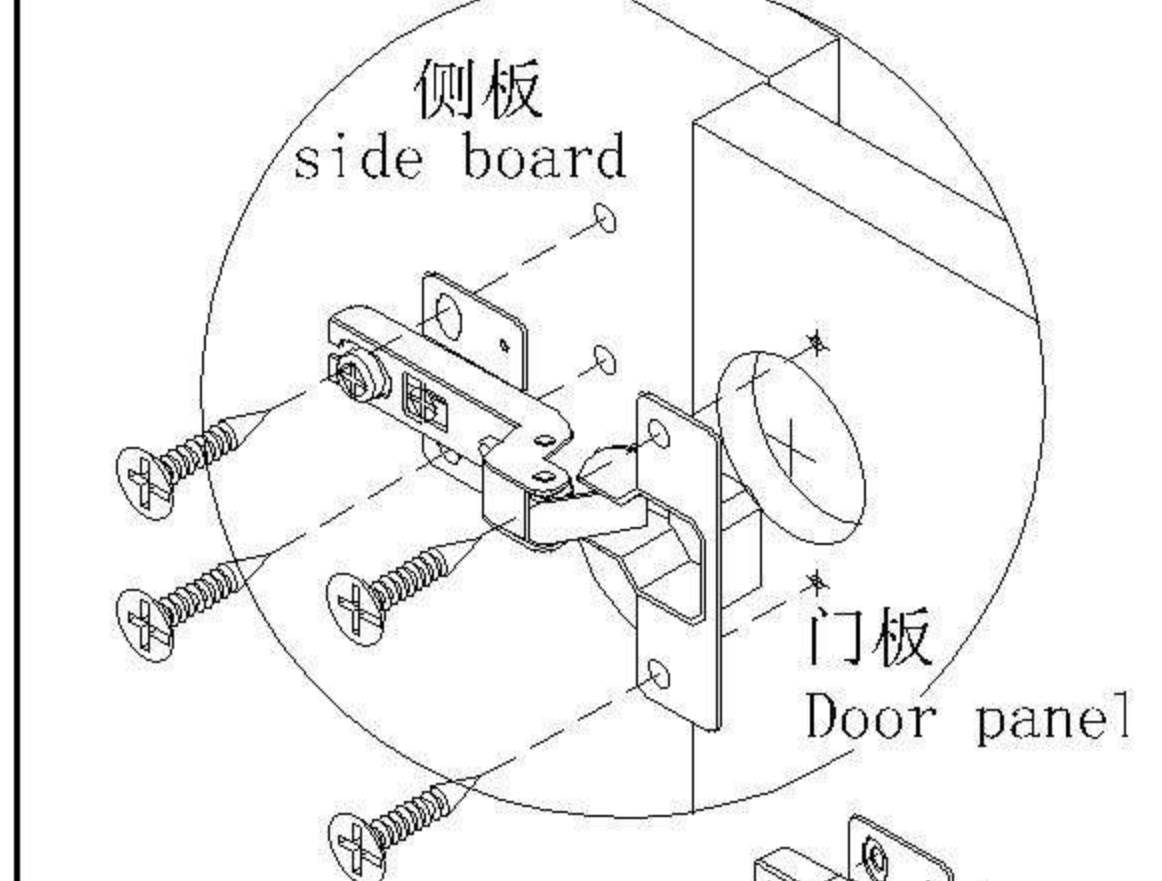
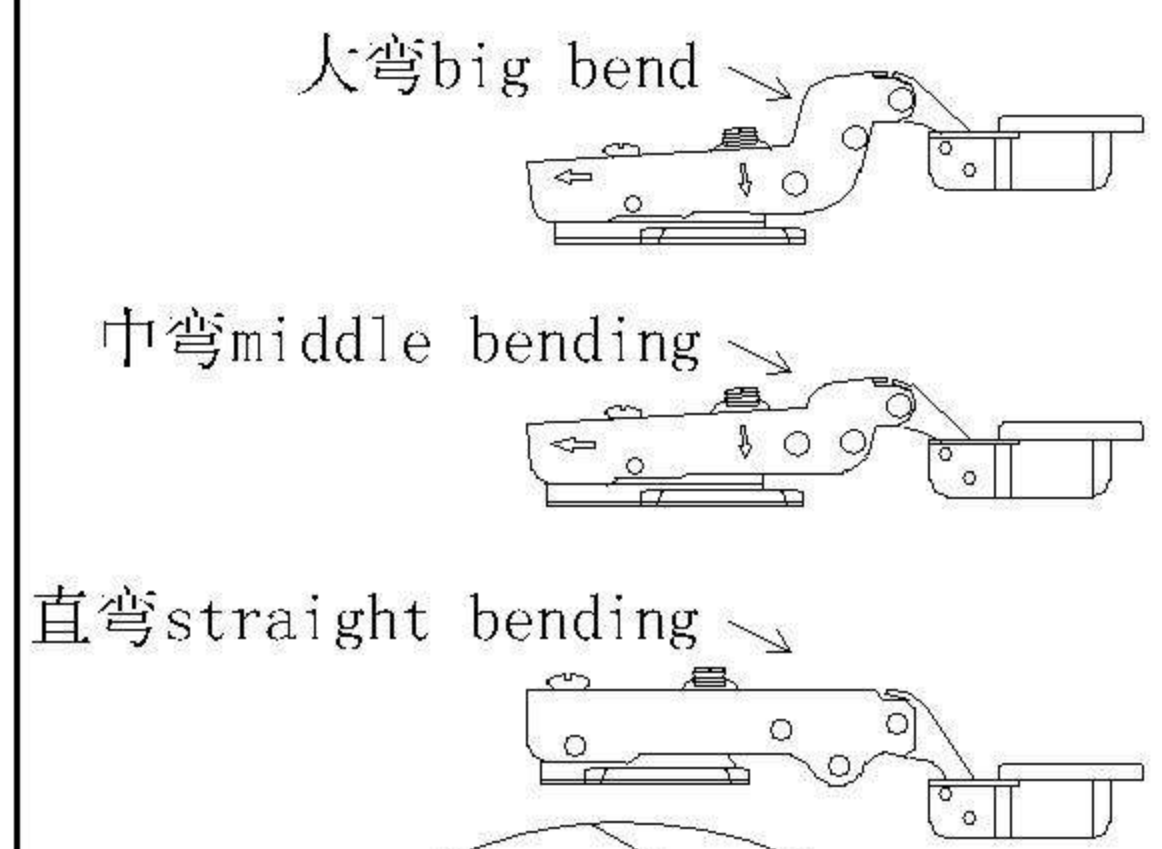
(C)*4

8

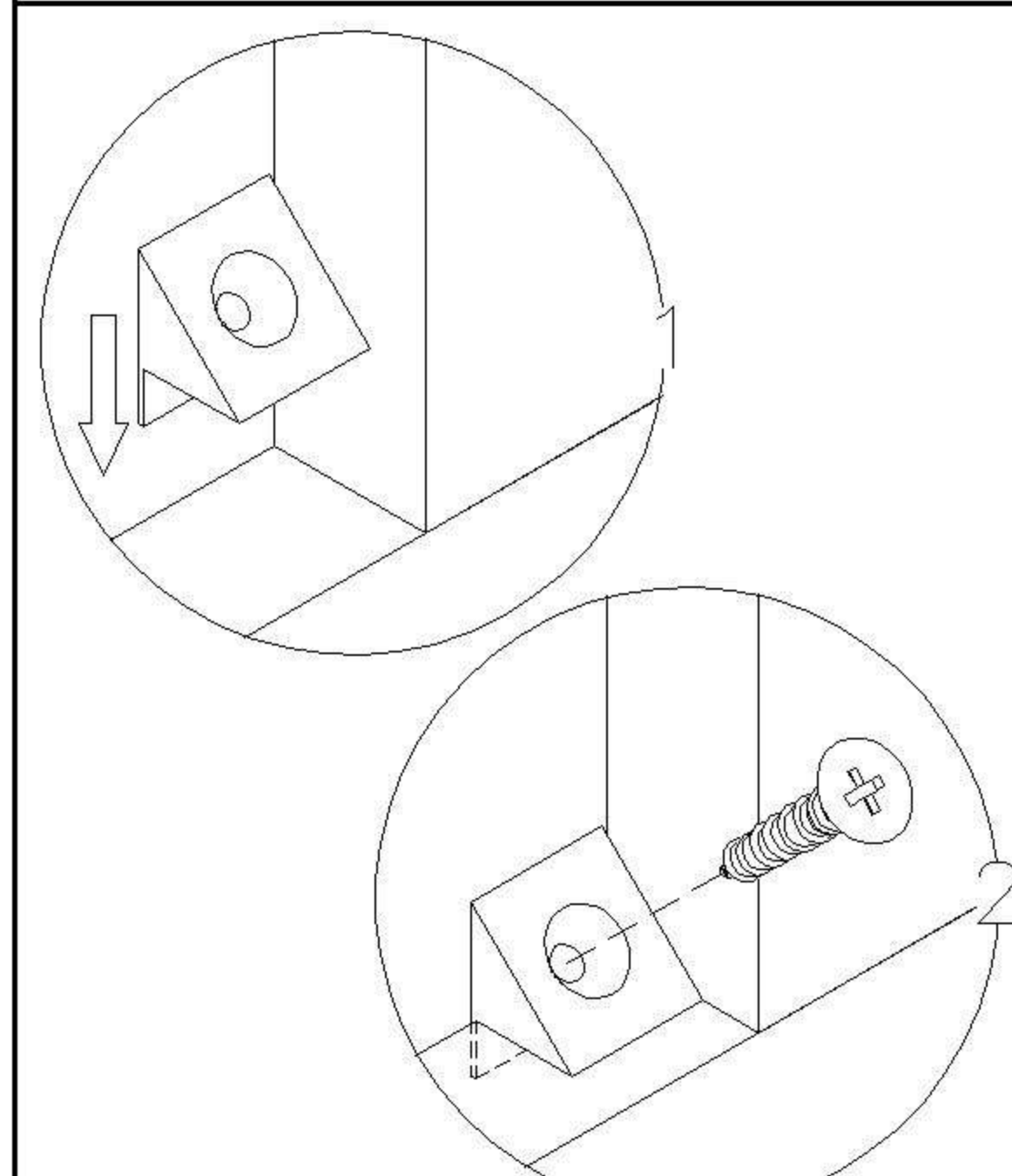


VE1M-B

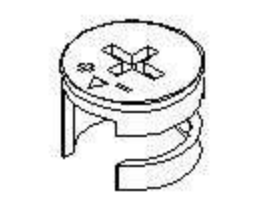
安装方法/
Installation method



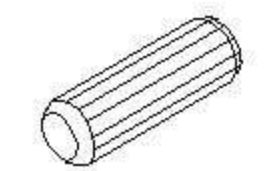
门铰 Hinge



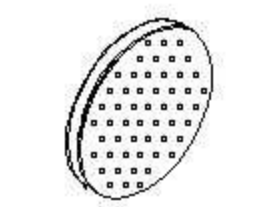
(A) *8



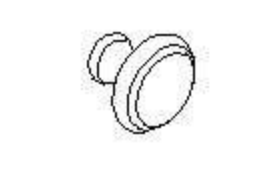
(B) *8



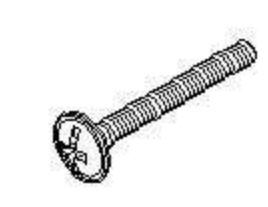
(C) *8



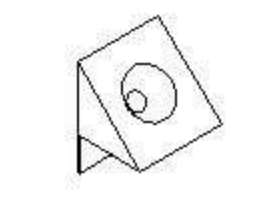
(E) *1



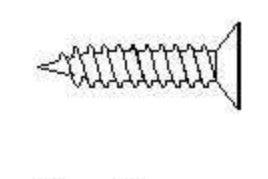
(F) *1



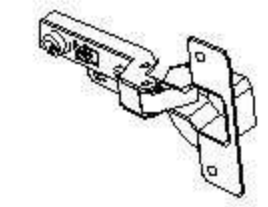
(G) *1



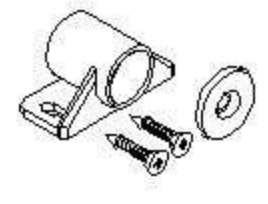
(M) *6



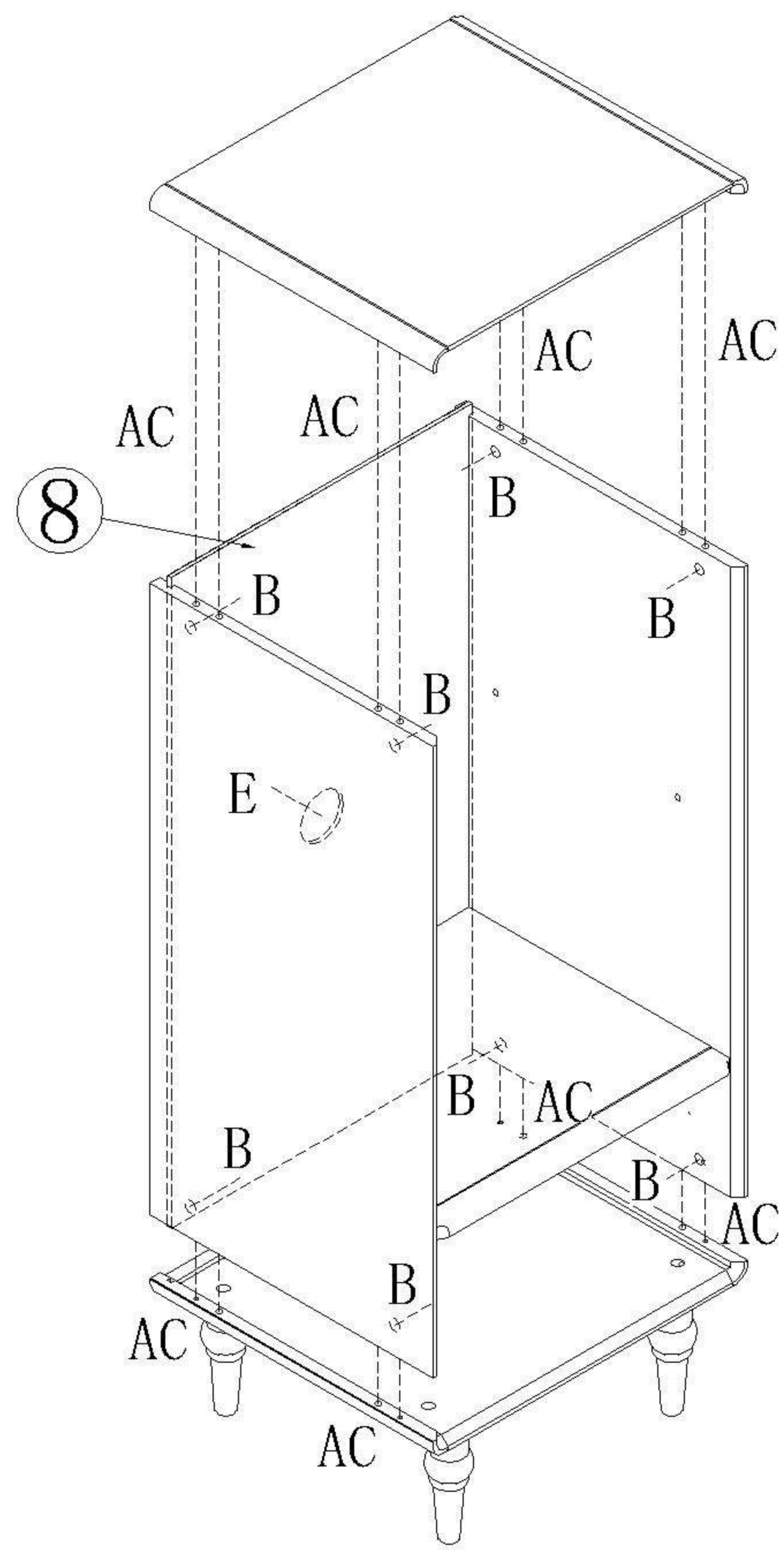
(N) *6



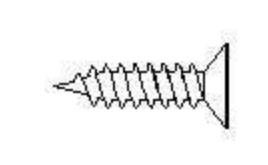
(O) *2



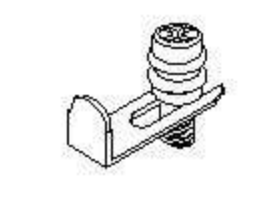
(P) *1



9



(D) *6



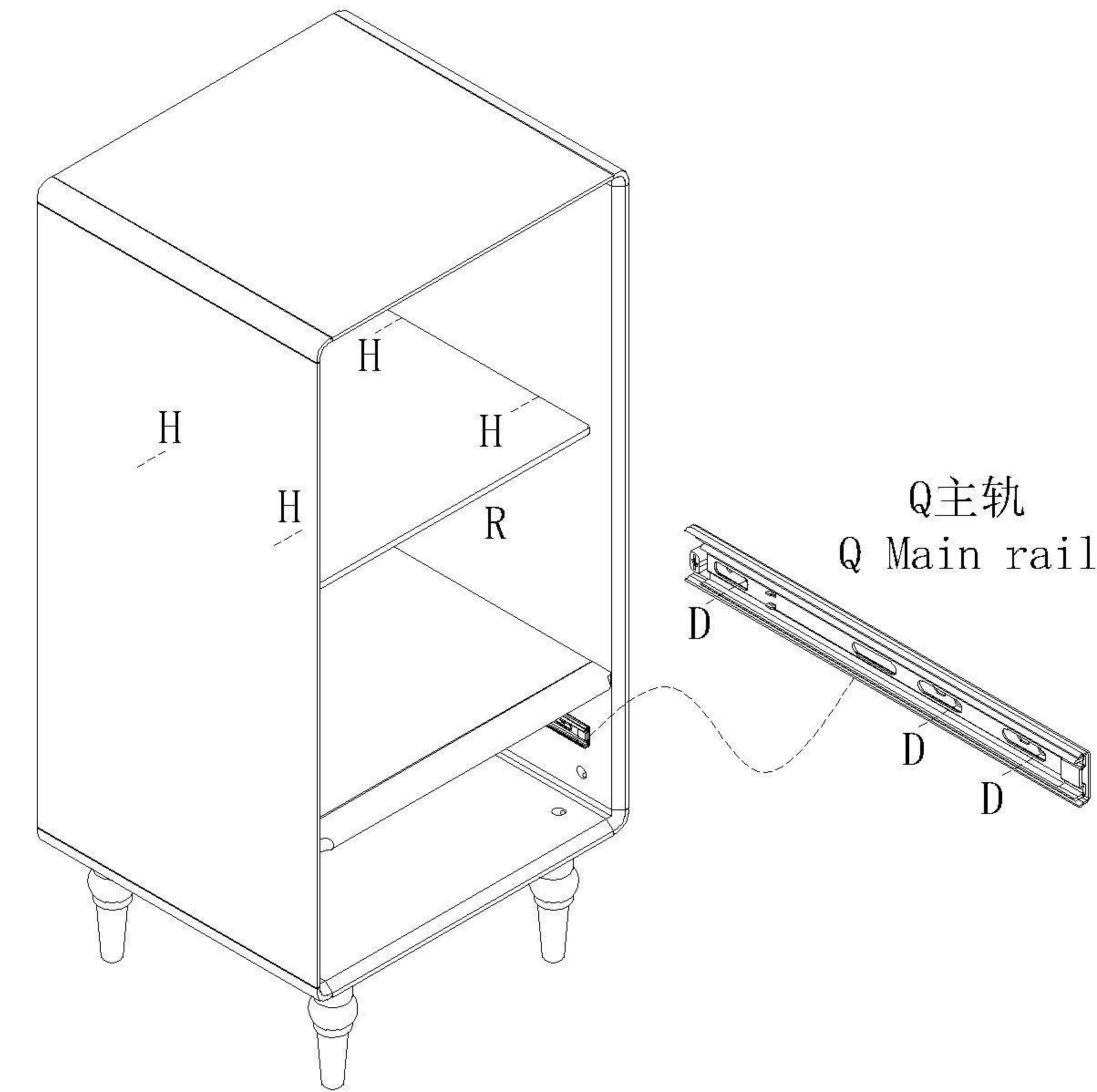
(H) *4



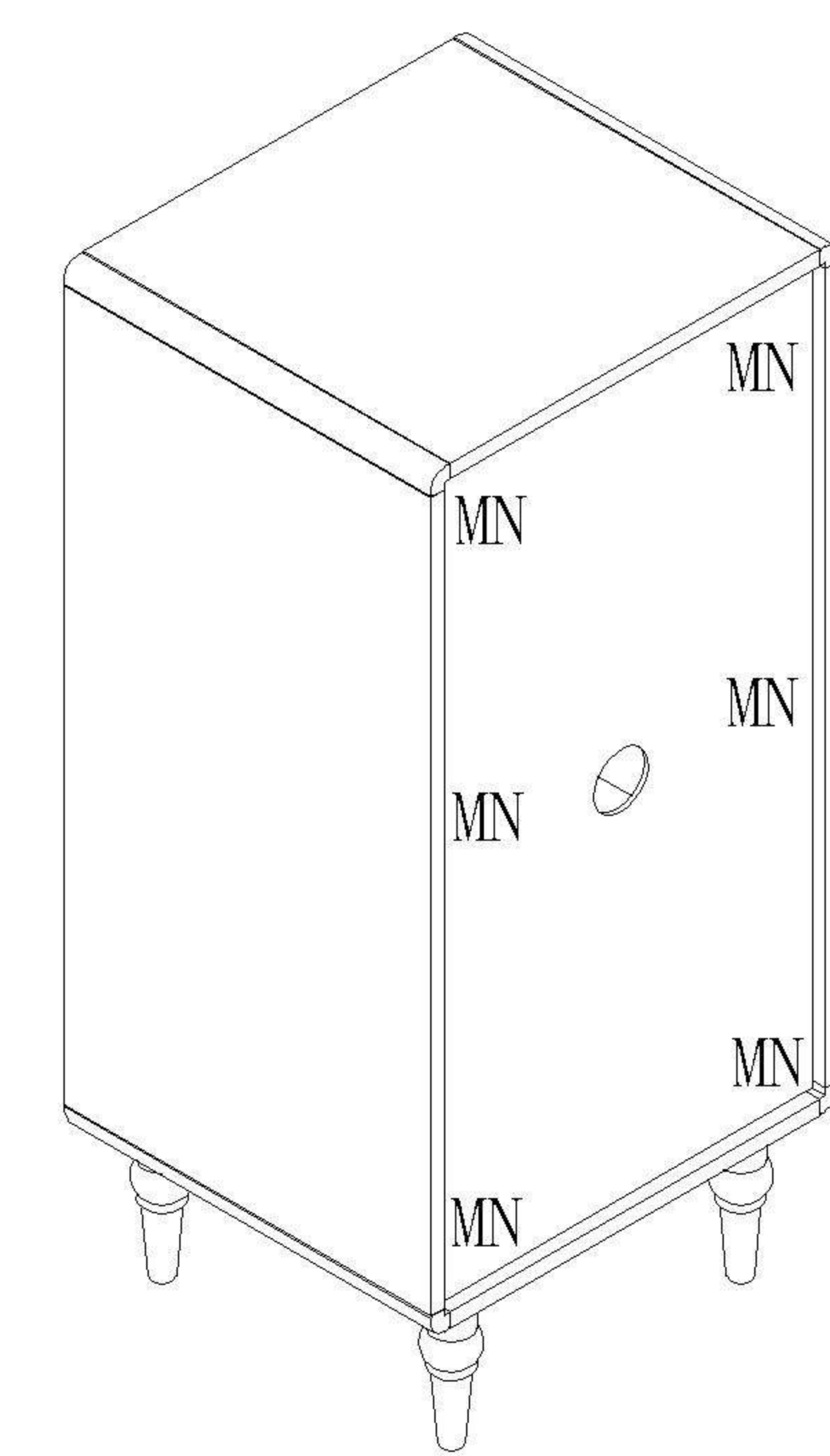
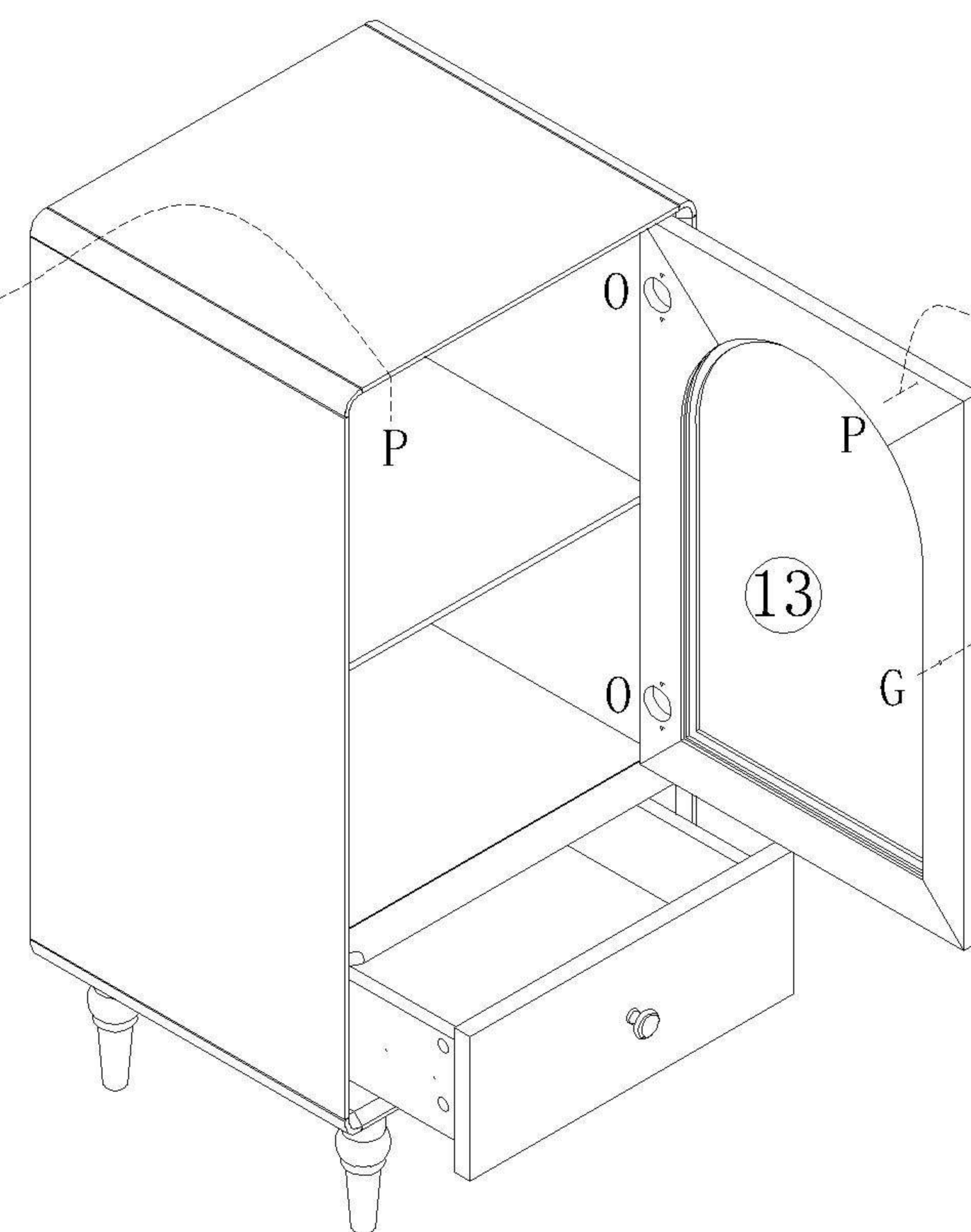
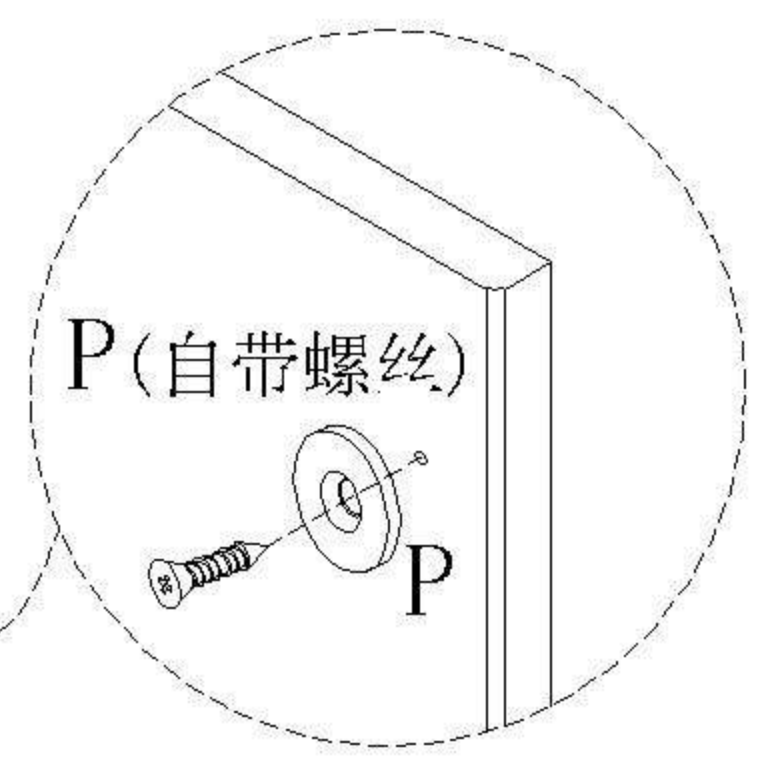
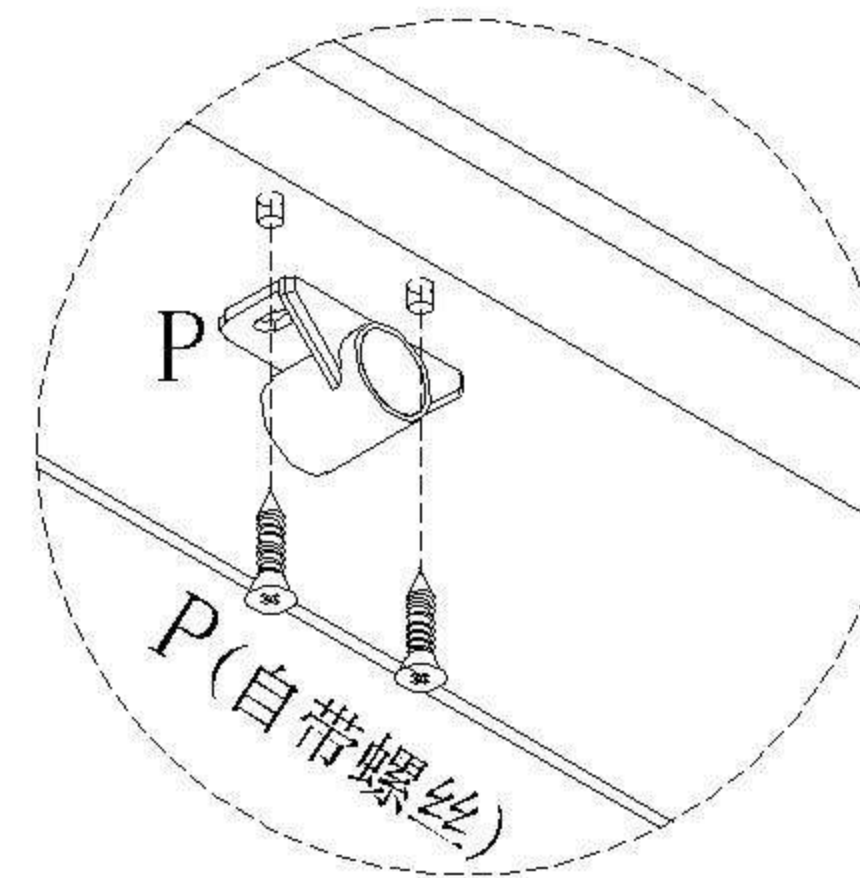
(Q) *1



(R) *1



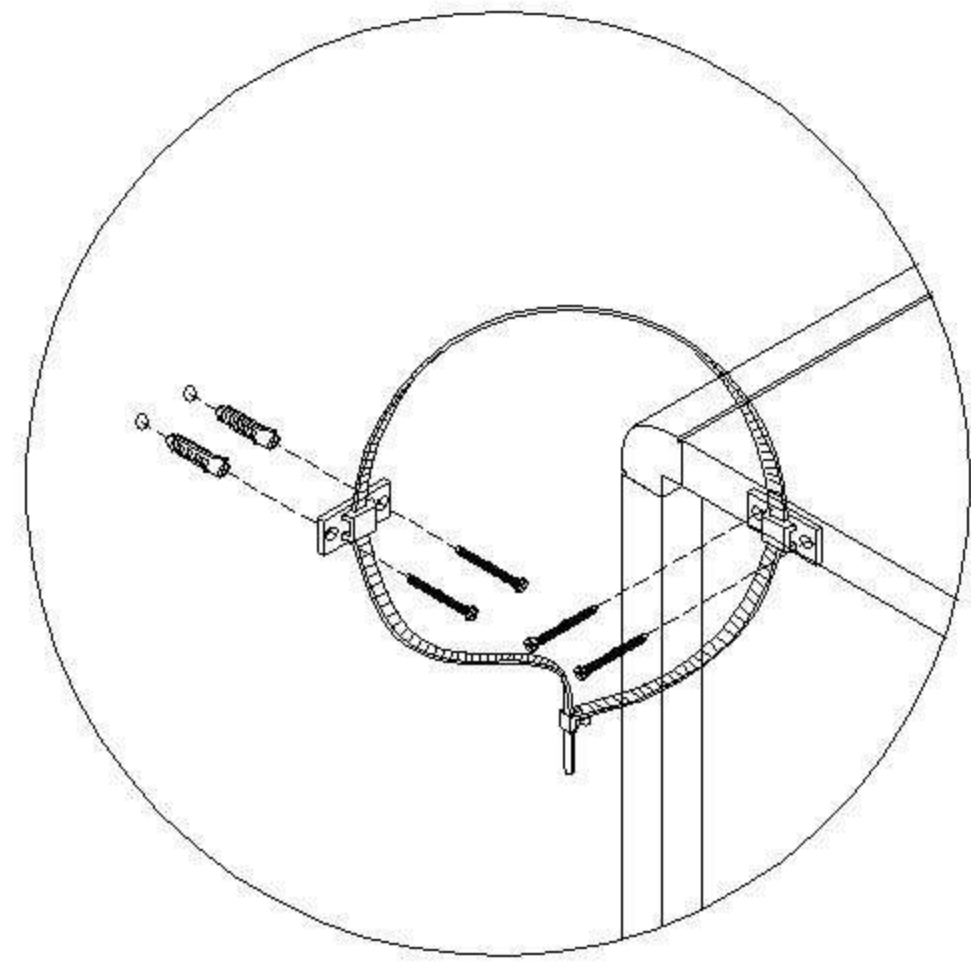
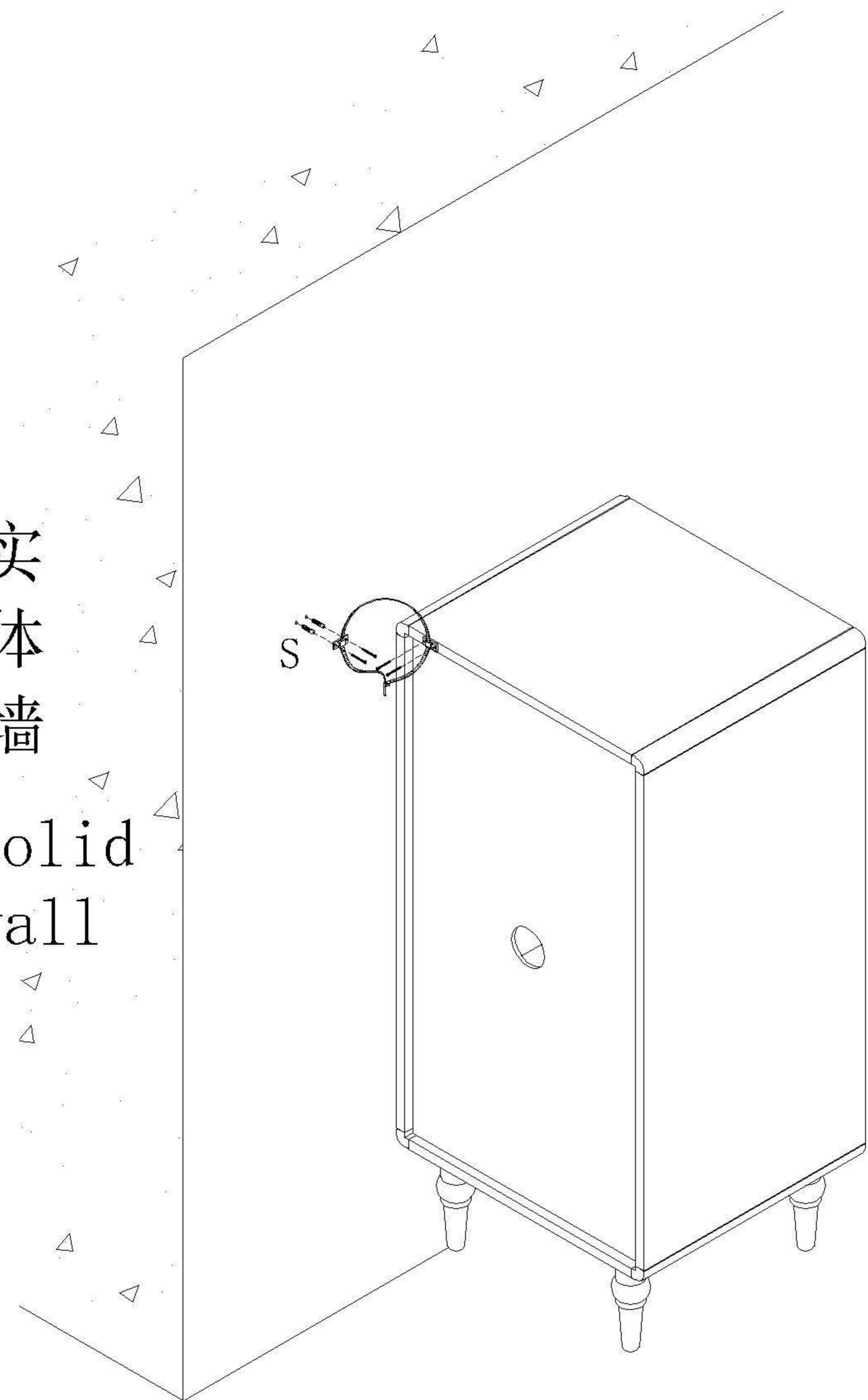
10



11

(S)*1

实体墙
Solid wall



S放大图
S Enlarged drawing

