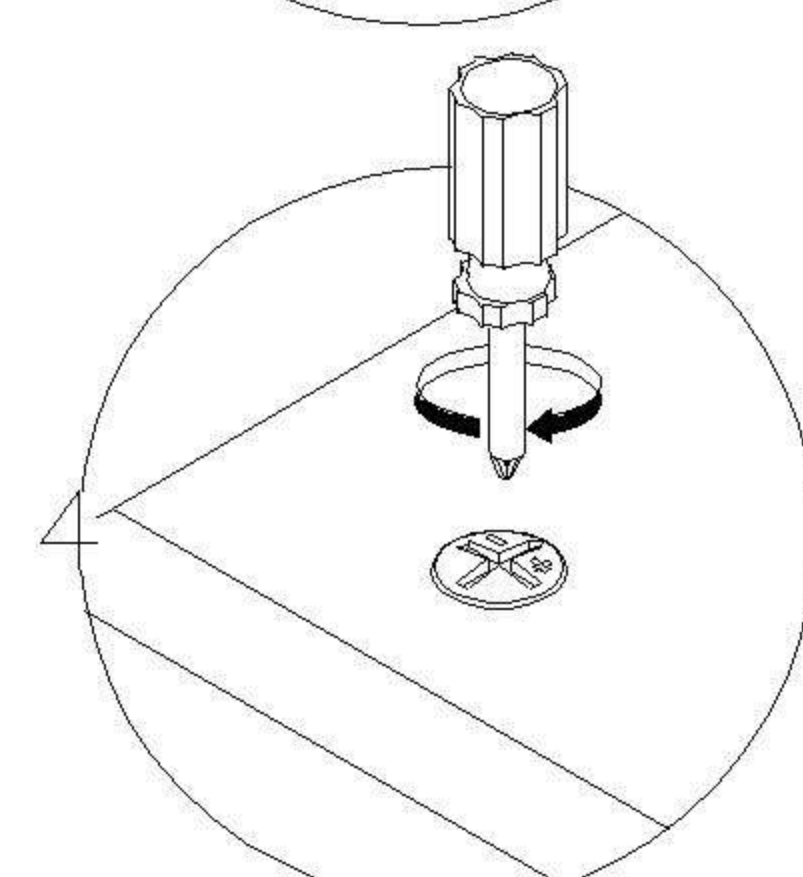
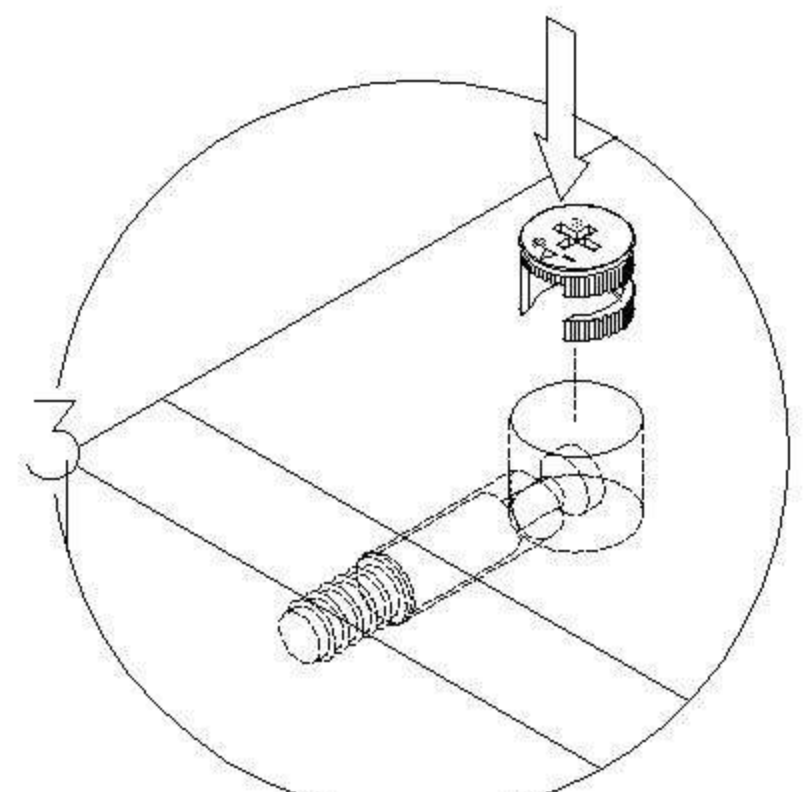
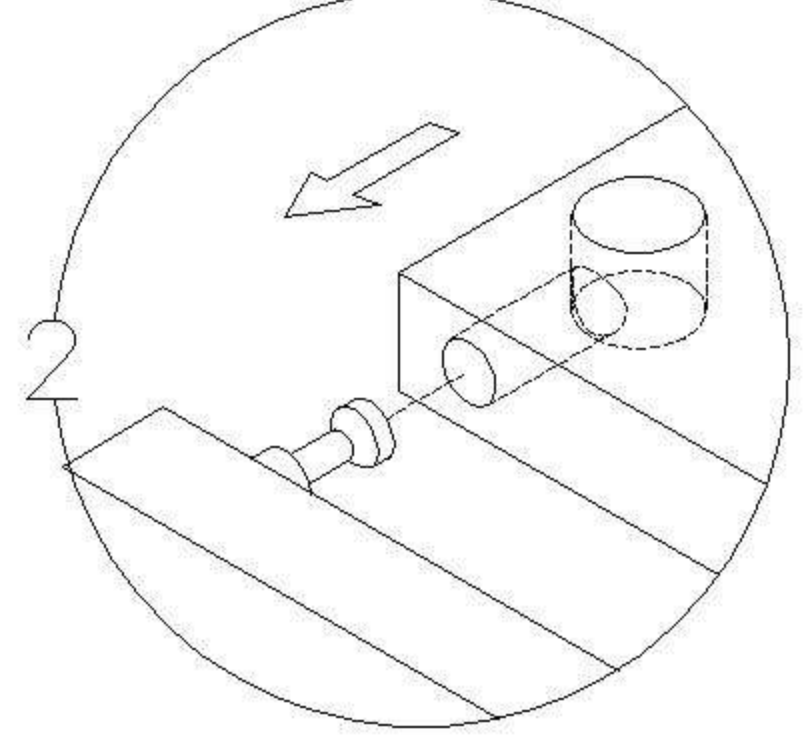
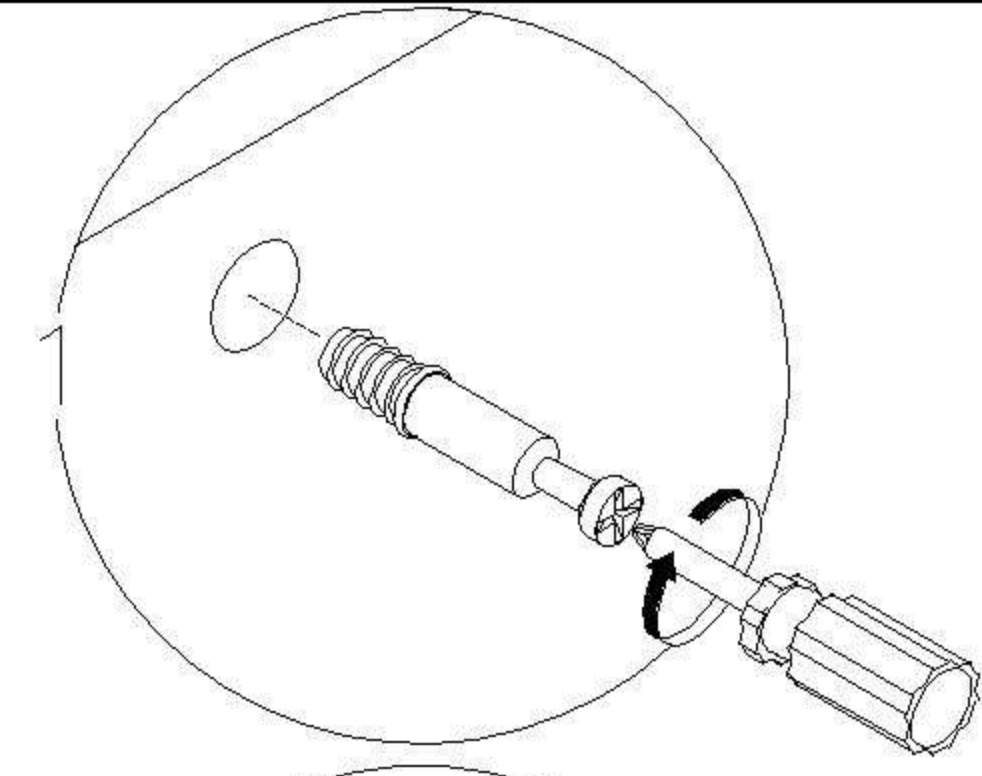


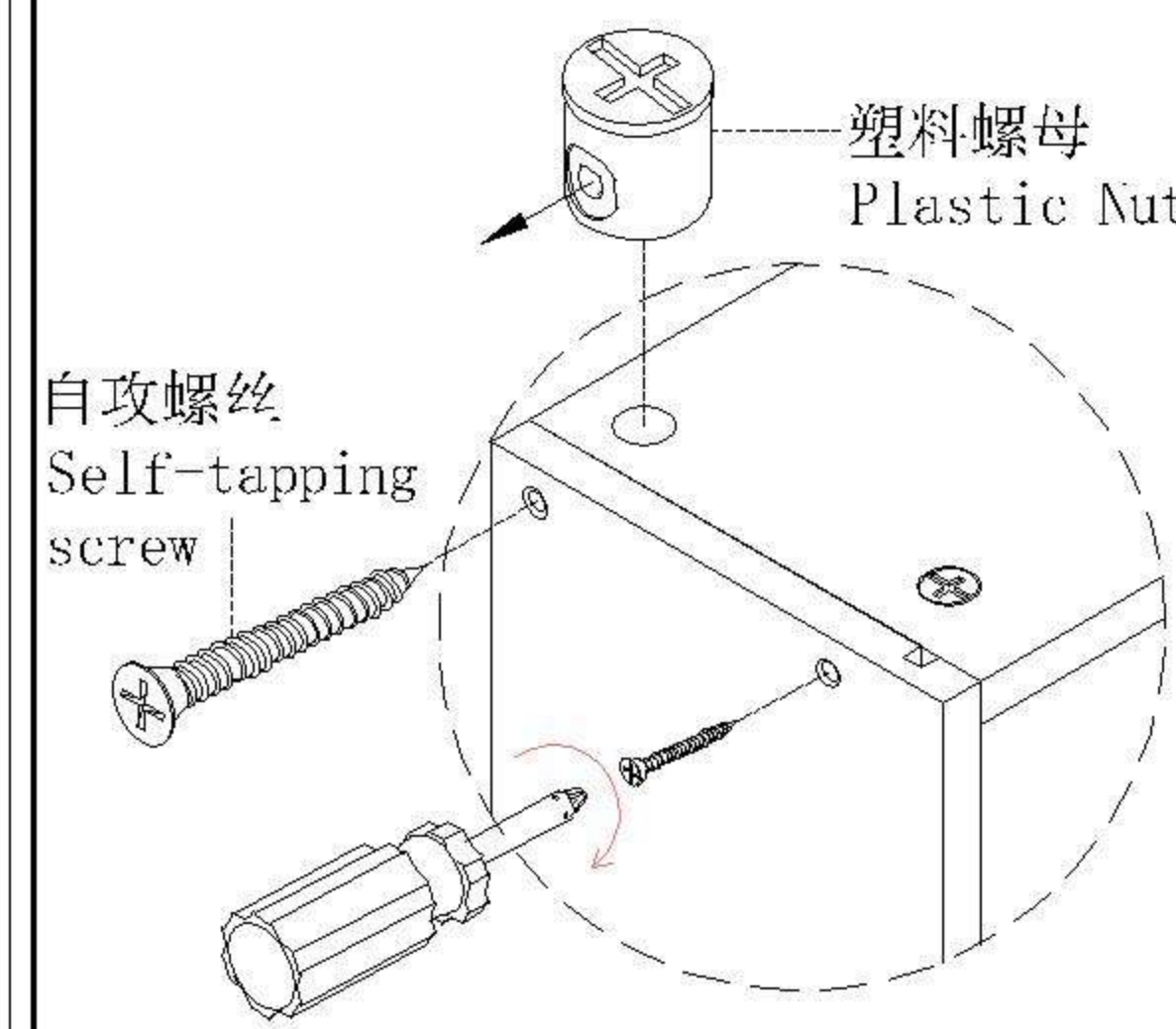
①	面板Top panel
②	左侧板Side board (L)
③	右侧板Side board (R)
④	底板Bottom board
⑤	中拉条Brace
⑥	上抽屉左侧板Upper drawer left panel
⑦	上抽屉右侧板Upper drawer right board
⑧	上抽屉后板Upper drawer's back board
⑨	下抽屉左侧板Lower drawer left panel
⑩	下抽屉右侧板Lower drawer right panel
⑪	下抽屉后板Down drawer's back board
⑫	抽屉底板Drawer's Bottom board
⑬	背板Back board
⑭	拉条Brace
◇1	上抽屉面板Upper drawer's panel
◇2	下抽屉面板Bottom drawer's panel

T02B-A

安装方法/
Installation method

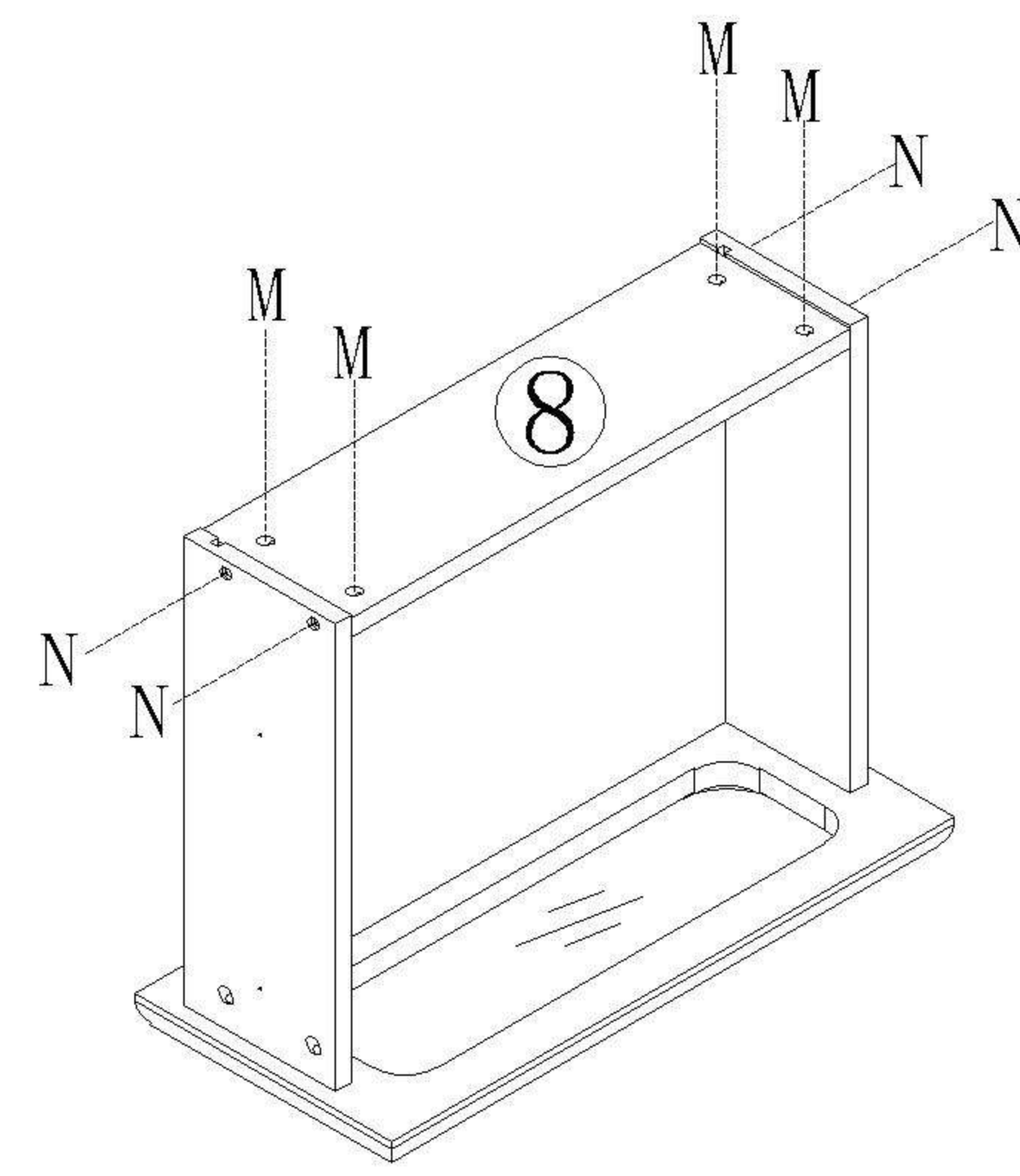
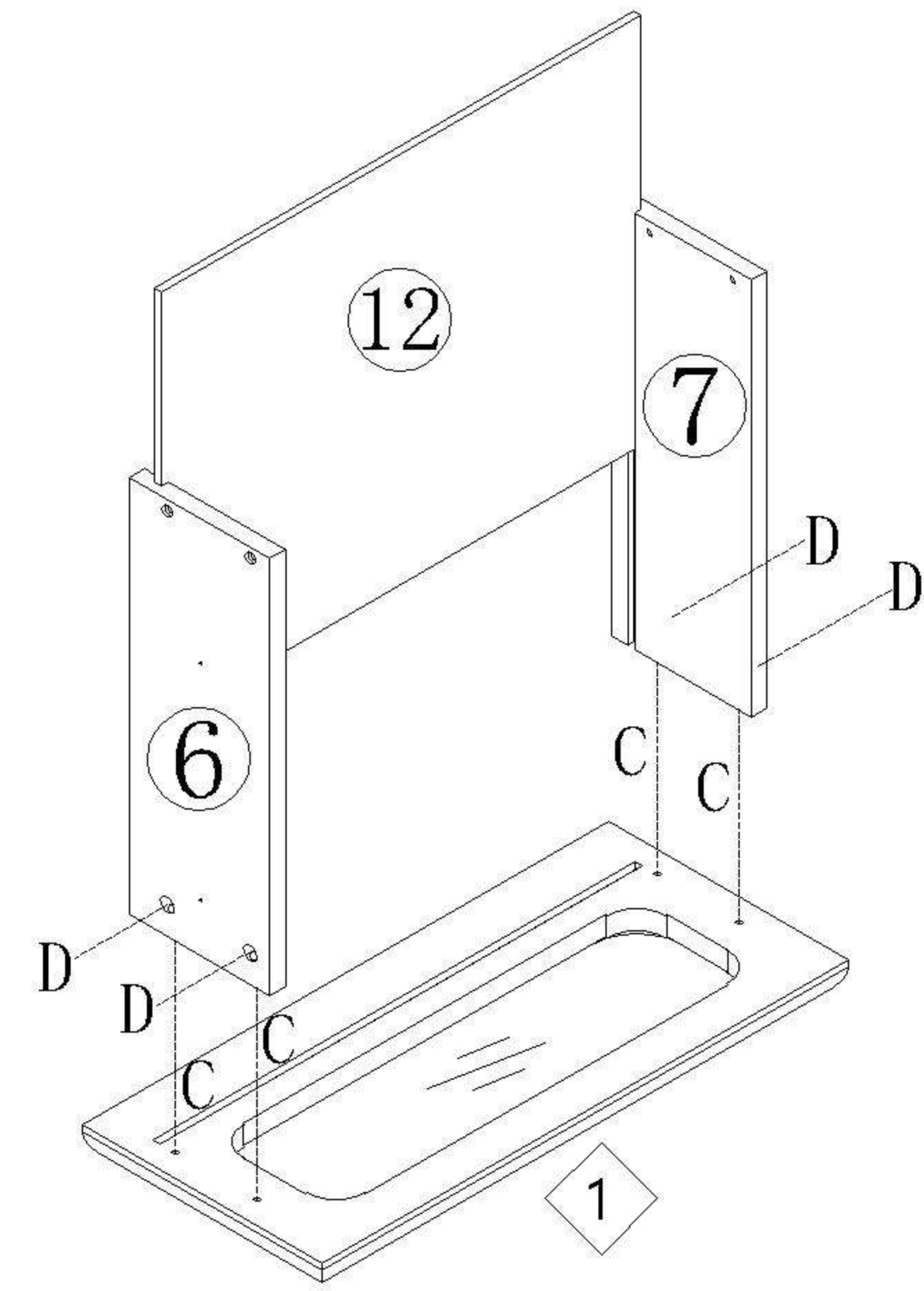


小二合一/two-in-one



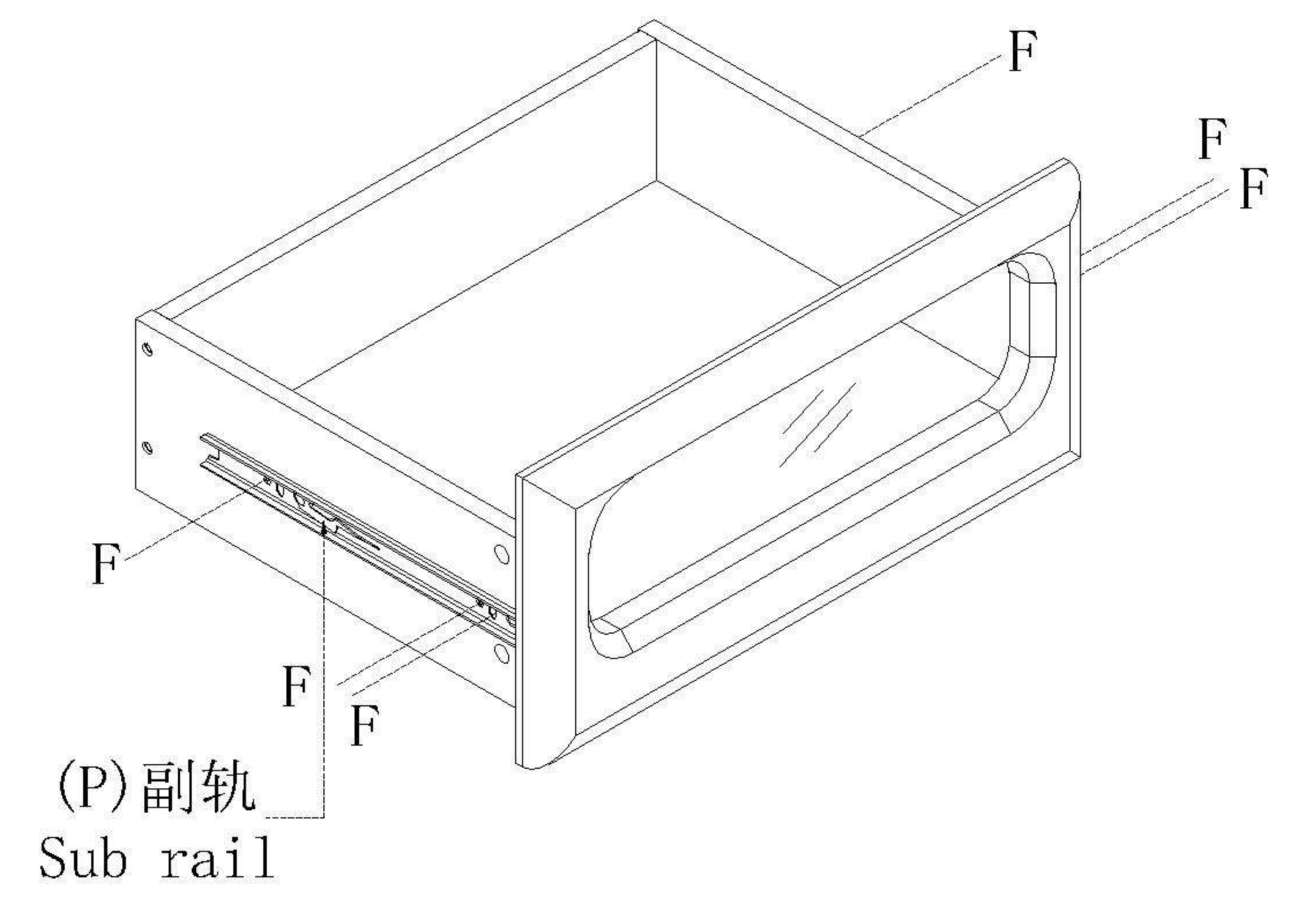
塑料螺母
Plastic Nut

- (C)*4
- (D)*4
- (M)*4
- (N)*4



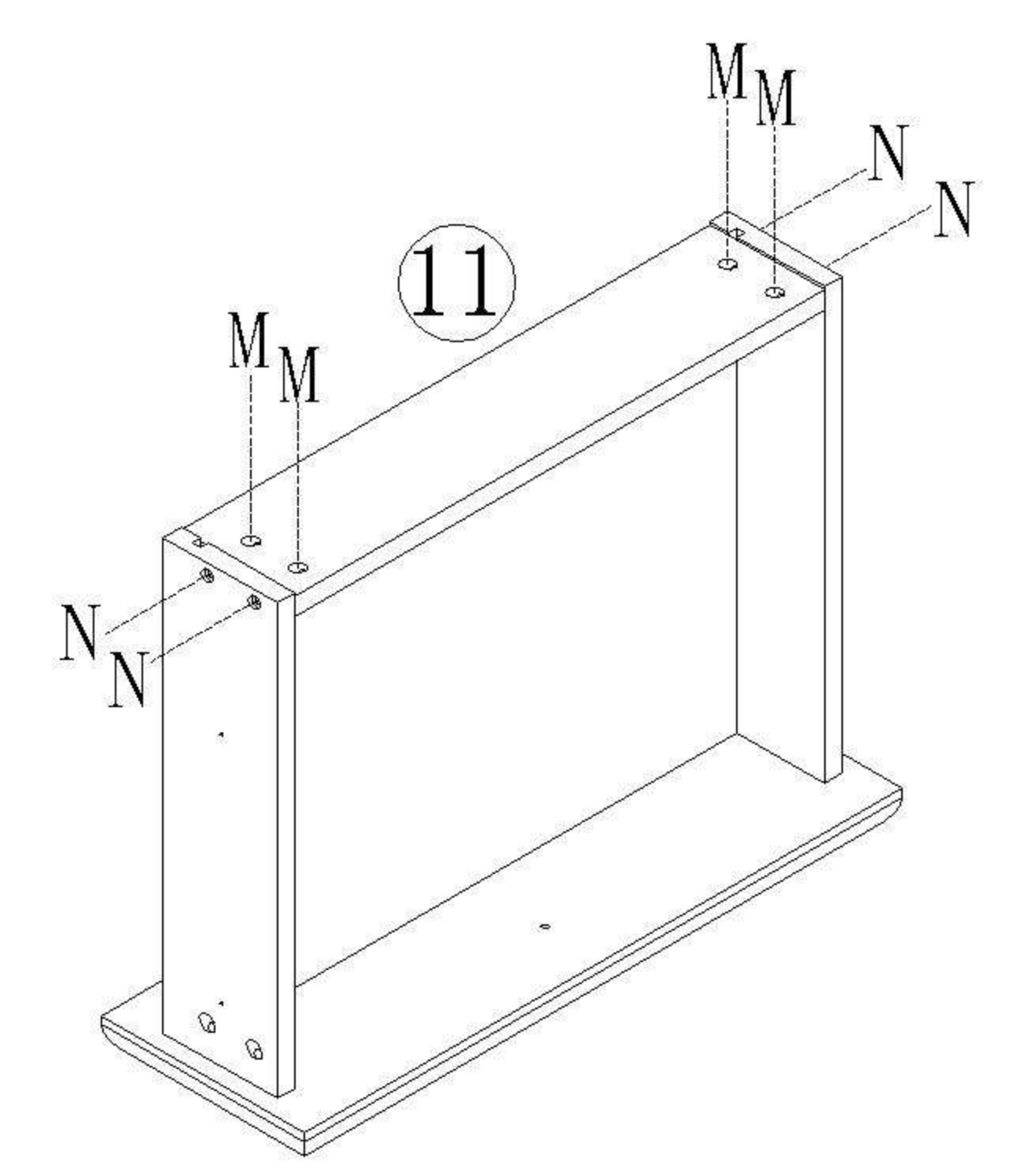
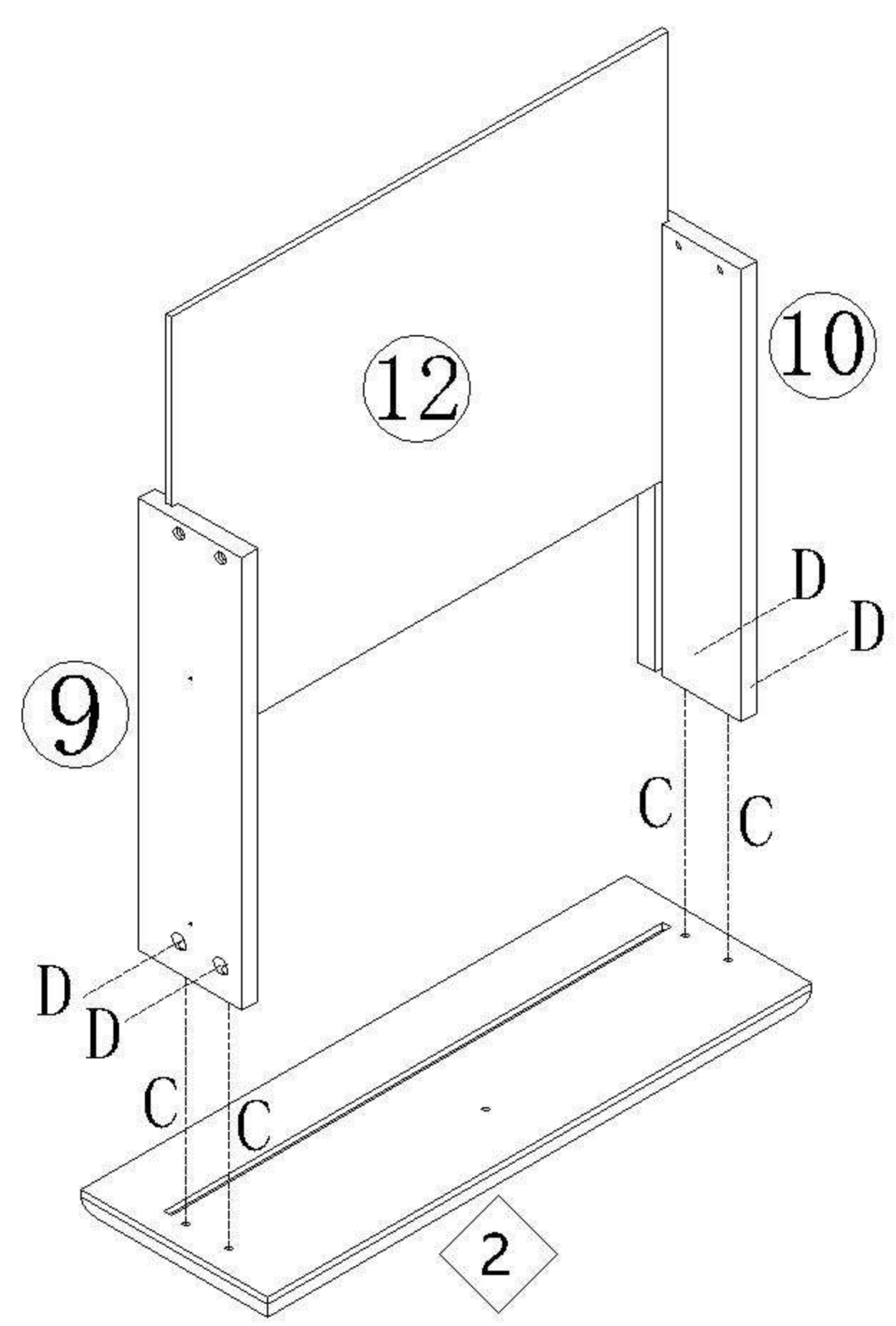
1

- (F)*6
- (P)*1



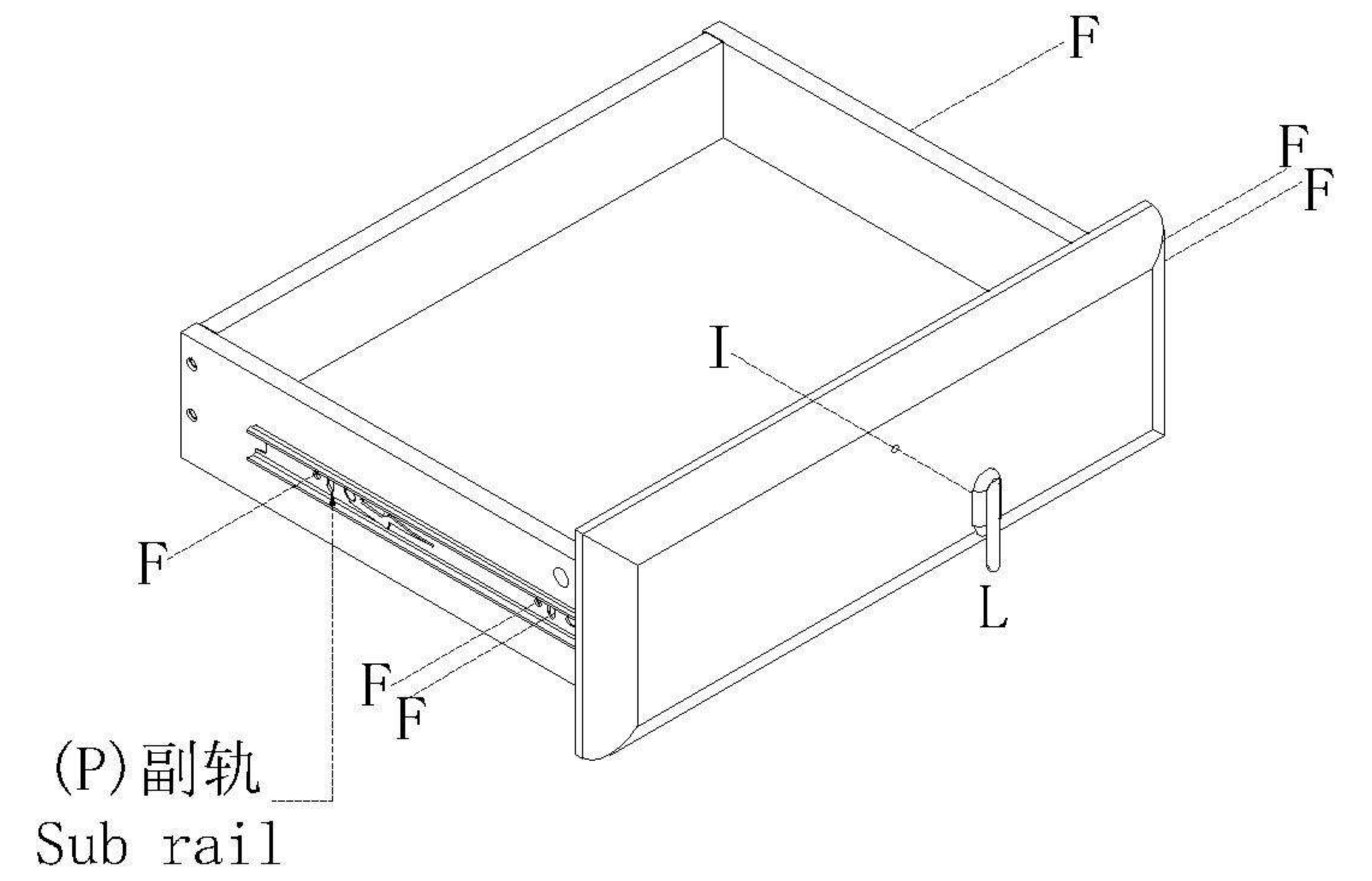
2

- (C)*4
- (D)*4
- (M)*4
- (N)*4



3

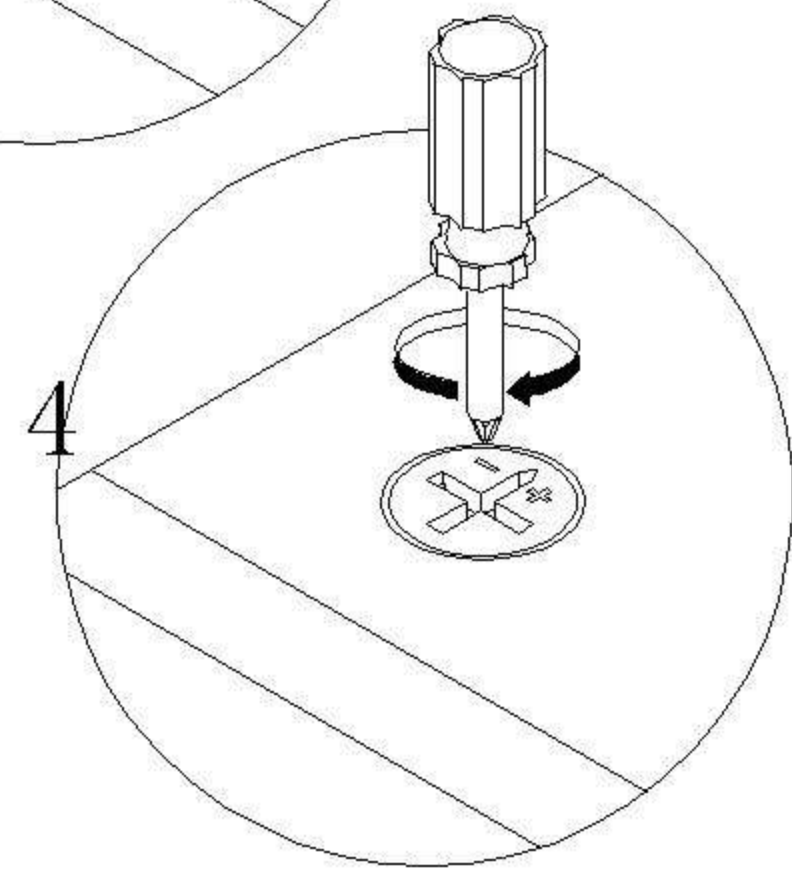
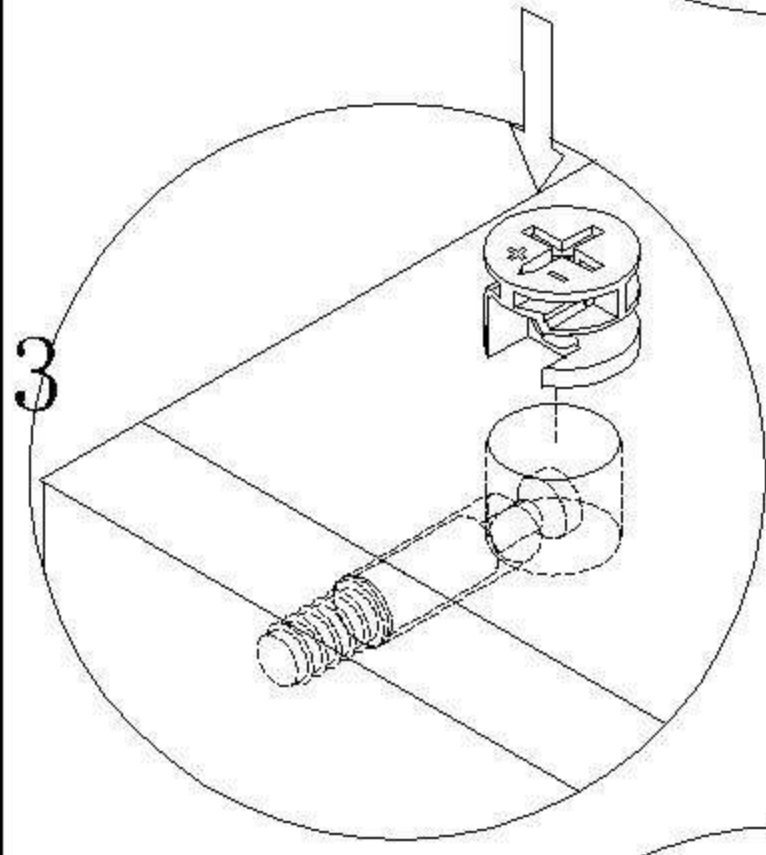
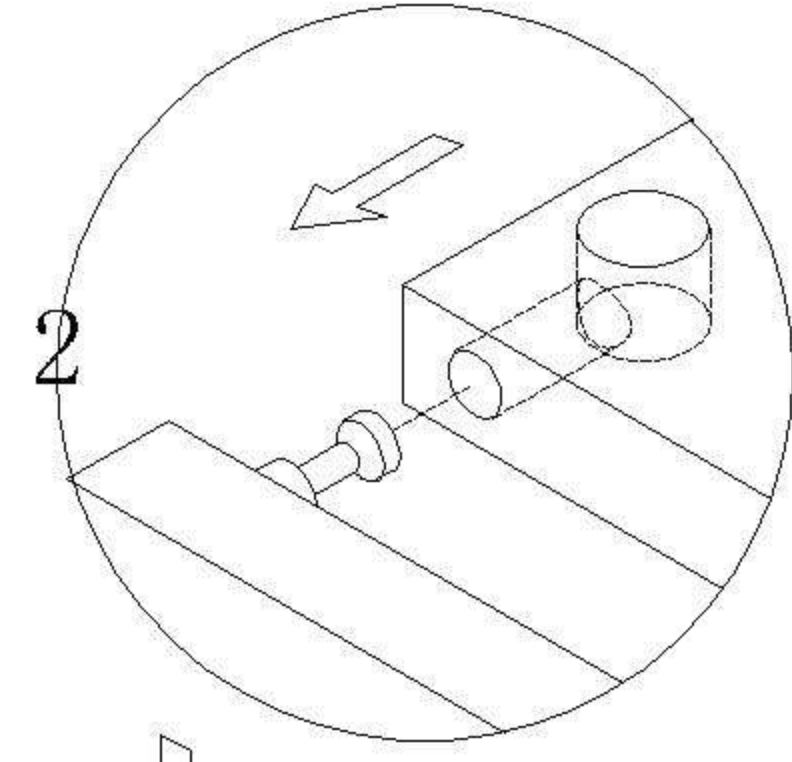
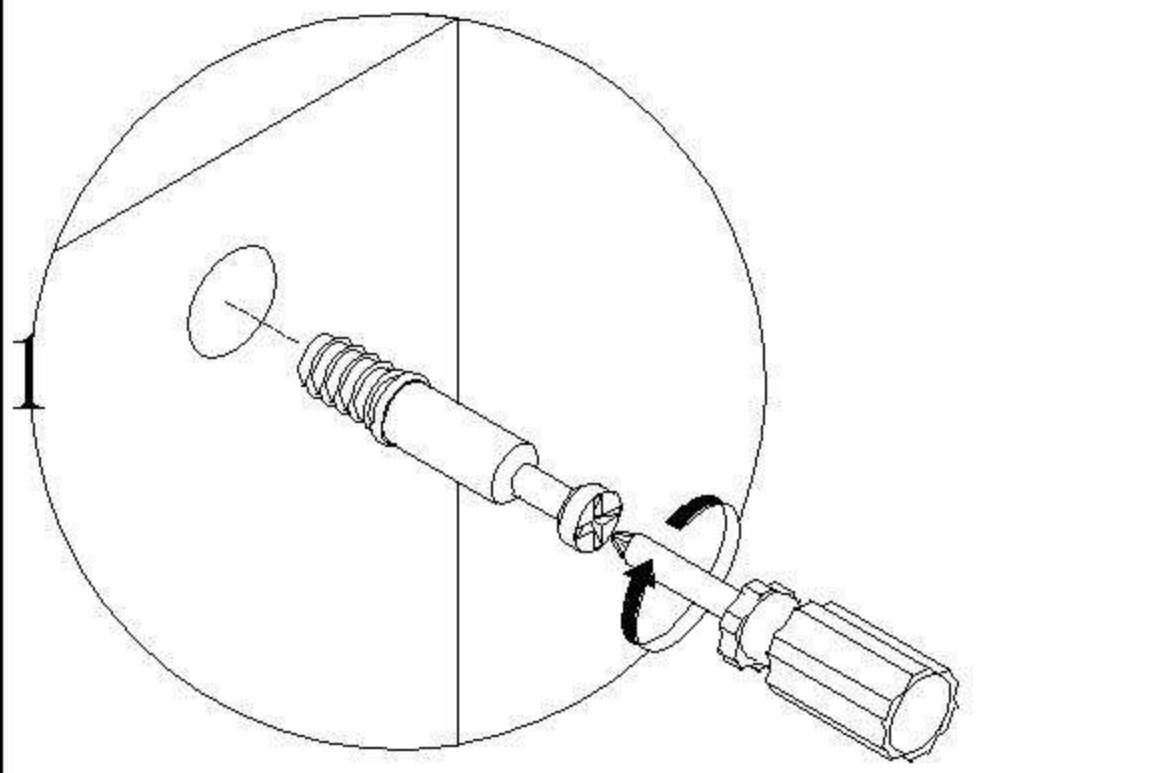
- (F)*6
- (I)*1
- (L)*1
- (P)*1



4

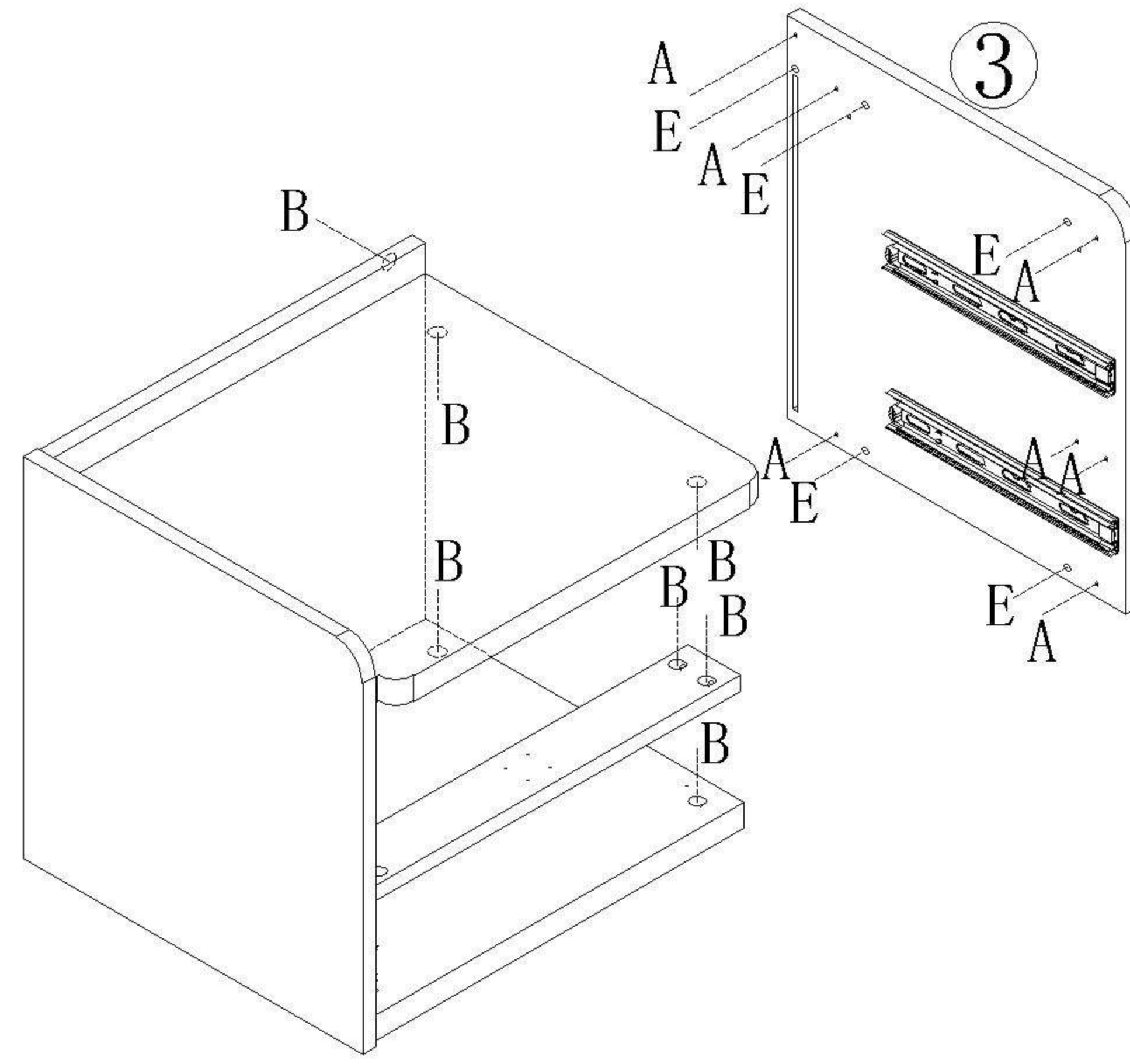
T02B-A

安装方法/
Installation method

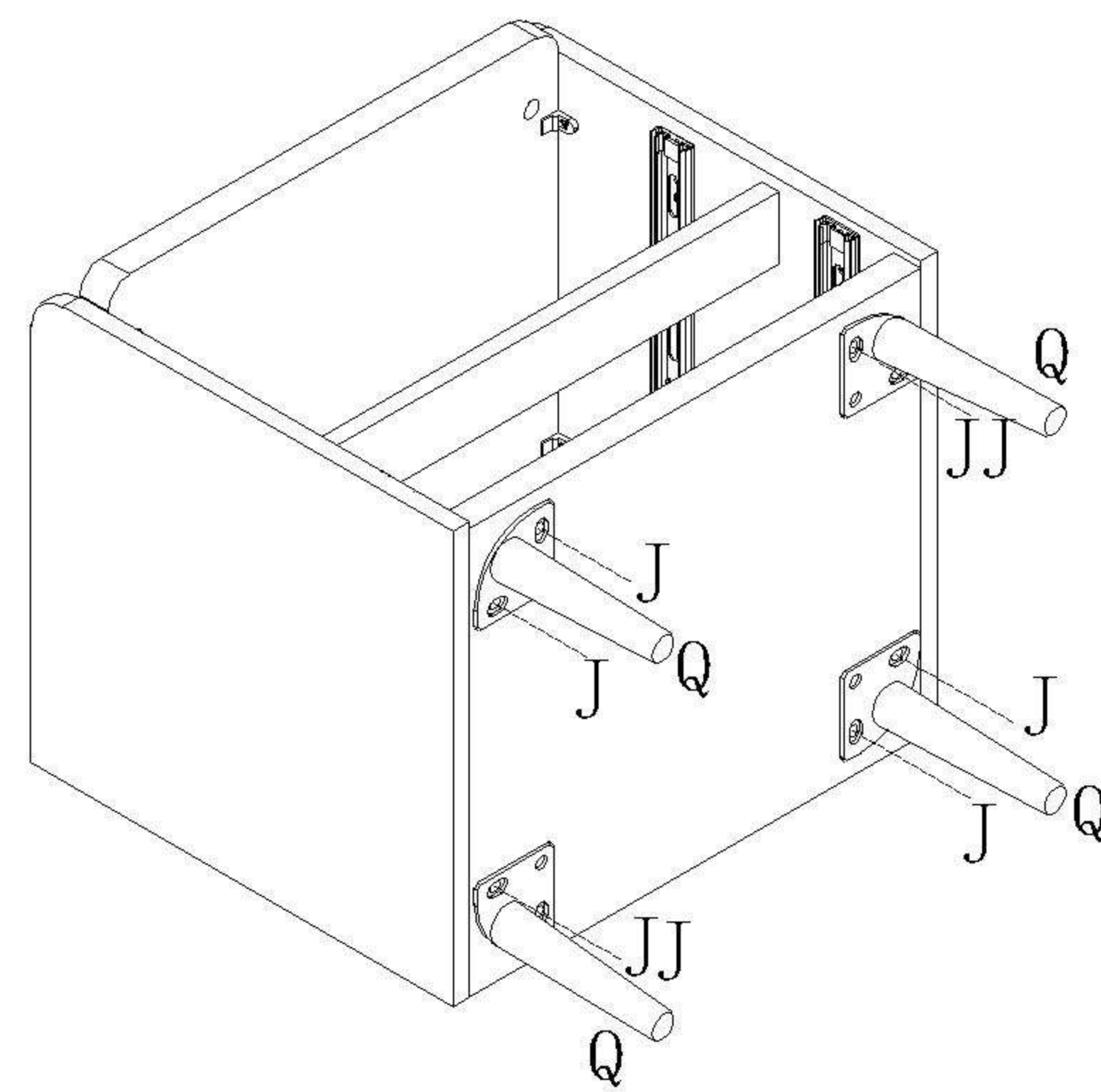


二合一
two-in-one

- (A)*7
- (B)*7
- (E)*5

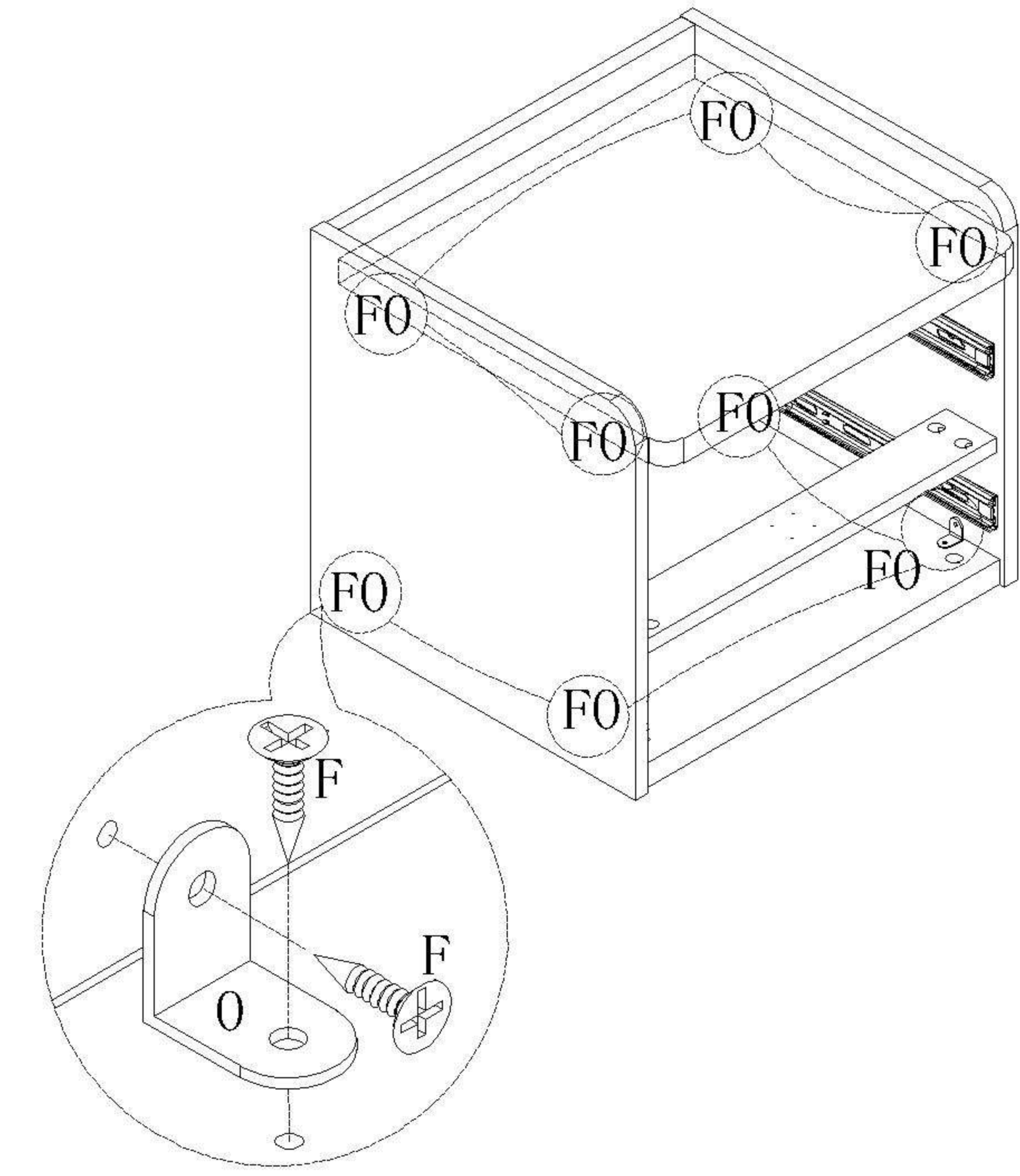


- (Q)*4
- (J)*8



9

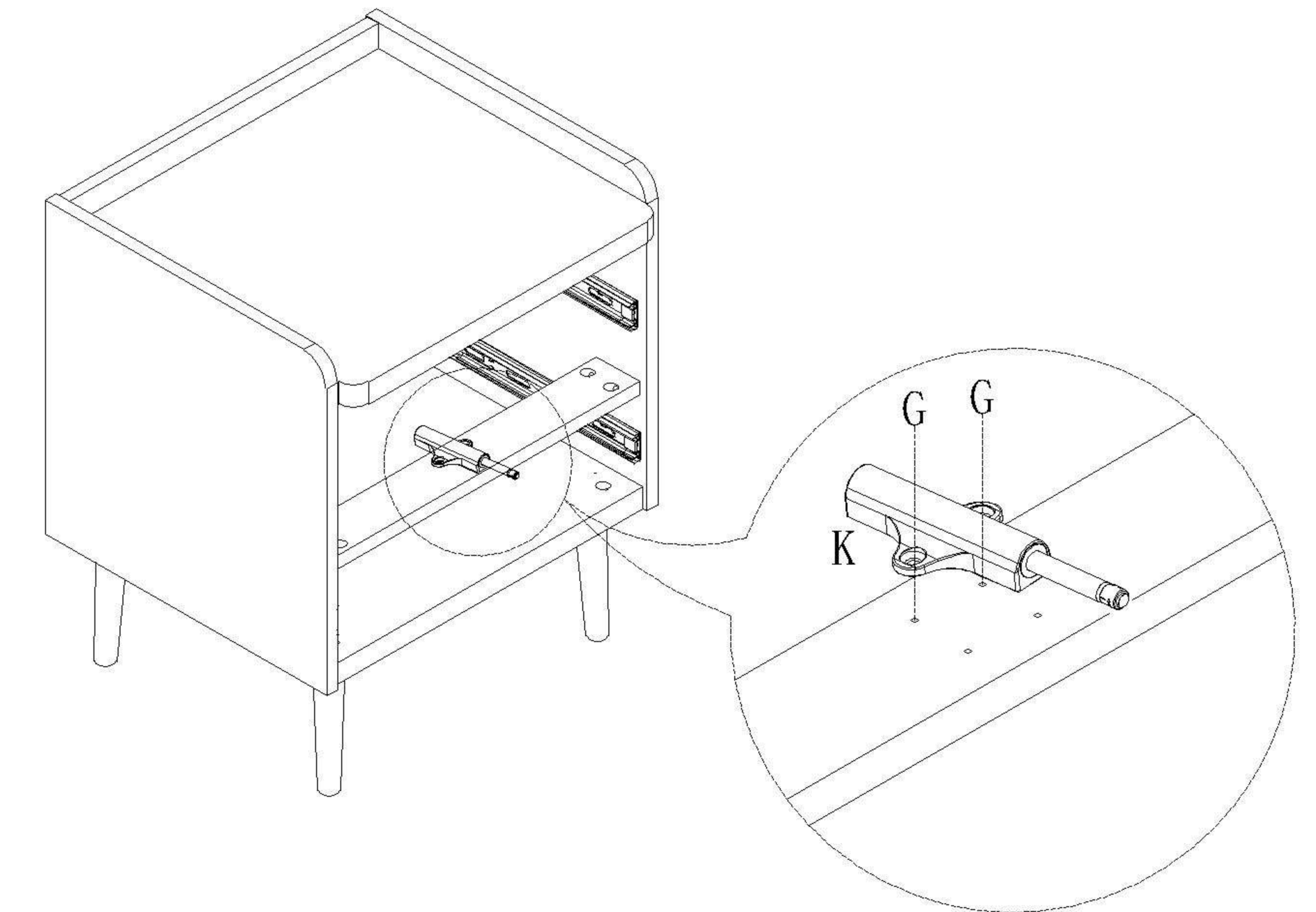
- (F)*16
- (O)*8



10

11

- (G)*2
- (K)*1



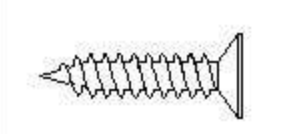
12

T02B-A

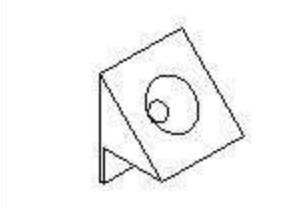
13

14

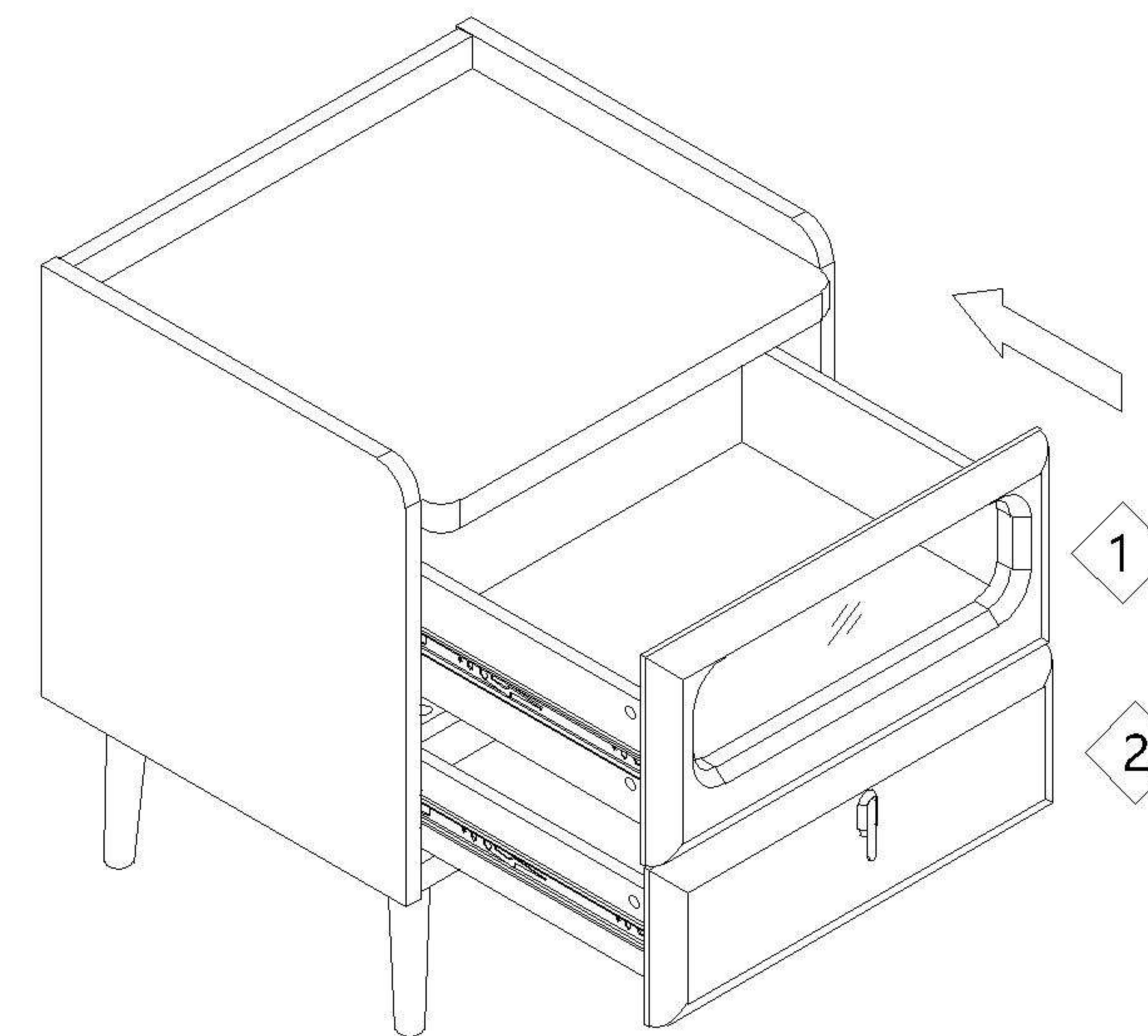
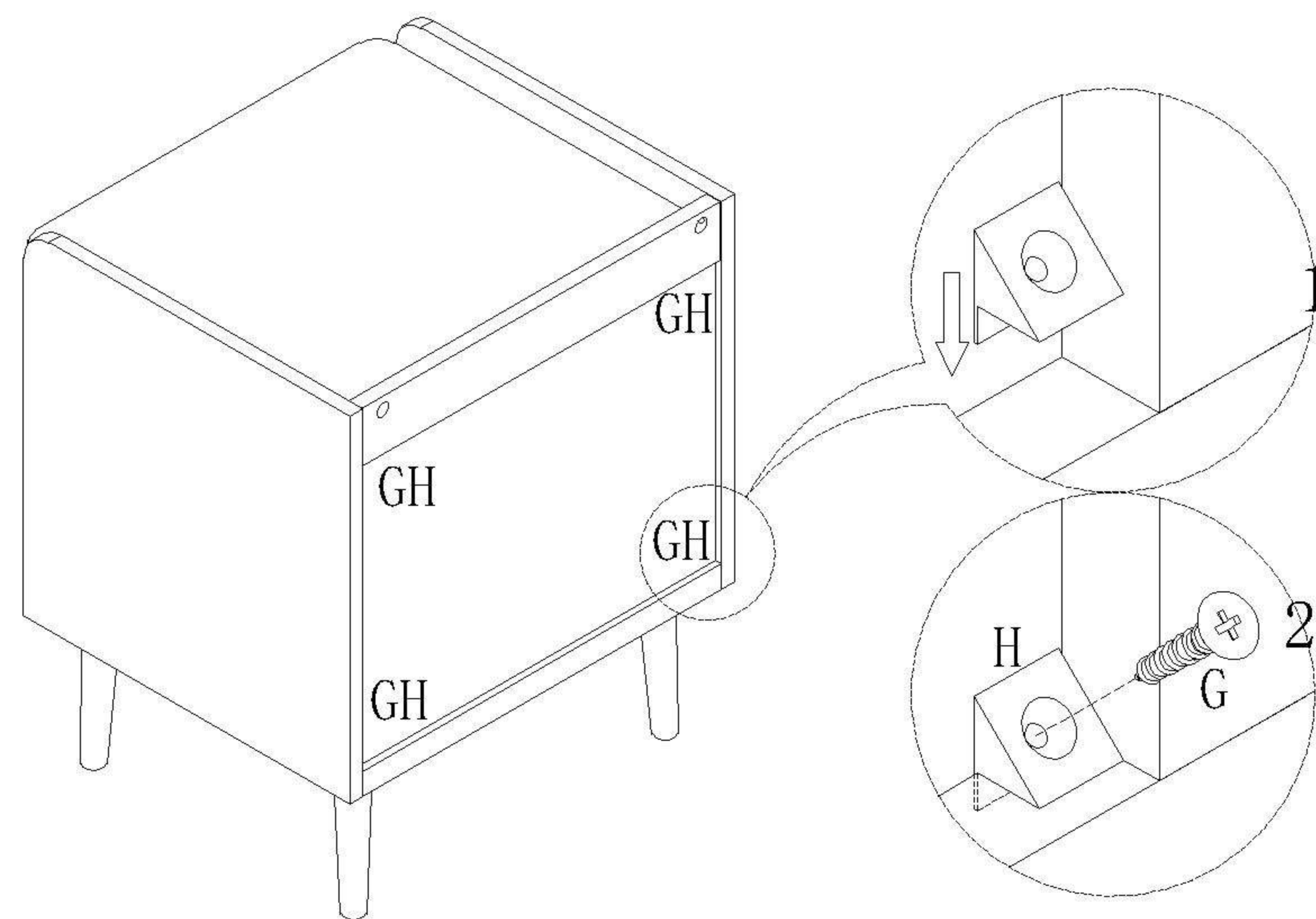
安装方法/
Installation method



(G)*4



(H)*4



15

