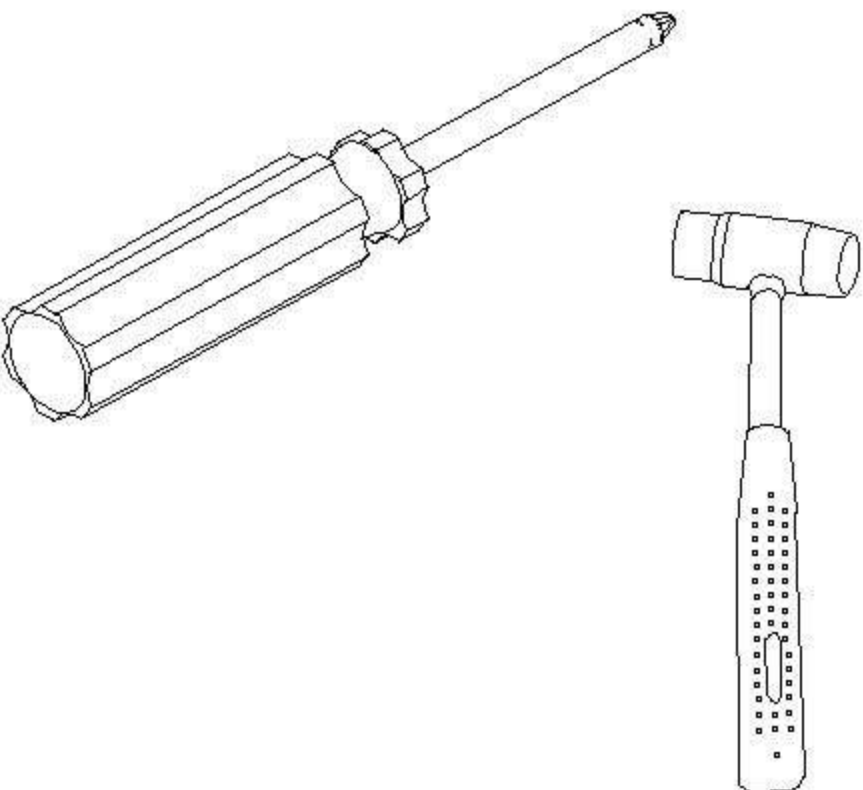
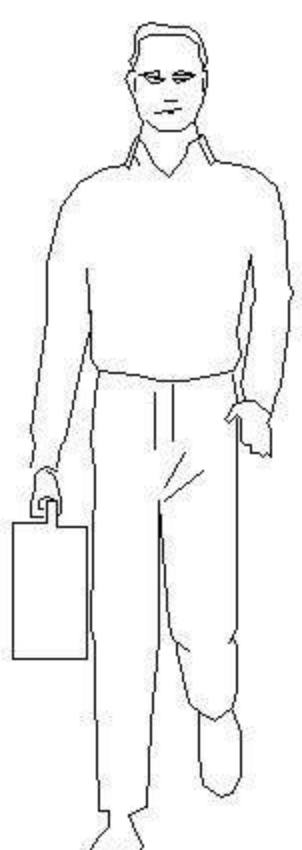
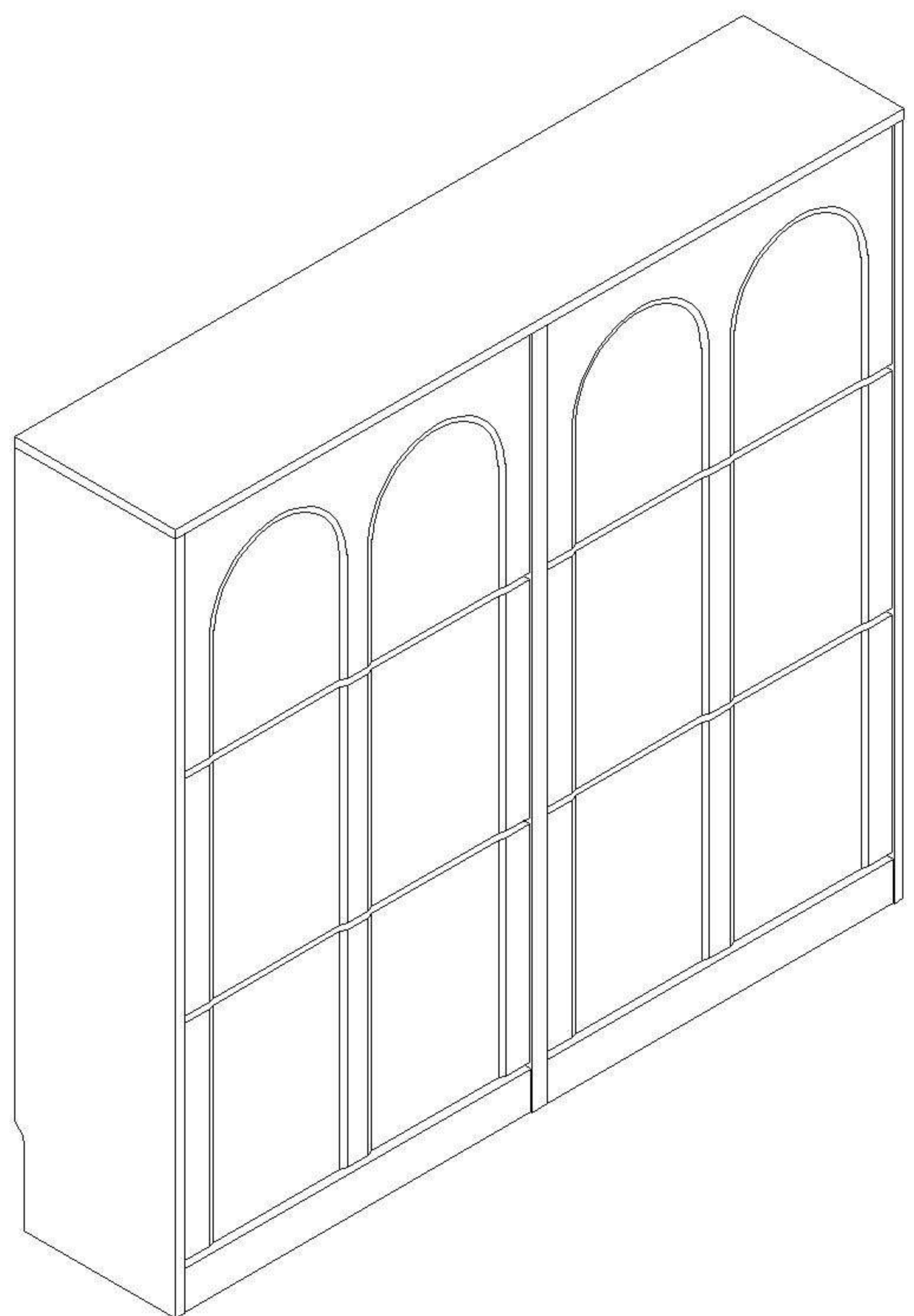
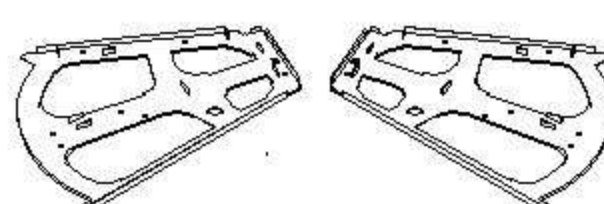

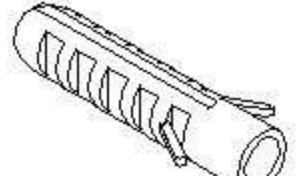
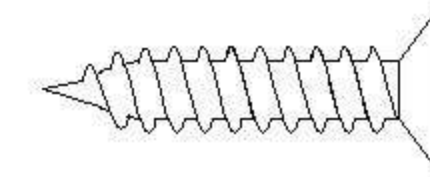
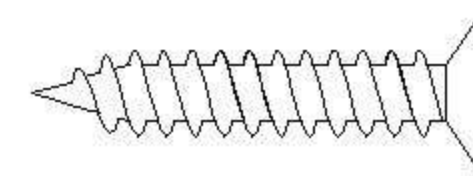
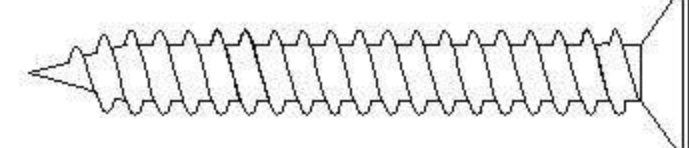
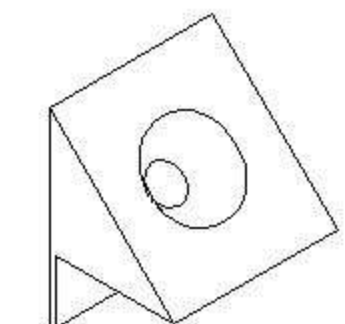
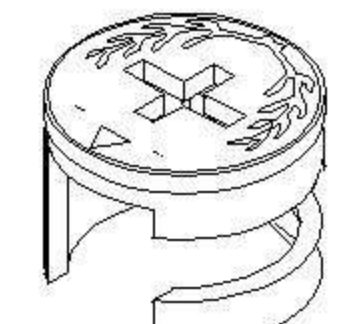
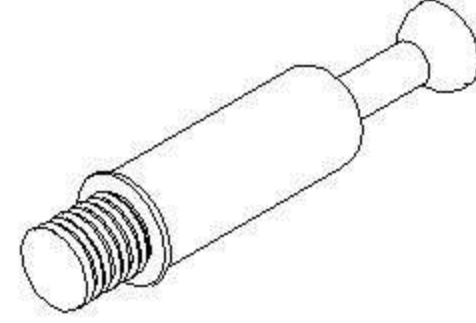
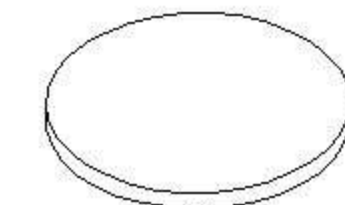
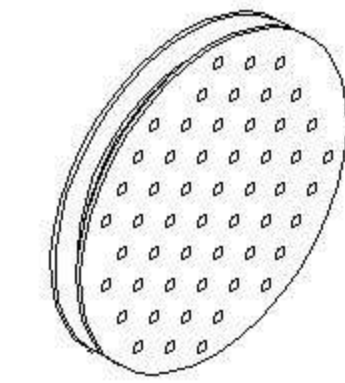
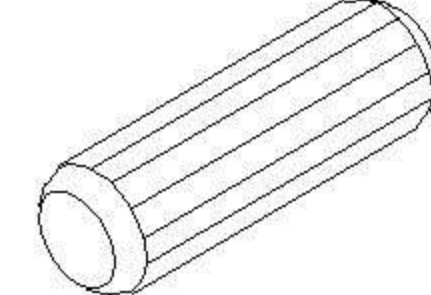
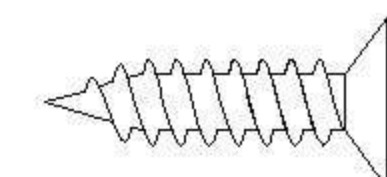
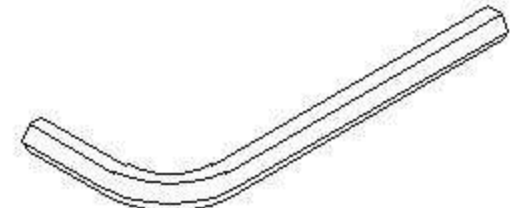
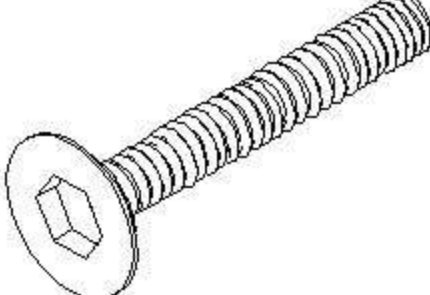


### 安装示意图/Assembly Instruction

产品名称 Model NO.	T04N-A(1.2m)
产品规格 Specification	1201*265*1163mm
安装工具 Tool	安装人数 Installer
	



 (A)* 6 双层鞋架-支架 Shoe rack - bracket	 (B)* 6 双层鞋柜五金配件 Shoe rack - accessories	 (C)* 2 膨胀胶粒 Expanded rubber particles	 (D)* 13 自攻螺丝M3.5x16mm Self-tapping screw
 (E)* 4 自攻螺丝M4x25mm Self-tapping screw	 (F)* 2 自攻螺丝M4x60mm Self-tapping screw	 (G)* 13 背板扣 Back Plate Buckle-White	 (H)* 36 大三合一锁饼 Three-in-one large lock
 (I)* 36 二合一螺杆 2-in-1-screw	 (J)* 9 灰色毛毡脚垫 Footrest - Grey	 (K)* 6 透气孔盖-白色 Vent cover - white	 (L)* 11 木榫Ø8x30mm wood tenon
 (M)*101 自攻螺丝M3.5x12mm Self-tapping screw	 (N)* 1 内六角扳手4mm spanner-(4mm) hex	 (O)* 3 过山丝-M7x38mm Self-tapping screw galvanized	

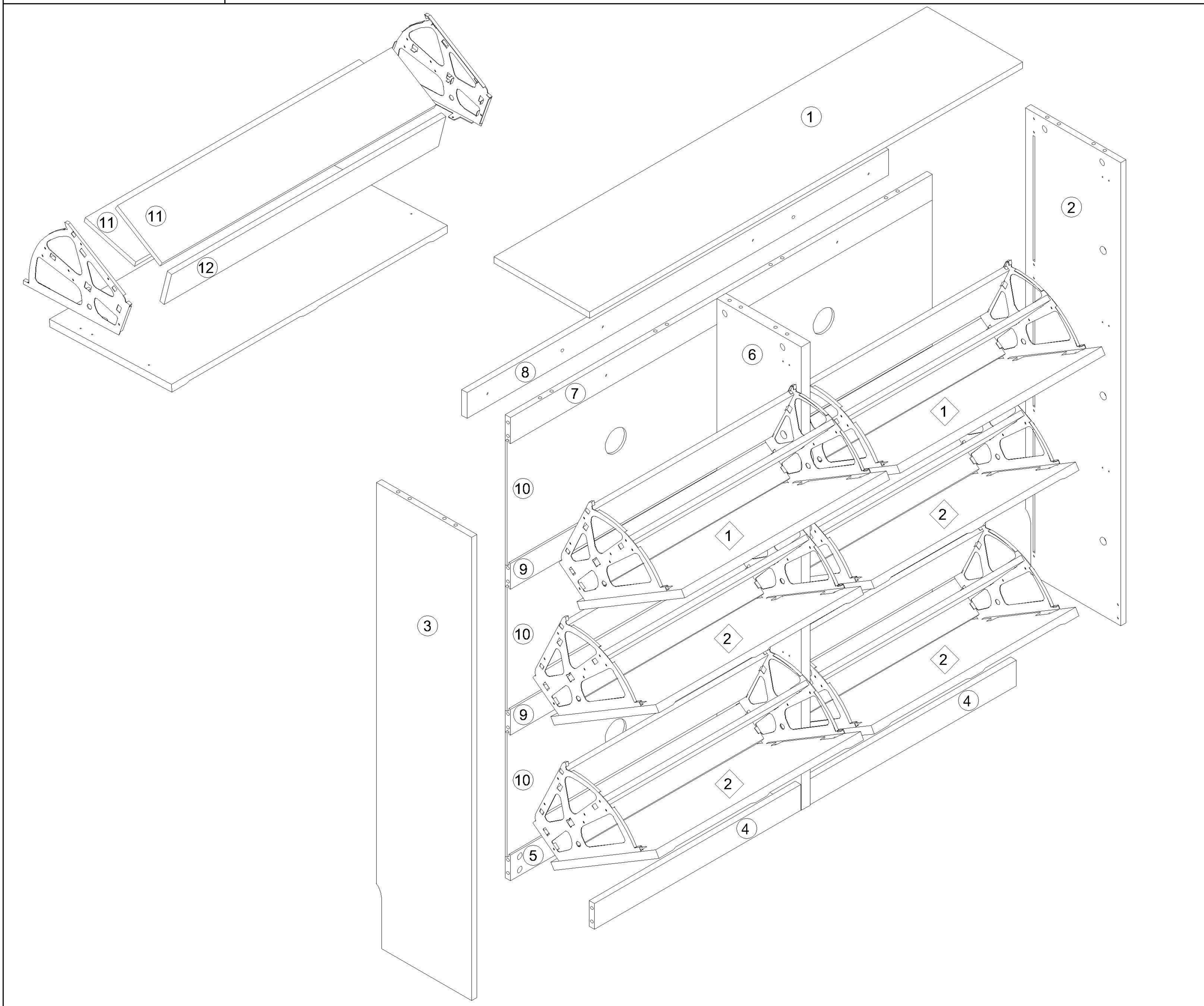
编号NO.	名称Name	规格 (mm) Specification	数量 QTY	材质Material
①	面板 Top panel	1201*265*15	1	人造板WBP
②	右侧板 Side board(R)	1145*264*15	1	人造板WBP
③	左侧板 Side board(L)	1145*264*15	1	人造板WBP
④	前脚条 Front foot strip	572*62*15	2	人造板WBP
⑤	后脚条 Back foot strip	1169*62*15	1	人造板WBP
⑥	中隔板 Middle clapboard	1145*233.5*25	1	人造板WBP
⑦	顶拉条 Top brace	1169*62*15	1	人造板WBP
⑧	支撑板 Support plate	1169*62*15	1	人造板WBP
⑨	中拉条 Brace	1169*77*15	2	人造板WBP
⑩	背板 Back board	1179*299*5	3	人造板WBP
⑪	层板1 Shelf 1	564*145*12	12	人造板WBP
⑫	层板2 Shelf 2	564*85*12	6	人造板WBP
⑬	上门板 Upper door board	568*350*18	2	人造板WBP
⑭	下门板 Under door board	568*350*18	4	人造板WBP

注：翻门板与柜体的间隙, 为设计开启翻门板使用, 小心夹伤!

Note: the gap between the flap and the cabinet is designed to open the drawer. Be careful not to pinch!

提示：产品靠墙放置, 并安装防倒装置

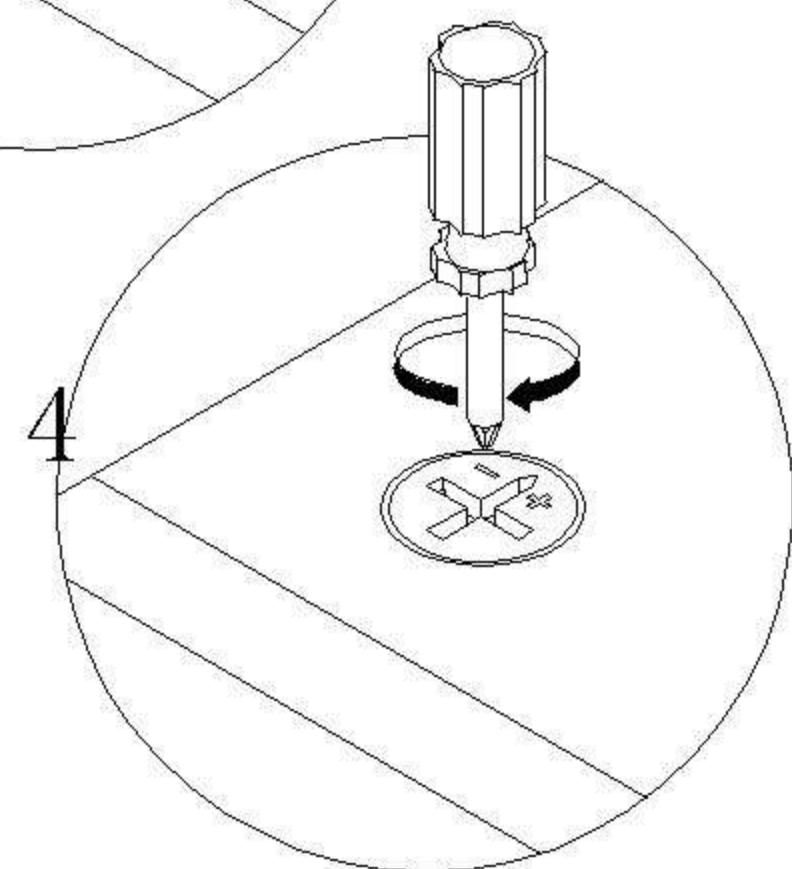
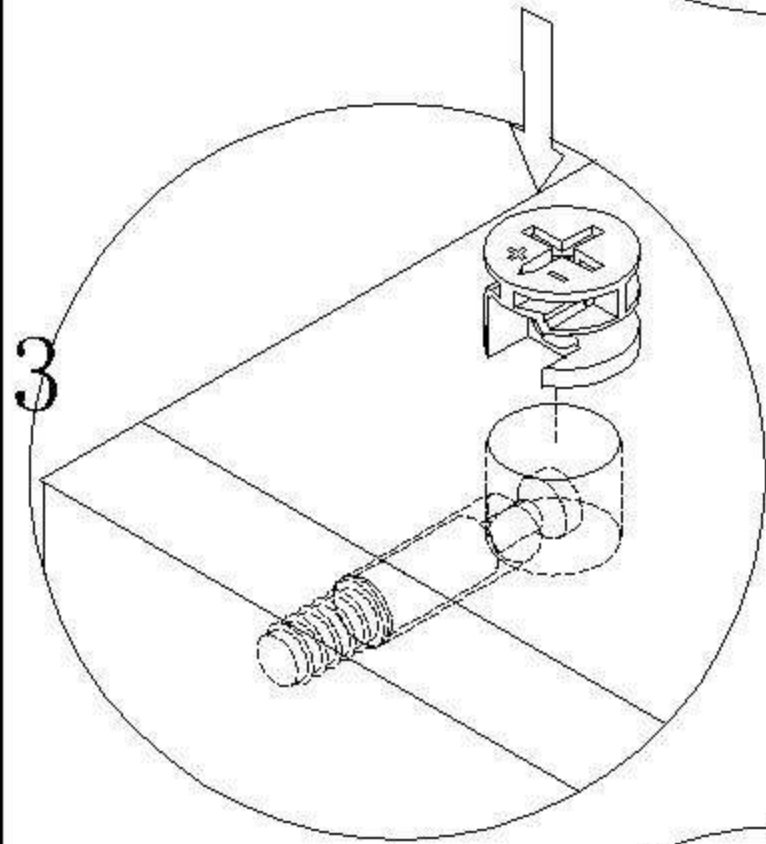
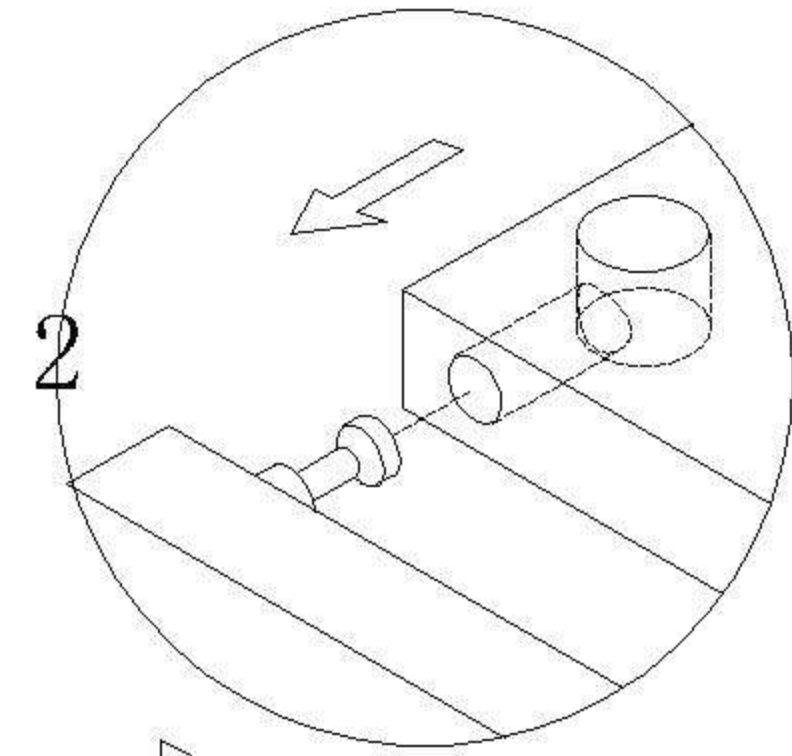
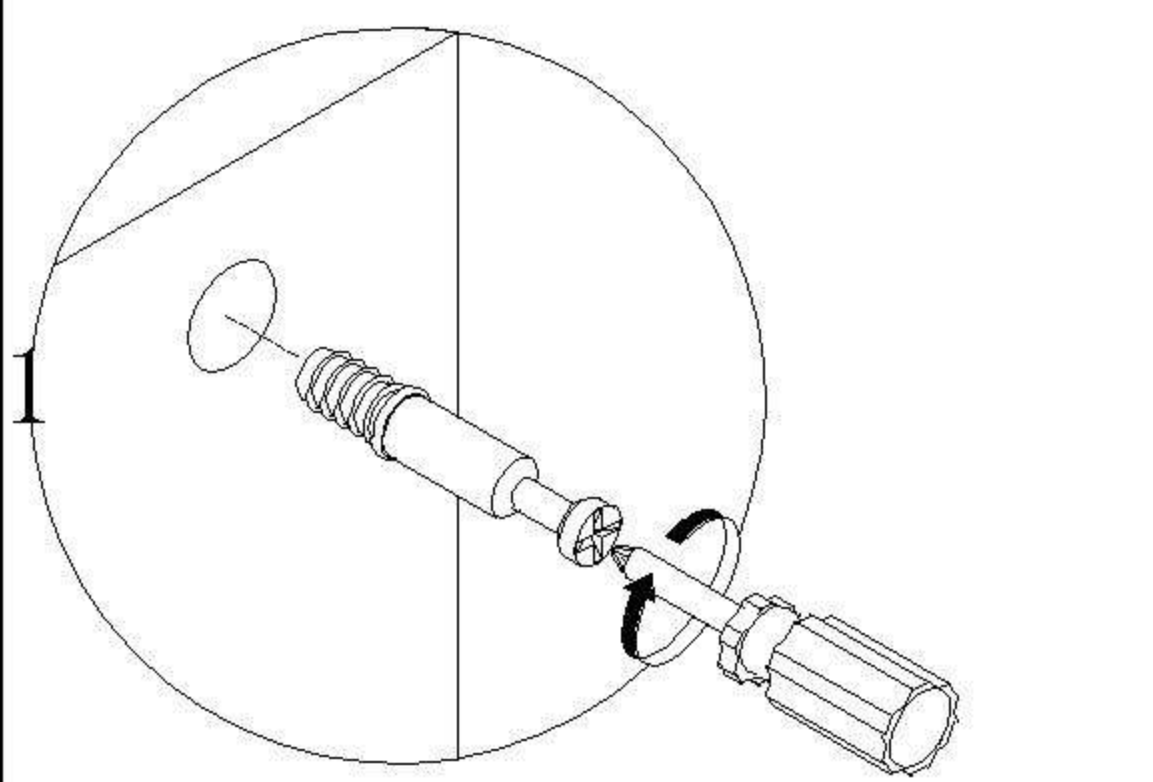
Tip: Place the product against the wall and install the anti falling device.



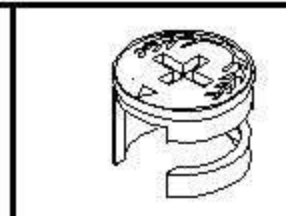
编号NO.	名称Name
①	面板 Top panel
②	右侧板 Side board(R)
③	左侧板 Side board(L)
④	前脚条 Front foot strip
⑤	后脚条 Back foot strip
⑥	中隔板 Middle clapboard
⑦	顶拉条 Top brace
⑧	支撑板 Support plate
⑨	中拉条 Brace
⑩	背板 Back board
⑪	层板1 Shelf 1
⑫	层板2 Shelf 2
◇1	上门板 Upper door board
◇2	下门板 Under door board

T04N-A (1.2m)

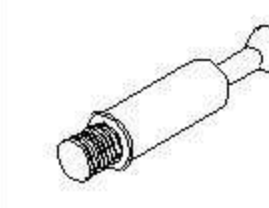
安装方法/  
Installation method



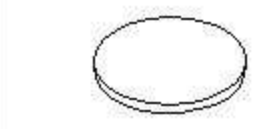
大二合一  
two-in-one



(H)\*4



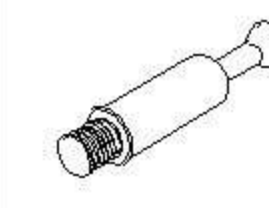
(I)\*4



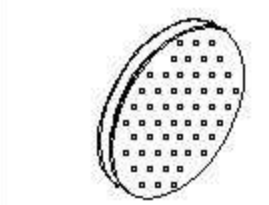
(J)\*3



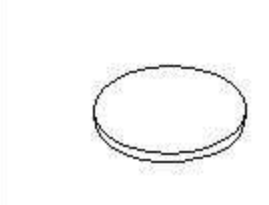
(H)\*10



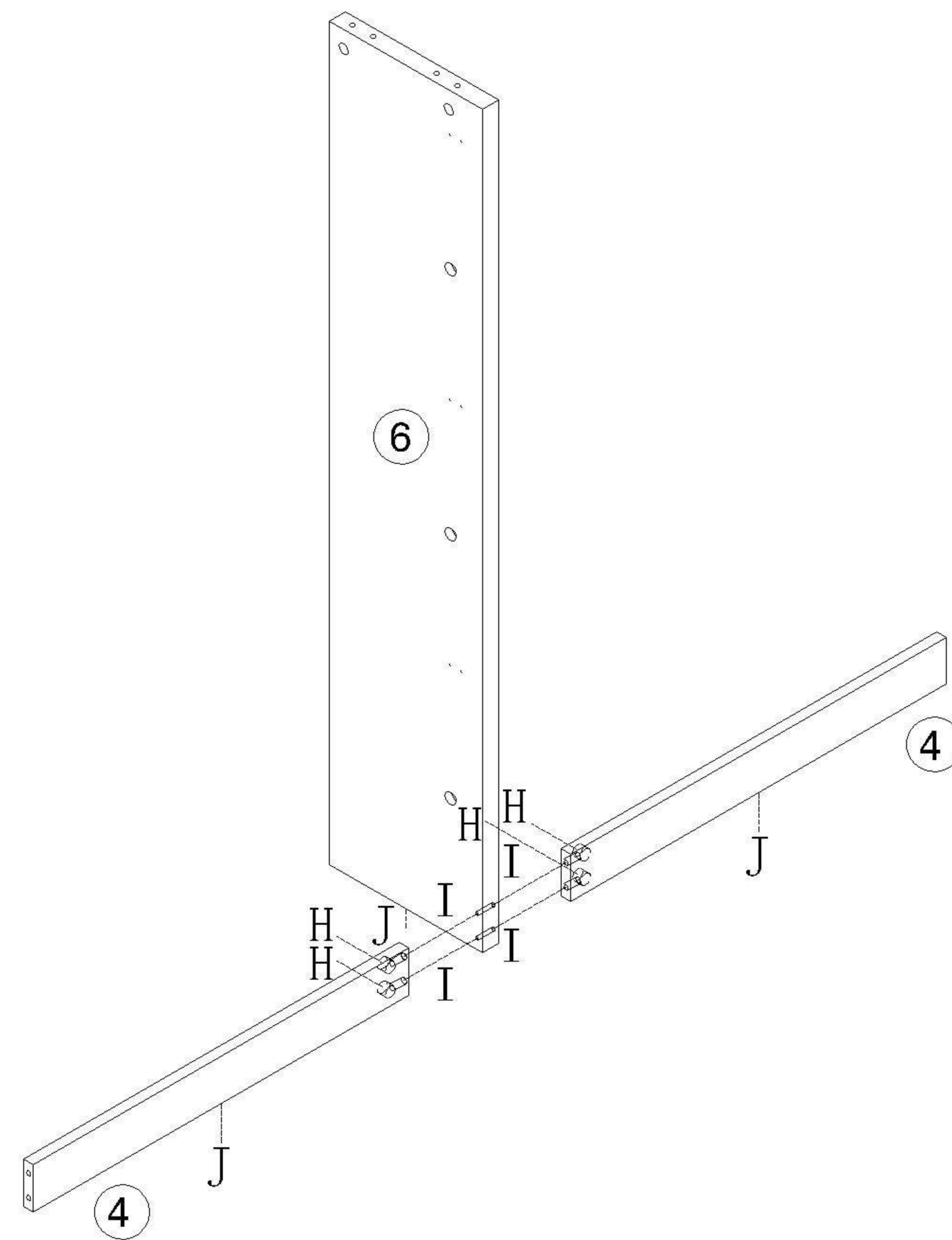
(I)\*10



(K)\*6



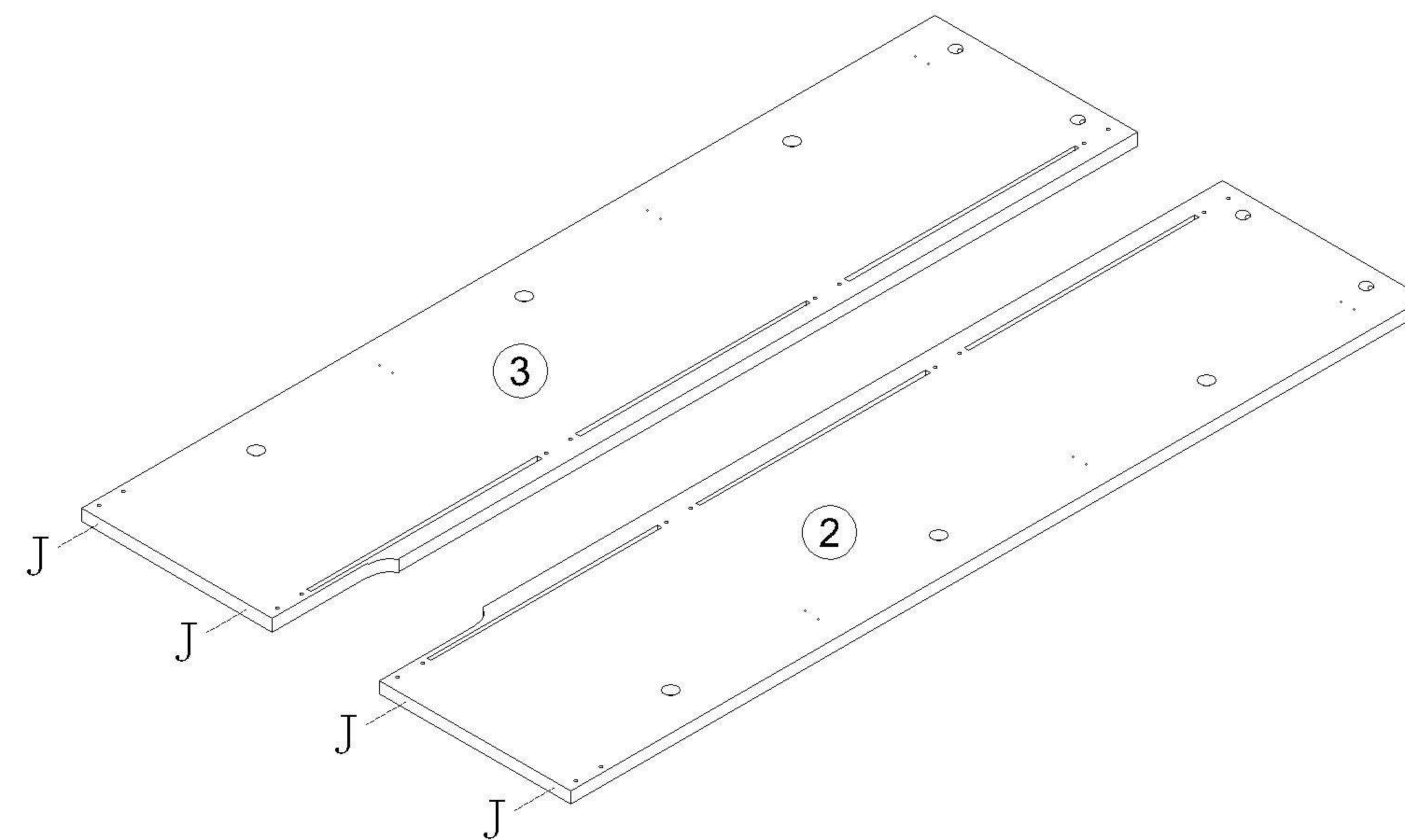
(J)\*2



1

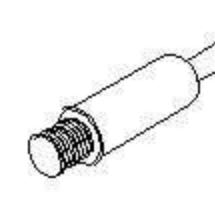
(J)\*4

2



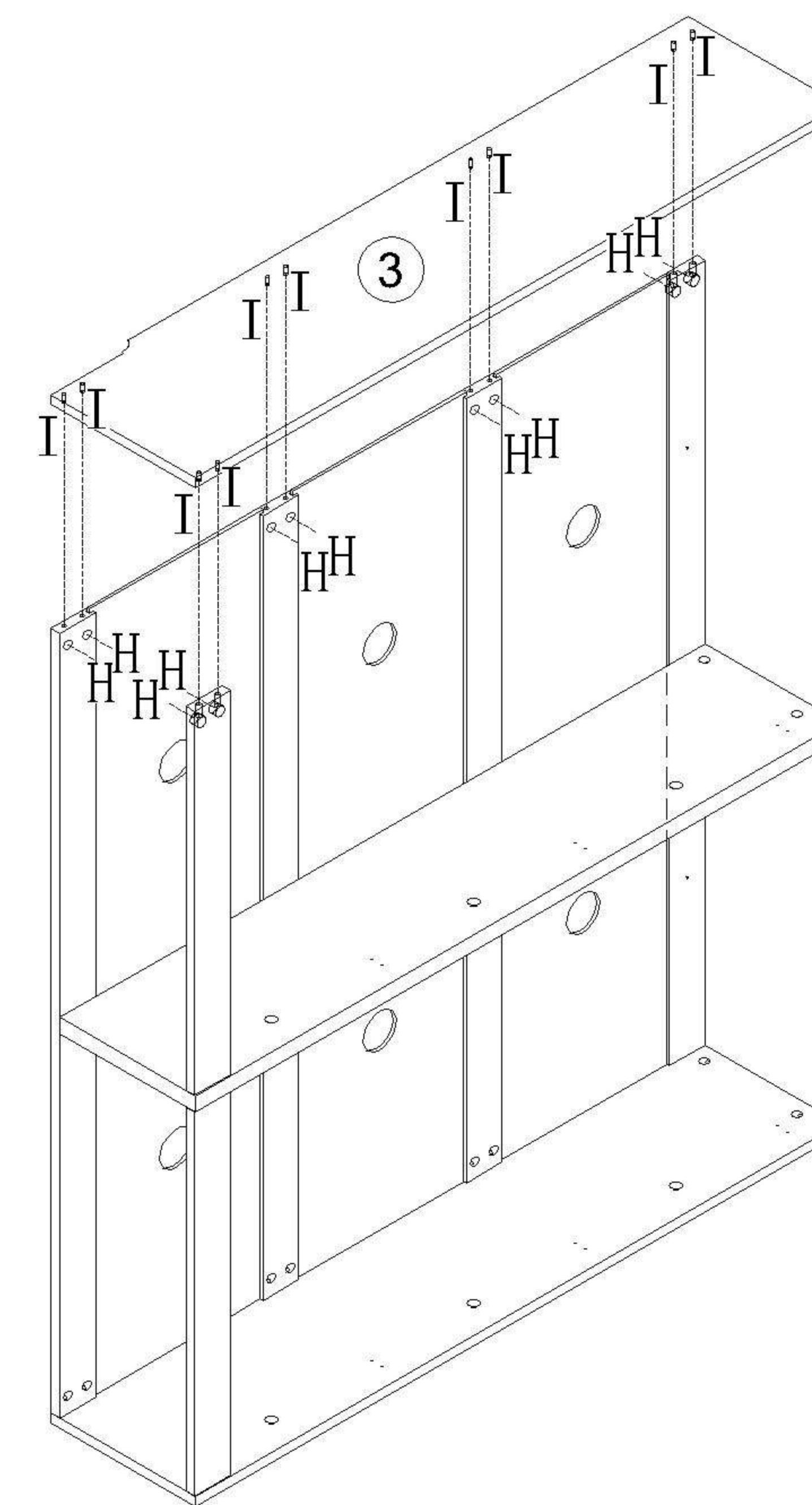
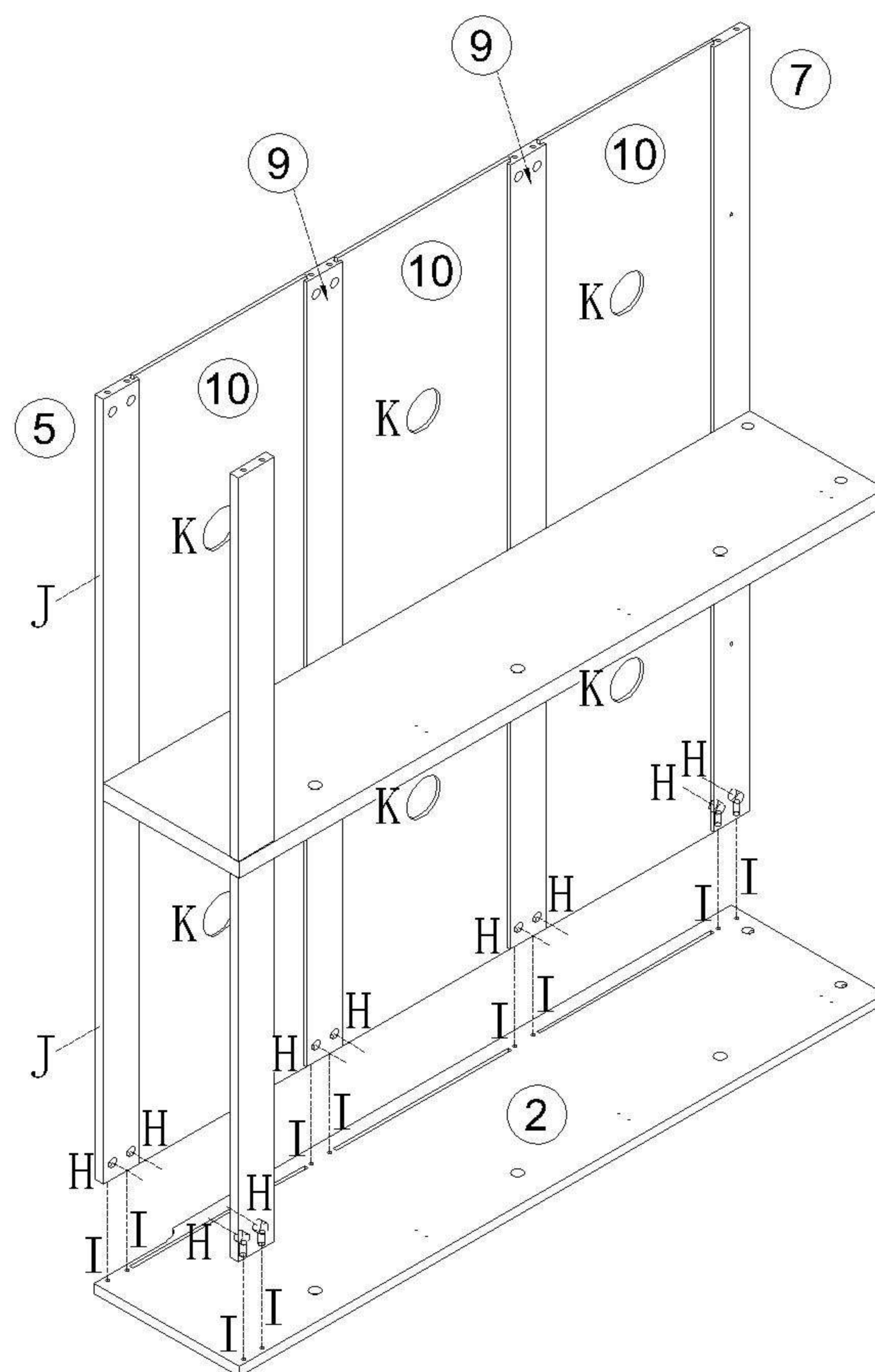
3

(H)\*10



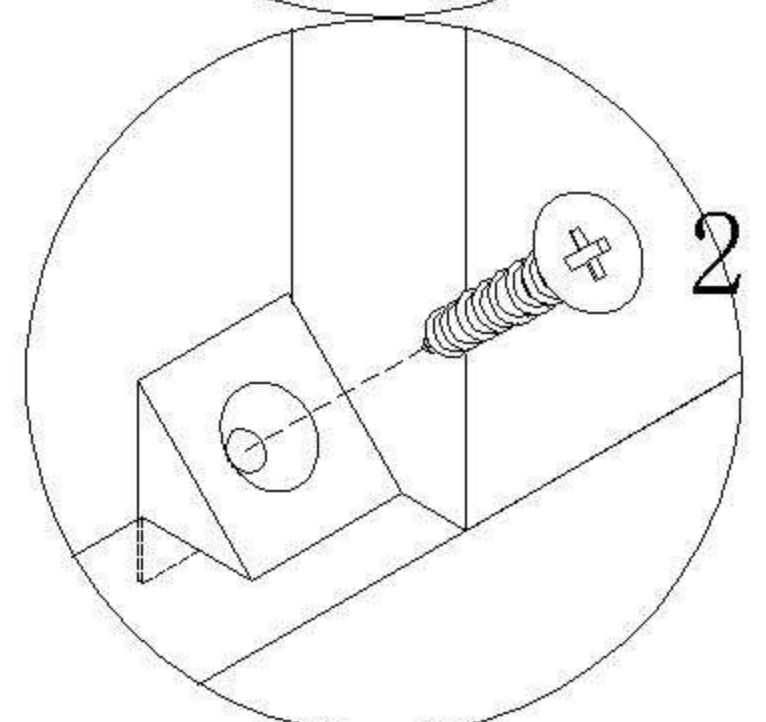
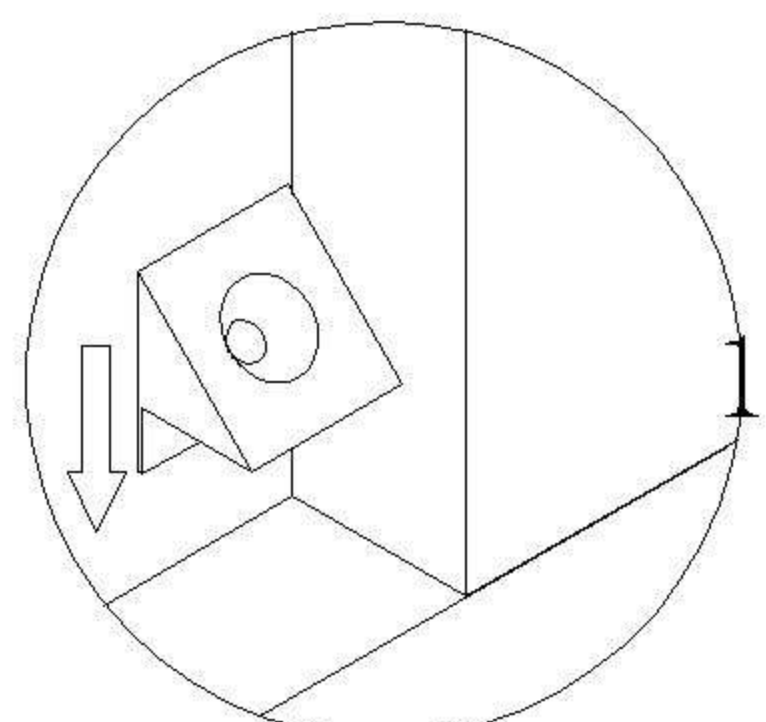
(I)\*10

4

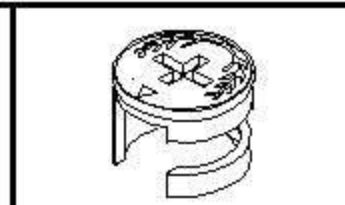


T04N-A (1.2m)

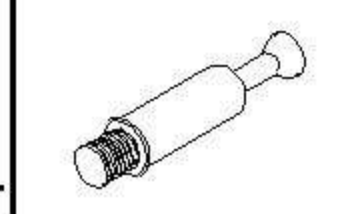
安装方法/  
Installation method



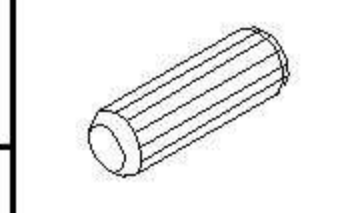
背板扣  
Back Plate Buckle-White



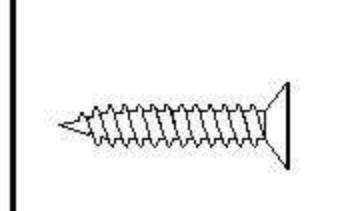
(H)\*10



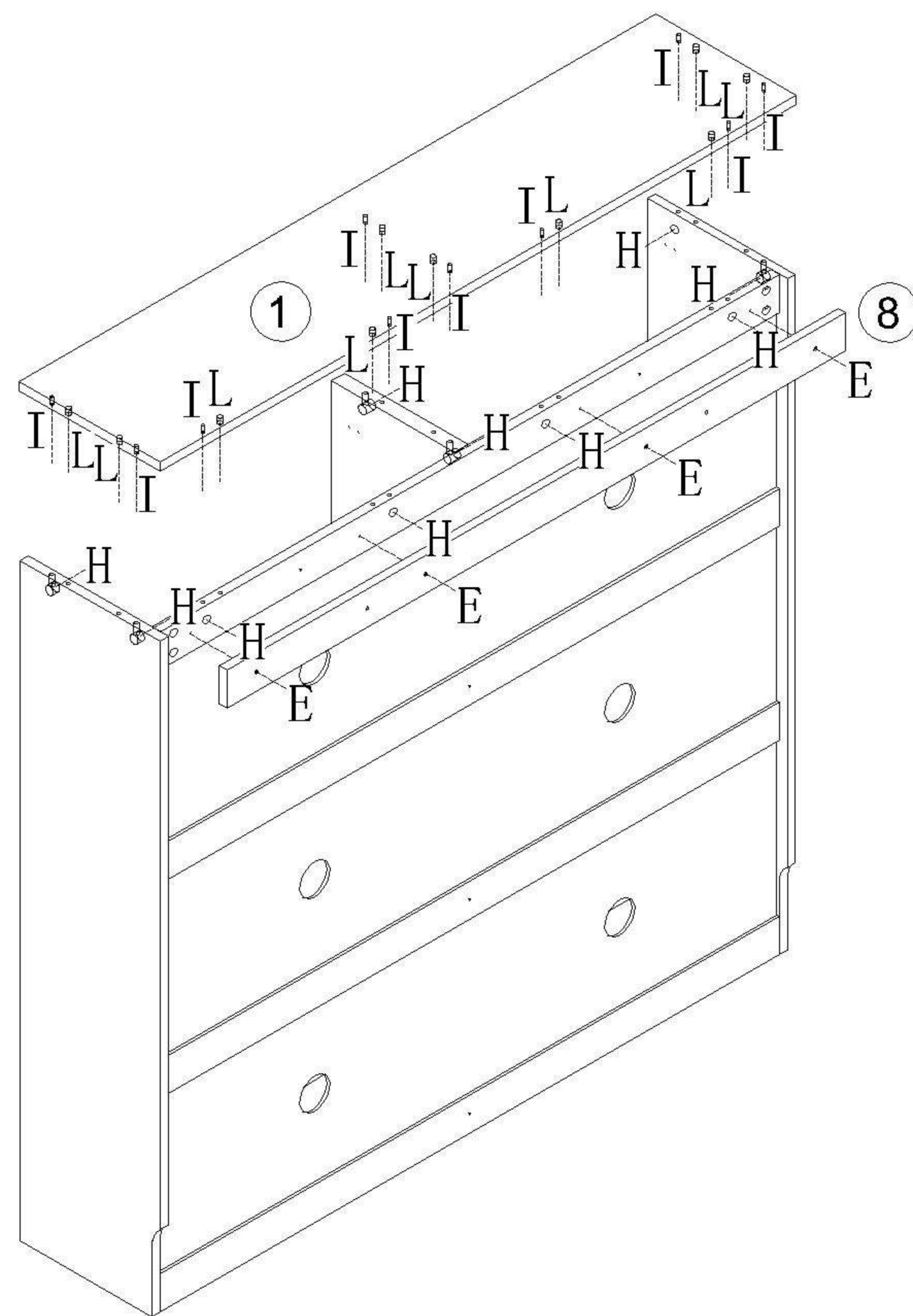
(I)\*10



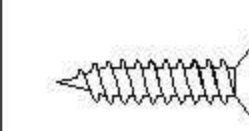
(L)\*10



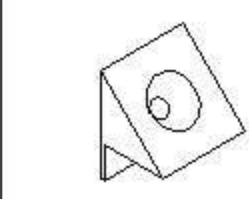
(E)\*4



5



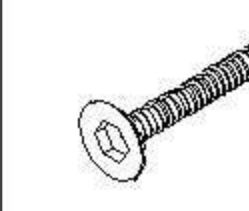
(D)\*12



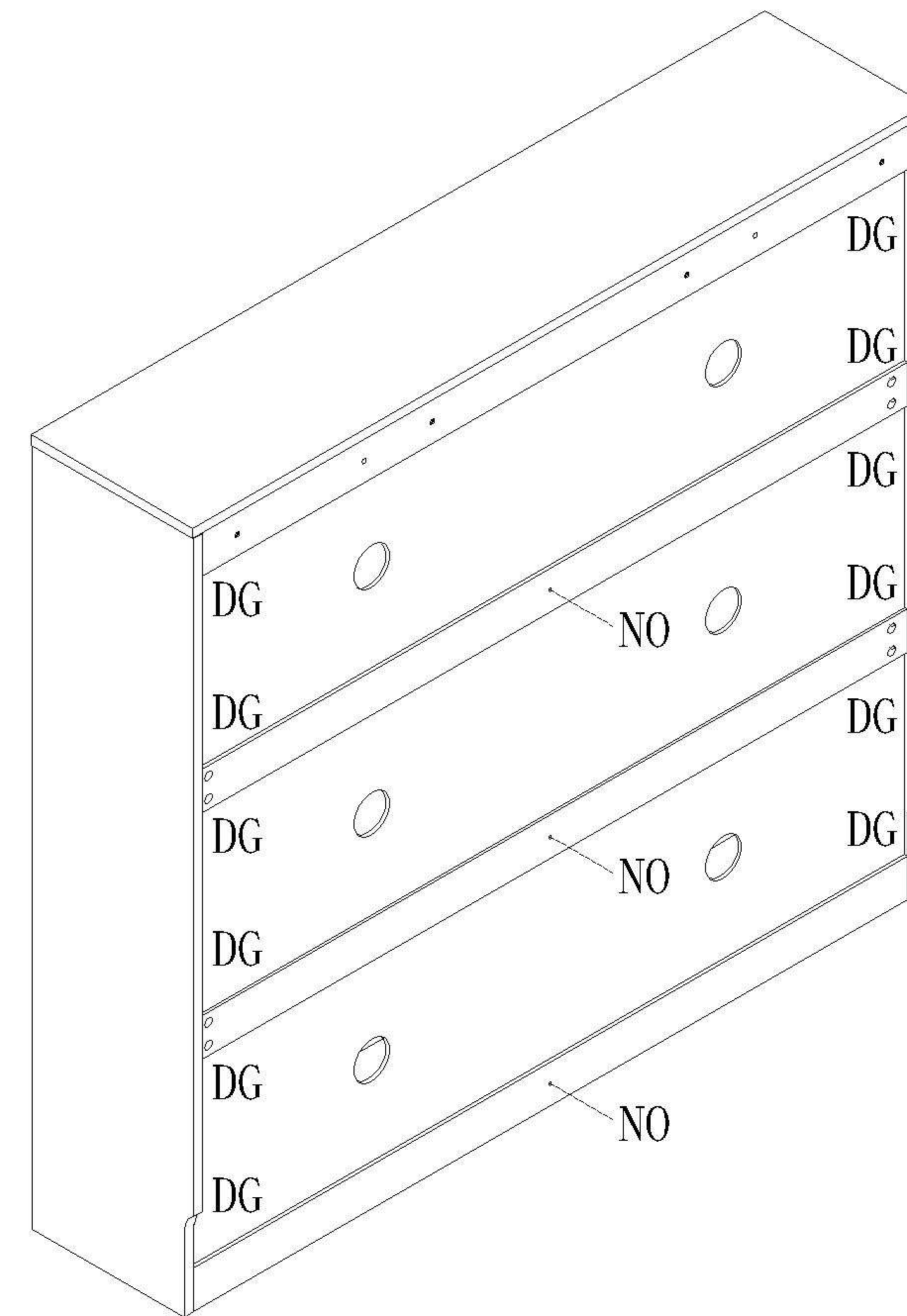
(G)\*12



(N)\*1



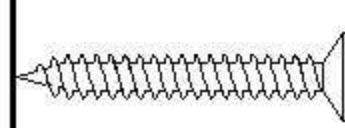
(O)\*3



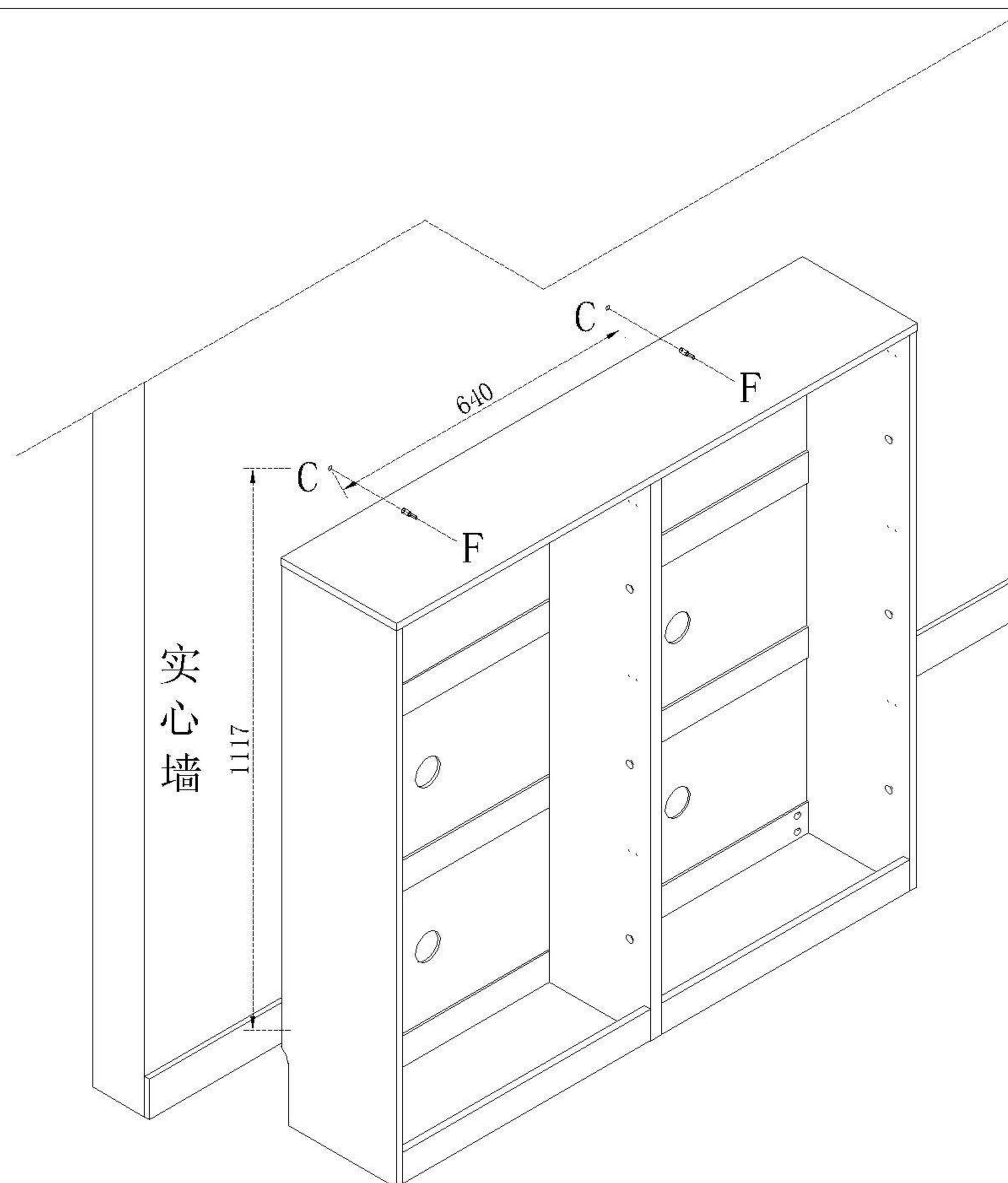
6



(C)\*2



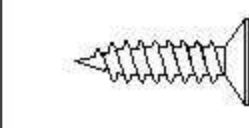
(F)\*2



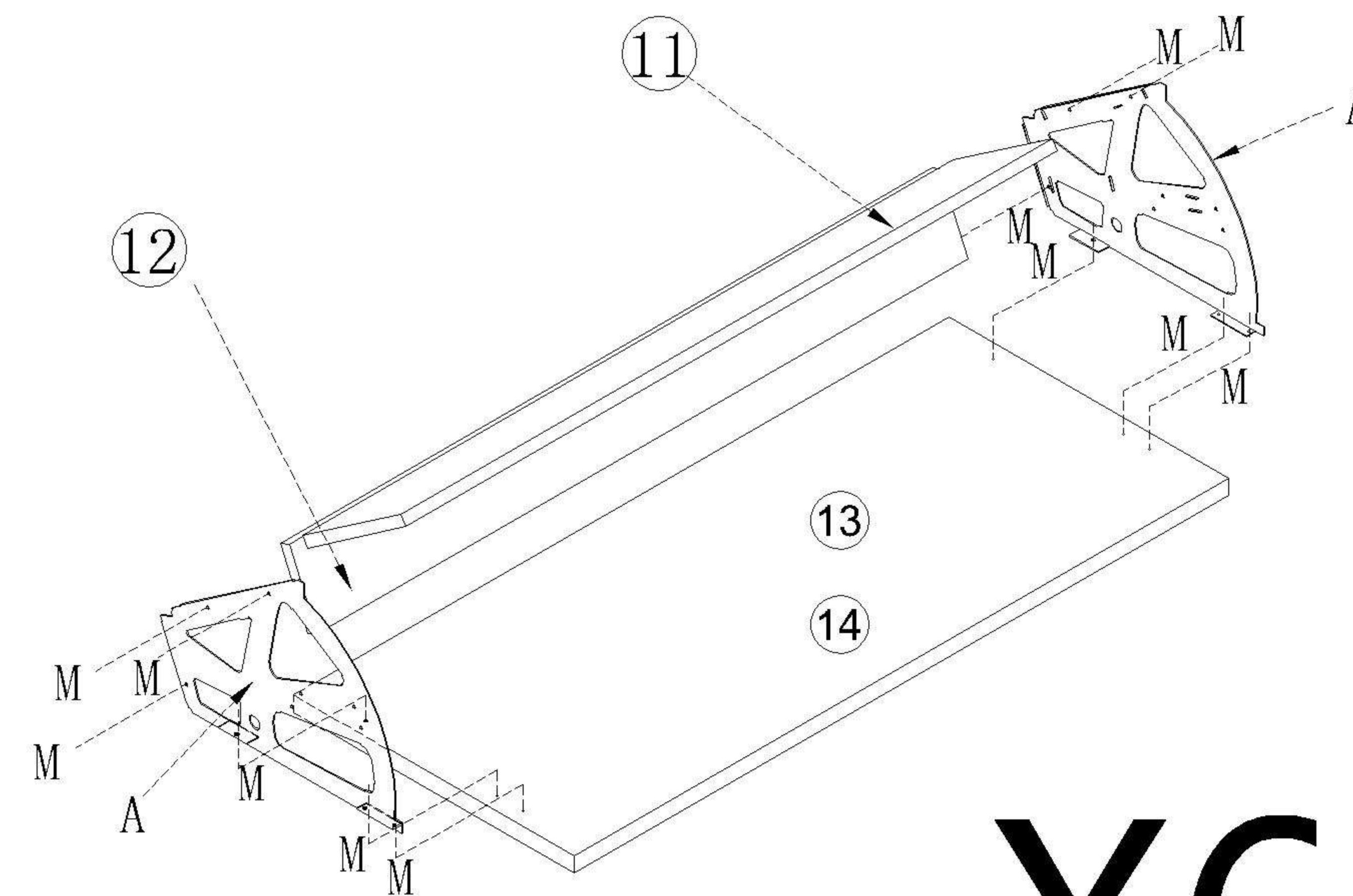
7



(A)\*6



(M)\*72



8

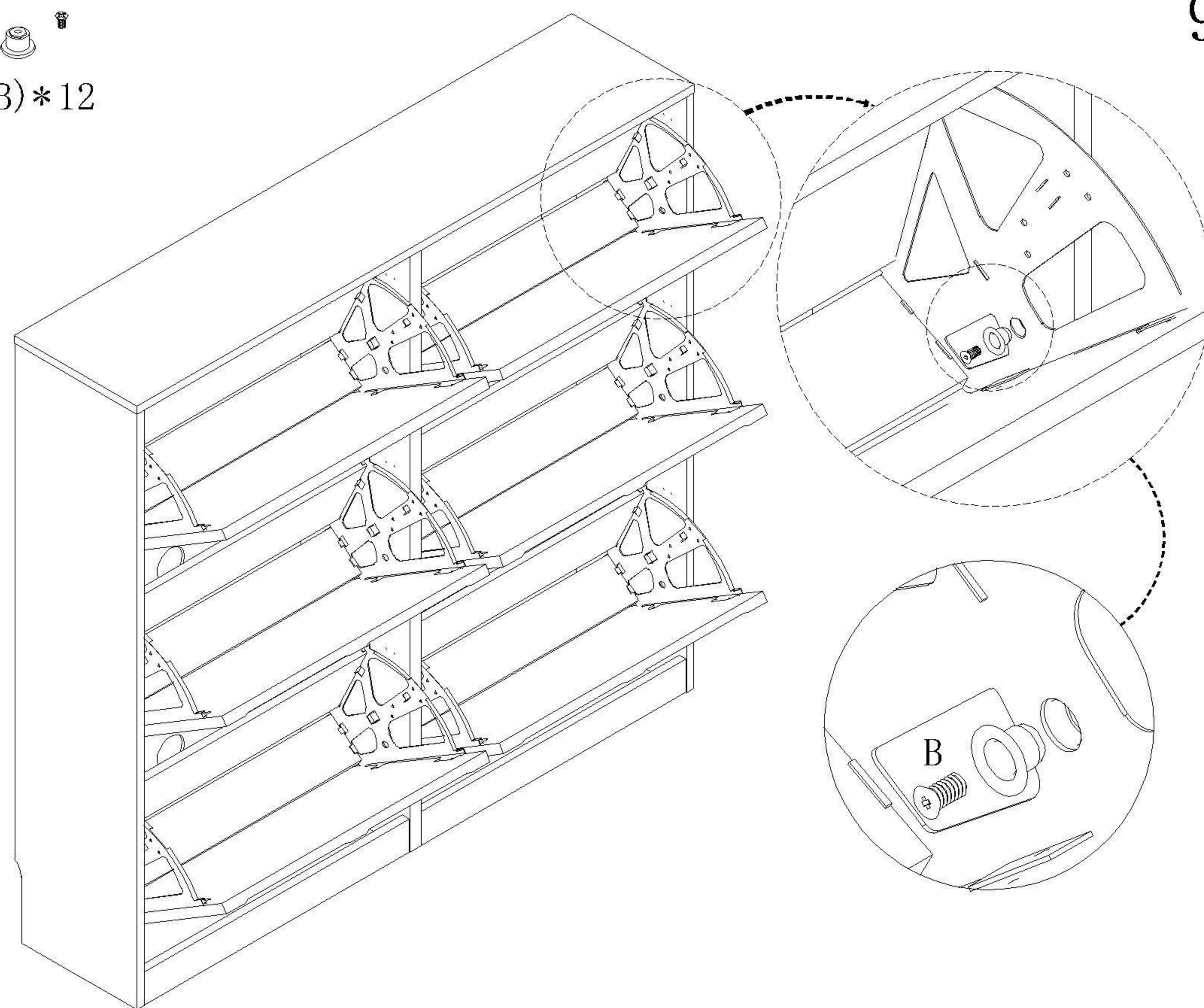
X6

T04N-A(1.2m)

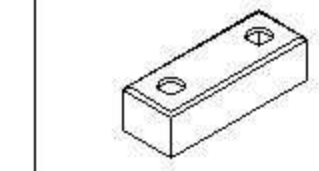
安装方法/  
Installation method



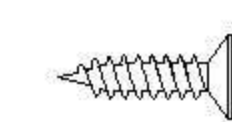
(B)\*12



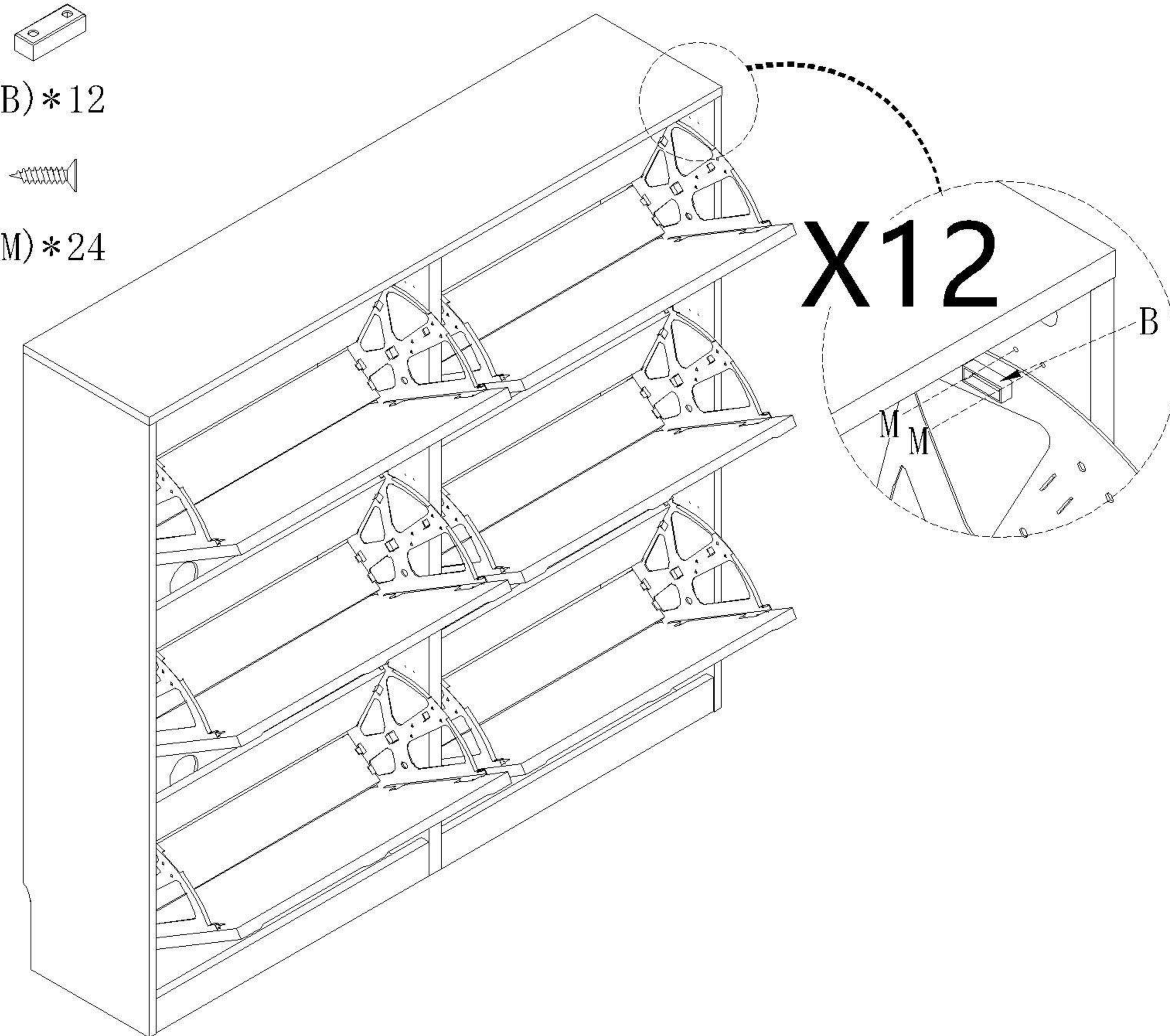
9



(B)\*12

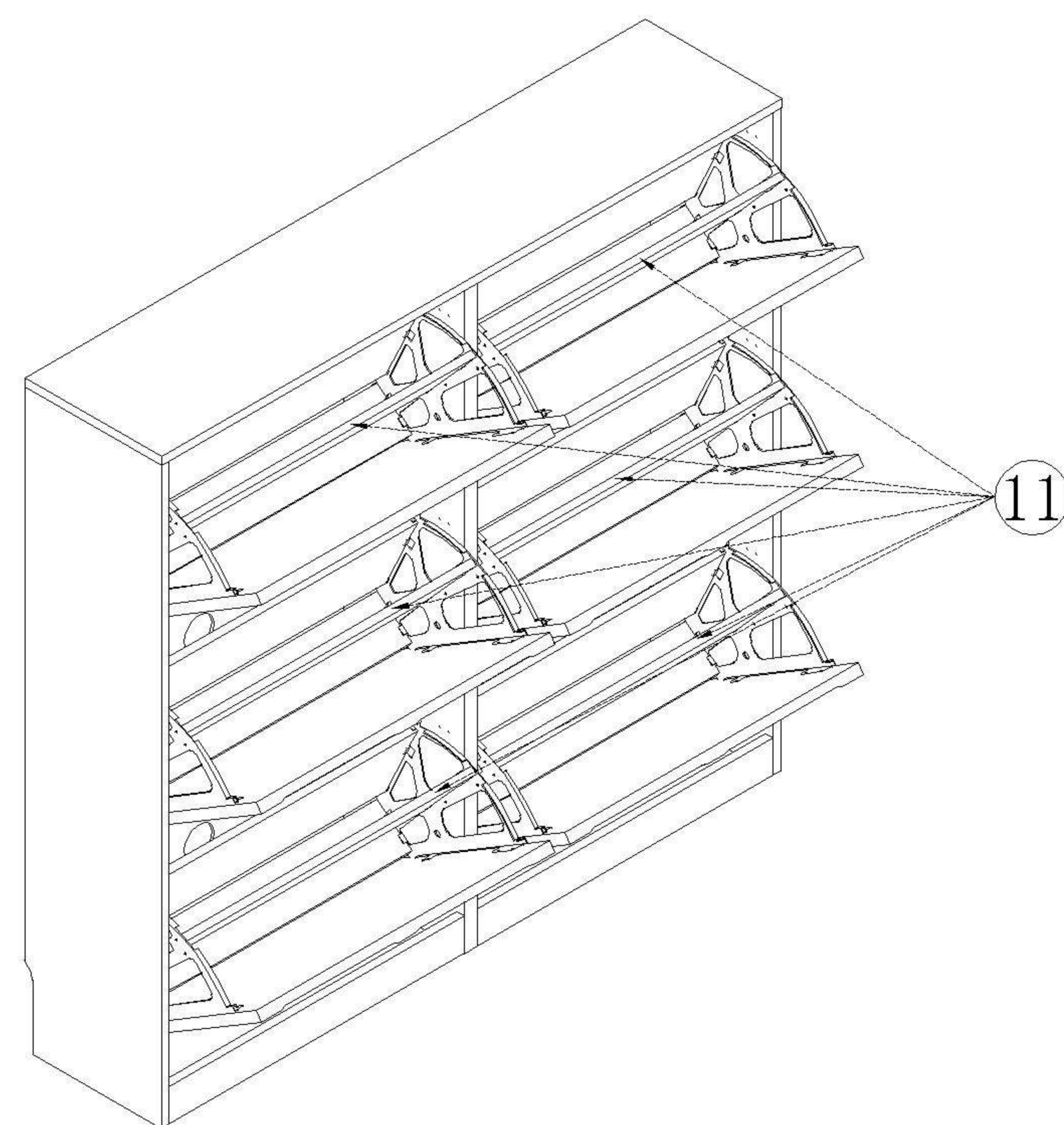


(M)\*24



10

11



12