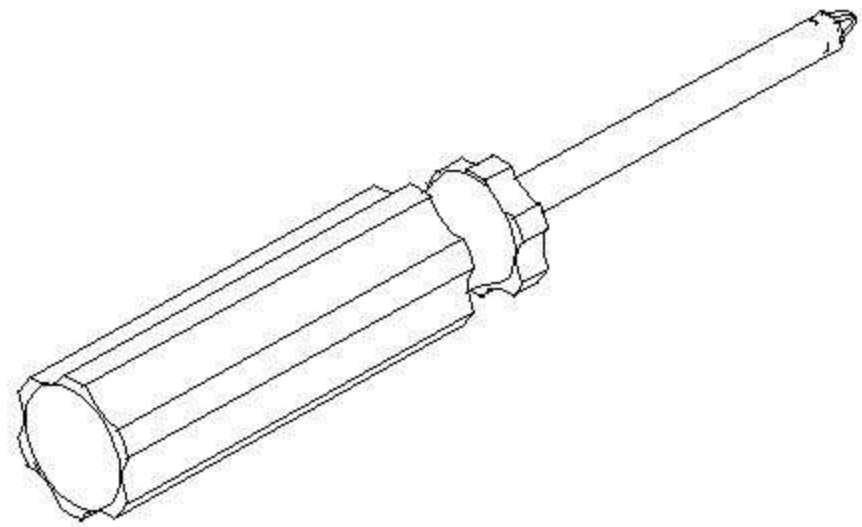
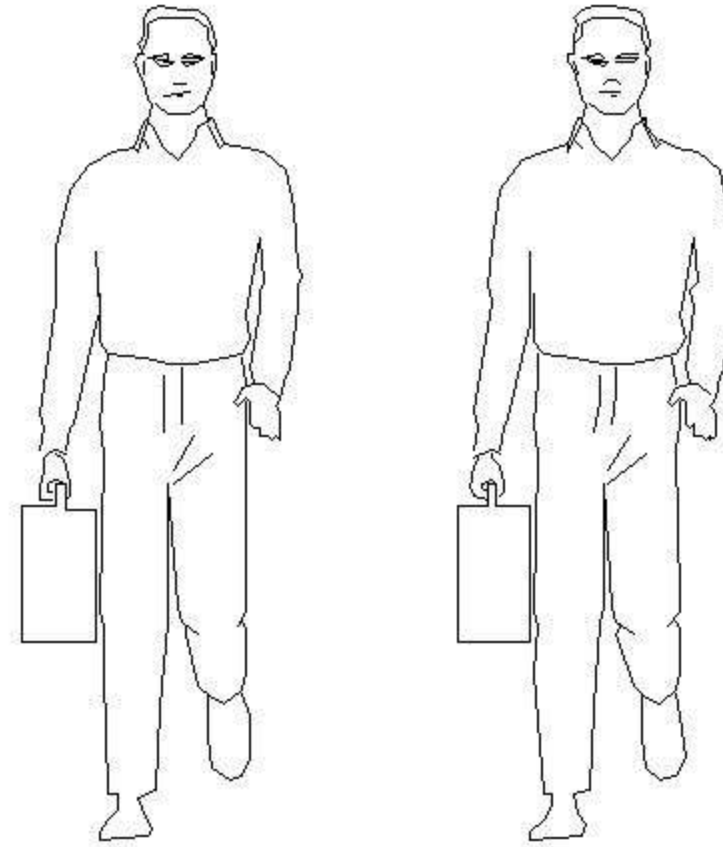


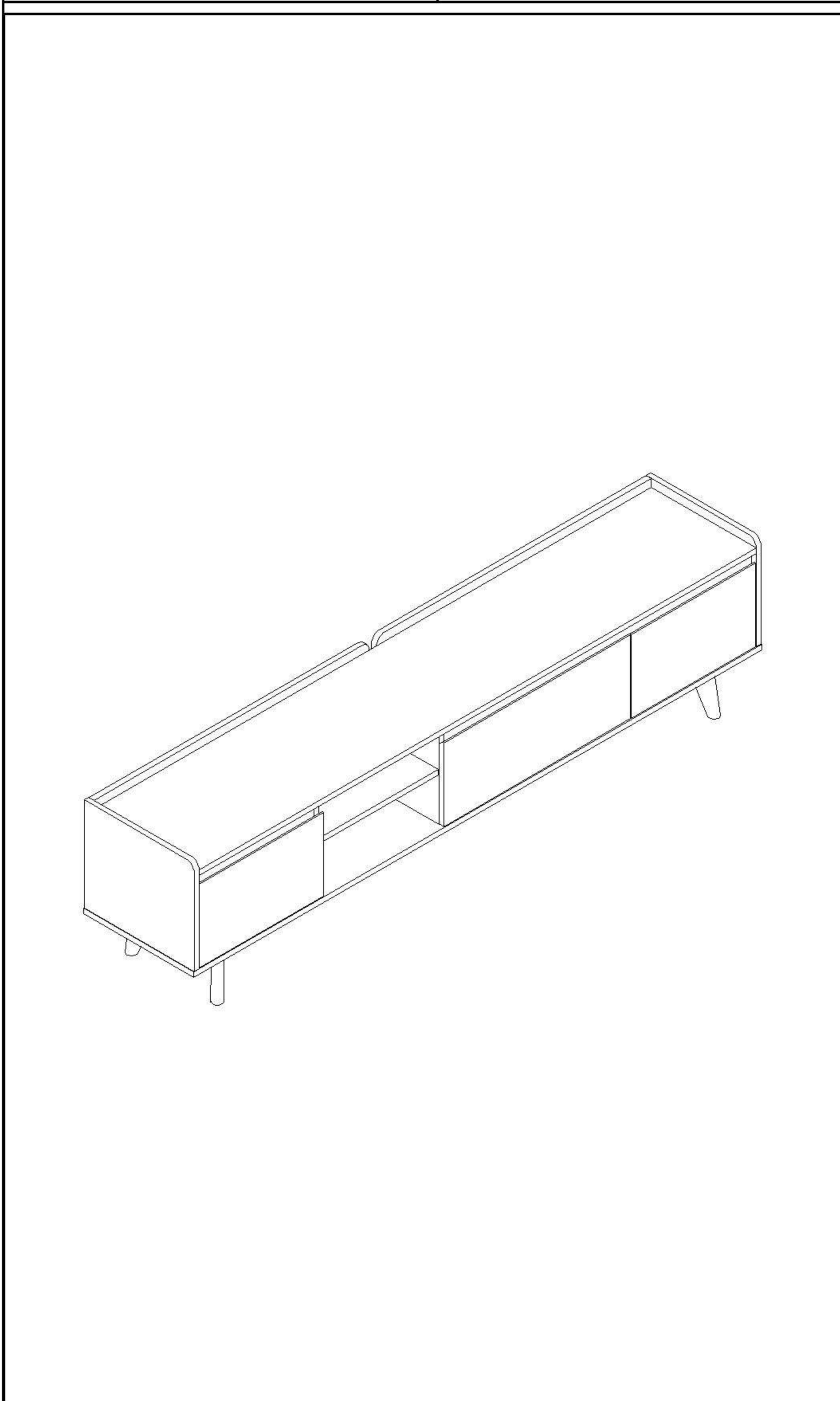
LINSY 林氏家居

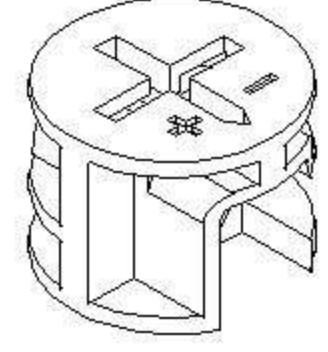
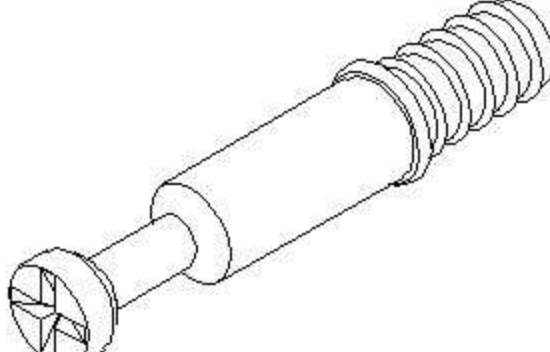
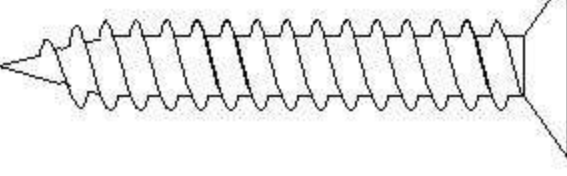
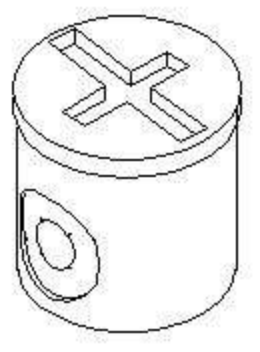
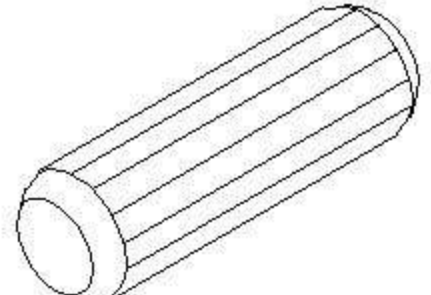
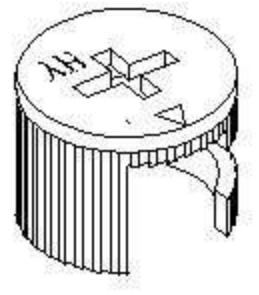
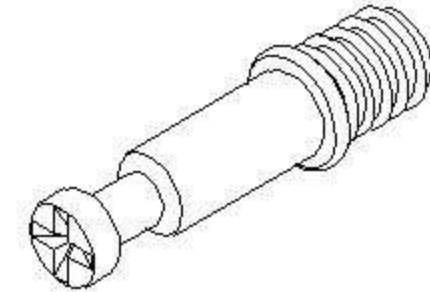
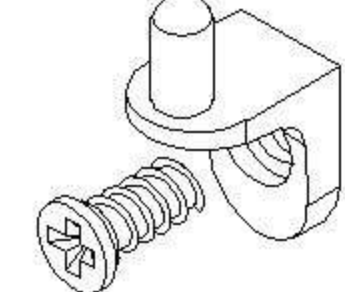
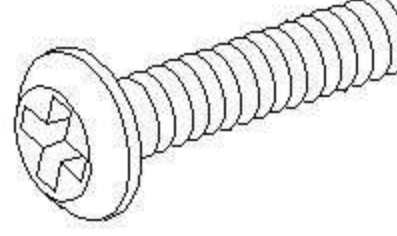
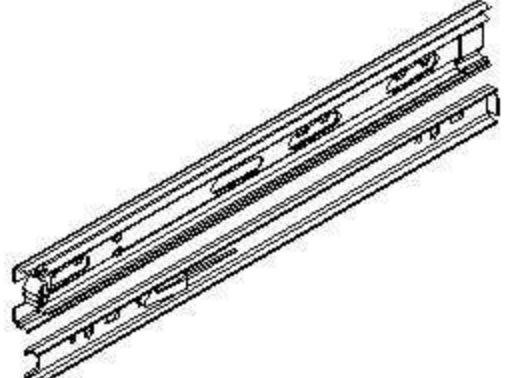
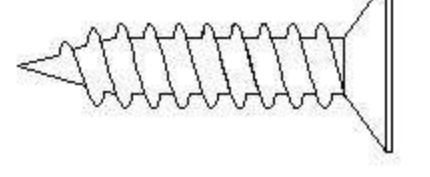
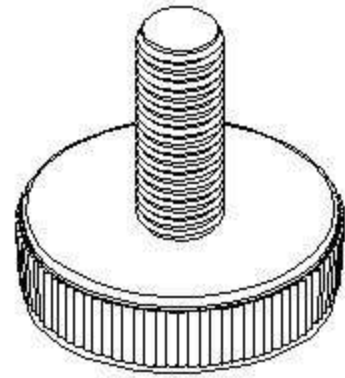
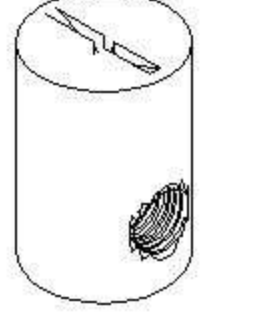
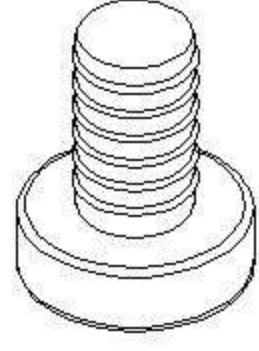
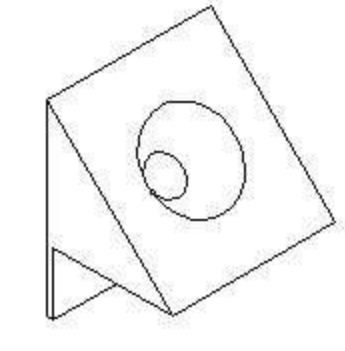
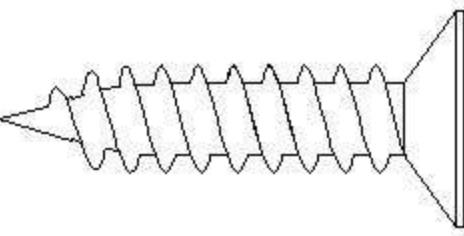
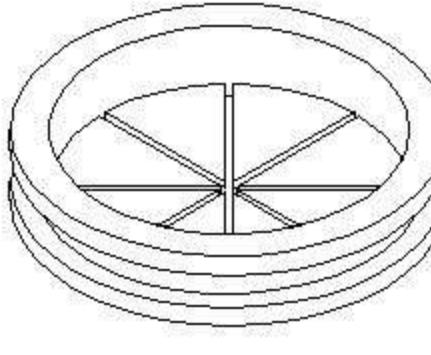
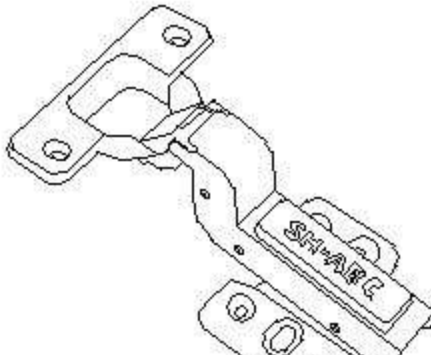
五金表/Hardware list

部件表/Parts List

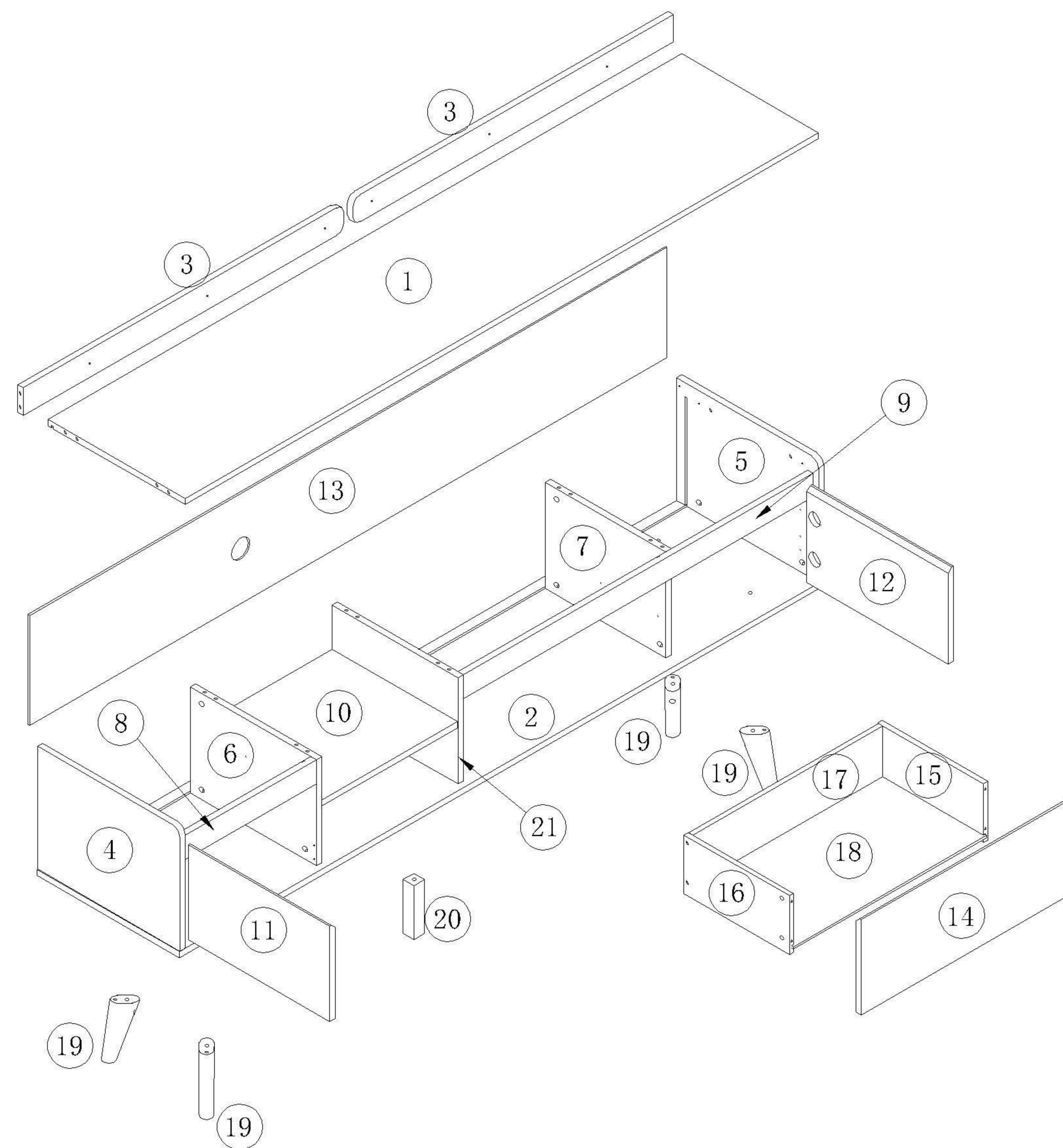
安装示意图/Assembly Instruction

产品名称 Model NO.	AC1M-A
产品规格 Specification	1802*350*462mm
安装工具 Tool	安装人数 Installer
	



 (A)*35 大三合一锁饼 Three-in-one large lock	 (B)*35 二合一螺杆 2-in-1-screw	 (C)*11 自攻螺丝M4x40mm Self tapping screw	 (D)*4 塑料螺母 Plastic Nut
 (E)*25 木榫Ø8x30mm wood tenon	 (F)*4 小三合一锁饼 3-in-1 small lock	 (G)*4 小二合一杆 2-in-1 small rod	 (H)*4 层板托5mm shelf support
 (I)*5 斜边十字螺杆-M8x50 bevel cross screw	 (J)*1 三节滚珠导轨10" Three-section rail	 (K)*13 自攻螺丝M3.5x12mm Self tapping screw	 (L)*1 调节五金脚 Adjusting hardware foot
 (M)*4 锤母-M8 Ø12x15mm Hammer nut	 (N)*4 9厘透明防滑PVC脚垫 Rubber stopper	 (O)*7 背板扣 White buckle	 (P)*7 自攻螺丝M3.5x16mm Self tapping screw
 (Q)*1 胶盖-白色穿线孔盖 Threading cover	 (R)*4 缓冲门铰大弯-杯径Ø35 Great bend hinge		

编号NO.	名称Name	规格 (MM) Specification	数量QTY	材质Material
①	面板Top panel	1770*334*15	1	人造板WBP
②	底板Bottom board	1802*350*15	1	人造板WBP
③	背拉条Back brace	873*65*15	2	人造板WBP
④	左侧板Side board(L)	297*350*15	1	人造板WBP
⑤	右侧板Side board(R)	297*350*15	1	人造板WBP
⑥	左中侧板Middle side board(L)	304*257*15	1	人造板WBP
⑦	右中侧板Middle side board(R)	289*257*15	1	人造板WBP
⑧	左挡板Baffle(L)	382*58*15	1	人造板WBP
⑨	右挡板Baffle(R)	977*58*15	1	人造板WBP
⑩	活动层板Movable shelf	380*298*15	1	人造板WBP
⑪	左门板Door board(L)	395*235*15	1	人造板WBP
⑫	右门板Door board(R)	395*235*15	1	人造板WBP
⑬	背板Back board	1780*266*5	1	人造板WBP
⑭	抽屉面板Drawer's top panel	593*235*15	1	人造板WBP
⑮	抽屉右侧板Drawer's side board(R)	295*142*12	1	人造板WBP
⑯	抽屉左侧板Drawer's side board(L)	295*142*12	1	人造板WBP
⑰	抽屉后板Drawer's Back board	530*142*12	1	人造板WBP
⑱	抽屉底板Drawer's Bottom board	540*291*5	1	人造板WBP
⑲	脚Foot	145*77*30	4	实木 Wood
⑳	中脚Middle foot	130*30*30	1	实木 Wood
㉑	中中侧板Middle side board(M)	304*257*15	1	人造板WBP

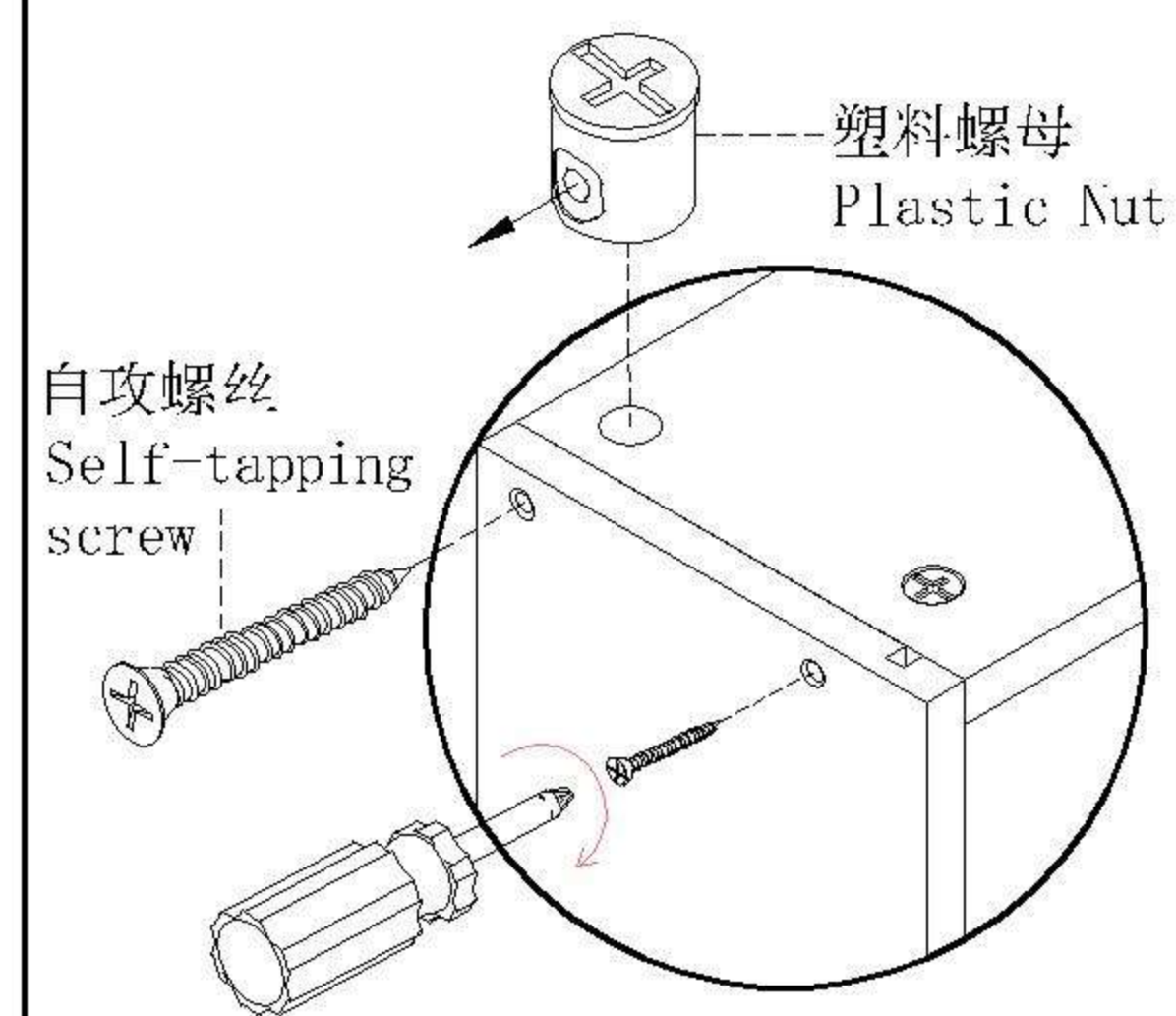


编号NO.	名称Name
①	面板Top panel
②	底板Bottom board
③	背拉条Back brace
④	左侧板Side board(L)
⑤	右侧板Side board(R)
⑥	左中侧板Middle side board(L)
⑦	右中侧板Middle side board(R)
⑧	左档板Baffle(L)
⑨	右档板Baffle(R)
⑩	活动层板Movable shelf
⑪	左门板Door board(L)
⑫	右门板Door board(R)
⑬	背板Back board
⑭	抽屉面板Drawer's top panel
⑮	抽屉右侧板Drawer's side board(R)
⑯	抽屉左侧板Drawer's side board(L)
⑰	抽屉后板Drawer's Back board
⑱	抽屉底板Drawer's Bottom board
⑲	脚Foot
⑳	中脚Middle foot
㉑	中中侧板Middle side board(M)

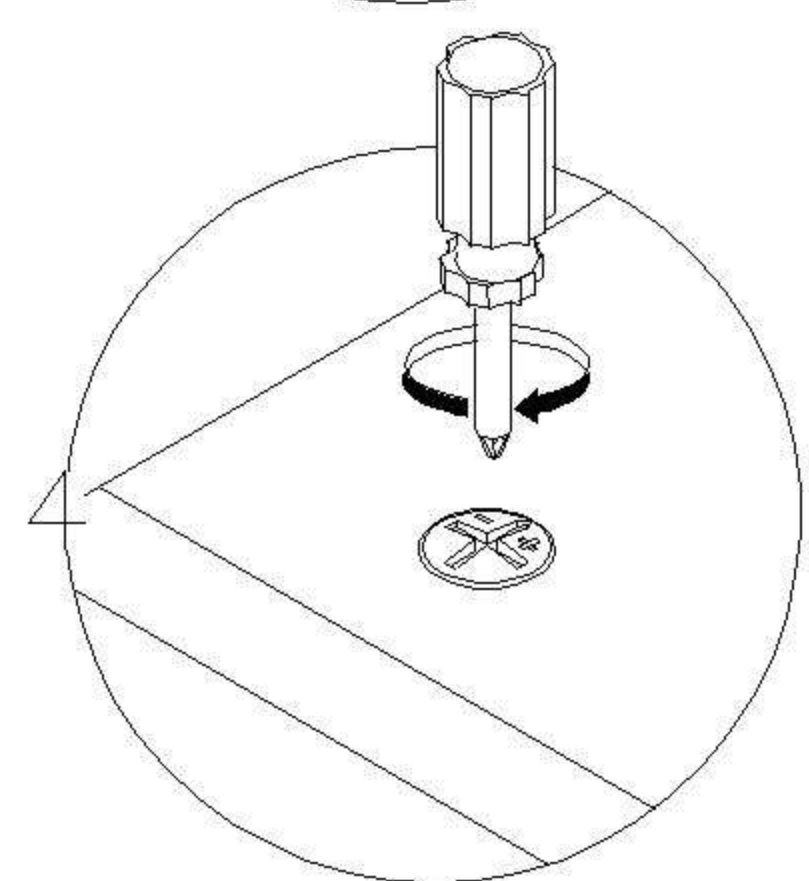
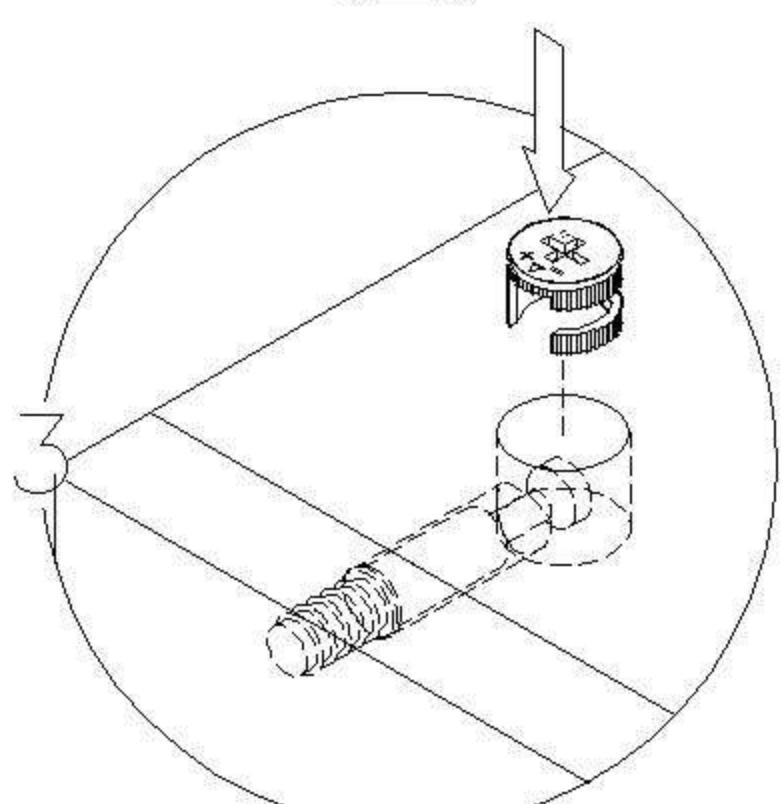
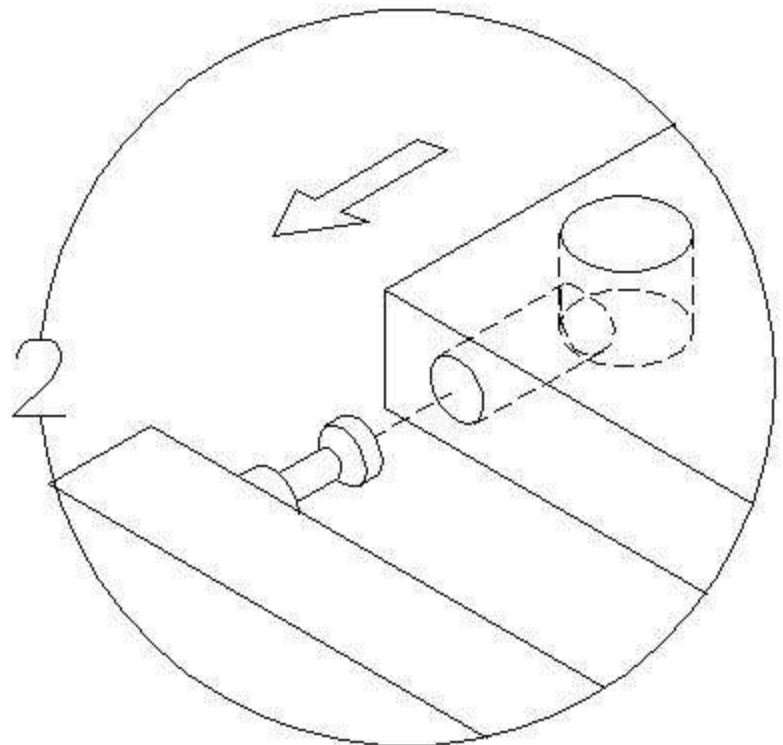
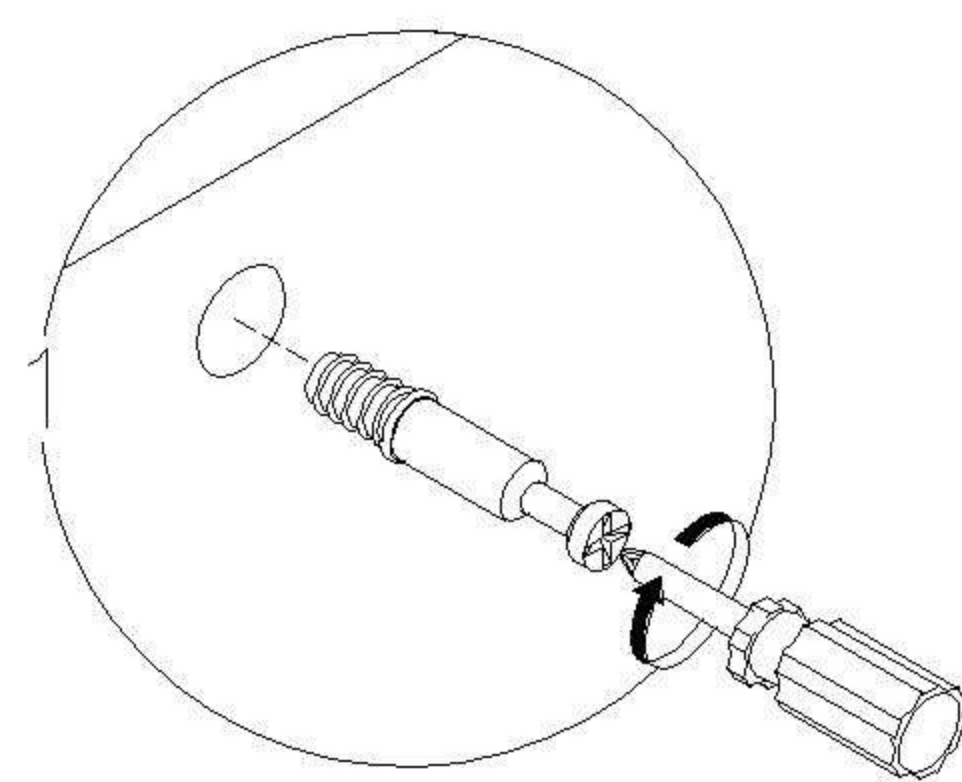
AC1M-A

安装方法

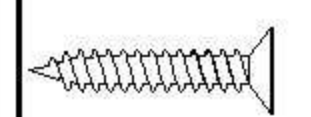
Installation method



塑料螺母
Plastic Nut



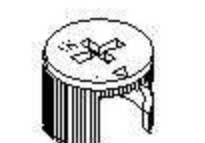
小二合一/two-in-one



(C)*4



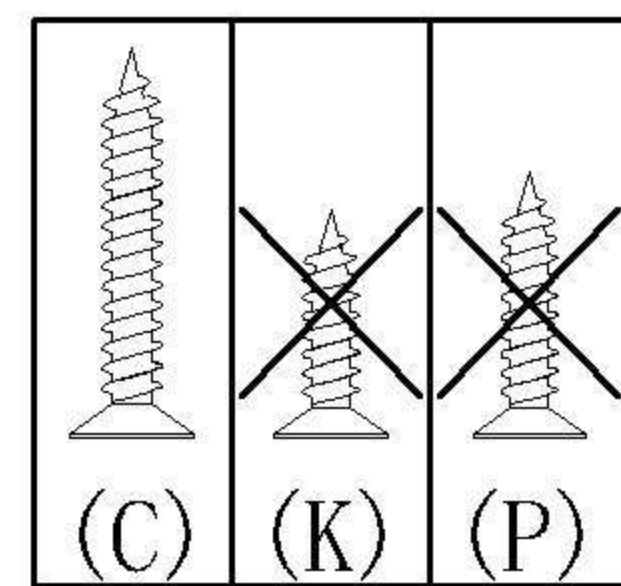
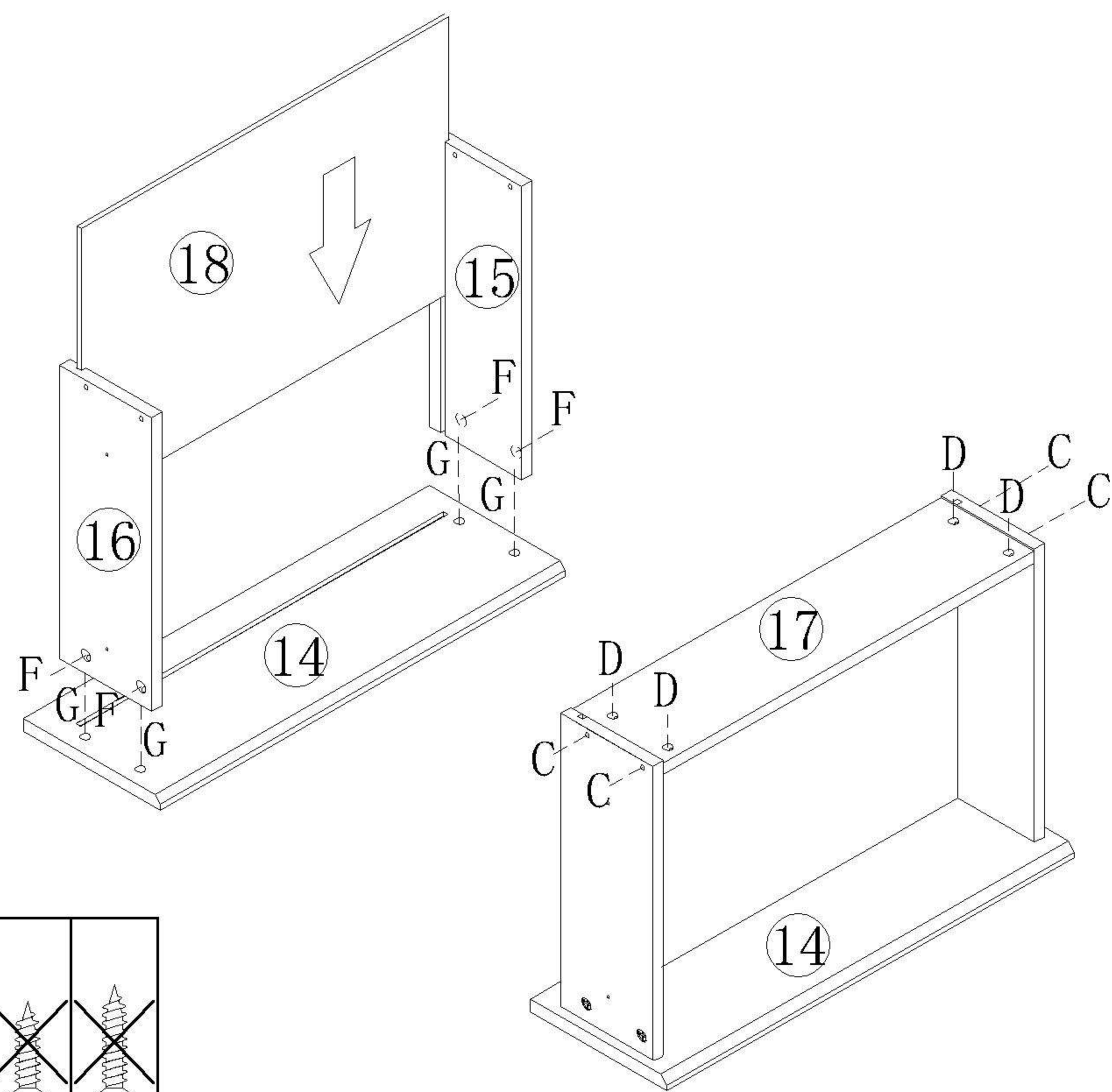
(D)*4



(F)*4



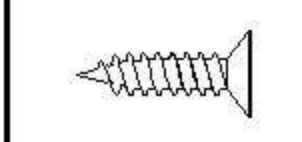
(G)*4



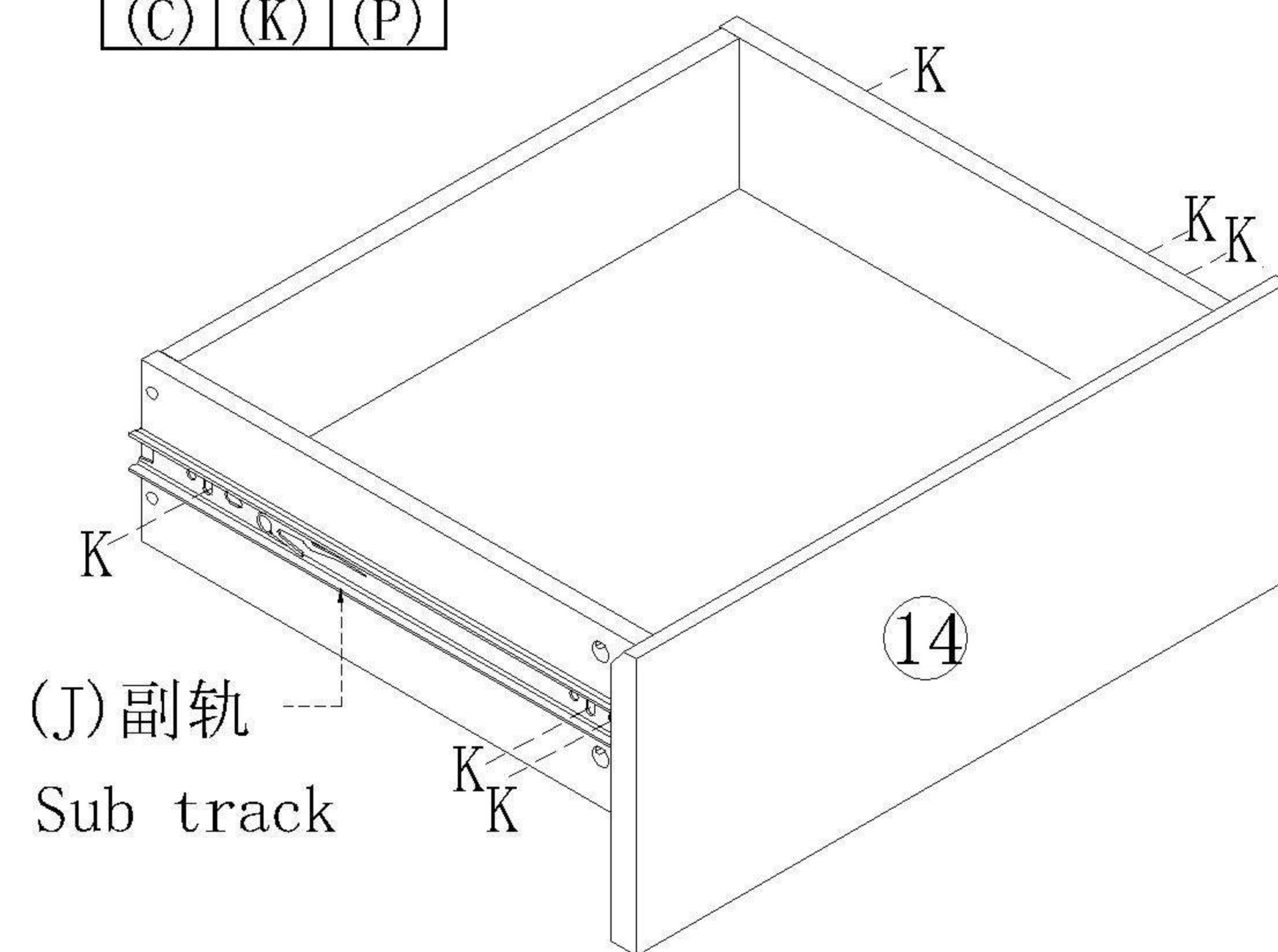
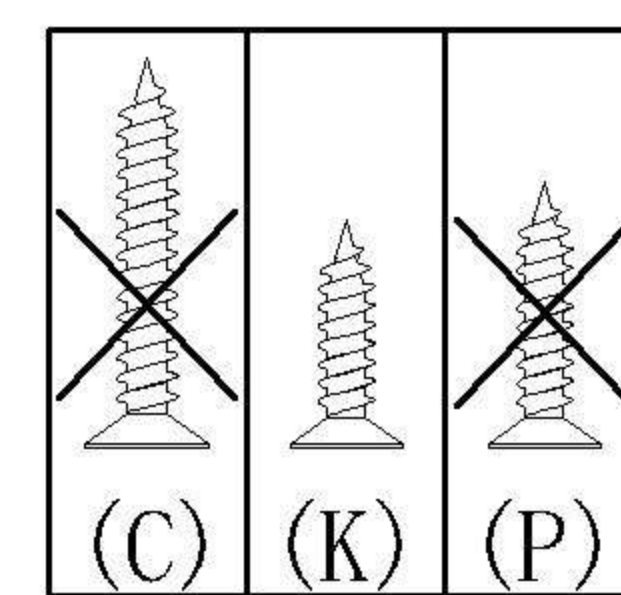
1



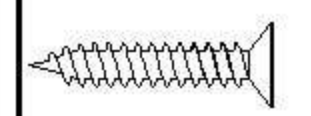
(J)*1



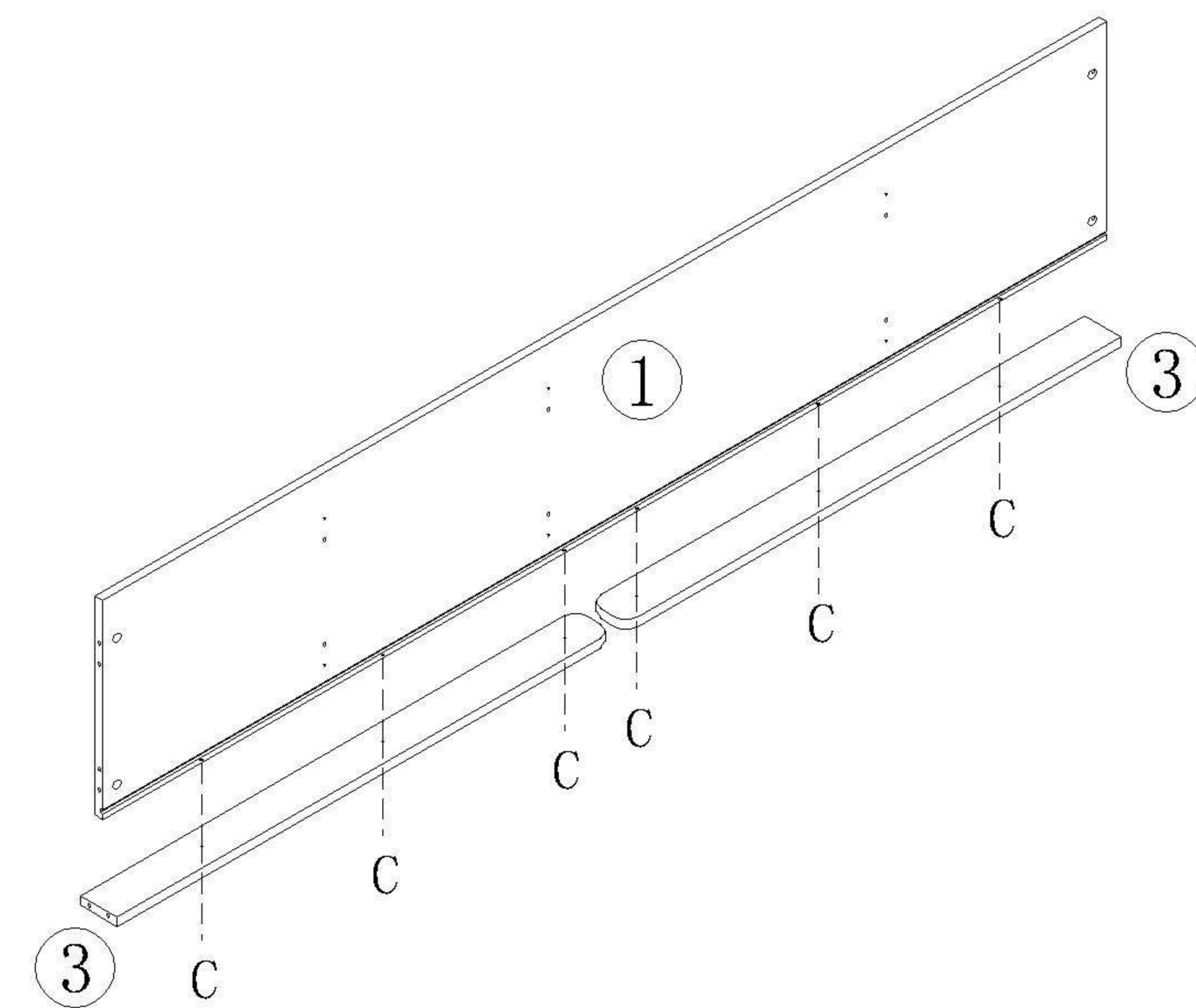
(K)*6



2



(C)*6



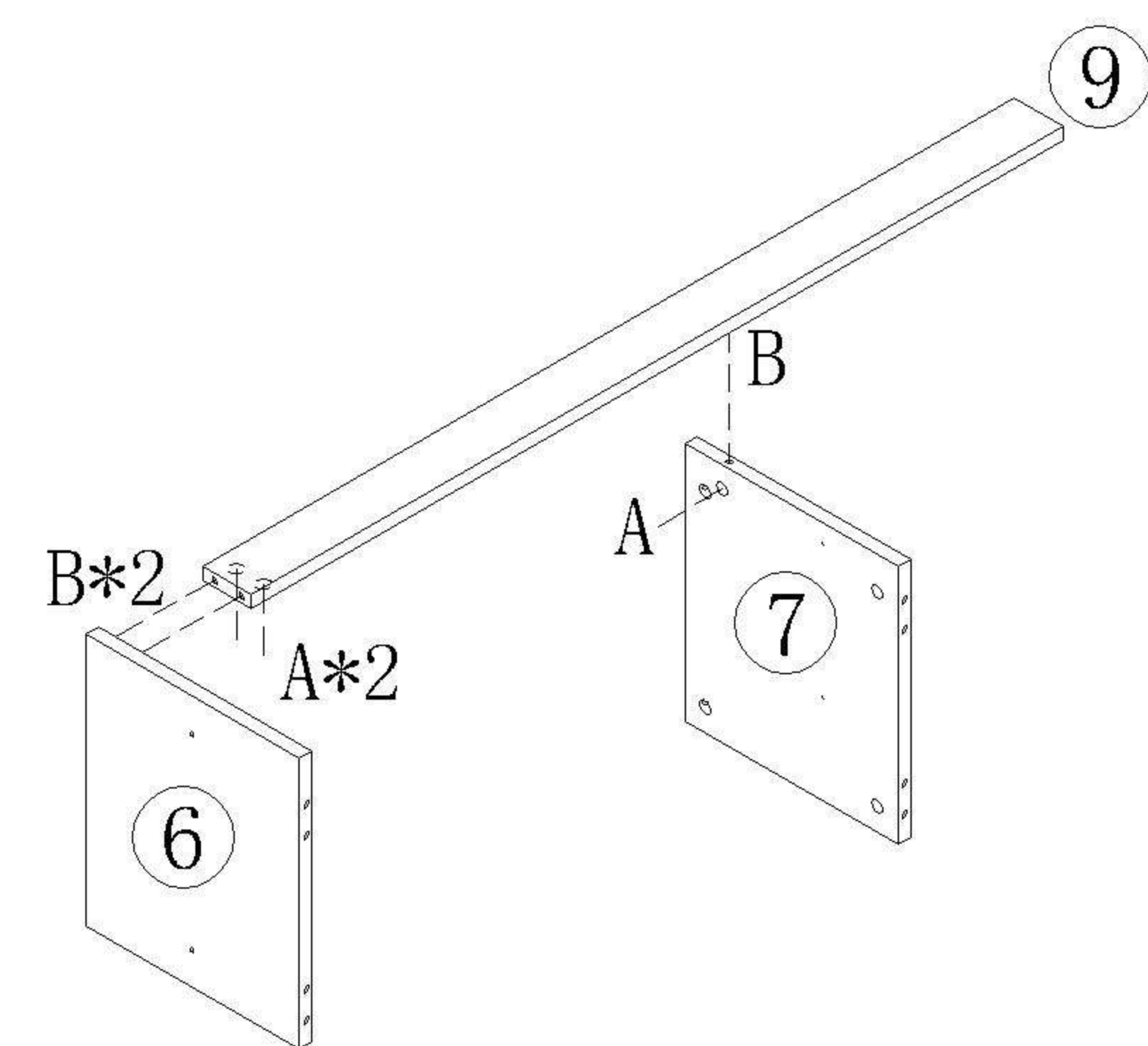
3



(A)*3



(B)*3

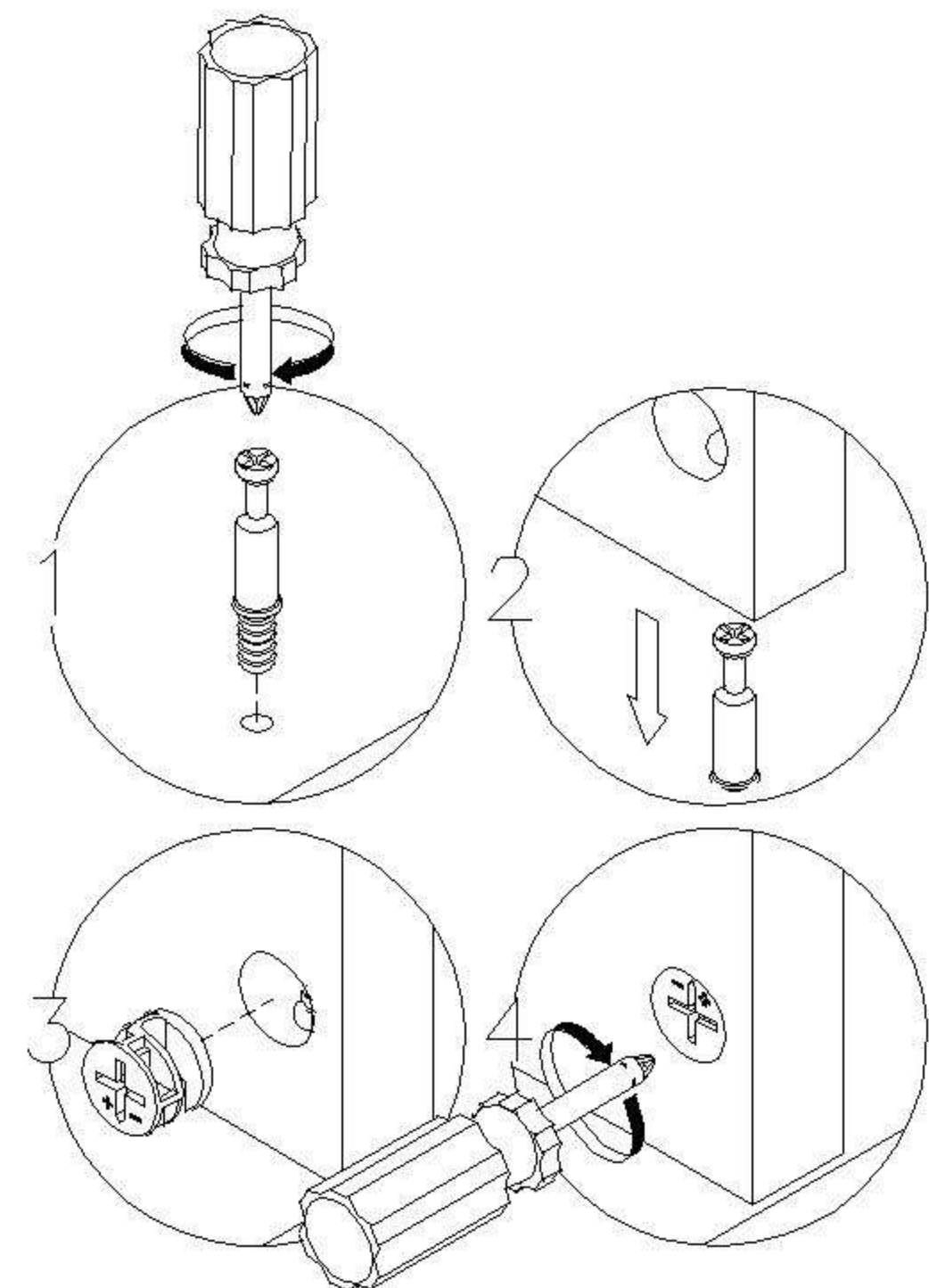


4

AC1M-A

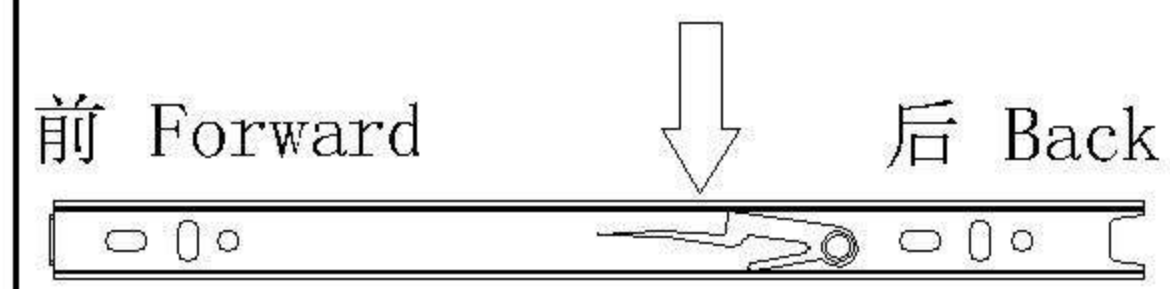
安装方法

Installation method

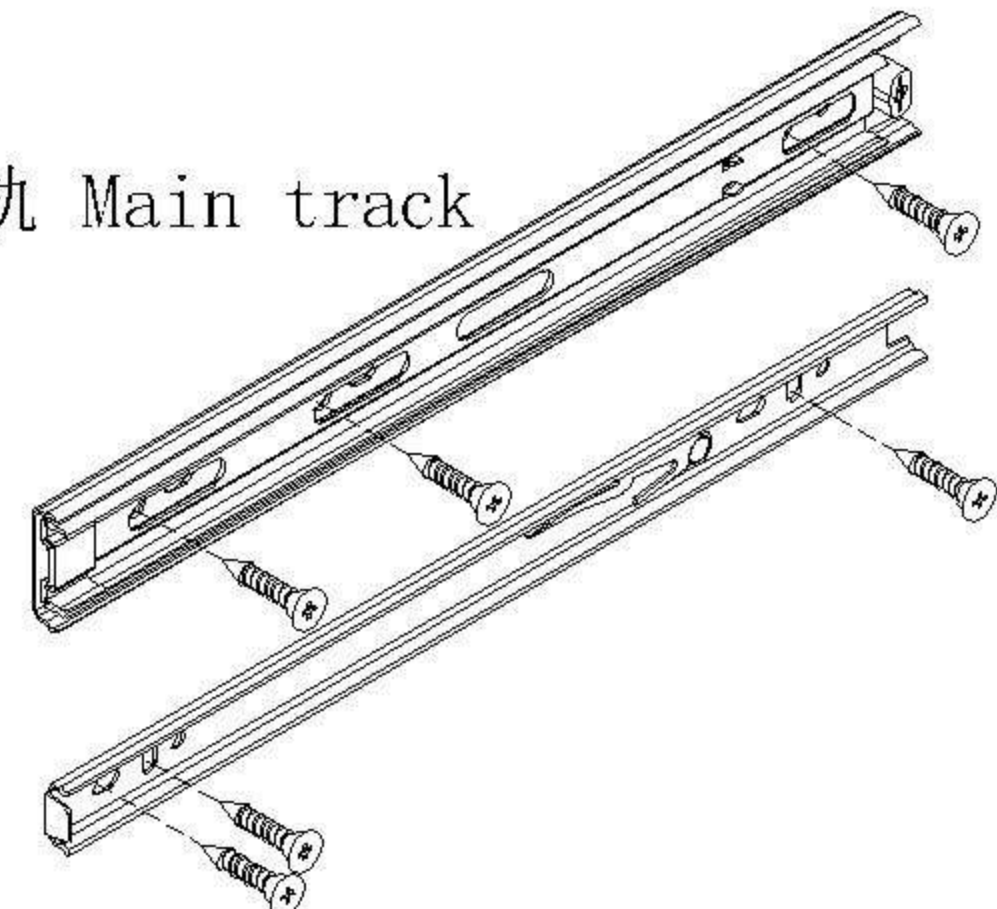


二合一
two-in-one

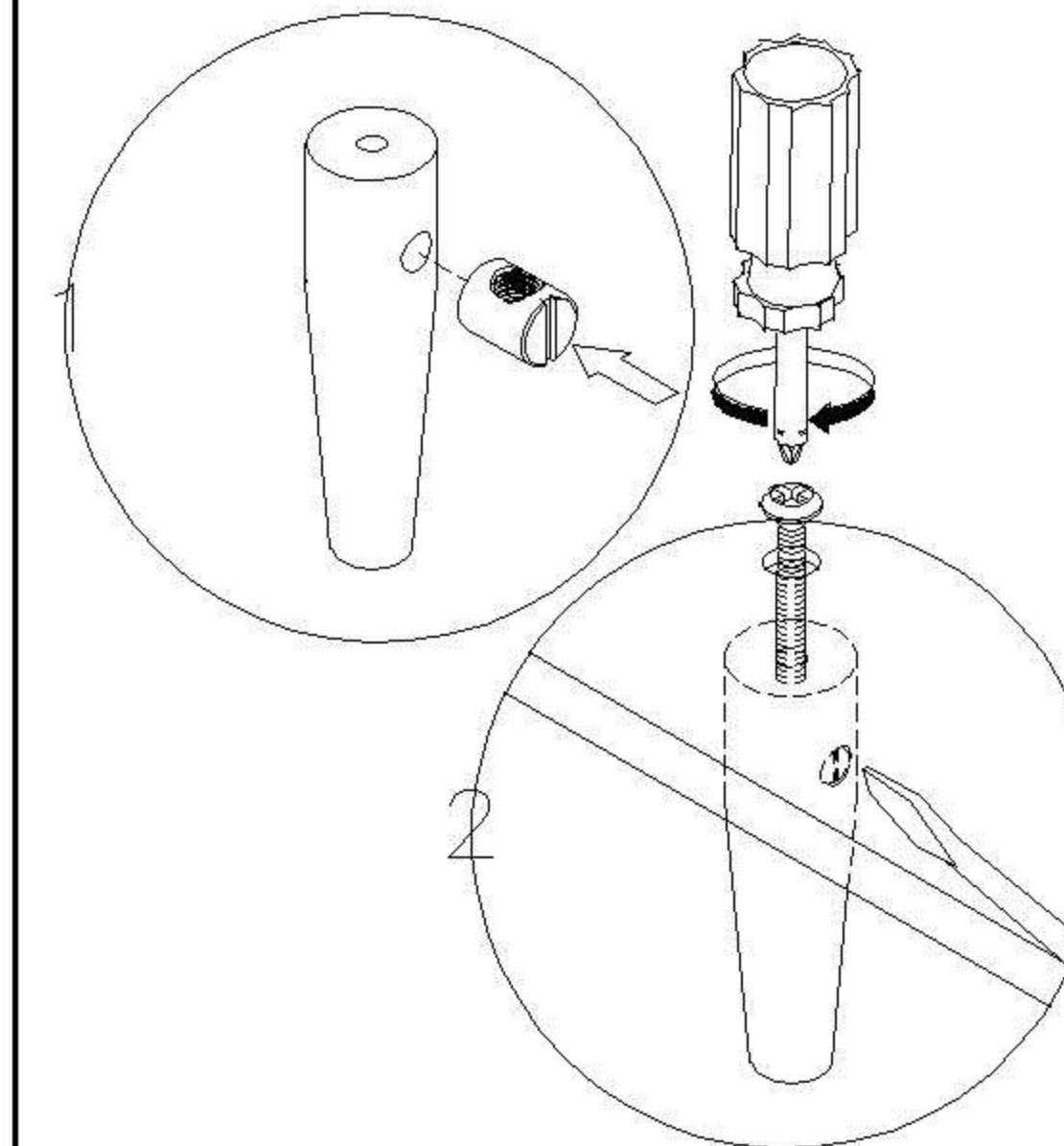
阀门开关(下压为开)
Valve switch (press down to open)



主轨 Main track

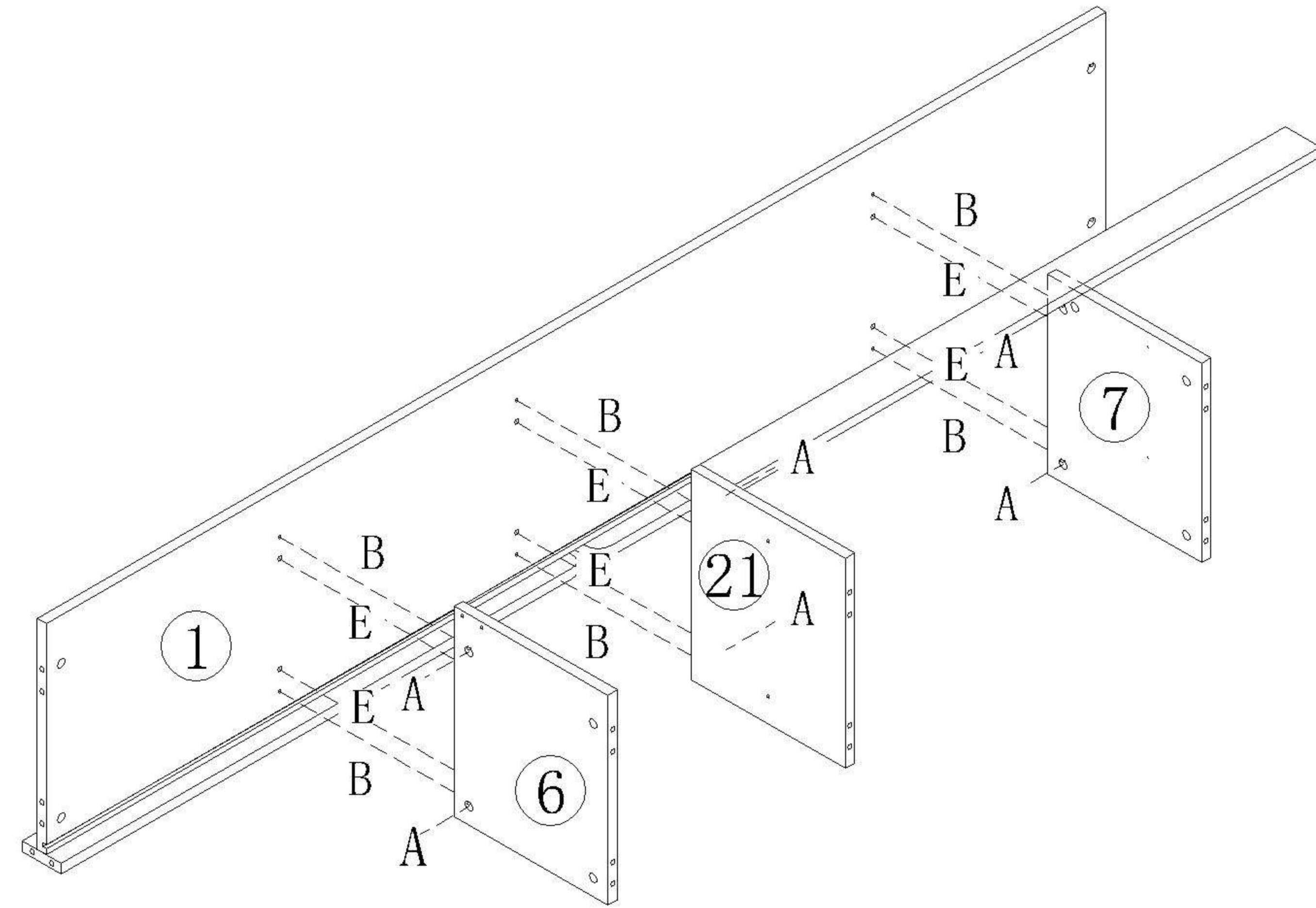


三节滚珠导轨
Three-section rail



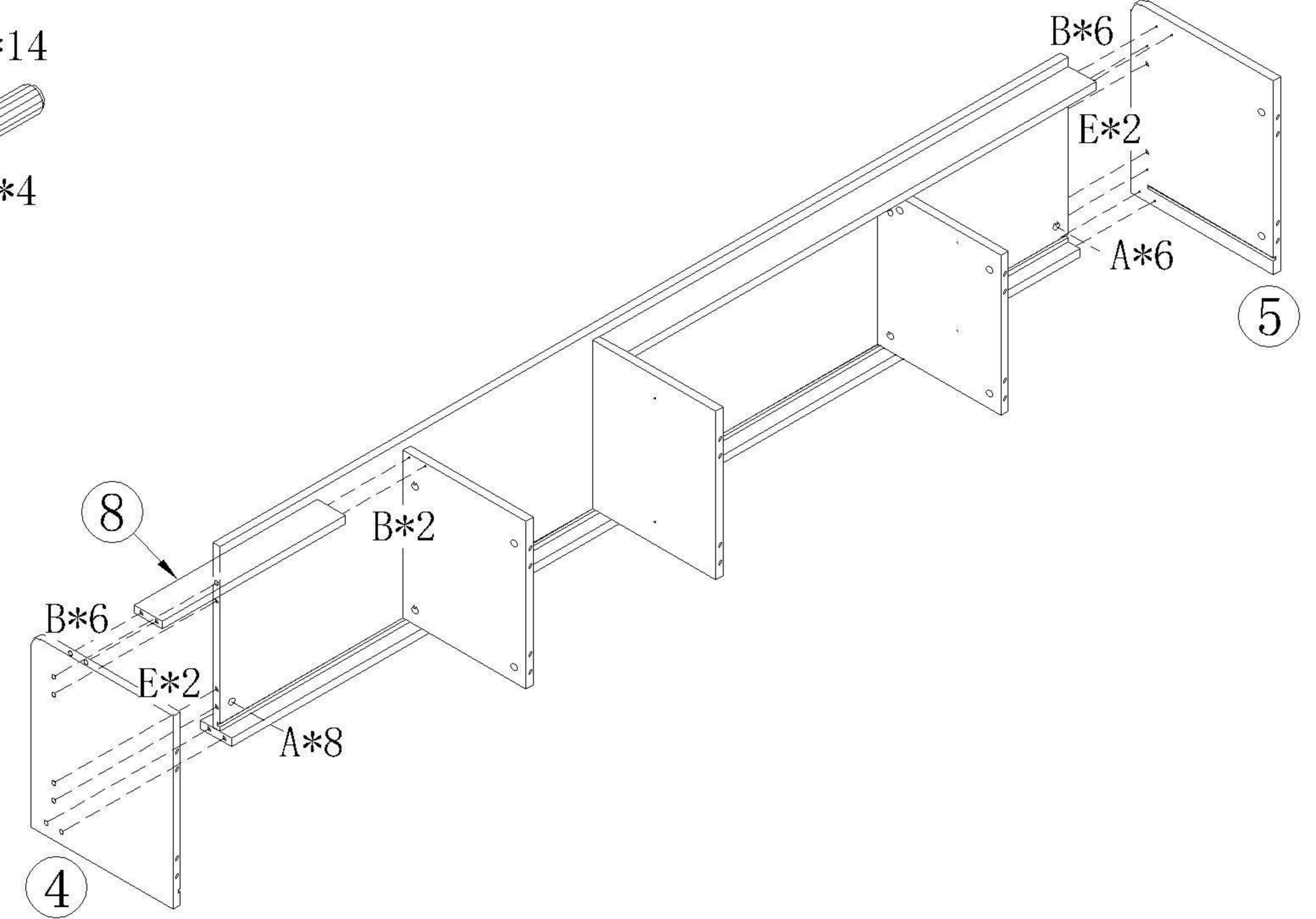
锤母
Hammer nut

- (A) *6
- (B) *6
- (E) *6



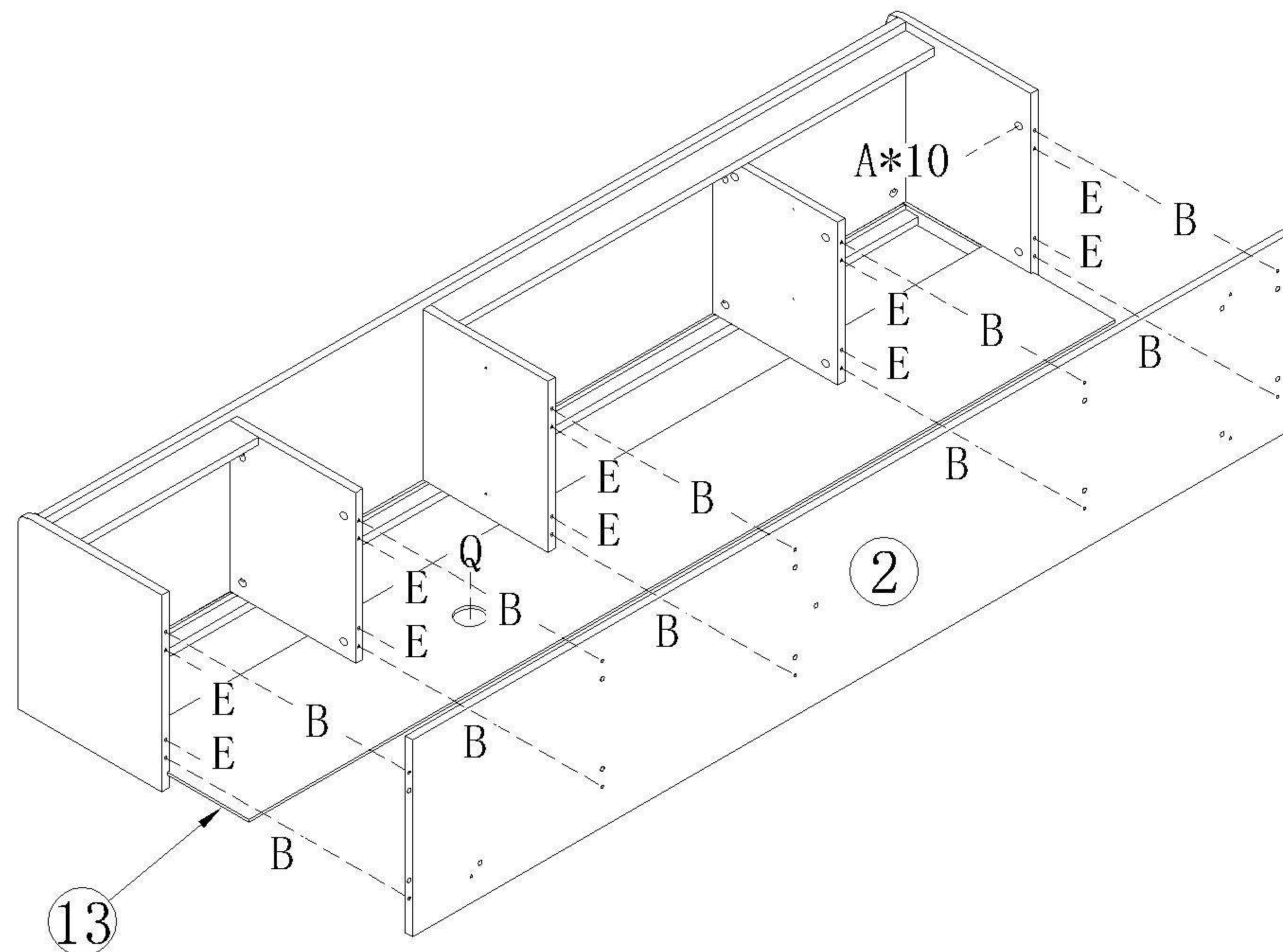
5

- (A) *14
- (B) *14
- (E) *4



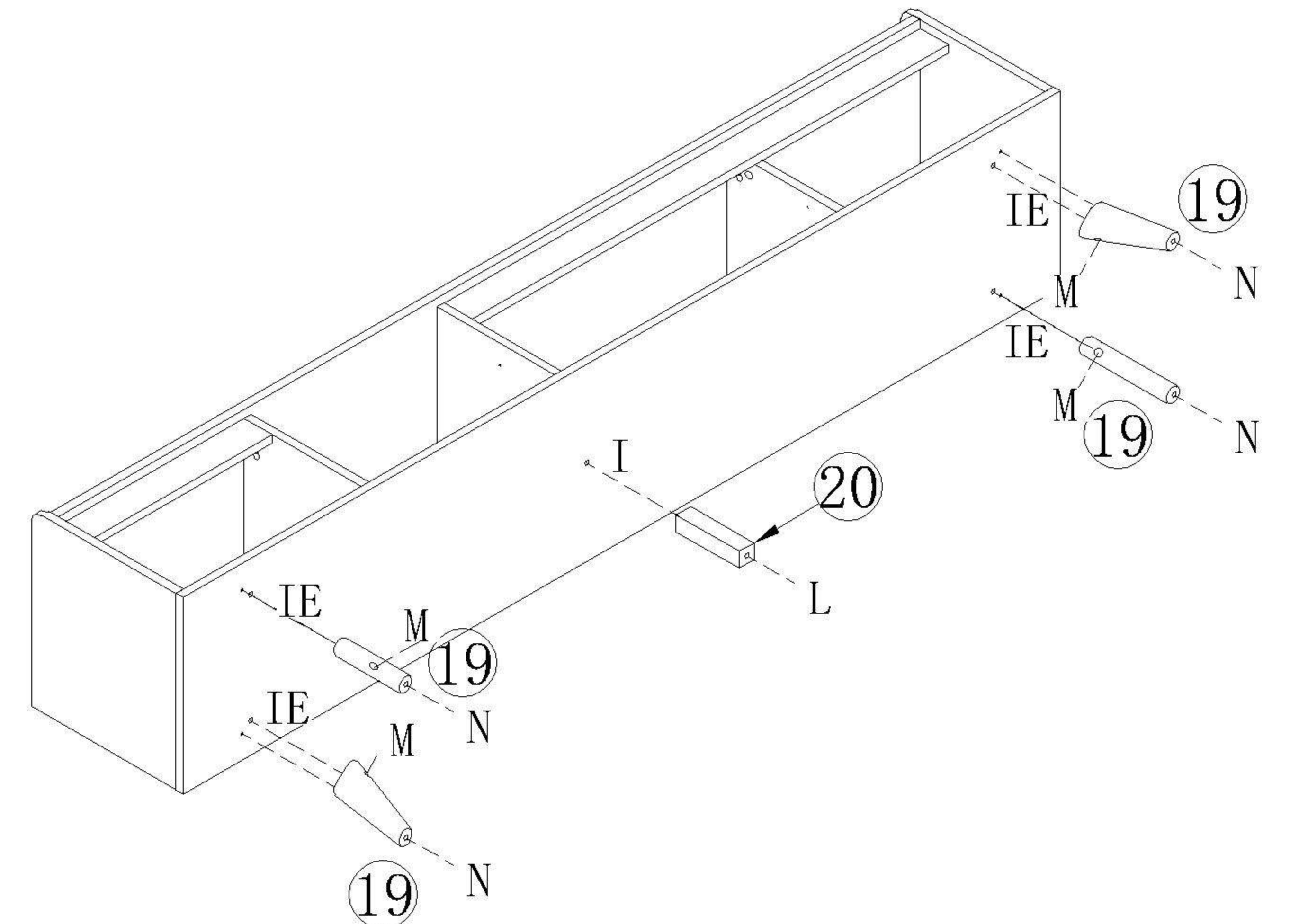
6

- (A) *10
- (B) *10
- (E) *10
- (Q) *1



7

- (I) *5
- (L) *1
- (M) *4
- (N) *4
- (E) *4

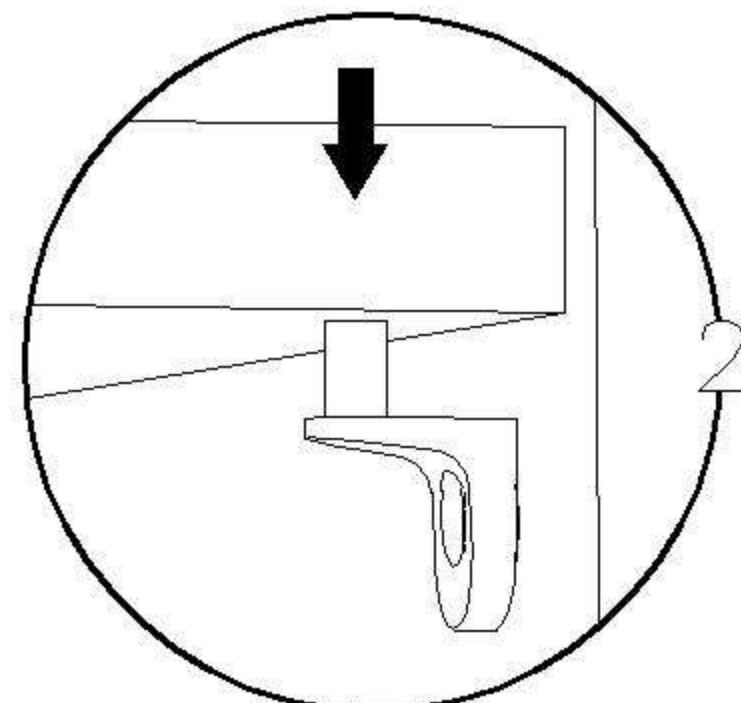
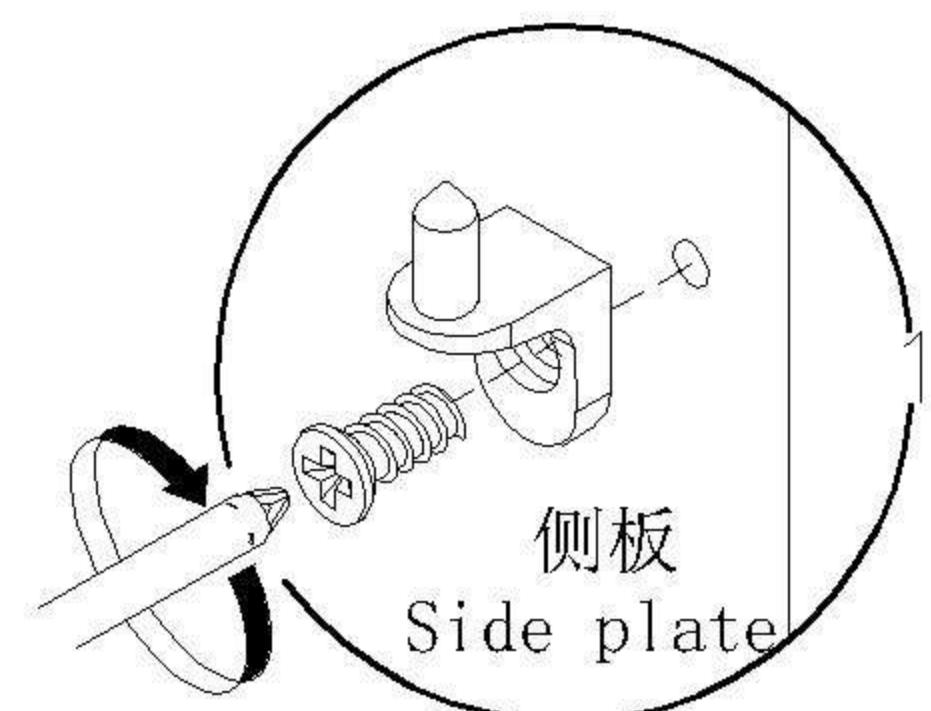


8

AC1M-A

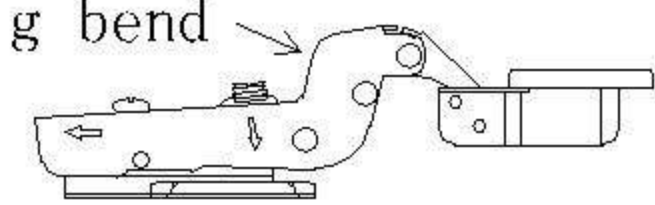
安装方法

Installation method

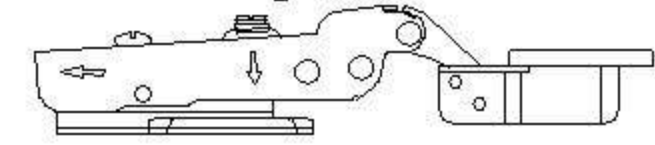


层板托5mm
shelf support

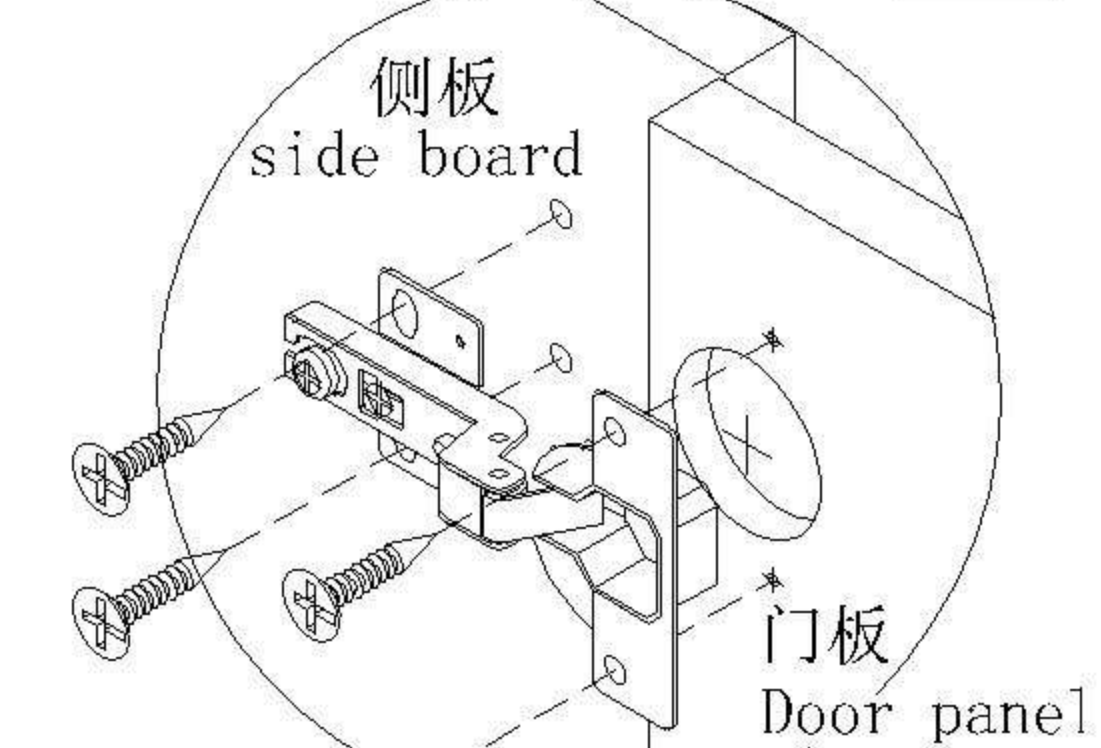
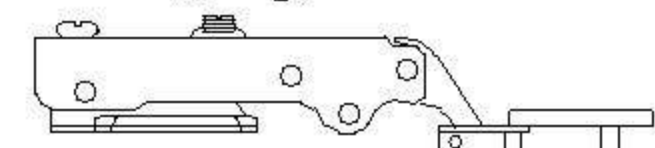
大弯big bend



中弯middle bending



直弯straight bending



调节上下
Adjust up and down

调节左右
Adjust left and right

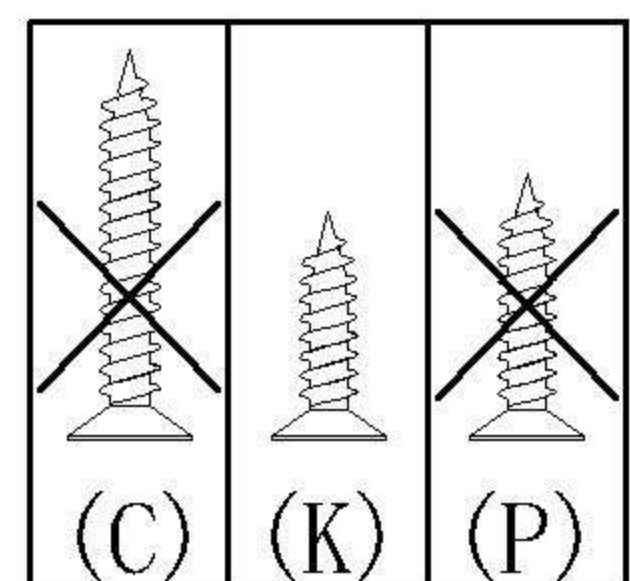
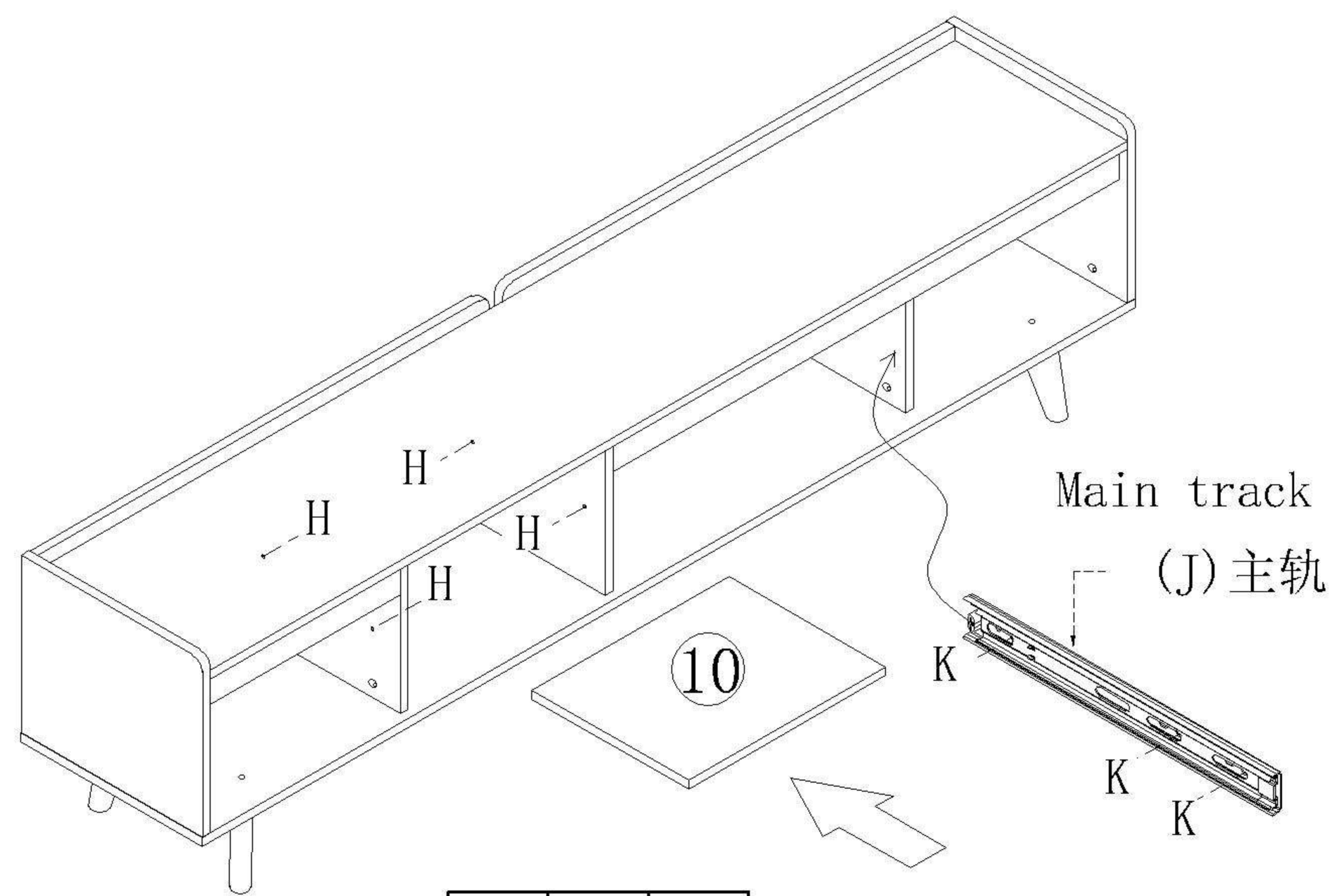
调节前后
Before and after adjustment

门铰Hinge

(H) *4

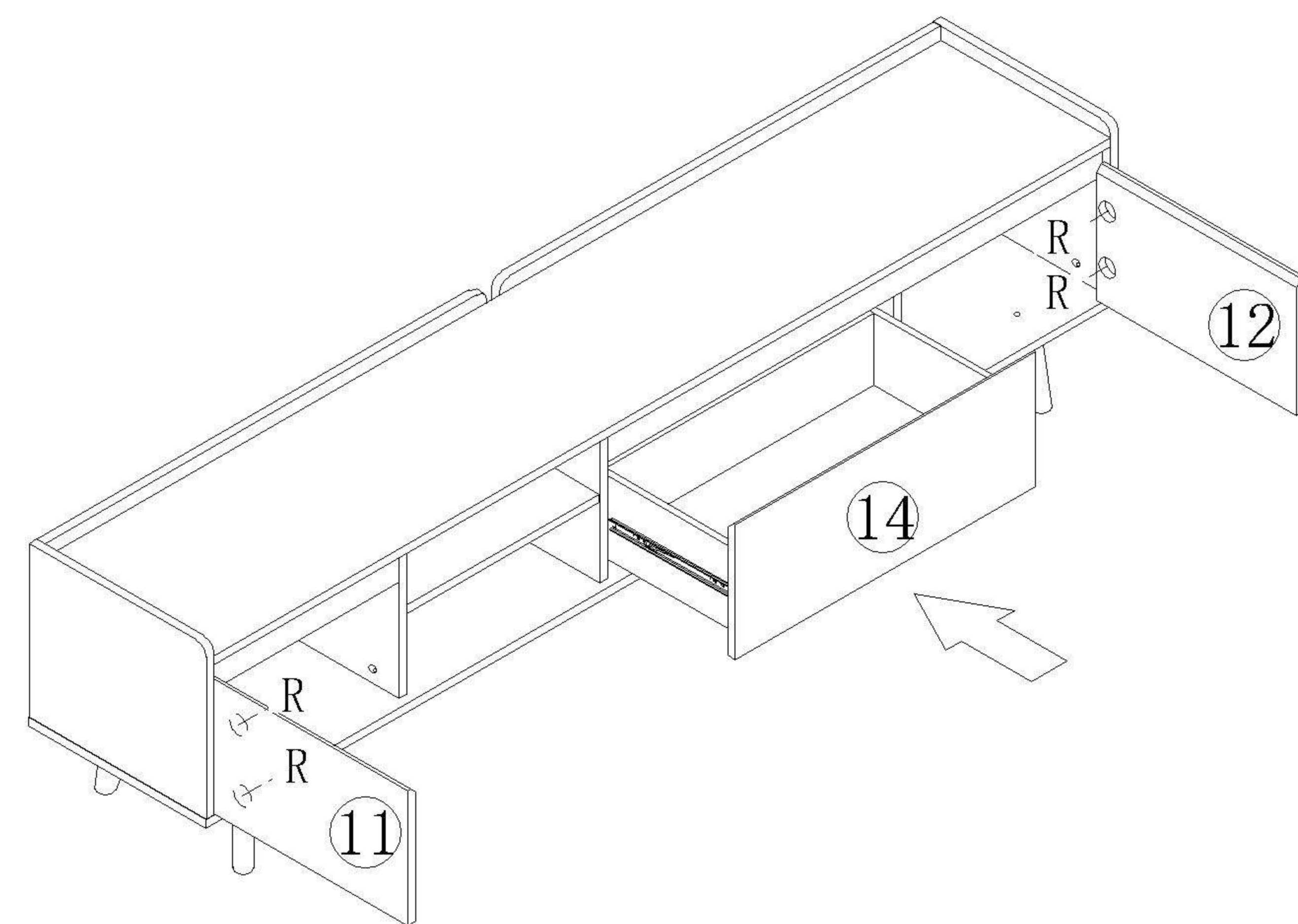
(J) *1

(K) *6



9

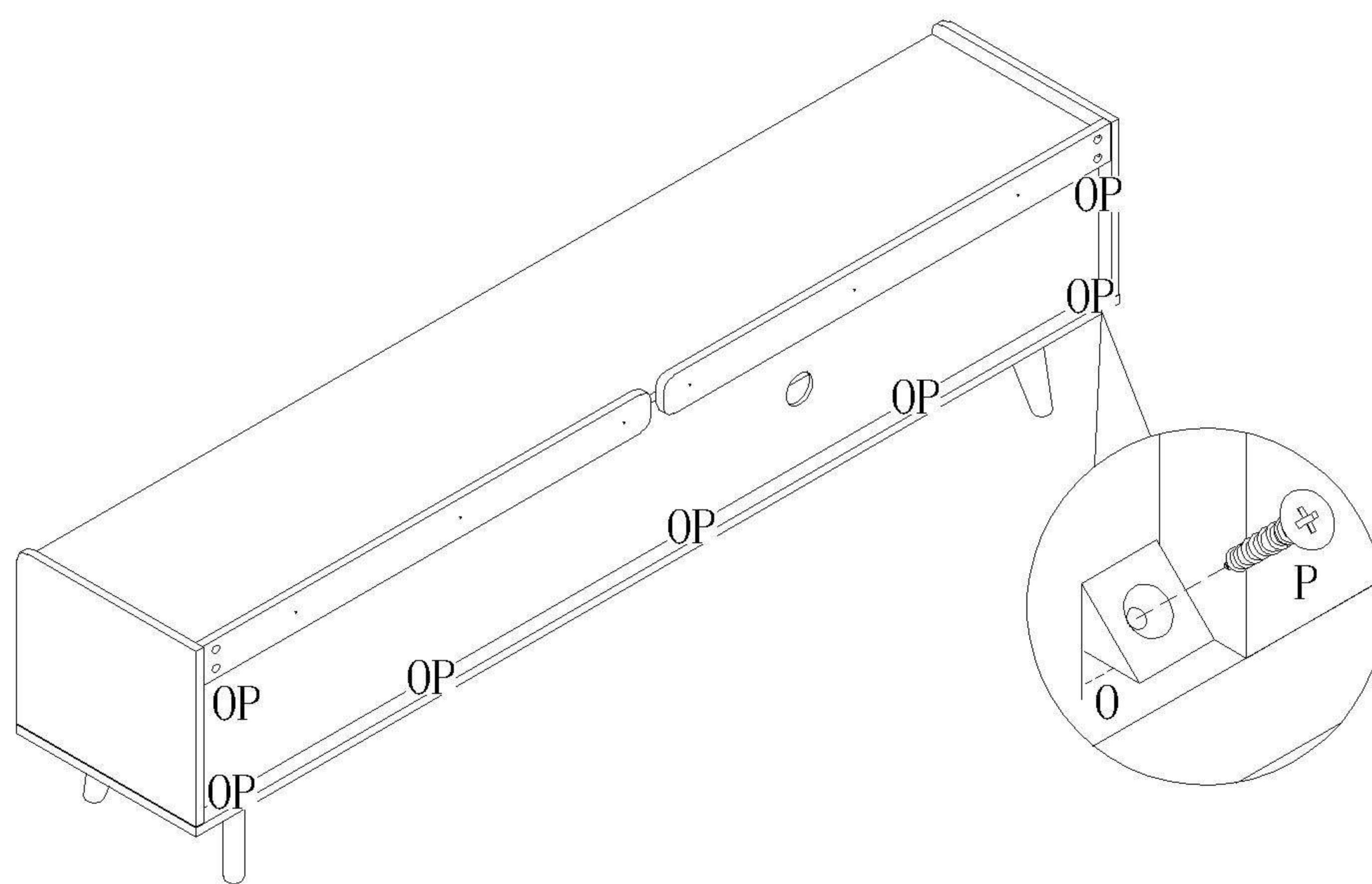
(R) *4



10

(O) *7

(P) *7



11