

# LINSY 林氏家居

安装人数  
Installer



充电式手电钻  
Cordless hand drill

或者  
Or



M5扳手  
M5 wrench

2-1

## 安装示意图/Assembly Instruction

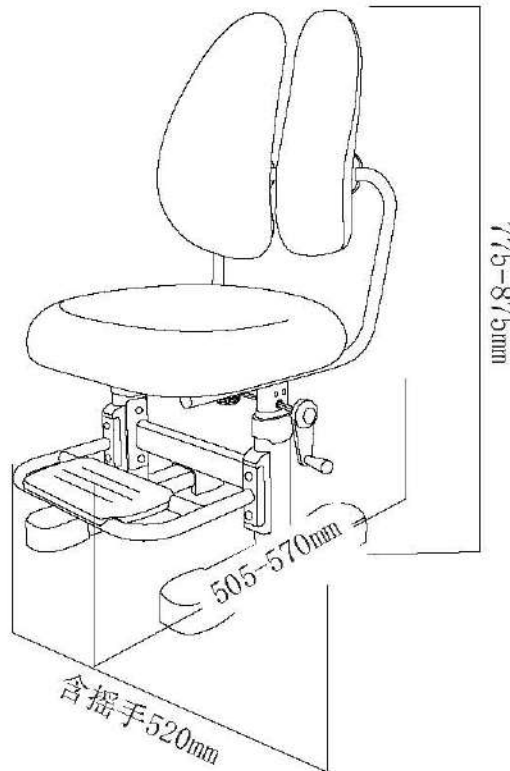
产品名称 Model NO.	学习椅 Learning Chair
产品型号 Product model	LS690W1-C
尺寸规格 Specification	520*(505-570)*(775-875)mm

编号 NO.	名称 Name	规格 Specification	数量 QTY	材质 Material
1	靠背组件 Backrest component	349*370*636	1	布料+塑料+铁 Fabric+Plastic+Iron
2	坐垫 Seat cushion leg assembly	385*410	1	布料+海绵+木皮板 Fabric + Sponge + Wooden veneer board
3	椅腿组件 Chair leg components	440*400* (310-410)	1	塑料+铁 Plastic+Iron

制图 Draw JM01

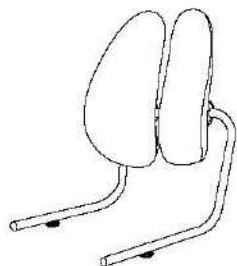
## 配件表 Accessories list

编号 NO.	名称 Name	数量 QTY		
A	椅套 Chair cover	1		
B	摇手柄 Shake the handle	1		
D	胶塞 Rubber stopper	2		
E	M5扳手 M5 wrench	1		



注意！只允许成人安装，儿童勿近！  
Be careful! Adult only, keep away from children!

①



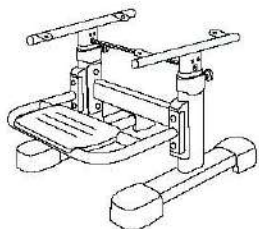
靠背组件×1  
Beckrest component×1

②



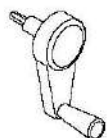
坐垫×1  
Seat cushion×1

③

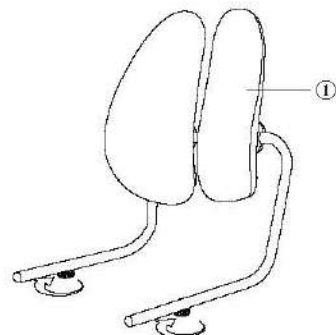


椅腿组件×1  
Chair leg assembly×1

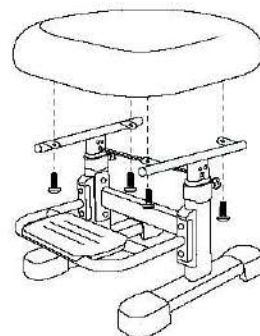
ⓑ



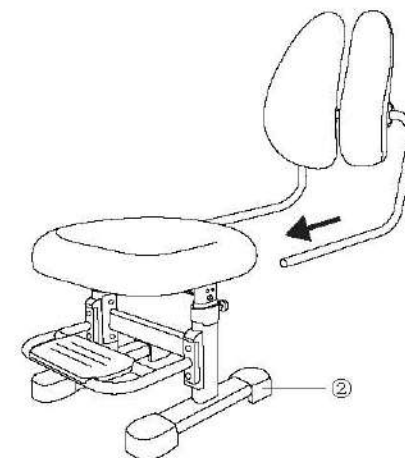
摇手柄×1  
Shake the handle×1



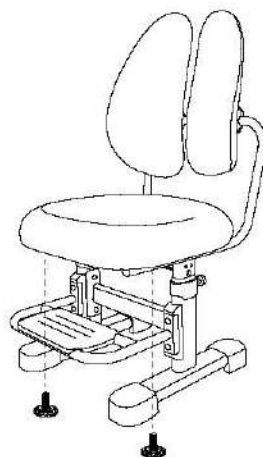
01 将靠背组件上的旋钮和垫片拧下来  
Unscrew the knob and gasket on the  
backrest assembly



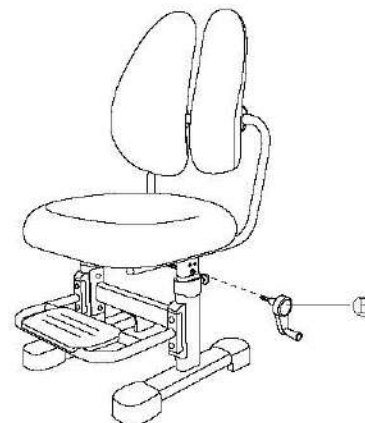
02 将预装在坐垫上的螺丝卸下来,然后将坐垫安装到椅腿组件上  
Remove the screws pre-installed on the seat cushion, then install the seat cushion onto the chair leg assembly.



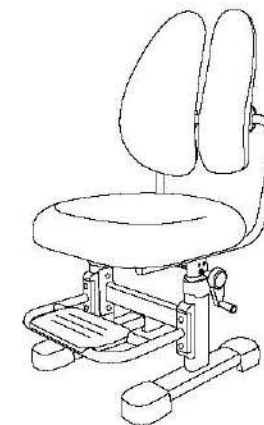
02 将靠背组件安装到步骤2上  
Install the backrest assembly onto step 2



03 将拧下来的旋钮和垫片装回去  
Reinstall the unscrewed knob and gasket



04 将摇手柄安装到椅腿侧面  
Install the rocking handle onto the side of the chair leg



05 最后将椅套套上,将胶塞安装到腿侧面升降调节孔上;如需调节高低,请用摇手柄如图调节,到此已全部安装完毕  
Finally, put on the chair cover and install the rubber plug on the side of the leg for adjustable lifting. On the hole; if you need to adjust the height, please use the shaking handle as shown in the picture to adjust. This has been fully installed