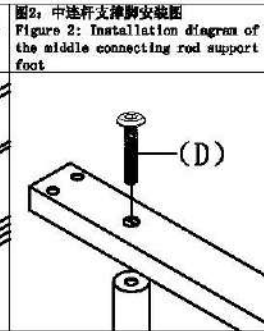
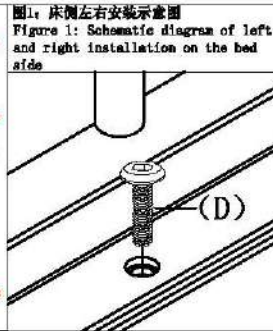


# LINSY 林氏家居

## 安装示意图/Assembly Instruction

产品名称 Model NO.	LH297A1-A/B/C	排骨架规格 Ranked bed slat specifications (800*1950)
产品规格 Specification	1410(1710/2060) *870*950	
尺寸组合 Combined size	1410(1710/2060)*870*950mm	

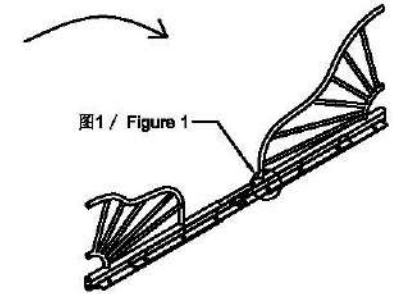
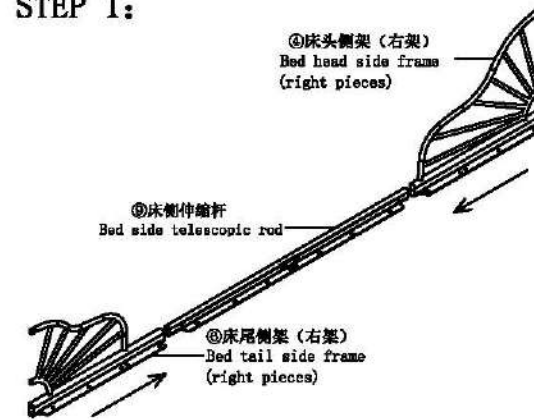


### 配件表/Accessories List

### 部件表/Parts List

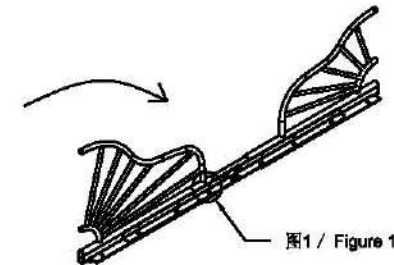
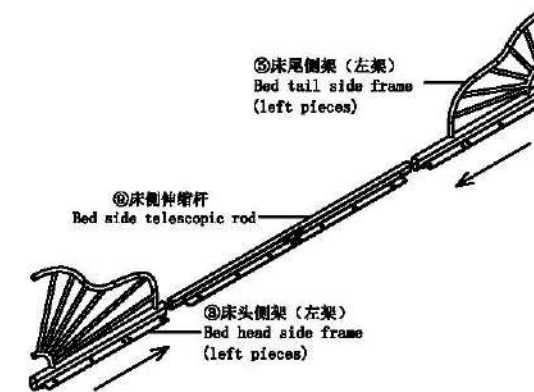
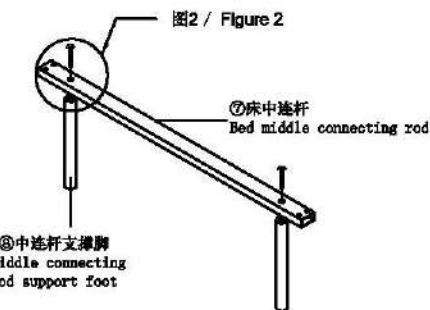
编号 NO.	名称 Name	图示 Icon	数量 QTY	编号 NO.	名称 Name	规格 Specification	数量 QTY	材质 material
A	说明书(含安装图) Mounting instruction (with drawing)		1	①	床头 The head of a bed	870*25*950	1	铁 Iron
B	6厘内六角扳手 6mm internal hexagonal wrench		1	②	床尾 The tail of a bed	870*25*900	1	铁 Iron
C	M8*35 斜边内六角螺栓 M8*35 bevel hexagon bolt		20	③	床头侧架 (左架) Bed head side frame (left pieces)	600*455*60	1	铁 Iron
D	M8*12 斜边内六角螺栓 M8*12 bevel hexagon bolt		18	④	床头侧架 (右架) Bed head side frame (right pieces)	600*455*60	1	铁 Iron
				⑤	床尾侧架 (左架) Bed tail side frame (left pieces)	600*345*60	1	铁 Iron
				⑥	床尾侧架 (右架) Bed tail side frame (right pieces)	600*345*60	1	铁 Iron
				⑦	床中连杆 Bed middle connecting rod	40*20*810	1	铁 Iron
				⑧	中连杆支撑脚 Middle connecting rod support foot	∅25*233	2	铁 Iron
				⑨	床侧伸缩杆 Bed side telescopic rod	55*40*1200	2	铁 Iron
				⑩	排骨架 Ranked bed slat	1950*800*15	1	松木 Wood

### STEP 1:



拉伸到合适位置后锁上螺杆  
Stretch to the appropriate position and lock the screw

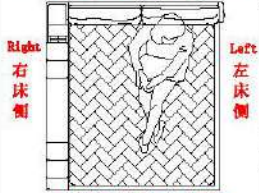
### STEP 2:



拉伸到合适位置后锁上螺杆  
Stretch to the appropriate position and lock the screw

制图 Draw	Page NO. 页码 (2-1)
安装工具 Tool	安装人数 Installer
充电手电钻 或者 内六角扳手 Cordless hand drill Internal hexagonal wrench 	

**如何区分床的左右方向?**  
How to distinguish the left and right directions of the bed?



人躺在床上, 分左右方向  
Lie on the bed, facing left and right  
(图示仅供分辨方向用)

图3: 床中连杆安装示意图

Figure 3: Installation diagram of the middle connecting rod of the bed

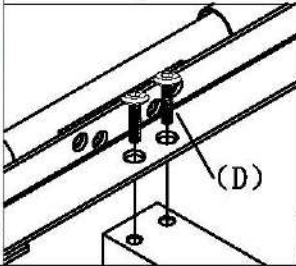


图4: 床头安装示意图

Figure 4: Installation diagram of the head of a bed

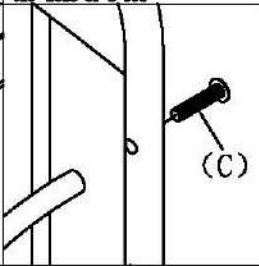


图5: 床尾安装示意图

Figure 5: Installation diagram of the tail of a bed

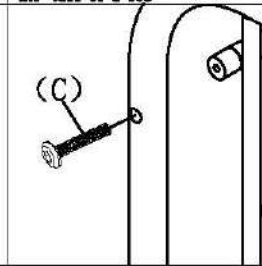
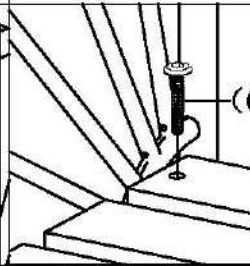


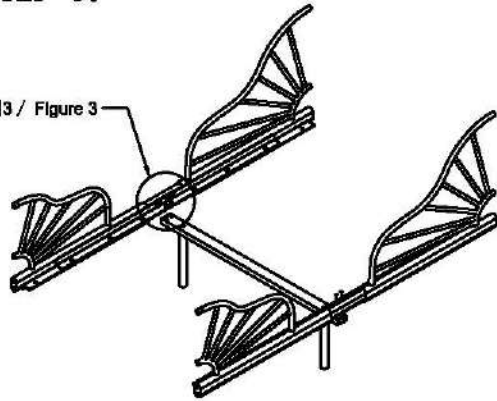
图6: 排骨架安装示意图

Figure 6: Schematic diagram of skeleton installation



**STEP 3:**

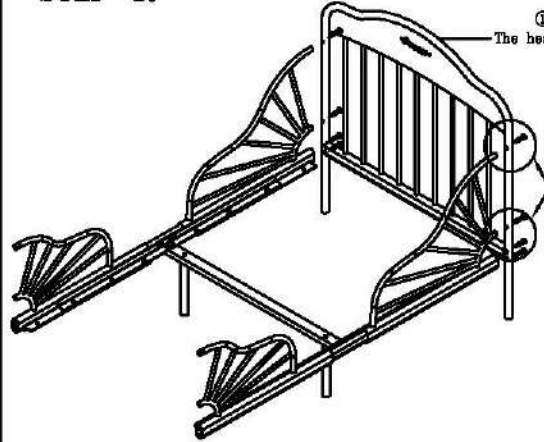
图3 / Figure 3



**STEP 4:**

①床头  
The head of a bed

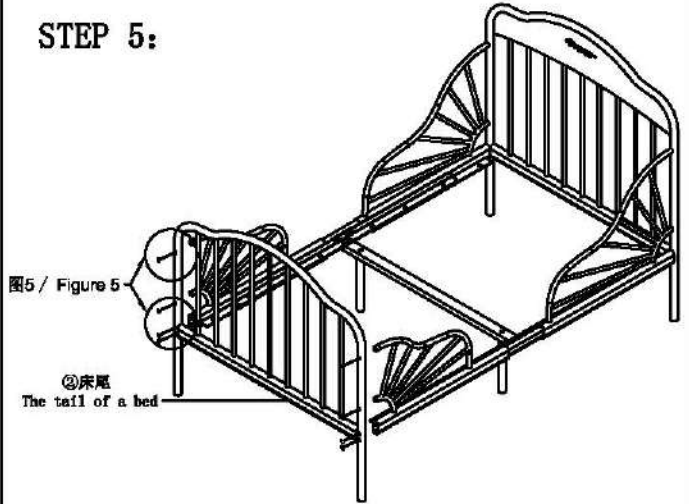
图4 / Figure 4



**STEP 5:**

图5 / Figure 5

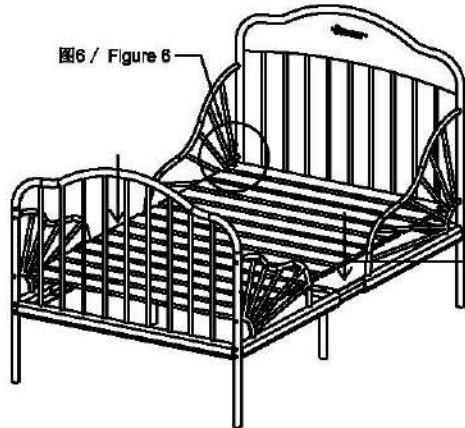
②床尾  
The tail of a bed



**STEP 6:**

图6 / Figure 6

③排骨架  
Ranked bed slat



**STEP 7:**

床右侧  
The right side of the bed

床左侧  
The left side of the bed

