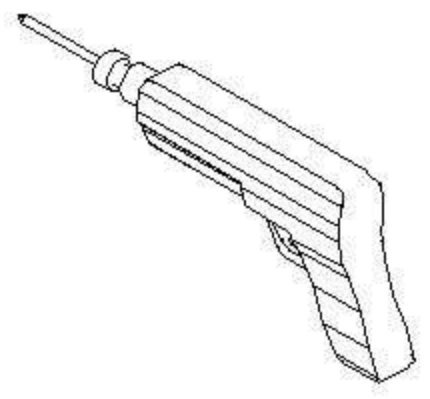

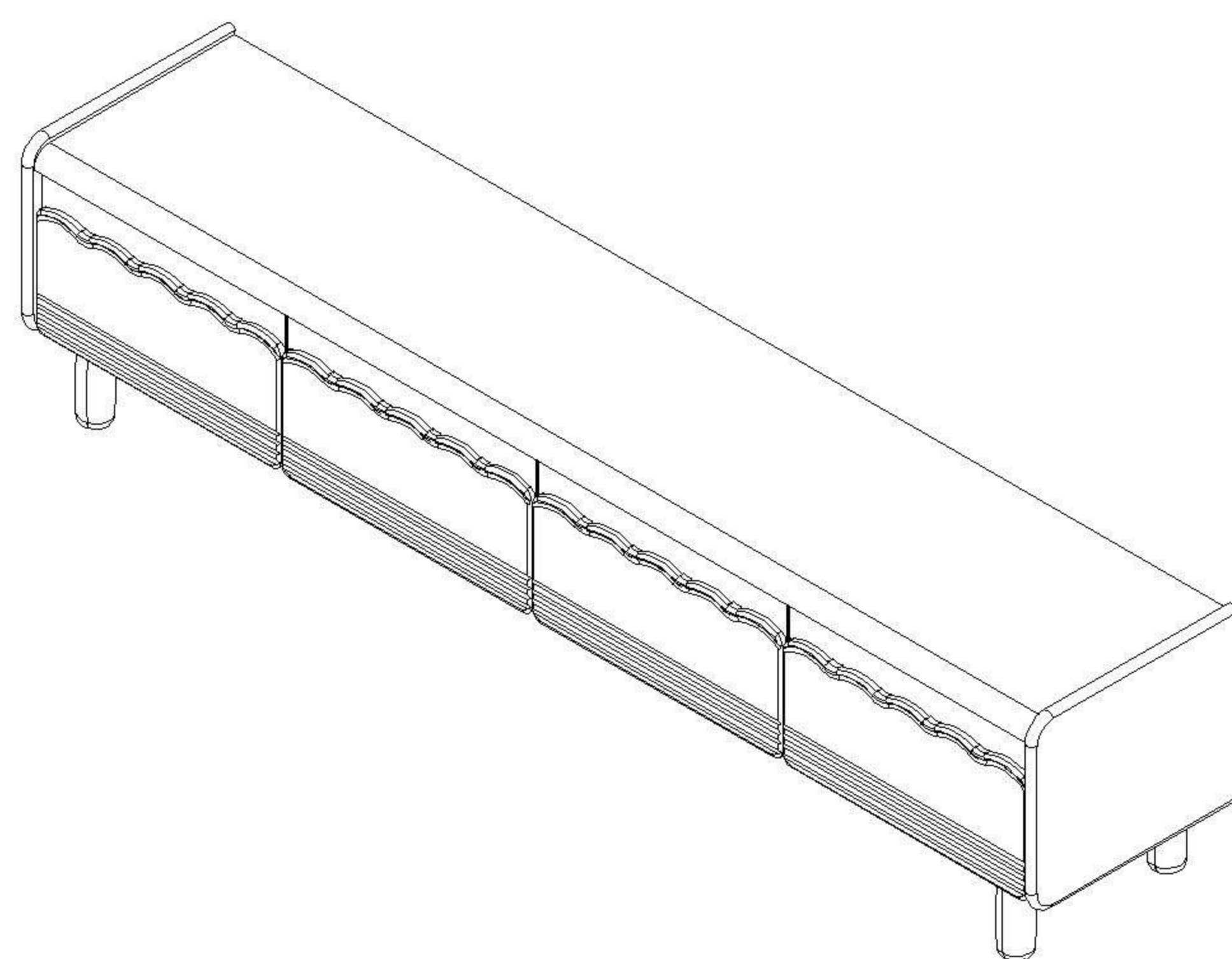


# LINSY 林氏家居

安装示意图/Assembly Instruction	
产品名称/Model NO.	LH220M1-A
产品规格/Specification	1935*395*450
安装工具/Tool	安装人数/Installer
 手电钻 Hand electric drill	

效果图  
Effect picture



## 五金表/Hardware list

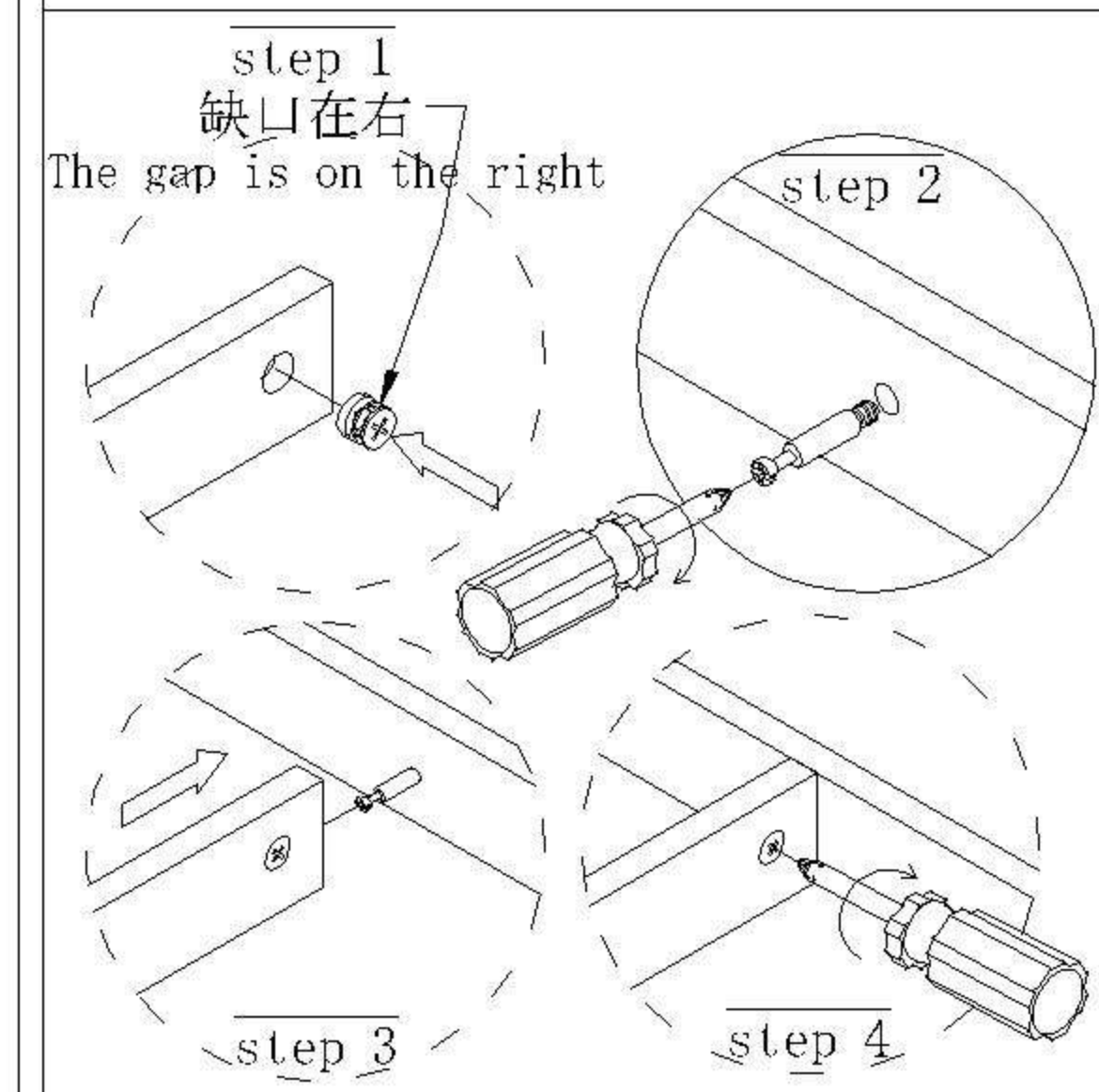
编号 NO.	名称 Name	图示 Graphic	数量 QTY
A	大二合一锁饼 2-in-one large lock		62
B	大二合一螺杆 Big 2-in-1-screw		62
C	木梢M8*40 Cross flat head screw -(M8*40mm)		8
D	十字平头丝杆M8*30mm Cross flat head screw -(M8*30mm)		4
E	自攻钉M3.5*14 Cross flat head screw -(M3.5*14mm)		60
F	调节中脚 Cross flat head screw -(M6*15mm)		1
G	滑轨 course		4
H	透气孔盖 Breathable hole cover		2
I	角码 Corner code		4

## 部件表/Parts List

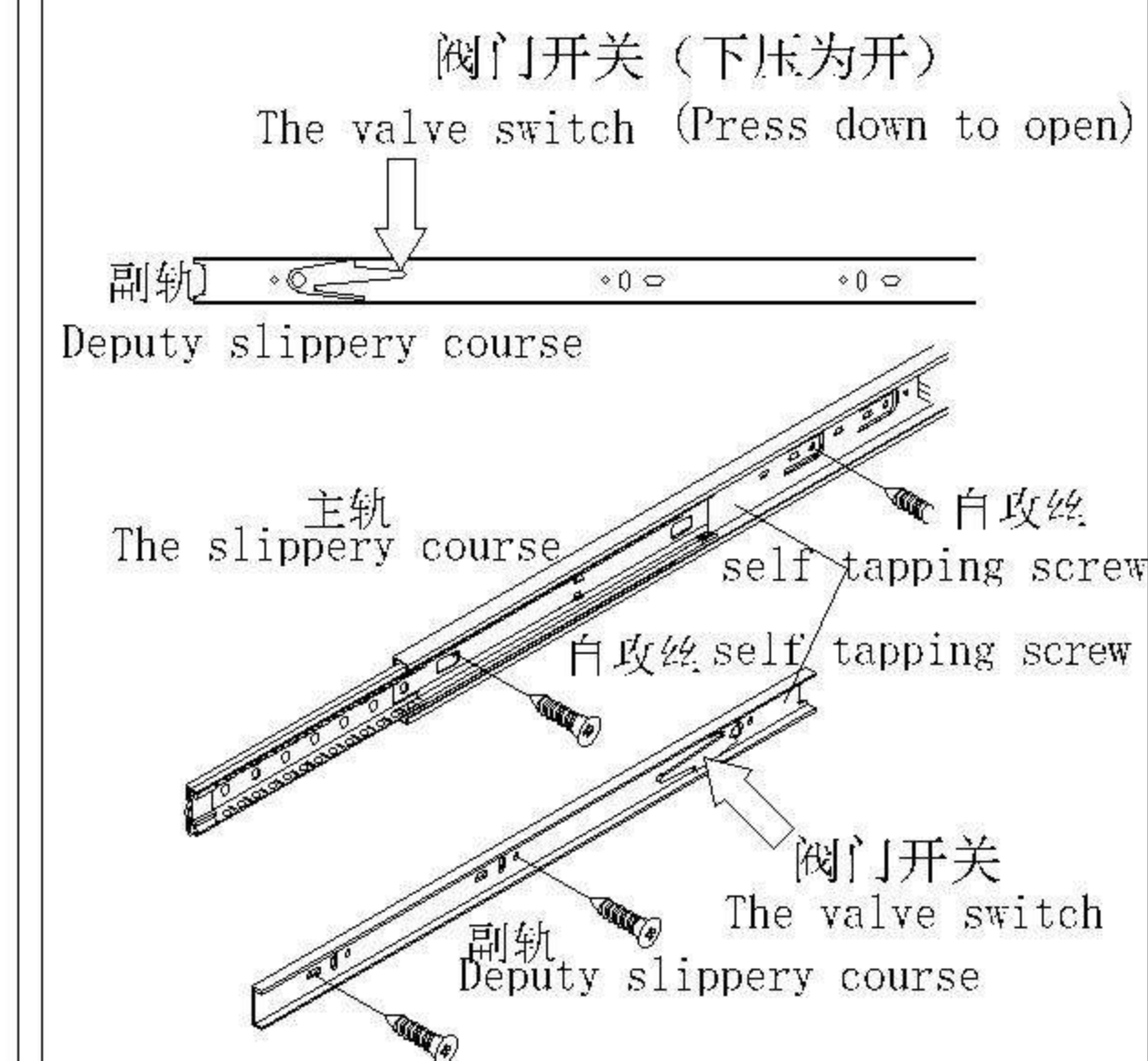
编号 NO.	名称 Name	规格 Specification	数量 QTY	材质 Material
①	面板 panel	1899*385*30	1	中纤板 MDF
②	底板 floor	1899*367*15	1	三胺板 Melamine
③	左侧板 Inner side panel (L)	395*325*18	1	中纤板 MDF
④	右侧板 Inner side panel (R)	395*325*18	1	中纤板 MDF
⑤	背板 Backboard	1673*265*5	1	三胺板 Melamine
⑥	背拉条 Back pull bar	255*118*15	2	三胺板 Melamine
⑦	左抽面Drawer top panel (L)	467*266*18	1	中纤板+PS板 MDF+PS Plates
⑧	右抽面Drawer top panel (R)	467*266*18	1	中纤板+PS板 MDF+PS Plates
⑨	中抽面Drawer top panel (M)	476*266*18	2	中纤板+PS板 MDF+PS Plates
⑩	左抽帮drawer sideboard (L)	300*118*15	4	三胺板 Melamine
⑪	右抽帮drawer sideboard (R)	300*118*15	4	三胺板 Melamine
⑫	抽尾Drawer back panel	408*118*15	4	三胺板 Melamine
⑬	抽底Drawer bottom panel	418*294*5	4	三胺板 Melamine
⑭	脚 foot	∅55*150	4	橡胶木 Rubber wood
⑮	中侧板 Inner side panel (M)	341*255*15	3	三胺板 Melamine

LH220M1-A

安装方法/Installation method

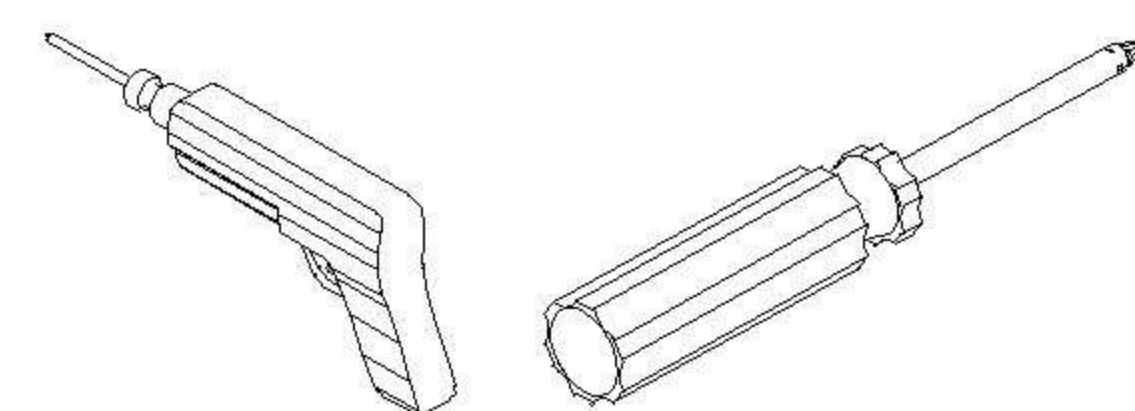


二合一安装方法  
2 in 1 Installation method



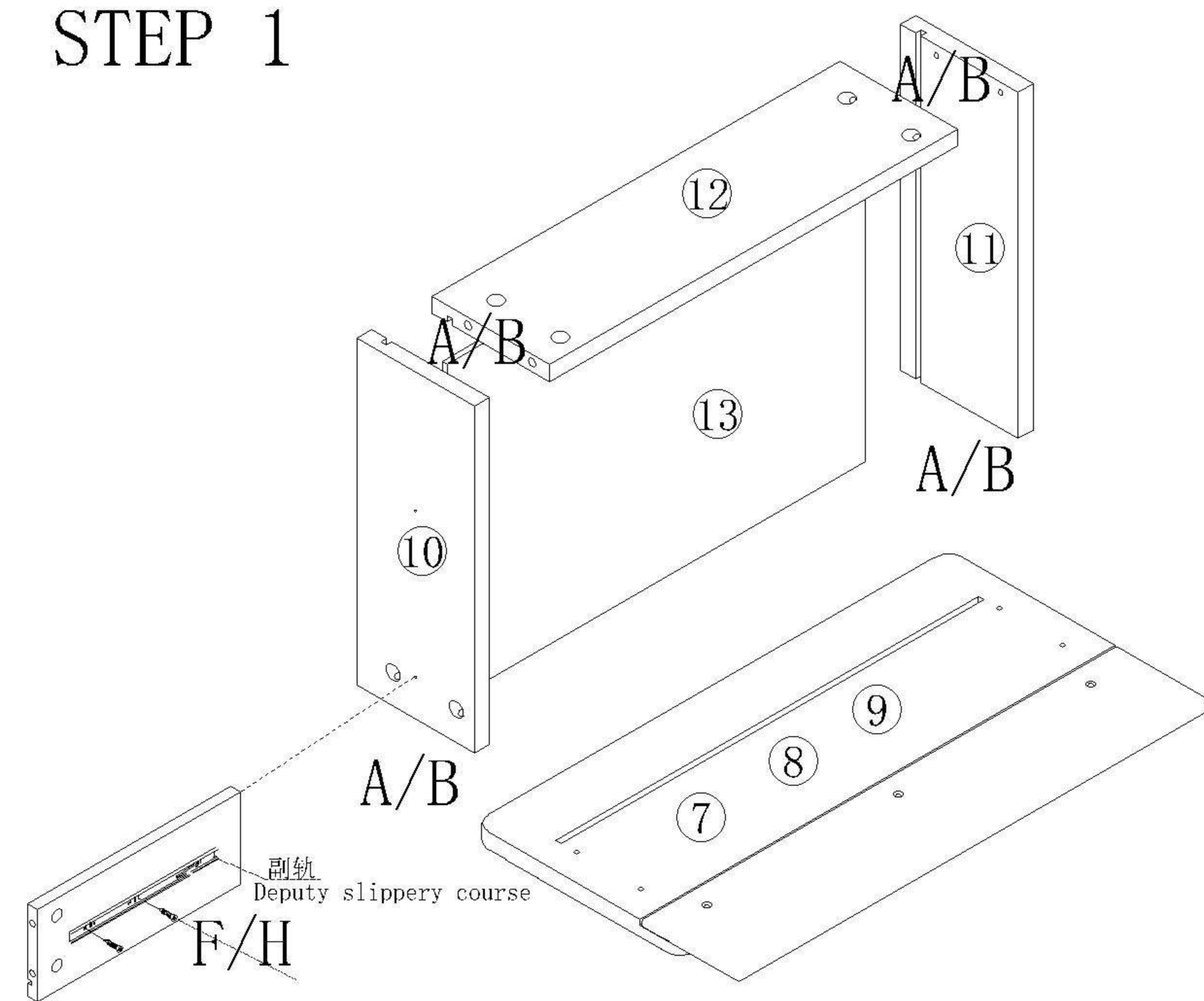
导轨安装方法  
Installation method of slide rails

安装工具/Tool



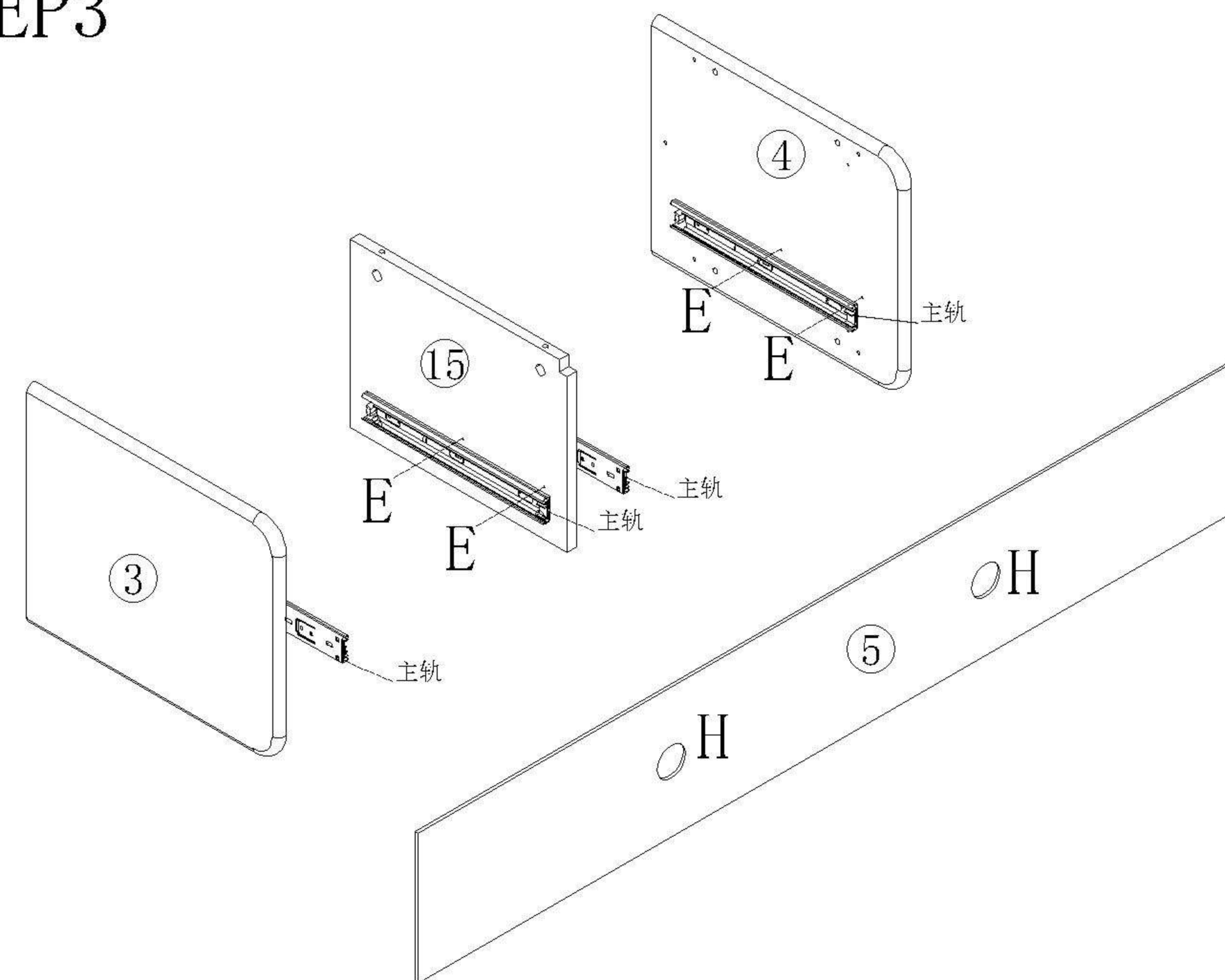
手电钻  
Hand electric drill  
十字螺丝刀  
Phillips screwdriver

### STEP 1



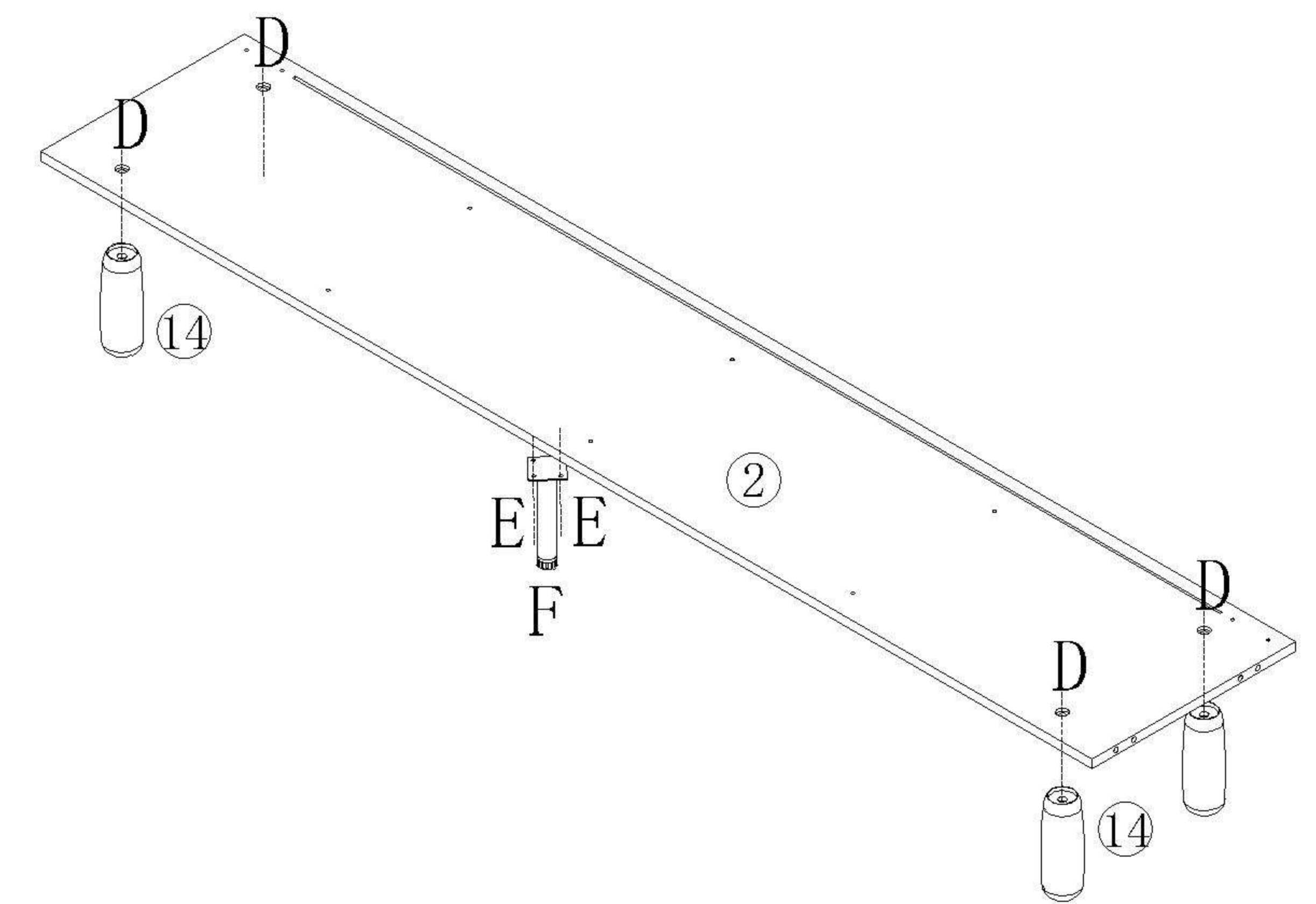
- ▶ 先用五金E将五金G的副轨安装在部件10/11上，再用五金A/B连接部件7-部件13，组成抽屉
- ▶ First, use hardware E to install the auxiliary rail of hardware G on component 10/11, and then connect components 7 to component 13 with hardware A/B to form a drawer

### STEP3



- ▶ 用五金E将五金G的主轨安装在部件3、4和15上，再将五金H和部件5安装
- ▶ Install the main rail of hardware G onto components 3, 4, and 15 using hardware E, and then install hardware H and component 5

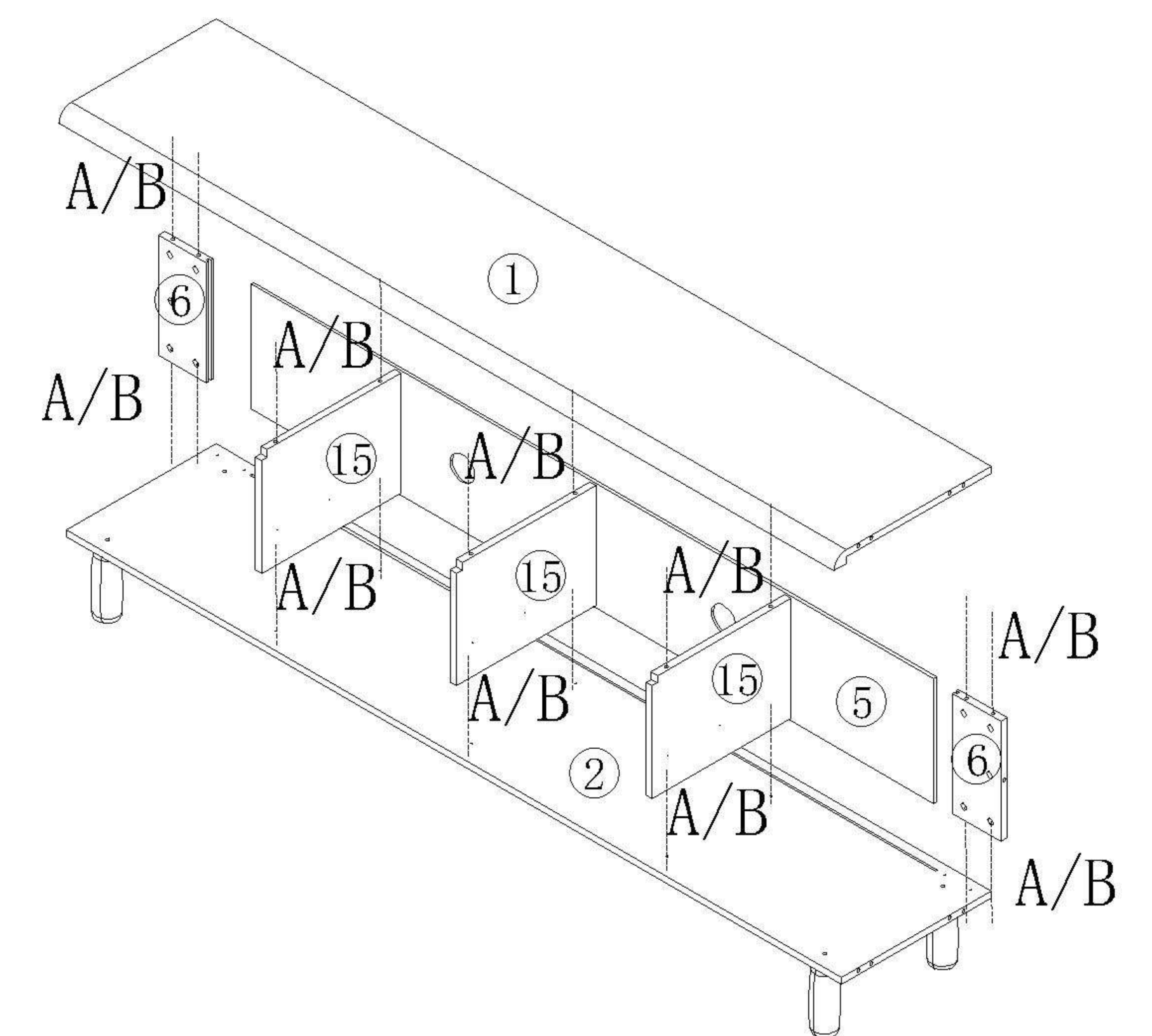
### STEP2



- ▶ 用五金E将五金F安装在部件2上，再用五金D将部件16安装在部件2上
- ▶ Install hardware F onto component 2 using hardware E, and then install component 16 onto component 2 using hardware D

### 3

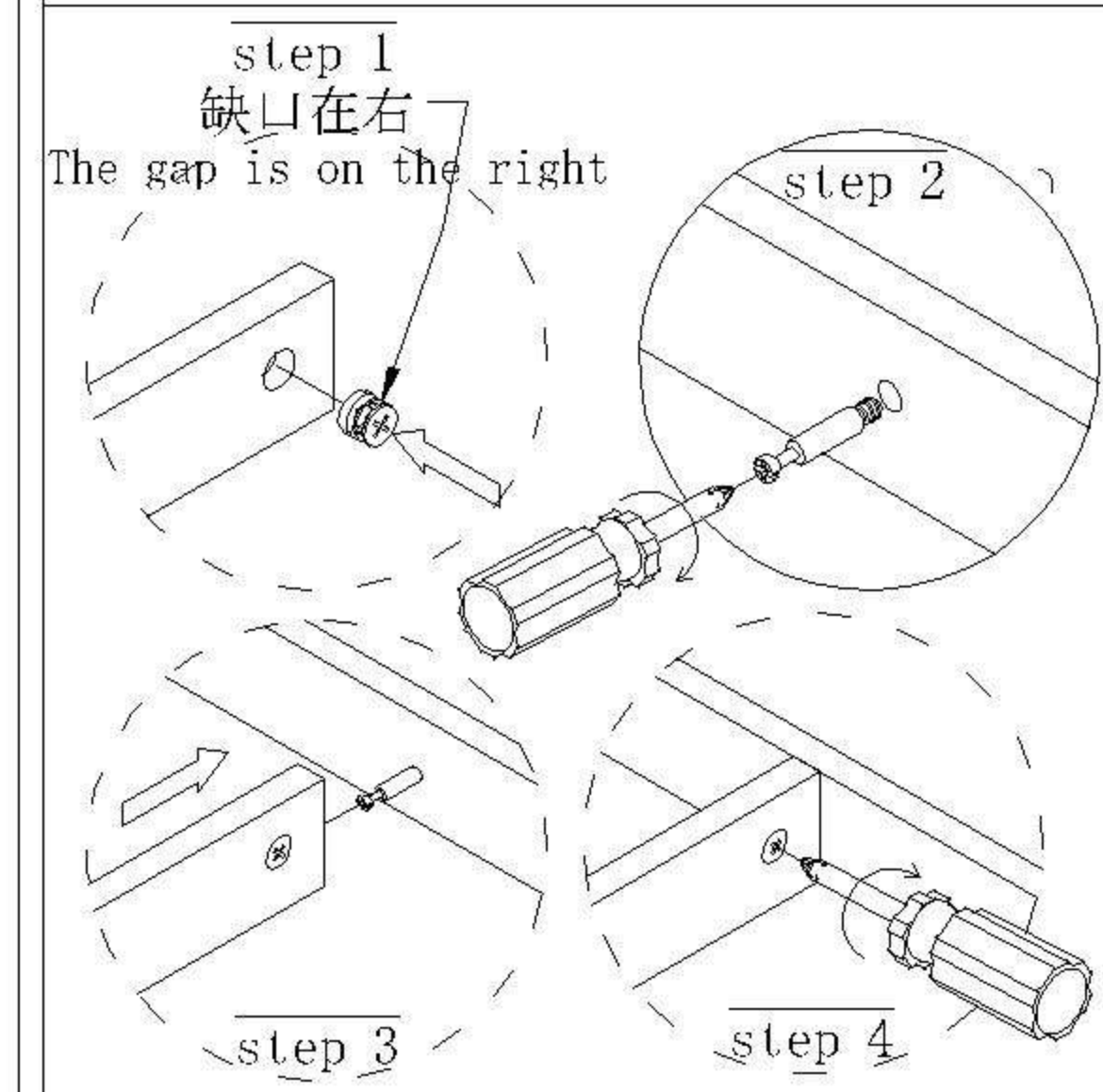
### STEP4



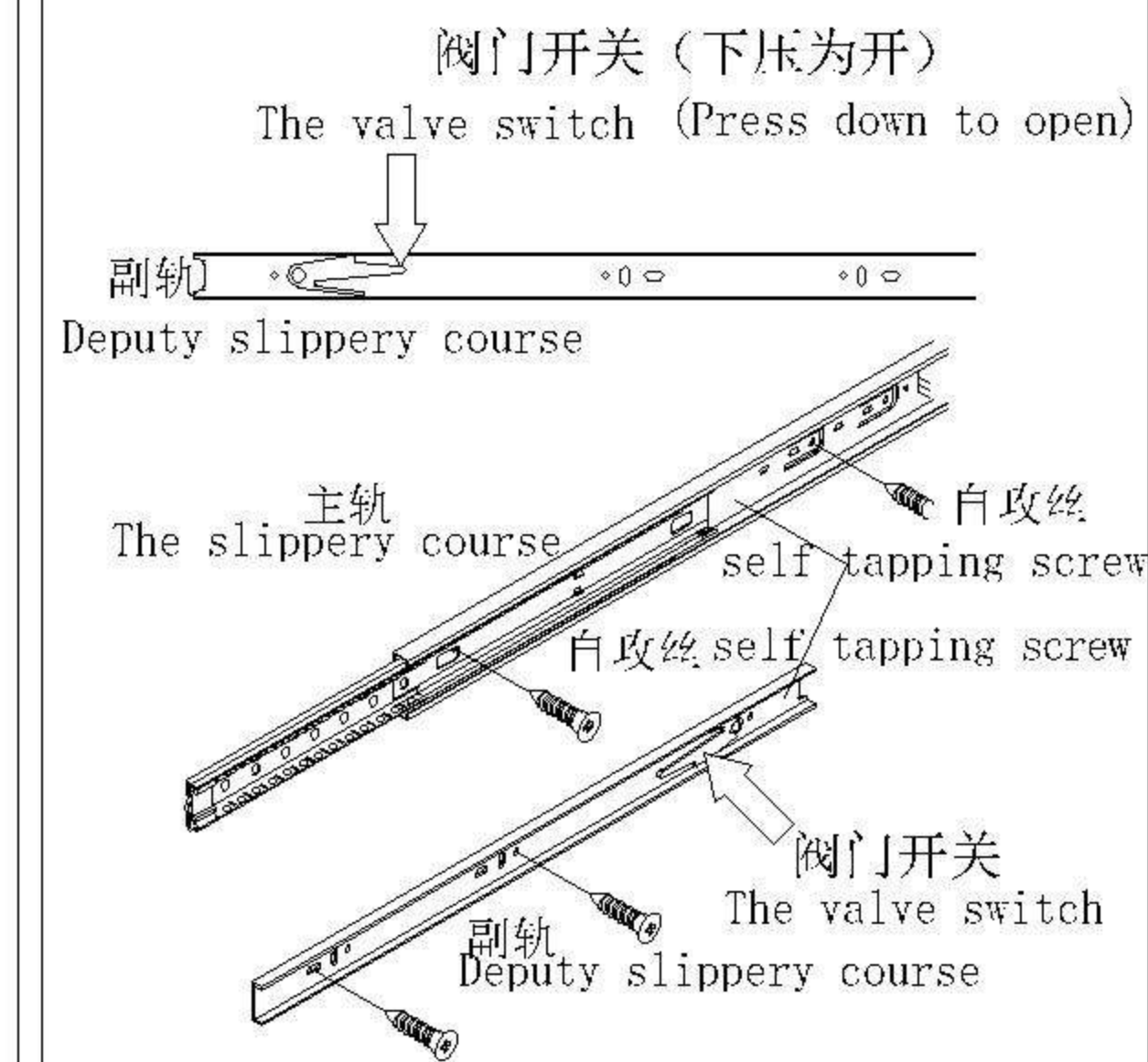
- ▶ 用五金AB和部件1、2、15、5、6组装
- ▶ Assemble with hardware AB and components 1, 2, 15, 5, and 6

LH220M2-A

安装方法/Installation method

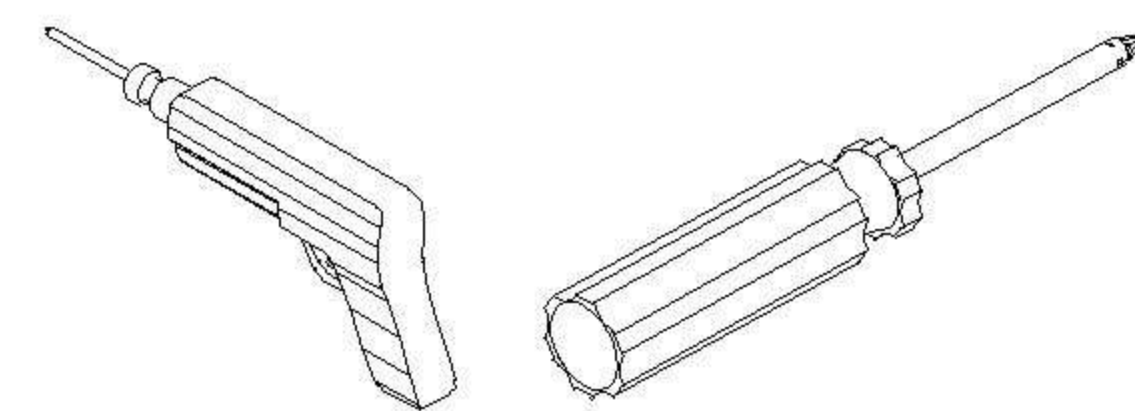


二合一安装方法  
2 in 1 Installation method



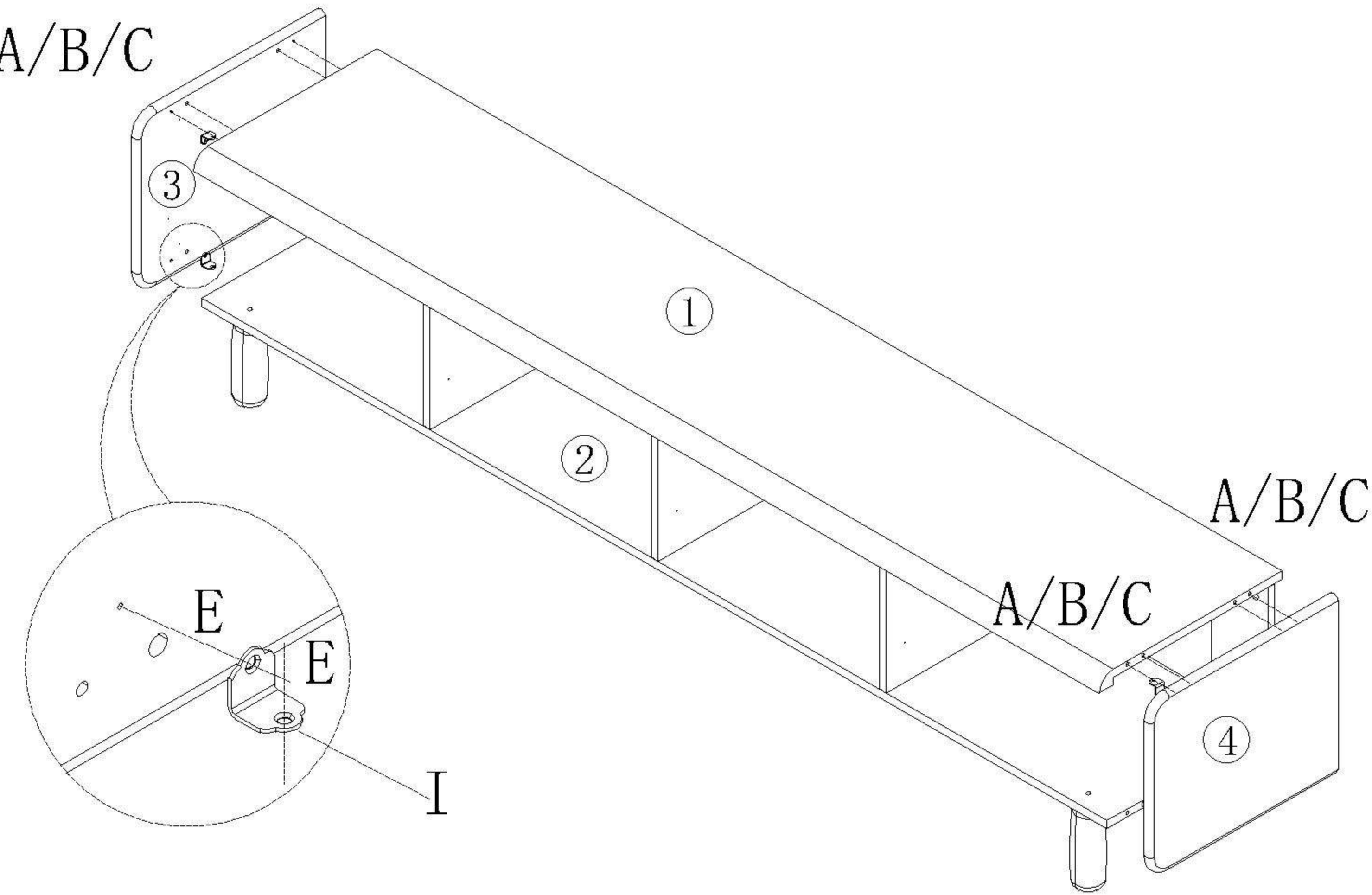
导轨安装方法  
Installation method of slide rails

安装工具/Tool



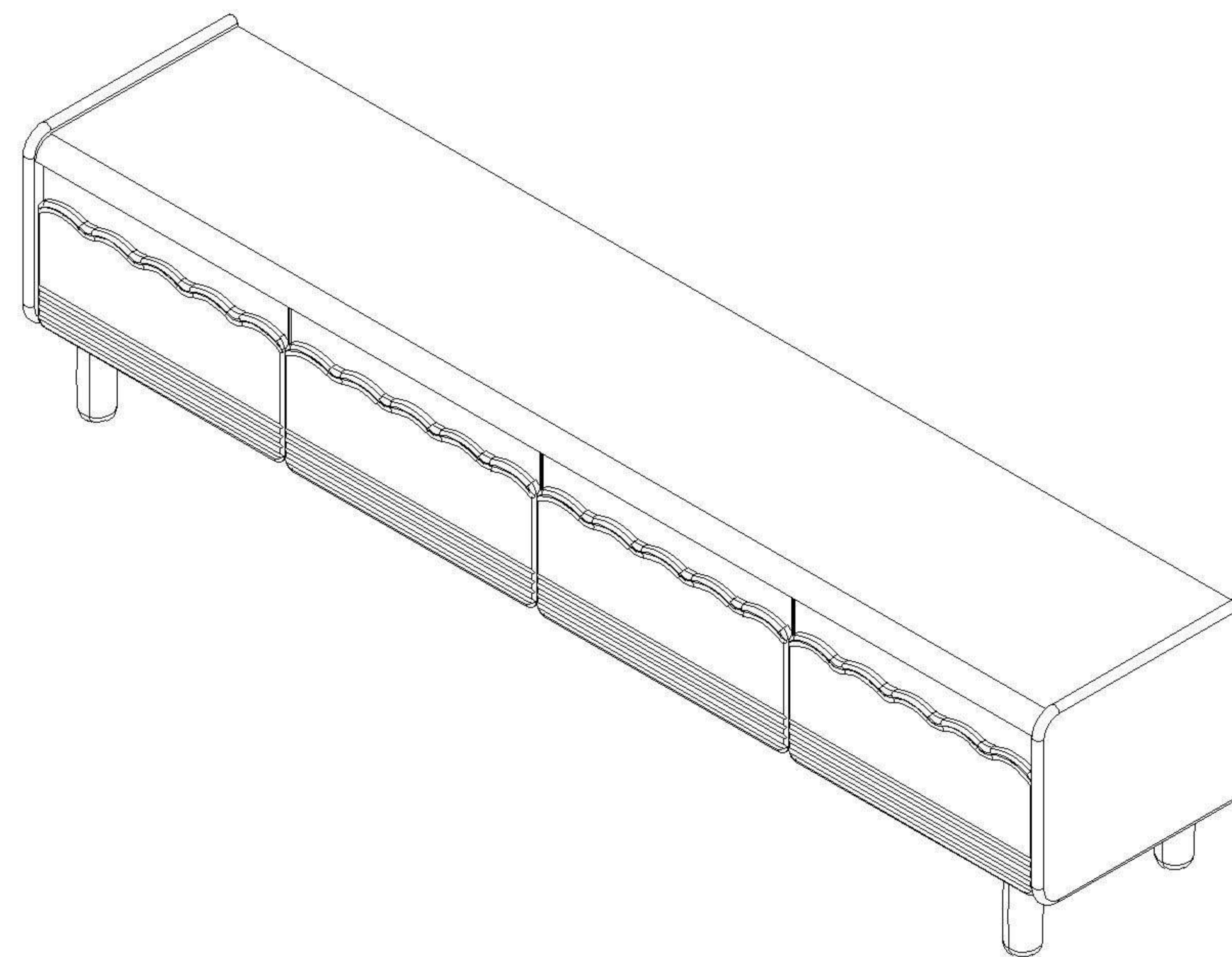
手电钻  
Hand electric drill  
十字螺丝刀  
Phillips screwdriver

### STEP5 A/B/C



- ▶ 用五金ABC将部件3、4连接在STEP4组装好的部件上，再用五金E将五金I和部件1、2、3、4组装
- ▶ Use hardware ABC to connect parts 3 and 4 to the assembled parts in STEP4, and then use hardware E to assemble hardware I with parts 1, 2, 3, and 4

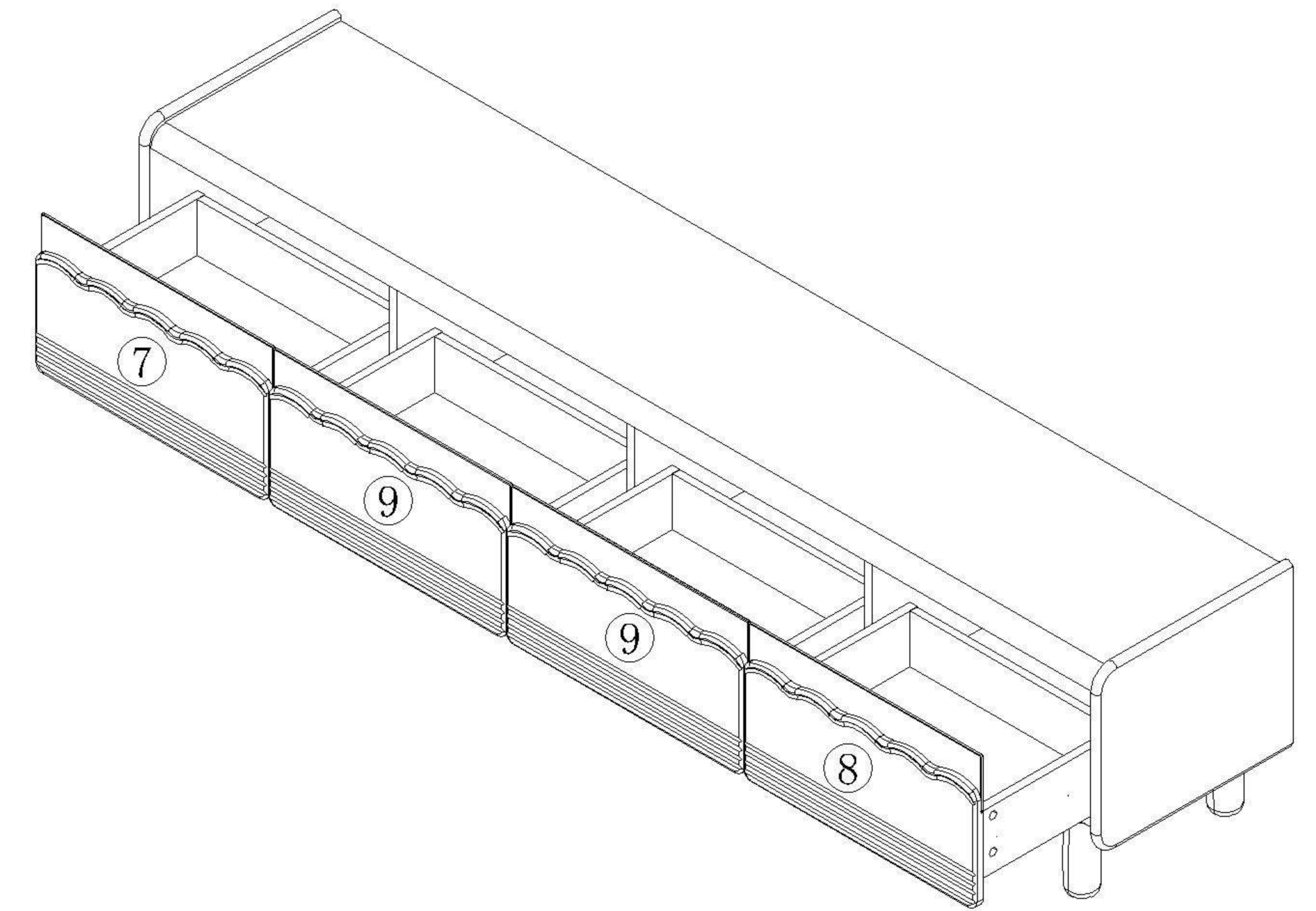
### STEP7



安装完成  
installation is complete

5

### STEP6



将抽屉对准轨道放入柜体  
Align the drawer with the track and place it into the cabinet body

6

7

8