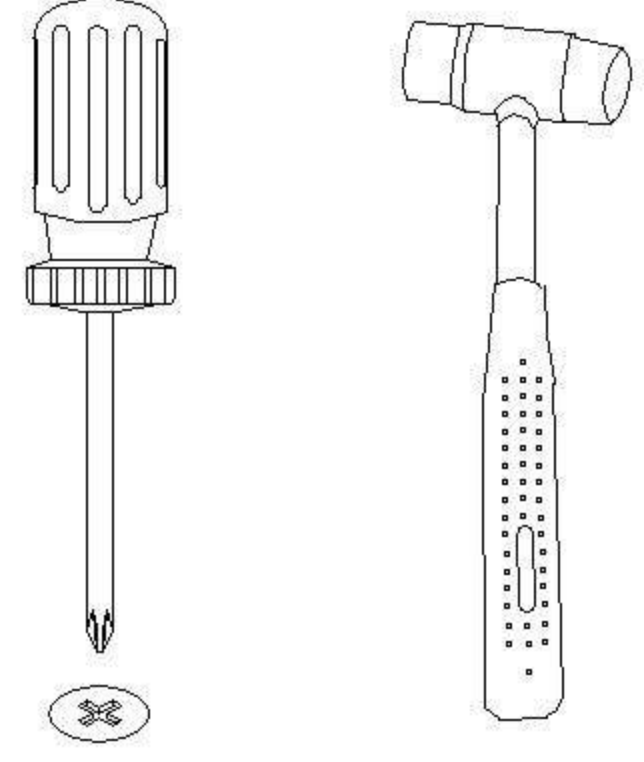
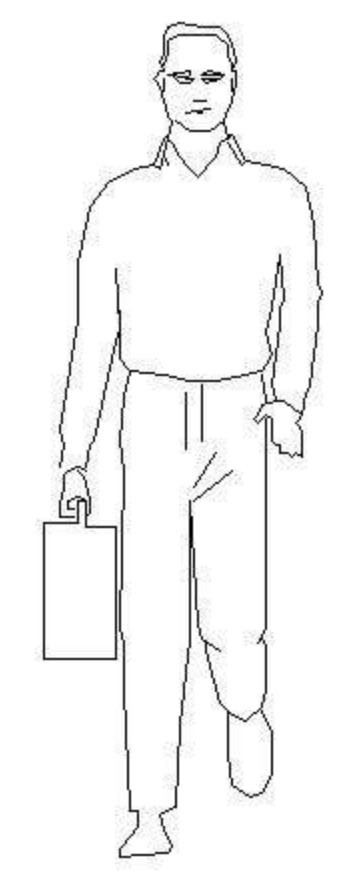


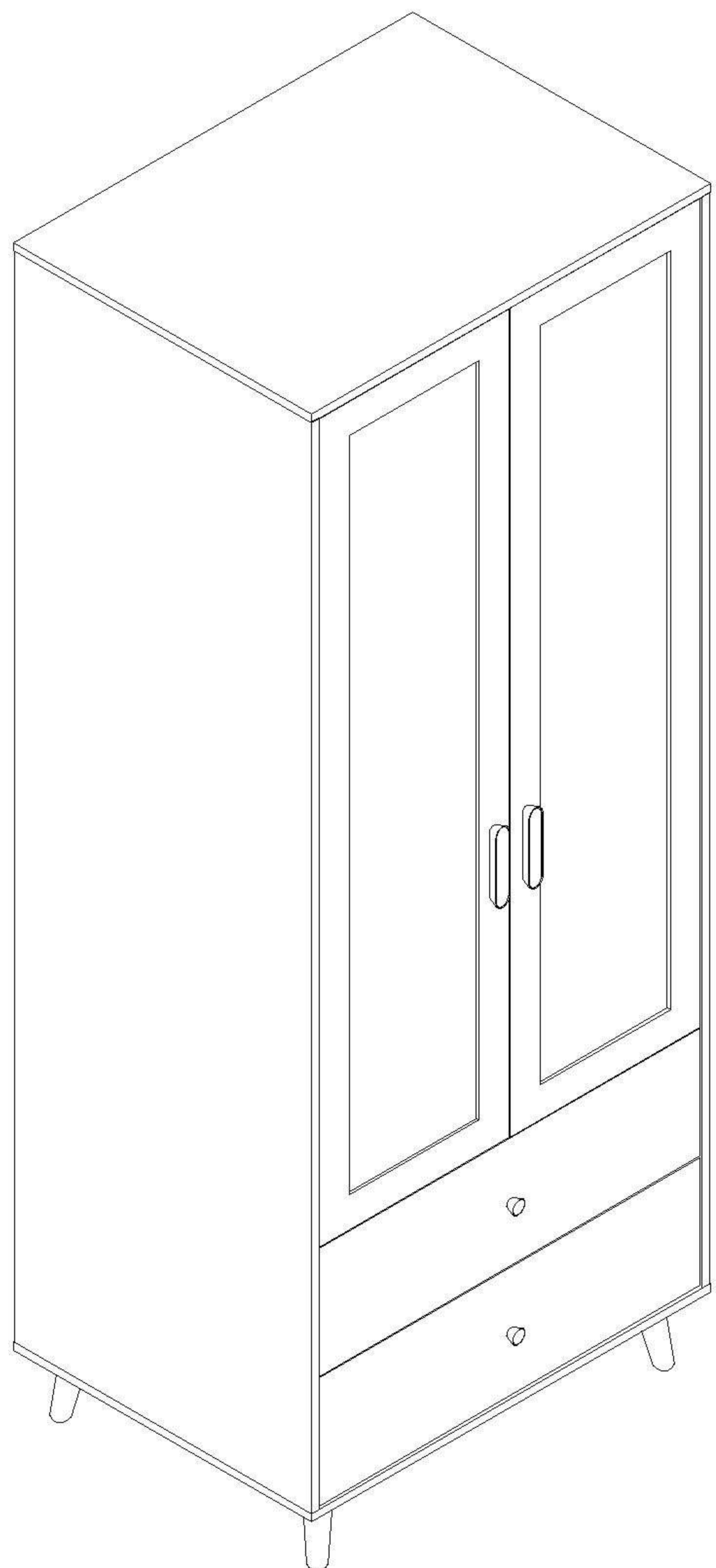
LINSY 林氏家居

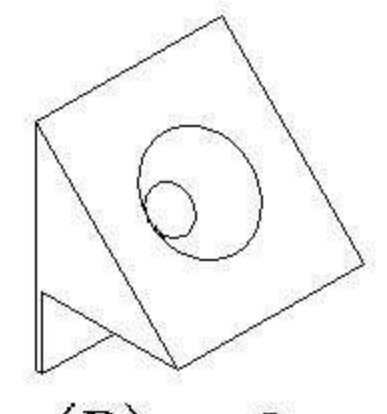
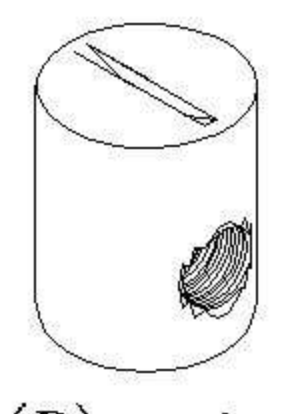
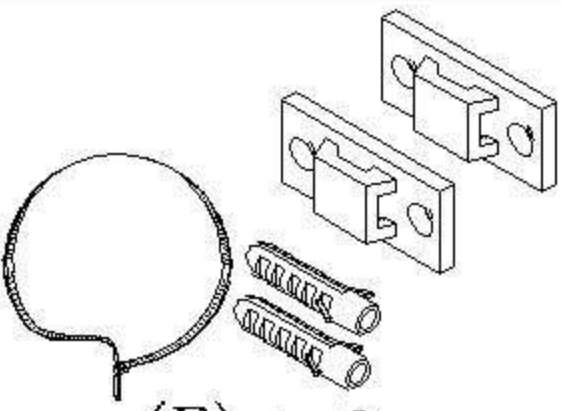
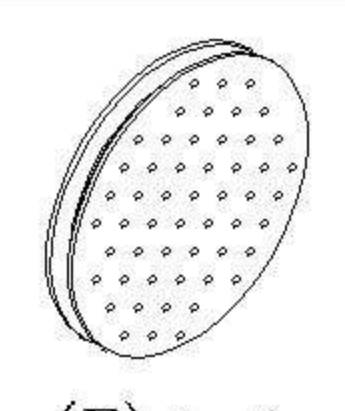
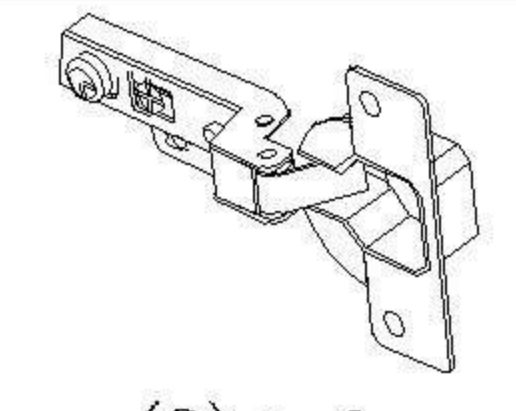
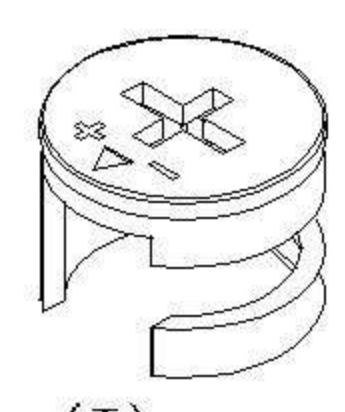
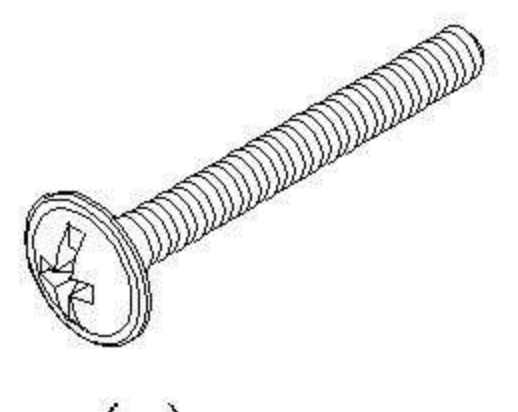
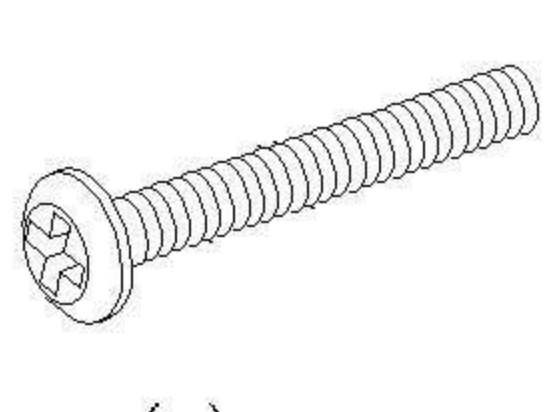
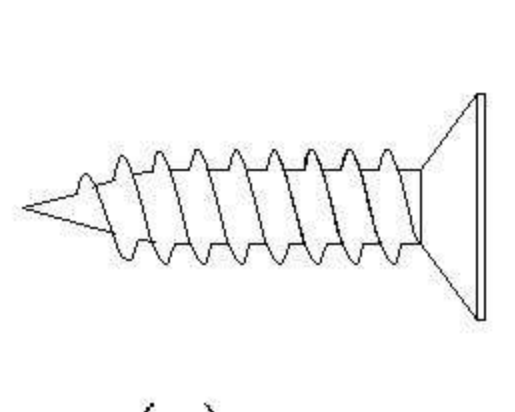
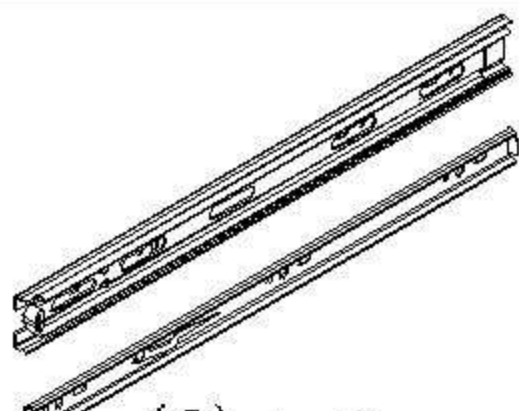
五金表/Hardware list

部件表/Parts List

安装示意图/Assembly Instruction

产品名称 Model NO.	AC10D-A
产品规格 Specification	798*617*2043mm
安装工具 Tool	安装人数 Installer
	

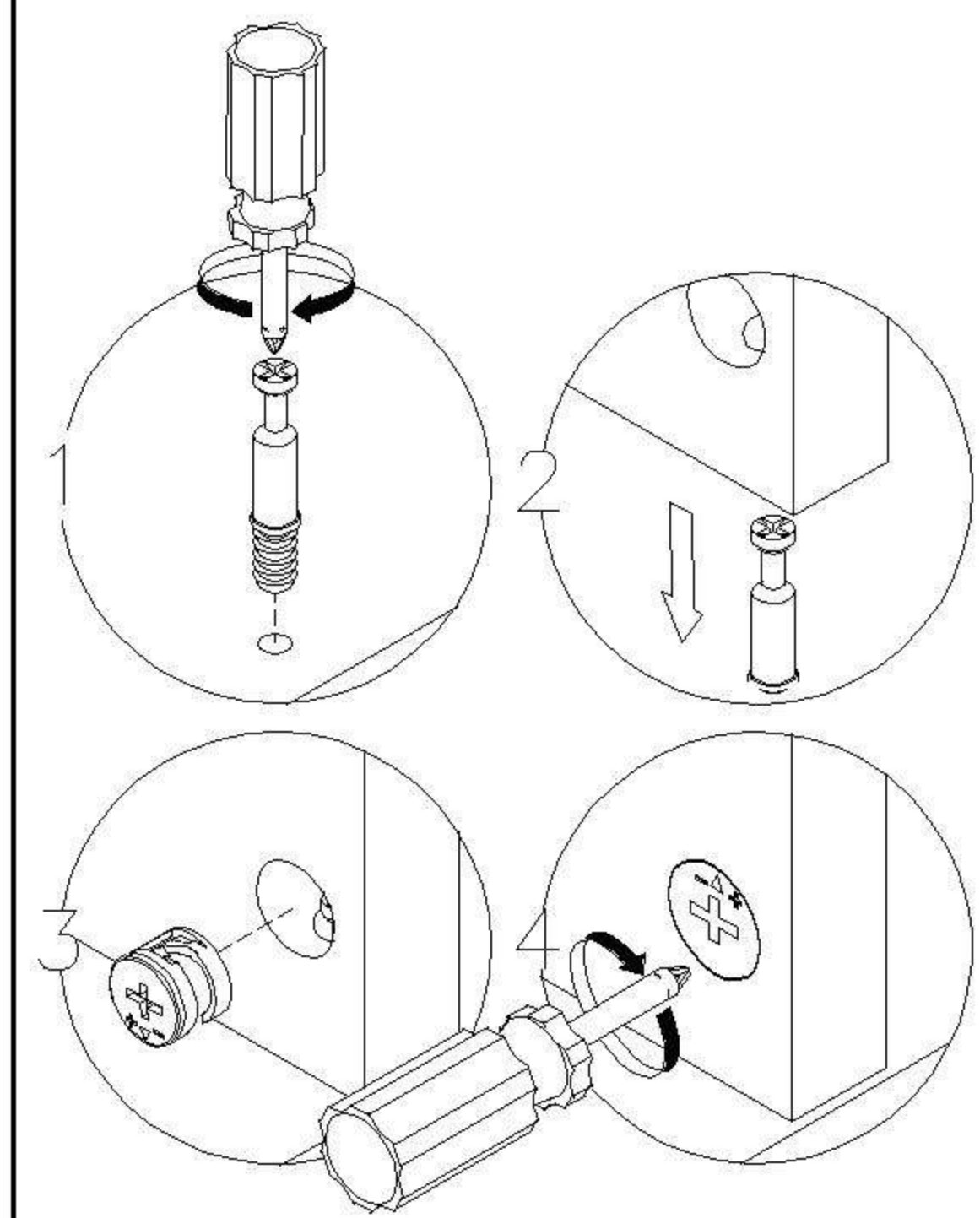


 (A)* 4 透明防滑PVC脚垫 Rubber stopper	 (B)* 8 背板扣 Back Plate Buckle	 (C)* 8 层板托5mm shelf support	 (D)* 4 锤母-M8 Ø8x12mm Hammer nut
 (E)* 2 家具防倒器-白色 Anti-fall device white	 (F)* 1 透气孔盖-白色 Vent cover - white	 (G)* 6 杯径35大弯缓冲门铰 Hinge-big bends	 (H)* 51 二合一螺杆(35mm) 2-in-1-screw
 (I)* 51 大三合一锁饼(15mm) Three-in-one large lock	 (J)* 8 拉手螺丝-M4x28mm Pulling screw	 (K)* 4 斜边十字螺杆M8x55 Bevel cross screw	 (L)* 34 自攻螺丝M3.5x12mm Self-tapping screw
 (M)* 8 自攻螺丝M3.5x16mm Self-tapping screw	 (N)* 8 木榫Ø8x30mm wood tenon	 (O)* 2 挂衣托 Clothes hanger	 (P)* 1 挂衣杆L=758mm Hanging bar
 (Q)* 2 三节滚珠导轨-14" Three-section ball rail			

编号NO.	名称Name	规格(mm) Specification	数量QTY	材质Material
①	顶板Top board	798*594*15	1	三胺板 Melamine
②	底板Bottom board	798*594*15	1	三胺板 Melamine
③	左侧板Side board(L)	1888*594*15	1	三胺板 Melamine
④	右侧板Side board(R)	1888*594*15	1	三胺板 Melamine
⑤	背板Back board	1898*575*5	1	三胺板 Melamine
⑥	背拉条Back brace	1888*101*15	2	三胺板 Melamine
⑦	层板Shelf	765*552*15	2	三胺板 Melamine
⑧	左门板组立Door board assembly(L)	1433*380*18	1	三胺板 Melamine
⑨	右门板组立Door board assembly(R)	1433*380*18	1	三胺板 Melamine
⑩	脚Foot	120*72*46	4	实木 Wood
⑪	抽屉面板Drawer's top panel	762*222*18	2	三胺板 Melamine
⑫	抽屉左侧板Drawer's side board(L)	395*142*15	2	三胺板 Melamine
⑬	抽屉右侧板Drawer's side board(R)	395*142*15	2	三胺板 Melamine
⑭	抽屉后板Drawer's Back board	710*142*15	2	三胺板 Melamine
⑮	抽屉底板Drawer's Bottom board	720*388*5	2	三胺板 Melamine
⑯	抽屉底托条Drawer's bottom bracket	378*58*15	2	三胺板 Melamine
⑰	门拉手Door handle	208*25*20	2	实木 Wood
⑱	抽屉拉手Drawer handle	80*25*20	2	实木 Wood

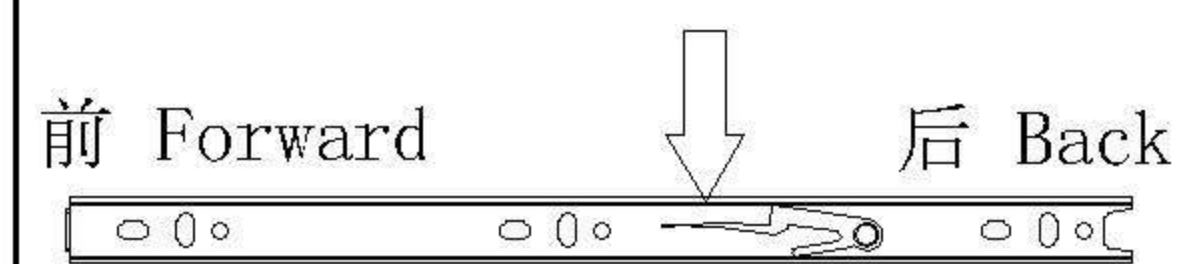
AC10D-A

安装方法 Installation method

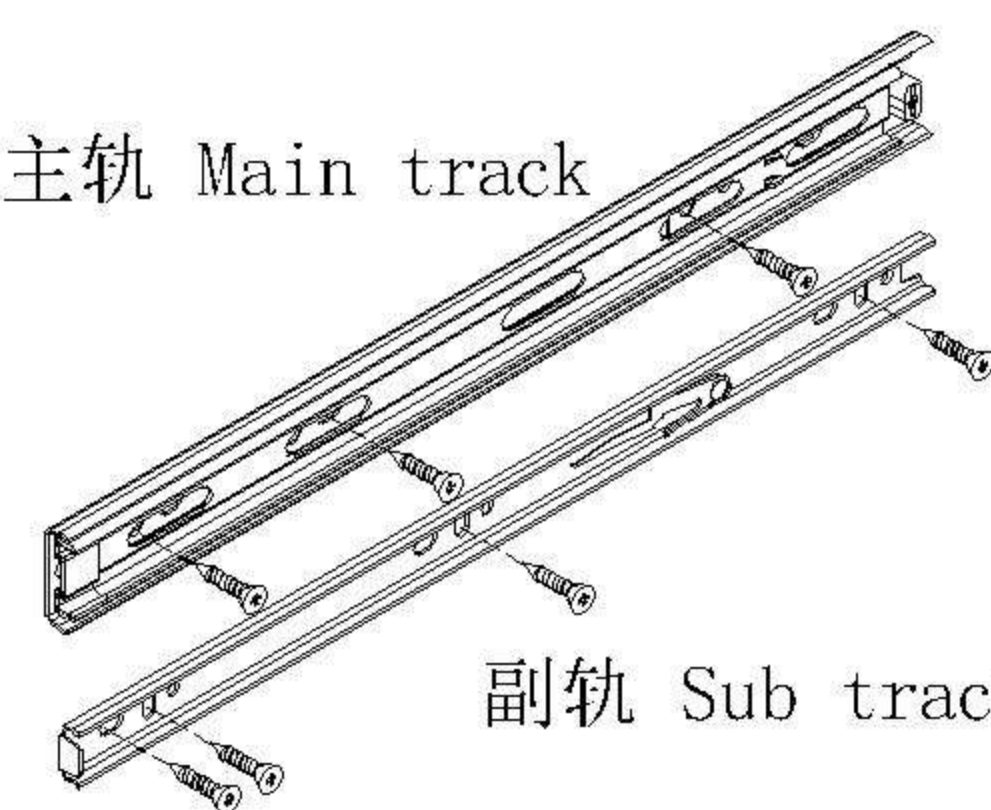


二合一 two-in-one

阀门开关(下压为开)
Valve switch (press down to open)

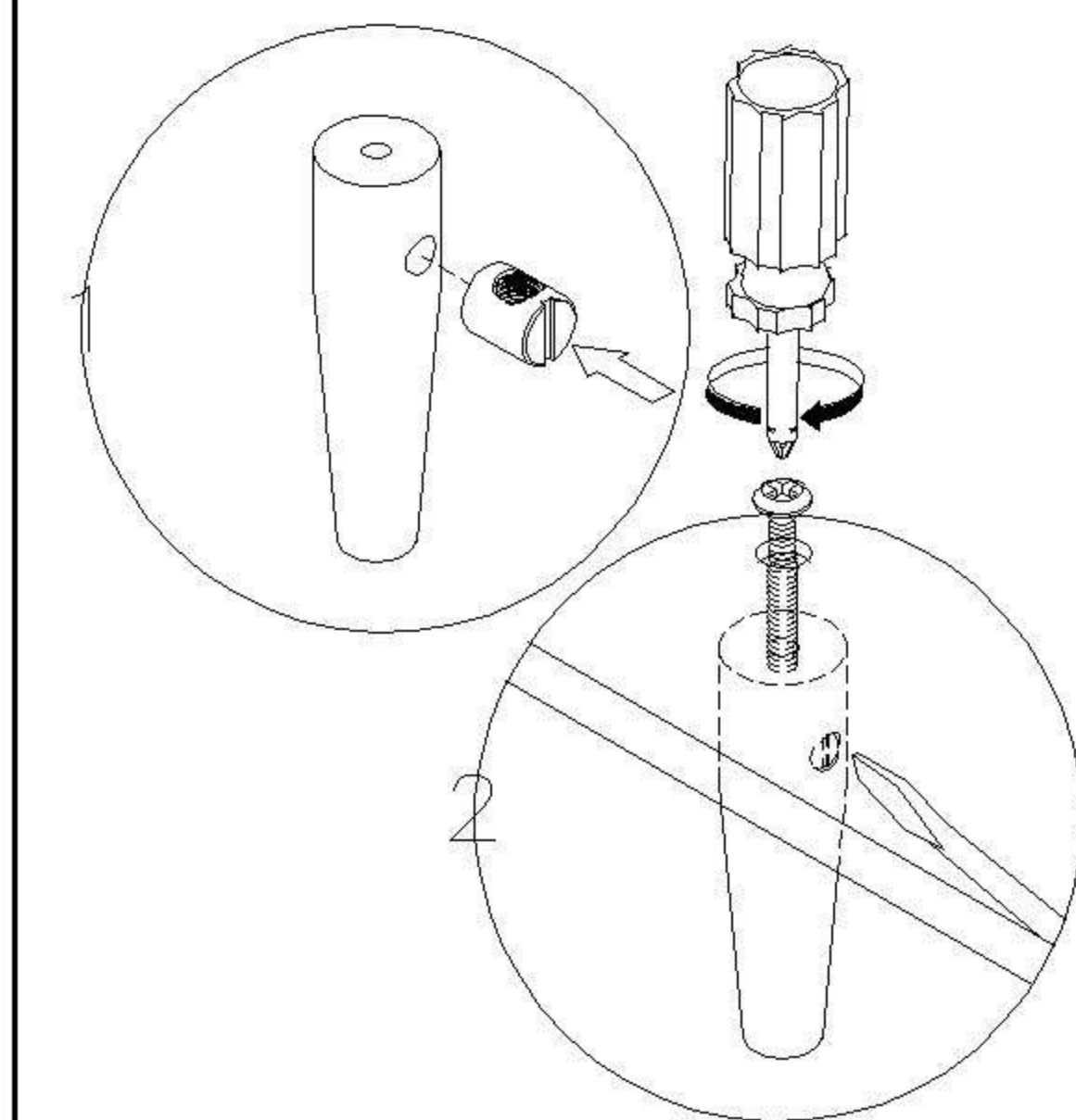


主轨 Main track



副轨 Sub track

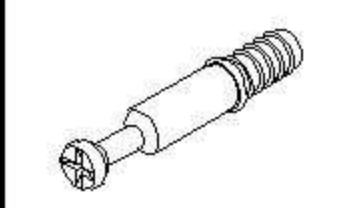
三节滚珠导轨-14"
Three-section rail



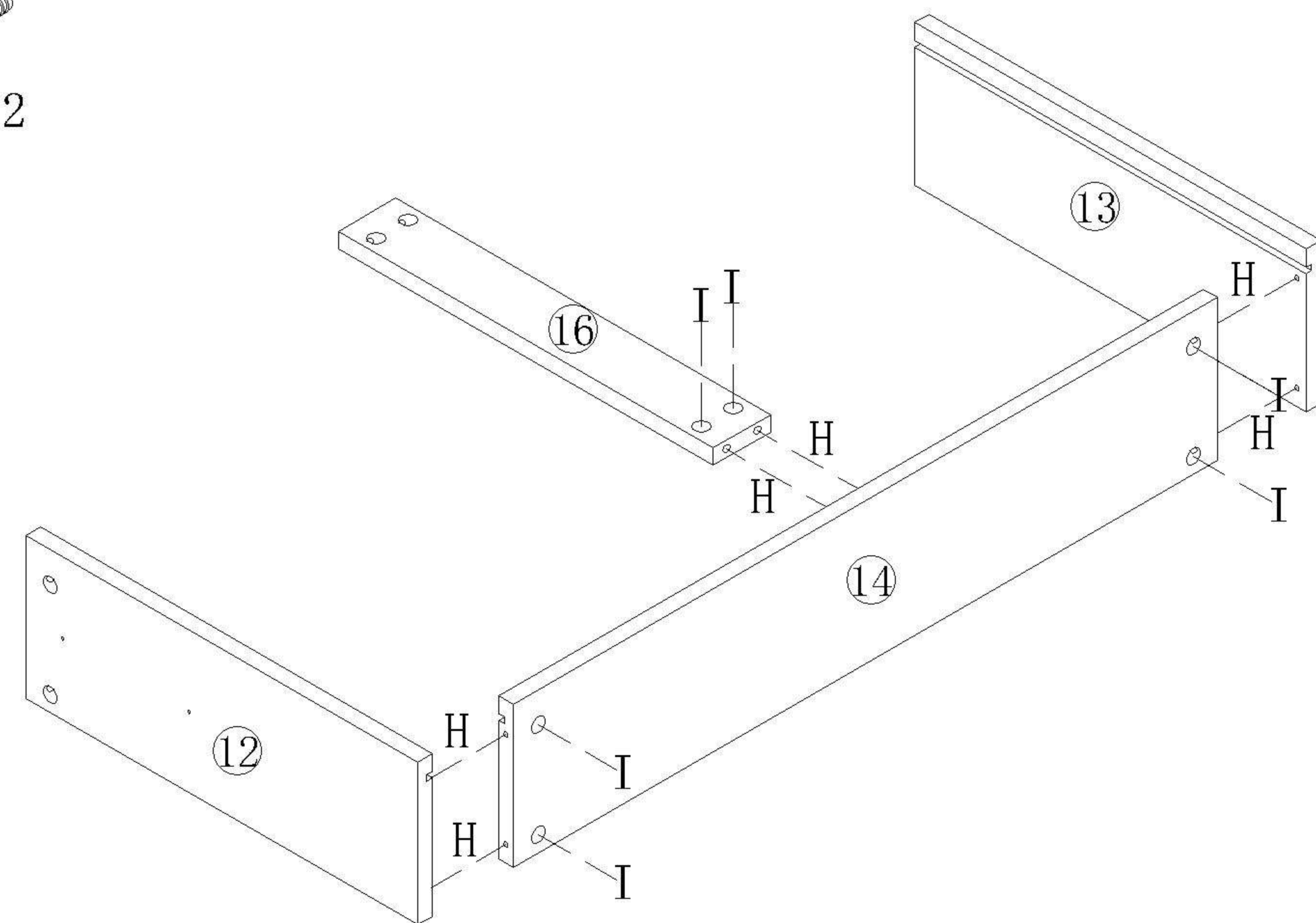
锤母
Hammer nut

抽屉/Drawers:2

(I)*12



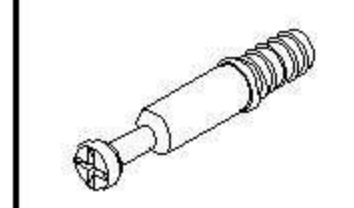
(H)*12



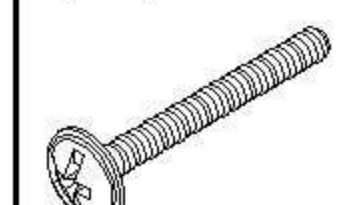
1

抽屉/Drawers:2

(I)*12



(H)*12



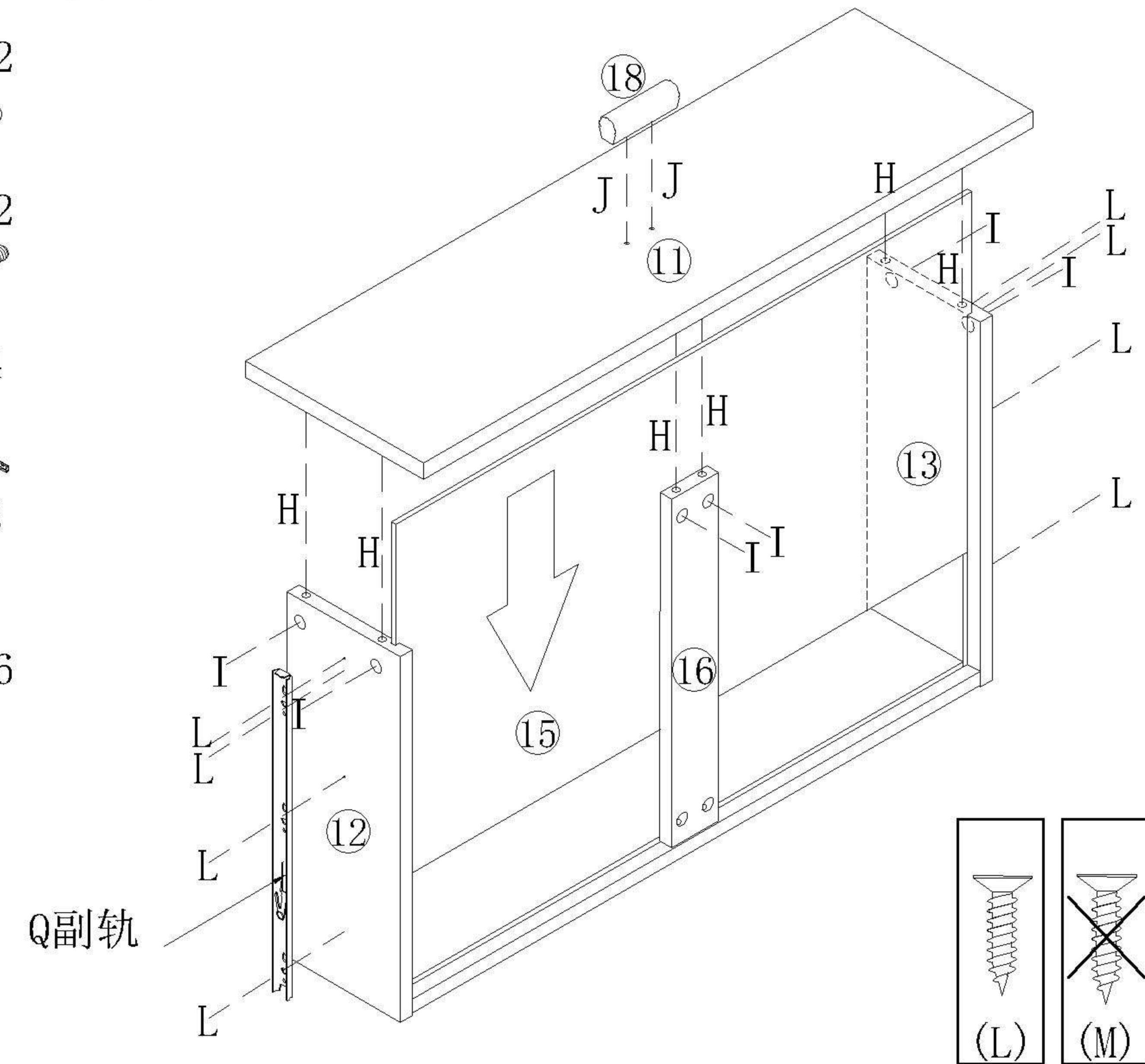
(J)*4



(Q)*2

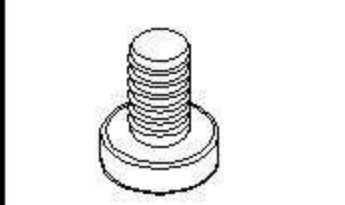


(L)*16

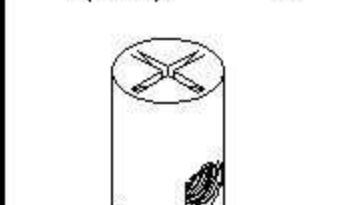


2

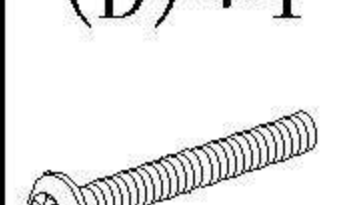
3



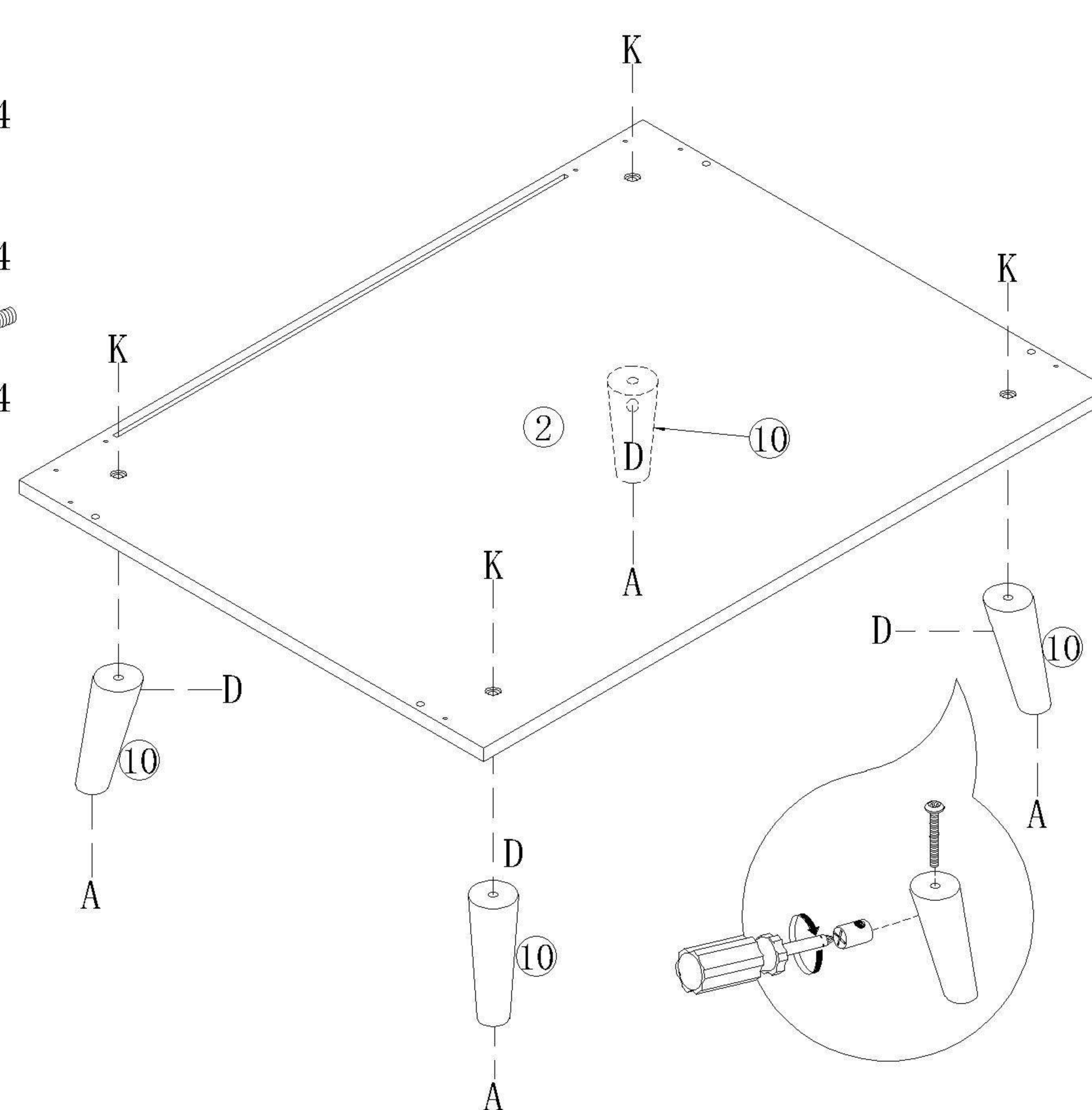
(A)*4



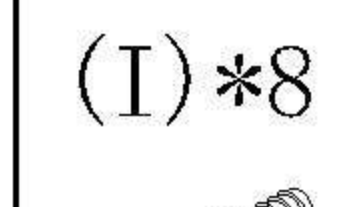
(D)*4



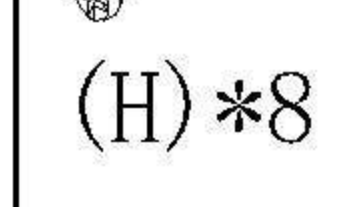
(K)*4



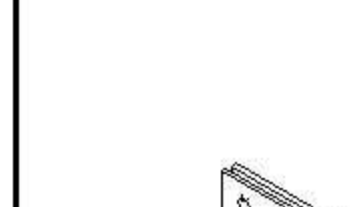
(I)*8



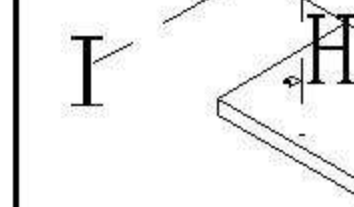
(H)*8



(I)*8



(H)*8



(I)*8



(H)*8



(I)*8



(H)*8



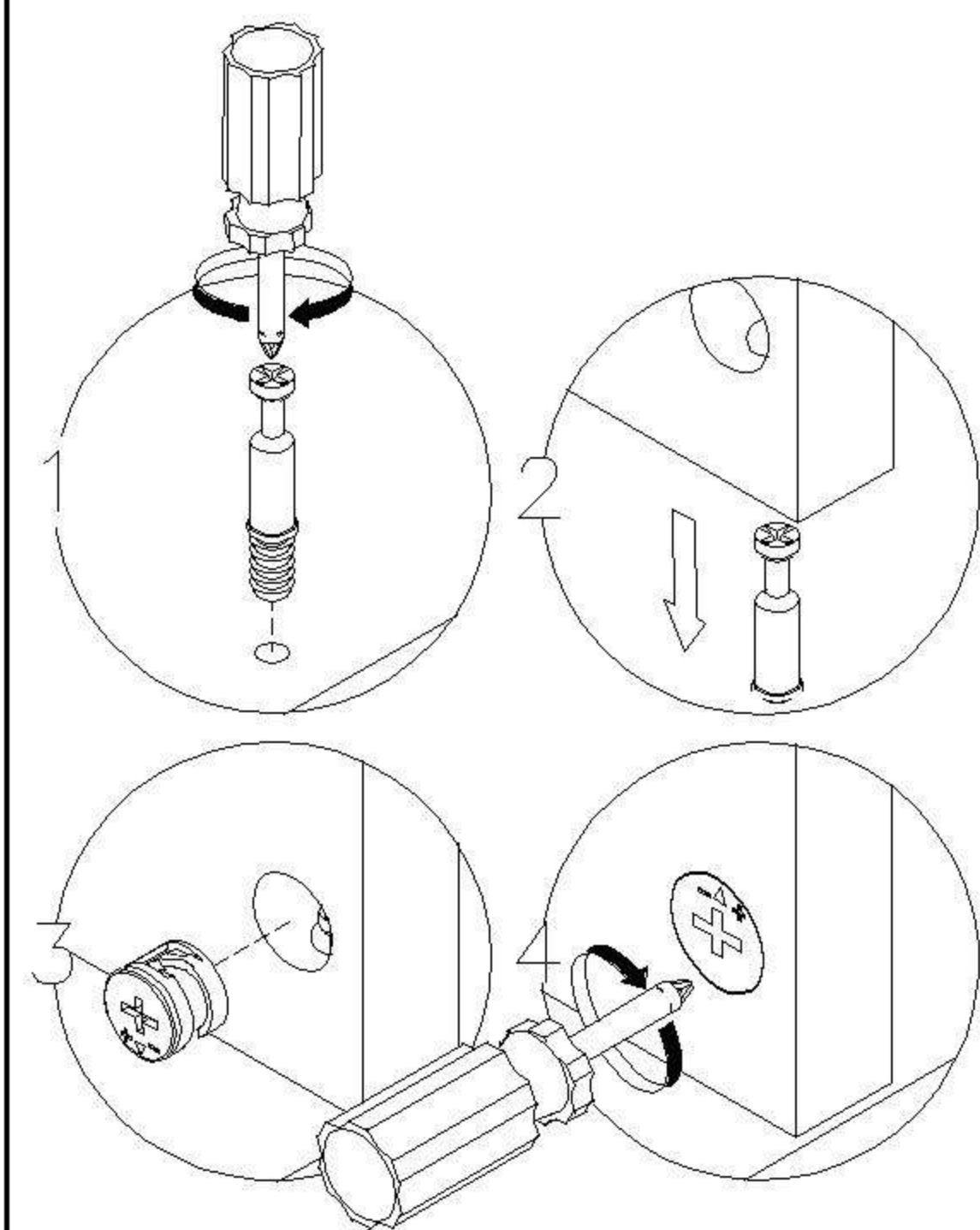
(I)*8

4

AC10D-A

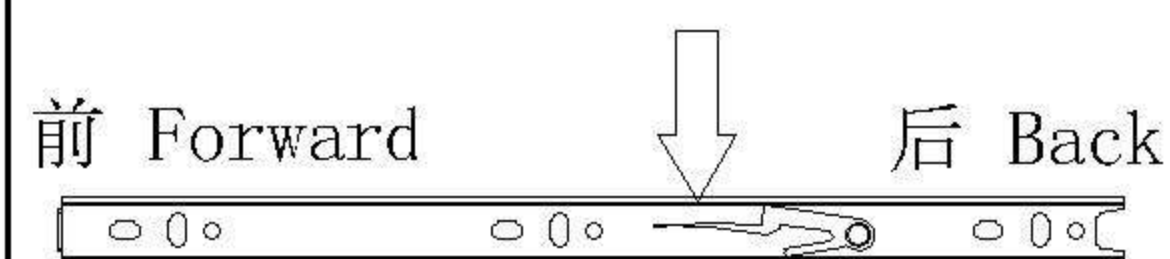
安装方法

Installation method

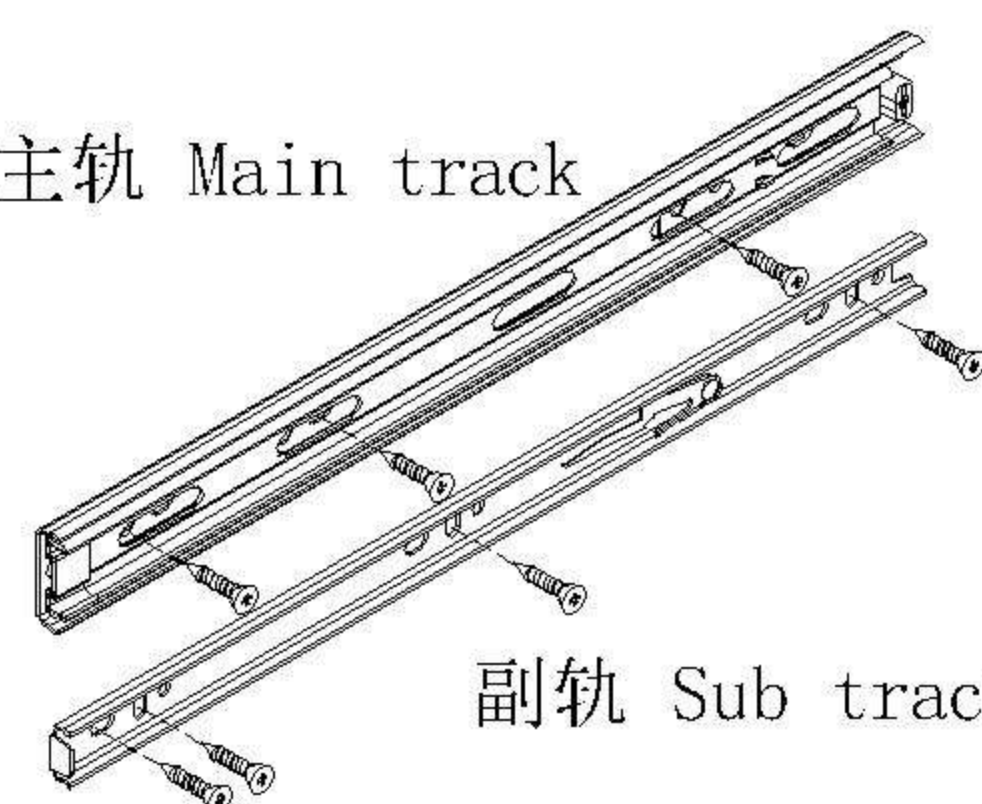


二合一 two-in-one

阀门开关(下压为开)
Valve switch (press down to open)



主轨 Main track

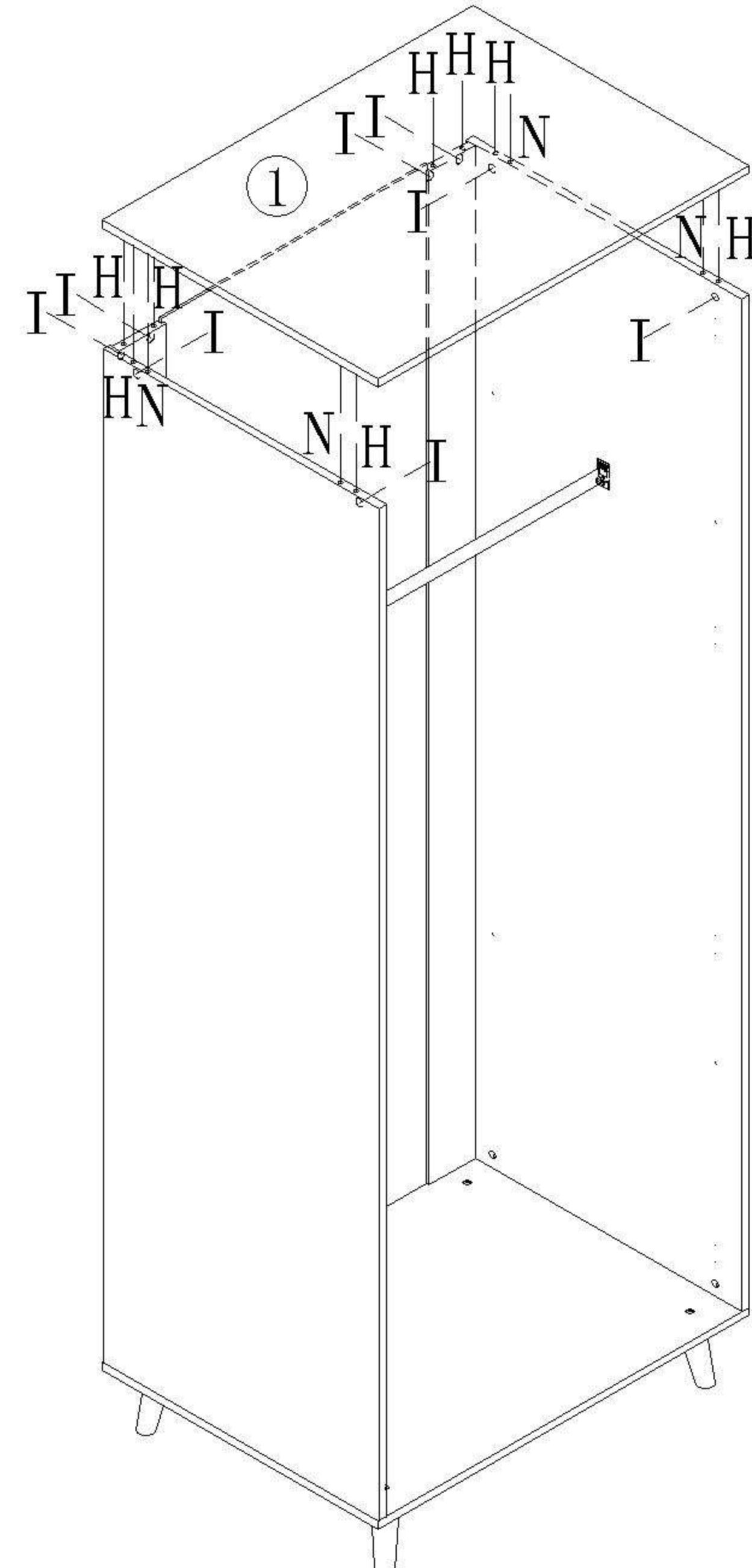
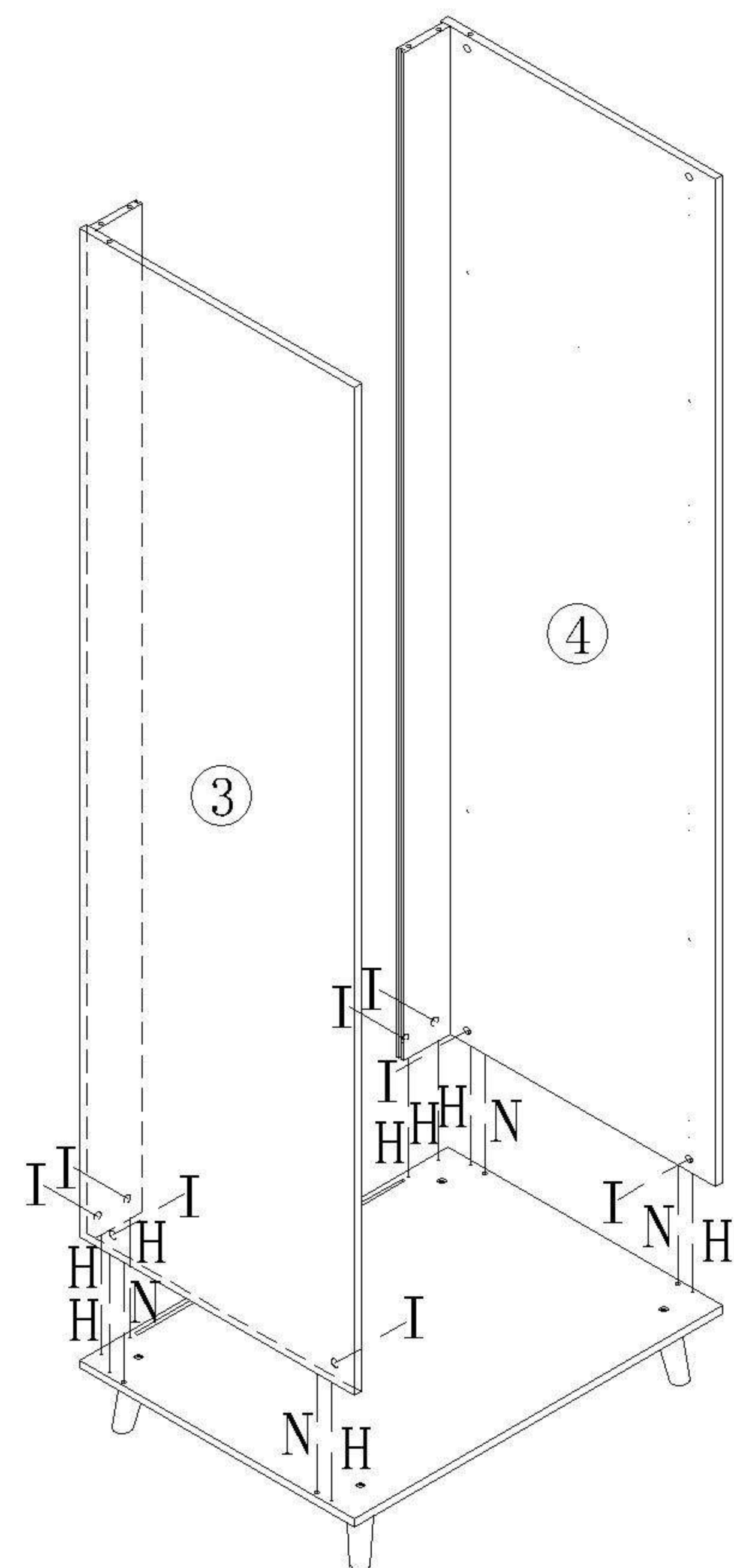


副轨 Sub track

三节滚珠导轨-14"
Three-section rail

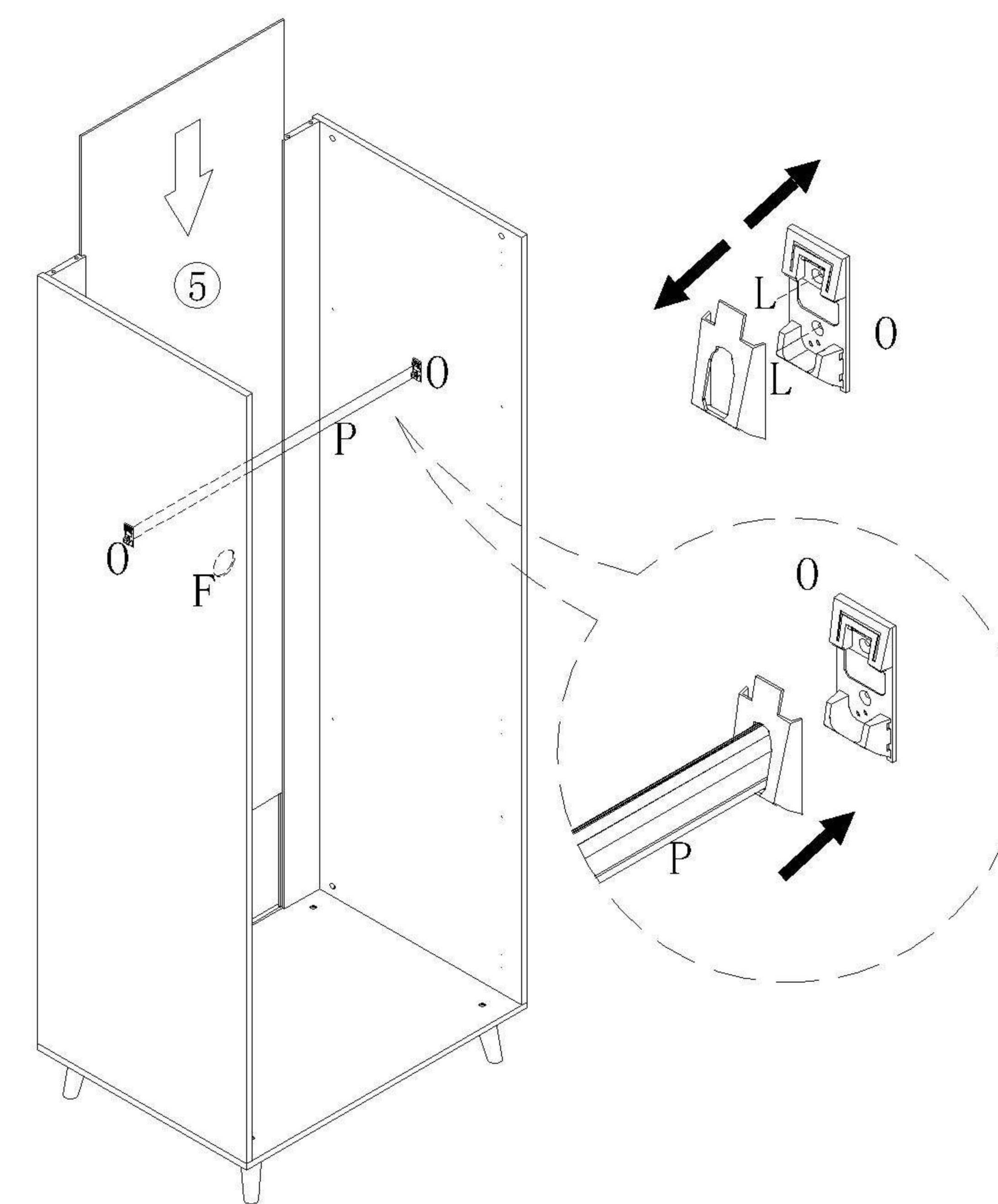
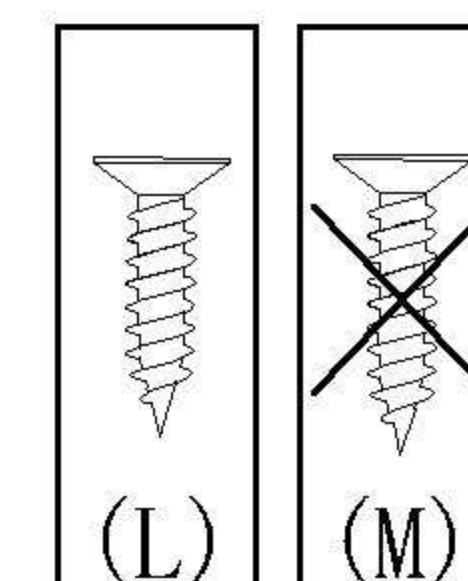
- (I)*8
- (H)*8
- (N)*4

- (I)*8
- (H)*8
- (N)*4



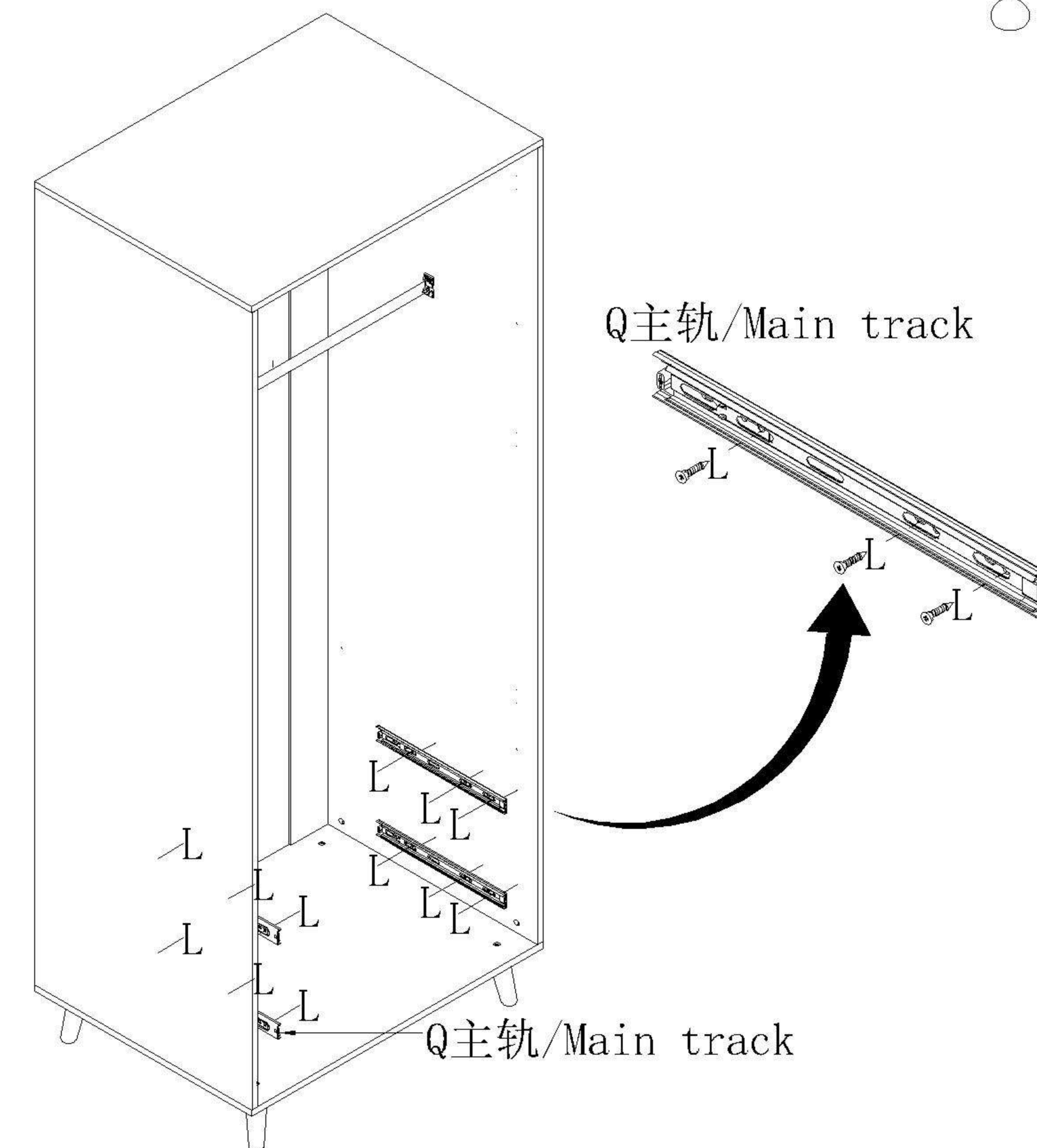
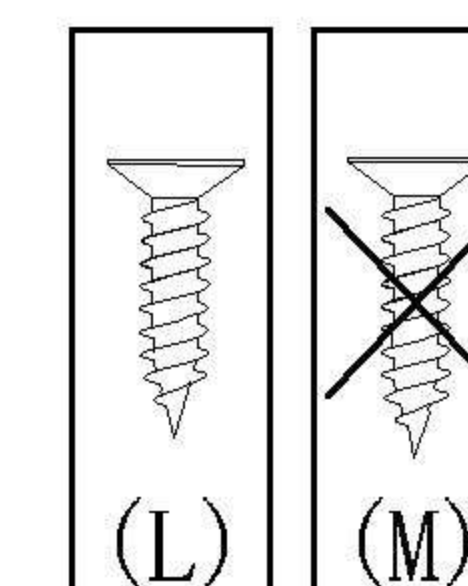
5

- (O)*2
- (P)*1
- (L)*4
- (F)*1



7

- (Q)*2
- (L)*12



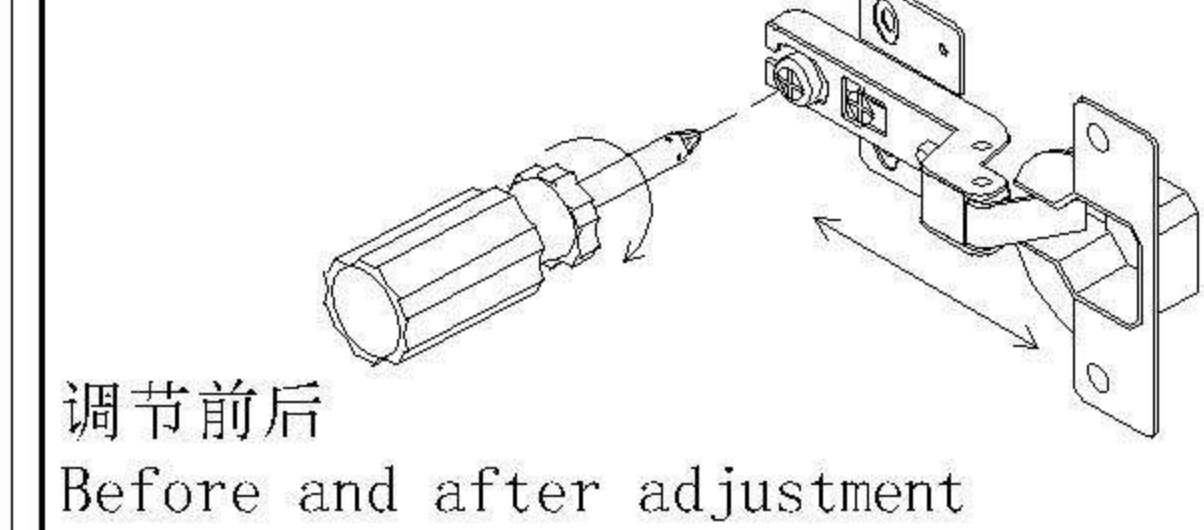
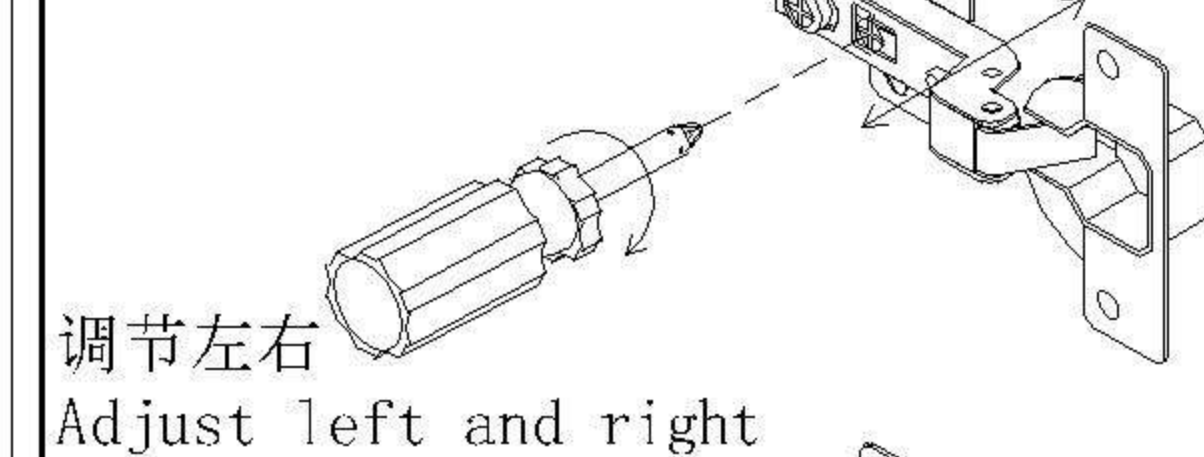
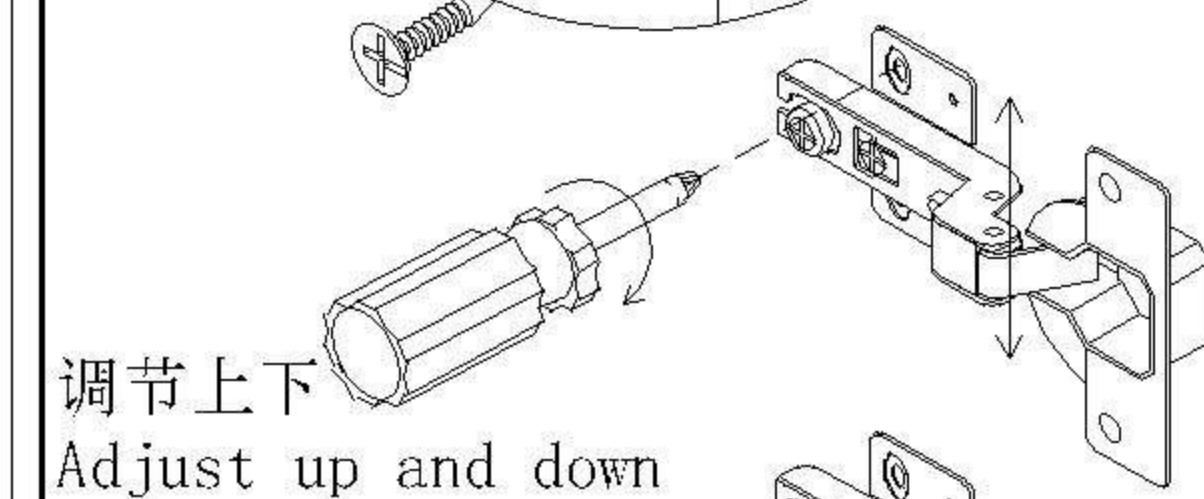
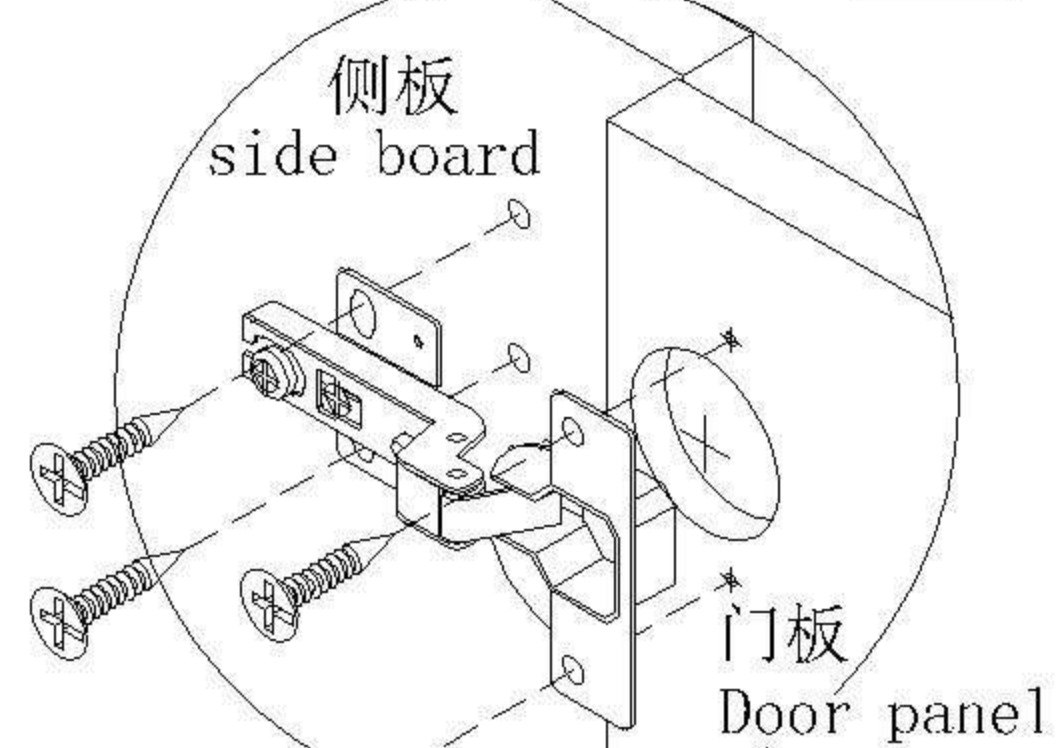
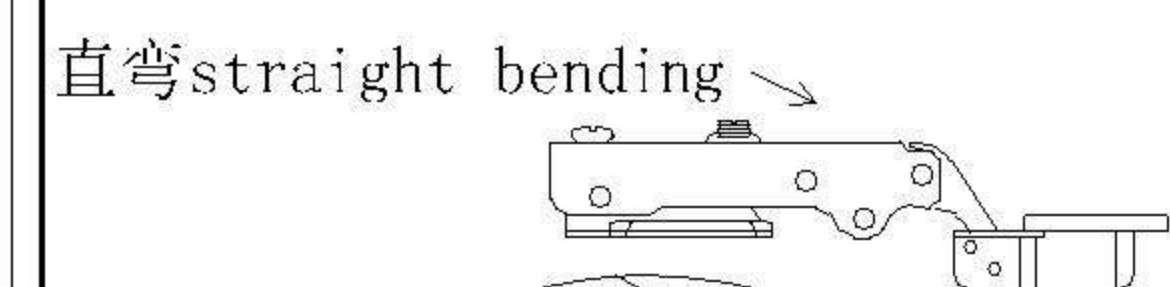
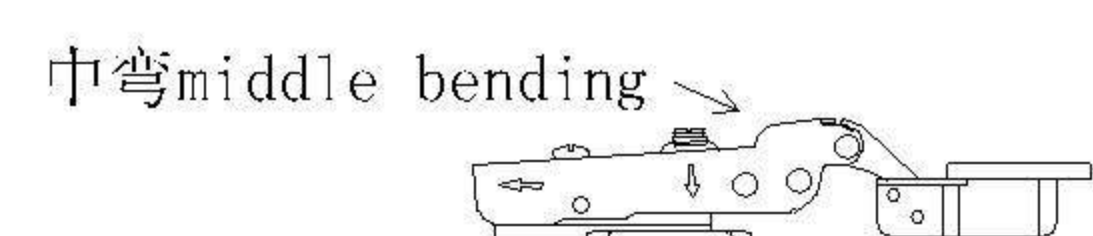
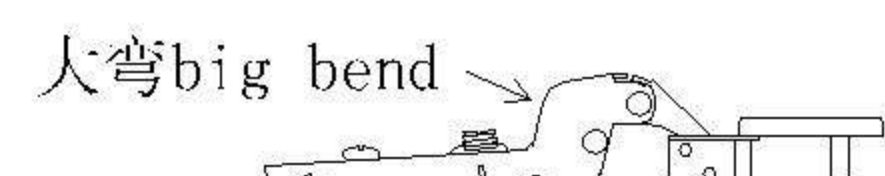
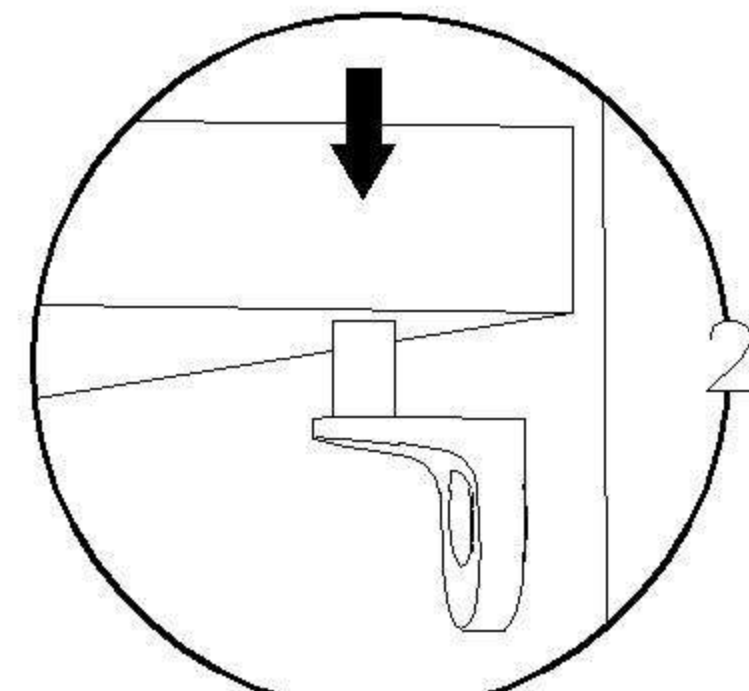
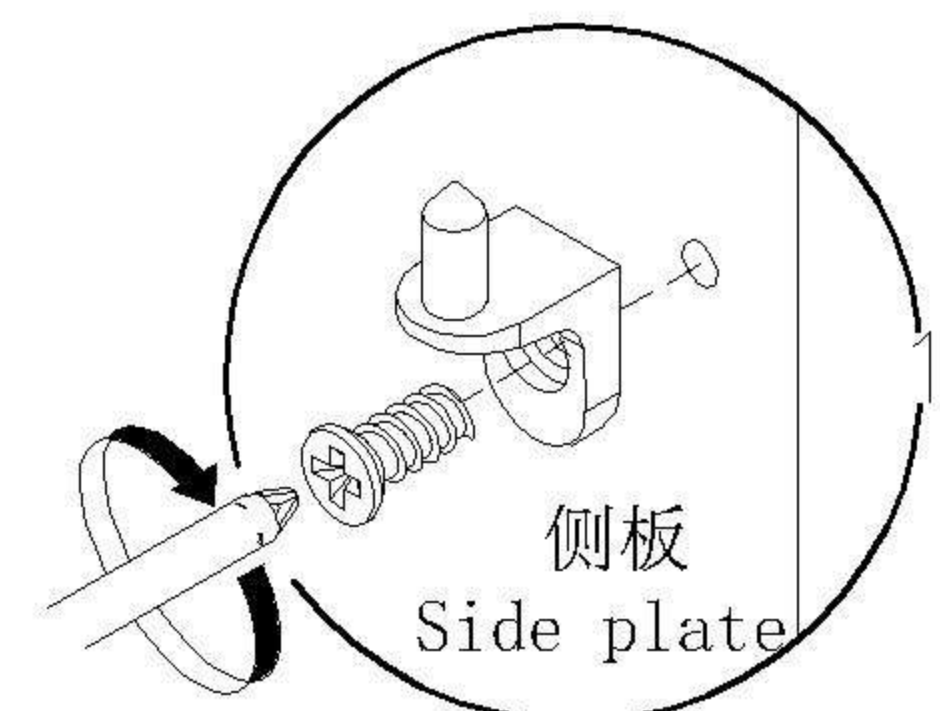
6

8

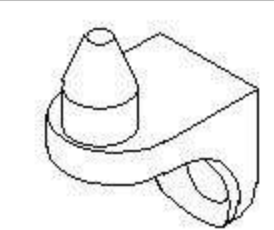
AC10D-A

安装方法

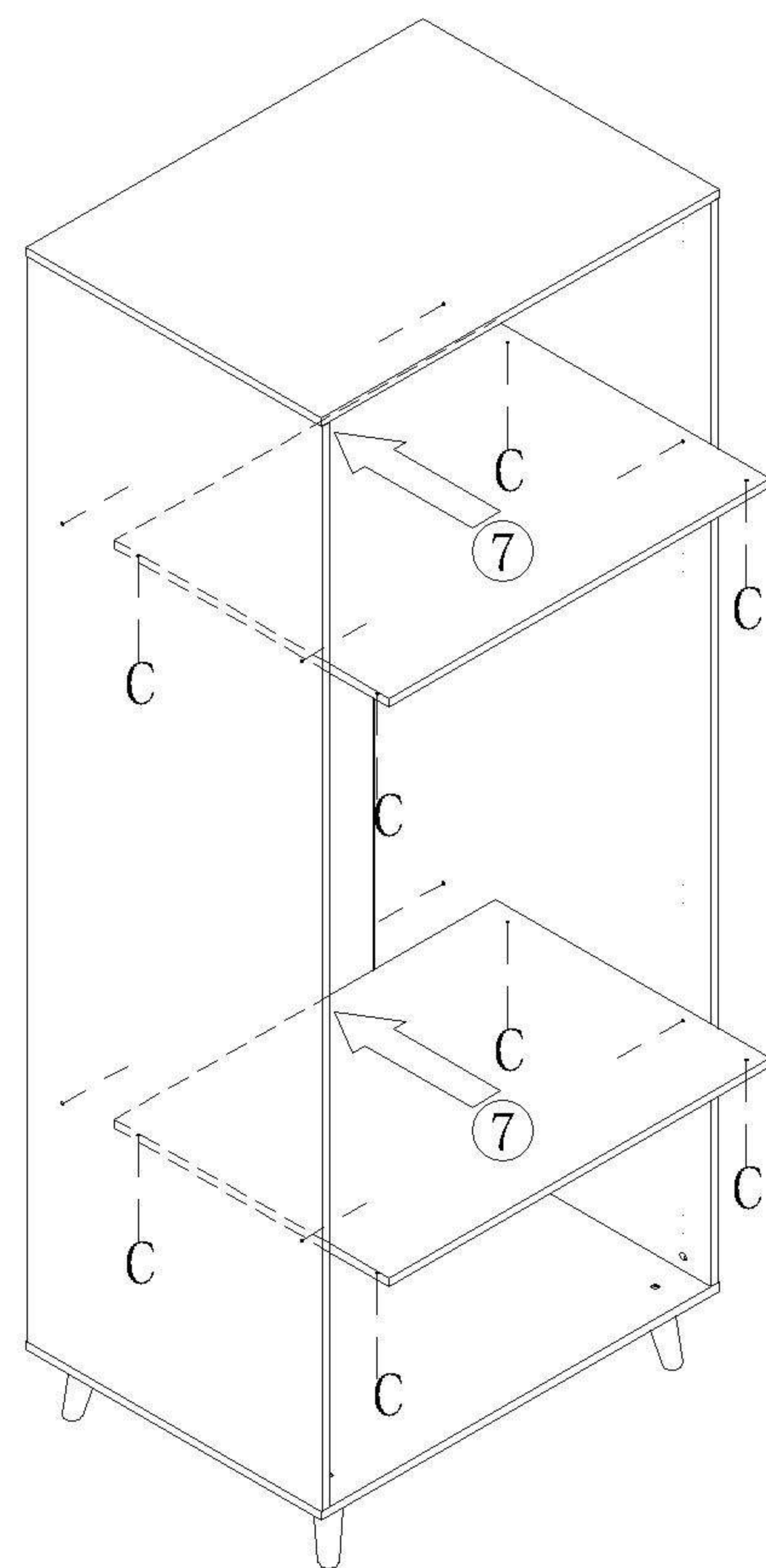
Installation method



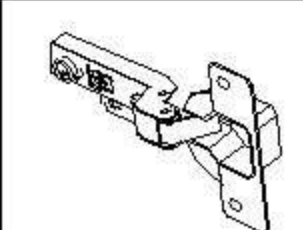
门铰Hinge



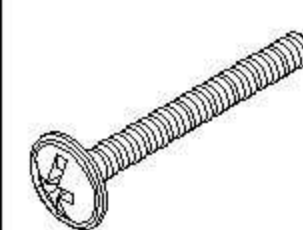
(C)*8



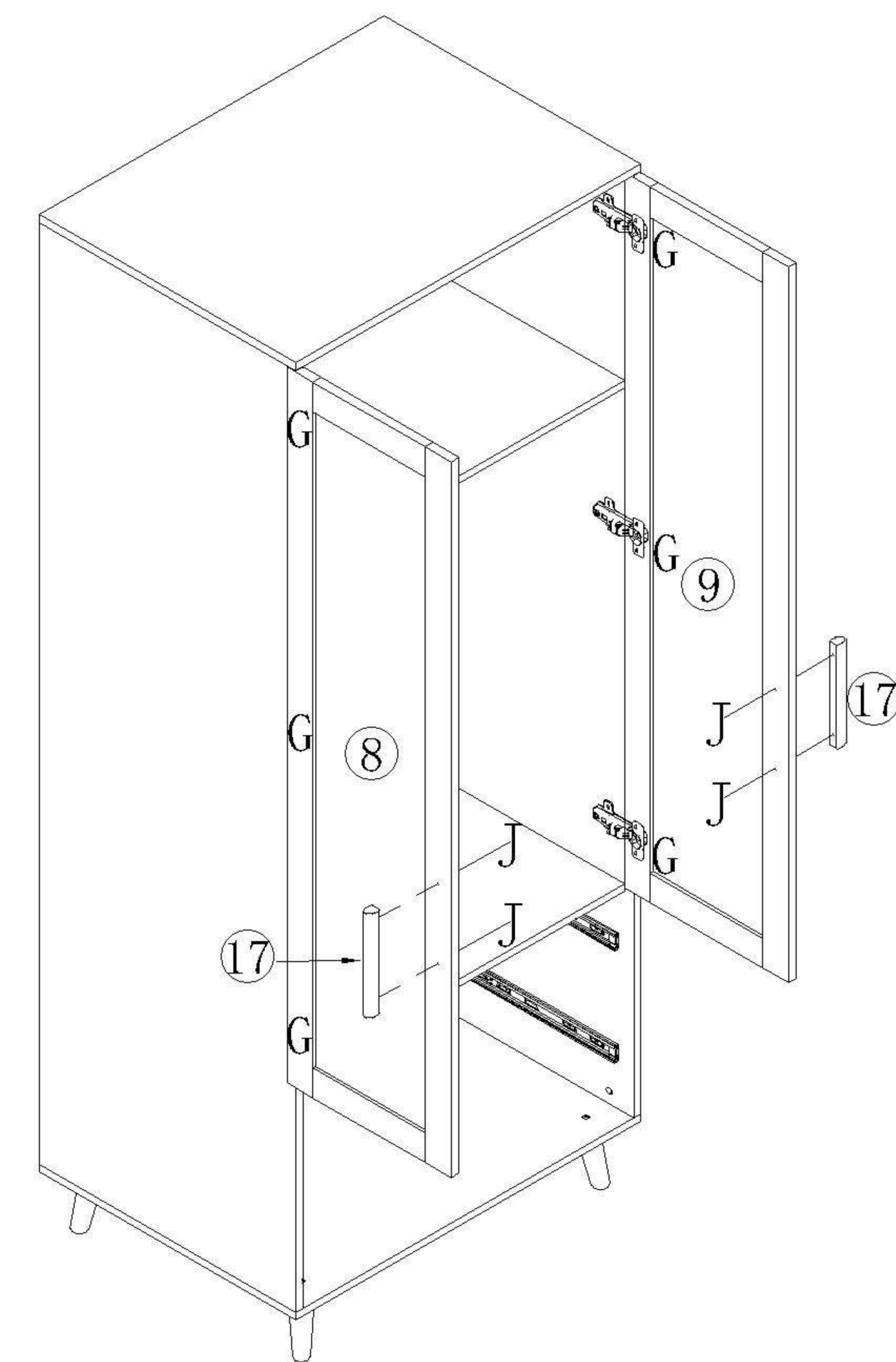
9



(G)*6

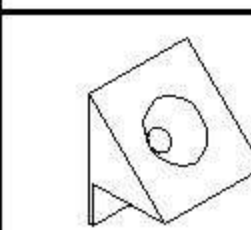


(J)*4

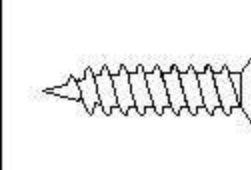


10

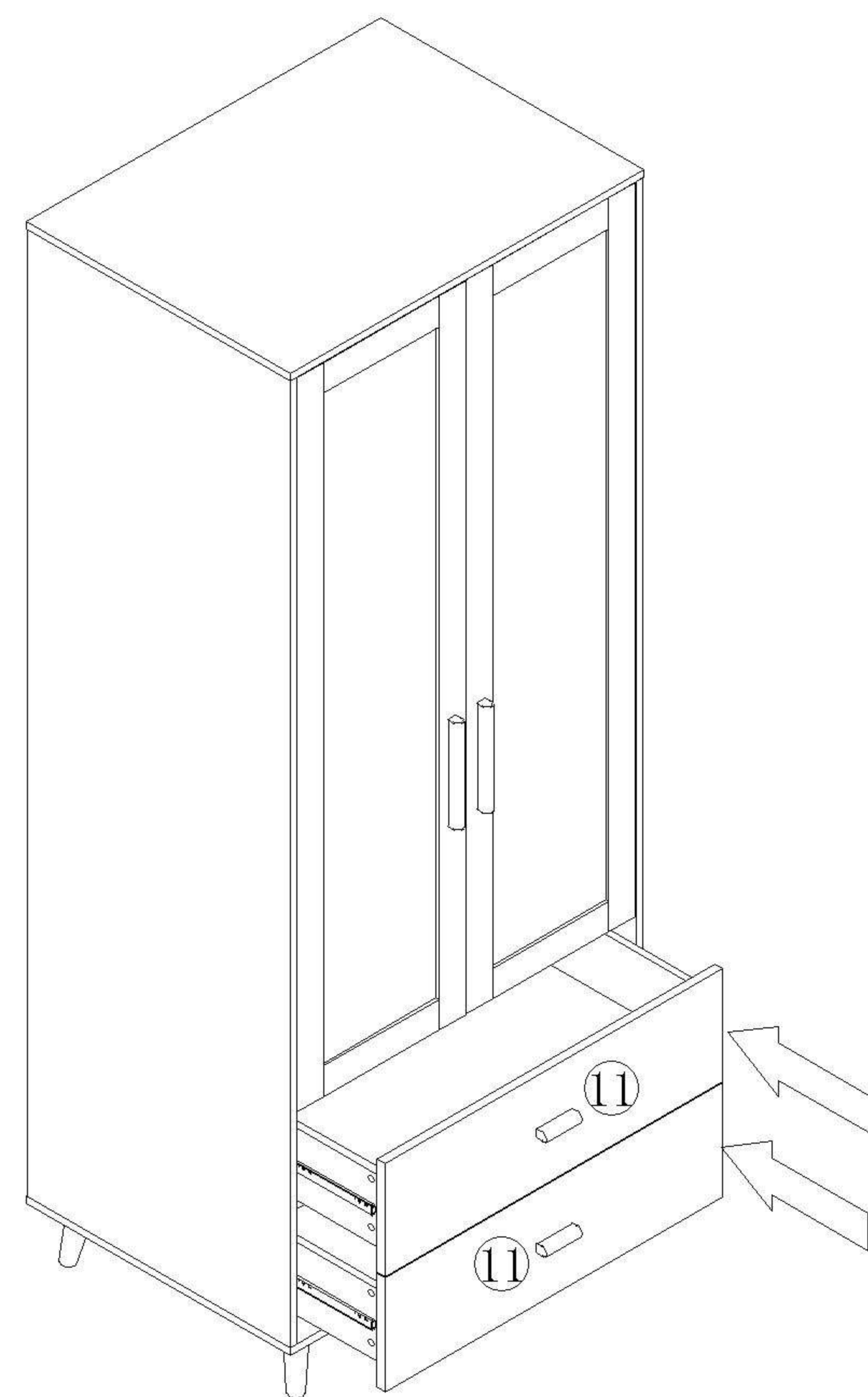
11



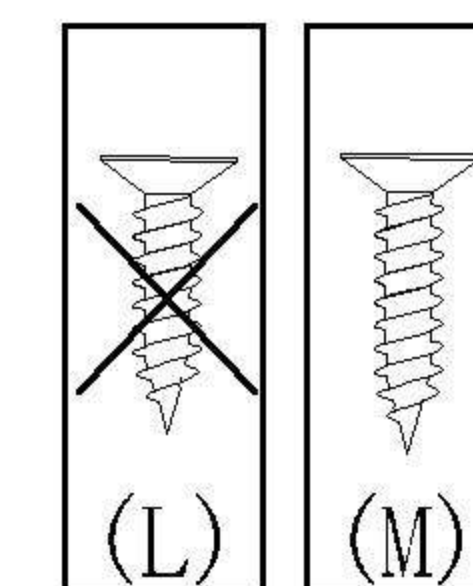
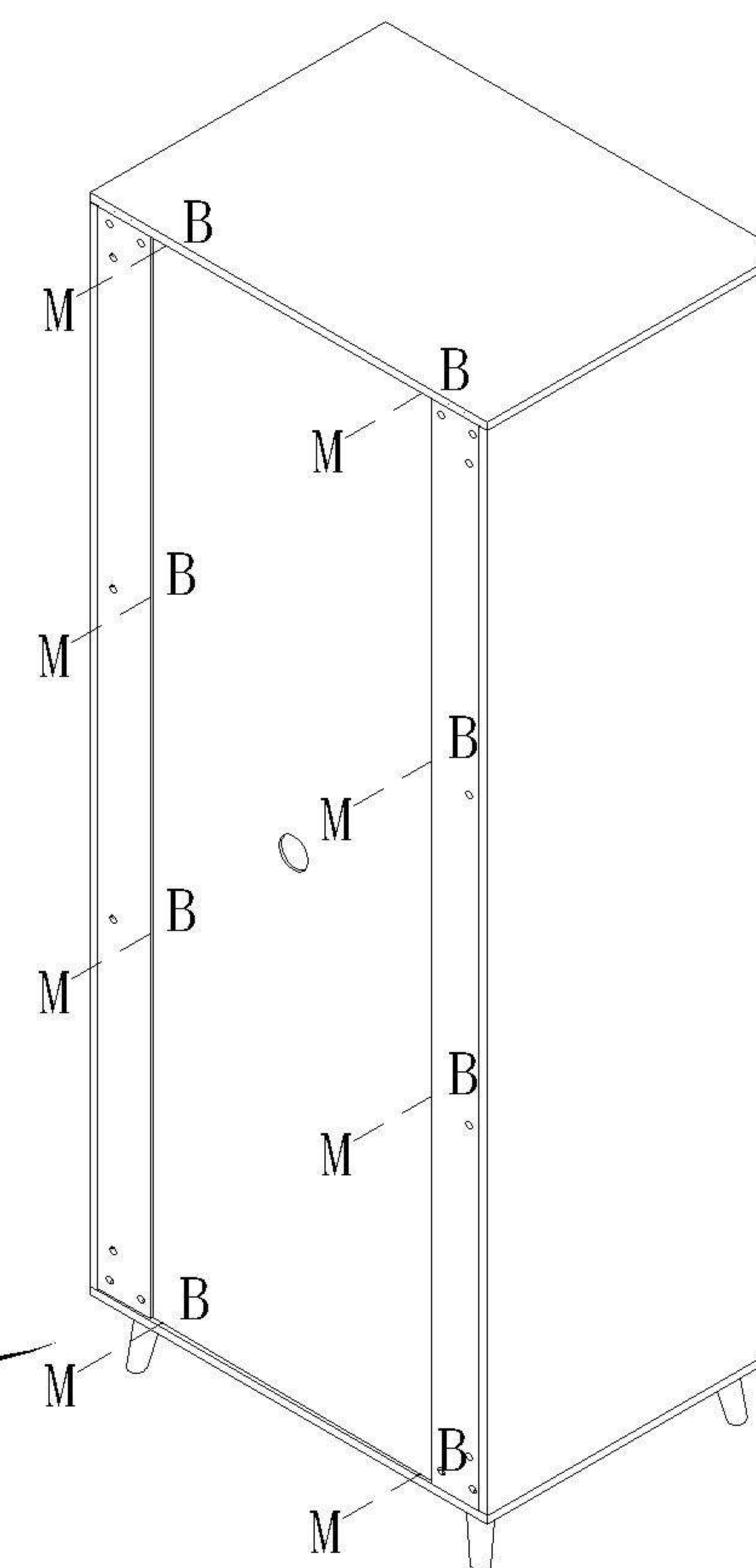
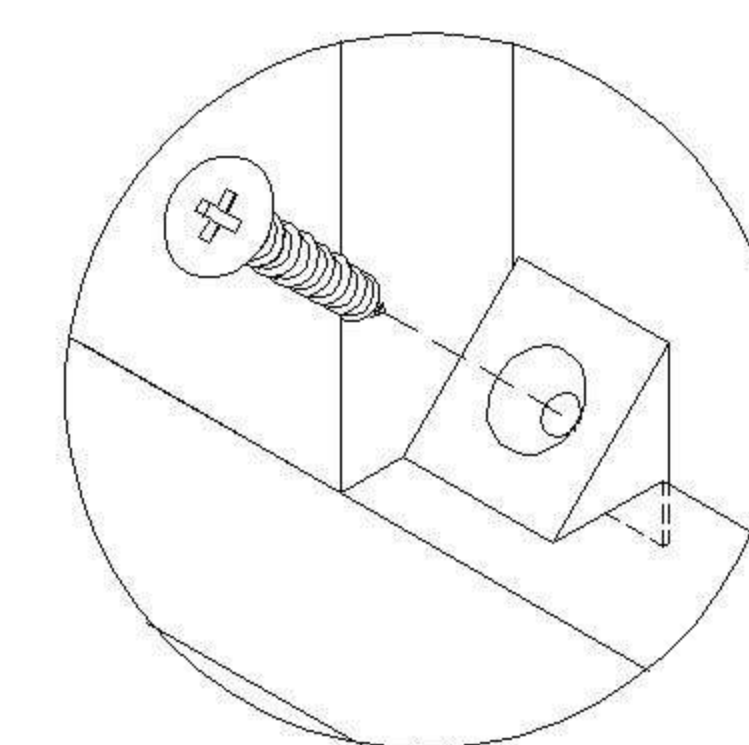
(B)*8

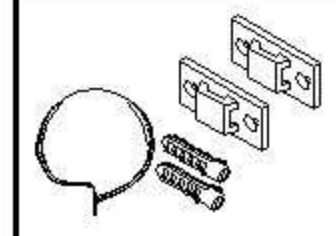


(M)*8



12





(E)*2

