

MODE

**Eames Replica Lounge Chair with
ottoman**



Assembly Instructions





MODE



MODE

Parts List

Label	Picture	Description	QTY
1		Chair	1
2		Five Star Metal base	1

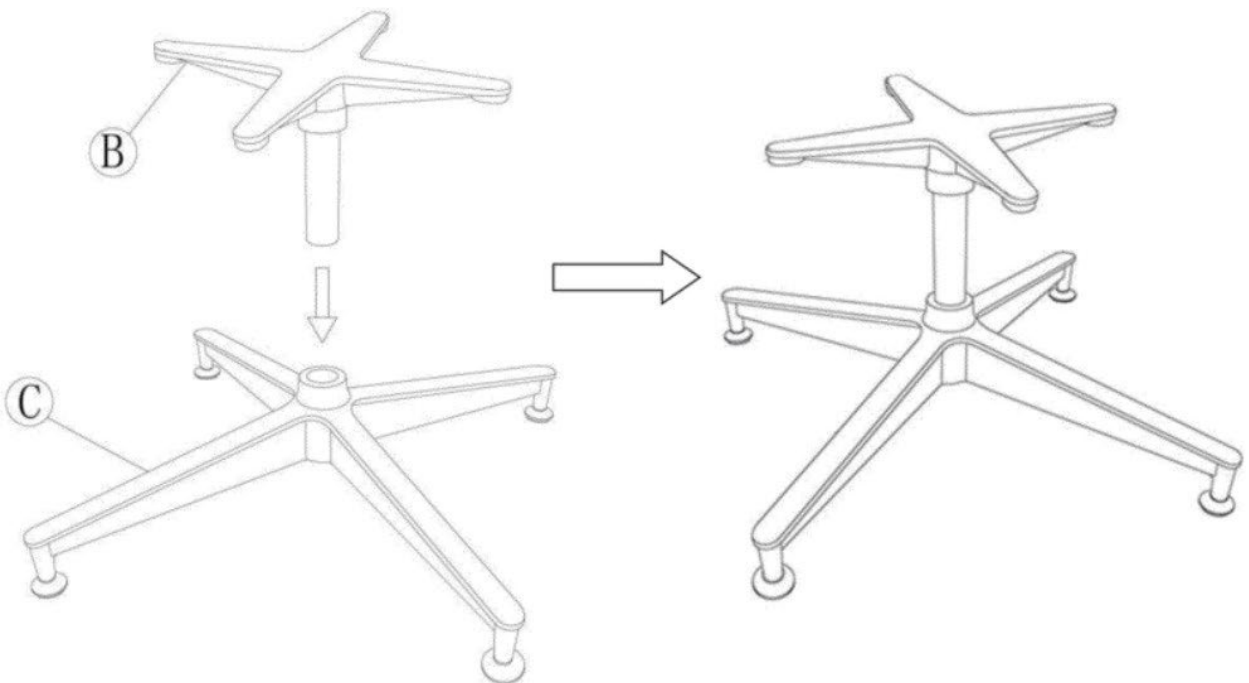
Label	Picture	Description	QTY
A		Chair	1
B		Chair Base	1
C		Metal Leg	1
I		Chair Washer + Phillips head screw- $\varnothing 6 \times 25 \text{mm}$	6

MODE

Label	Picture	Description	QTY
D		Chair Arm	2

Assembly Instructions

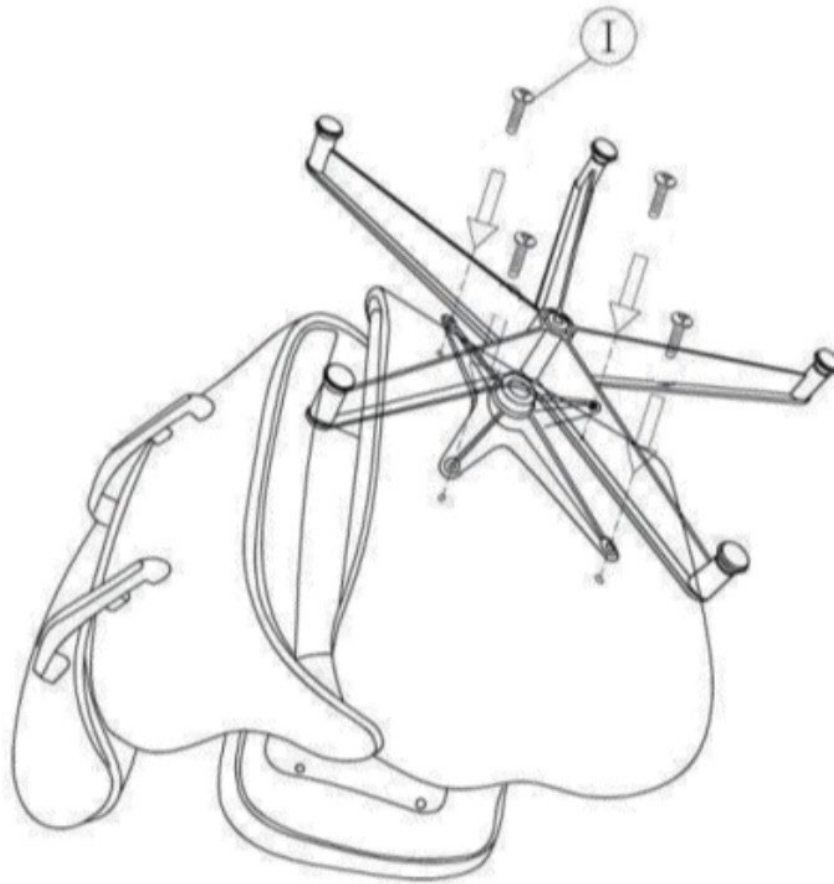
Step 1



Assemble the Chair Base (B) and Metal Leg (C) as shown. That's part ②.

MODE

Step 2





Assemble part ① and ② as shown , by using Chair Washer + Phillips head screw- \varnothing 6*25mm(l).Then finished



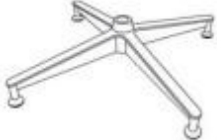

MODE



MODE

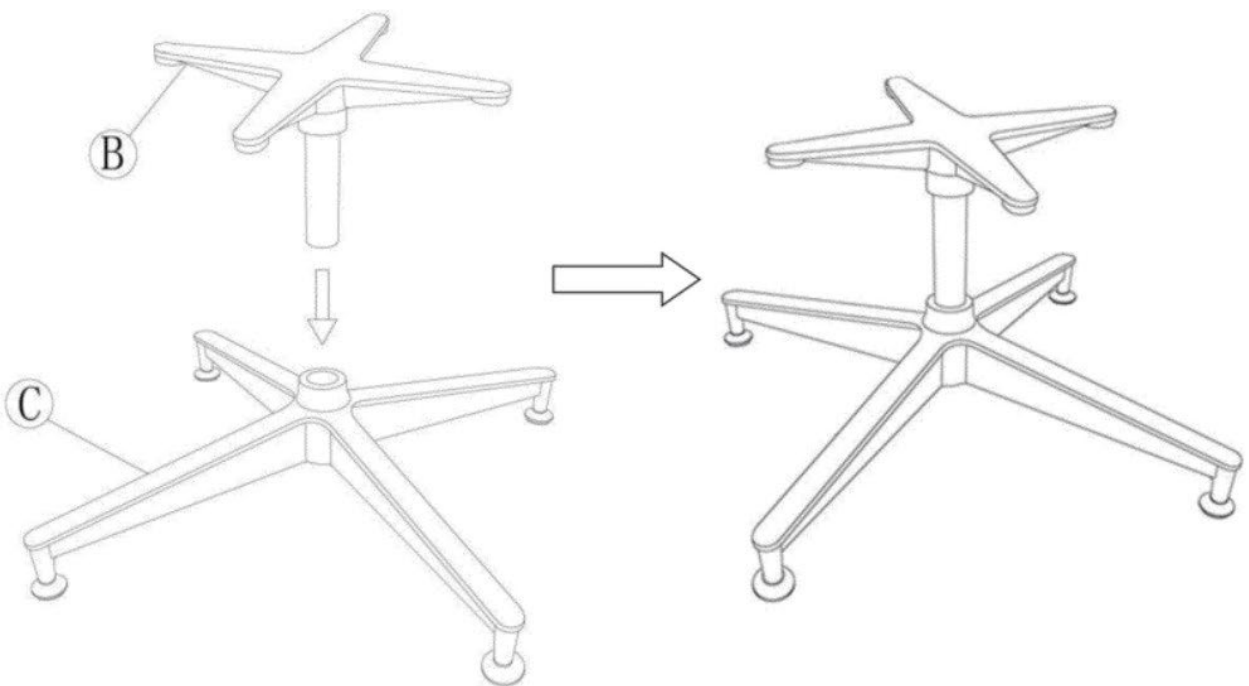
Parts List

Label	Picture	Description	QTY
1		Ottoman cushion	1
2		Four Star Metal base	1

Label	Picture	Description	QTY
A		Ottoman cushion	1
B		Chair Base	1
C		Metal Leg	1
I		Chair Washer + Phillips head screw- $\varnothing 6*25\text{mm}$	4

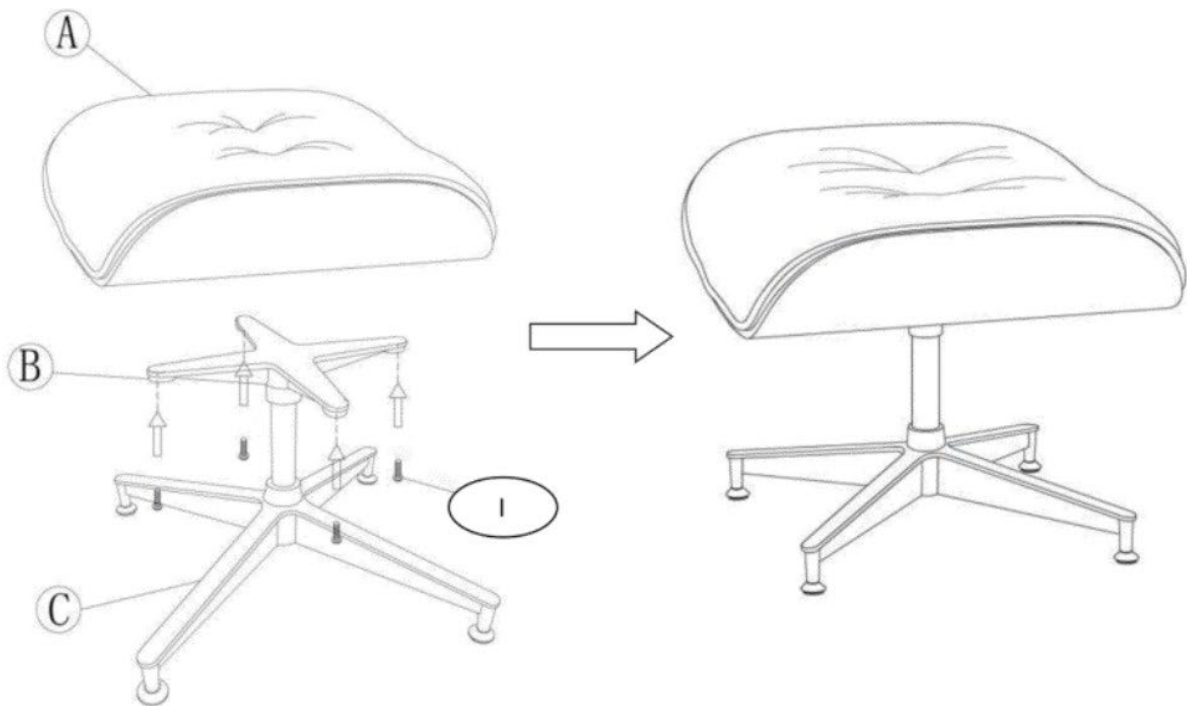
Assembly Instructions

Step 1



Assemble the Chair Base (B) and Metal Leg (C) as shown. That's part ②.

Step 2



Assemble part ① and ② as shown , by using Chair Washer + Phillips head screw- \varnothing 6*25mm(l).Then finished