

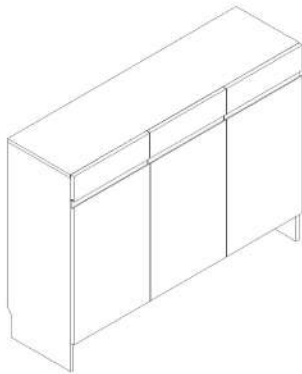
LINSY 林氏家居		五金表/Hardware list				部件表/Parts List				
安装示意图/Assembly Instruction						编号NO.	名称Name	规格Specification	数量Qty	材质Material
产品名称 Model NO.	TV2N-A	(A)*15 背板扣 Back Panel Buckle	(B)*36 二合一螺杆 2-in-1 screw	(C)*36 大三合一锁饼 3-in-1 large lock	(D)*13 小三合一锁饼 3-in-1 small lock	1	面板Top panel	1200*330*15	1	三胺板 Melamine
产品规格 Specification	1200*348*897MM	(E)*13 小二合一杆 2-in-1 small rod	(F)*6 直角缓冲门铰 Straight bend hinge	(G)*4 自攻螺丝M4*25 Self-tapping screw	(H)*13 塑料螺母 Plastic Nut	2	右侧板Side board (R)	879*330*15	1	三胺板 Melamine
安装工具 Tool	安装人数 Installer	(I)*13 自攻螺丝M4*40 Self-tapping screw	(J)*38 自攻螺丝M3.5*12 Self-tapping screw	(K)*15 自攻螺丝M3.5*16 Self-tapping screw	(L)*17 木榫-Φ8*30 Wood tenon	3	左侧板Side board (L)	879*330*15	1	三胺板 Melamine
		(M)*3 三节滚珠导轨10" Three-section rail	(N)*8 灰色毛毡垫 Foot pad	(O)*2 棕色夹板条 Brown splint strip	(P)*16 层板托5mm shelf support	4	中侧板Middle side board	603*309*15	1	三胺板 Melamine
		(Q)*2 家具防倒器白色 Anti-fall device	(R)*3 透气孔盖 Breathable cover			5	底板Bottom board	1168*330*15	1	三胺板 Melamine
						6	层板Shelf	1168*309*15	1	三胺板 Melamine
						7	左中侧板Middle side board (L)	309*116*15	1	三胺板 Melamine
						8	右中侧板Middle side board (R)	309*116*15	1	三胺板 Melamine
						9	导轨垫条Rail cushion strip	290*116*18	2	三胺板 Melamine
						10	活动层板Movable shelf	767*296*15	3	三胺板 Melamine
						11	短活动层板short shelf	384*296*15	1	三胺板 Melamine
						12	背板Back board	744*392*5	3	三胺板 Melamine
						13	后脚条back foot strip	1168*130*15	1	三胺板 Melamine
						14	抽屉左侧板Drawer's side board (L)	295*78*12	3	三胺板 Melamine
					15	抽屉右侧板Drawer's side board (R)	295*78*12	3	三胺板 Melamine	
					16	抽屉后板Drawer's Back board	317*78*12	3	三胺板 Melamine	
					17	抽屉底板Drawer's Bottom board	327*291*5	3	三胺板 Melamine	
					18	中脚条Middle foot strip	171*130*15	1	三胺板 Melamine	
					19	左门板Door board (L)	626*398*18	1	三胺板 Melamine	
					20	右门板Door board (R)	626*398*18	2	三胺板 Melamine	
					21	抽屉面板 Drawer's top panel	398*136*18	3	三胺板 Melamine	

TV2N-A

安装方法

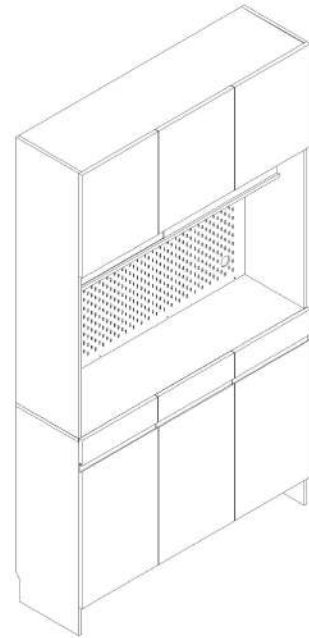
Installation method

TV2N-A 三门鞋柜
TV3N-A three door shoe cabinet

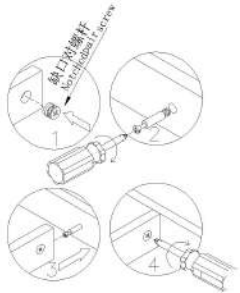
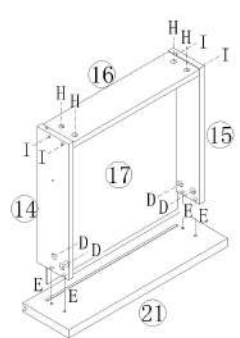
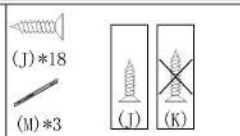
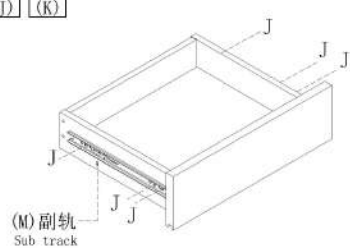
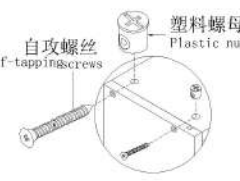
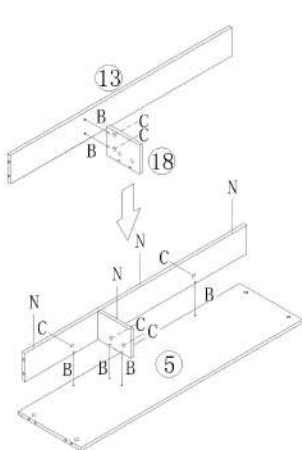
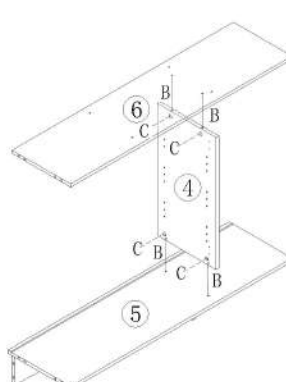
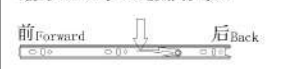

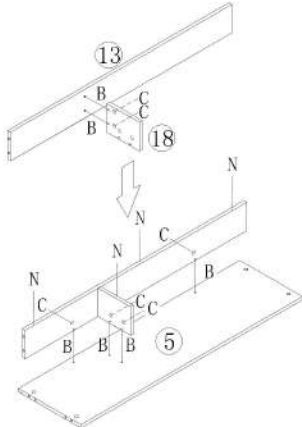
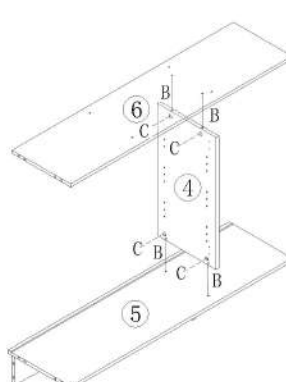


尺寸: 1200*348*897mm

TV3N-A 三门高柜鞋柜
TV3N-A three door high cabinet shoe cabinet



尺寸: 1200*348*2100mm

<p>TV2N-A</p> <p>安装方法/ Installation method</p>  <p>二合一/2 in 1</p>	 <p>(D)*12 (E)*12 (H)*12 (I)*12</p> <p>(D) (C) (E) (B)</p>	<p>1</p>  <p>(J)*18 (M)*3</p> <p>(J) (K)</p>  <p>(M) 副轨 Sub track</p> <p>X3</p> <p>2</p>
<p>自攻螺丝 Self-tapping screws</p> <p>塑料螺母 Plastic nut</p>  <p>塑料螺母 Plastic nut</p>	 <p>(B)*6 (C)*6 (N)*4</p>	<p>3</p>  <p>(B)*4 (C)*4</p> <p>4</p>
<p>阀门开关(下压为开) Valve switch (press down to open)</p> <p>前 Forward 后 Back</p>  <p>主轨 Main track</p>  <p>副轨 Sub track</p> <p>三节滚珠导轨-10° Three Section Ball Guide-10°</p>		

<p>TV2N-A</p> <p>安装方法/ Installation method</p> <p>背板扣 Back Plate Buckle-White</p>	<p>(B)*12 (C)*12 (L)*8 (N)*4</p>	<p>5</p> <p>(B)*4 (C)*4 (G)*4</p> <p>6</p>
<p>二合一/2 in 1</p>	<p>(B)*8 (C)*8 (L)*8 (R)*3 (O)*2</p>	<p>7</p> <p>(A)*14 (K)*14</p> <p>8</p>

