



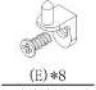

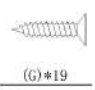
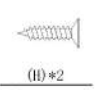




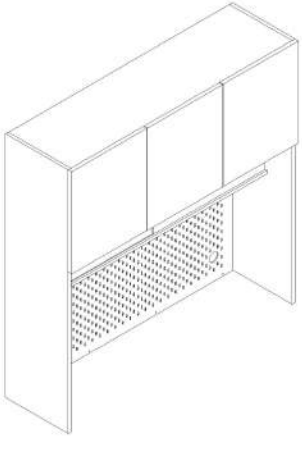

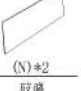



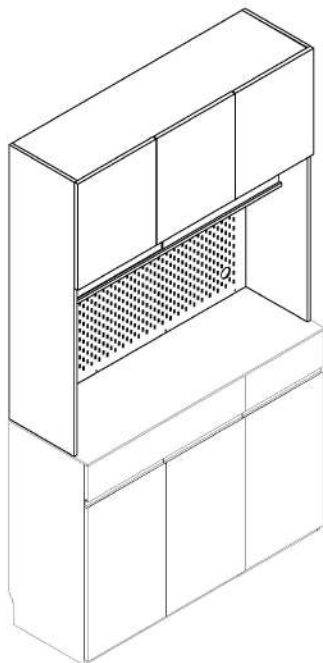
LINSY 林氏家居		五金表/Hardware list				部件表/Parts List					
安装示意图/Assembly Instruction						编号NO.	名称Name	规格(mm) Specification	数量TV	材质Material	
产品名称 Model NO.	TV1T-A	 (A)*32 二合一螺杆 2-in-1-screw	 (B)*32 大三合一锁扣 3-in-1 large lock	 (C)*17 木榫88x30mm Wood tenon	 (D)*4 缓冲门较直弯-杯035 Straight bend hinge	①	右侧板Side board (R)	1203*330*15	1	三胺板 Melamine	
产品规格 Specification	1196*330*1203mm	 (E)*8 层板托5mm shelf support	 (F)*11 背板扣 White buckle	 (G)*19 白攻螺丝M3, 5*16mm tapping screw	 (H)*2 白攻螺丝M3, 5*12mm tapping screw	②	左侧板Side board (L)	1203*330*15	1	三胺板 Melamine	
安装工具 Tool	安装人数Installer	 (I)*2 缓冲门较中弯-杯035 Middle bend hinge	 (J)*2 铁床条 Iron bed strip	 (K)*8 白攻大扁钉*16mm Flat head tapping screw	 (L)*1 插座 Socket	③	中侧板Middle side board	418*309*15	1	三胺板 Melamine	
		 (O)*1 夹板条 Splint strip	 (N)*2 玻璃 Glass	 (Q)*1 家具防倒器-白色 Anti-fall device		④	中隔板Middle clapboard	198*150*15	1	三胺板 Melamine	
						⑤	顶板Top board	1166*330*15	1	三胺板 Melamine	
							⑥	中层板Middle shelf	1166*309*25	1	三胺板 Melamine
							⑦	下层板Lower shelf	1166*200*15	1	三胺板 Melamine
							⑧	上拉条Top brace	1166*95*15	1	三胺板 Melamine
							⑨	下拉条Bottom brace	1166*58*15	1	三胺板 Melamine
							⑩	背板Back board	1176*325*5	2	三胺板 Melamine
							⑪	活动层板Movable shelf	774*296*15	1	三胺板 Melamine
							⑫	短活动层板	375*296*15	1	三胺板 Melamine
							⑬	门板Door board	466*397*18	3	三胺板 Melamine
							⑭	饰板 plaque	1164*455*4.8	1	碳晶板 Carbon crystal plate
							⑮				
							⑯				
						⑰					
						⑱					
						⑲					
						⑳					
						㉑					
						㉒					
						㉓					
						㉔					
						㉕					

TV1T-A

安装方法

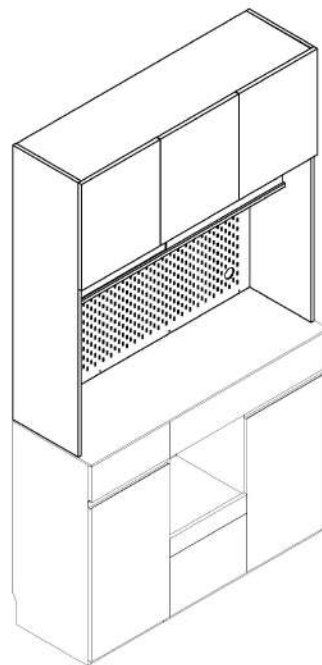
Installation method

TV1T-A 三门餐边高柜  
TV1T-A Three door dining side high cabinet

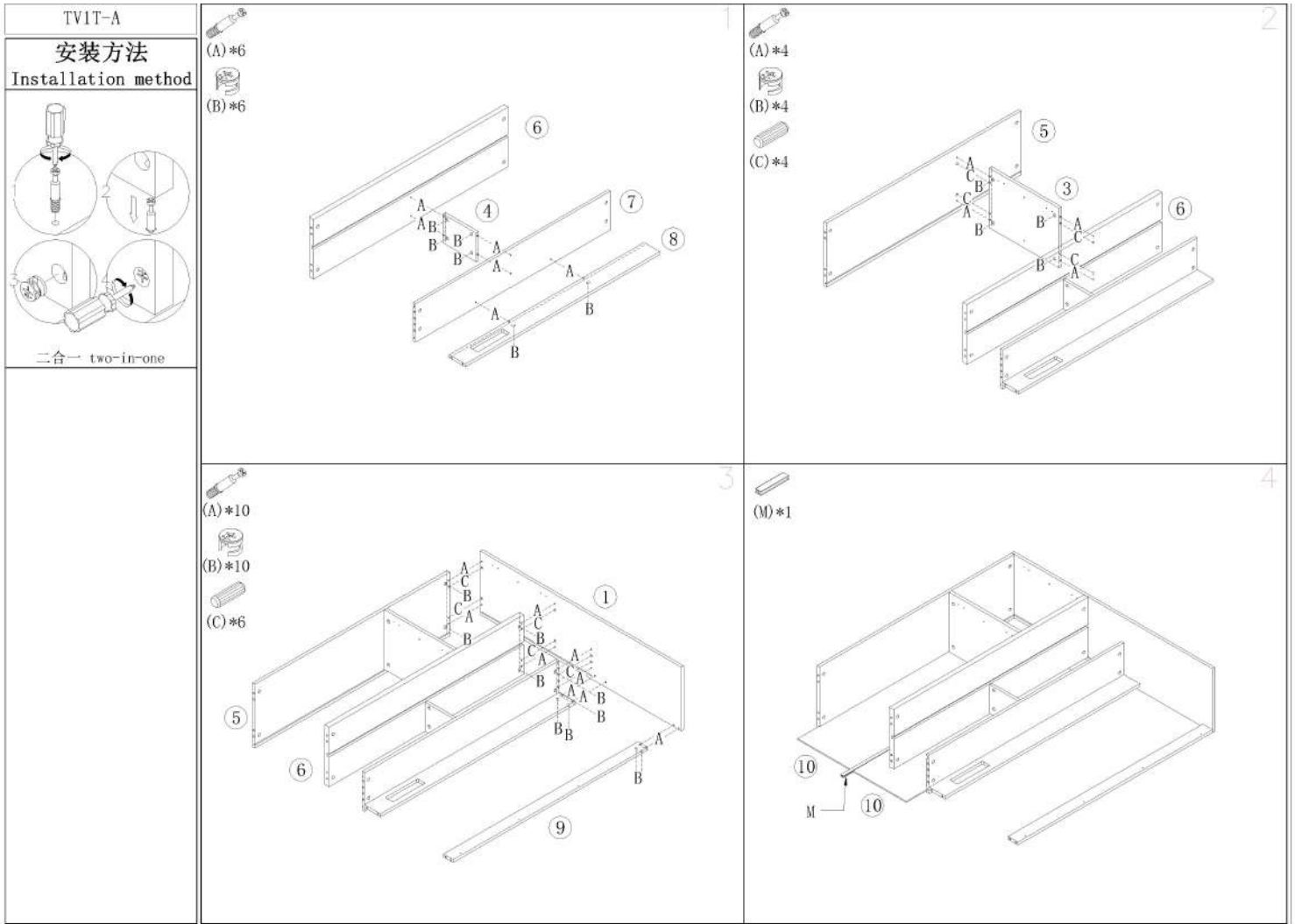



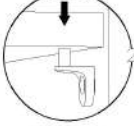

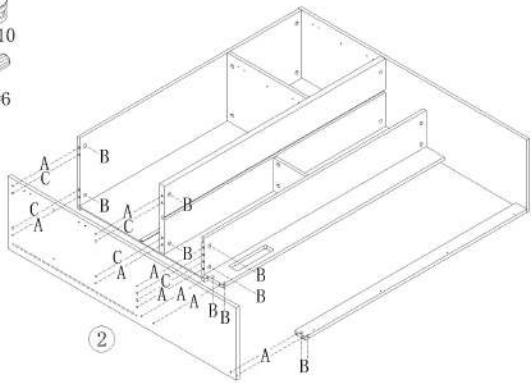
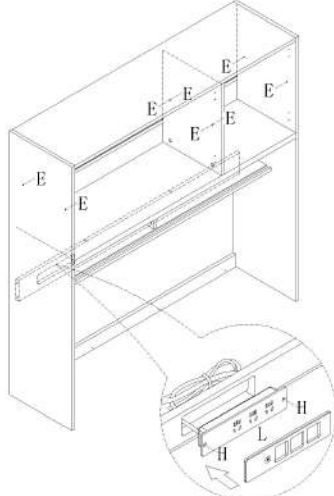
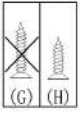
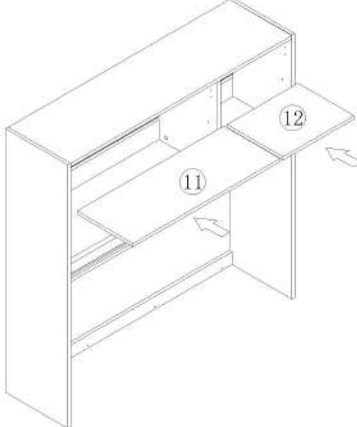
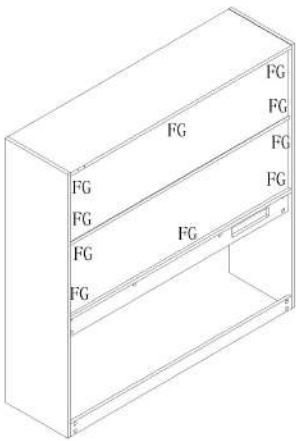
尺寸: 1200\*400\*2100mm

TV2T-A 三门餐边高柜  
TV1T-A Three door dining side high cabinet



尺寸: 1200\*400\*2100mm



<p>TV1T-A</p> <p><b>安装方法</b> Installation method</p>  <p>侧板 Side plate</p>  <p>层板托5mm shelf support</p>  <p>背板扣 Back Plate Buckle</p>	<p>②</p>  <p>(A)*10 (B)*10 (C)*6</p>	<p>5</p>  <p>(E)*8 (H)*2 (L)*1</p>  <p>(G) (H)</p>
<p>7</p>  <p>⑪ ⑫</p>	<p>8</p>  <p>(F)*10 (G)*10</p>	

TV1T-A

**安装方法**  
Installation method

大弯big bend

中弯middle bending

直弯straight bending

侧板 side board

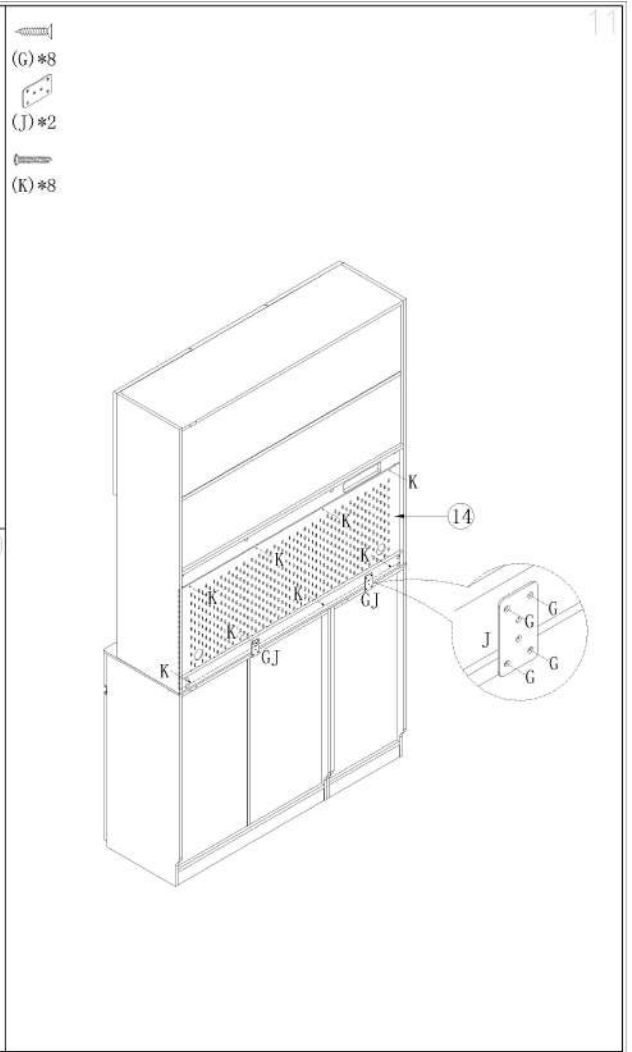
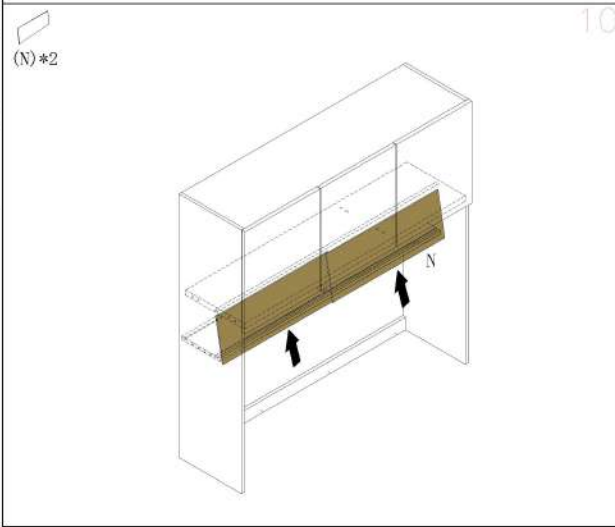
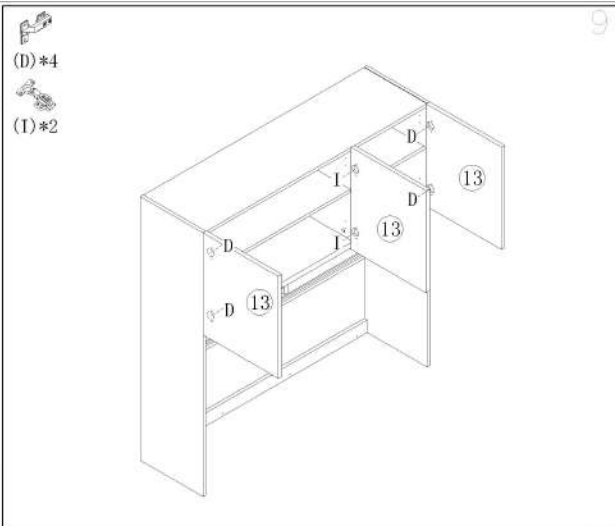
门板 door panel

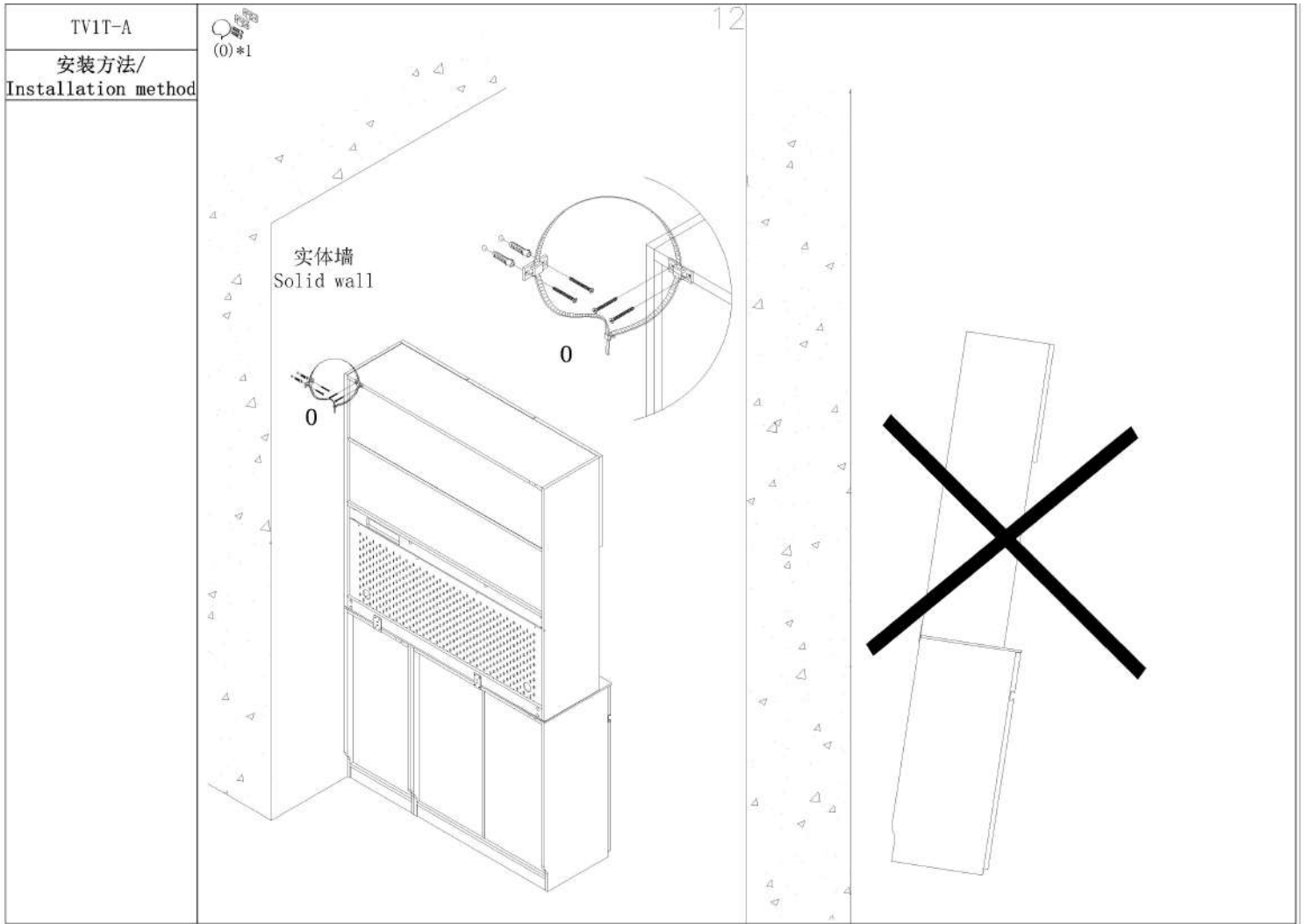
调节上下 Adjust up and down

调节左右 Adjust left and right

调节前后 Before and after adjustment

门铰Hinge





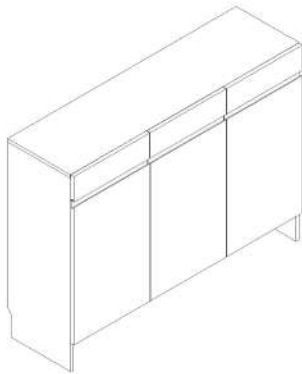
LINSY 林氏家居		五金表/Hardware list				部件表/Parts List				
安装示意图/Assembly Instruction						编号NO.	名称Name	规格Specification	数量Qty	材质Material
产品名称 Model NO.	TV2N-A	(A)*15 背板扣 Back Panel Buckle	(B)*36 二合一螺杆 2-in-1 screw	(C)*36 大三合一锁饼 3-in-1 large lock	(D)*13 小三合一锁饼 3-in-1 small lock	1	面板Top panel	1200*330*15	1	三胺板 Melamine
产品规格 Specification	1200*348*897MM	(E)*13 小二合一杆 2-in-1 small rod	(F)*6 直角缓冲门铰 Straight bend hinge	(G)*4 自攻螺丝M4*25 Self-tapping screw	(H)*13 塑料螺母 Plastic Nut	2	右侧板Side board (R)	879*330*15	1	三胺板 Melamine
安装工具 Tool	安装人数 Installer	(I)*13 自攻螺丝M4*40 Self-tapping screw	(J)*38 自攻螺丝M3.5*12 Self-tapping screw	(K)*15 自攻螺丝M3.5*16 Self-tapping screw	(L)*17 木榫-Φ8*30 Wood tenon	3	左侧板Side board (L)	879*330*15	1	三胺板 Melamine
		(M)*3 三节滚珠导轨10" Three-section rail	(N)*8 灰色毛毡垫 Foot pad	(O)*2 棕色夹板条 Brown splint strip	(P)*16 层板托5mm shelf support	4	中侧板Middle side board	603*309*15	1	三胺板 Melamine
		(Q)*2 家具防倒器白色 Anti-fall device	(R)*3 透气孔盖 Breathable cover			5	底板Bottom board	1168*330*15	1	三胺板 Melamine
						6	层板Shelf	1168*309*15	1	三胺板 Melamine
						7	左中侧板Middle side board (L)	309*116*15	1	三胺板 Melamine
						8	右中侧板Middle side board (R)	309*116*15	1	三胺板 Melamine
						9	导轨垫条Rail cushion strip	290*116*18	2	三胺板 Melamine
						10	活动层板Movable shelf	767*296*15	3	三胺板 Melamine
						11	短活动层板short shelf	384*296*15	1	三胺板 Melamine
						12	背板Back board	744*392*5	3	三胺板 Melamine
						13	后脚条back foot strip	1168*130*15	1	三胺板 Melamine
						14	抽屉左侧板Drawer's side board (L)	295*78*12	3	三胺板 Melamine
					15	抽屉右侧板Drawer's side board (R)	295*78*12	3	三胺板 Melamine	
					16	抽屉后板Drawer's Back board	317*78*12	3	三胺板 Melamine	
					17	抽屉底板Drawer's Bottom board	327*291*5	3	三胺板 Melamine	
					18	中脚条Middle foot strip	171*130*15	1	三胺板 Melamine	
					19	左门板Door board (L)	626*398*18	1	三胺板 Melamine	
					20	右门板Door board (R)	626*398*18	2	三胺板 Melamine	
					21	抽屉面板 Drawer's top panel	398*136*18	3	三胺板 Melamine	

TV2N-A

安装方法

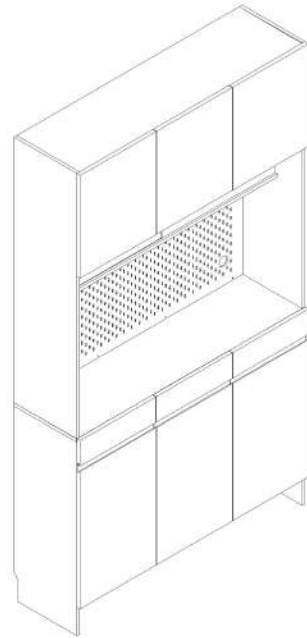
Installation method

TV2N-A 三门鞋柜  
TV3N-A three door shoe cabinet

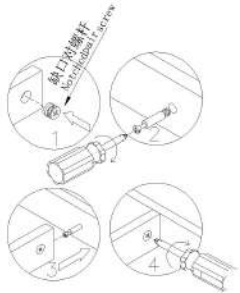
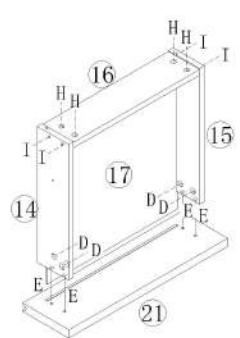
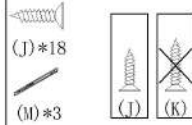
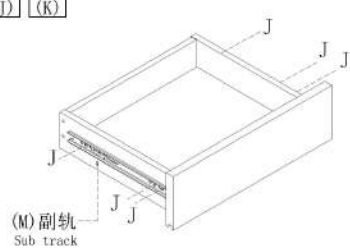
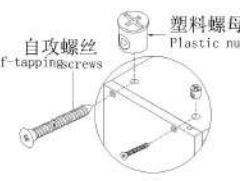
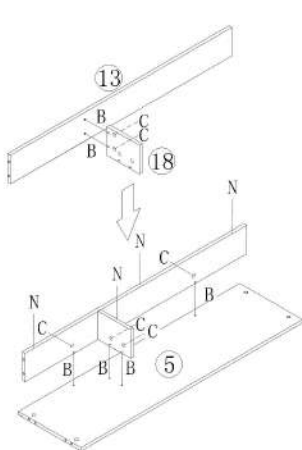
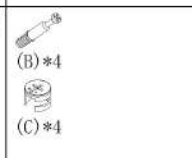
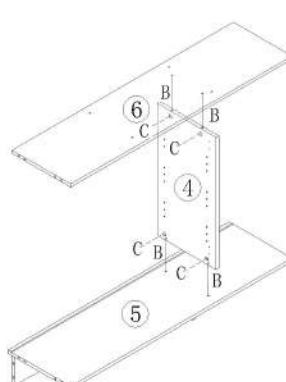
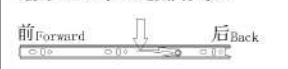

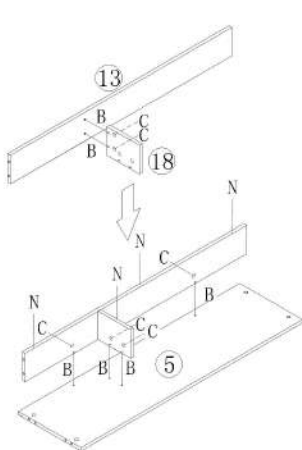
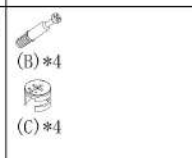
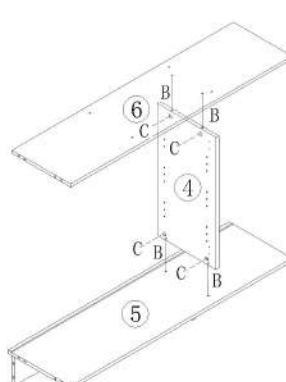


尺寸: 1200\*348\*897mm

TV3N-A 三门高柜鞋柜  
TV3N-A three door high cabinet shoe cabinet



尺寸: 1200\*348\*2100mm

<p>TV2N-A</p> <p><b>安装方法/</b> <b>Installation method</b></p>  <p>自攻螺丝 Self-tapping screws</p> <p>塑料螺母 Plastic nut</p> <p>二合一/2 in 1</p>	 <p>(D)*12 (E)*12 (H)*12 (I)*12</p> <p>(D) (C) (E) (B)</p> <p><b>X3</b></p>	<p>1</p>  <p>(J)*18 (M)*3</p>  <p>(M) 副轨 Sub track</p> <p><b>X3</b></p> <p>2</p>
<p>自攻螺丝 Self-tapping screws</p> <p>塑料螺母 Plastic nut</p>  <p>塑料螺母Plastic nut</p>	 <p>(B)*6 (C)*6 (N)*4</p> <p><b>X3</b></p>	<p>3</p>  <p>(B)*4 (C)*4</p>  <p><b>X3</b></p> <p>4</p>
<p>阀门开关(下压为开) Valve switch (press down to open)</p> <p>前 Forward    后 Back</p>  <p>主轨 Main track</p> <p>副轨 Sub track</p>  <p>三节滚珠导轨-10° Three Section Ball Guide-10°</p>	 <p>(B)*6 (C)*6 (N)*4</p> <p><b>X3</b></p>	<p>3</p>  <p>(B)*4 (C)*4</p>  <p><b>X3</b></p> <p>4</p>

<p>TV2N-A</p> <p>安装方法/ Installation method</p> <p>背板扣 Back Plate Buckle-White</p>	<p>(B)*12 (C)*12 (L)*8 (N)*4</p>	<p>5</p> <p>(B)*4 (C)*4 (G)*4</p> <p>6</p>
<p>二合一/2 in 1</p>	<p>(B)*8 (C)*8 (L)*8 (R)*3 (O)*2</p> <p>7</p>	<p>(A)*14 (K)*14</p> <p>8</p>

