

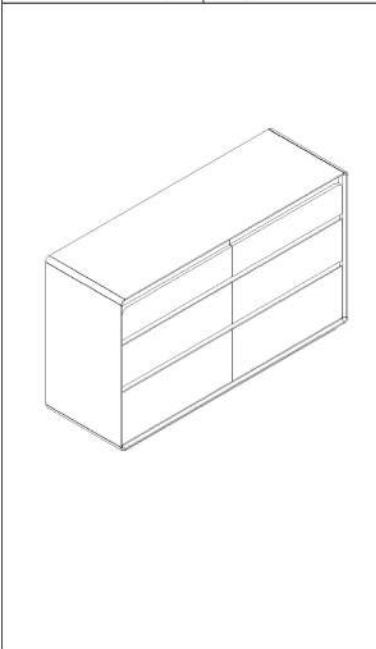


# LINSY 林氏家居

## 安装示意图/Assembly Instruction

产品名称 Model NO.	UM4E-A(六斗柜)
产品规格 Specification	1193*399*715mm
安装工具 Tool	安装人数 Installer
	



## 五金表/Hardware list

(A)* 93 自攻螺丝M3.5x12mm Self-tapping screw	(B)* 19 自攻螺丝M3.5x16mm Self-tapping screw	(C)* 11 自攻螺丝M4x35mm Self-tapping screw	(D)* 13 背板扣 Back Plate Buckle-White
(E)* 6 透明塑料垫片 Plastic gasket	(F)* 1 家具防倒器-白色 Anti-fall device white	(G)* 10 灰色毛毡脚垫 Footrest - Grey	(H)* 6 镜钉 Mirror nail
(I)* 32 二合一螺杆 2-in-1-screw	(J)* 32 大三合一锁饼 Three-in-one large lock	(K)* 21 木榫Ø8x30mm wood tenon	(L)* 25 小二合一杆 small two-in-one rod
(M)* 25 小三合一锁饼 small three-in-one lock	(N)* 25 塑料螺母 Plastic Nut	(O)* 25 自攻螺丝M4x40mm Self-tapping screw	(P)* 8 L型角码14x21x1.5 L-shaped corner code
(Q)* 6 三节滚珠导轨-10° three-section ball rail	(R)* 2 抽面亚克力 Drawing Acrylic	(S)* 4 透气孔盖-白色 Vent cover - white	

▶使用本产品请靠墙放置。

▶Please place this product against the wall.

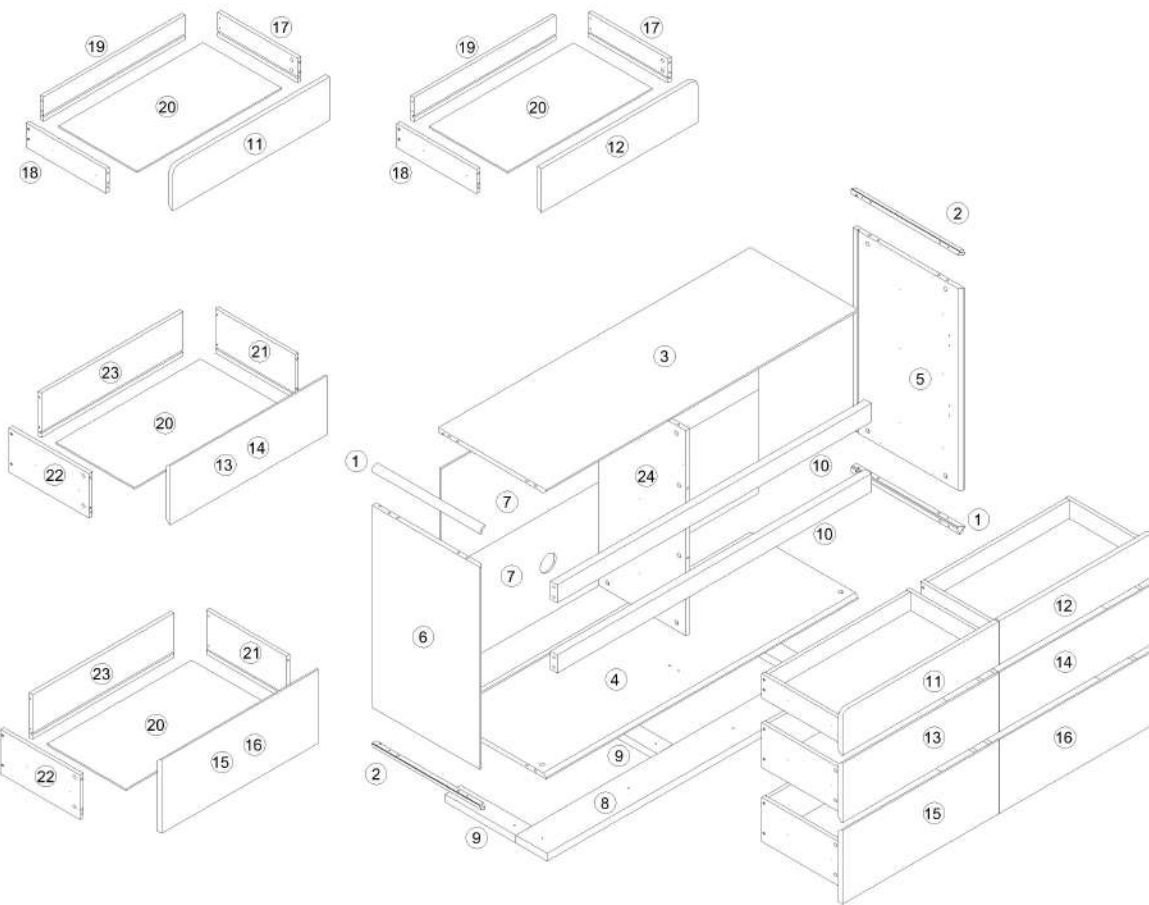
## 部件表/Parts List

编号NO.	名称Name	规格 (mm) Specification	数量 QTY	材质Material
①	转角木/左 Corner wood(L)	399*20*20	2	实木Wood
②	转角木/右 Corner wood(R)	399*20*20	2	实木Wood
③	面板 Top panel	1153*398*15	1	人造板WBP
④	底板 Bottom board	1153*398*15	1	人造板WBP
⑤	右侧板 Side board(R)	647*398*15	1	人造板WBP
⑥	左侧板 Side board(L)	647*398*15	1	人造板WBP
⑦	背板 Back board	1173*333*5	2	人造板WBP
⑧	前脚条 Front foot strip	1104*116*25	1	人造板WBP
⑨	侧脚条 Side foot strip	262*58*25	3	人造板WBP
⑩	前拉条 Front brace	1163*58*25	2	人造板WBP
⑪	左上抽屉面板 Upper left drawer panel	578*140*15	1	人造板WBP
⑫	右上抽屉面板 Upper right drawer panel	578*140*15	1	人造板WBP
⑬	左中抽屉面板 Left middle drawer panel	578*190*15	1	人造板WBP
⑭	右中抽屉面板 Right middle drawer panel	578*190*15	1	人造板WBP
⑮	左下抽屉面板 Lower left drawer panel	578*236*15	1	人造板WBP
⑯	右下抽屉面板 Lower right drawer panel	578*236*15	1	人造板WBP
⑰	上抽屉右侧板 Upper drawer's sideboard(R)	295*78*12	2	人造板WBP
⑱	上抽屉左侧板 Upper drawer's sideboard(L)	295*78*12	2	人造板WBP
⑲	上抽屉后板 Upper drawer's back board	524*78*12	2	人造板WBP
⑳	抽屉底板 Drawer's Bottom board	534*291*5	6	人造板WBP
㉑	下抽屉右侧板 Lower drawer's sideboard(R)	295*142*12	4	人造板WBP
㉒	下抽屉左侧板 Lower drawer's sideboard(L)	295*142*12	4	人造板WBP
㉓	下抽屉后板 Down drawer's back board	524*142*12	4	人造板WBP
㉔	中隔板 Middle clapboard	657*325*15	1	人造板WBP

UM4E-A (六斗柜)

产品分解图/  
exploded drawing

部件表/Parts List



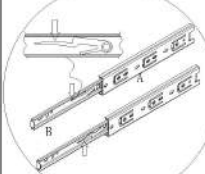
编号NO.	名称Name
①	转角木/左 Corner wood(L)
②	转角木/右 Corner wood(R)
③	面板 Top panel
④	底板 Bottom board
⑤	右侧板 Side board(R)
⑥	左侧板 Side board(L)
⑦	背板 Back board
⑧	前脚条 Front foot strip
⑨	侧脚条 Side foot strip
⑩	前拉条 Front brace
⑪	左上抽屉面板 Upper left drawer panel
⑫	右上抽屉面板 Upper right drawer panel
⑬	左中抽屉面板 Left middle drawer panel
⑭	右中抽屉面板 Right middle drawer panel
⑮	左下抽屉面板 Lower left drawer panel
⑯	右下抽屉面板 Lower right drawer panel
⑰	上抽屉右侧板 Upper drawer's sideboard(R)
⑱	上抽屉左侧板 Upper drawer's sideboard(L)
⑲	上抽屉后板 Upper drawer's back board
⑳	抽屉底板 Drawer's Bottom board
㉑	下抽屉右侧板 Lower drawer's sideboard(R)
㉒	下抽屉左侧板 Lower drawer's sideboard(L)
㉓	下抽屉后板 Down drawer's back board
㉔	中隔板 Middle clapboard

UM4E-A (六斗柜)

安装方法/

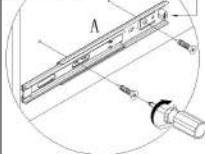
Installation method

1  
阀门开关(下压为开)  
Valve switch  
(press down to open)

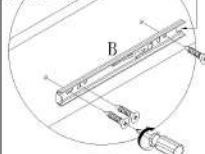


注: 先将A与B拆下来  
Note: remove a and B first

2  
侧板  
side board



3  
抽屉侧板  
sideboard  
of the drawer



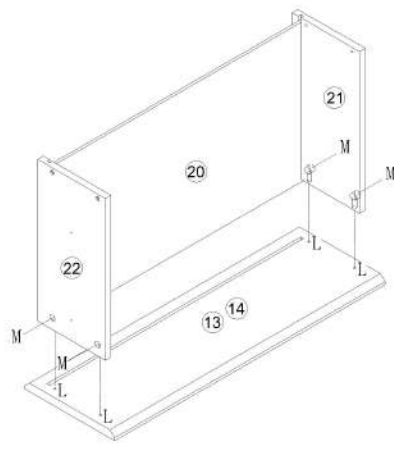
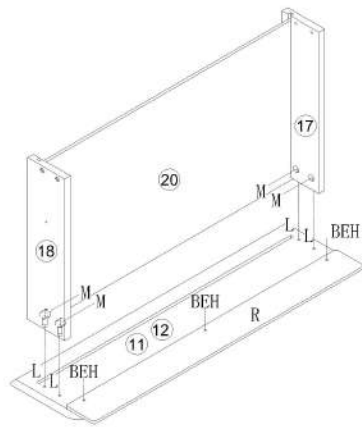
4  
5  
注: 将B对准A后推进去  
Note: align B with a  
and push it in



三节滚珠导轨  
three-section ball rail

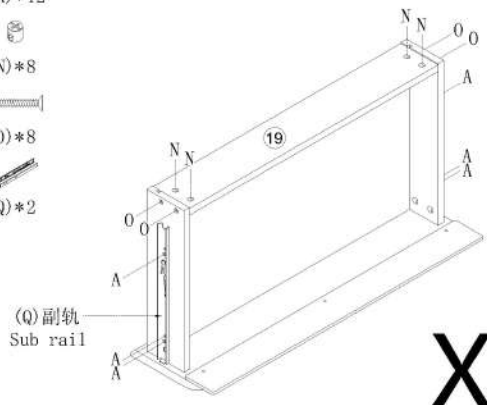
- (B)\*6
- (E)\*6
- (H)\*6
- (R)\*2
- (L)\*8
- (M)\*8

- (L)\*8
- (M)\*8



1

- (A)\*12
- (N)\*8
- (O)\*8
- (Q)\*2



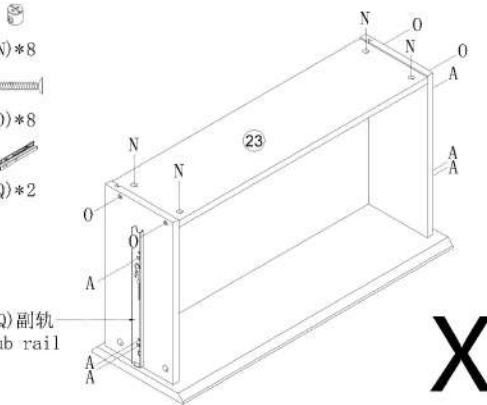
(Q)副轨  
Sub rail

X2

2

3

- (A)\*12
- (N)\*8
- (O)\*8
- (Q)\*2



(Q)副轨  
Sub rail

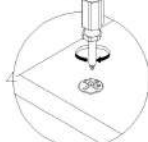
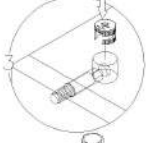
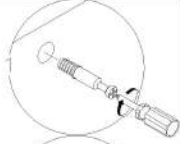
X2

4

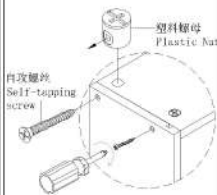
UM4E-A (六斗柜)

安装方法/

Installation method

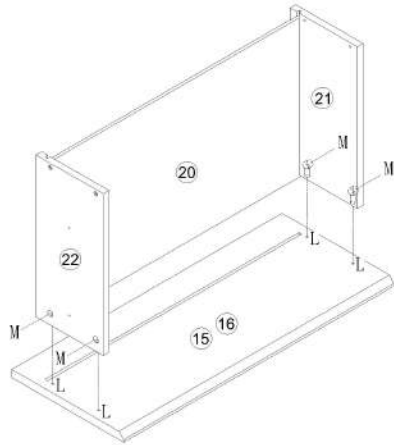


小二合一  
small two-in-one



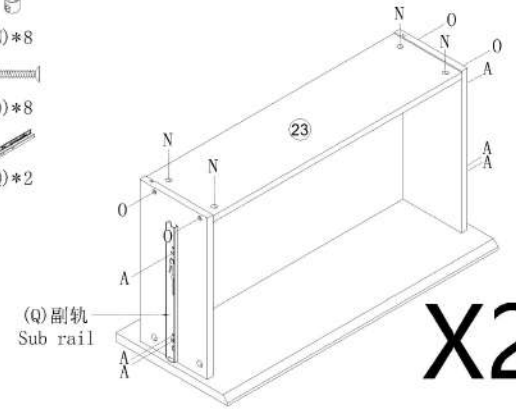
塑料螺母  
Plastic Nut

(L)\*8  
(M)\*8



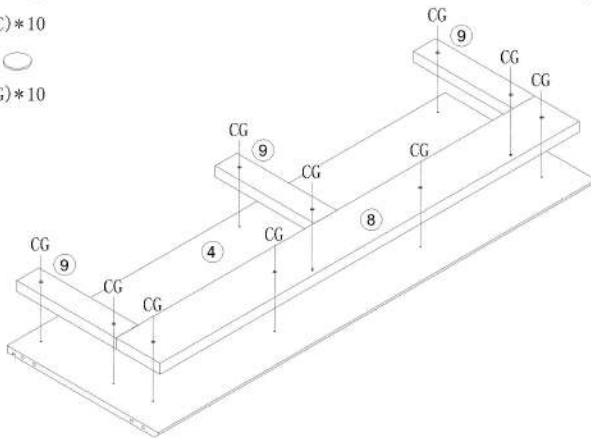
5

(A)\*12  
(N)\*8  
(O)\*8  
(Q)\*2



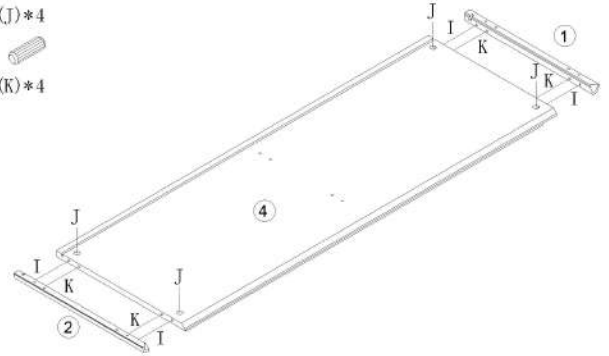
6

(C)\*10  
(G)\*10



7

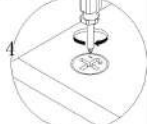
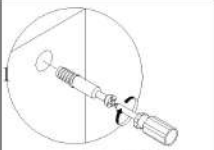
(I)\*4  
(J)\*4  
(K)\*4



8

UM4E-A (六斗柜)

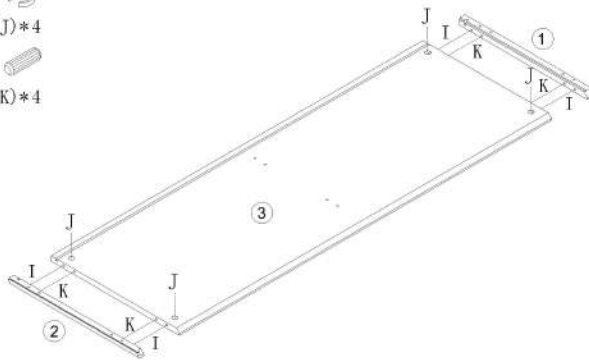
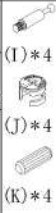
安装方法/  
Installation method



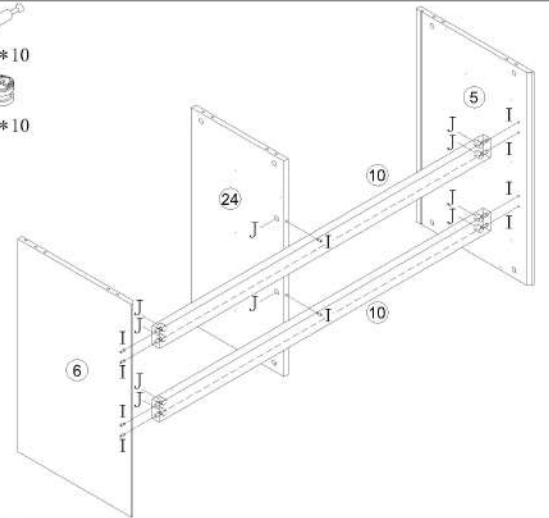
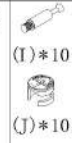
大二合一  
two-in-one



背板扣  
Back Plate Buckle-White

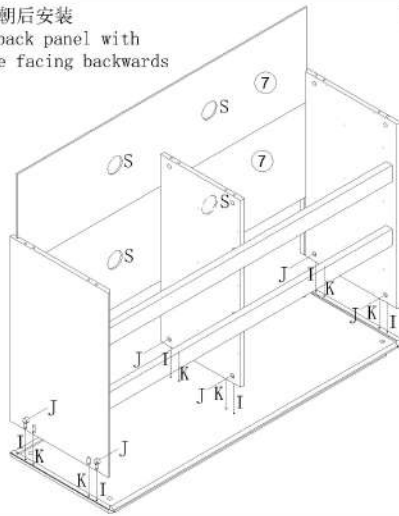


9

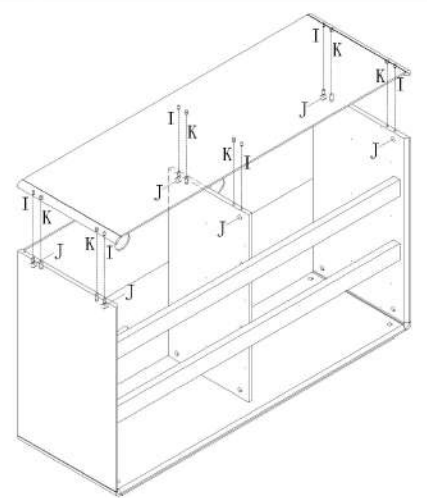


10

背板有胶带面朝后安装  
Install the back panel with  
adhesive tape facing backwards



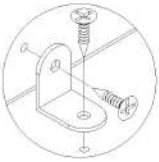
11



12

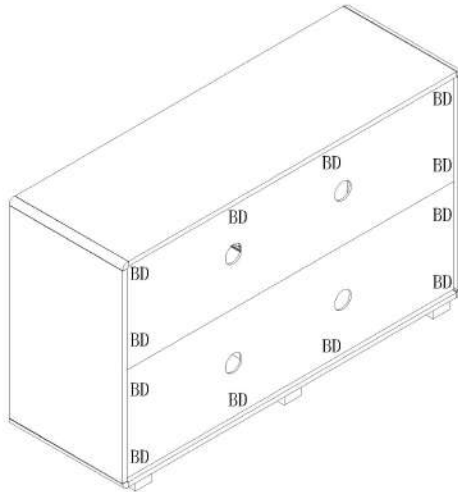
UM4E-A (六斗柜)

安装方法/  
Installation method



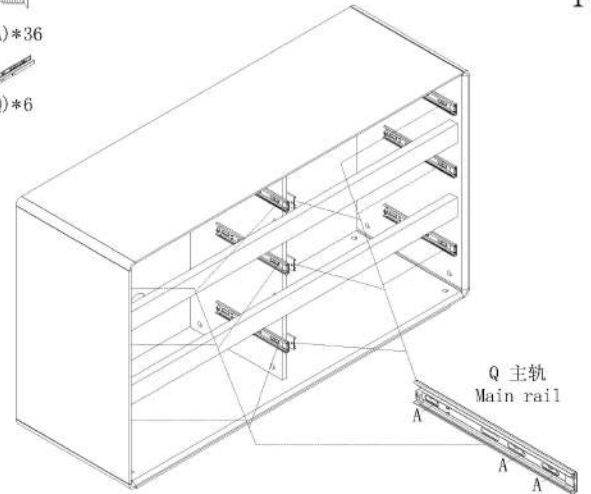
角码  
Bracket

(B)\*12  
(D)\*12



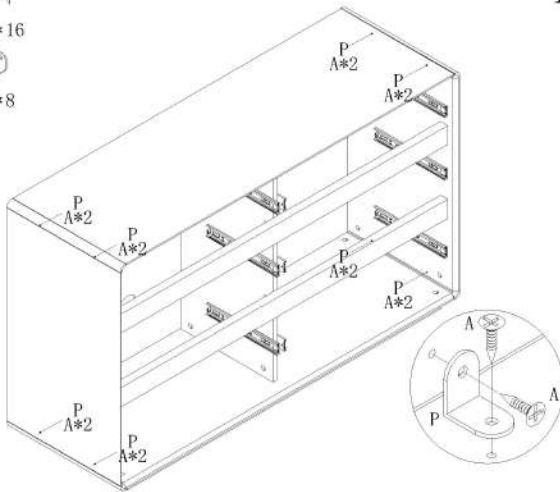
13

(A)\*36  
(Q)\*6

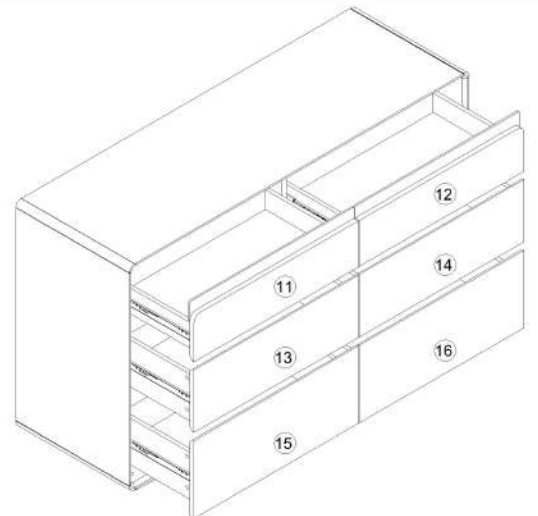


14

(A)\*16  
(P)\*8





15

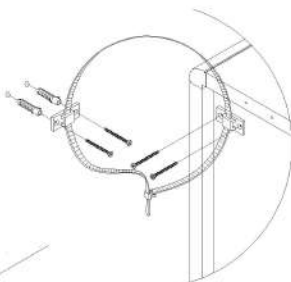


16

# LINSY 林氏家居

## 安装示意图/Assembly Instruction

产品名称 Model NO.	Anti-fall device
产品规格 Specification	-
安装工具 Tool	安装人数 Installer
	



F处放大图  
Enlarged view at F

实体墙  
Solid wall

