

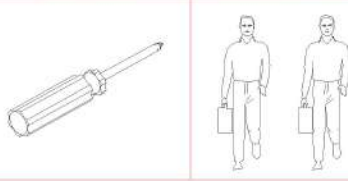
LINSY 林氏家居

安装示意图/Assembly Instruction

产品名称 Model NO. PK18A-A(1.5m)

产品规格 Specification 2035*1570*348mm

安装工具 Tool 安装人数 Installer



注：为保证设计效果，部分尺寸为定制尺寸，不影响使用。



提示：产品可左右互换安装
Tips: The product can be installed interchangeably from left to right.

床垫推荐厚度：100-150mm

五金表/Hardware list

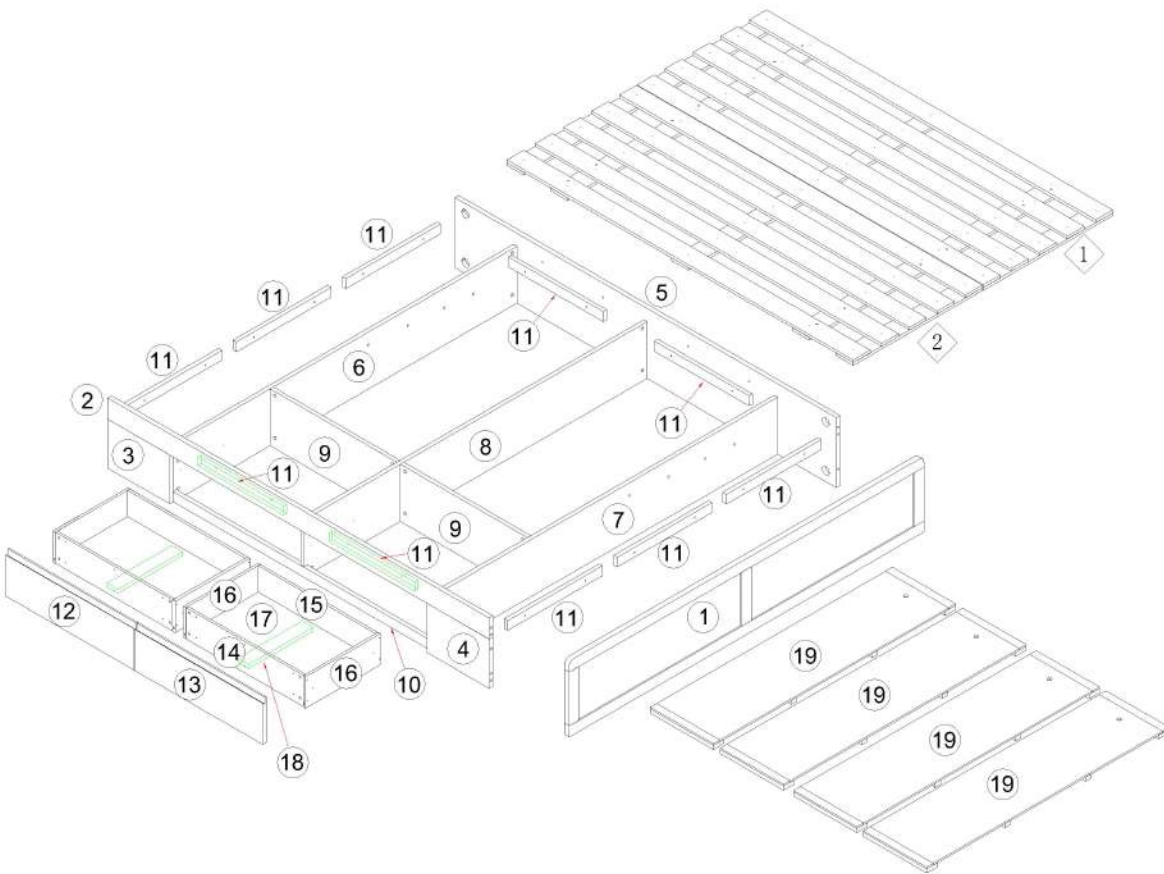
编号NO.	名称Name	规格(mm) Specification	数量QTY	材质Material
PK18A-A1.5m高箱床身 PK18A-A1.5m high box bed body				
①	床尾Bed tail	1570*345*25	1	橡胶木+橡胶木指接板 Rubber wood+Rubber wood finger joint board
②	床侧上板Bedside upper board	2010*96*20	1	橡胶木 Rubber wood
③	左床侧Bedside(L)	326*224*20	1	橡胶木 Rubber wood
④	右床侧Bedside(R)	326*224*20	1	橡胶木 Rubber wood
⑤	床侧Bedside	2010*320*20	1	橡胶木 Rubber wood
⑥	左中侧板Middle side board(L)	1510*260*18	1	橡胶木指接板 Rubber wood finger joint board
⑦	右中侧板Middle side board(R)	1510*260*18	1	橡胶木指接板 Rubber wood finger joint board
⑧	中侧板Middle side board	1510*260*18	1	橡胶木指接板 Rubber wood finger joint board
⑨	中隔板Middle clapboard	670*260*18	2	橡胶木指接板 Rubber wood finger joint board
⑩	下拉条Bottom brace	1358*45*18	1	橡胶木指接板 Rubber wood finger joint board
⑪	加厚条Thicken bar	500*45*18	10	橡胶木指接板 Rubber wood finger joint board
⑫	左抽屉面板Drawer's panel(L)	676*208*20	1	橡胶木 Rubber wood
⑬	右抽屉面板Drawer's panel(R)	676*208*20	1	橡胶木 Rubber wood
⑭	抽屉前板 Drawer front panel	620*142*12	2	橡胶木指接板 Rubber wood finger joint board
⑮	抽屉后板 Drawer back panel	620*142*12	2	橡胶木指接板 Rubber wood finger joint board
⑯	抽屉侧板 Side board of drawer	395*142*12	4	橡胶木指接板 Rubber wood finger joint board
⑰	抽屉底板 Drawer bottom panel	630*379*8	2	橡胶木指接板 Rubber wood finger joint board
⑱	抽屉底托条 Drawer's bottom bracket	369*58*12	2	橡胶木指接板 Rubber wood finger joint board
⑲	底板 Bottom panel	977*333*26	4	橡胶木指接板 Rubber wood finger joint board
高箱侧开实木排骨架1.5m High Box Side Open Solid Wood Skeleton 1.5m				
①	前床板 Front bed board	2000*748*28	1	松木 Pine wood
②	后床板 Rear bed board	2000*748*28	1	松木 Pine wood

部件表/Parts List

PK18A-A (1.5m)

产品分解图/exploded drawing

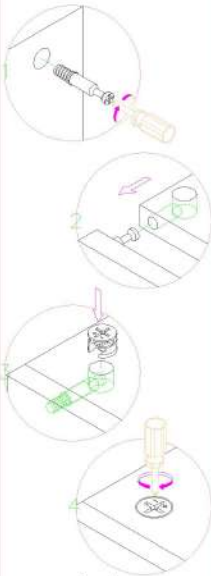
部件表/Parts List



编号NO.	名称Name
PK18A-A1.5m高箱床身	
①	床尾Bed tail
②	床侧上板Bedside upper board
③	左床侧Bedside(L)
④	右床侧Bedside(R)
⑤	床侧Bedside
⑥	左中侧板Middle side board(L)
⑦	右中侧板Middle side board(R)
⑧	中侧板Middle side board
⑨	中隔板Middle claspboard
⑩	下拉条Bottom brace
⑪	加厚条Thicken bar
⑫	左抽屉面板Drawer's panel(L)
⑬	右抽屉面板Drawer's panel(R)
⑭	抽屉前板 Drawer Front panel
⑮	抽屉后板 Drawer back panel
⑯	抽屉侧板 Side board of drawer
⑰	抽屉底板 Drawer Bottom panel
⑱	抽屉底托条 Drawer's bottom bracket
⑲	底板 Bottom panel
高箱制开实木排骨架1.5m	
②	前床板 Front bed board
①	后床板 Rear bed board

PK18A-A (1.5m)

安装方法/Installation method



大二合一
two-in-one

阀门开关(下压为开)
Valve switch (press down)

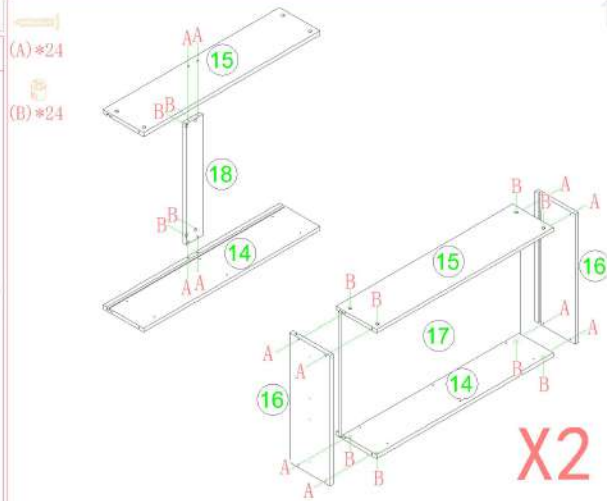
前 Forward 后 Back

主轨 Main track

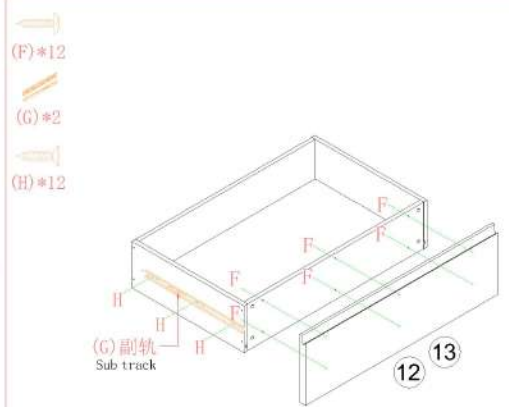


副轨 Sub track

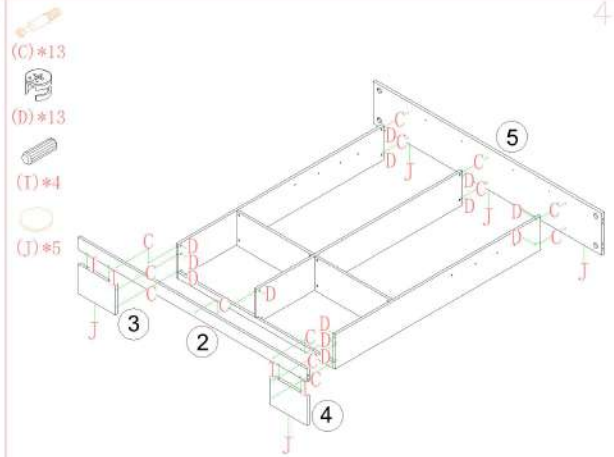
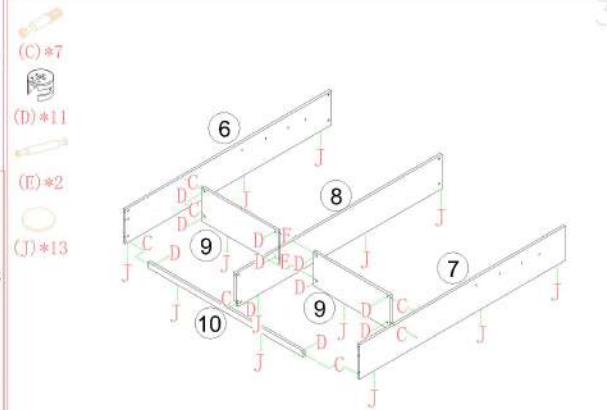
三节滚珠导轨-14"



X2

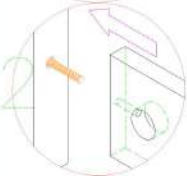
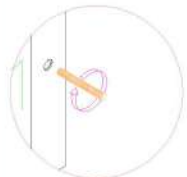


X2



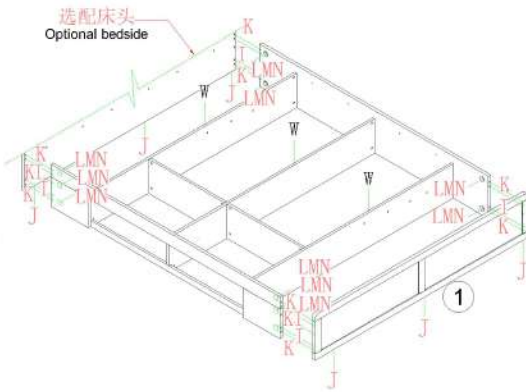
PK18A-A (1.5m)

安装方法/Installation method

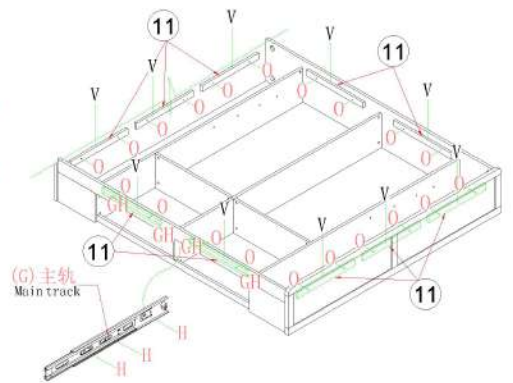


小五合一
Small 5-in-1

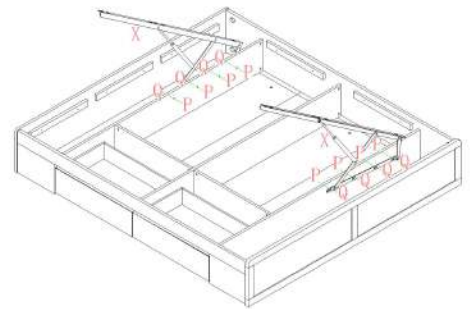
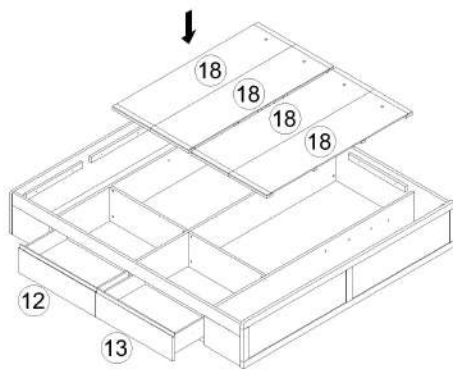
- (I) *8
- (J) *6
- (K) *10
- (L) *1
- (M) *10
- (N) *10
- (W) *3



- (G) *2
- (H) *12
- (O) *20
- (V) *10



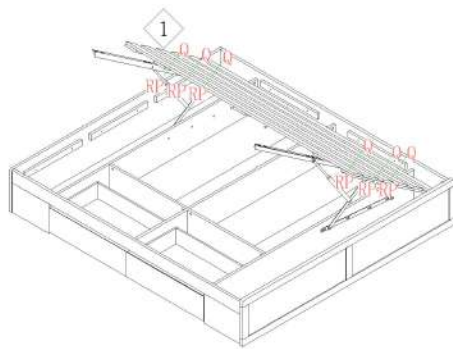
- (X) *1
- (P) *8
- (Q) *8



PK18A-A (1.5m)

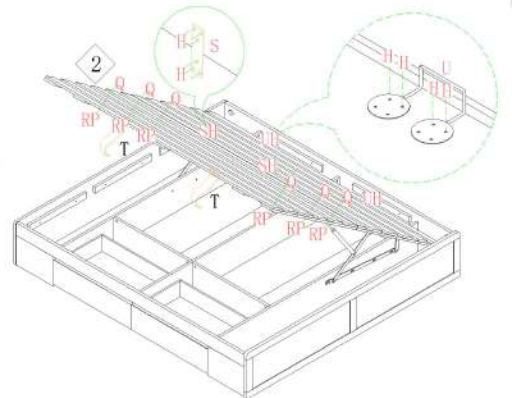
安装方法/Installation method

- (Q) *6
- (R) *6
- (P) *6



9

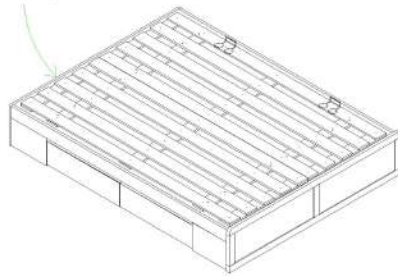
- (T) *2
- (U) *2
- (H) *20
- (S) *2
- (Q) *6
- (R) *6
- (P) *6



10

警告：为避免夹伤，请适当调整床板与床侧间隙，使缝隙少于5mm。
Warning: To avoid injury, please adjust the gap that less than 5mm between the bed board and side.

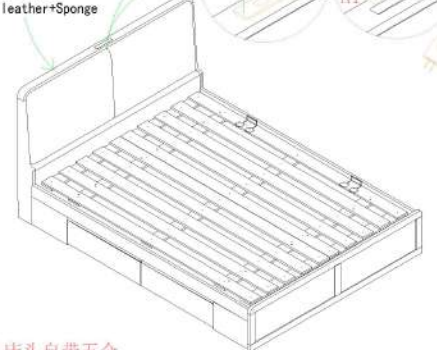
PK19A-A1.5m高箱床头
1560*322*18mm
橡胶木指接板
Rubber wood Finger joint board



11

PK19A-A 1.5*2.0-高箱款
规格：2053*1570*348mm

PK18A-A1.5m高箱床头
1560*1017*145mm
橡胶木+胶合板+人造皮+海绵
Rubber wood+Plywood+
Artificial leather+Sponge



12

- (A1) *1
- (H) *2

(A1) 床头自带五金
(A1) Bedhead comes with hardware

PK18A-A 1.5*2.0-高箱款
规格：2180*1570*1020mm