










LINSY 林氏家居

安装示意图/Assembly Instruction

产品名称 Model NO.	UM1E-A 六斗柜
产品规格 Specification	934*398*1063mm
安装工具 Tool	安装人数 Installer
	



五金表/Hardware list

 (A)* 34 小二合一杆 small two-in-one rod	 (B)* 34 小三合一锁饼 small three-in-one lock	 (C)* 34 塑料螺母 Plastic Nut	 (D)* 34 自攻螺丝M4x40mm Self-tapping screw
 (E)* 4 透明防滑PVC胶塞 PVC rubber plug	 (F)* 76 自攻螺丝M3.5x12mm Self-tapping screw	 (G)* 19 木棒Ø8x30mm wood tison	 (H)* 61 大三合一锁饼 Three-in-one large lock
 (I)* 61 二合一螺杆 2-in-1-screw	 (J)* 15 背板扣 Back Plate Buckle-White	 (K)* 15 自攻螺丝M3.5x16mm Self-tapping screw	 (L)* 2 家具防倒器-白色 Anti-fall device white
 (M)* 6 三节滚珠导轨10' Three-section rail	 (N)* 2 夹板条 Splint strip		

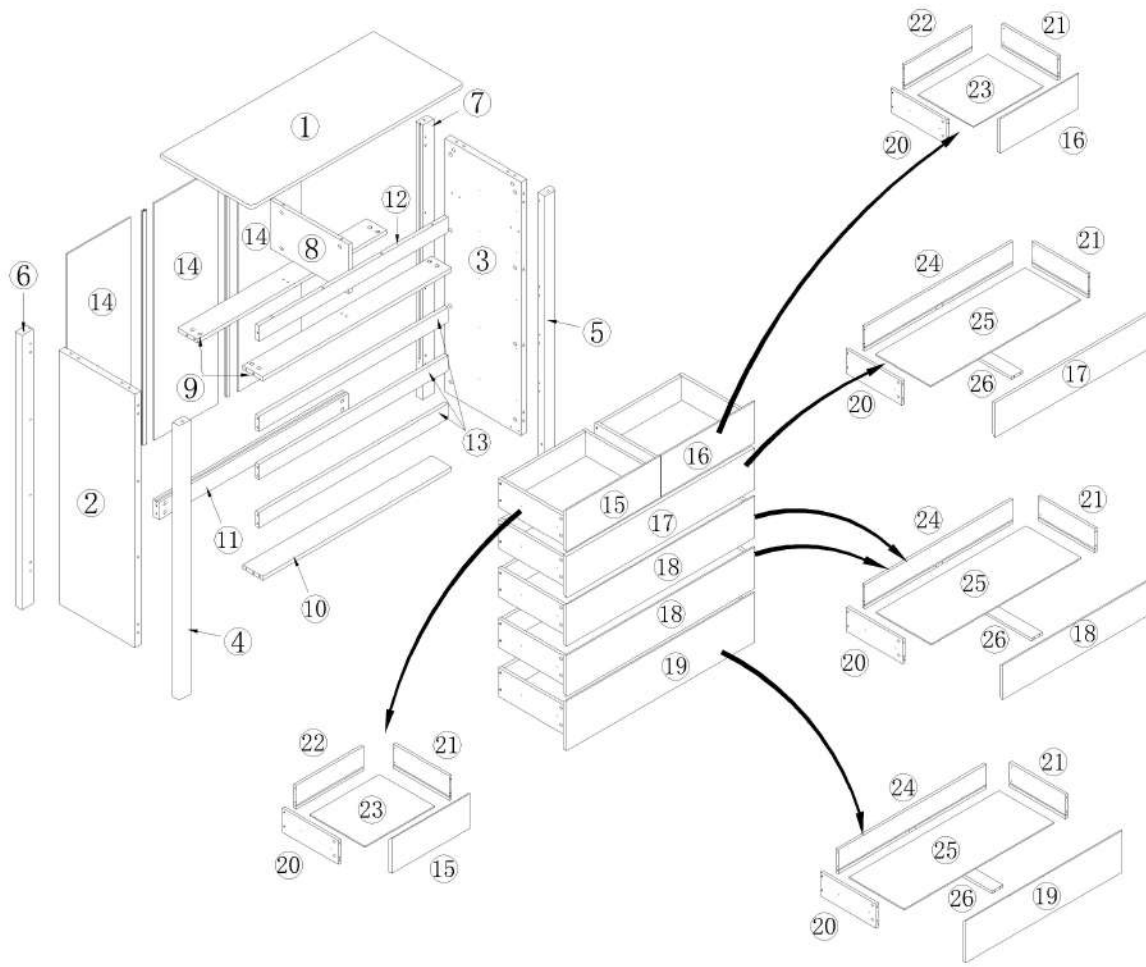
部件表/Parts List

编号NO.	名称Name	规格(mm) Specification	数量QTY	材质Material
①	面板 Top panel	934*398*15	1	人造板 WBP
②	左侧板 Side board(L)	963*334*25	1	人造板 WBP
③	右侧板 Side board(R)	963*334*25	1	人造板 WBP
④	左前脚 Front foot(L)	1043*50*30	1	实木 Wood
⑤	右前脚 Front foot(R)	1043*50*30	1	实木 Wood
⑥	左后脚 Back foot(L)	1043*50*30	1	实木 Wood
⑦	右后脚 Back foot(R)	1043*50*30	1	实木 Wood
⑧	上中侧板 Upper middle side board	185*343*15	1	人造板 WBP
⑨	中拉条 Brace	830*88*15	2	人造板 WBP
⑩	前拉条 Front brace	830*88*15	1	人造板 WBP
⑪	后拉条 Back brace	830*66*25	1	人造板 WBP
⑫	上拉条 Top brace	830*58*15	1	人造板 WBP
⑬	下拉条 Bottom brace	830*58*15	3	人造板 WBP
⑭	背板 Back board	900*278.5*5	3	人造板 WBP
⑮	左上抽屉面板 Upper drawer's panel (L)	412*158*15	1	人造板 WBP
⑯	右上抽屉面板 Upper drawer's panel (R)	412*158*15	1	人造板 WBP
⑰	上抽屉面板 Upper drawer's panel	826*158*15	1	人造板 WBP
⑱	中抽屉面板 Drawer's middle board	826*158*15	2	人造板 WBP
⑲	下抽屉面板 Bottom drawer's panel	826*190*15	1	人造板 WBP
⑳	抽屉左侧板 Drawer's side board(L)	295*110*12	6	人造板 WBP
㉑	抽屉右侧板 Drawer's side board(R)	295*110*12	6	人造板 WBP
㉒	上抽屉后板 Upper drawer's back board	357*110*12	2	人造板 WBP
㉓	上抽屉底板 Upper drawer's Bottom panel	367*291*5	2	人造板 WBP
㉔	抽屉后板 Drawer's Back panel	780*110*12	4	人造板 WBP
㉕	抽屉底板 Drawer's Bottom panel	790*291*5	4	人造板 WBP
㉖	抽屉底托条 Drawer's bottom bracket	281*58*12	4	人造板 WBP

UM1E-A 六斗柜

产品分解图/Exploded drawing

部件表/Parts List

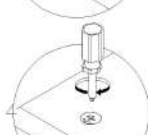
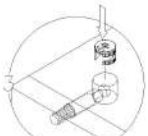
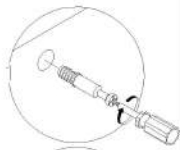


编号NO.	名称Name
①	面板 Top panel
②	左侧板 Side board(L)
③	右侧板 Side board(R)
④	左前脚 Front foot(L)
⑤	右前脚 Front foot(R)
⑥	左后脚 Back foot(L)
⑦	右后脚 Back foot(R)
⑧	上中侧板 Upper middle side board
⑨	中拉条 Brace
⑩	前拉条 Front brace
⑪	后拉条 Back brace
⑫	上拉条 Top brace
⑬	下拉条 Bottom brace
⑭	背板 Back board
⑮	左上抽屉面板 Upper drawer's panel (L)
⑯	右上抽屉面板 Upper drawer's panel (R)
⑰	上抽屉面板 Upper drawer's panel
⑱	中抽屉面板 Drawer's middle board
⑲	下抽屉面板 Bottom drawer's panel
⑳	抽屉左侧板 Drawer's side board(L)
㉑	抽屉右侧板 Drawer's side board(R)
㉒	上抽屉后板 Upper drawer's back board
㉓	上抽屉底板 Upper drawer's Bottom panel
㉔	抽屉后板 Drawer's Back panel
㉕	抽屉底板 Drawer's Bottom panel
㉖	抽屉底托条 Drawer's bottom bracket

UM1E-A 六斗柜

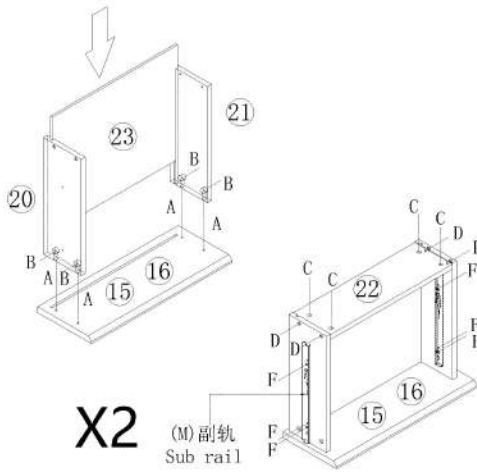
安装方法/

Installation method

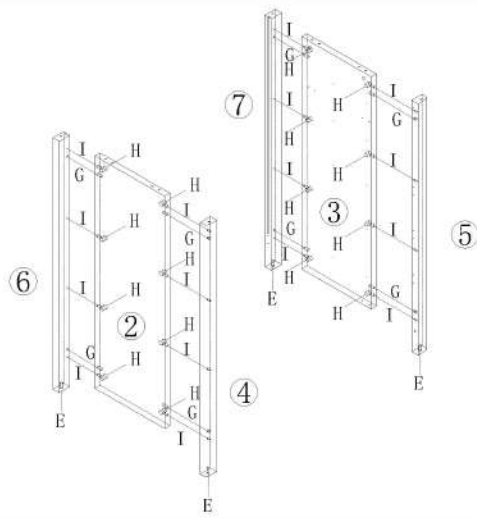


小二合一/two-in-one

- (A)*8
- (B)*8
- (C)*8
- (D)*8
- (F)*12
- (M)*2

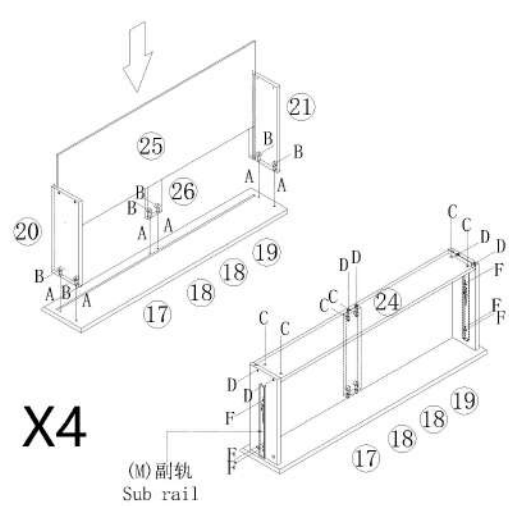


- (E)*4
- (G)*8
- (H)*16
- (I)*16



1

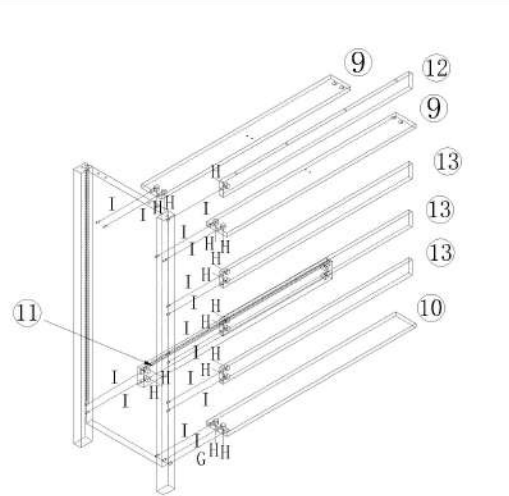
- (A)*24
- (B)*24
- (C)*24
- (D)*24
- (F)*24
- (M)*4



2

3

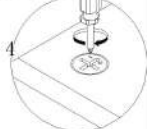
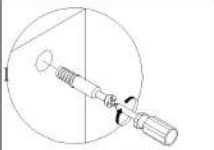
- (G)*1
- (H)*15
- (I)*15



4

UM1E-A 六斗柜

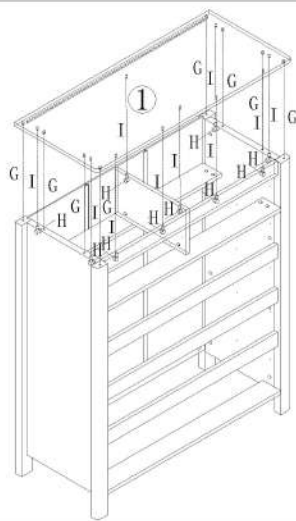
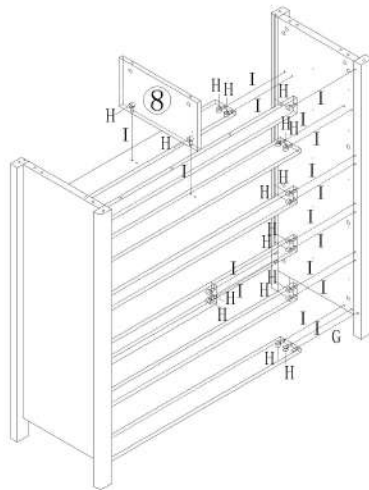
安装方法/
Installation method



大二合一
two-in-one

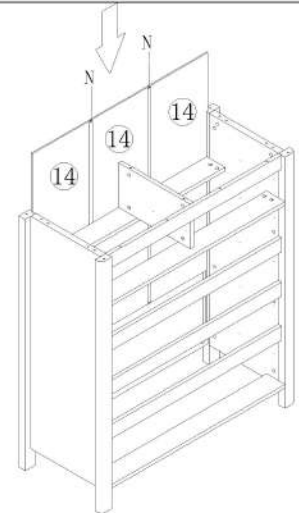
- (G)*1
- (H)*17
- (I)*17

- (G)*8
- (H)*10
- (I)*10



5

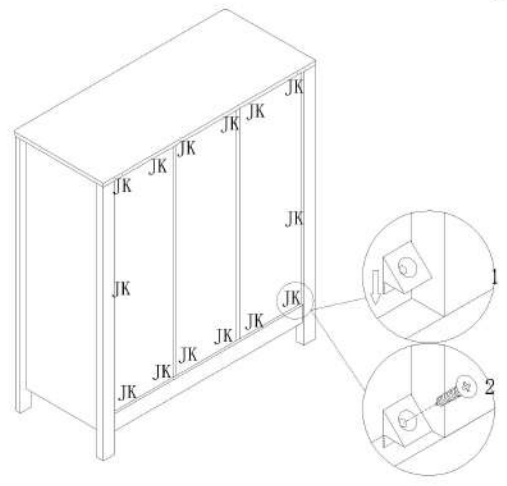
- (N)*2



6

7

- (J)*14
- (K)*14



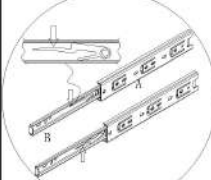
8

UM1E-A 六斗柜

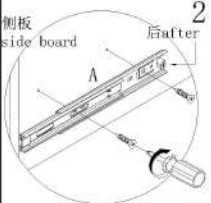
安装方法/

Installation method

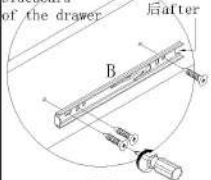
1 阀门开关(下压为开)
Valve switch
(press down to open)



2 侧板
side board



3 抽屉侧板
sideboard
of the drawer



4 5

