

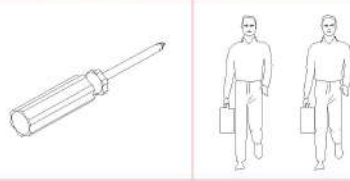
LINSY 林氏家居

安装示意图/Assembly Instruction

产品名称 Model NO. PK18A-A(1.8m)

产品规格 Specification 2035*1870*348mm

安装工具 Tool 安装人数 Installer



注：为保证设计效果，部分尺寸为定制尺寸，不影响使用。



提示：产品可左右互换安装
Tips: The product can be installed interchangeably from left to right.

床垫推荐厚度：100-150mm

五金表/Hardware list

规格(mm) Specification	数量QTY	材质Material		
(A)*25 自攻螺丝M4*40 Self-tapping screw	(B)*25 塑料螺母 Plastic Nut	(C)*21 二合一螺杆 2-in-1-screw	(D)*25 大三合一锁饼 Three-in-one large lock	
(E)*2 双头三合一螺杆 3-in-1 (68mm) double-head screw	(F)*13 大扁头自攻螺丝M4*25 Flat head tasline screw	(G)*2 三节滚珠导轨14" Three-section rail	(H)*48 自攻螺丝M3.5*12 Self-tapping screw	
(I)*13 木榫-φ8*30mm Wood tenon	(J)*24 灰色毛毡垫φ16*3 Grey felt pad	(K)*10 全牙螺杆(M6*70mm) Threaded rail	(L)*1 开口扳手-10mm Open End Wrench	
(M)*10 开口挡块20*12*5 Opening stopper	(N)*10 外六角螺母-M6 Hexagon Nut	(O)*20 斜边十字螺杆M6*25mm Bevel cross screw	(P)*20 外六角螺母-M8 Hexagon Nut	
(Q)*20 斜边十字螺杆-M8*30 bevel cross screw	(R)*13 垫片-(M8*20mm)彩锌 shim-(M8)	(S)*2 字铁片 Flat iron	(T)*2 棕色布拉手 Brown cloth handle	
(U)*2 五金架 The metal rack	(V)*10 1-500mm 垫片-黑色长胶垫 Black long rubber pad	(W)*3 1-1800mm 垫片-黑色长胶垫 Black long rubber pad	(X)*1 气动杆L=1410mm Pneumatic rod	
2	前床板 Front bed board	2000*898*28	1	松木 Pine wood

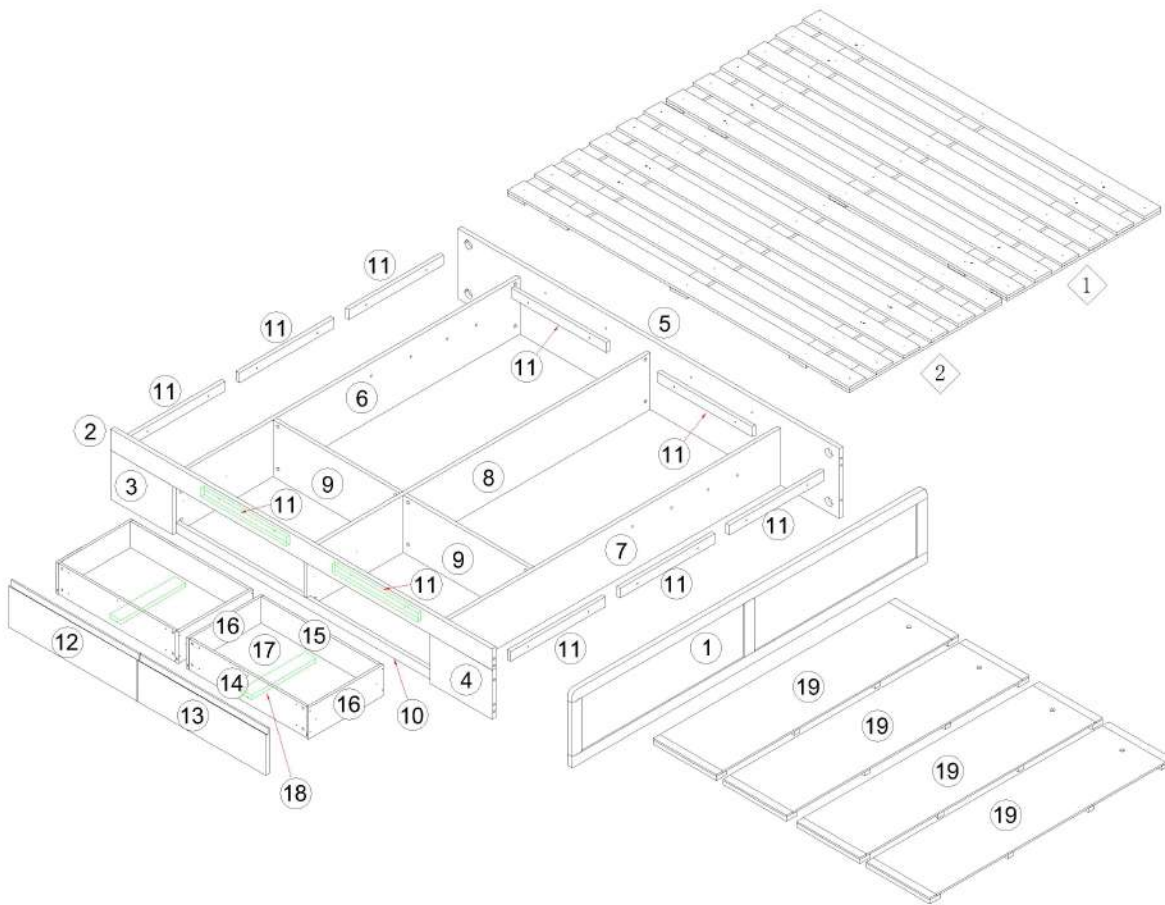
部件表/Parts List

编号NO.	名称Name	规格(mm) Specification	数量QTY	材质Material
PK18A-A1.8m高箱床身 PK18A-A1.8m high box bed body				
①	床尾Bed tail	1870*345*25	1	橡胶木+橡胶木指接板 Rubber wood+ Rubber wood finger joint board
②	床侧上板Bedside upper board	2010*96*20	1	橡胶木 Rubber wood
③	左床侧Bedside(L)	326*224*20	1	橡胶木 Rubber wood
④	右床侧Bedside(R)	326*224*20	1	橡胶木 Rubber wood
⑤	床侧Bedside	2010*320*20	1	橡胶木 Rubber wood
⑥	左中侧板Middle side board(L)	1810*260*18	1	橡胶木指接板 Rubber wood finger joint board
⑦	右中侧板Middle side board(R)	1810*260*18	1	橡胶木指接板 Rubber wood finger joint board
⑧	中侧板Middle side board	1810*260*18	1	橡胶木指接板 Rubber wood finger joint board
⑨	中隔板Middle clapboard	670*260*18	2	橡胶木指接板 Rubber wood finger joint board
⑩	下拉条Bottom brace	1358*45*18	1	橡胶木指接板 Rubber wood finger joint board
⑪	加厚条Thicken bar	500*45*18	10	橡胶木指接板 Rubber wood finger joint board
⑫	左抽屉面板Drawer's panel(L)	676*208*20	1	橡胶木 Rubber wood
⑬	右抽屉面板Drawer's panel(R)	676*208*20	1	橡胶木 Rubber wood
⑭	抽屉前板 Drawer Front panel	620*142*12	2	橡胶木指接板 Rubber wood finger joint board
⑮	抽屉后板 Drawer back panel	620*142*12	2	橡胶木指接板 Rubber wood finger joint board
⑯	抽屉侧板 Side board of drawer	395*142*12	4	橡胶木指接板 Rubber wood finger joint board
⑰	抽屉底板 Drawer bottom panel	630*379*8	2	橡胶木指接板 Rubber wood finger joint board
⑱	抽屉底托条 Drawer's bottom bracket	369*58*12	2	橡胶木指接板 Rubber wood finger joint board
⑲	底板 Bottom panel	1277*333*26	4	橡胶木指接板 Rubber wood finger joint board
高箱侧开实木排骨架1.8m High Box Side Open Solid Wood Skeleton 1.8m				
1	后床板 Rear bed board	2000*898*28	1	松木 Pine wood

PK18A-A (1.8m)

产品分解图/exploded drawing

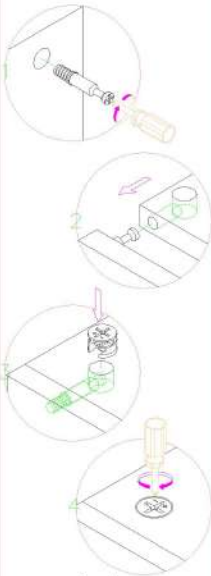
部件表/Parts List



编号NO.	名称Name
PK18A-A1.8m高箱床身	
①	床尾Bed tail
②	床侧上板Bedside upper board
③	左床侧Bedside(L)
④	右床侧Bedside(R)
⑤	床侧Bedside
⑥	左中侧板Middle side board(L)
⑦	右中侧板Middle side board(R)
⑧	中侧板Middle side board
⑨	中隔板Middle clapboard
⑩	下拉条Bottom brace
⑪	加厚条Thicken bar
⑫	左抽屉面板Drawer's panel(L)
⑬	右抽屉面板Drawer's panel(R)
⑭	抽屉前板 Drawer Front panel
⑮	抽屉后板 Drawer back panel
⑯	抽屉侧板 Side board of drawer
⑰	抽屉底板 Drawer Bottom panel
⑱	抽屉底托条 Drawer's bottom bracket
⑲	底板 Bottom panel
高箱侧开实木排骨架1.8m	
②	前床板 Front bed board
①	后床板 Rear bed board

PK18A-A (1.8m)

安装方法/Installation method



大二合一
two-in-one

阀门开关(下压为开)
Valve switch (press down)

前 Forward 后 Back

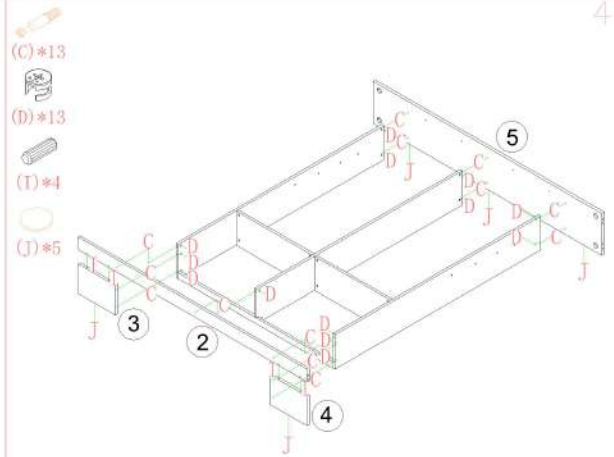
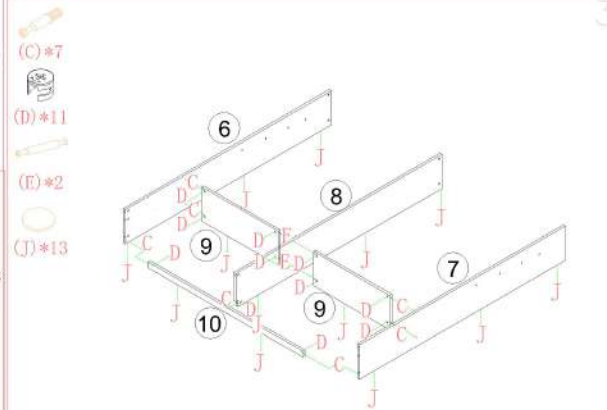
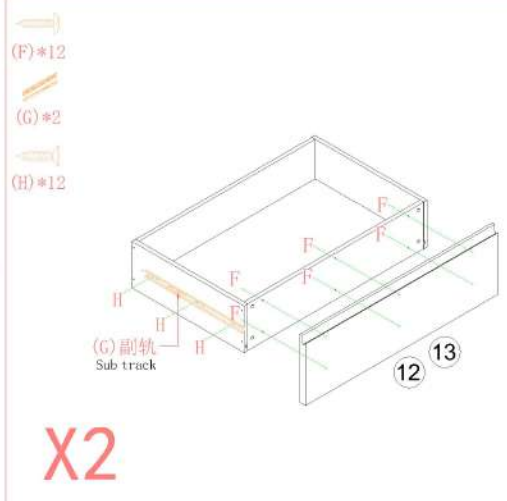
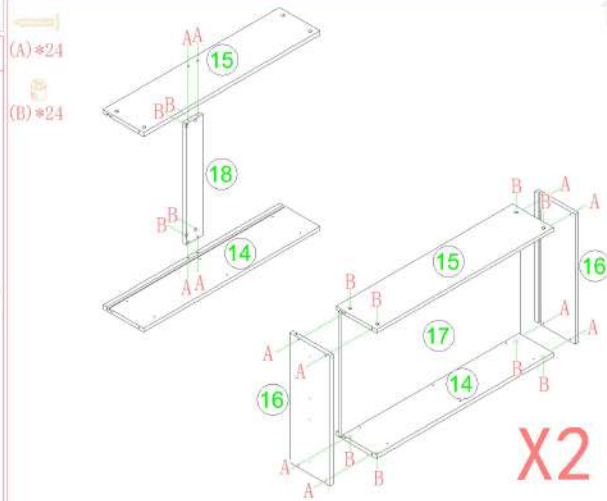


主轨 Main track



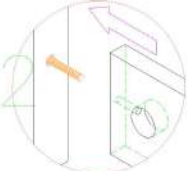
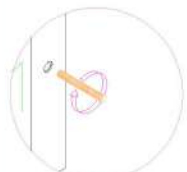
副轨 Sub track

三节滚珠导轨-14"



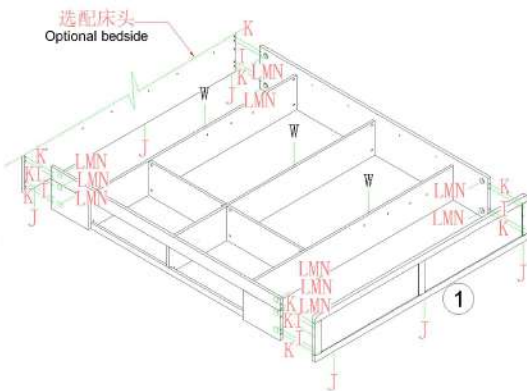
PK18A-A (1.8m)

安装方法/Installation method

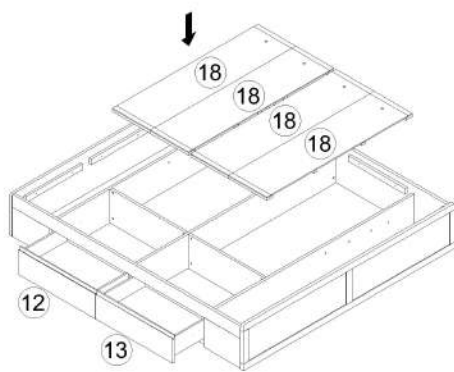
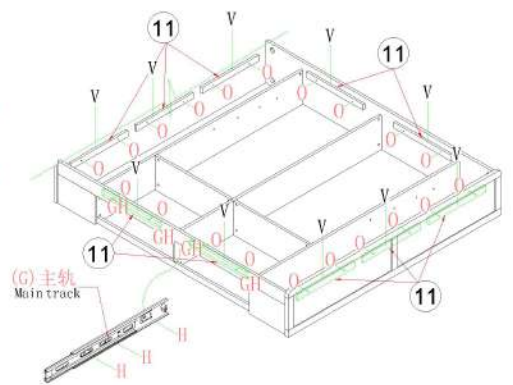


小五合一
Small 5-in-1

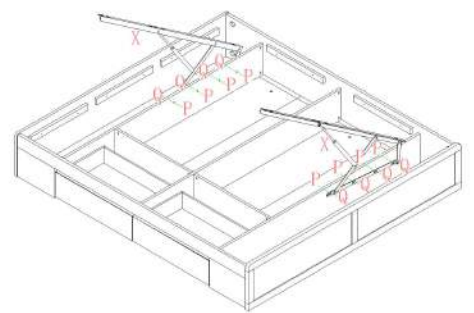
- (I) *8
- (J) *6
- (K) *10
- (L) *1
- (M) *10
- (N) *10
- (W) *3



- (G) *2
- (H) *12
- (O) *20
- (V) *10



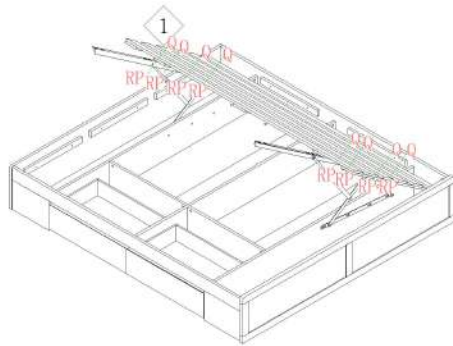
- (X) *1
- (P) *8
- (Q) *8



PK18A-A (1.8m)

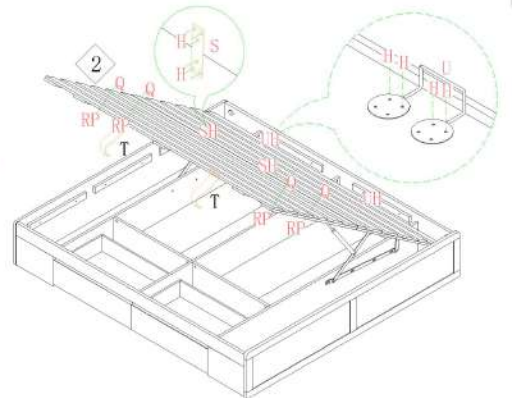
安装方法/Installation method

- (Q)*8
- (R)*8
- (P)*8



9

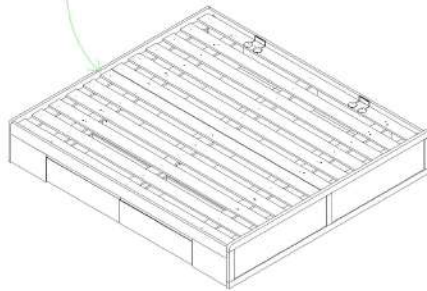
- (T)*2
- (U)*2
- (H)*20
- (S)*2
- (Q)*4
- (R)*4
- (P)*4



10

警告：为避免夹伤，请适当调整床板与床侧间隙，使缝隙少于5mm。
Warning: To avoid injury, please adjust the gap that less than 5mm between the bed board and side.

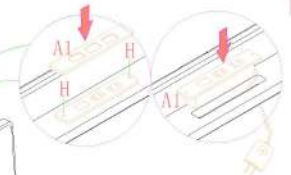
PK19A-A1.8m高箱床头
1860*322*18mm
橡胶木指接板
Rubber wood Finger joint board



11

PK19A-A 1.8*2.0-高箱款
规格：2053*1870*348mm

PK18A-A1.8m高箱床头
1860*1017*145mm
橡胶木+胶合板+人造皮+海绵
Rubber wood+Plywood+
Artificial leather+Sponge



12

- (A1)*1
 - (H)*2
- (A1)床头自带五金
(A1) Bedhead comes with hardware

PK18A-A 1.8*2.0-高箱款
规格：2180*1870*1020mm