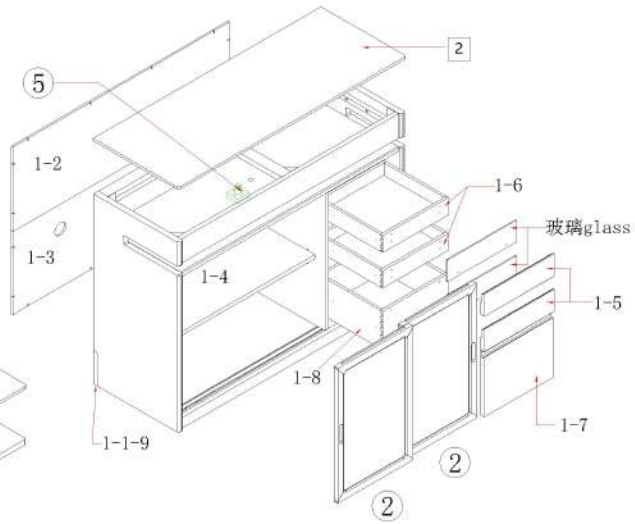
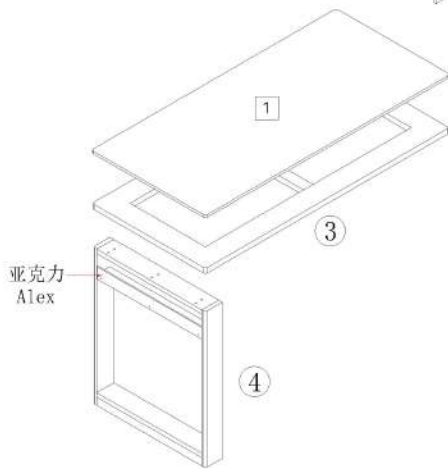
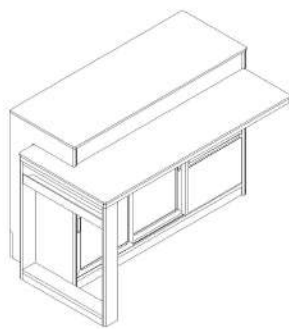


PK5T-A 1.2m

产品分解图/Exploded drawing

部件表/Parts List



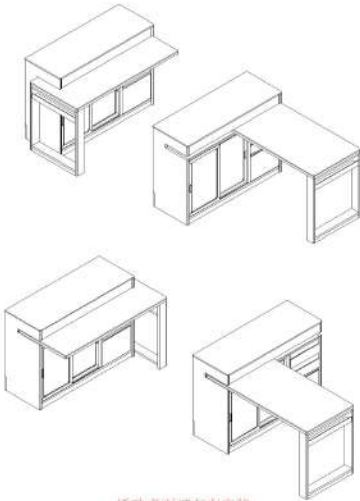
编号NO.	名称Name
PK5T-A 1.2m餐边柜主体	
①	整装柜子Packaged cabinet
1-1	柜体Cabinet body
1-1-9	后脚条Post-footnote
1-2	上背板Upper back board
1-3	下背板Lower back board
1-4	活动层板Movable shelf
1-5	上抽屉面板 Upper drawer's panel
1-6	上抽屉组立 Upper drawer assembly
1-7	下抽屉面板 Bottom drawer's panel
1-8	下抽屉组立 Lower drawer assembly
②	趟门板Door plank
③	面框Surface frame
④	侧框Side frame
⑤	档条The slip
PK5T-A1.2m餐边柜面板	
1	大面板 Big Panel
2	小面板 Small panel

LINSY 林氏家居

安装示意图/Assembly Instruction













产品名称 Model NO.	PK5T-A 1.2m
产品规格 Specification	1823~1295*763~1455*880mm
安装工具 Tool	安装人数 Installer
	

注：为保证设计效果，部分尺寸为定制尺寸，不影响使用。



活动桌面可左右安装
The active desktop can be installed from left to right

五金表/Hardware list

 (A)*1 亚克力 Alex	 (B)*6 斜边内六角螺栓 M8x10 Beveled hexagon socket head screw	 (C)*1 内六角扳手6mm Hexagon wrench	 (D)*10 灰色毛毡垫 Foot pad
 (E)*3 垫片-黑色长胶垫 Black long rubber pad	 (F)*2 轮子 wheel	 (G)*8 白攻大扁钉M16mm Flat head tapping screw	 (H)*12 透明圆形玻璃防滑垫 Non-slip plastic pad
 (I)*4 白攻细丝M16x30mm Tapping screw	 (J)*3 白攻细丝M16x20mm Tapping screw	 (K)*3 镜钉 Mirror nail	 (L)*1 家具防倒器-白色 Anti-fall device

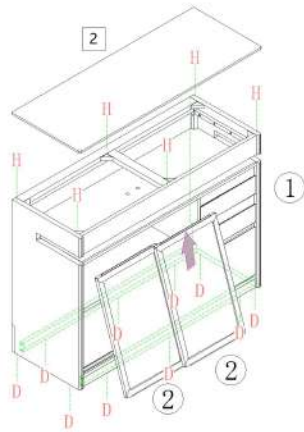
部件表/Parts List

编号NO.	名称Name	规格(mm) Specification	数量QTY	材质Material
PK5T-A 1.2m餐边柜主体 PK5T-A 1.2m Dining cabinet body				
①	整装柜子Packaged cabinet	1196*148*866	1	橡胶木+橡胶木拼接板 Rubber wood+Rubber wood Finger jointboard
1-1	柜体Cabinet body	1196*148*866	1	橡胶木 Rubber wood
1-1-9	后脚条Post-footnote	155*25*20	2	橡胶木 Rubber wood
1-2	上背板Upper back board	1143*385*8	1	橡胶木拼接板 Rubber wood Finger jointboard
1-3	下背板Lower back board	1143*385*8	1	橡胶木拼接板 Rubber wood Finger jointboard
1-4	活动层板Movable shelf	755*356*18	1	橡胶木拼接板 Rubber wood Finger jointboard
1-5	上抽屉面板 Upper drawer's panel	366*105*20	2	橡胶木 Rubber wood
1-6	上抽屉组立 Upper drawer assembly	344*340*78	2	橡胶木拼接板 Rubber wood Finger jointboard
1-7	下抽屉面板 Bottom drawer's panel	366*293*20	1	橡胶木 Rubber wood
1-8	下抽屉组立 Lower drawer assembly	344*340*174	1	橡胶木拼接板 Rubber wood Finger jointboard
②	趟门板Door plank	629*395*20	2	橡胶木+玻璃 Rubber wood+glass
③	面框Surface frame	1286*597*25	1	橡胶木 Rubber wood
④	侧框Side frame	715*593*90	1	橡胶木 Rubber wood
⑤	档条The slip	60*60*55	1	橡胶木 Rubber wood
PK5T-A1.2m餐边柜面板 PK5T-A1.2m Sideboard Panel				
1	大面板 Big Panel	1290*600*11	1	石材 Stone
2	小面板 Small panel	1200*150*11	1	石材 Stone

PK5T-A 1.2m

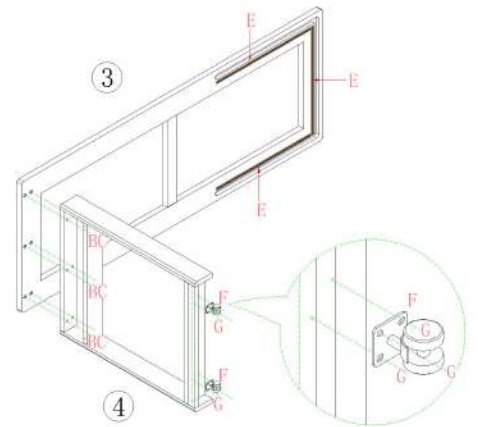
安装方法
Installation method

- (H)*6
- (D)*10



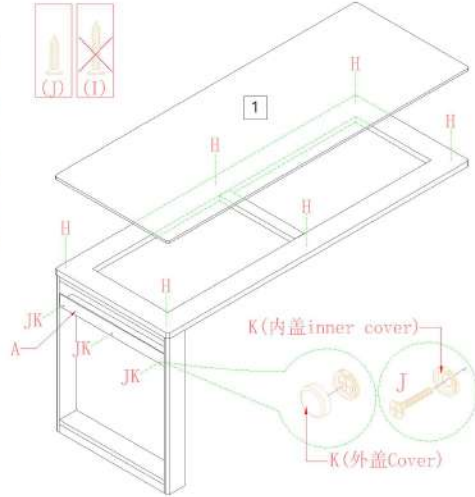
1

- (B)*6
- (C)*1
- (E)*3
- (F)*2
- (G)*8



2

- (H)*6
- (A)*1
- (J)*3
- (K)*3



3

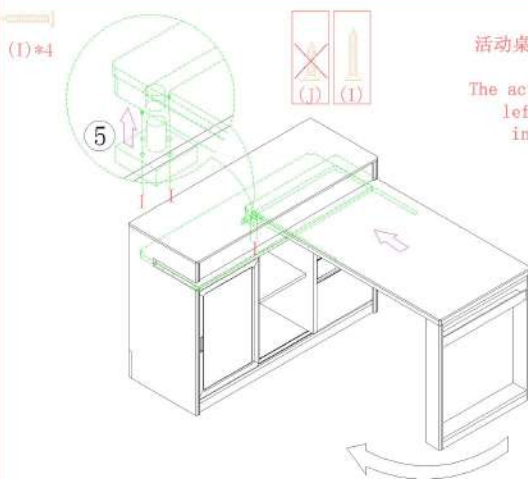
4



注意!
使用产品时请适当调整主柜与边柜组合间距离, 单独放置会有倾倒的风险。
Be careful!
Please properly adjust the distance between the attached and main cabinet. Placing the main cabinet alone will have a risk of dumping.

PK5T-A 1.2m

安装方法
Installation method

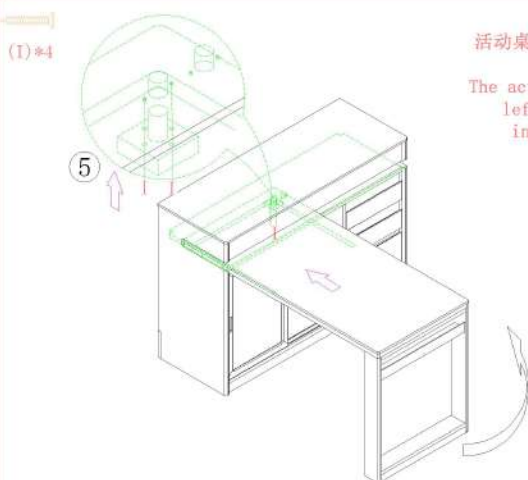


注意!
活动桌面可左右安装, 请按需选择安装步骤
Attention!
The active desktop can be installed from
left to right. Please select the
installation steps as required

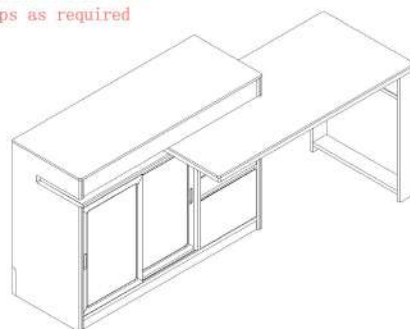


此处缝隙设计为开
启抽屉使用
小心夹伤
The gap here is designed to be
open Open drawer for use
Be careful of pinch injuries

5



注意!
活动桌面可左右安装, 请按需选择安装步骤
Attention!
The active desktop can be installed from
left to right. Please select the
installation steps as required

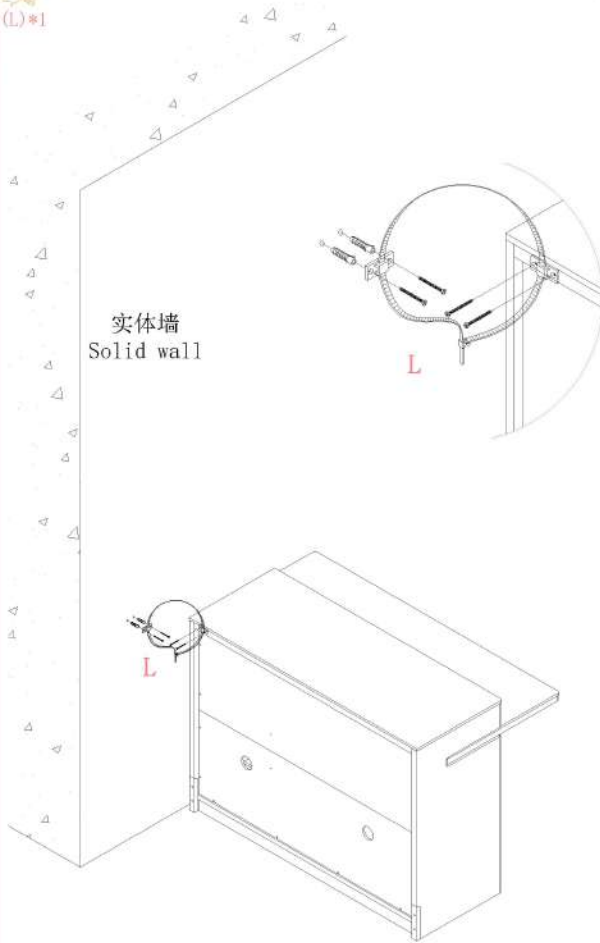


6

PK5T-A 1.2m

安装方法/
Installation method

(L)*1



7

