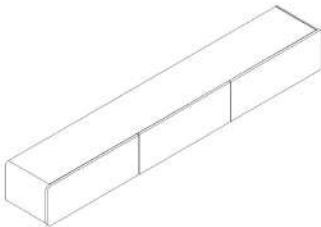


# LINSY 林氏家居

## 安装示意图/Assembly Instruction

产品名称 Model NO.	UV1M-A (2M)
产品规格 Specification	1996*313*250mm
安装工具 Tool	安装人数 Installer



## 五金表/Hardware list

(A)*4 膨胀螺丝胶塞 Expansion screw rubber plug	(B)*27 二合一螺杆 2-in-1 screw	(C)*27 大三合一锁研 3-in-1 large lock	(D)*13 小三合一锁研 3-in-1 small lock
(E)*13 小二合一杆 2-in-1 small rod	(F)*8 灰色毛毡垫 Felt pad	(G)*4 角码-11.9*21*1.5mm小角码 Small bracket	(H)*13 塑料螺母 Plastic Nut
(I)*13 自攻螺丝M4*40 Self-tapping screw	(J)*80 自攻螺丝M3.5*12 Self-tapping screw	(K)*4 角码 corner code	(L)*17 木榫-Φ8*30 Wood tenon
(O)*3 三节滚珠导轨10" Three-section rail	(N)*13 自攻螺丝M4*30 Self-tapping screw	(P)*4 垫片 Gasket	(Q)*4 自攻螺丝M5x100mm Self-tapping screw

## 部件表/Parts List

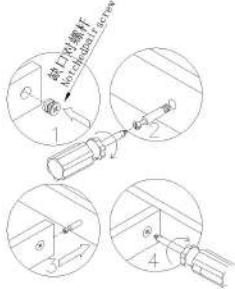
编号NO.	名称Name	规格mm Specification	数量QTY	材质Material
1	面板 Top panel	1944*298*15	1	三胺板 Melamine
2	底板 Bottom board	1944*298*15	1	三胺板 Melamine
3	外侧板 Side board	246*298*25	2	三胺板 Melamine
4	中隔板 Middle clapboard	282*217*15	2	三胺板 Melamine
5	背板 back board	1944*217*15	1	三胺板 Melamine
6	左抽屉面板 Drawer's panel(L)	664*250*15	1	三胺板 Melamine
7	右抽屉面板 Drawer's panel(R)	664*250*15	1	三胺板 Melamine
8	中抽屉面板 Drawer's middle board	664*250*15	1	三胺板 Melamine
9	抽屉左侧板 Drawer's side board(L)	260*142*12	3	三胺板 Melamine
10	抽屉右侧板 Drawer's side board(R)	260*142*12	3	三胺板 Melamine
11	抽屉后板 Drawer's Back board	588*142*12	3	三胺板 Melamine
12	抽屉底板 Drawer's Bottom board	598*256*5	3	三胺板 Melamine

## 落地款部件表/Parts List

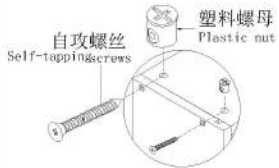
编号NO.	名称Name	规格mm Specification	数量QTY	材质Material
13	长脚条 long foot strip	956*58*25	2	三胺板 Melamine
14	短脚条 Short foot strip	210*58*25	4	三胺板 Melamine

UV1M-A (2M)

安装方法/  
Installation method



二合一/2 in 1



塑料螺母 Plastic nut

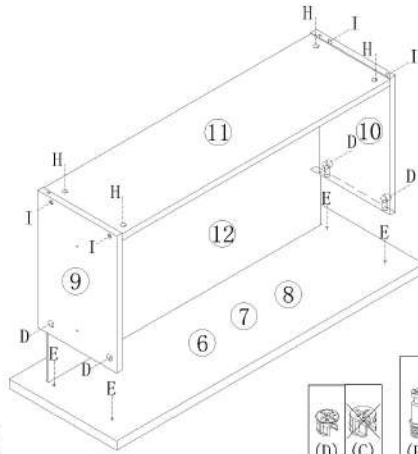
阀门开关(下压为开)  
Valve switch (press down to open)

前 Forward 后 Back



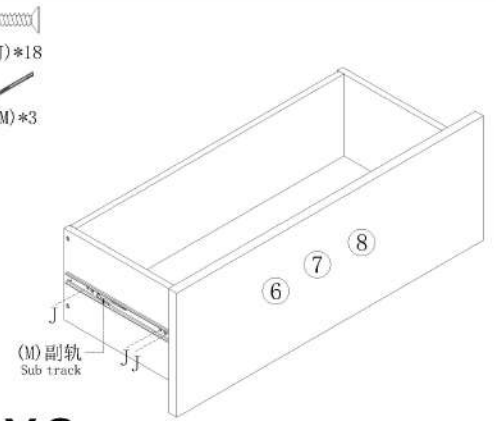
三节滚珠导轨-10"  
Three Section Ball Guide-10"

- (D)\*12
- (E)\*12
- (I)\*12
- (H)\*12



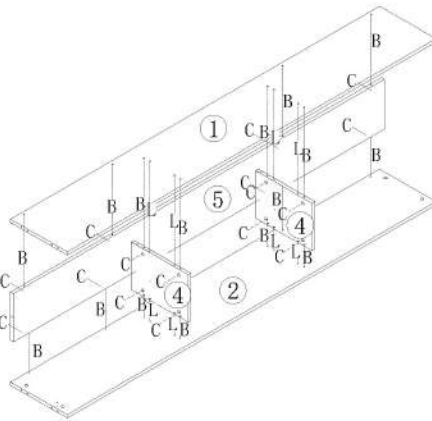
X3

- (J)\*18
- (M)\*3

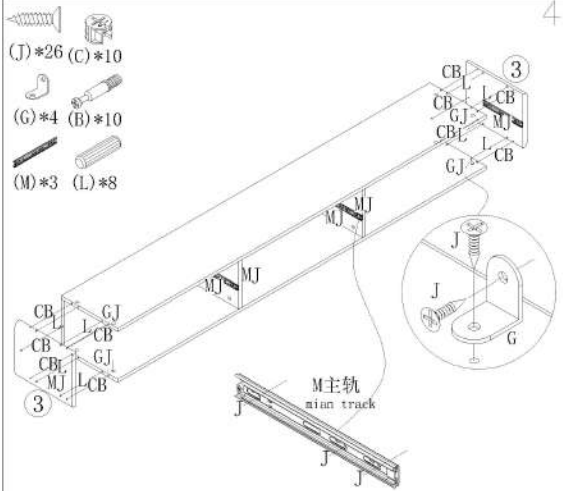


X3

- (C)\*16
- (B)\*16
- (L)\*8

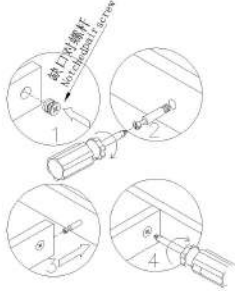


- (J)\*26 (C)\*10
- (G)\*4 (B)\*10
- (M)\*3 (L)\*8

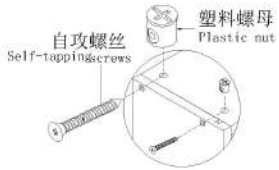


UV1M-A (2M)

安装方法/  
Installation method



二合一/2 in 1



塑料螺母 Plastic nut

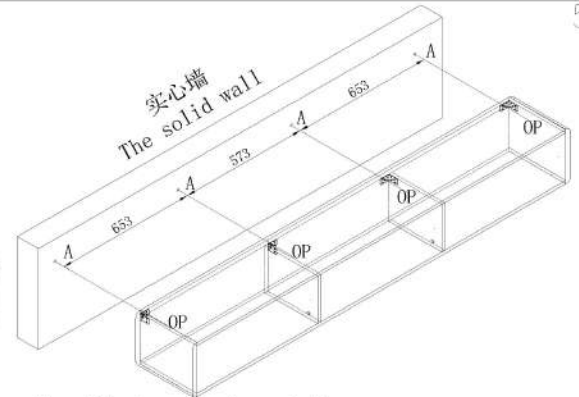
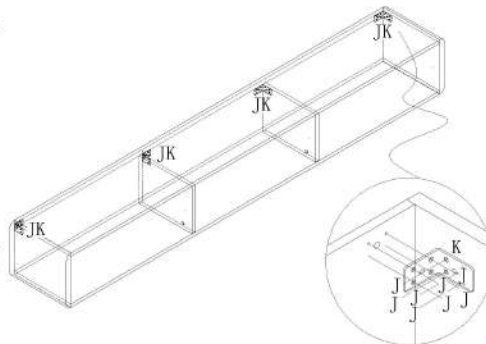
阀门开关(下压为开)  
Valve switch (press down to open)

前 Forward 后 Back



三节滚珠导轨-10"  
Three Section Ball Guide-10"

- (J)\*32
- (K)\*4
- (O)\*4
- (A)\*4
- (P)\*4

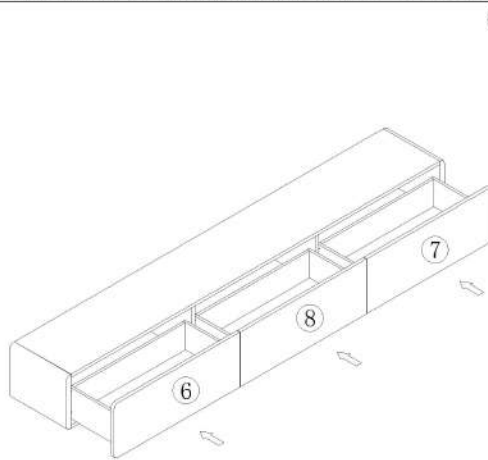


注意: 实心墙厚度应不少于120mm, 以防打穿

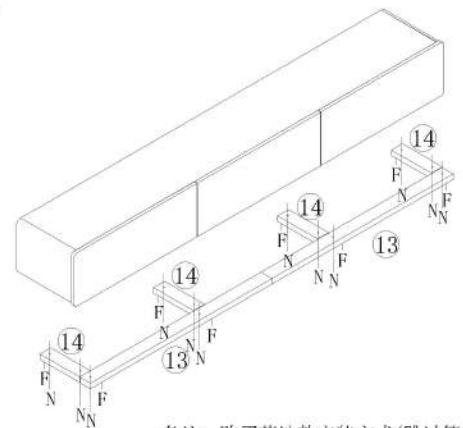
Note: The thickness of the solid wall should not be less than 120mm to prevent penetration

用冲击钻在墙体同一水平位置打 $\varnothing 8 \times 85$ mm孔, 将柜体安装在墙体的合适位置, 图为孔之间的距离

Punch  $\varnothing 8 \times 85$ mm holes at the same horizontal position of the wall with the impact drill, and install the cabinet at the appropriate position of the wall. The figure shows the distance between the holes



- (X)\*12
- (F)\*8



备注: 购买落地款安装方式(跳过第5步)  
Note: Purchase landing installation method

5

7