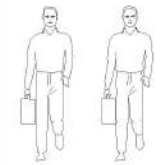


LINSY 林氏家居

安装示意图/Assembly Instruction

产品名称 Model NO.	QA1E-A 七斗柜
产品规格 Specification	1195*405*825mm
安装工具 Tool	安装人数 Installer



注：为保证设计效果，部分尺寸为定制尺寸，不影响使用。



五金表/Hardware list

(A)* 43 三合一螺杆 2-in-1-screw	(B)* 43 大三合一锁饼 Three-in-one large lock	(C)* 19 木棒08x30mm wood tenon	(D)* 29 小二合一杆 small two-in-one rod
(E)* 29 小二合一锁饼 small three-in-one lock	(F)* 29 塑料螺母 Plastic Nut	(G)* 29 自攻螺丝M4x40mm Self-tapping screw	(H)* 88 自攻螺丝M3.5x12mm Self-tapping screw
(I)* 1 家具防倒器白色 Anti-fall device	(J)* 4 灰色毛毡垫 Felt pad	(K)* 5 斜边十字螺帽M8x40mm Bevel cross screw	(L)* 7 三节滚珠导轨-10" three-section ball rail
(M)* 13 自攻螺丝M3.5*16 Self-tapping screw	(N)* 13 背板扣 Back Panel Buckle	(O)* 4 透气孔盖 Breathable cover	(P)* 4 拉手螺丝-M4*20mm Pulling screw
(Q)* 4 铝合金圆拉手 Aluminum alloy round handle	(R)* 1 夹板条 split strip	(S)* 1 调节五金脚 Adjustable foot	

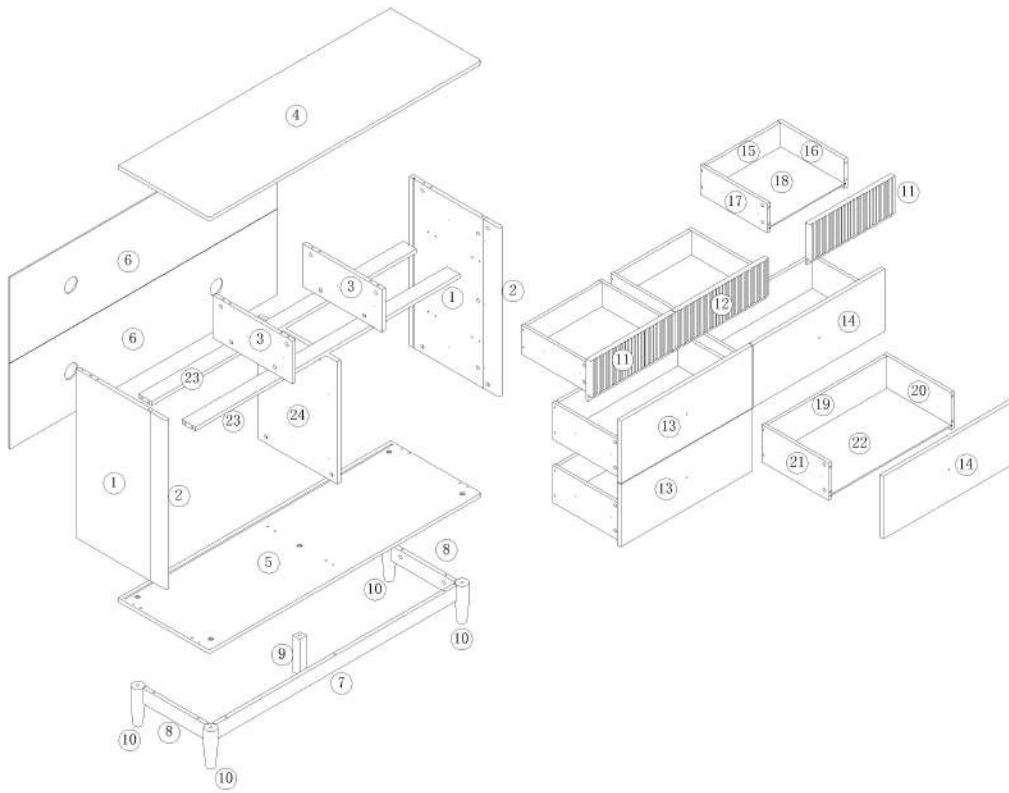
部件表/Parts List

编号NO.	名称Name	规格 (mm) Specification	数量QTY	材质Material
①	侧板Side board	642*327*15	2	刨花板 Particle board
②	侧柱Side pillar	642*70*15	2	樟木 Birch
③	上中侧板Upper middle side board	162*348*15	2	刨花板 Particle board
④	前板Top panel	1195*388*15	1	刨花板 Particle board
⑤	底板Bottom board	1195*388*15	1	刨花板 Particle board
⑥	背板Back board	1173*325*5	2	纤维板 Fiberboard
⑦	前立水Front apron	1059*38*15	1	刨花板 Particle board
⑧	侧立水Side apron	275*58*15	2	刨花板 Particle board
⑨	中脚Middle foot	137*30*50	1	樟木 Birch
⑩	脚Foot	150*45*15	4	樟木 Birch
⑪	上抽屉面板Upper drawer's panel	373*158*20	2	樟木 Birch
⑫	中抽屉面板Drawer's middle board	408*158*20	1	樟木 Birch
⑬	左抽屉面板Drawer's panel(L)	578*238*15	2	刨花板 Particle board
⑭	右抽屉面板Drawer's panel(R)	578*238*15	2	刨花板 Particle board
⑮	上抽屉后板Upper drawer's back board	327*110*12	3	刨花板 Particle board
⑯	上抽屉右侧板Upper drawer's side board(R)	295*110*12	3	刨花板 Particle board
⑰	上抽屉左侧板Upper drawer's side board(L)	295*110*12	3	刨花板 Particle board
⑱	上抽屉底板Upper drawer's Bottom board	337*291*5	3	纤维板 Fiberboard
⑲	下抽屉后板Down drawer's back board	529*142*12	4	刨花板 Particle board
⑳	下抽屉右侧板Lower drawer's side board(R)	295*142*12	4	刨花板 Particle board
㉑	下抽屉左侧板Lower drawer's side board(L)	295*142*12	4	刨花板 Particle board
㉒	下抽屉底板Lower drawer's Bottom board	534*291*5	4	纤维板 Fiberboard
㉓	拉条Brace	1163*38*15	2	刨花板 Particle board
㉔	中侧板Middle side board	465*348*15	1	刨花板 Particle board

QA1E-A 七斗柜

产品分解图/exploded drawing

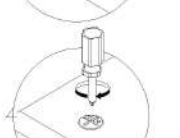
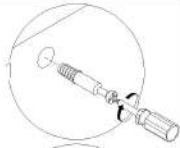
部件表/Parts List



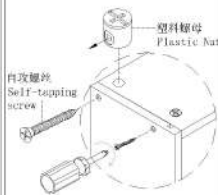
编号NO.	名称Name
①	侧板Side board
②	侧柱Side pillar
③	上中侧板Upper middle side board
④	面板Top panel
⑤	底板Bottom board
⑥	背板Back board
⑦	前立水Front apron
⑧	侧立水Side apron
⑨	中脚Middle foot
⑩	脚Foot
⑪	上抽屉面板Upper drawer's panel
⑫	中抽屉面板Drawer's middle board
⑬	左抽屉面板Drawer's panel (L)
⑭	右抽屉面板Drawer's panel (R)
⑮	上抽屉后板Upper drawer's back board
⑯	上抽屉右侧板Upper drawer's side board (R)
⑰	上抽屉左侧板Upper drawer's side board (L)
⑱	上抽屉底板Upper drawer's Bottom board
⑲	下抽屉后板Down drawer's back board
⑳	下抽屉右侧板Lower drawer's side board (R)
㉑	下抽屉左侧板Lower drawer's side board (L)
㉒	下抽屉底板Lower drawer's Bottom board
㉓	拉条Brace
㉔	中侧板Middle side board

QA1E-A 七斗柜

安装方法/
Installation method



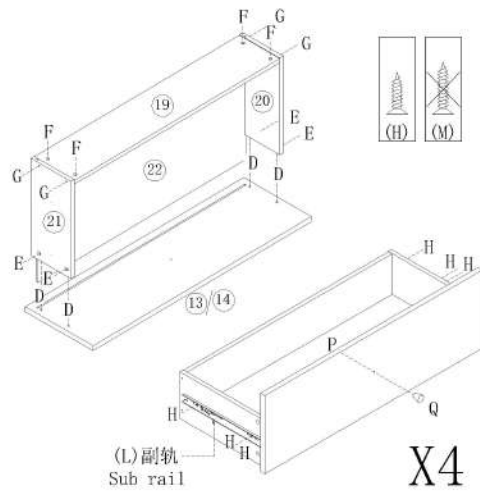
小二合一/two-in-one



塑料螺母
Plastic Nut

- (D)*16
- (E)*16
- (F)*16
- (G)*16
- (H)*24
- (L)*4
- (P)*4
- (Q)*4

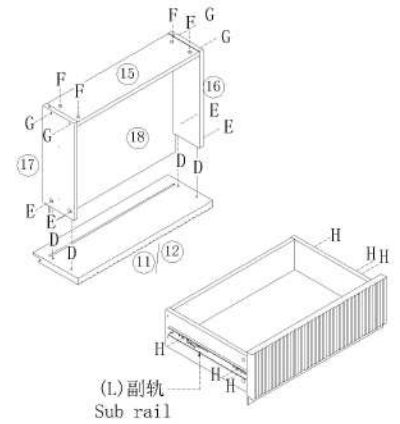
- (A)*6
- (B)*6
- (C)*4



1

- (D)*12
- (E)*12
- (F)*12
- (G)*12
- (H)*18
- (L)*3

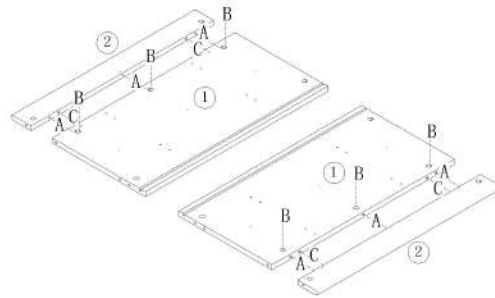
X3



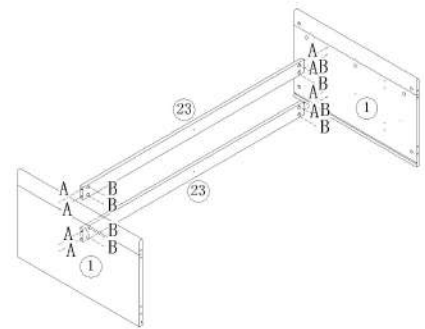
2

3

- (A)*8
- (B)*8

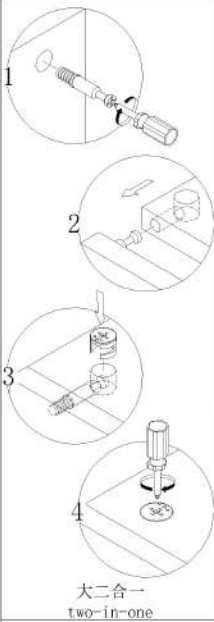


4

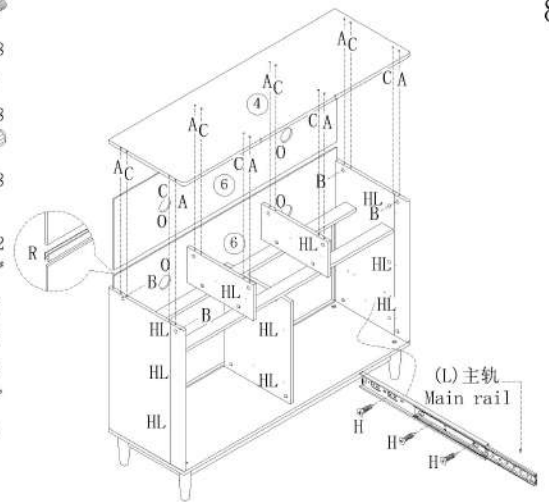
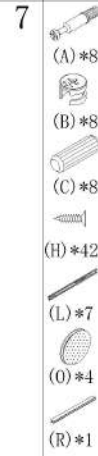
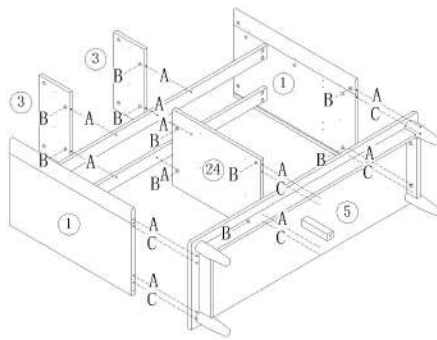
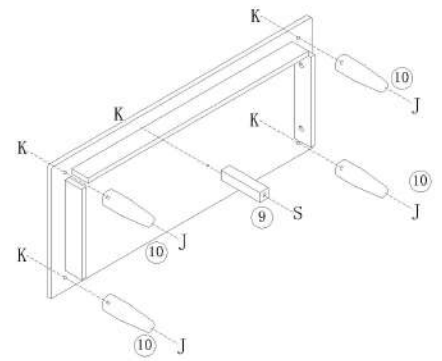
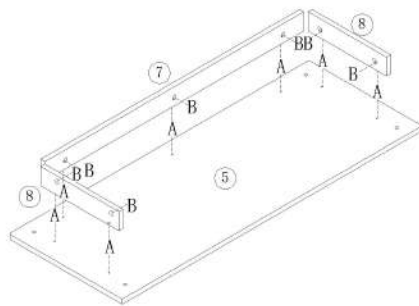


QA1E-A 七斗柜

安装方法/
Installation method



大二合一
two-in-one

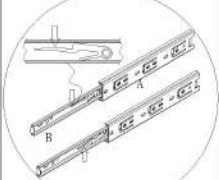


QA1E-A 七斗柜

安装方法/

Installation method

1
阀门开关(下压为开)
Valve switch
(press down to open)



注: 先将A与B拆下来
Note: remove a and B first

