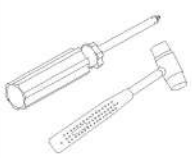

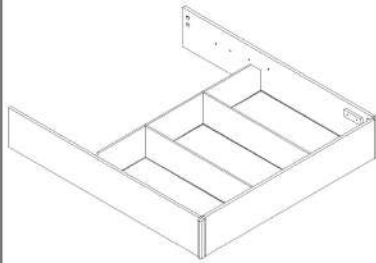



# LINSY 林氏家居

## 安装示意图/Assembly Instruction

|   |   |
|---|---|
| 产品名称 Model NO.  | NU6A-A1 (1.5m)  |
| 产品规格 Specification  | 2040*1585*367mm   |
| 安装工具 Tool   | 安装人数 Installer  |
|  |  |



## 五金表/Hardware list

|  |   |  |  |
|--|---|--|--|
| <br>(A)*8<br>五合一孔盖<br>5-in-1 cover                  | <br>(B)*8<br>五合一月牙-M8<br>5-in-1 screw        | <br>(C)*8<br>外六角螺母-M8<br>Hexagon Nut            | <br>(D)*1<br>开口扳手-14mm<br>Open Wrench           |
| <br>(E)*8<br>全牙螺杆-(M8*75mm)<br>Full thread screw    | <br>(F)*8<br>木榫Ø10x40mm<br>Wood tenon        | <br>(G)*8<br>二合一螺杆<br>2-in-1-screw              | <br>(H)*17<br>大三合一锁杆<br>3-in-1 large lock       |
| <br>(I)*4<br>双头三合一螺杆<br>Double head<br>3-in-1 screw | <br>(J)*25<br>灰色毛毡垫<br>Foot pad              | <br>(K)*4<br>斜边十字螺钉M6*30mm<br>Bevel cross screw | <br>(L)*8<br>斜边十字螺钉Ø8*20mm<br>Bevel cross screw |
| <br>(M)*1<br>丙纶气动布棕色拉手<br>Brown cloth handle      | <br>(N)*6<br>塑胶条1-1181mm<br>Plastic strip1 | <br>(O)*6<br>塑胶条2-461mm<br>Plastic strip2     | <br>(P)*1<br>气动排骨架001-1.5<br>Bedstead         |

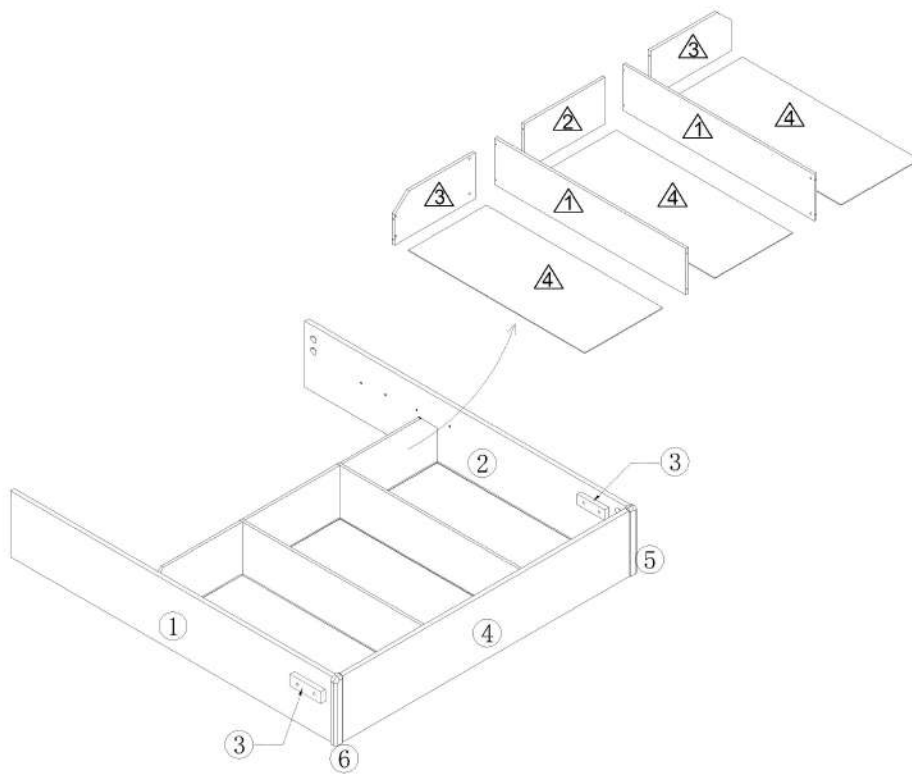
## 部件表/Parts List

| 编号NO.   | 名称Name  | 规格(mm)<br>Specification  | 数量QTY  | 材质Material            |
|---|---|--|--|-----------------------|
| NU6A-A1 1.5m高箱床身<br>NU6A-A Pneumatic High Box Bed 1.5m  |   |  |  |                       |
| ①   | 左床侧 Bedside (L)   | 2010*356*25  | 1  | 刨花板<br>Particle board |
| ②   | 右床侧 Bedside (R)   | 2010*356*25  | 1  | 刨花板<br>Particle board |
| ③   | 床板托条<br>Bed board support strip   | 174*58*25  | 2  | 刨花板<br>Particle board |
| ④   | 床尾主板<br>Bed tail Mainboard  | 1485*356*25  | 1  | 刨花板<br>Particle board |
| ⑤   | 床尾右脚 Bed tail foot (R)  | 364*50*30  | 1  | 橡胶木<br>Rubber wood    |
| ⑥   | 床尾左脚 Bed tail foot (L)  | 364*50*30  | 1  | 橡胶木<br>Rubber wood    |
| 气动高箱隔板001<br>Pneumatic high box partition 001   |   |  |  |                       |
| △1  | 中侧板 Middle side board   | 1200*294*15  | 2  | 刨花板<br>Particle board |
| △2  | 中隔板 Middle clapboard  | 493*294*15   | 1  | 刨花板<br>Particle board |
| △3  | 边隔板 Side clapboard  | 493*294*15   | 2  | 刨花板<br>Particle board |
| △4  | 底板 Bottom board   | 1175*481*5   | 3  | 纤维板<br>Fiberboard     |
| 气动杆内带五金<br>Pneumatic rod with hardware  |   |  |  |                       |
| <br>(W1)*1<br>气动杆L=1500mm<br>Pneumatic rod | <br>(X1)*6<br>大扁头十字螺钉-M8x45<br>Flat head screw | <br>(Y1)*7<br>垫片M8<br>shim-(M8) | <br>(Z1)*7<br>外六角螺母-M8<br>Hexagon Nut |                       |

NU6A-A1 (1.5m)

产品分解图/exploded drawing

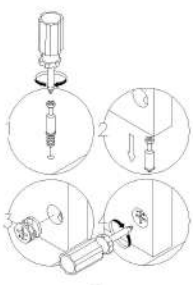
部件表/Parts List



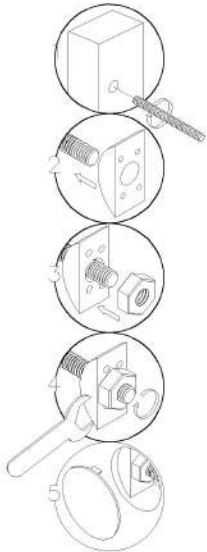
| 编号NO.            | 名称Name                          |
|------------------|---------------------------------|
| NU6A-A1 1.5m高箱床身 |                                 |
| ①                | 左床侧Bedside(L)                   |
| ②                | 右床侧Bedside(R)                   |
| ③                | 床板托条<br>Bed board support strip |
| ④                | 床尾主板<br>Bed tail Mainboard      |
| ⑤                | 床尾右脚Bed tail foot(R)            |
| ⑥                | 床尾左脚Bed tail foot(L)            |
| 气动高箱隔板001        |                                 |
| ①                | 中侧板<br>Middle side board        |
| ②                | 中隔板<br>Middle clapboard         |
| ③                | 边隔板<br>Side clapboard           |
| ④                | 底板<br>Bottom board              |

NU6A-A1 (1.5m)

安装方法  
Installation method

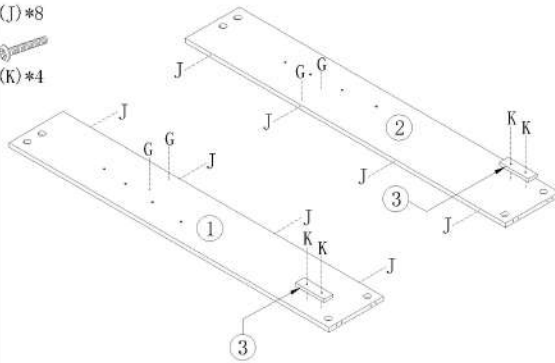


二合一  
two-in-one

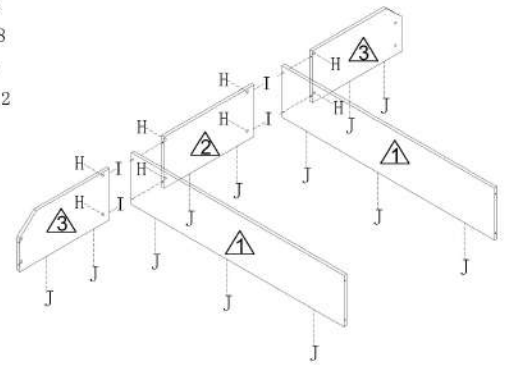


五合一/5 in 1

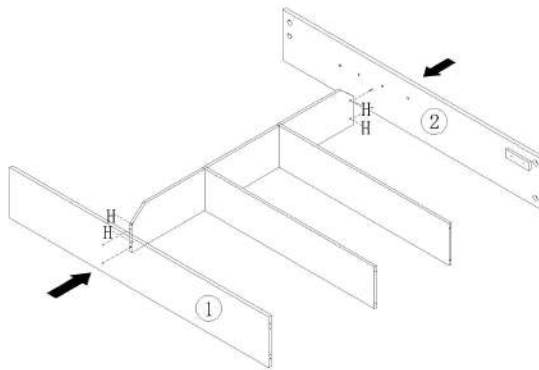
- (G)\*4
- (J)\*8
- (K)\*4



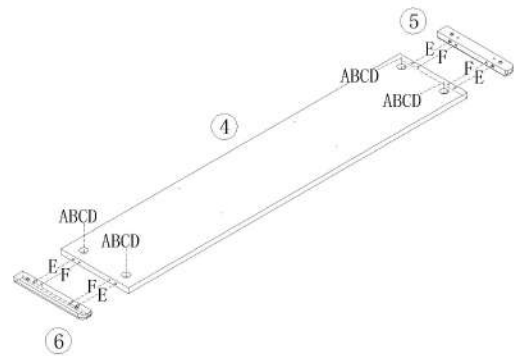
- (I)\*4
- (H)\*8
- (J)\*12



- (H)\*4

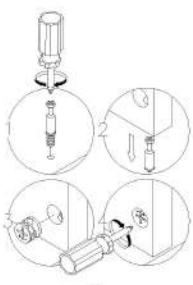


- (A)\*4
- (B)\*4
- (C)\*4
- (D)\*1
- (F)\*4
- (E)\*4

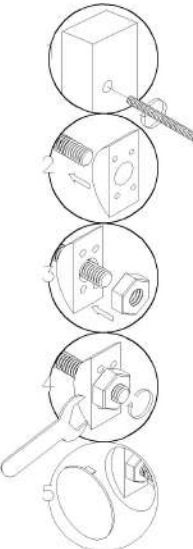


NU6A-A1 (1.5m)

安装方法  
Installation method

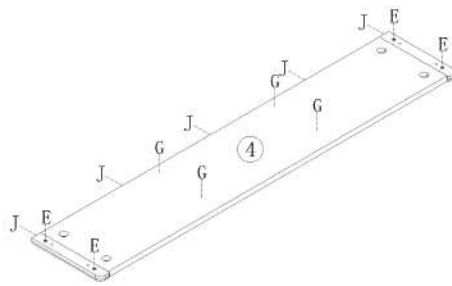


二合一  
two-in-one

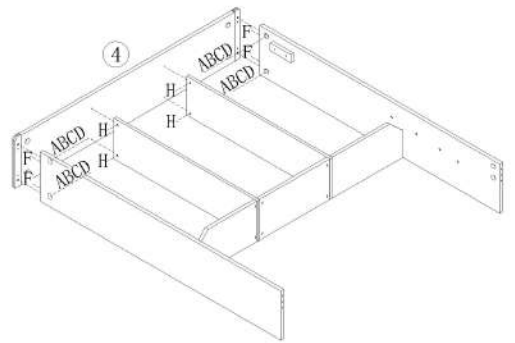


五合一/5 in 1

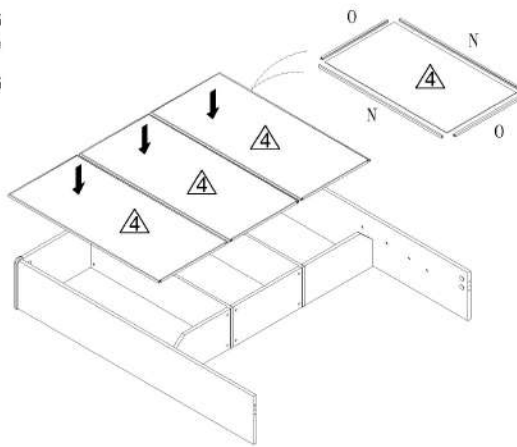
- (J)\*5
- (G)\*4
- (E)\*4



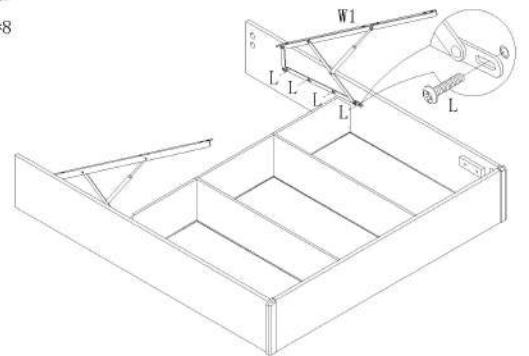
- (A)\*4
- (B)\*4
- (C)\*4
- (D)\*1
- (F)\*4
- (H)\*4



- (N)\*6
- (O)\*6



- (W1)\*1
- (L)\*8



NU6A-A1 (1.5m)

安装方法  
Installation method



(P)\*1



(M)\*1



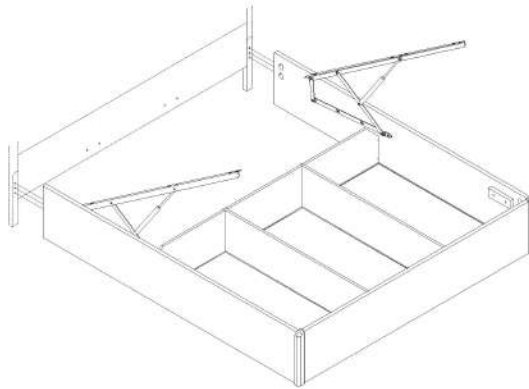
(X1)\*6



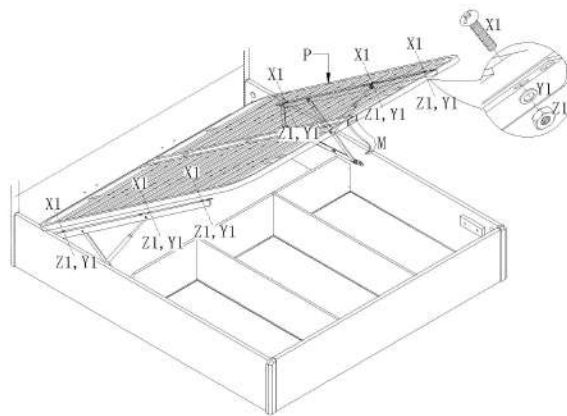
(Y1)\*6



(Z1)\*6



9



警告：  
为避免夹伤，请适当调整床板与床侧  
间隙，使缝隙少于5mm。

Warning:  
To avoid injury, Please adjust  
the gap that less than 5mm  
between the bed board and side.

10

# LINSY 林氏家居

## 安装示意图/Assembly Instruction

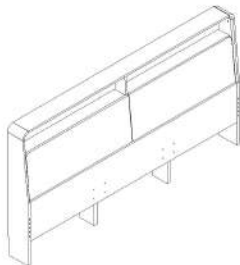
产品名称 Model NO. NU10A-A1 (1.5m)

产品规格 Specification 1560\*982\*180mm

安装工具 Tool 安装人数 Installer



注：为保证设计效果，部分尺寸为定制尺寸，不影响使用。



## 五金表/Hardware list

|  |  |  |  |
|--|--|--|--|
| (A) *34<br>二合一螺杆<br>2-in-1-screw         | (B) *38<br>大二合一锁杆<br>3-in-1 large lock       | (C) *4<br>木榫Ø8x30mm<br>Wood tenon              | (D) *8<br>灰色毛毡垫<br>Foot pad                |
| (E) *4<br>锤母M8*15彩锌<br>Hammer nut        | (F) *4<br>全牙螺杆-Ø8*100mm<br>Full thread screw | (G) *2<br>双头三合一螺杆<br>3-in-1 screw              | (H) *8<br>背板扣<br>White buckle              |
| (I) *8<br>白攻螺丝M3.5*16mm<br>Tapping screw | (J) *51<br>白攻螺丝M3.5*12mm<br>Tapping screw    | (K) *6<br>小角码-(1.1*2.1*1.5mm)<br>Small bracket | (L) *4<br>缓冲门较大号-杯控Ø35<br>Great bend hinge |
| (M) *4<br>门珠<br>Door clip                | (N) *4<br>气动杆<br>Pneumatic rod               | (O) *2<br>木榫Ø10x10mm<br>Wood tenon             | (P) *1<br>开口扳子-11mm<br>Open wrench         |
| (Q) *4<br>五合一孔盖<br>5-in-1 cover          | (R) *4<br>五合一月牙-M8<br>5-in-1 screw           | (S) *4<br>外六角螺母-M8<br>Hexagon Nut              |  |

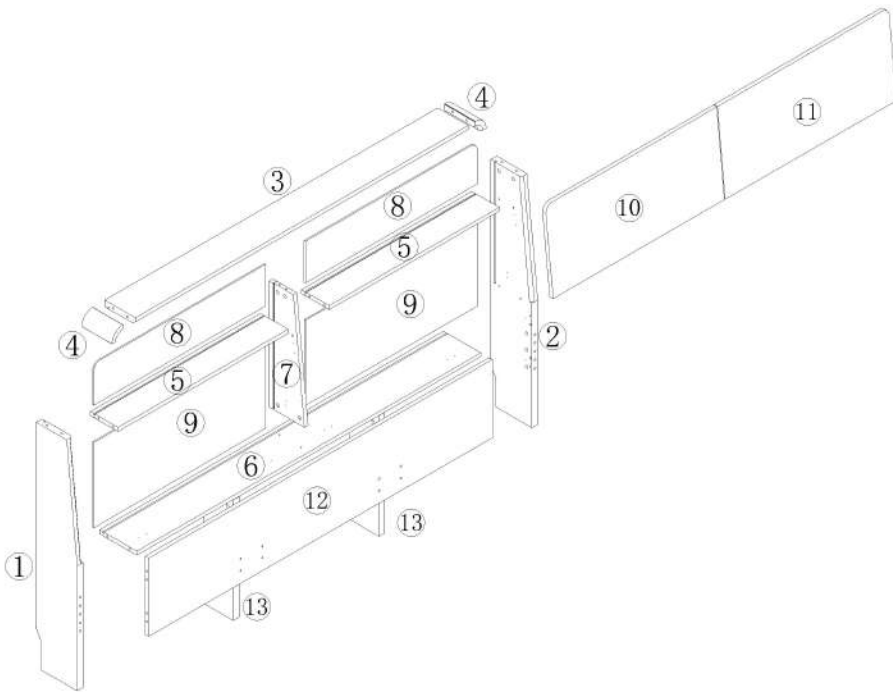
## 部件表/Parts List

| 编号NO. | 名称Name                                    | 规格(mm)<br>Specification | 数量QTY | 材质Material         |
|-------|---|-------------------------|-------|--------------------|
| ①     | 床头左脚<br>Left foot of the head of the bed  | 930*180*25              | 1     | 纤维板 Fiberboard     |
| ②     | 床头右脚<br>Right foot of the head of the bed | 930*180*25              | 1     | 纤维板 Fiberboard     |
| ③     | 床头顶线<br>Headboard top strip               | 1462*134*25             | 1     | 纤维板 Fiberboard     |
| ④     | 顶饰条1<br>Top trim bar 1                    | 134*49*49               | 2     | 橡胶木 Rubber wood    |
| ⑤     | 上层板<br>Upper shelf                        | 747.5*121*15            | 2     | 刨花板 Particle board |
| ⑥     | 下层板<br>Lower shelf                        | 1510*164*15             | 1     | 刨花板 Particle board |
| ⑦     | 中侧板<br>Middle side board                  | 480*154*15              | 1     | 刨花板 Particle board |
| ⑧     | 上背板<br>Upper back board                   | 756*158*5               | 2     | 纤维板 Fiberboard     |
| ⑨     | 下背板<br>Lower back board                   | 756*324*5               | 2     | 纤维板 Fiberboard     |
| ⑩     | 左门板<br>Door board(L)                      | 752*338*15              | 1     | 刨花板 Particle board |
| ⑪     | 右门板<br>Door board(R)                      | 752*338*15              | 1     | 刨花板 Particle board |
| ⑫     | 床头下节主板的<br>main board of bed head bottom  | 1510*298*15             | 1     | 刨花板 Particle board |
| ⑬     | 中脚<br>Middle foot                         | 459*129*25              | 2     | 刨花板 Particle board |

NU10A-A1 (1.5m)

产品分解图/exploded drawing

部件表/Parts List

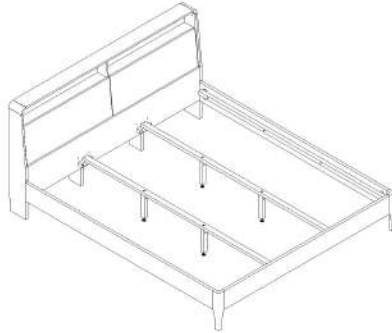


| 编号NO. | 名称Name                                    |
|-------|---|
| ①     | 床头左脚<br>Left foot of the head of the bed  |
| ②     | 床头右脚<br>Right foot of the head of the bed |
| ③     | 床头顶线<br>Headboard top strip               |
| ④     | 顶饰条1<br>Top trim bar 1                    |
| ⑤     | 上层板<br>Upper shelf                        |
| ⑥     | 下层板<br>Lower shelf                        |
| ⑦     | 中侧板<br>Middle side board                  |
| ⑧     | 上背板<br>Upper back board                   |
| ⑨     | 下背板<br>Lower back board                   |
| ⑩     | 左门板<br>Door board (L)                     |
| ⑪     | 右门板<br>Door board (R)                     |
| ⑫     | 床头下节主板<br>main board of bed head bottom   |
| ⑬     | 中脚<br>Middle foot                         |

NU10A-A1 (1.5m)

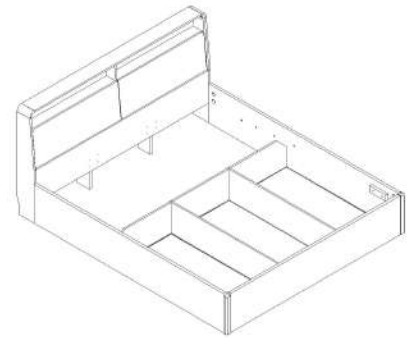
安装方法/Installation  
method

**NU10A-A1 1.5m普通床**  
NU10A-A1 1.5m bedside storage ordinary bed



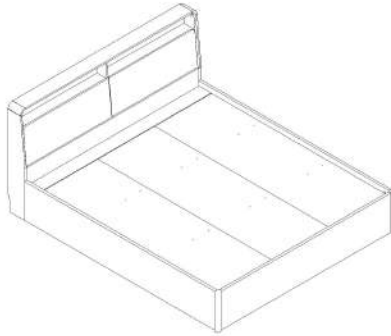
床垫厚度建议: 180~220mm  
产品规格: 2215\*1560\*982mm  
Specification

**NU11A-A 1.5m床头储物高箱床**  
NU11A-A 1.5m Headrest Storage High Box Bed



床垫厚度建议: 120~150mm  
产品规格: 2220\*1585\*982mm  
Specification

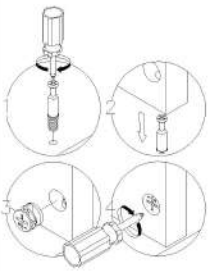
**NU12A-A1 1.5m侧开高箱床**  
NU12A-A1 1.5m bedside storage side high box bed



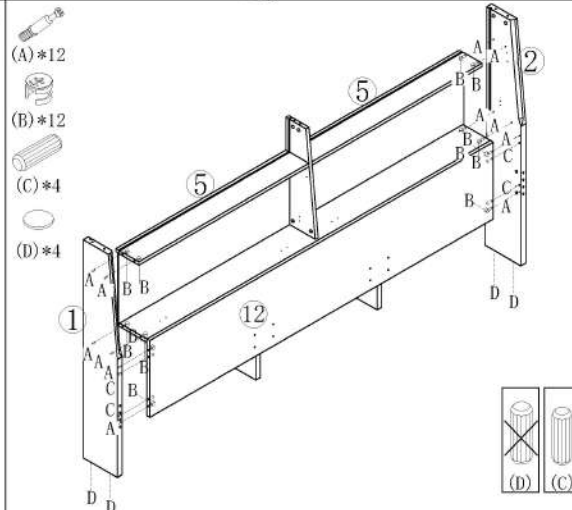
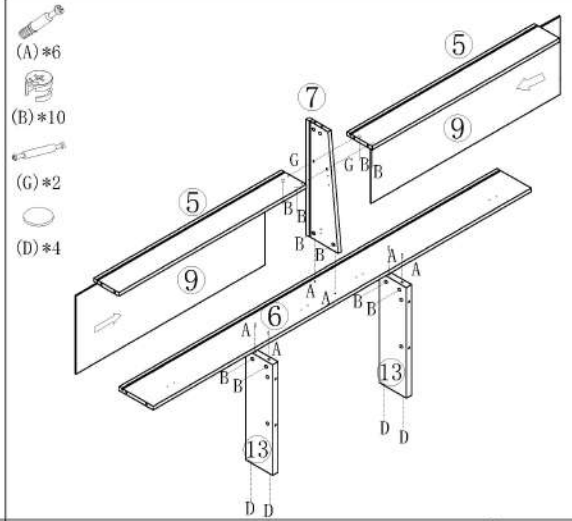
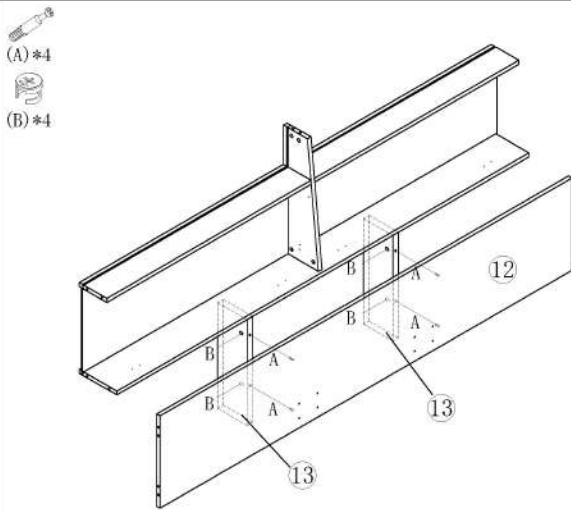
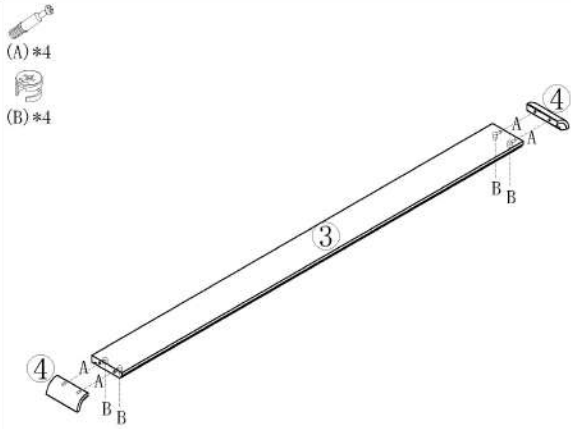
床垫厚度建议: 120~150mm  
产品规格: 2220\*1585\*982mm  
Specification

NU10A-A1 (1.5m)

安装方法/Installation method

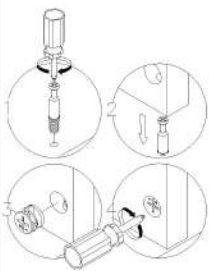


二合一 two-in-one

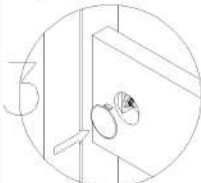
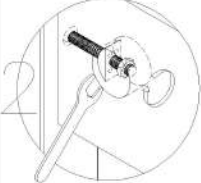


NU10A-A1 (1.5m)

安装方法/Installation method

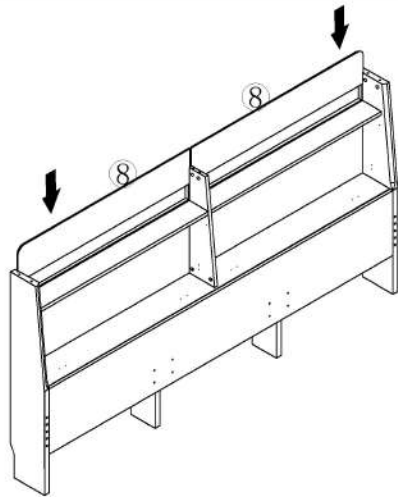


二合一 two-in-one

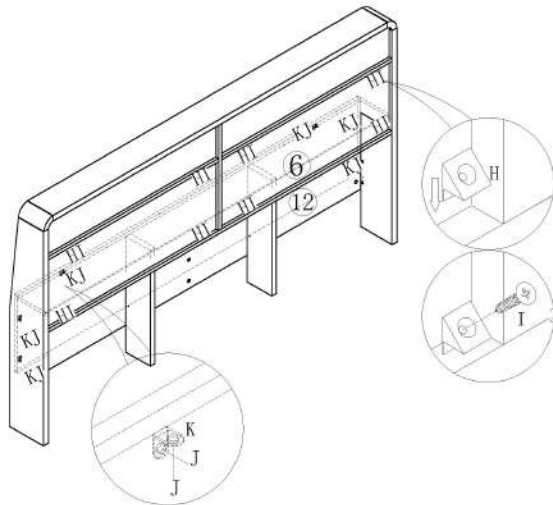
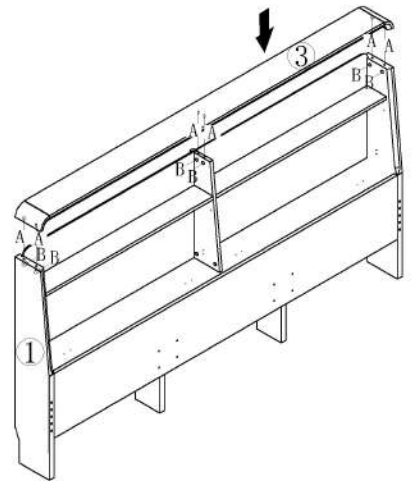


五合一 5-in-1

- (H) \*8
- (I) \*8
- (J) \*12
- (K) \*6



- (A) \*6
- (B) \*6



NU10A-A1 (1.5m)

安装方法/Installation method

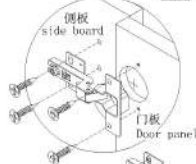
大弯big bend



中弯middle bending



直弯straight bending



调节上下  
Adjust up and down



调节左右  
Adjust left and right



调节前后  
Before and after adjustment



门铰Hinge



(J) \*36



(L) \*4



(M) \*4



(N) \*4

