

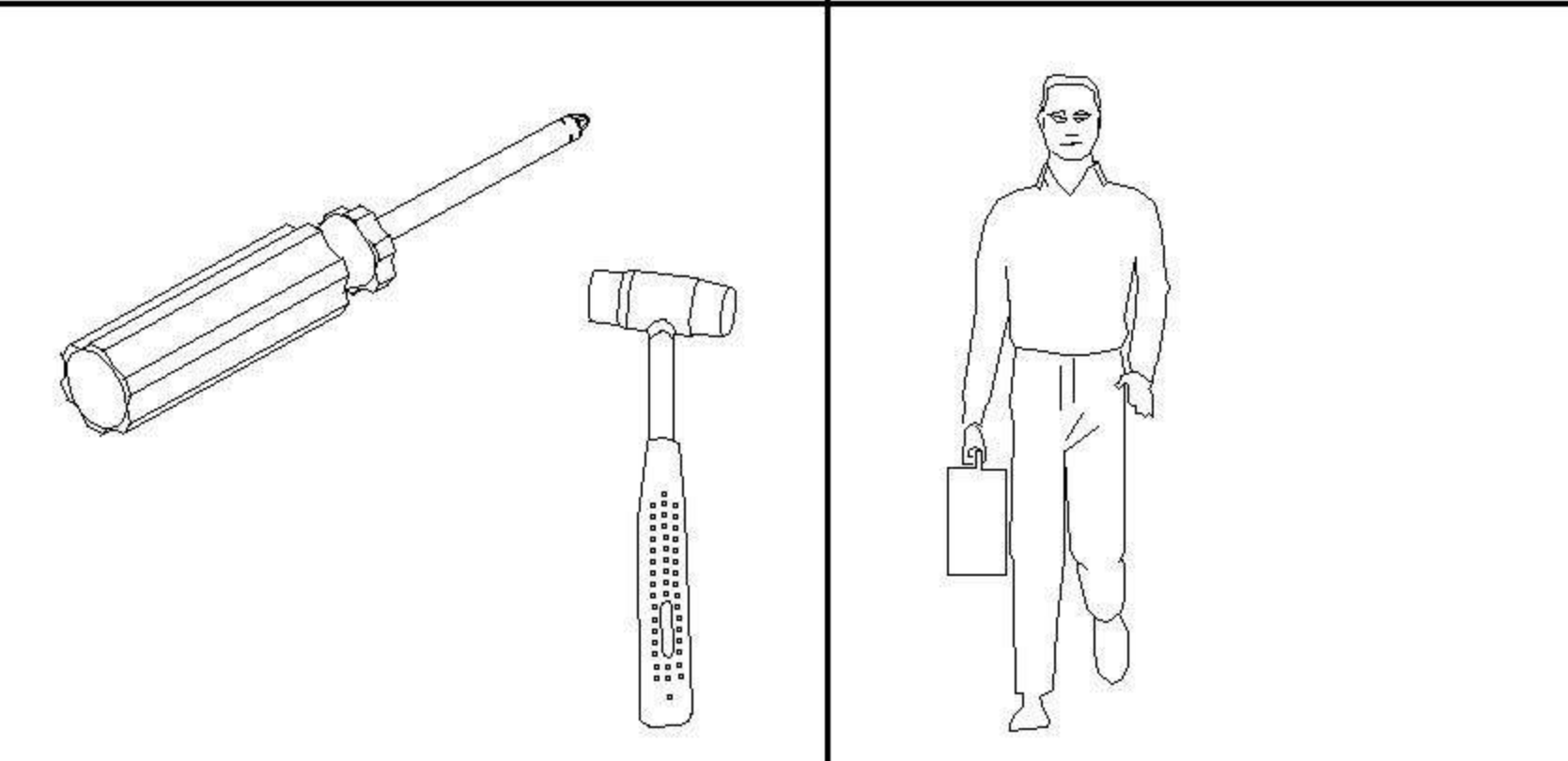
LINSY 林氏家居

五金表/Hardware list

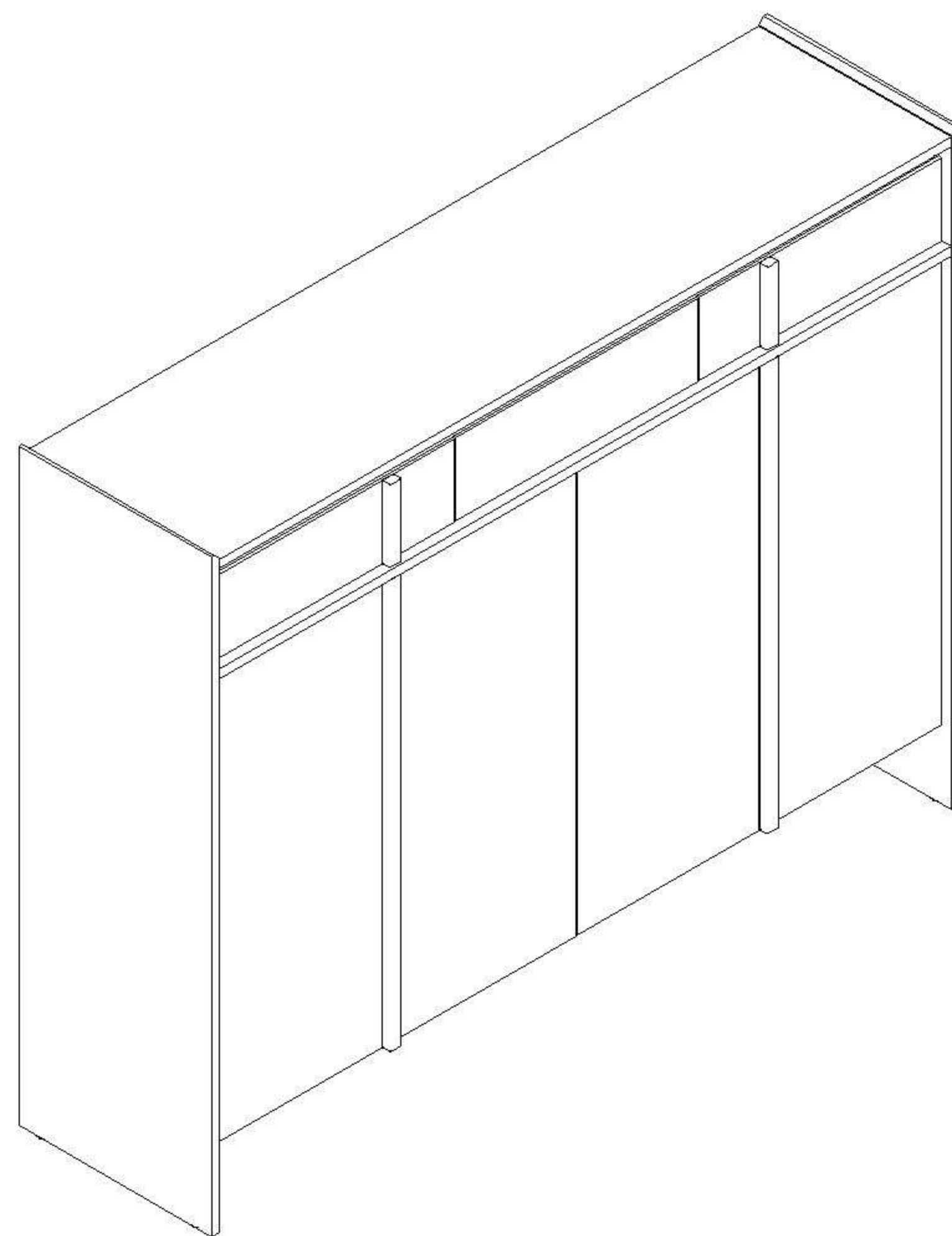
部件表/Parts List

安装示意图/Assembly Instruction

产品名称 Model NO.	鞋柜
产品型号 Product Model	YZ1N-A(1.4m)
尺寸规格 Specification	(1398*360*1103)mm
安装工具 Tool	安装人数 Installer



注：为保证设计效果，部分尺寸为定制尺寸，不影响使用。



(A)* 3 三节滚珠导轨-8" three-section ball rail	(B)* 1 线条L=1367 Backplane slot	(C)* 51 自攻螺丝M3.5x14mm斜边十字螺杆-M8x30	(D)* 1
(E)* 13 背板扣 Back Plate Buckle-White	(F)* 24 层板托 shelf support	(G)* 4 缓冲门铰大弯-Ø35 Hinge-big bends	(H)* 63 二合一螺杆 2-in-1-screw
(I)* 63 大三合一锁饼 Three-in-one large lock	(J)* 21 木榫Ø8x30mm wood tenon	(K)* 1 家具防倒器-白色 Anti-fall device white	(L)* 4 灰色毛毡脚垫 Footrest - Grey
(M)* 4 透气孔盖-白色 Vent cover - white	(N)* 1 脚-(直径30*126mm) Hardware feet	(O)* 4 缓冲门铰中弯-Ø35 Hinge-middle bending	

编号NO.	名称Name	规格 (mm) Specification	数量 QTY	材质Material
①	右侧板 Side board(R)	1100*360*15	1	刨花板Particle board
②	左侧板 Side board(L)	1100*360*15	1	刨花板Particle board
③	面板 Top panel	1368*358*15	1	刨花板Particle board
④	底板 Bottom board	1368*327*15	1	刨花板Particle board
⑤	前拉条 Front brace	1368*95*15	1	刨花板Particle board
⑥	后拉条 Back brace	1368*95*15	1	刨花板Particle board
⑦	前档条 Front blocking strip	1368*45*15	1	刨花板Particle board
⑧	上背板 Upper back board	1368*162*15	1	刨花板Particle board
⑨	下背板 Lower back board	1378*379*5	2	纤维板Fiberboard
⑩	下中隔板 Lower middle clapboard	751*311*15	1	刨花板Particle board
⑪	上中隔板 Upper middle clapboard	296*162*15	2	刨花板Particle board
⑫	边门板组立 Side door panel assembly	764*339.5*30	2	刨花板+橡胶木Particle board+Rubber wood
⑬	中门板 Middle door board	764*339.5*15	2	刨花板Particle board
⑭	右抽面组立 Drawer panels assembly(R)	453*135*30	1	刨花板+橡胶木Particle board+Rubber wood
⑮	左抽面组立 Drawer panels assembly(L)	453*135*30	1	刨花板+橡胶木Particle board+Rubber wood
⑯	抽屉侧板 Drawer's sideboard	260*78*15	6	刨花板Particle board
⑰	抽屉后板 Drawer's Back board	420*78*15	3	刨花板Particle board
⑱	抽屉底板 Drawer's Bottom board	400*270*5	3	纤维板Fiberboard
⑲	大活动层板 Large Movable shelf	675.5*298*15	6	刨花板Particle board
⑳	中抽屉面板 Drawer's middle board	453*135*15	1	刨花板Particle board

►注意：防倒器一定要按图安装！

►Be careful:The anti fall device must be installed!

►注：门和抽屉都是设计所需设计缝，小心夹伤！

►Note: The doors and drawers are designed with necessary seams. Be careful not to pinch!

LINSY 林氏家居

安装示意图/Assembly Instruction

产品名称 Model NO.

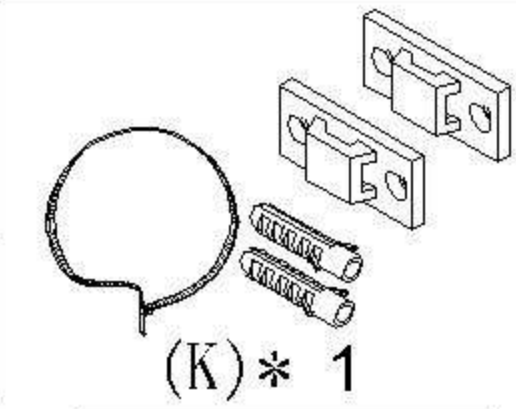
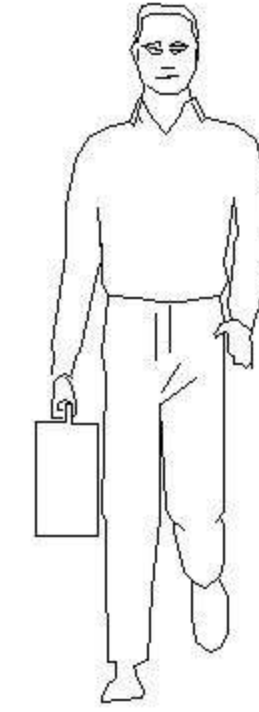
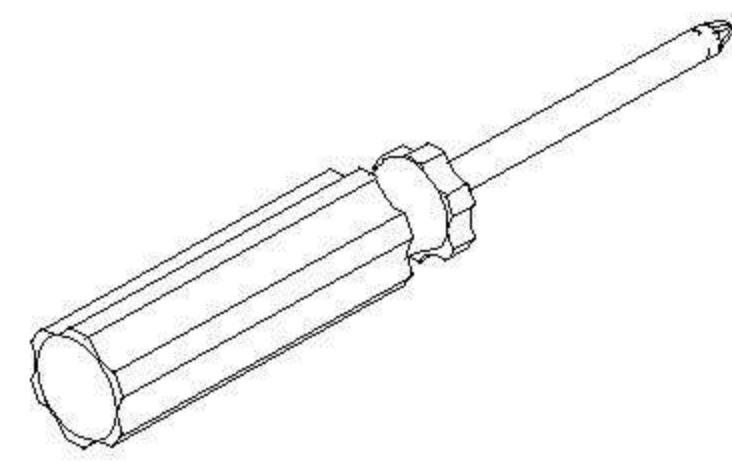
Anti-fall device

产品规格 Specification

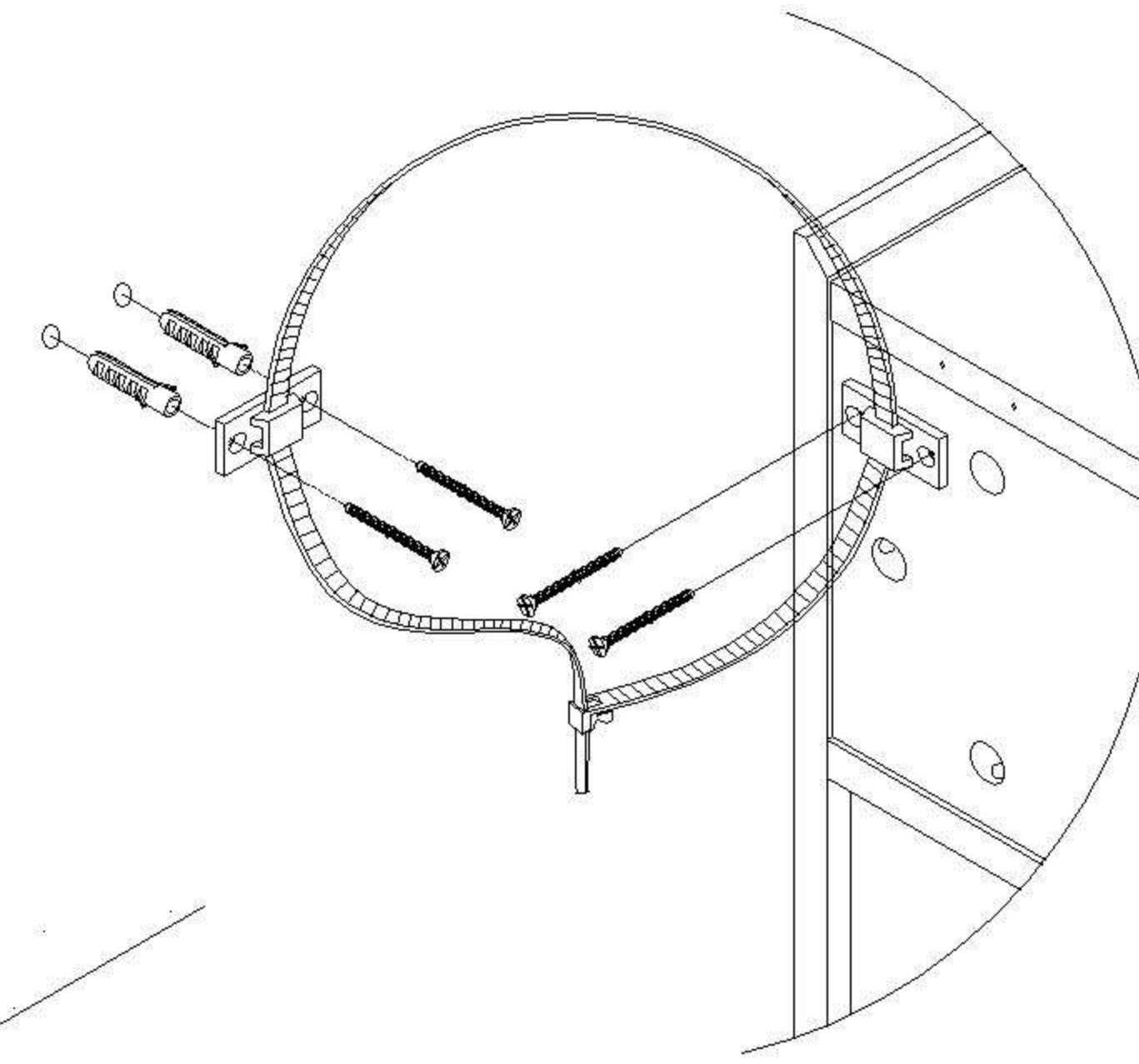
-

安装工具 Tool

安装人数 Installer

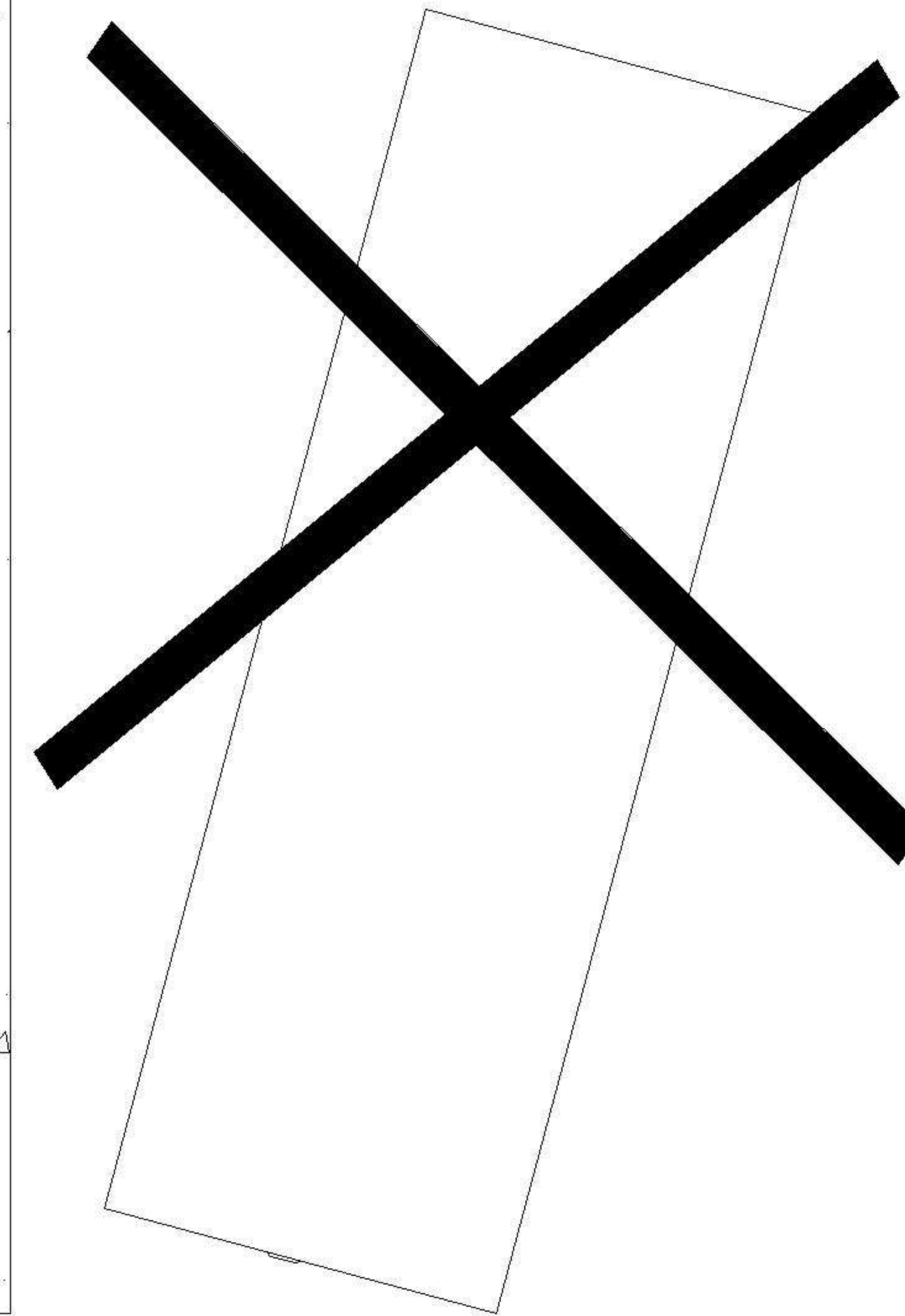
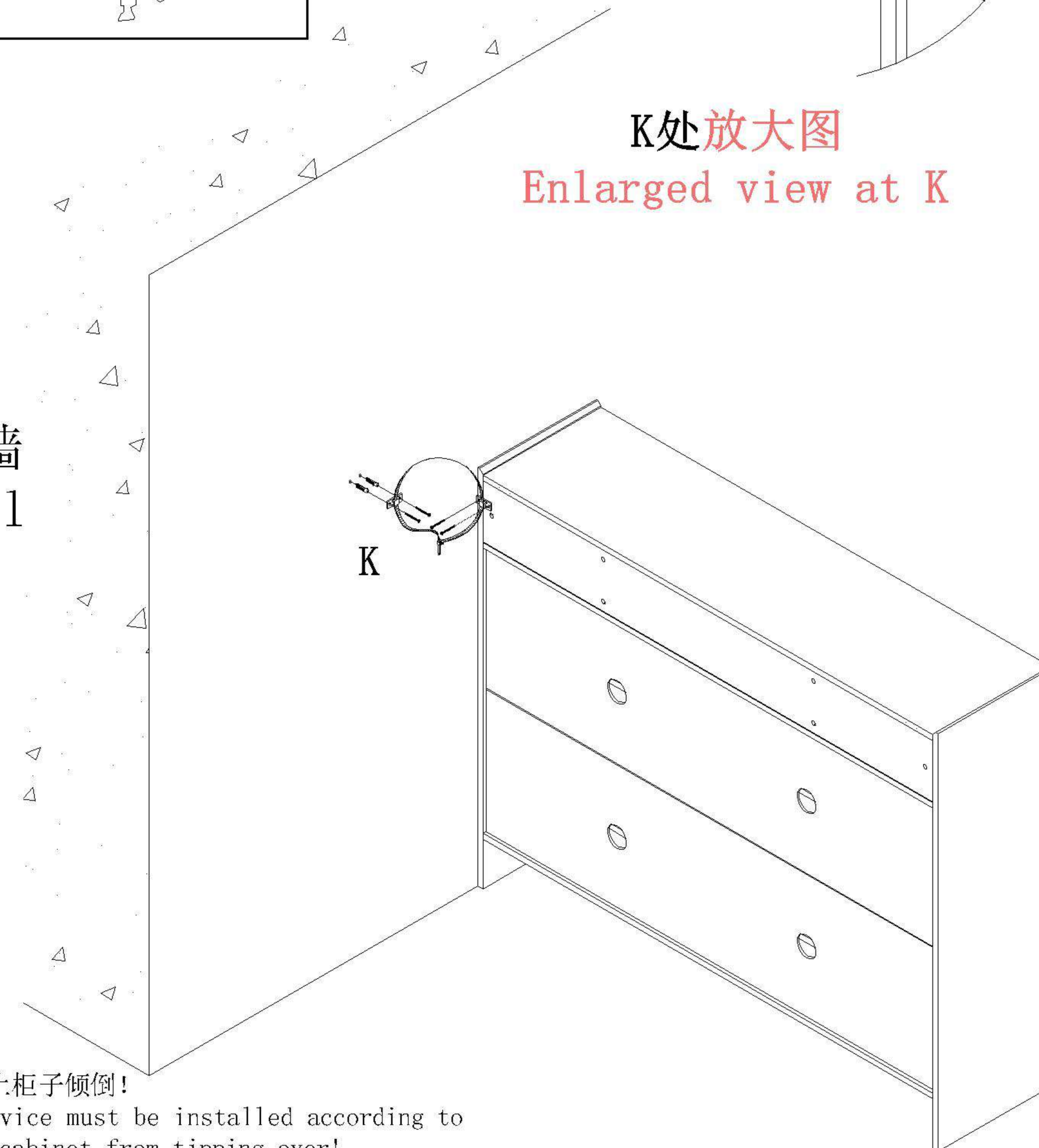


(K)* 1
家具防倒器-白色
Anti-fall device
white



K处放大图
Enlarged view at K

实体墙
Solid wall



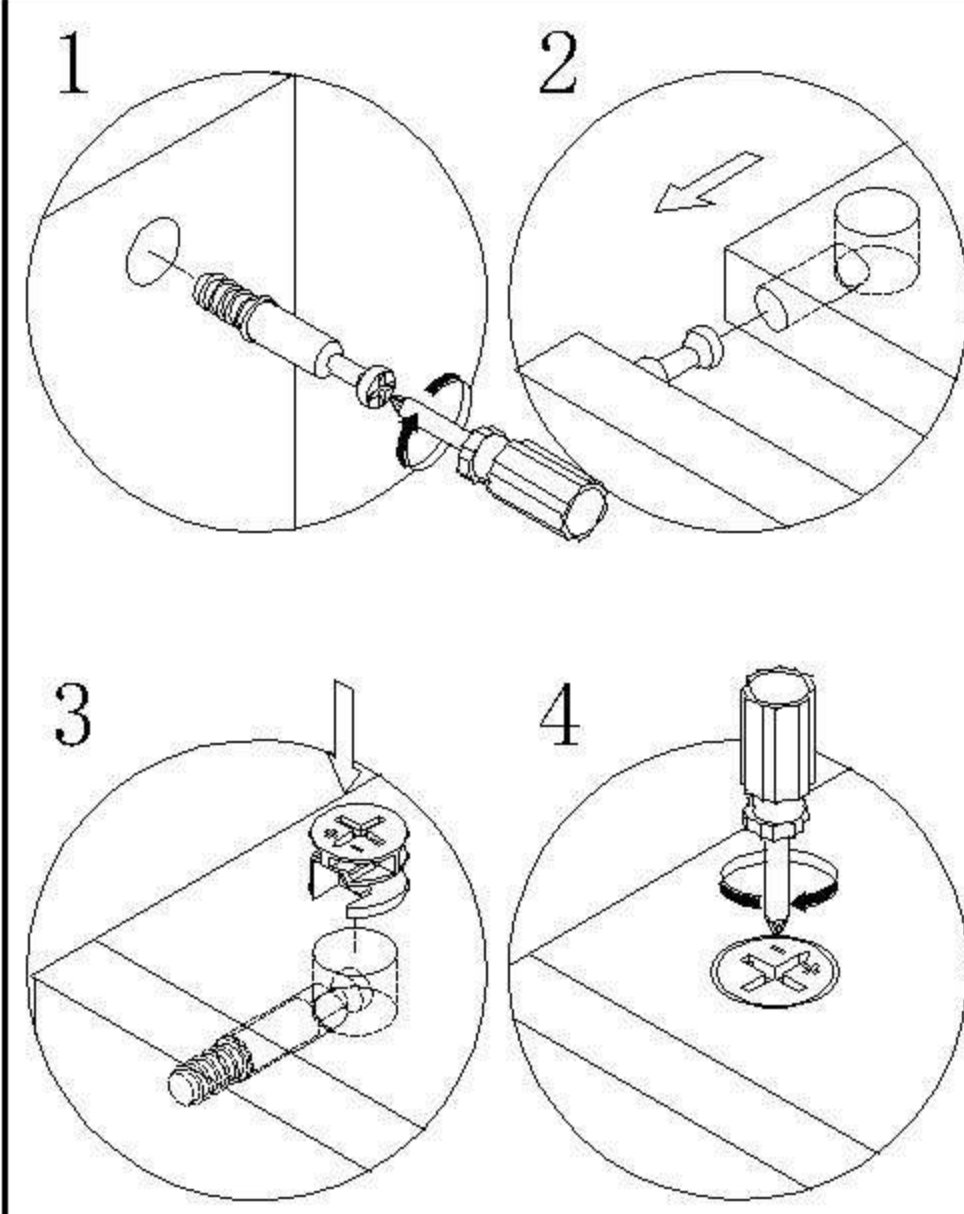
注意:

防倒器一定要按图安装, 为防止柜子倾倒!

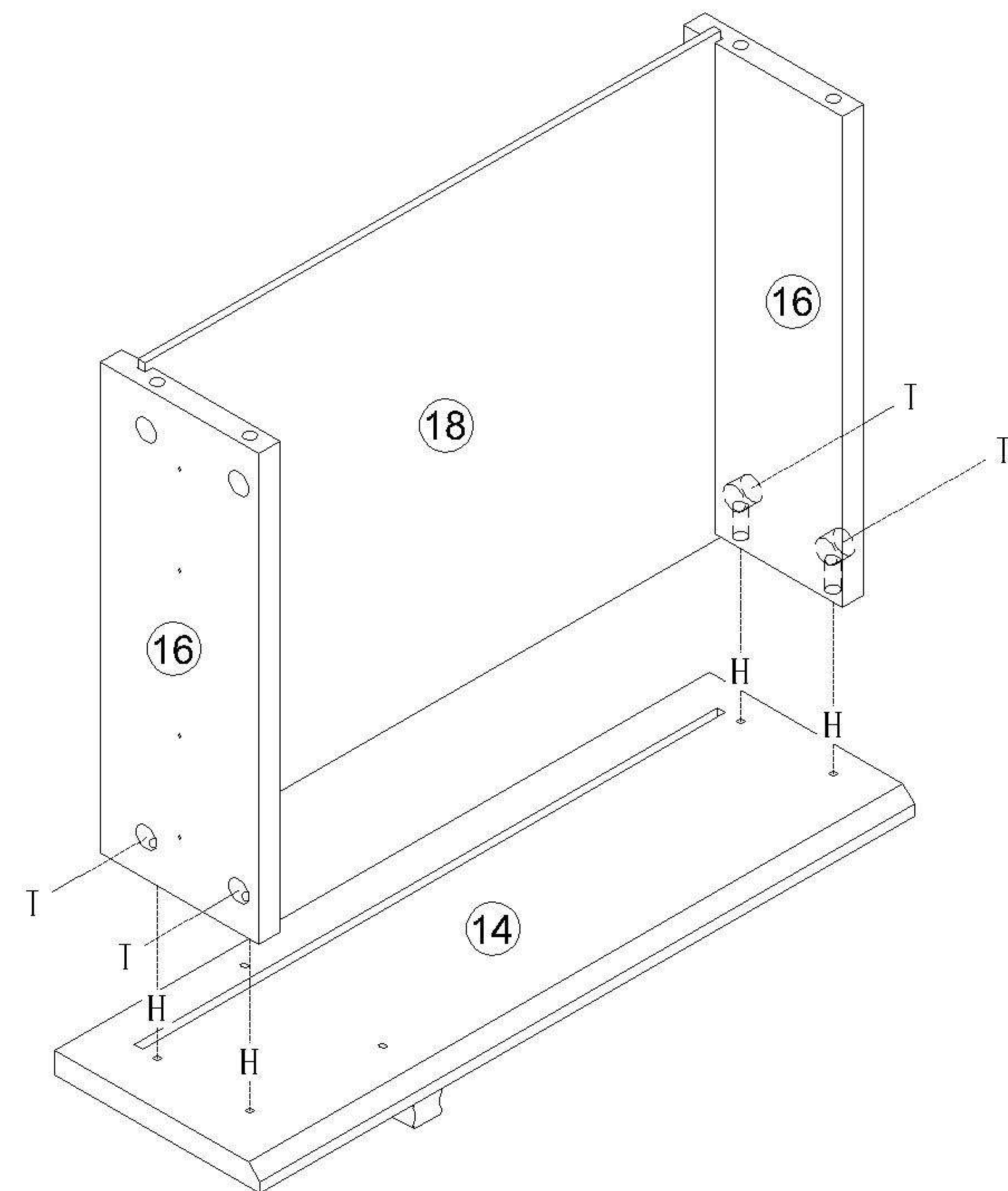
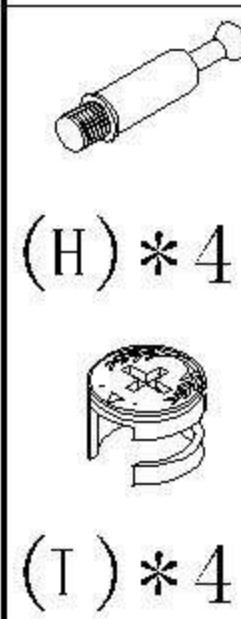
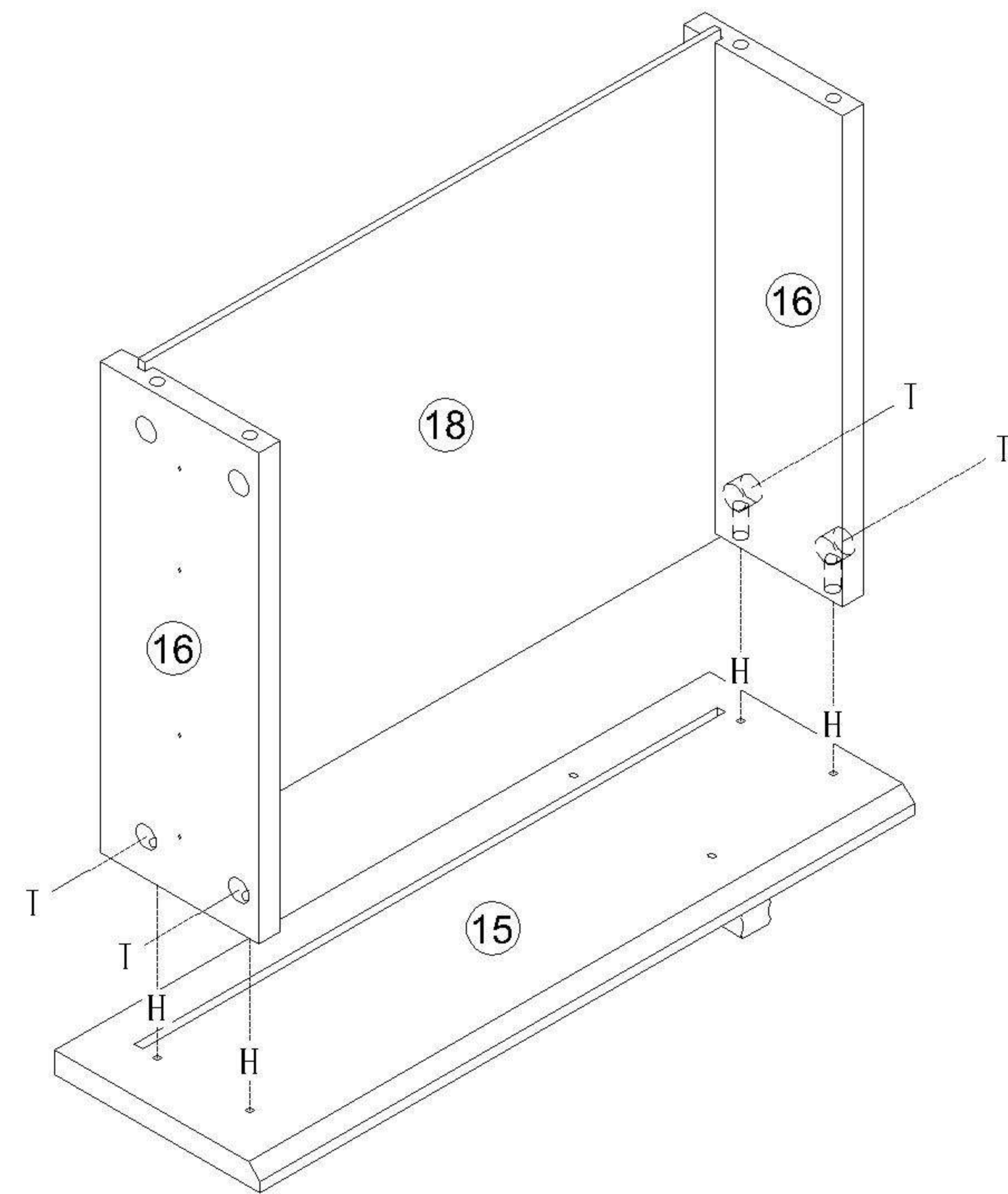
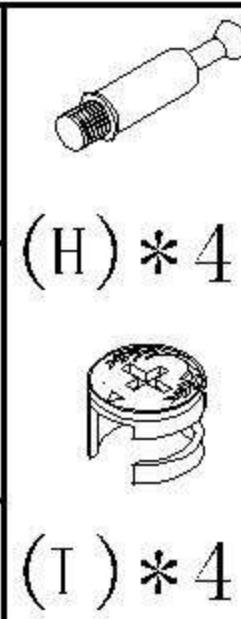
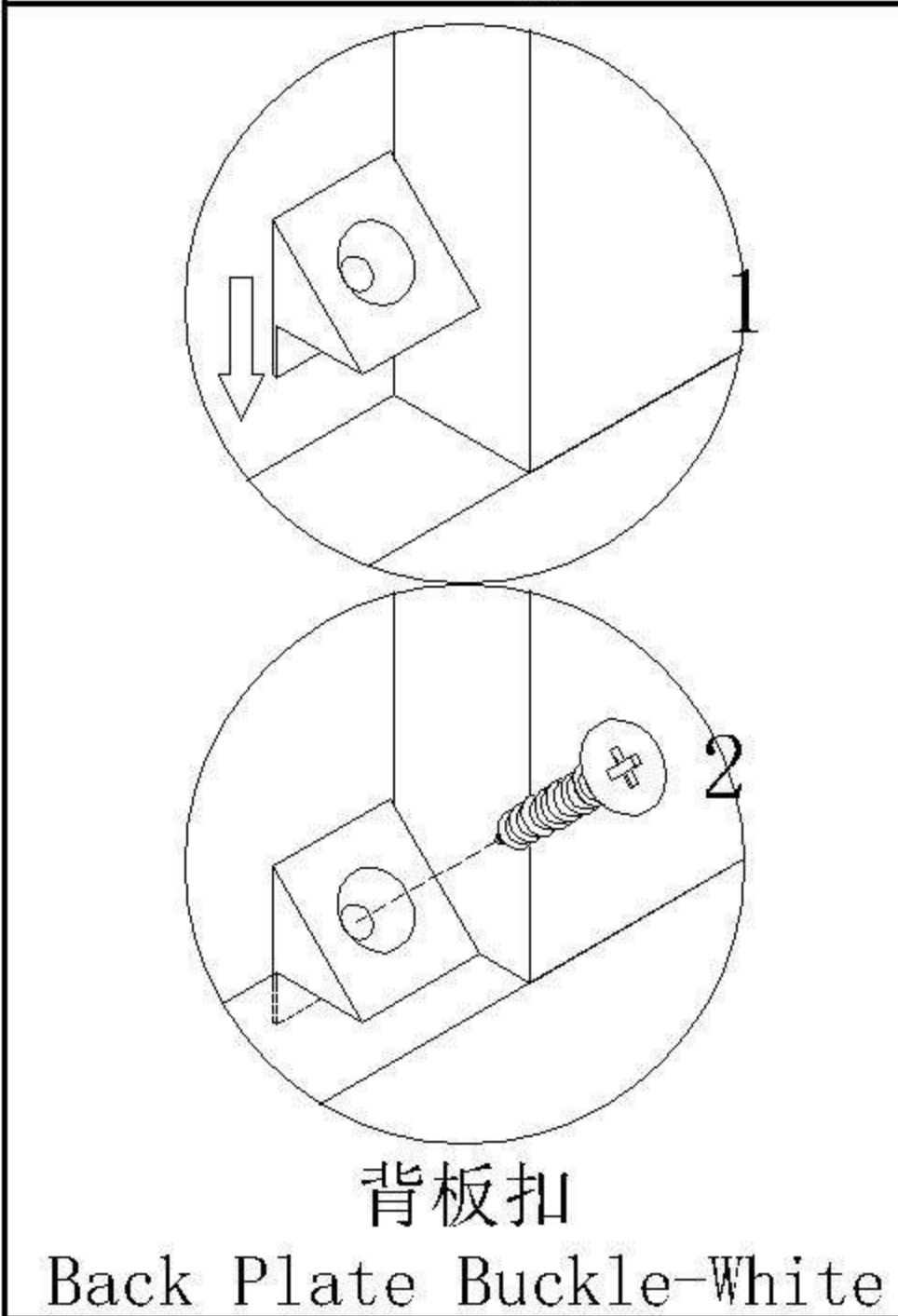
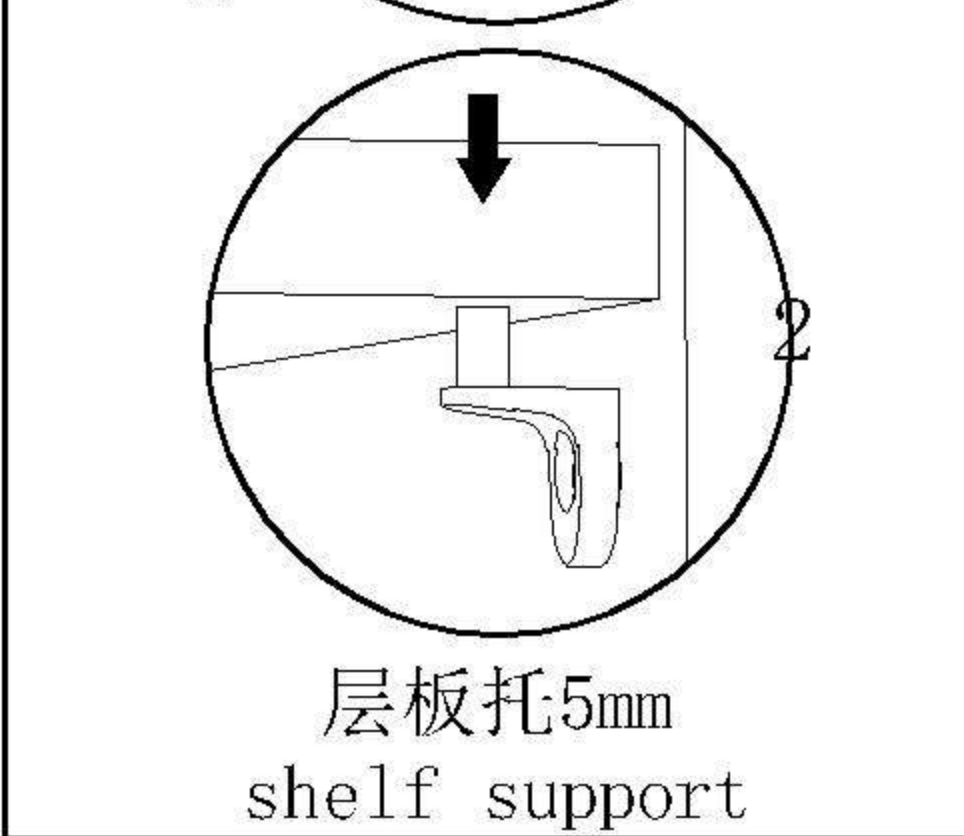
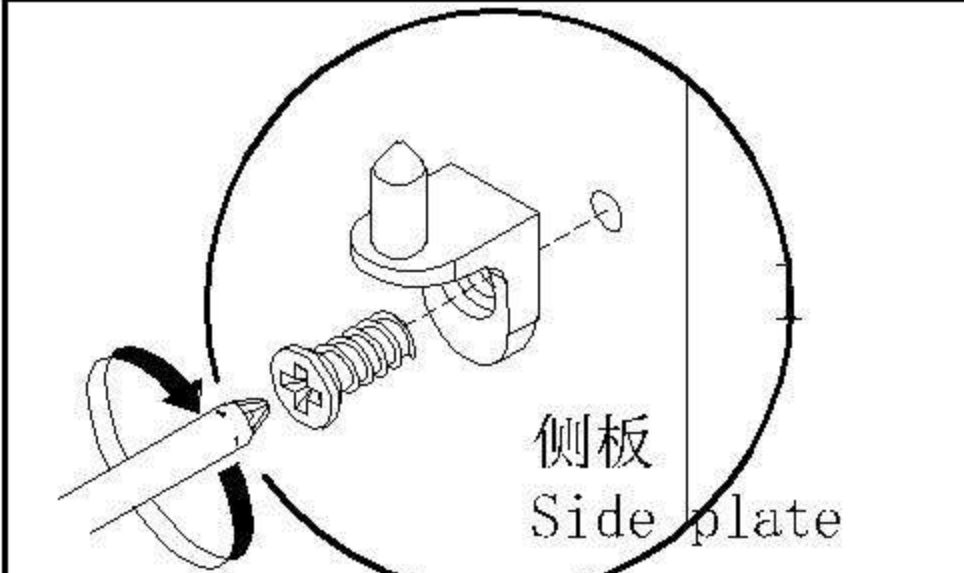
be careful: The anti fall device must be installed according to the diagram to prevent the cabinet from tipping over!

YZ1N-A (1.4m)

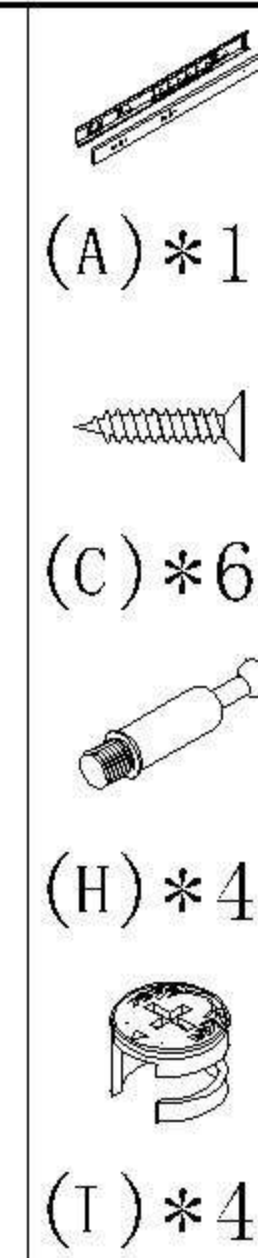
安装方法/
Installation method



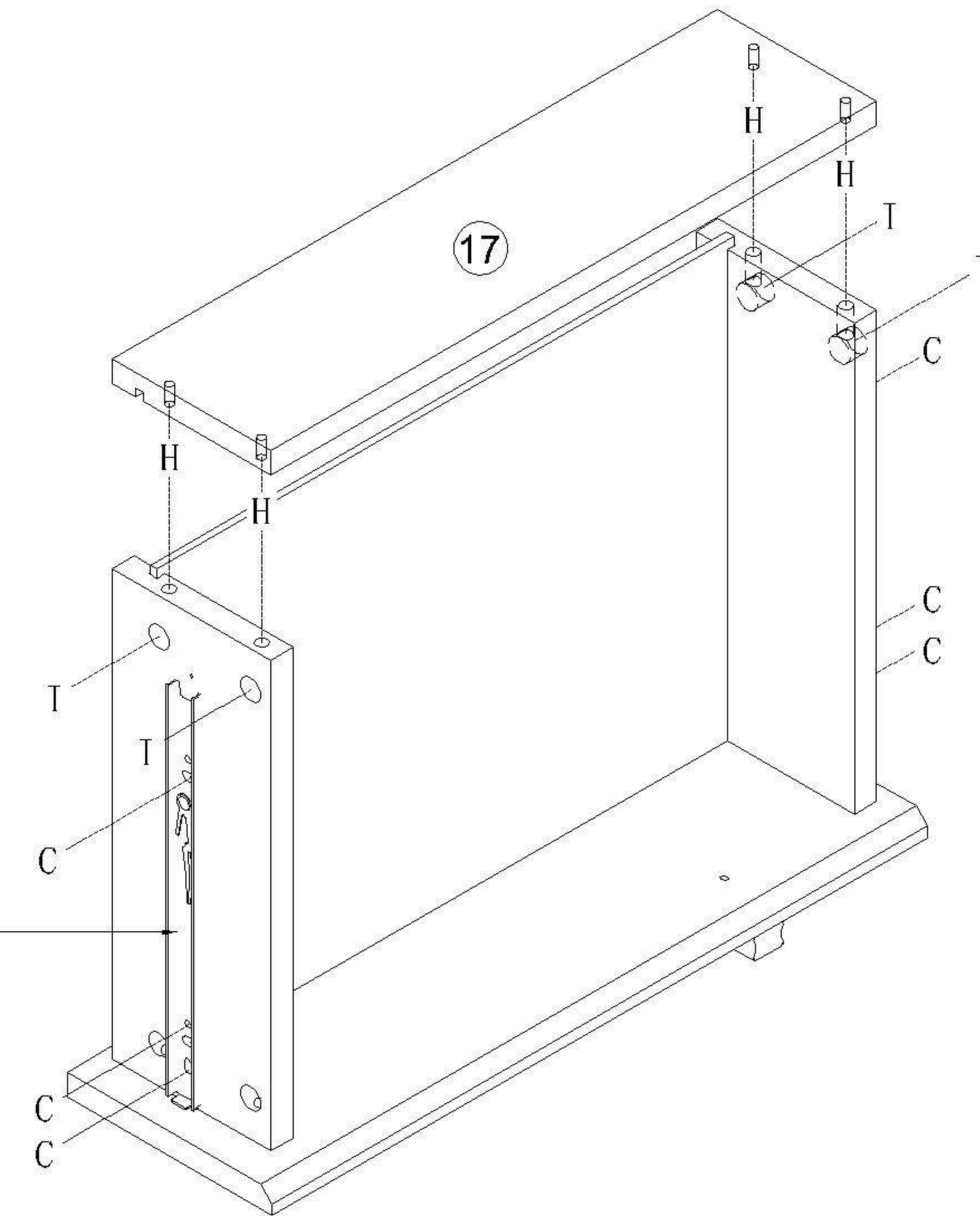
大二合一
two-in-one



1

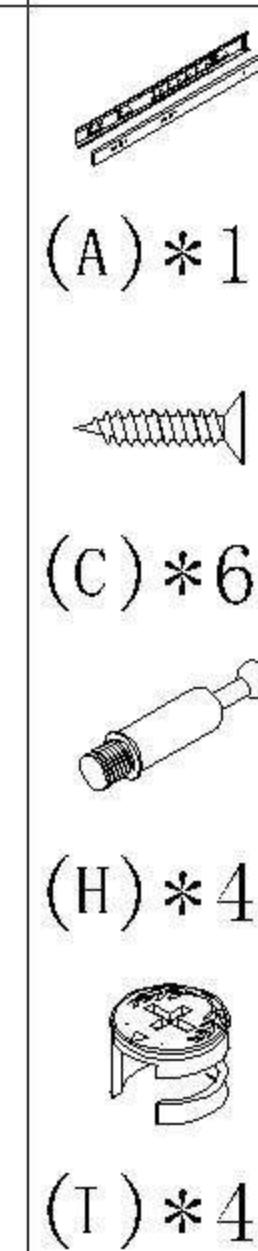


(A) 副轨
Sub rail

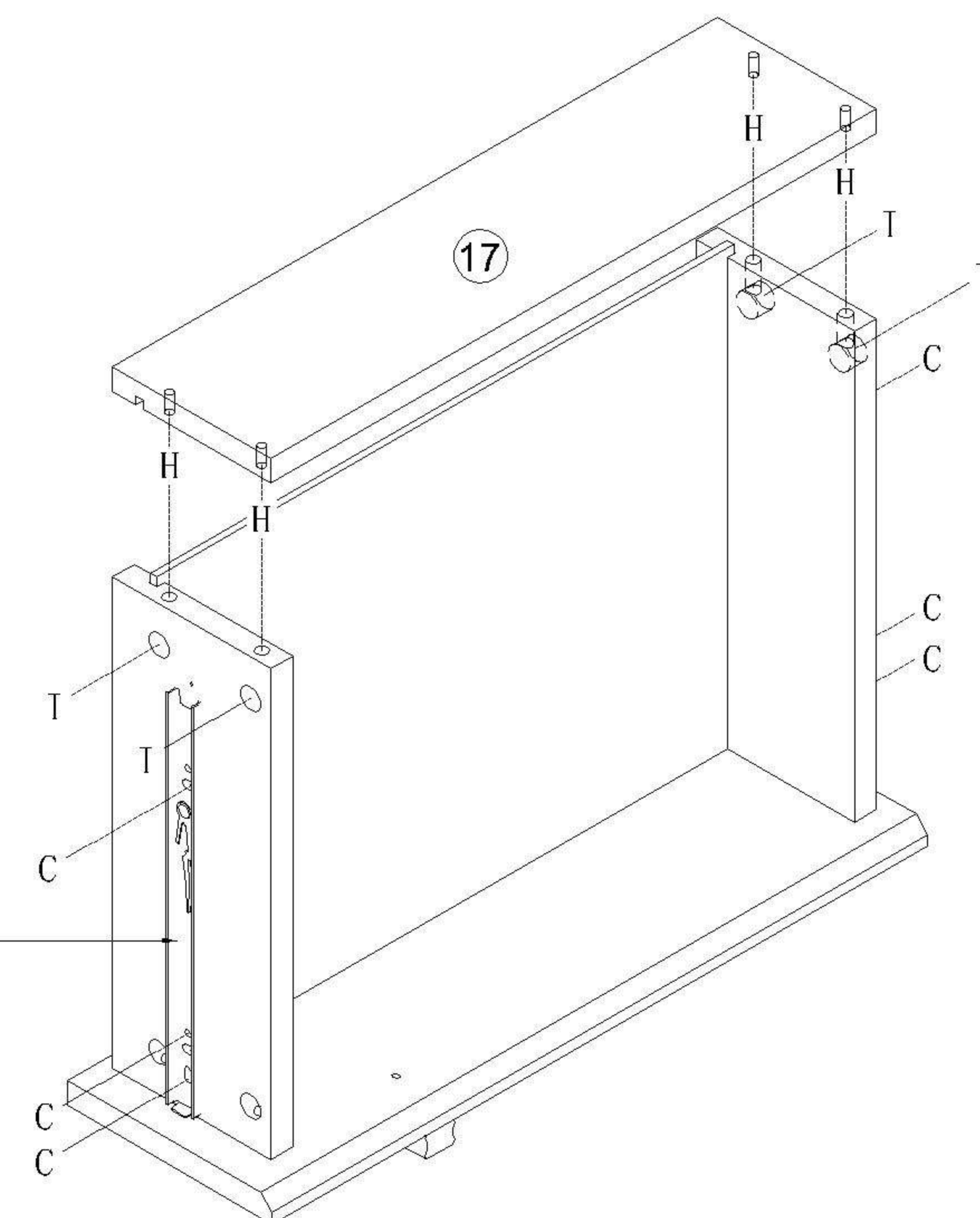


2

3



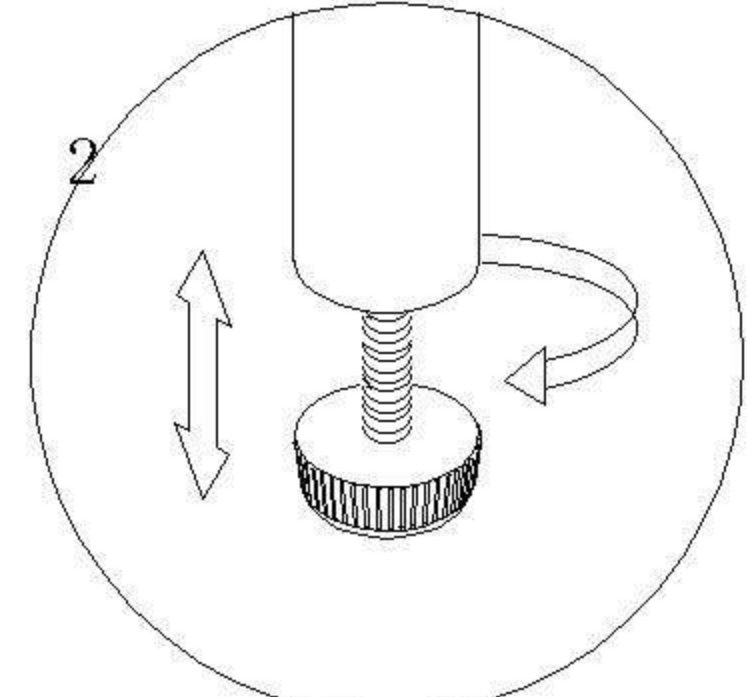
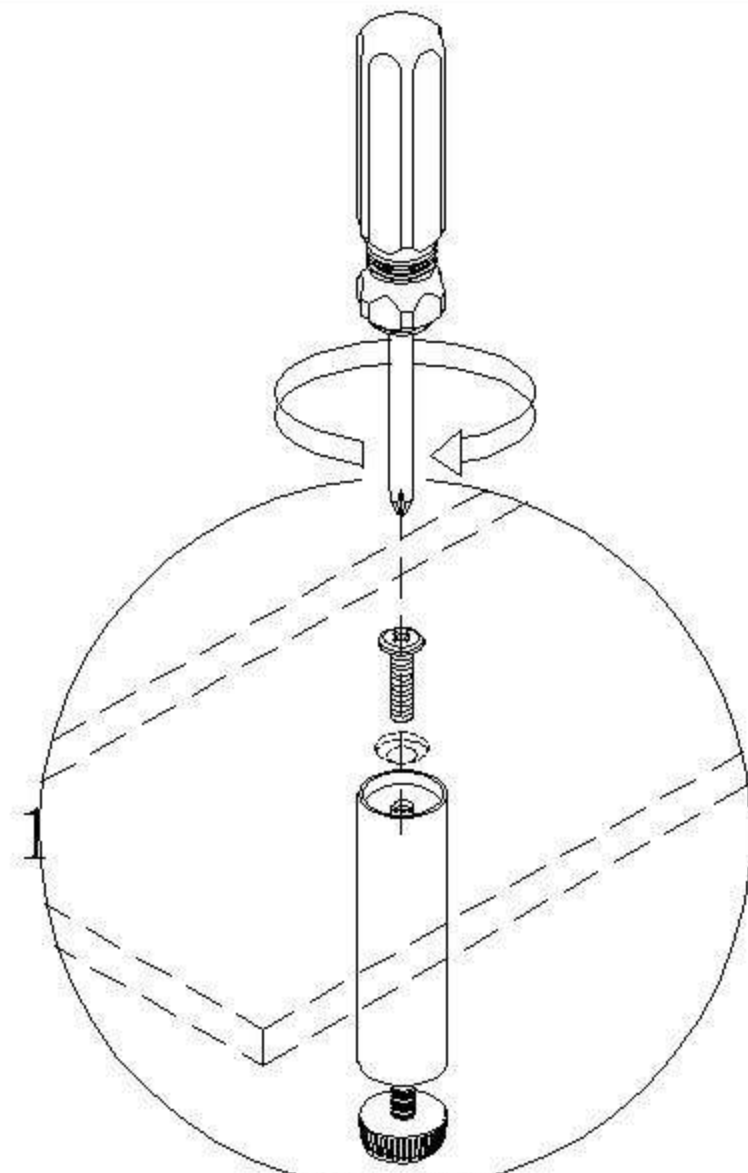
(A) 副轨
Sub rail



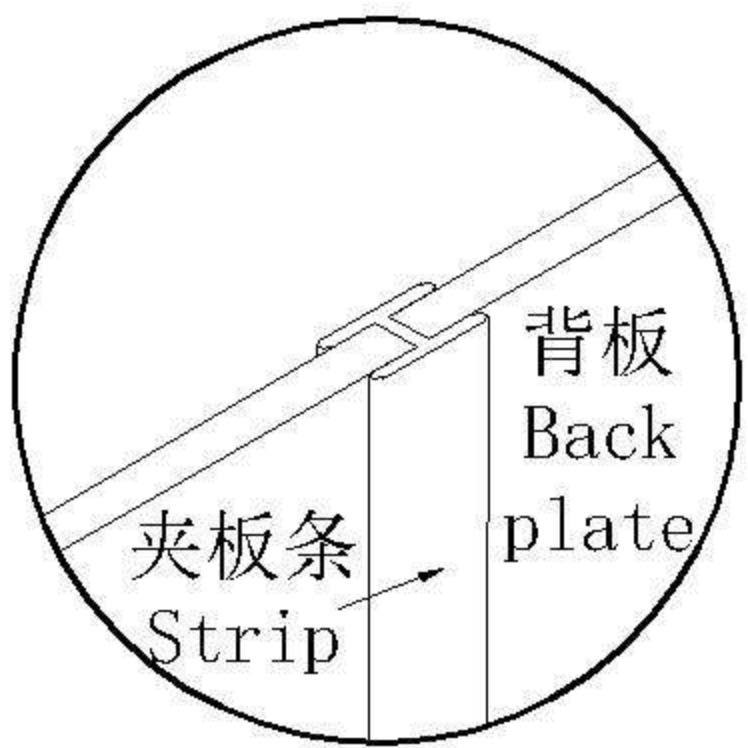
4

YZ1N-A(1.4m)

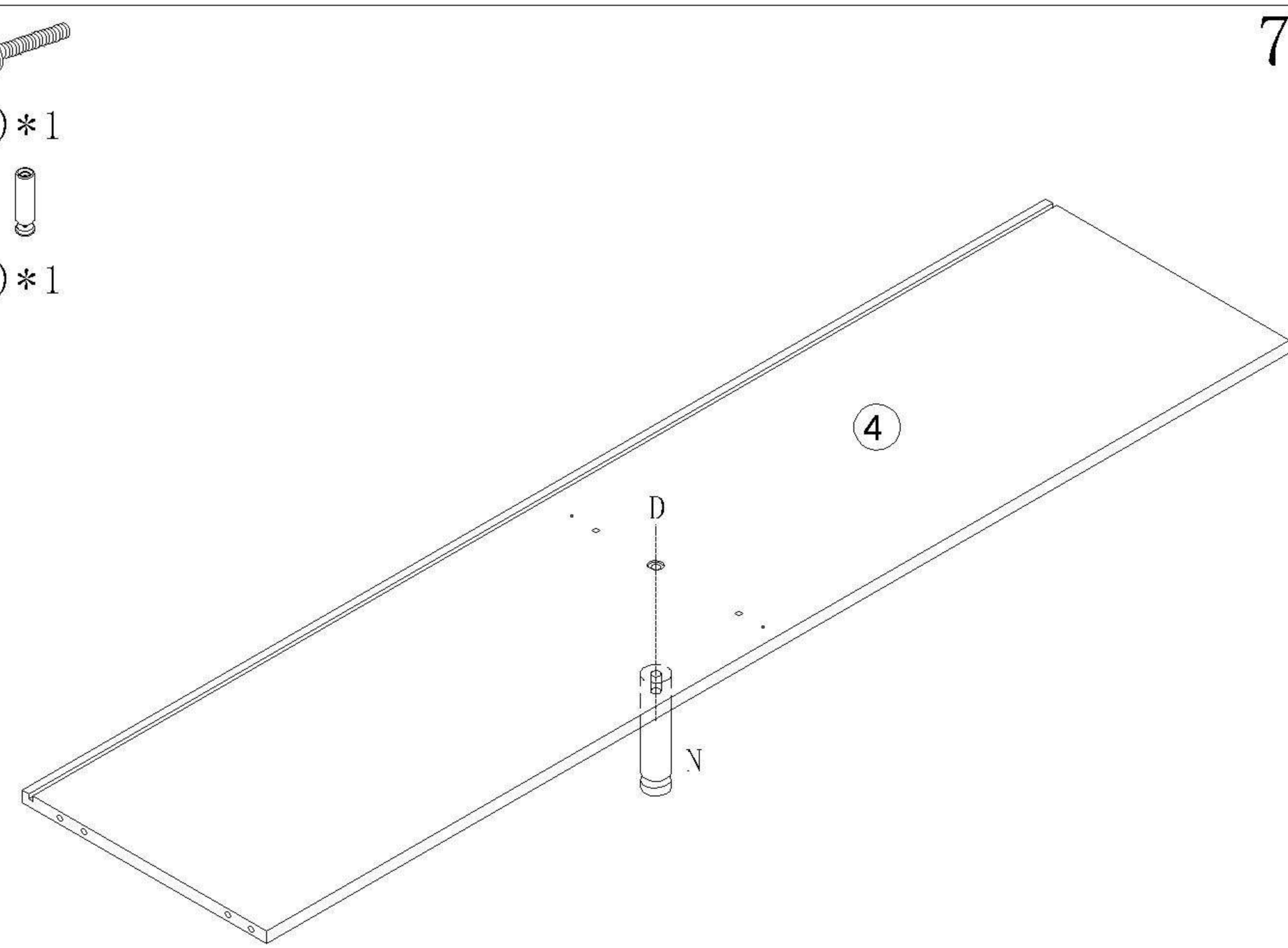
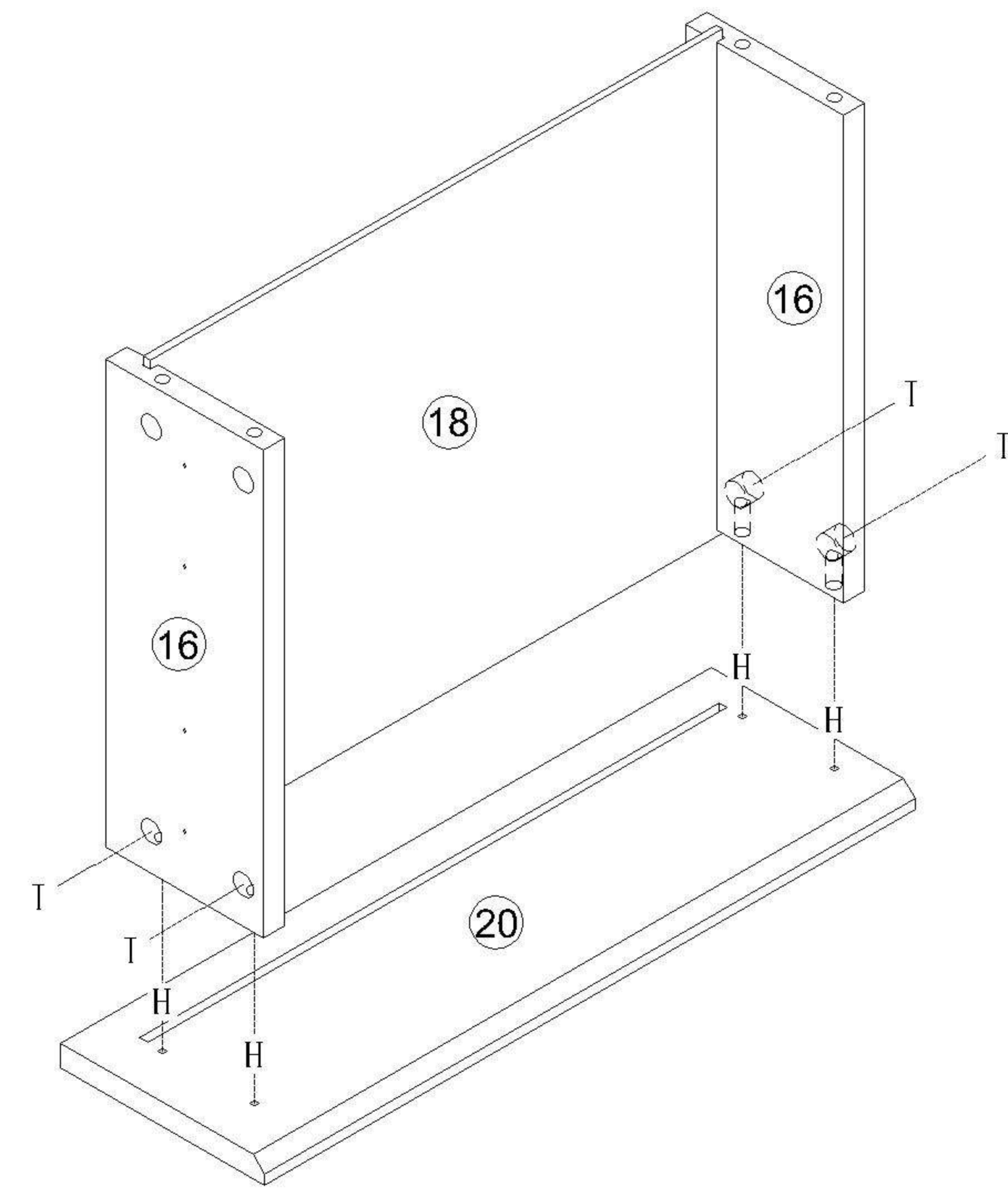
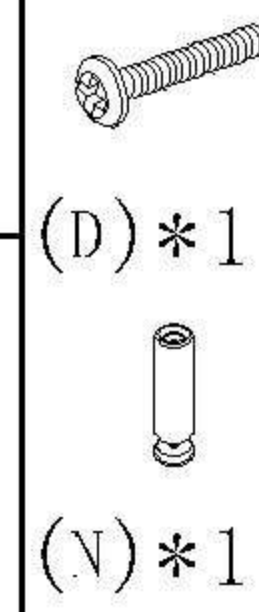
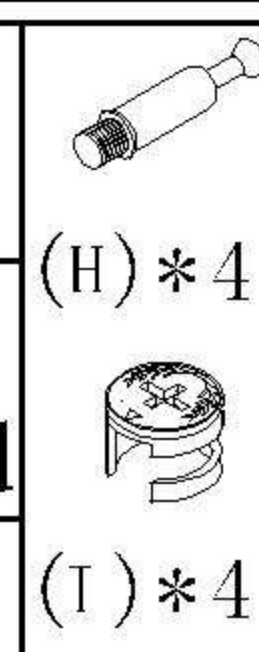
安装方法/
Installation method



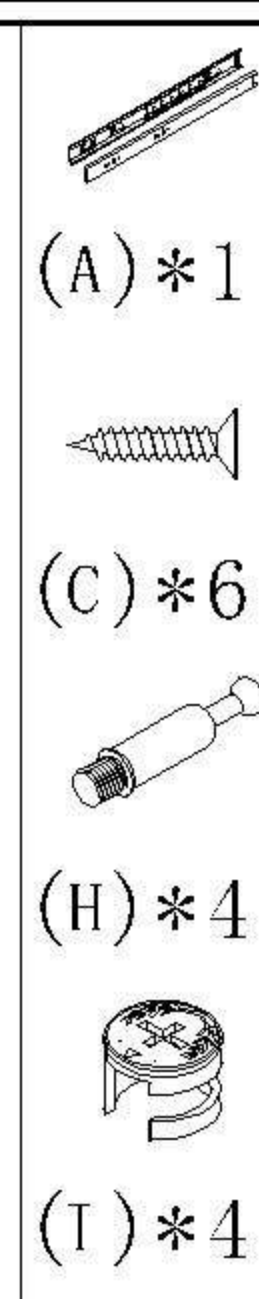
铁中脚
Support foot



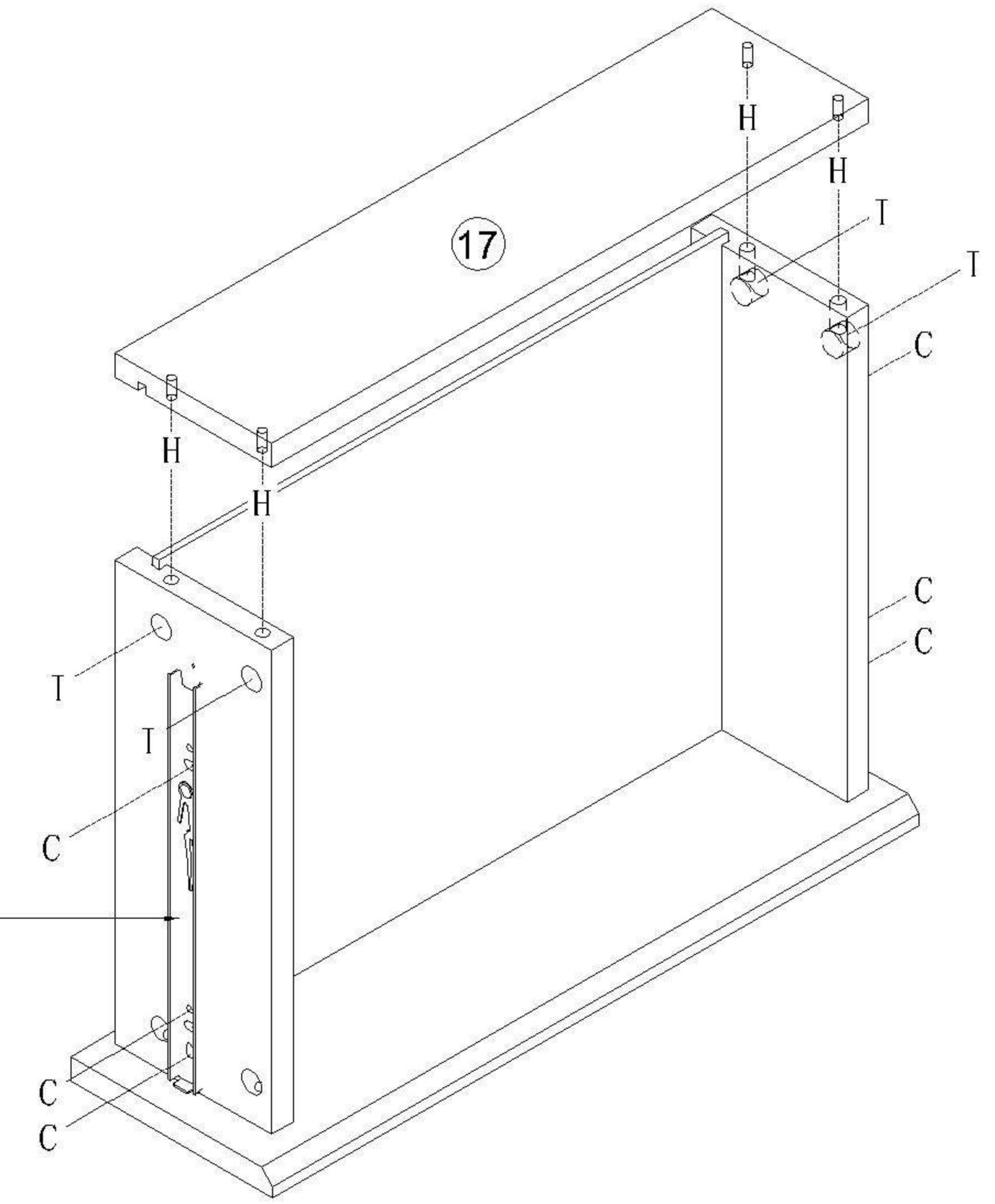
夹板条
Strip



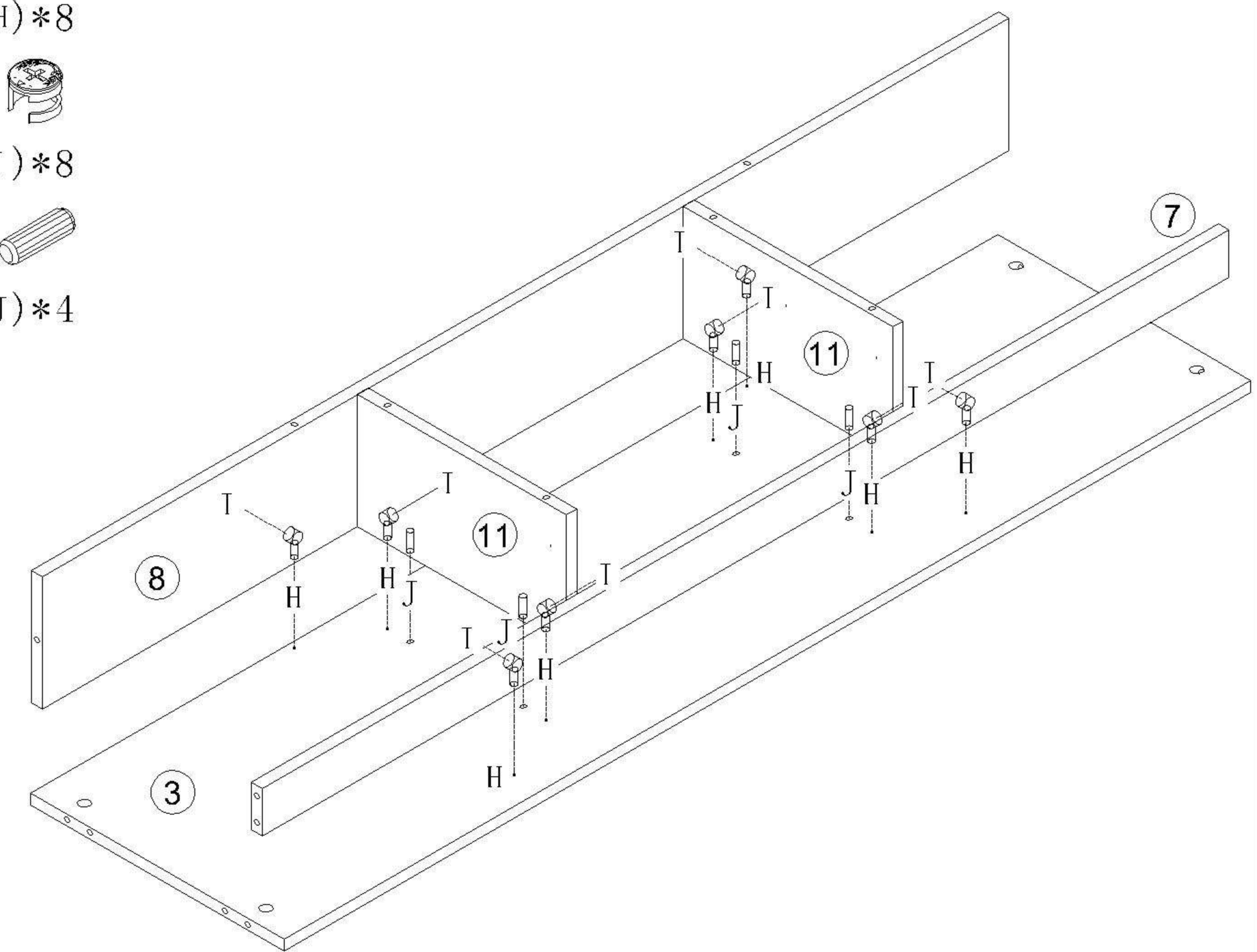
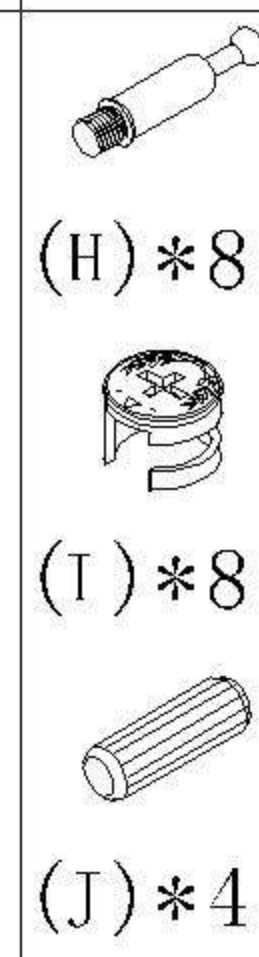
5



(A) 副轨
Sub rail



7



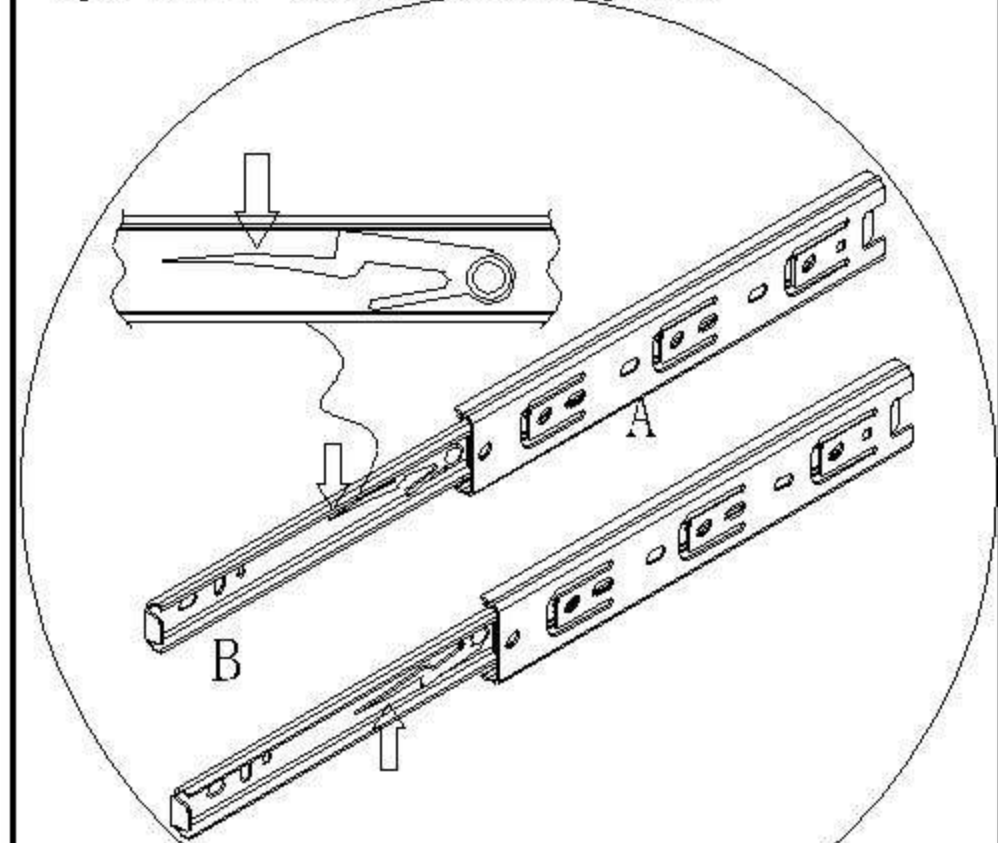
6

8

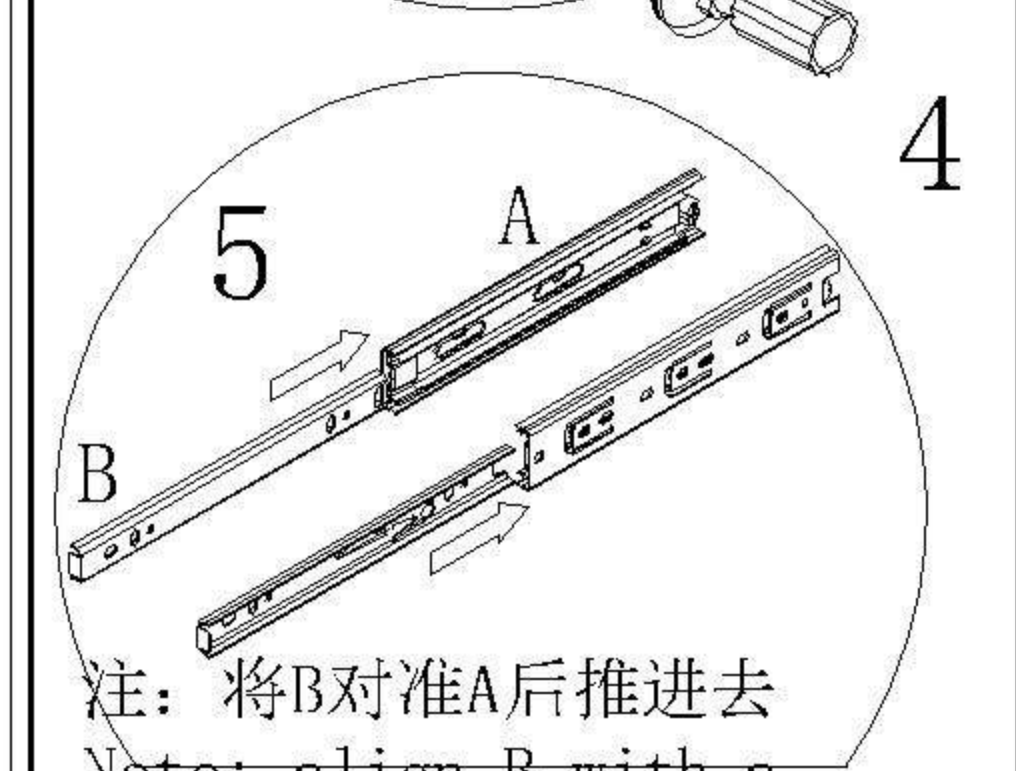
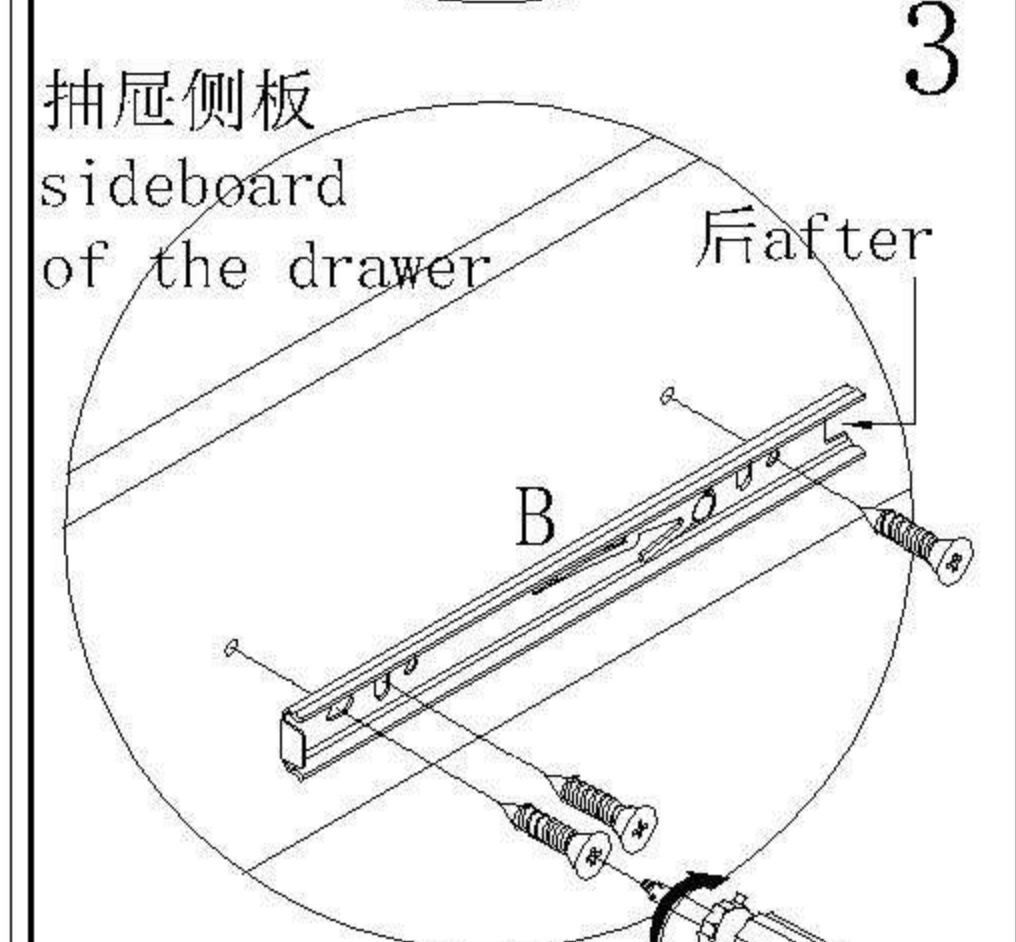
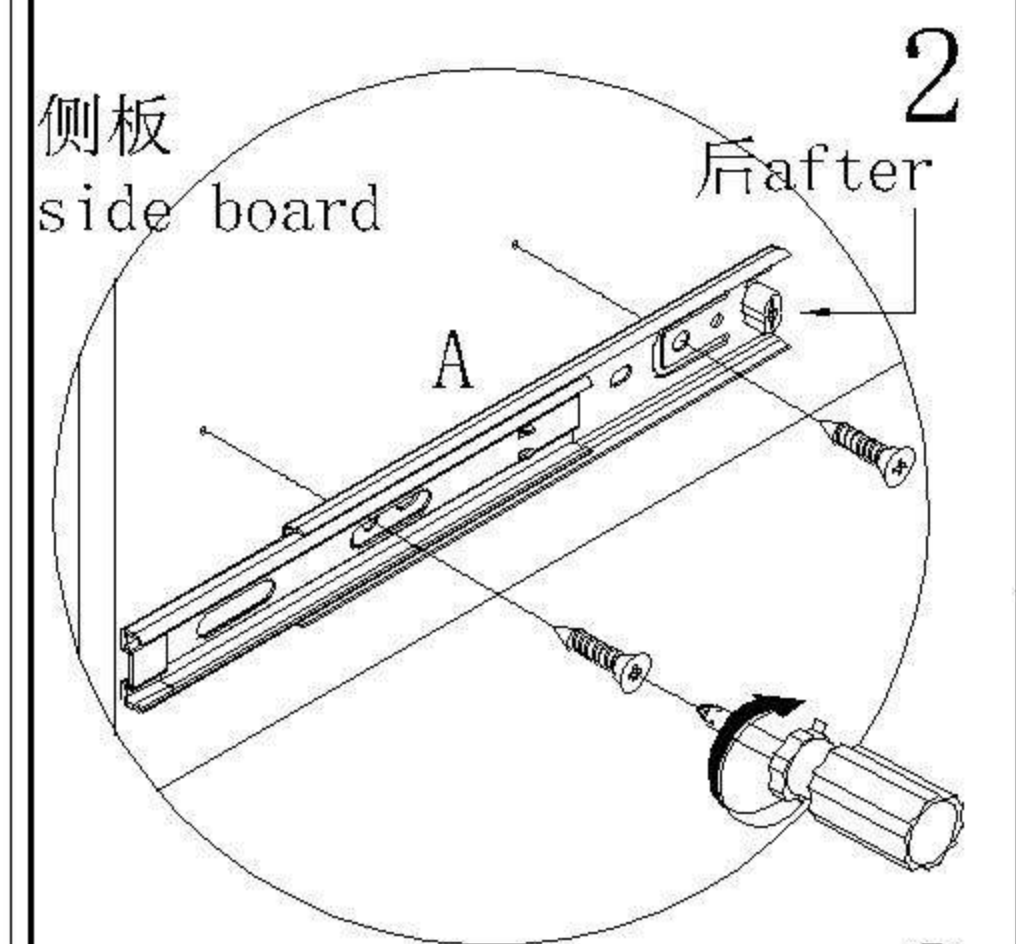
YZ1N-A(1.4m)

安装方法/
Installation method

1 阀门开关(下压为开)
Valve switch
(press down to open)



注: 先将A与B拆下来
Note: remove a and B first

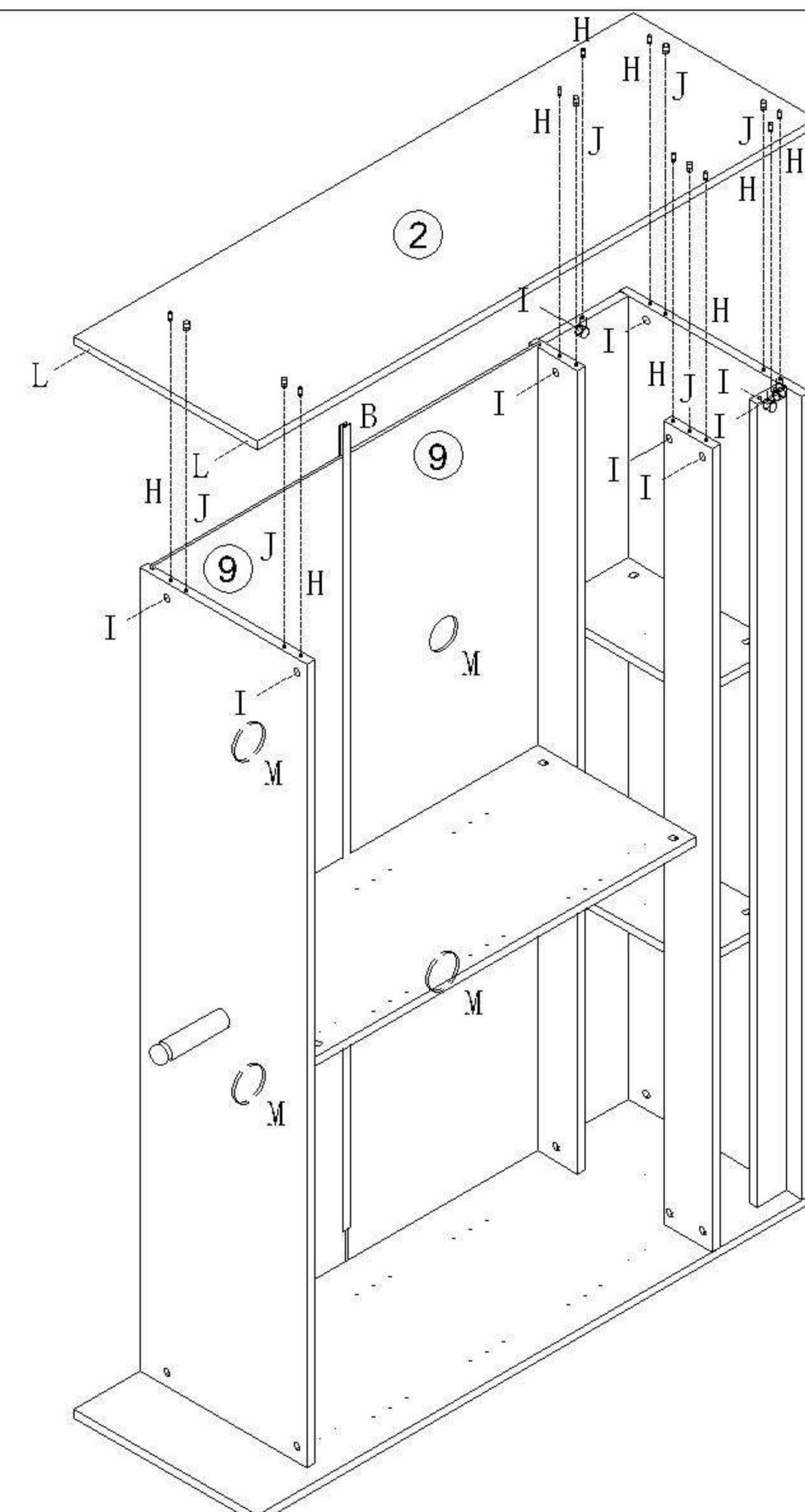
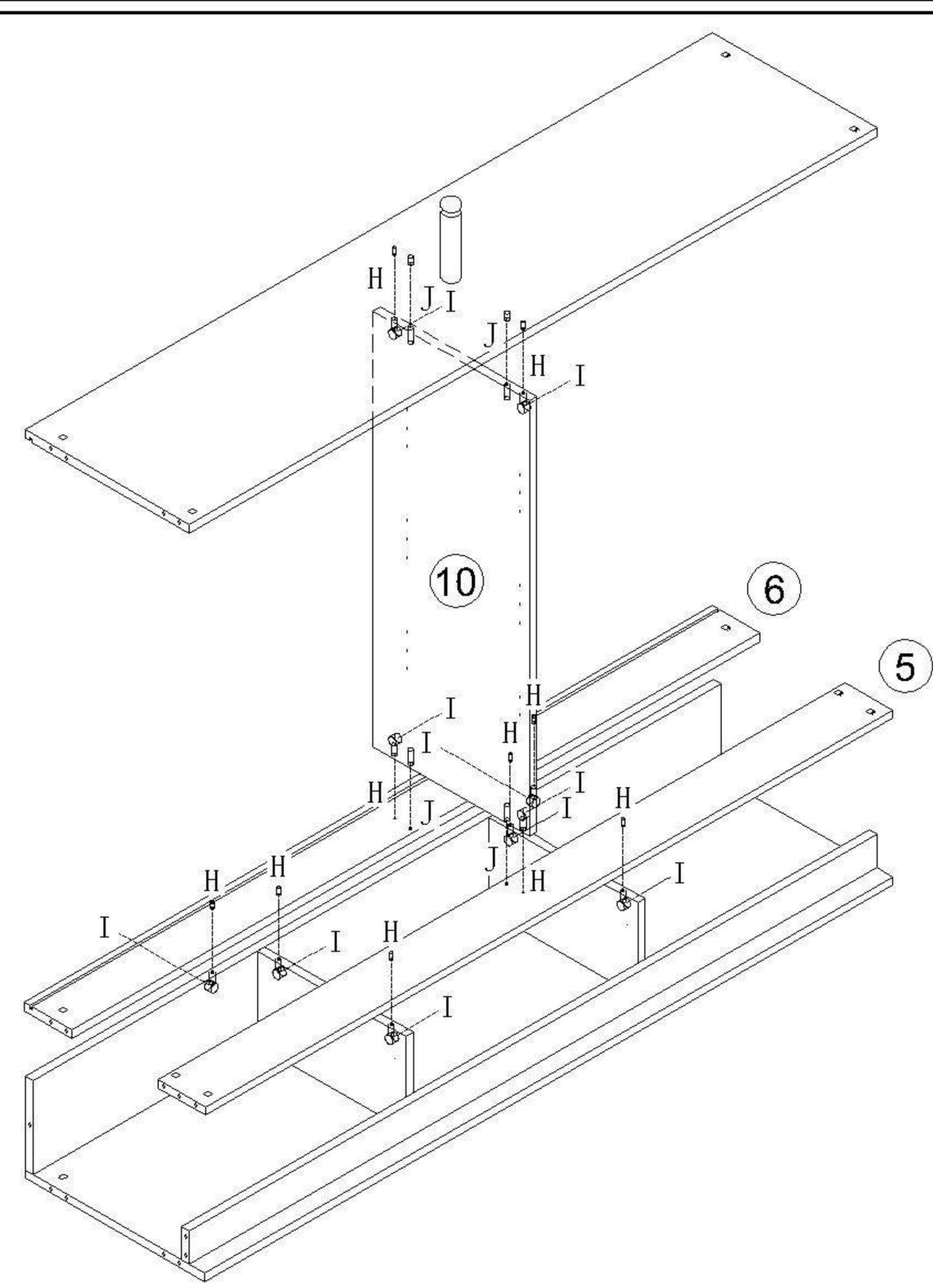


注: 将B对准A后推进去
Note: align B with a
and push it in

三节滚珠导轨
three-section ball rail

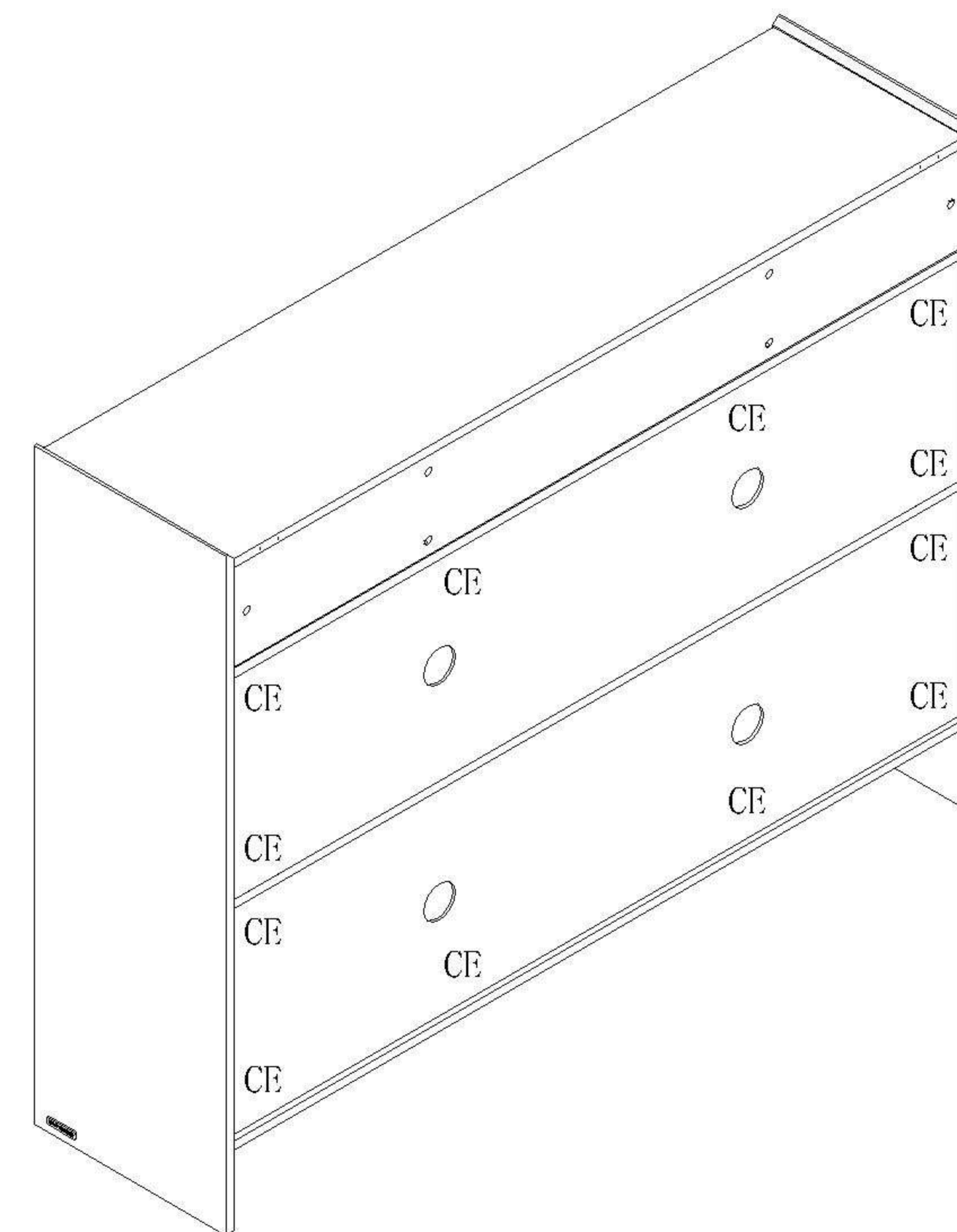
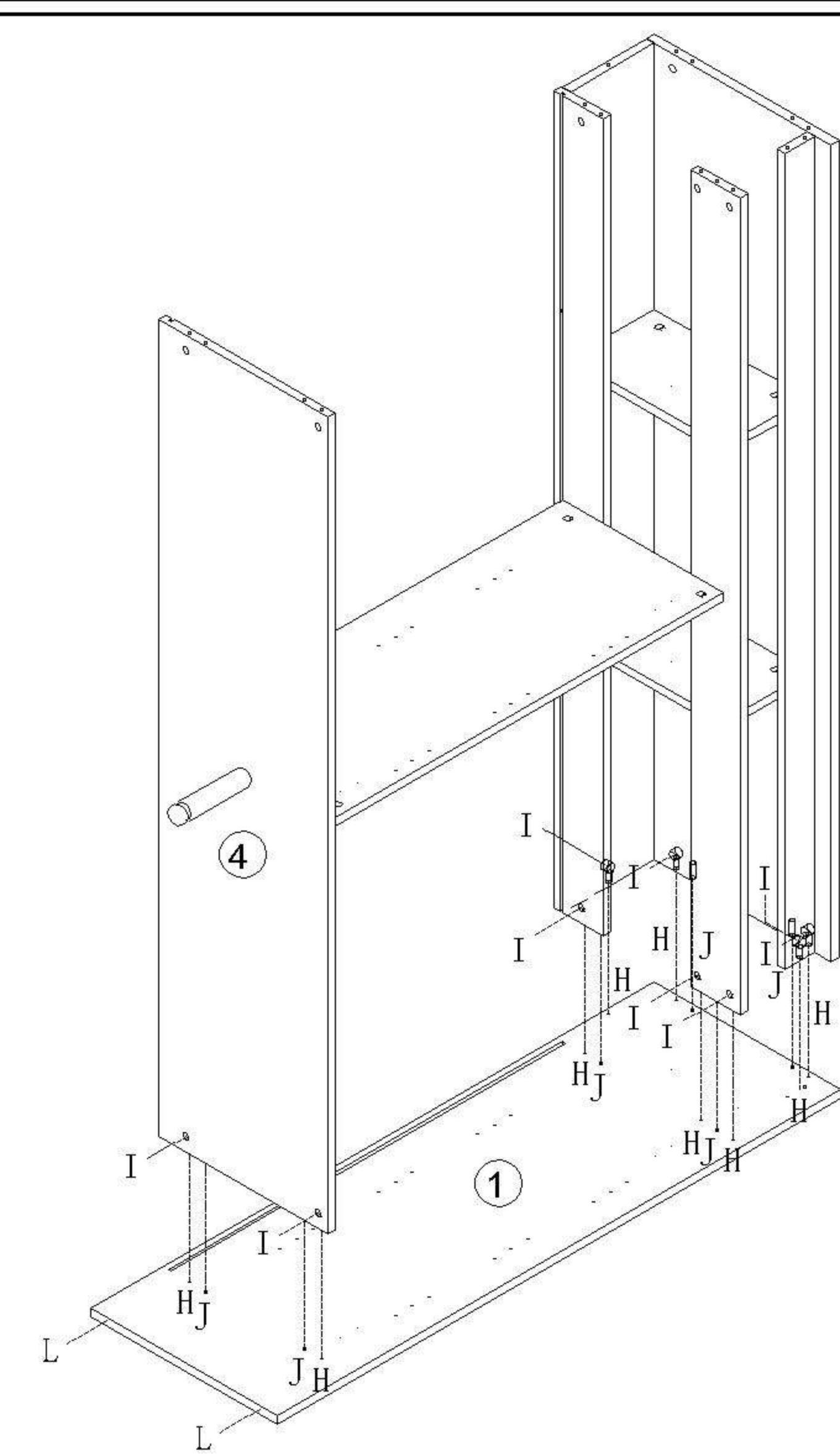
- (H)*10
- (I)*10
- (J)*4

- (B)*1
- (H)*9
- (I)*9
- (J)*6
- (L)*2
- (M)*4



- 9
- (H)*9
 - (I)*9
 - (J)*6
 - (L)*2

- 11
- (C)*12
 - (E)*12



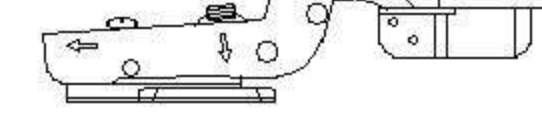
10

12

YZ1N-A(1.4m)

安装方法/
Installation method

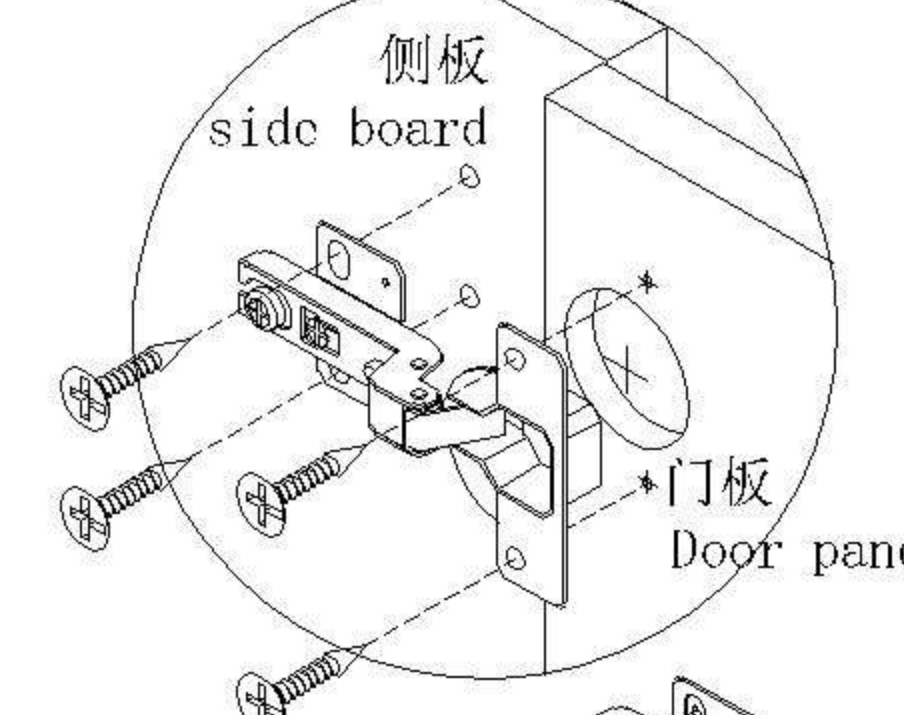
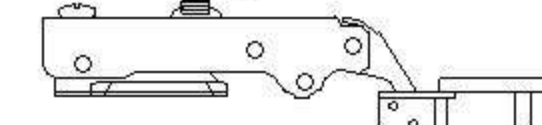
大弯big bend



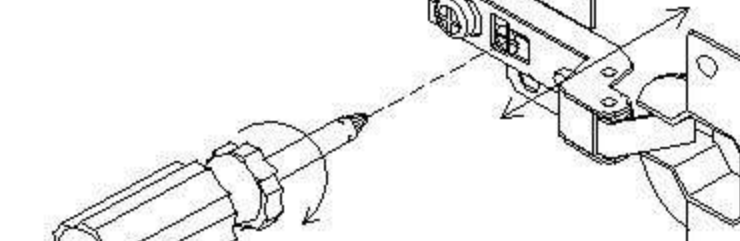
中弯middle bending



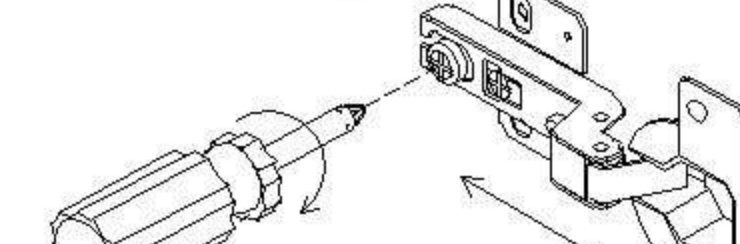
直弯straight bending



调节上下
Adjust up and down

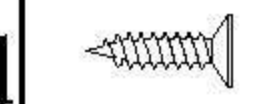


调节左右
Adjust left and right



调节前后
Before and after adjustment
门铰
Hinge

(A)*3

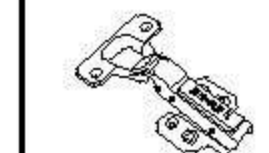


(C)*18



(F)*24

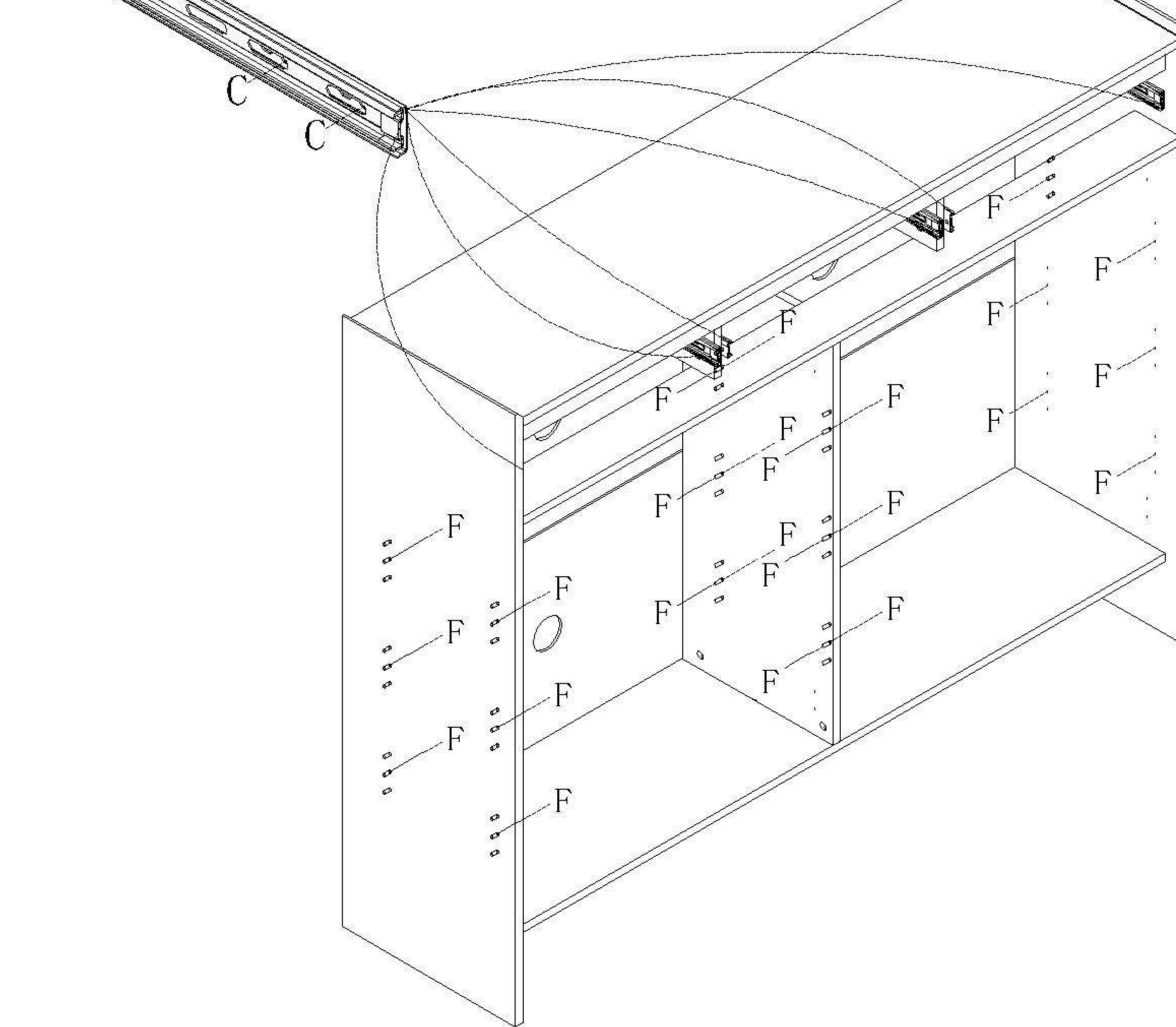
(G)*4



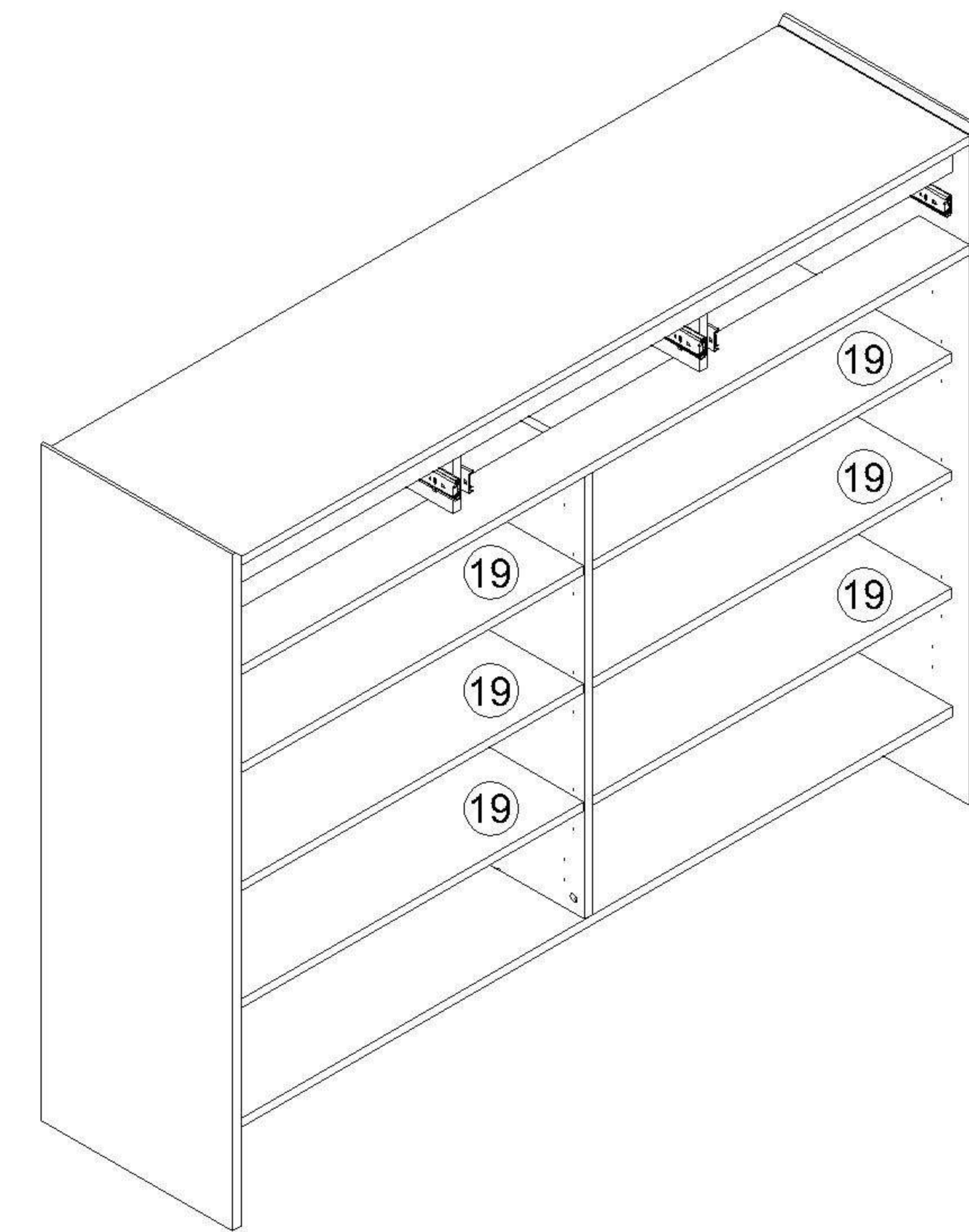
(O)*4



A 主轨
Main rail

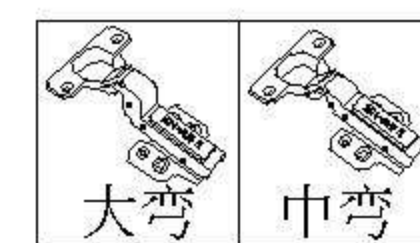
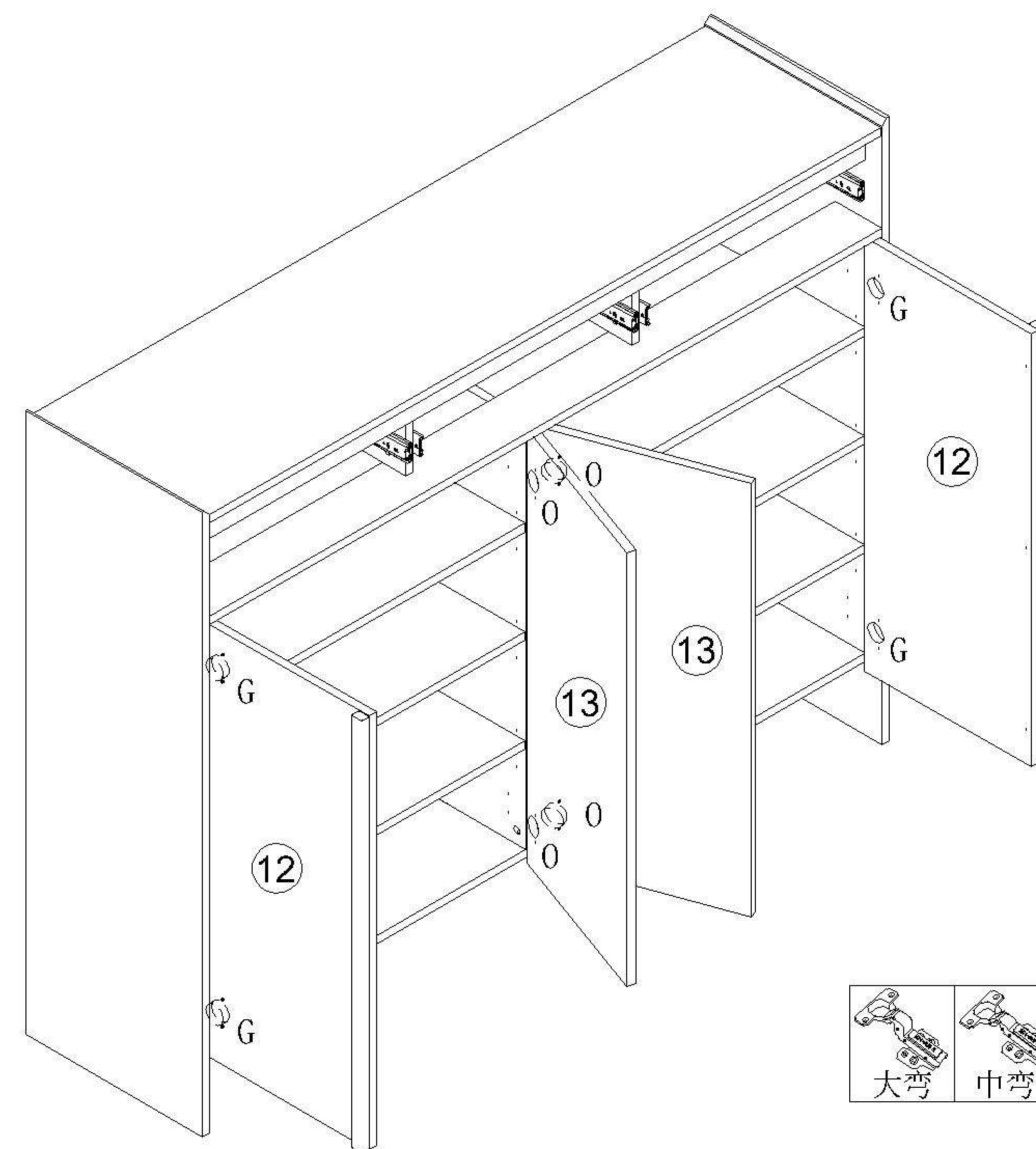


13

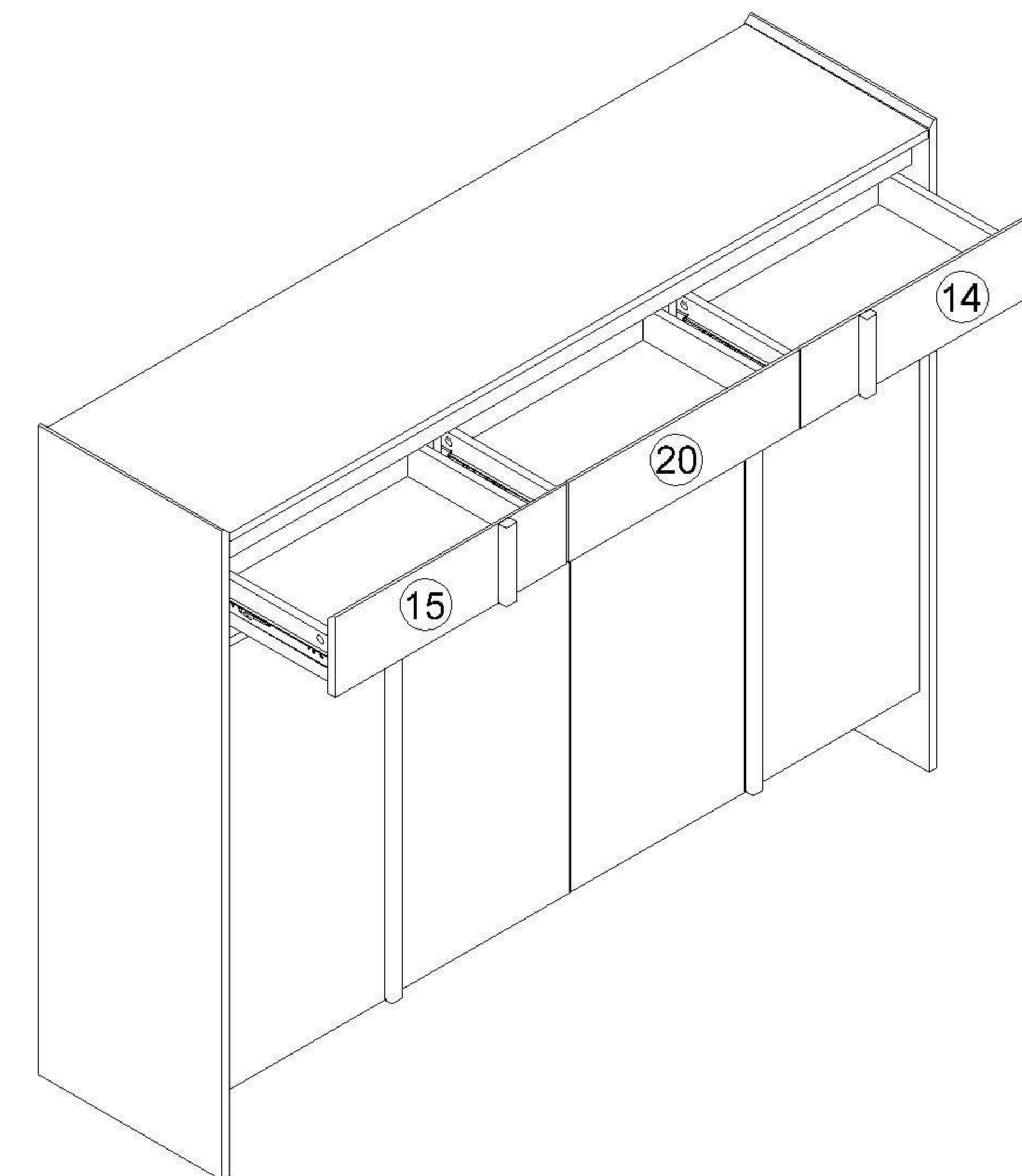


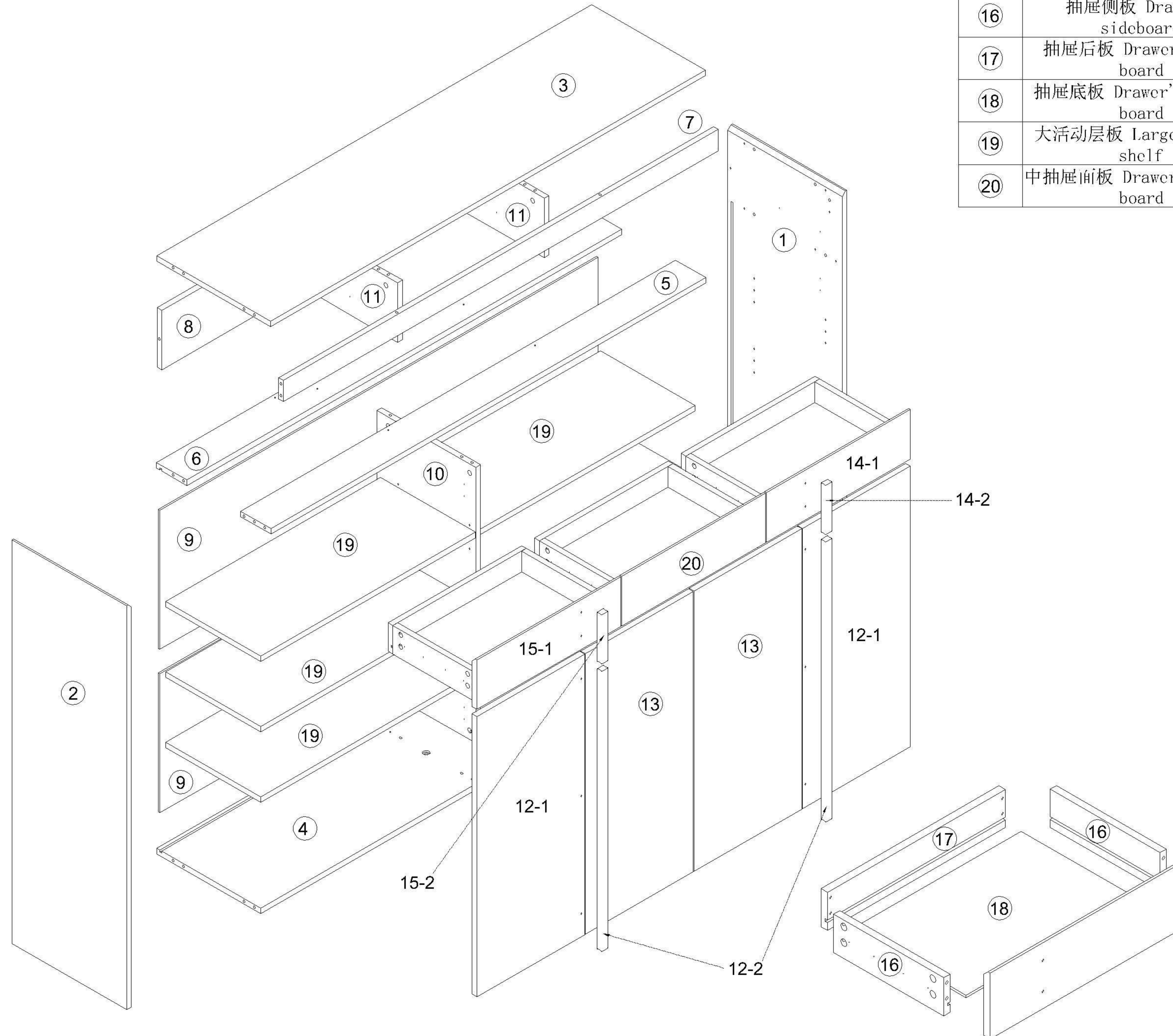
14

15



16





编号NO.	名称Name
①	右侧板 Side board(R)
②	左侧板 Side board(L)
③	面板 Top panel
④	底板 Bottom board
⑤	前拉条 Front brace
⑥	后拉条 Back brace
⑦	前档条 Front blocking strip
⑧	上背板 Upper back board
⑨	下背板 Lower back board
⑩	下中隔板 Lower middle clapboard
⑪	上中隔板 Upper middle clapboard
⑫	边门板组立 Side door panel assembly
12-1	边门板 Side door panel
12-2	门板拉手 Door handle
⑬	中门板 Middle door board
⑭	右抽面组立 Drawer panels assembly(R)
14-1	右抽屉面板 Drawer panels (R)
14-2	抽屉拉手 Drawer handle
⑮	左抽面组立 Drawer panels assembly(L)
15-1	左抽屉面板 Drawer panels (L)
15-2	抽屉拉手 Drawer handle
⑯	大活动层板 Large Movable shelf
⑰	抽屉后板 Drawer's Back board
⑱	抽屉底板 Drawer's Bottom board
⑲	中抽屉面板 Drawer's middle board
⑳	抽屉侧板 Drawer's sideboard