

LINSY 林氏家居

五金表/Hardware list

部件表/Parts List

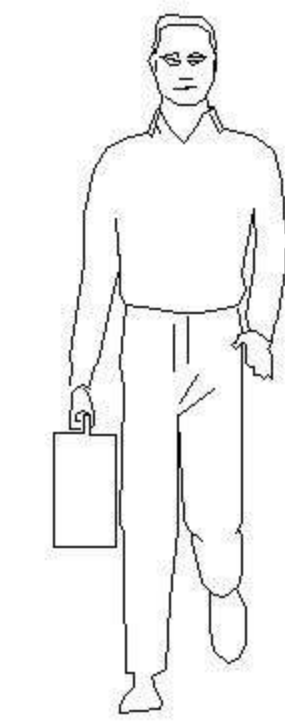
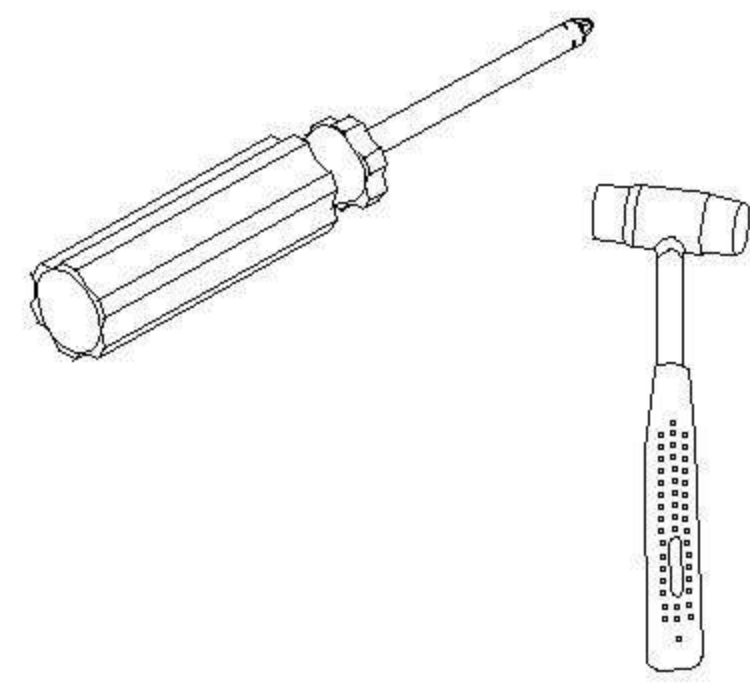
安装示意图/Assembly Instruction

产品名称 Model NO. 鞋柜

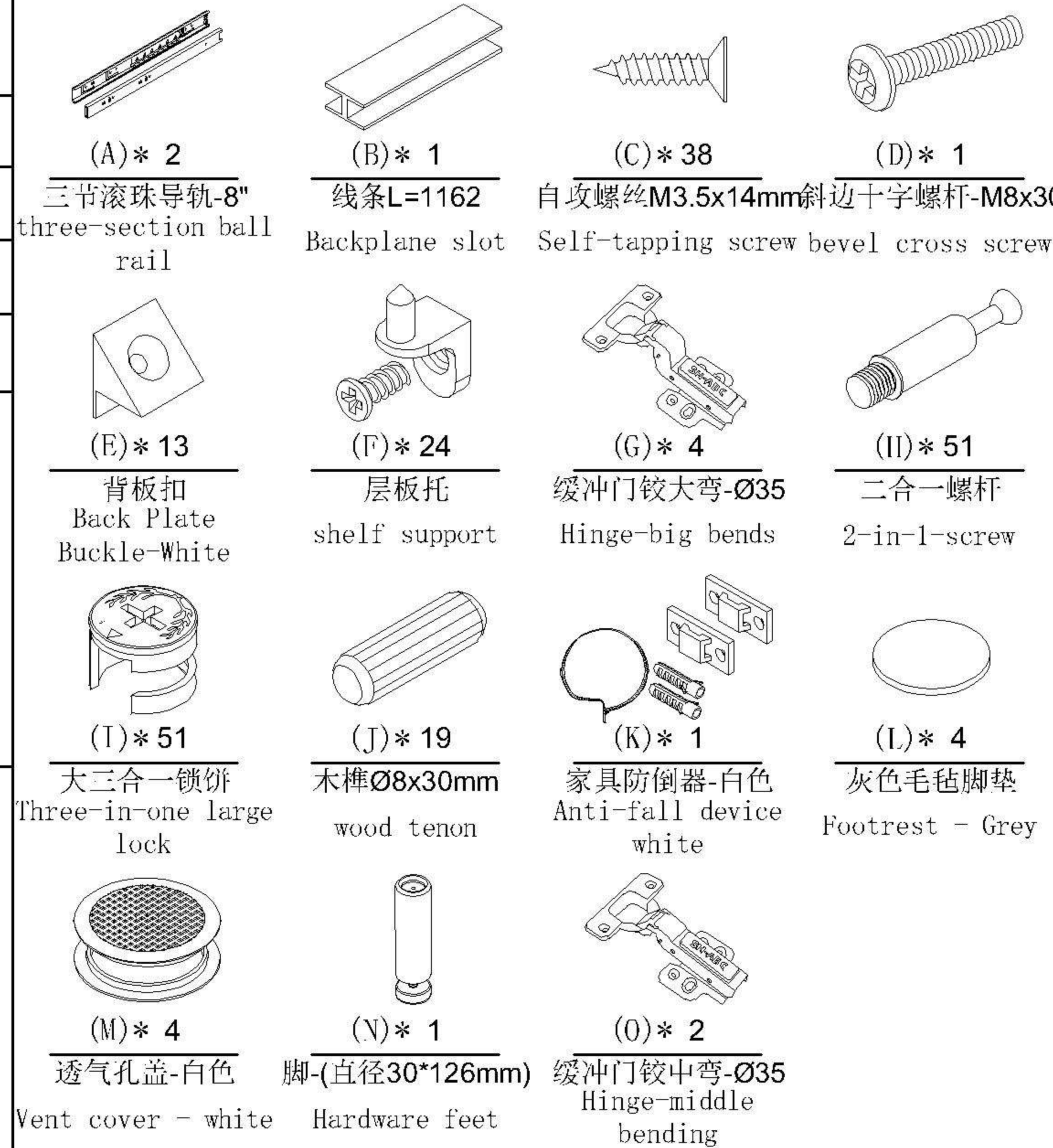
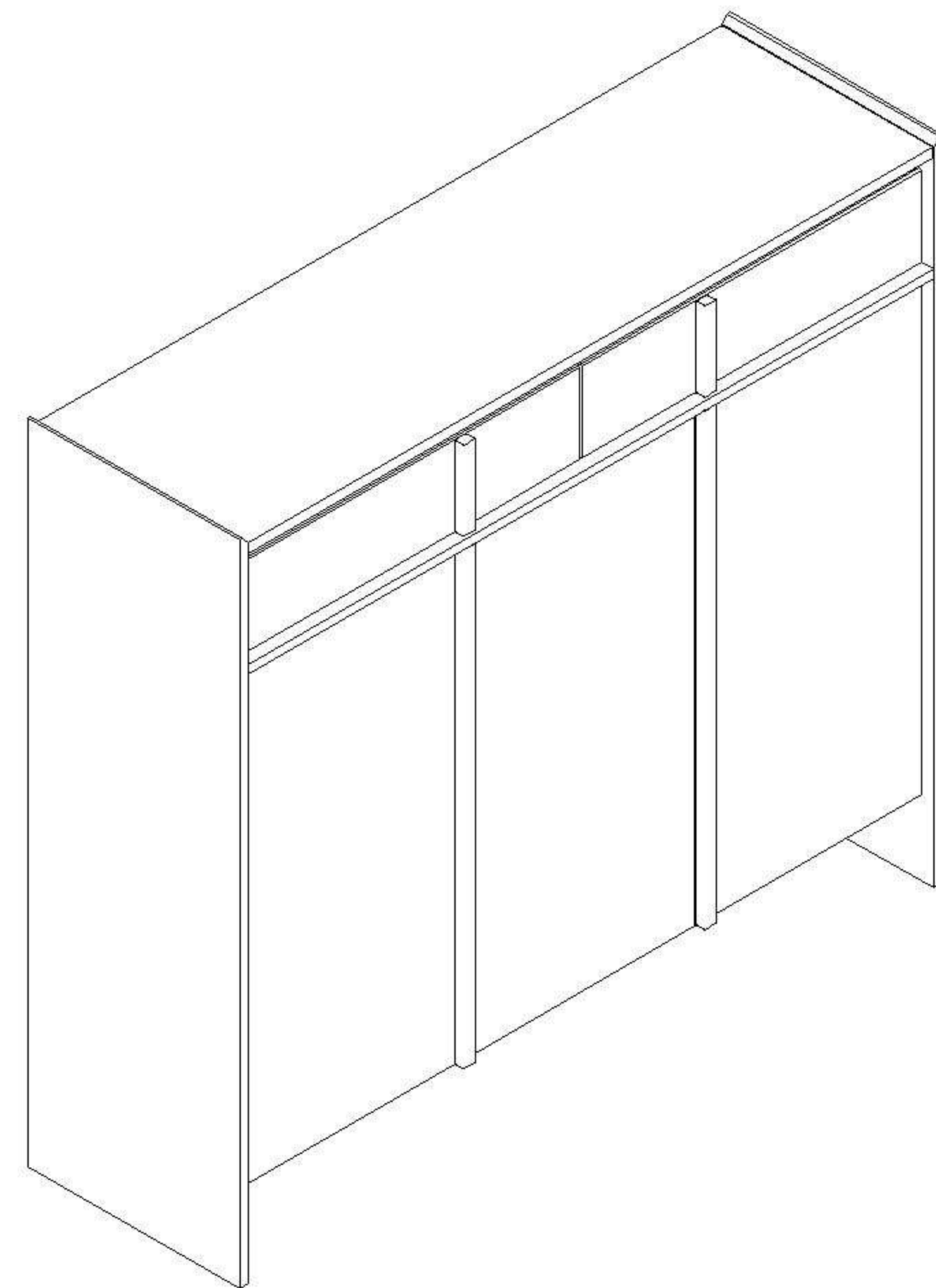
产品型号 Product Model YZ1N-A(1.2m)

尺寸规格 Specification (1193*360*1103)mm

安装工具 Tool 安装人数 Installer



注：为保证设计效果，部分尺寸为定制尺寸，不影响使用。



编号NO.	名称Name	规格 (mm) Specification	数量 QTY	材质Material
①	右侧板 Side board(R)	1100*360*15	1	刨花板Particle board
②	左侧板 Side board(L)	1100*360*15	1	刨花板Particle board
③	面板 Top panel	1163*358*15	1	刨花板Particle board
④	底板 Bottom board	1163*327*15	1	刨花板Particle board
⑤	前拉条 Front brace	1163*95*15	1	刨花板Particle board
⑥	后拉条 Back brace	1163*95*15	1	刨花板Particle board
⑦	前档条 Front blocking strip	1163*45*15	1	刨花板Particle board
⑧	上背板 Upper back board	1163*162*15	1	刨花板Particle board
⑨	下背板 Lower back board	1173*379*5	2	纤维板Fiberboard
⑩	下中隔板 Lower middle clapboard	751*311*15	1	刨花板Particle board
⑪	上中隔板 Upper middle clapboard	296*162*15	1	刨花板Particle board
⑫	边门板组立 Side door panel assembly	764*385*30	2	刨花板+橡胶木Particle board+Rubber wood
⑬	中门板 Middle door board	764*385*15	1	刨花板Particle board
⑭	右抽面组立 Drawer panels assembly(R)	578*135*30	1	刨花板+橡胶木Particle board+Rubber wood
⑮	左抽面组立 Drawer panels assembly(L)	578*135*30	1	刨花板+橡胶木Particle board+Rubber wood
⑯	抽屉侧板 Drawer's sideboard	260*78*15	4	刨花板Particle board
⑰	抽屉后板 Drawer's Back board	548*78*15	2	刨花板Particle board
⑱	抽屉底板 Drawer's Bottom board	528*270*5	2	纤维板Fiberboard
⑲	大活动层板 Large Movable shelf	758*298*15	3	刨花板Particle board
⑳	小活动层板 Small Movable shelf	388*298*15	3	刨花板Particle board

►注意：防倒器一定要按图安装！

►Be careful:The anti fall device must be installed!

►注：门和抽屉都是设计所需设计缝，小心夹伤！

►Note: The doors and drawers are designed with necessary seams. Be careful not to pinch!

LINSY 林氏家居

安装示意图/Assembly Instruction

产品名称 Model NO.

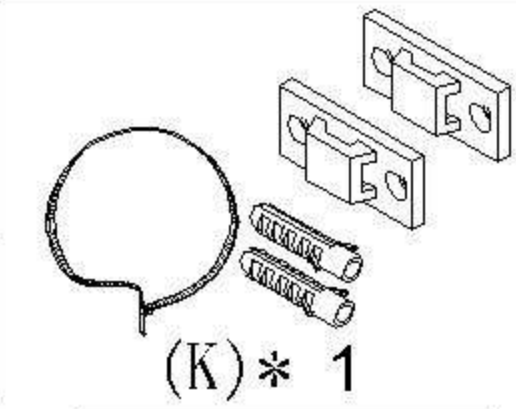
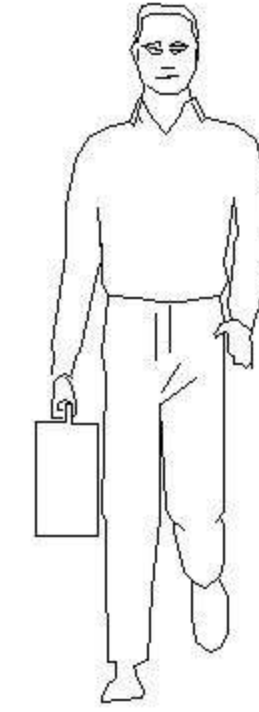
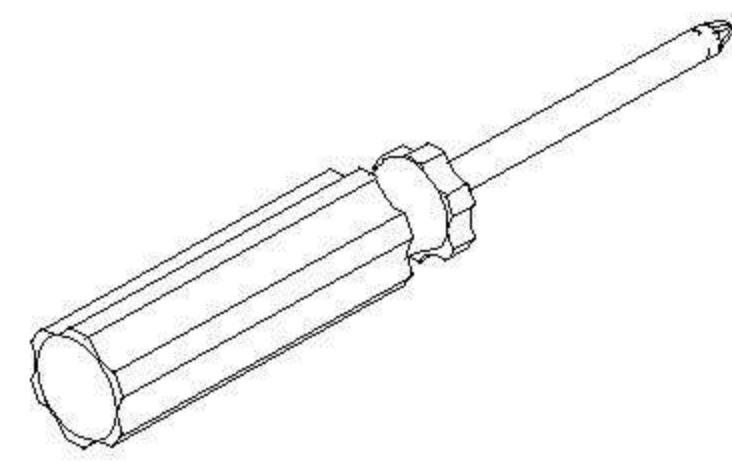
Anti-fall device

产品规格 Specification

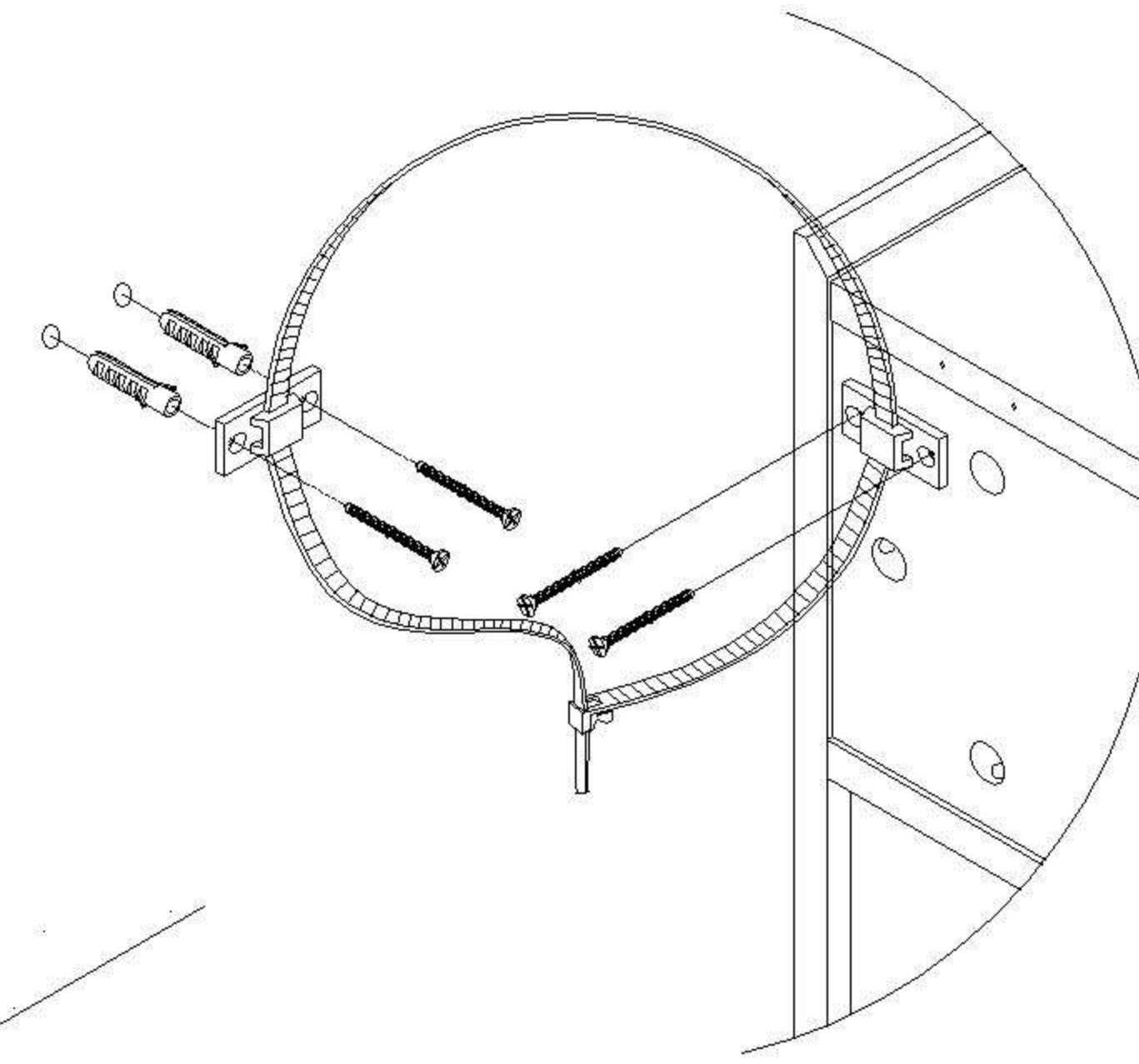
-

安装工具 Tool

安装人数 Installer

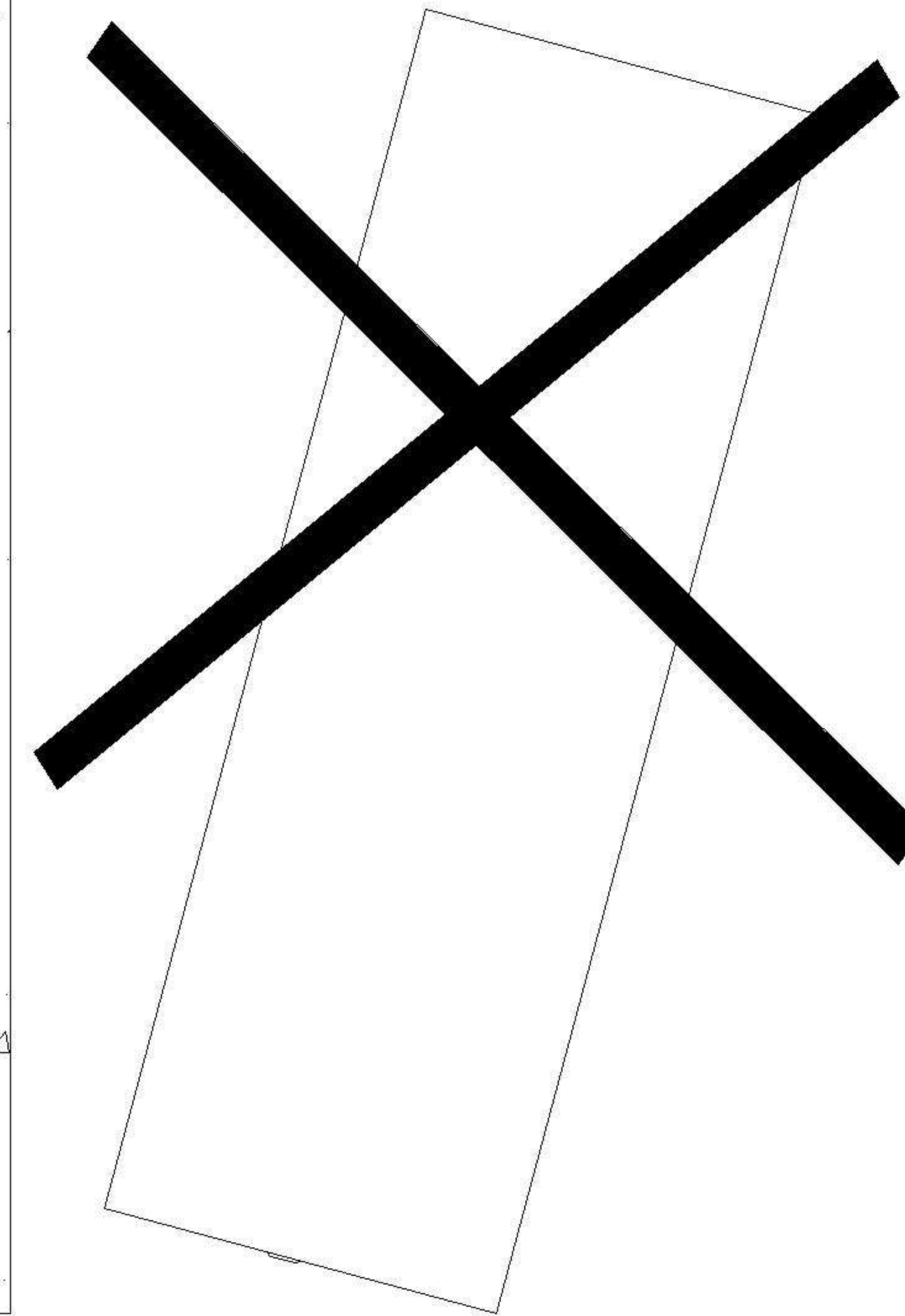
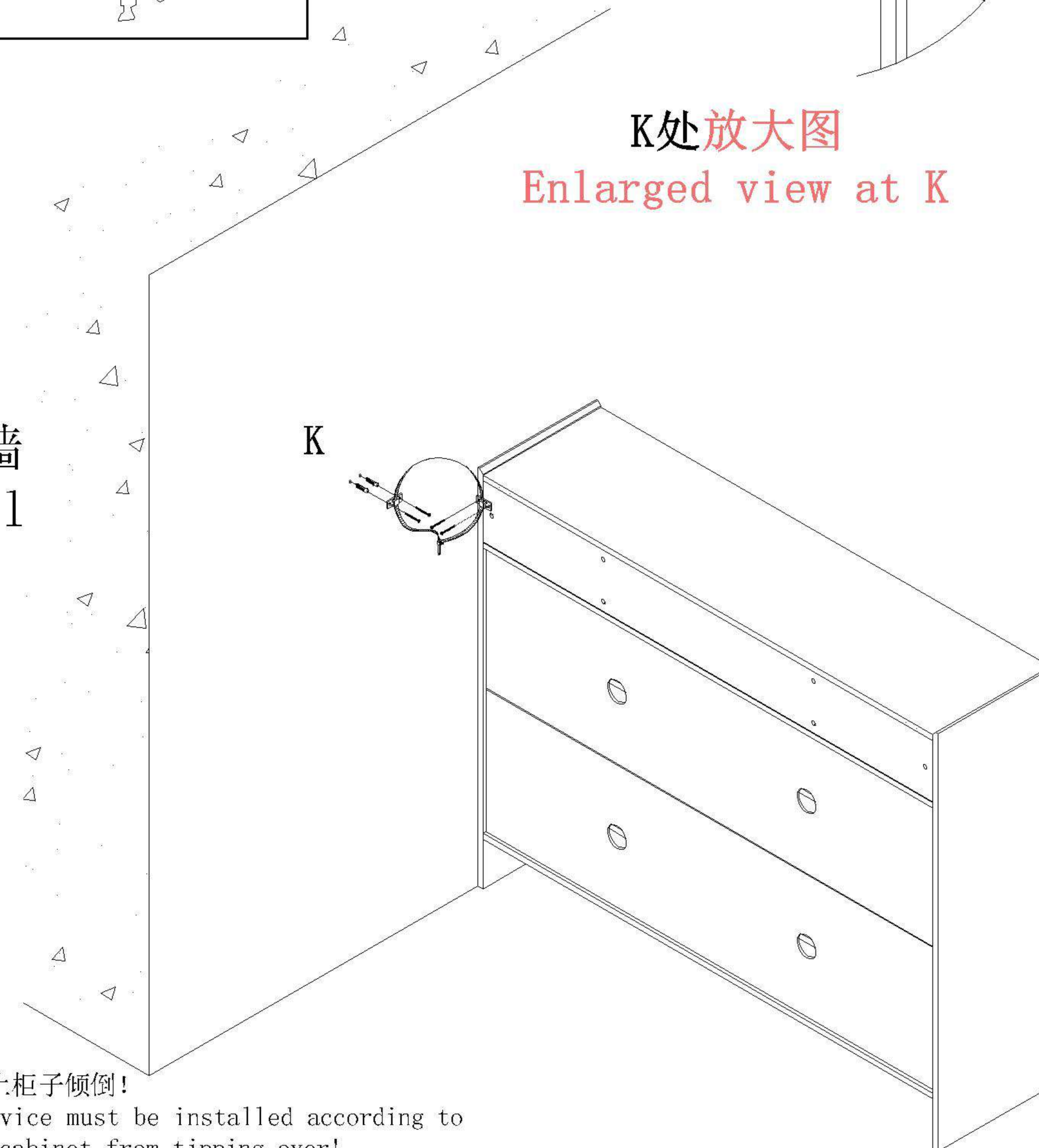


(K)* 1
家具防倒器-白色
Anti-fall device
white



K处放大图
Enlarged view at K

实体墙
Solid wall



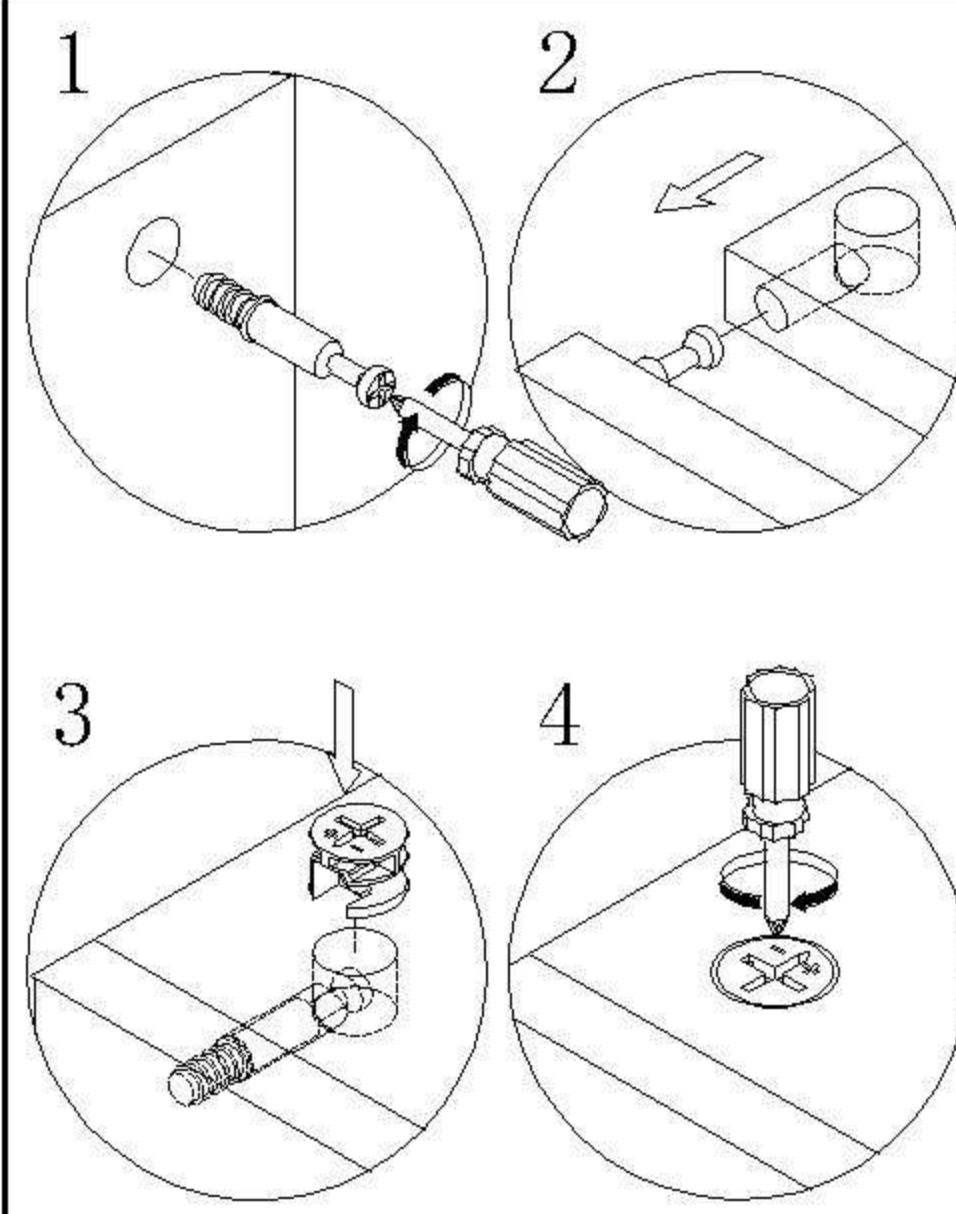
注意:

防倒器一定要按图安装, 为防止柜子倾倒!

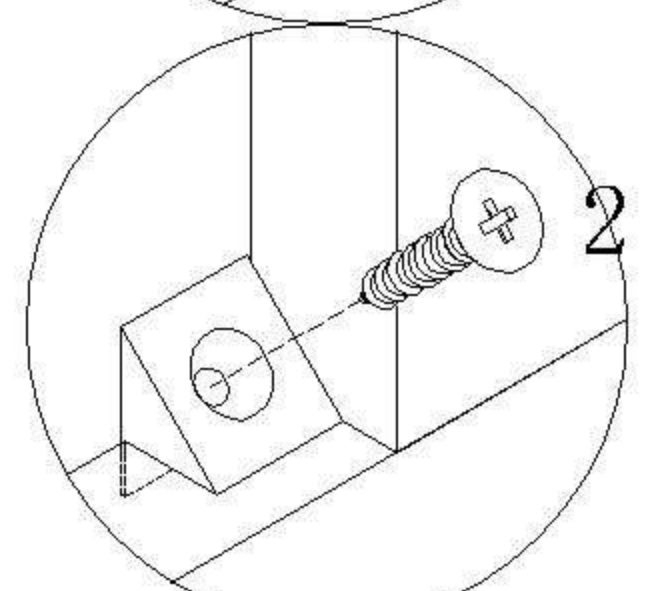
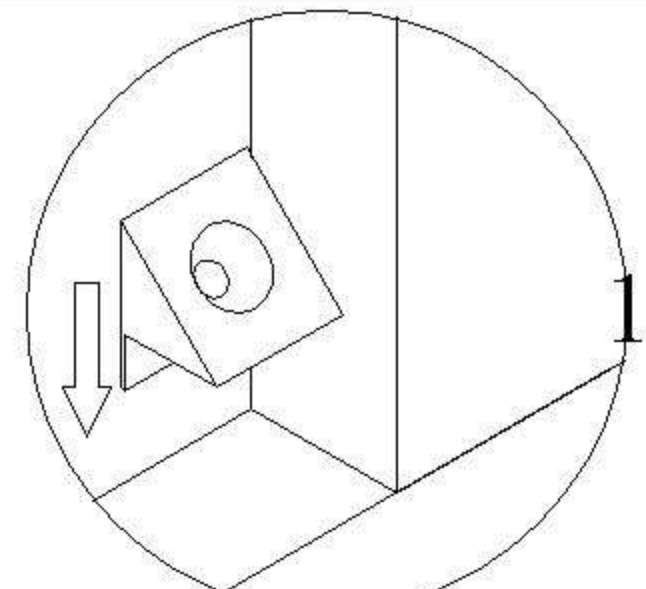
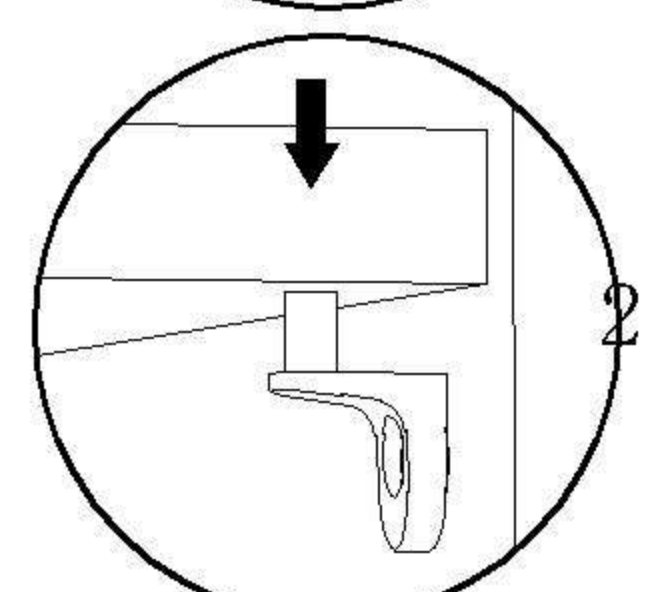
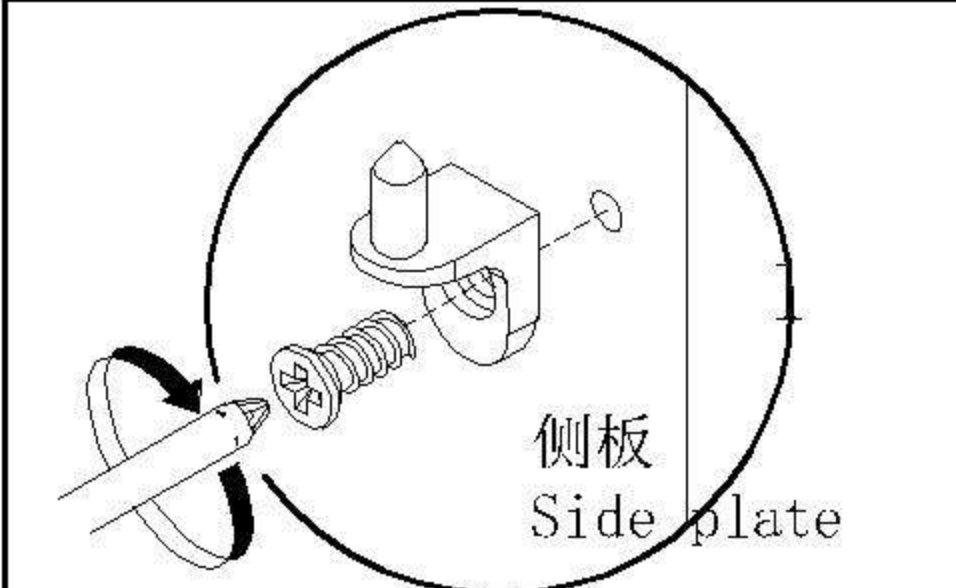
be careful: The anti fall device must be installed according to the diagram to prevent the cabinet from tipping over!

YZ1N-A(1.2m)

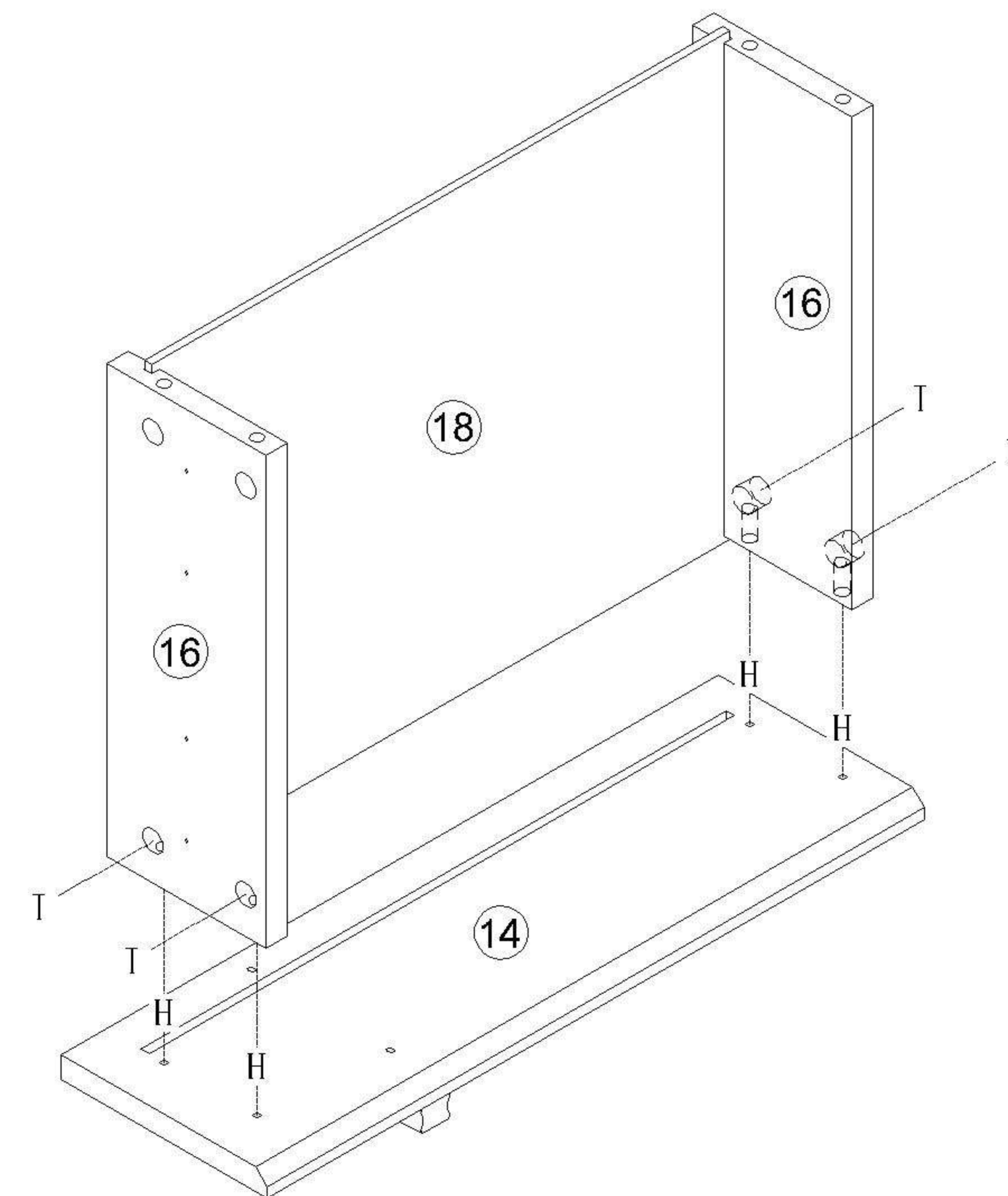
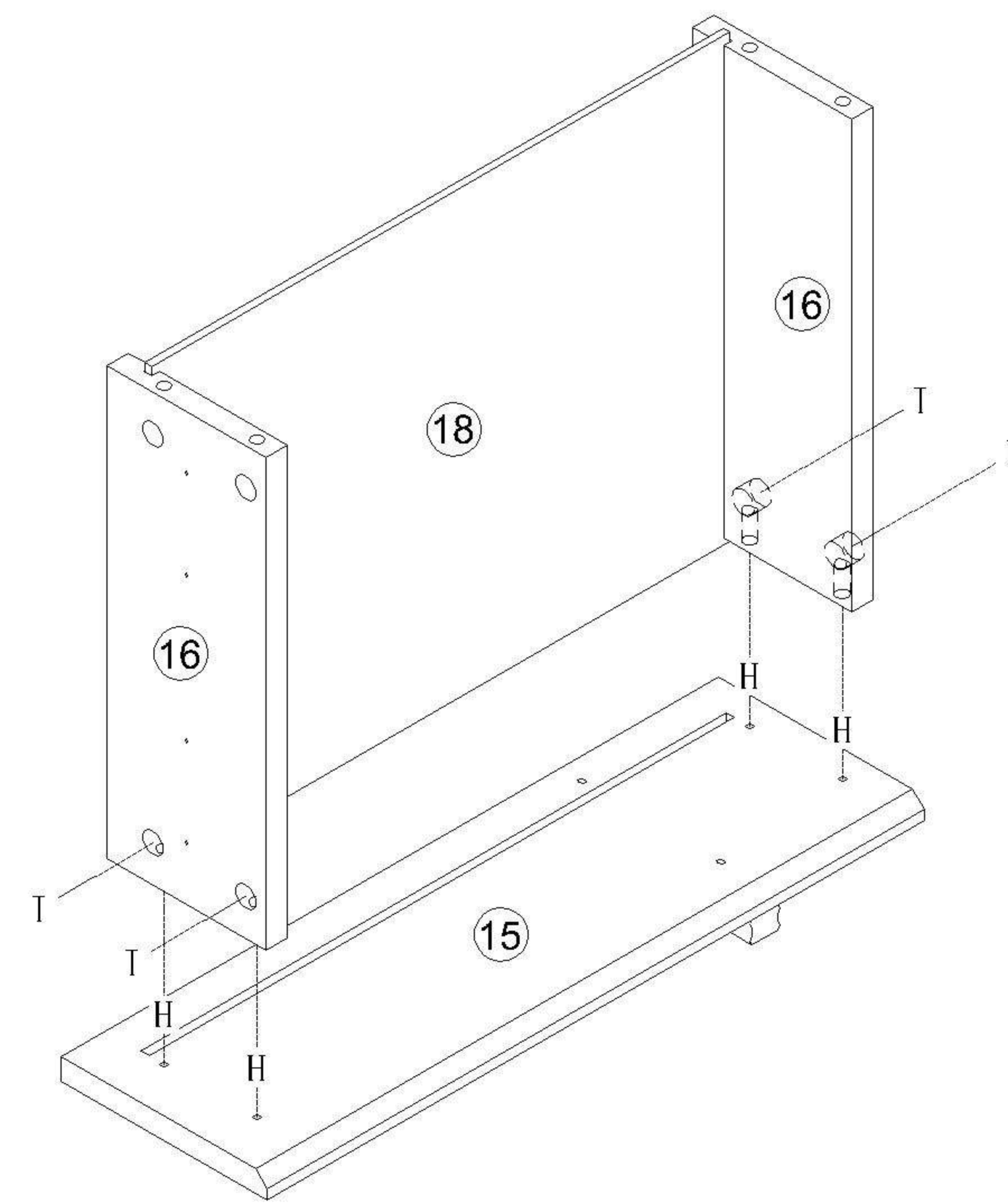
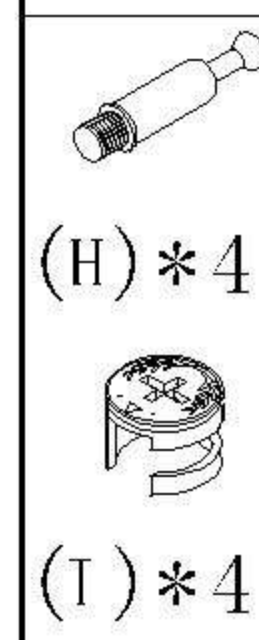
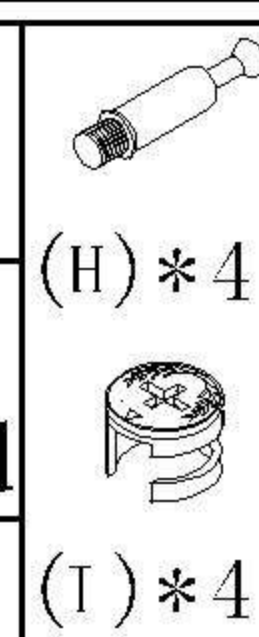
安装方法/
Installation method



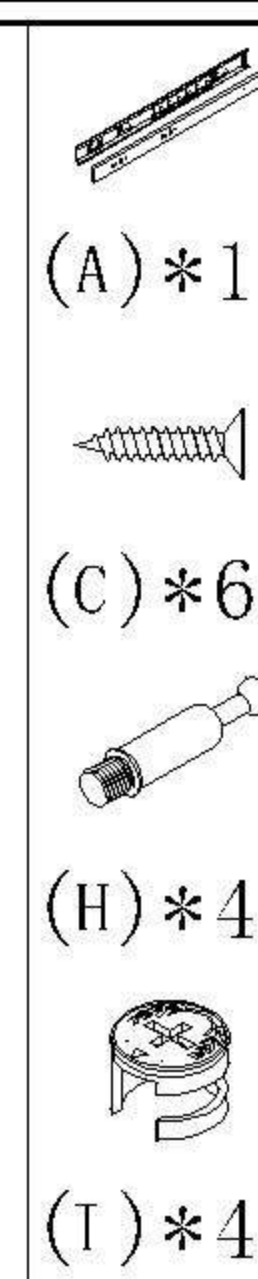
大二合一
two-in-one



背板扣
Back Plate Buckle-White

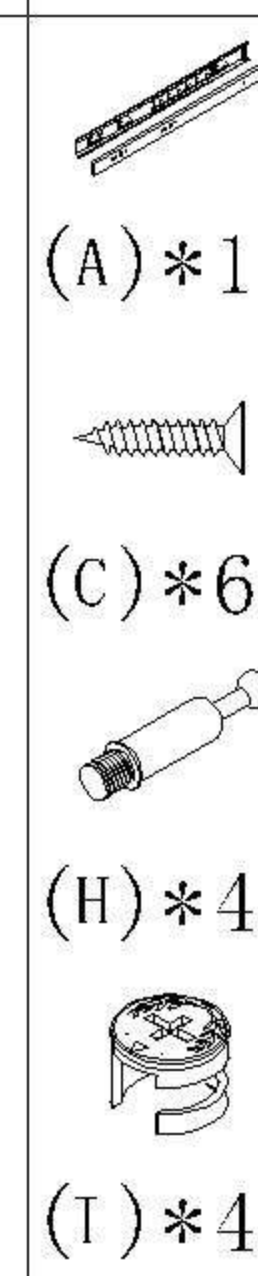


1



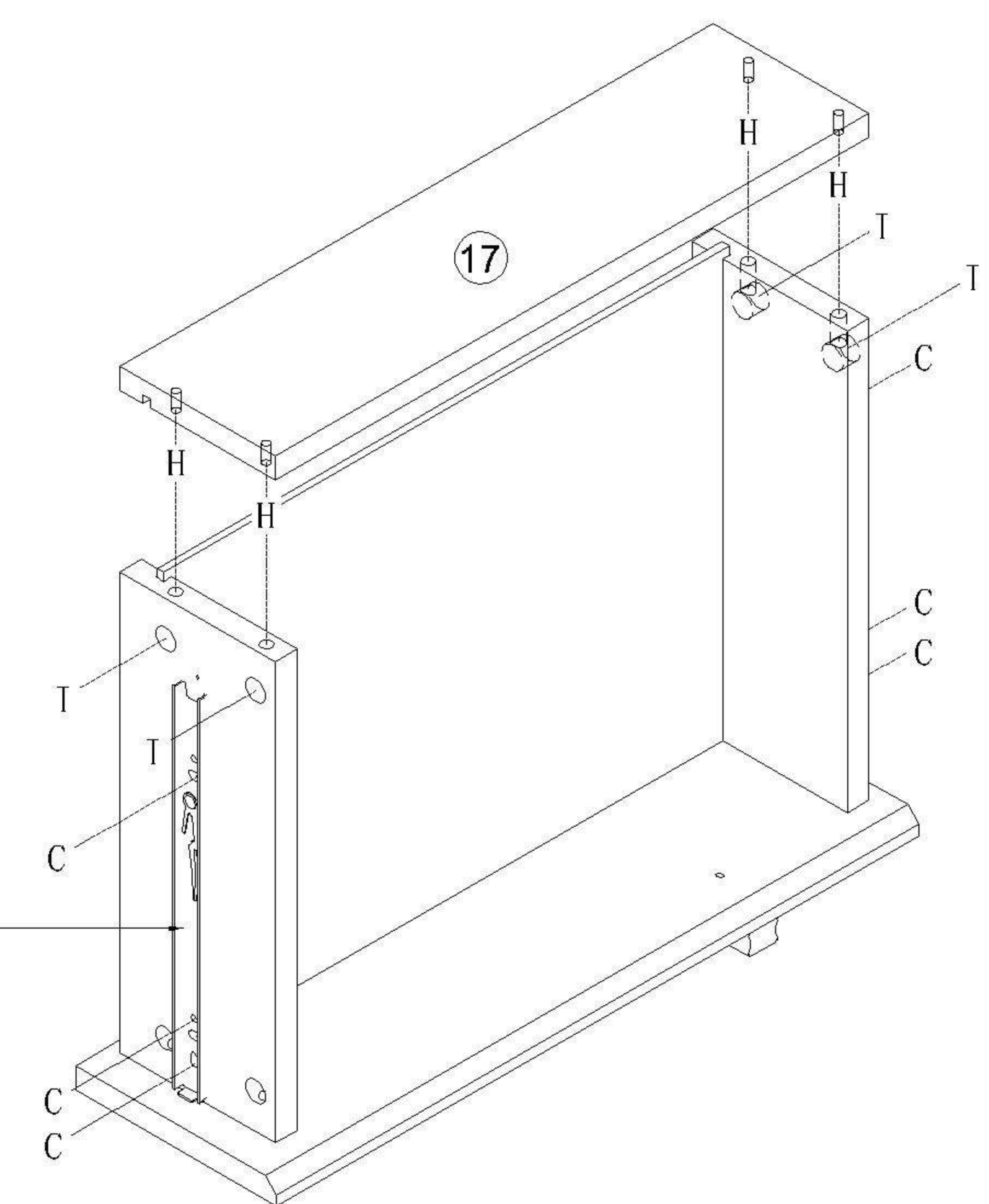
(A) 副轨
Sub rail

3

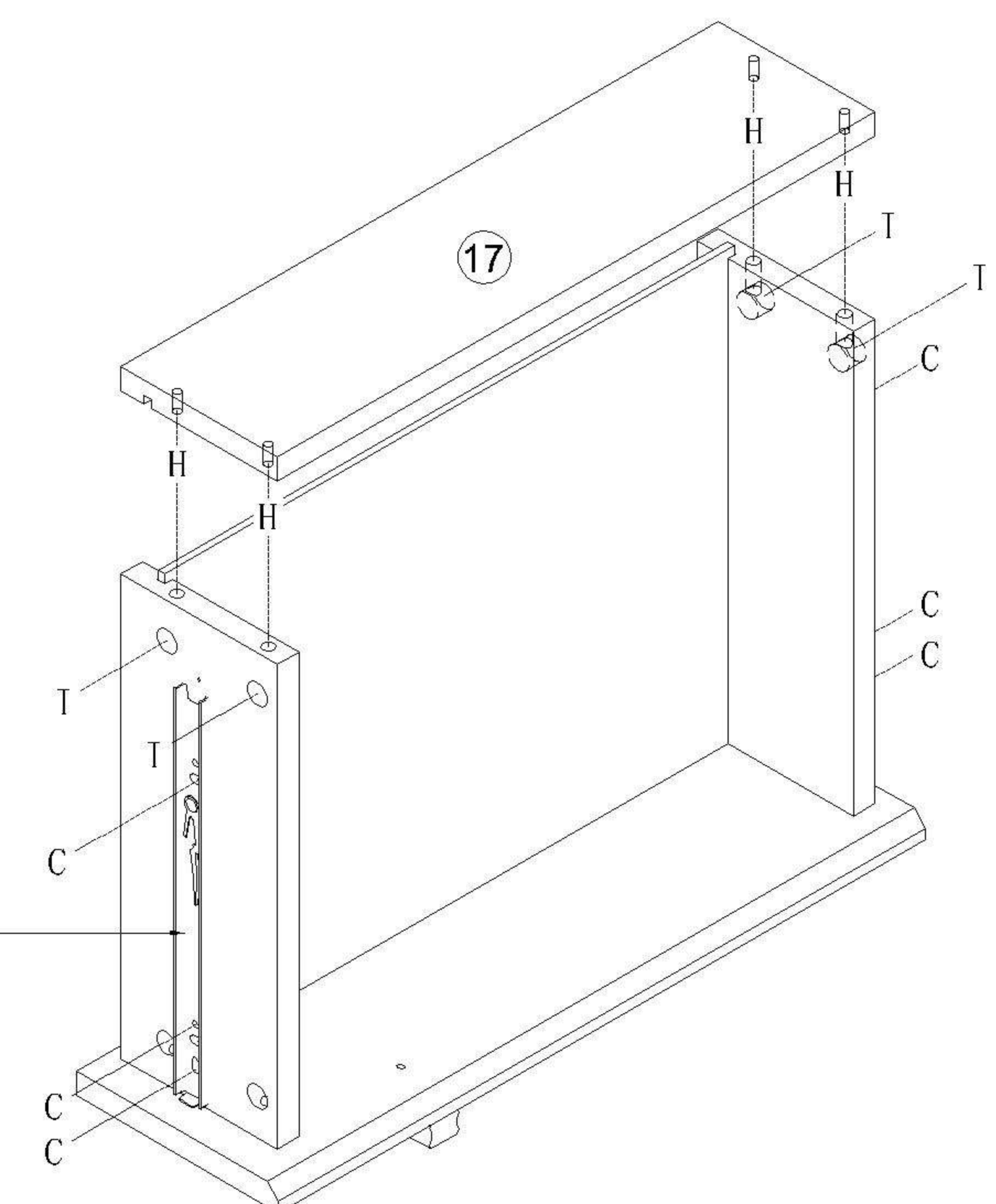


(A) 副轨
Sub rail

2

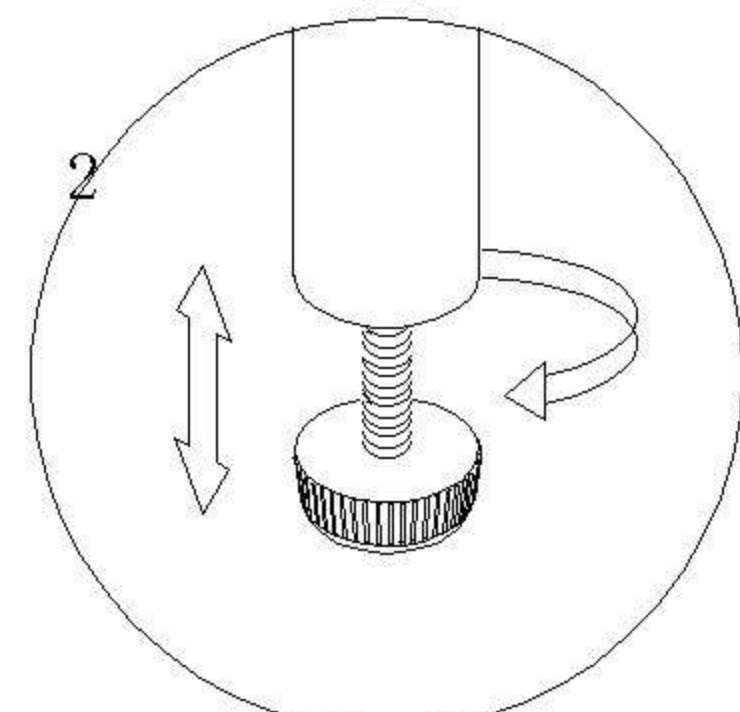
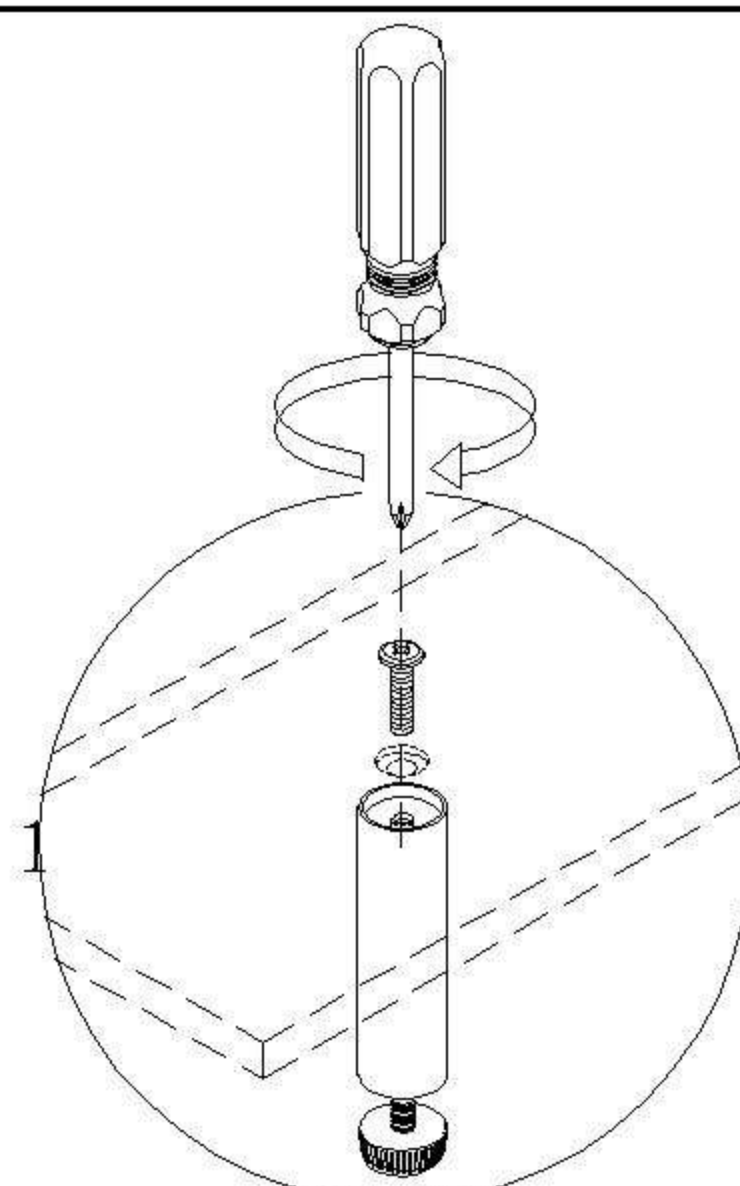


4

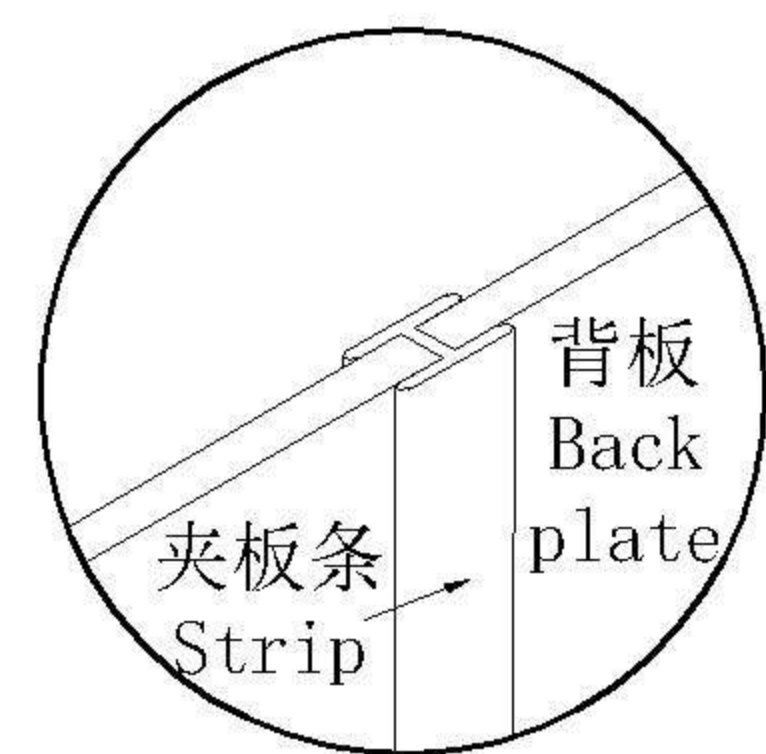


YZ1N-A(1.2m)

安装方法/
Installation method

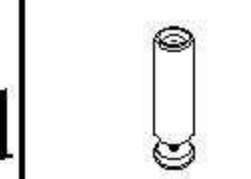


铁中脚
Support foot

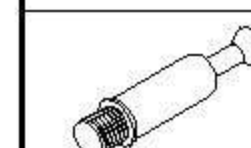
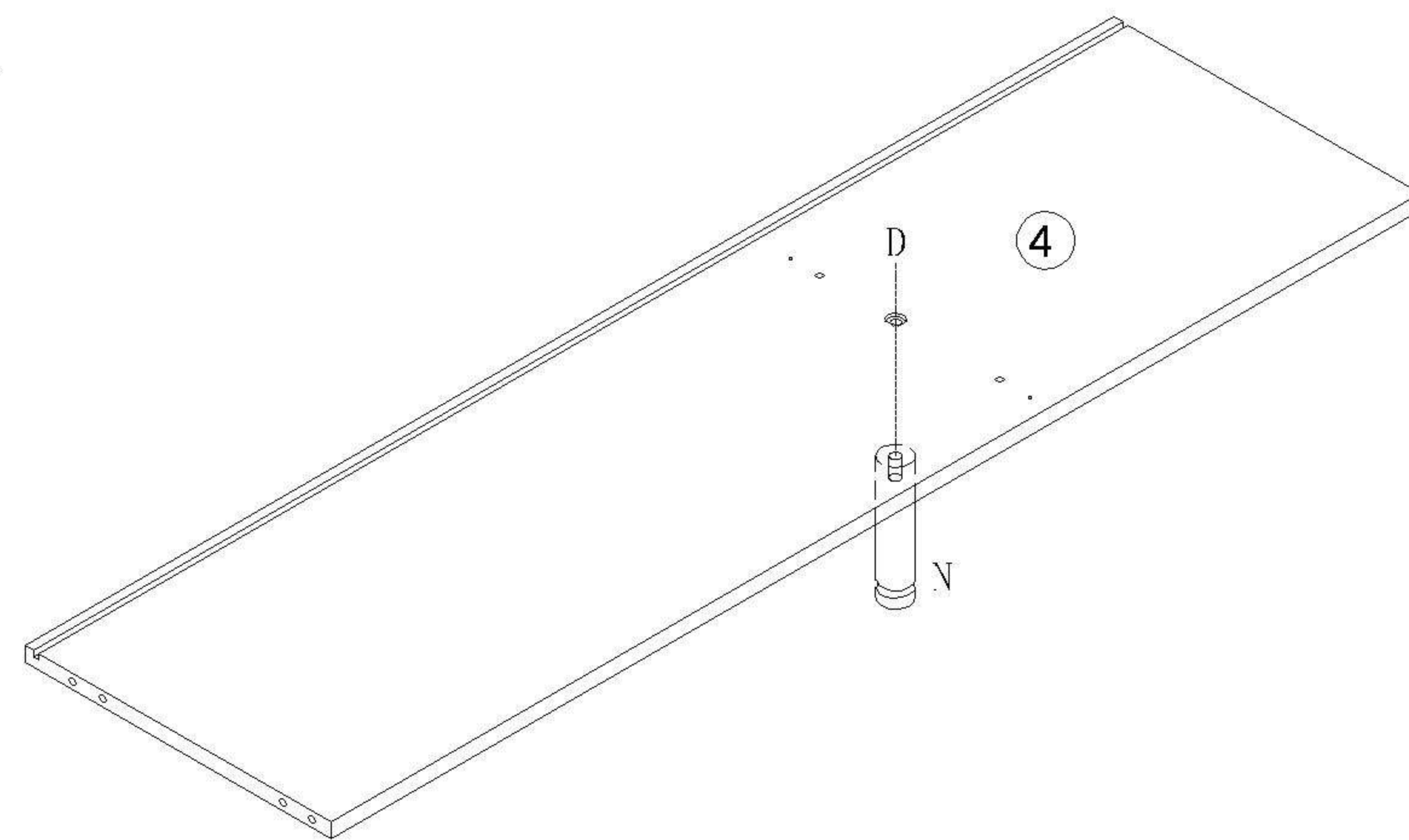


夹板条
Strip

(D)*1



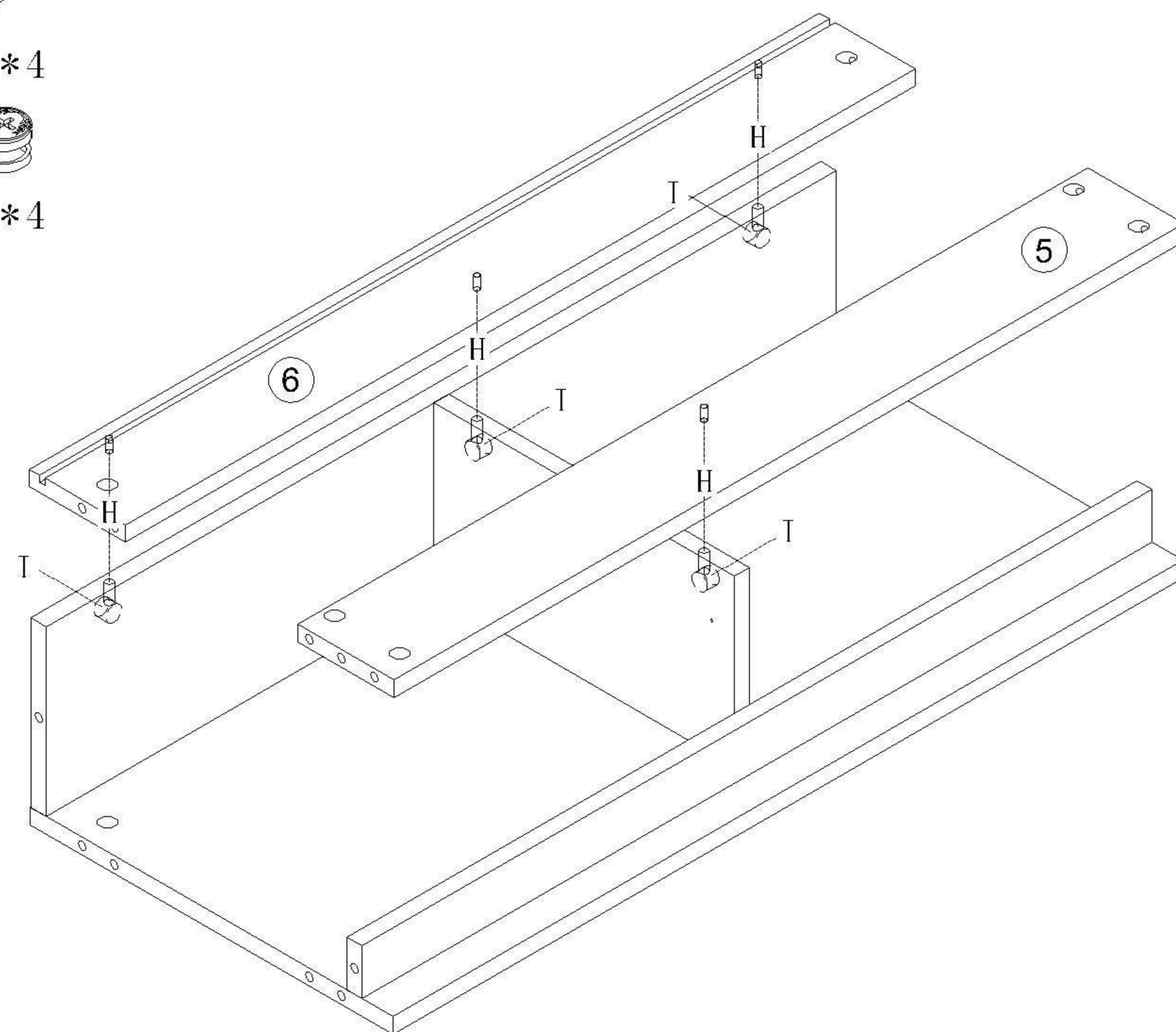
(N)*1



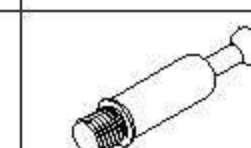
(H)*4



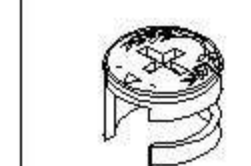
(I)*4



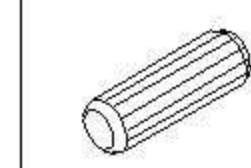
7



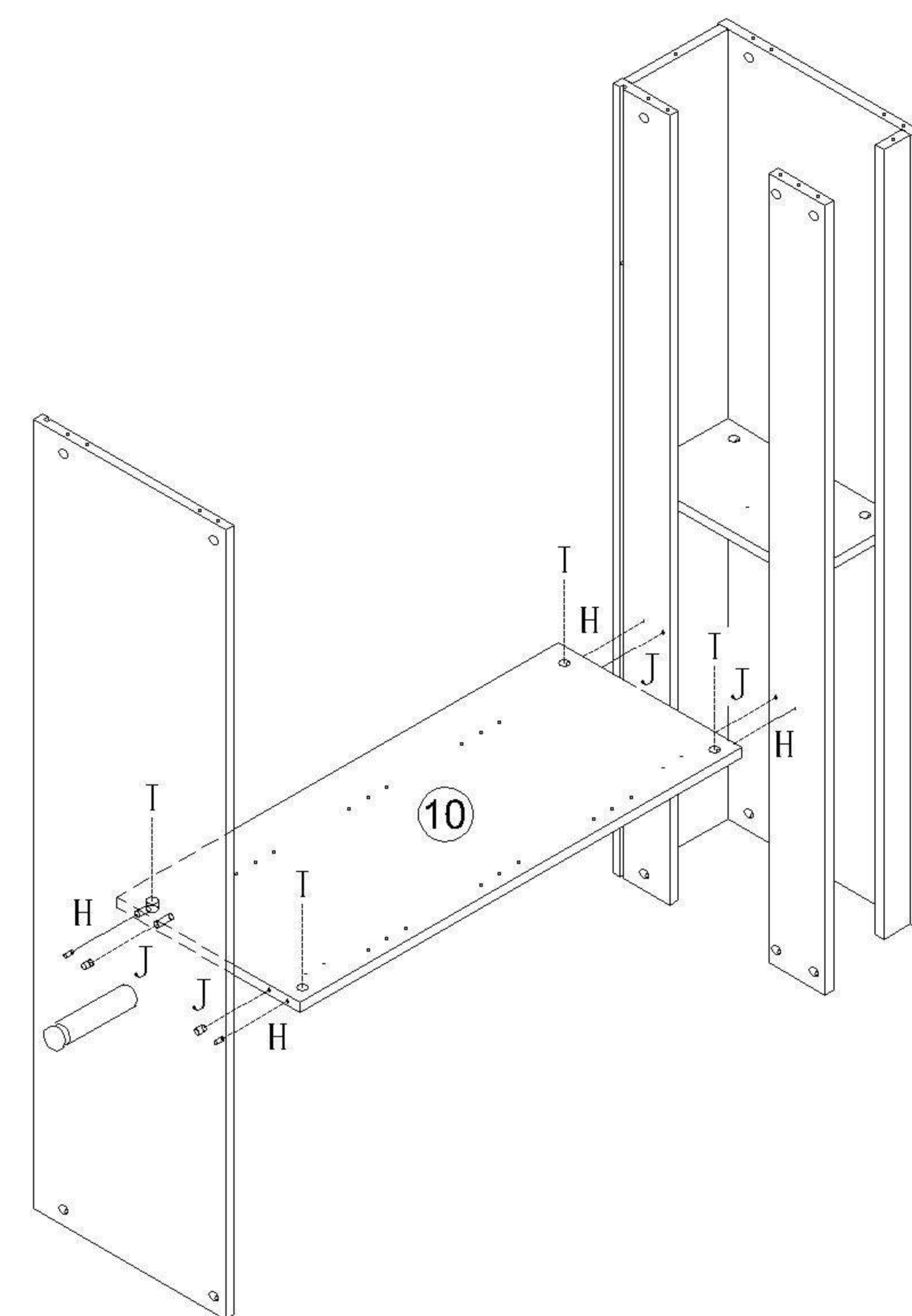
(H)*4



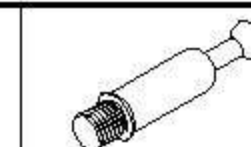
(I)*4



(J)*4



5



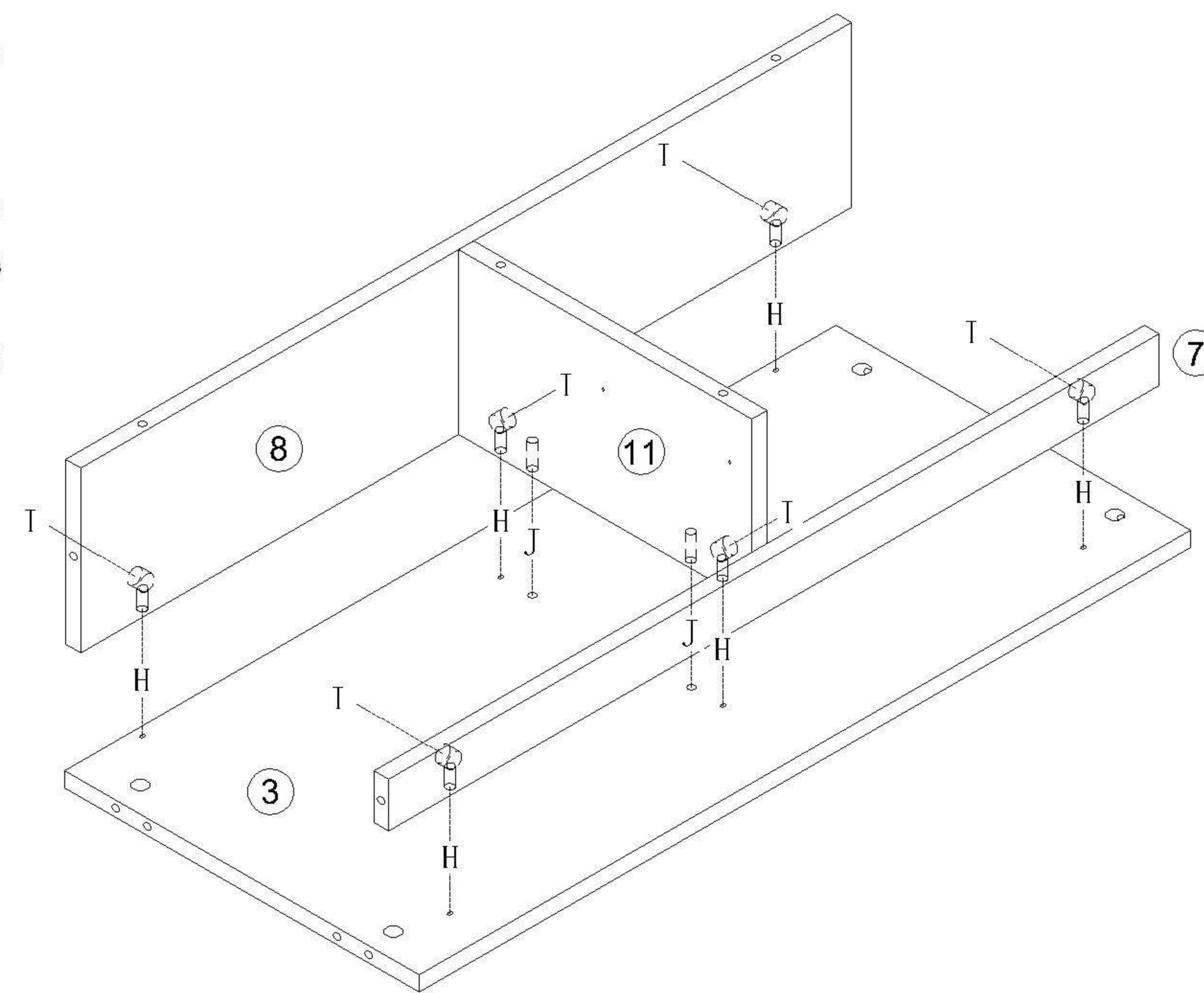
(H)*6



(I)*6



(J)*2



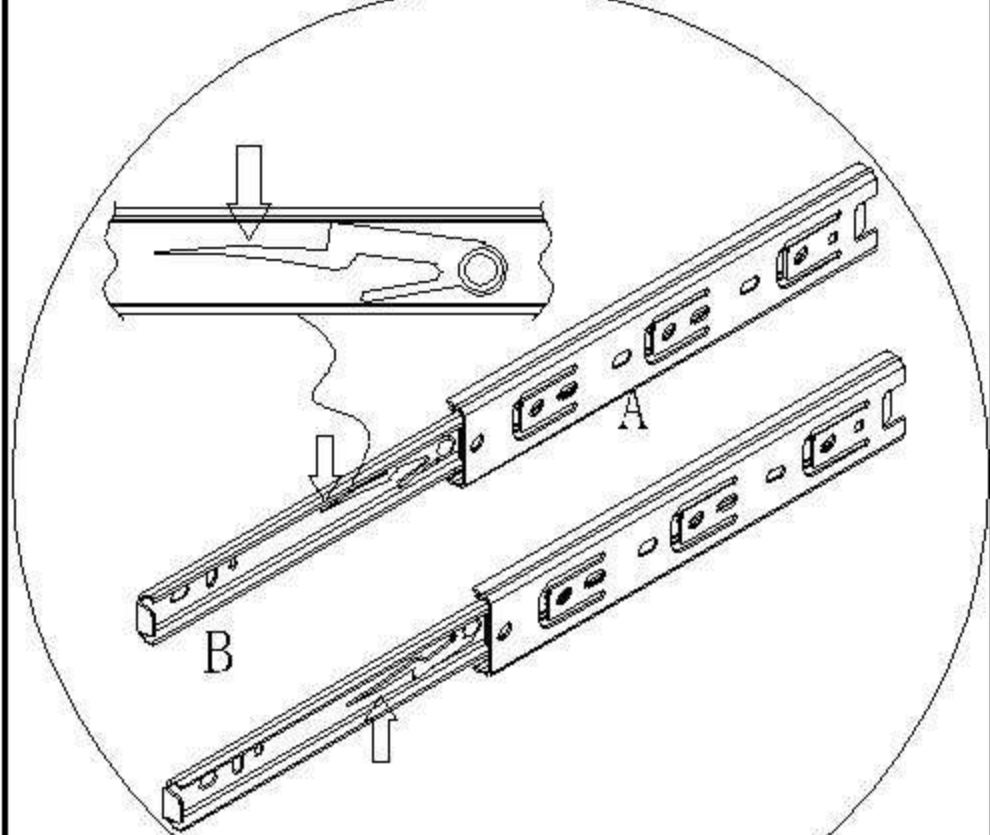
8

6

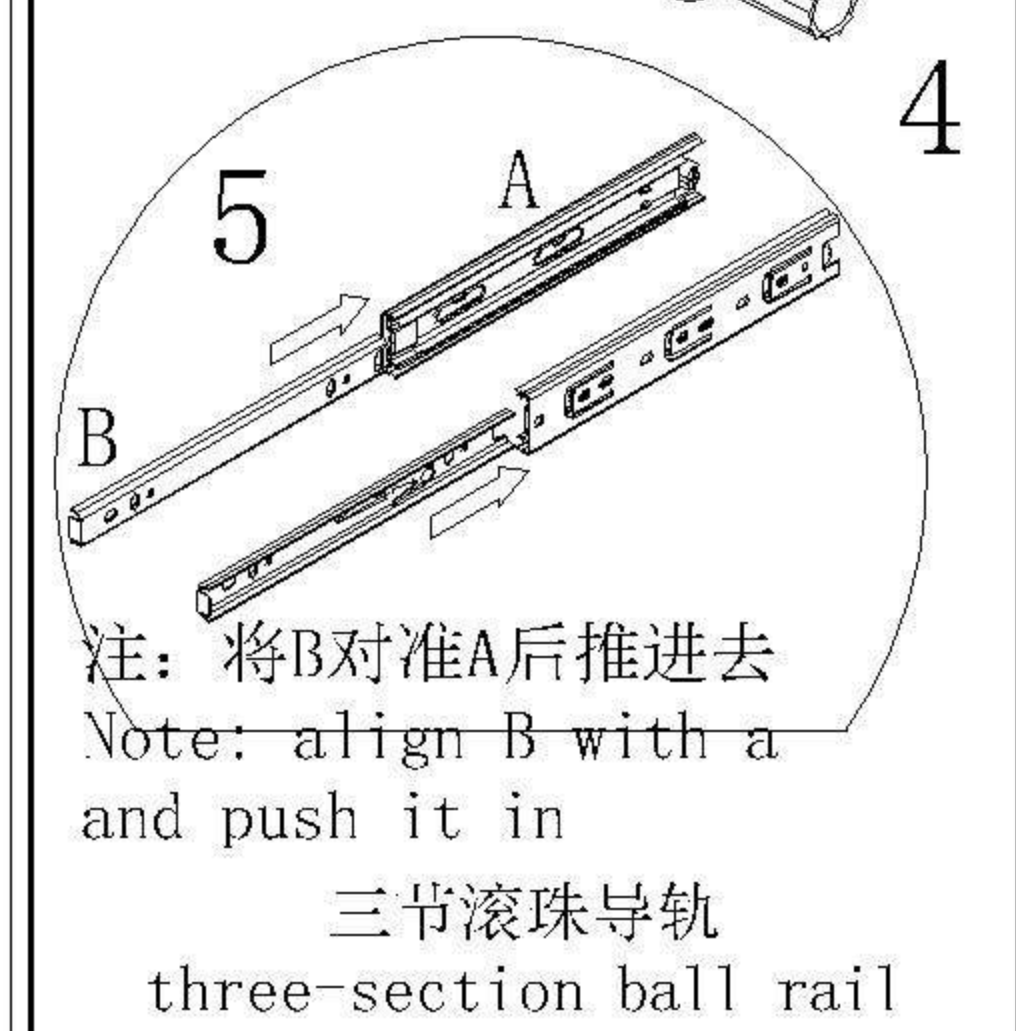
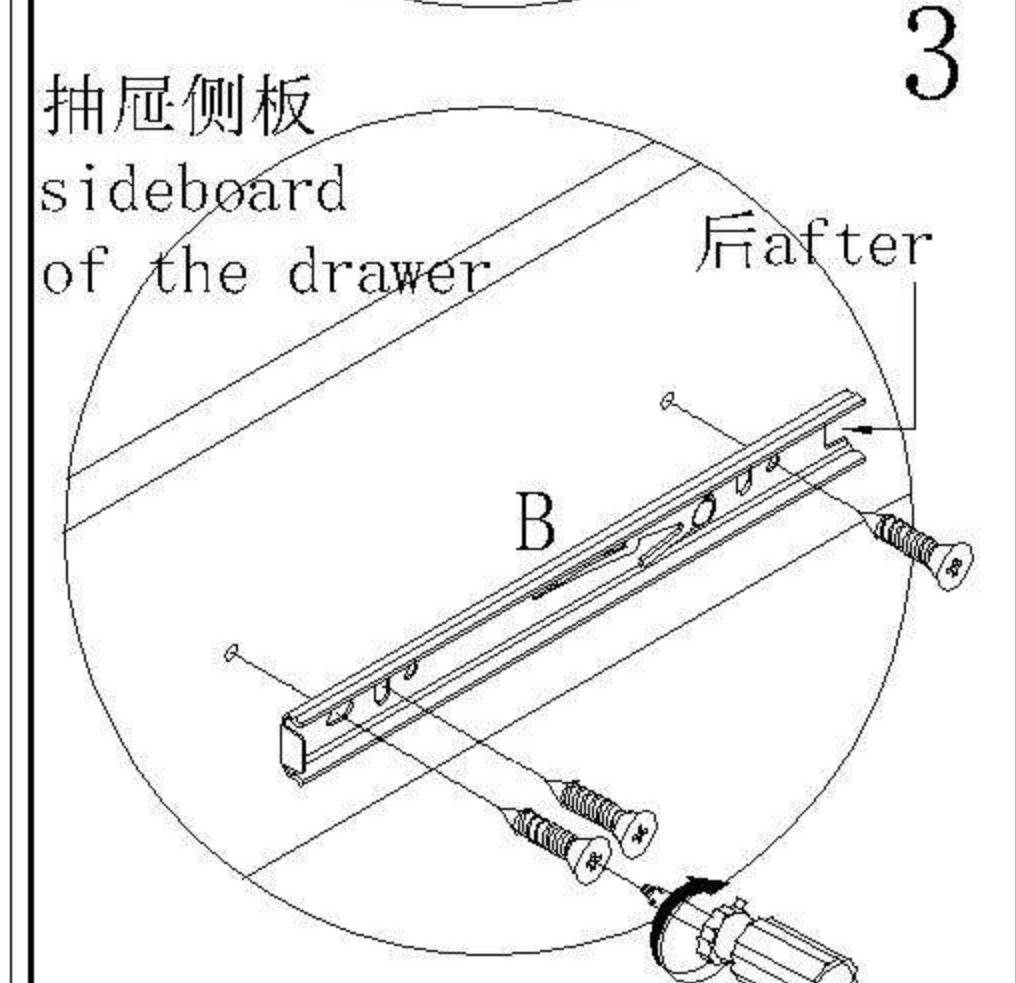
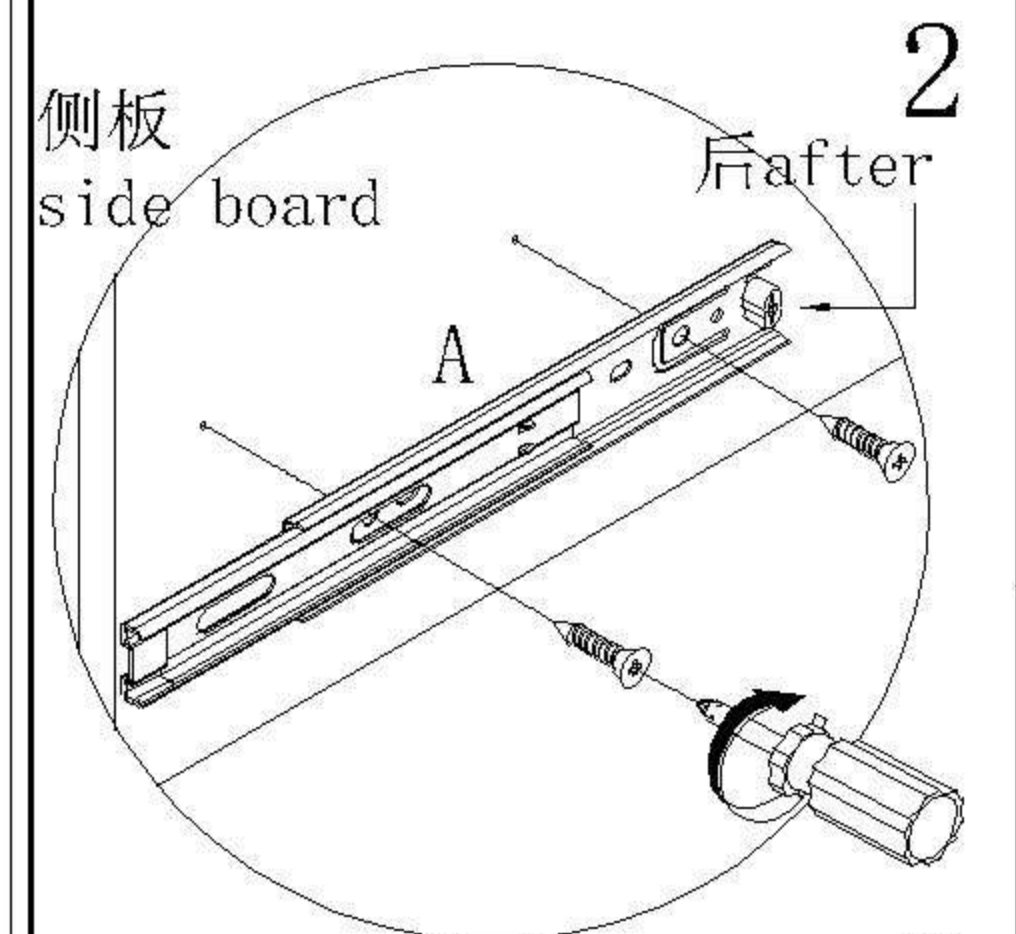
YZ1N-A(1.2m)

安装方法/
Installation method

1 阀门开关(下压为开)
Valve switch
(press down to open)

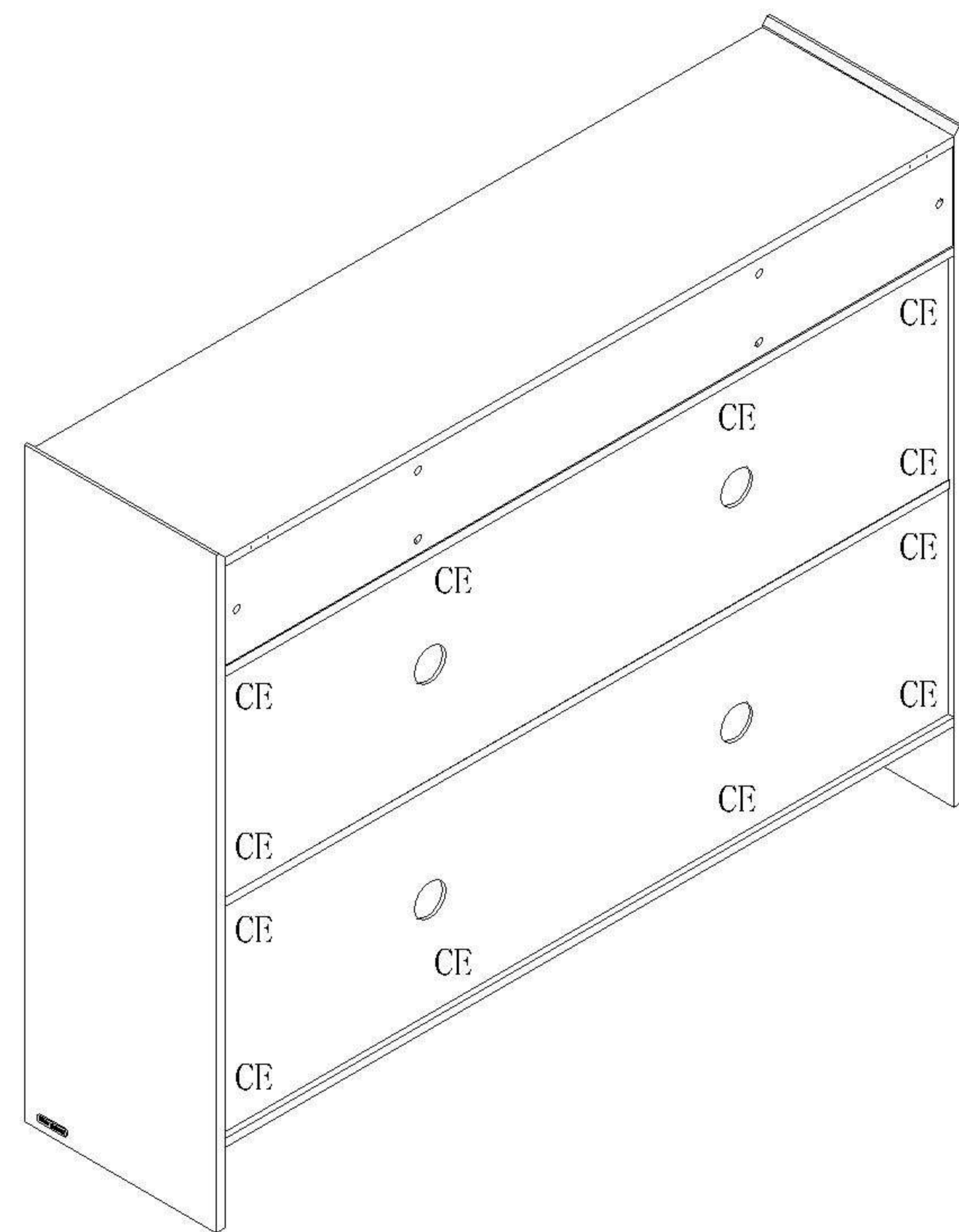
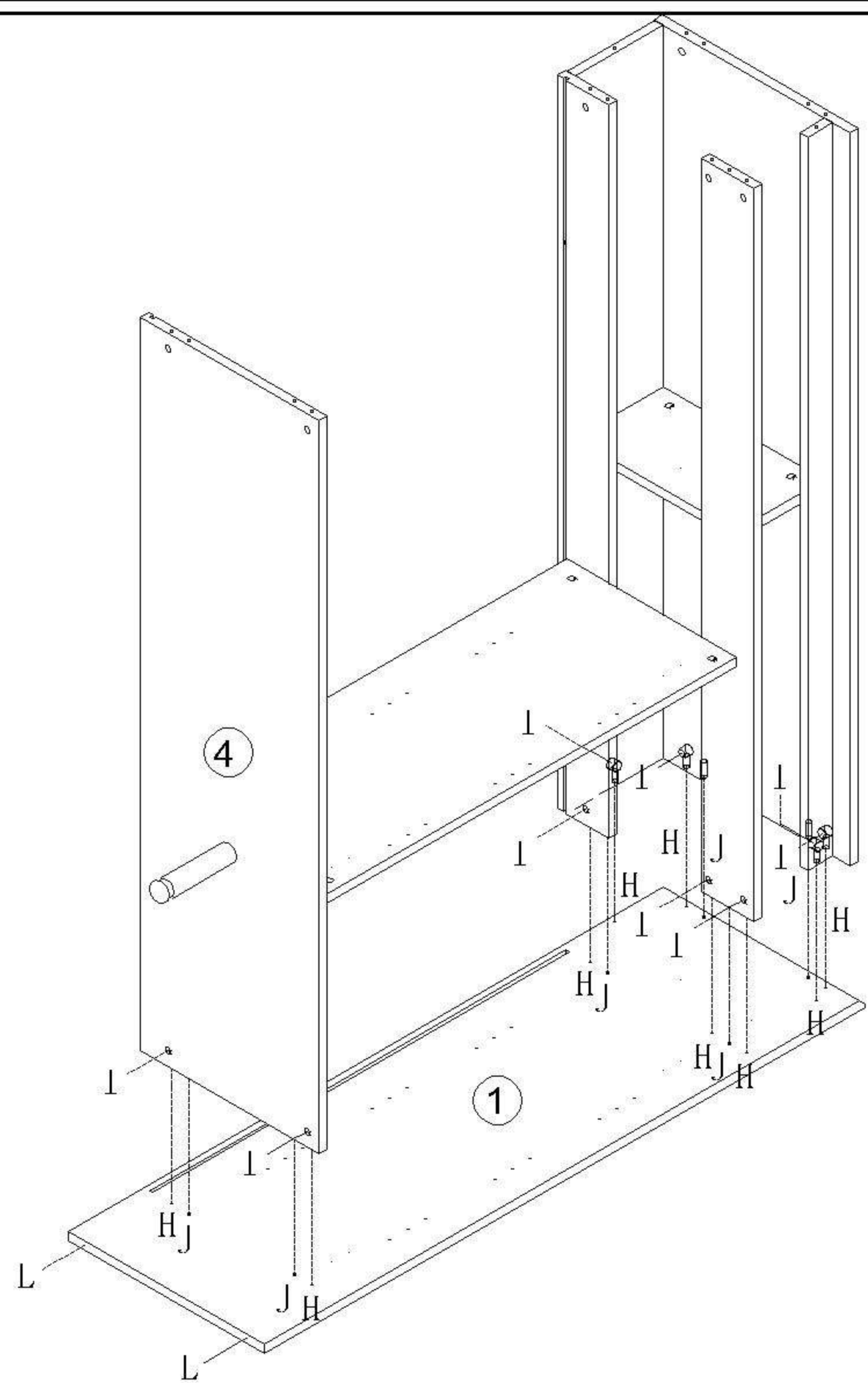


注: 先将A与B拆下来
Note: remove a and B first



- (H)*9
- (T)*9
- (J)*6
- (L)*2

- (C)*12
- (E)*12



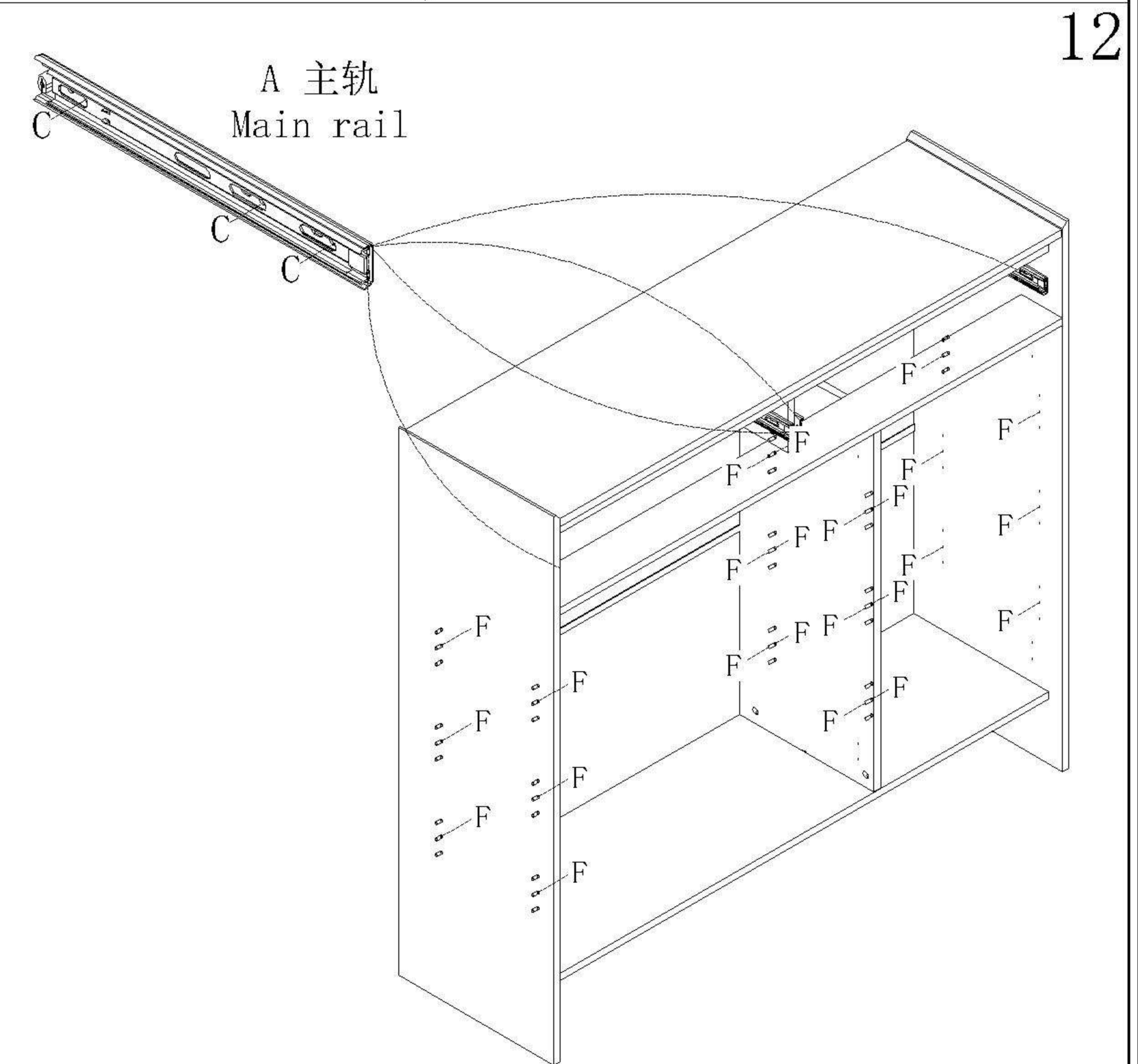
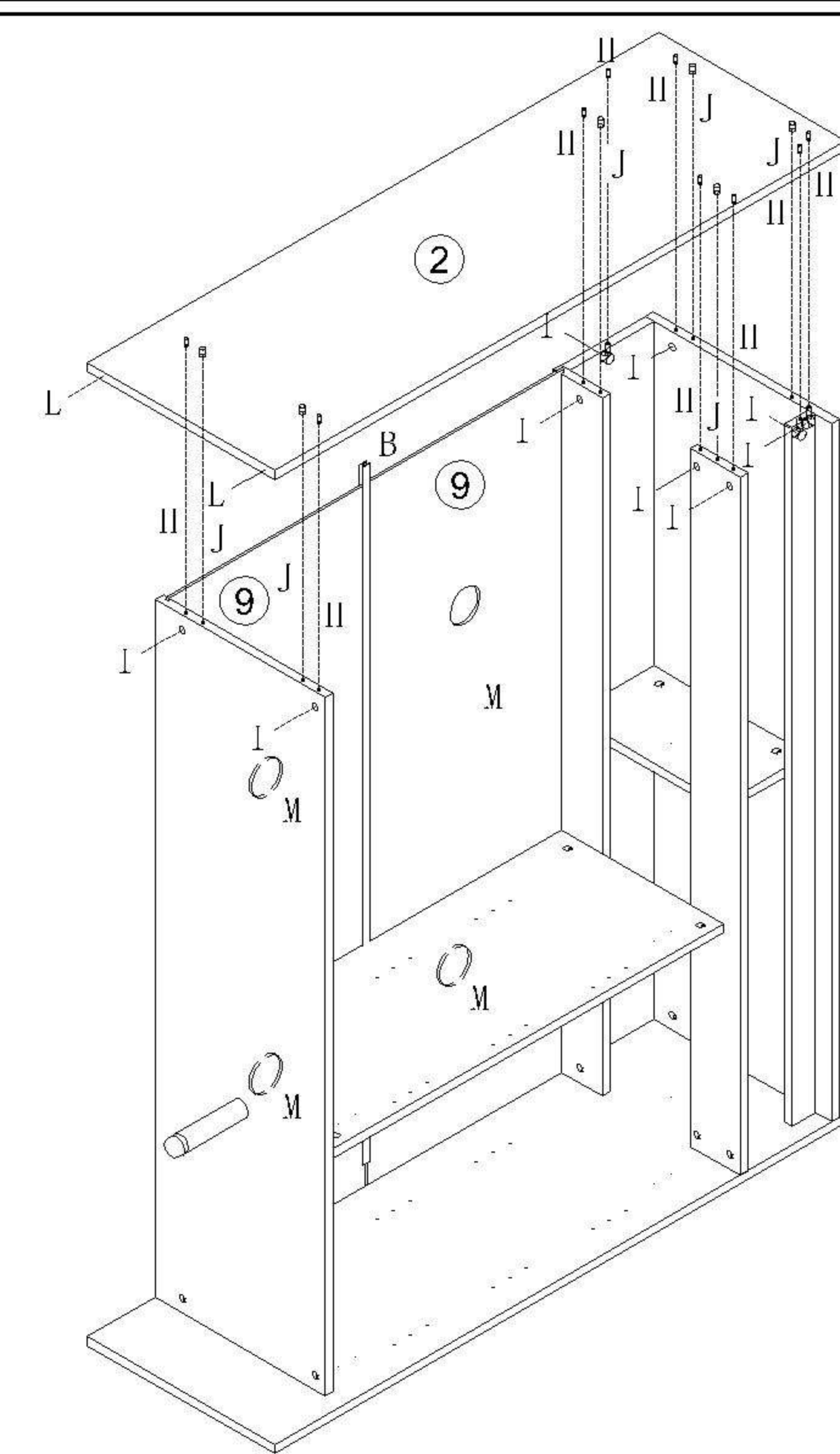
9

- (B)*1
- (H)*9
- (T)*9
- (J)*6
- (L)*2
- (M)*4

11

- (A)*2
- (C)*12
- (F)*24

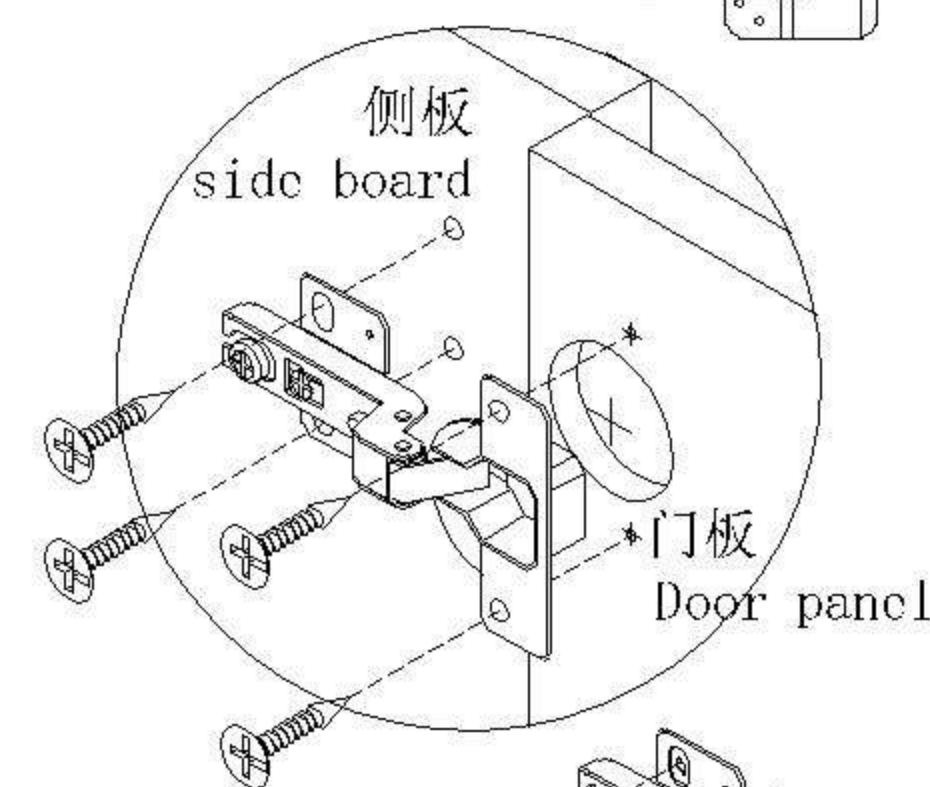
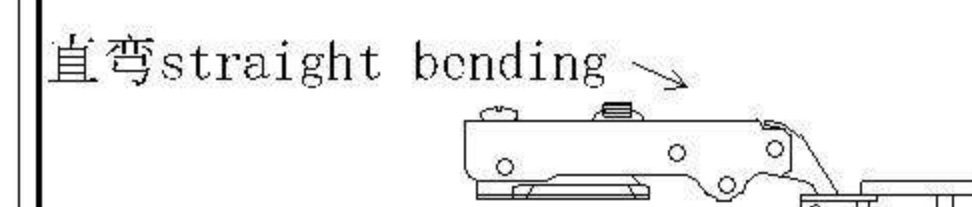
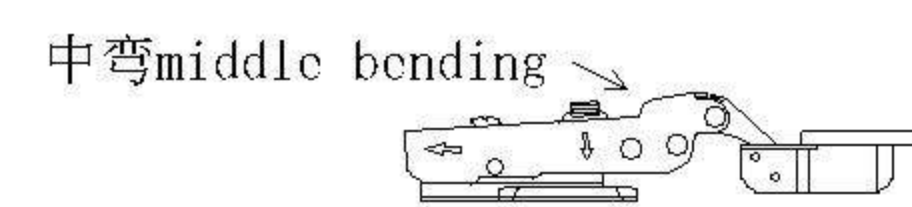
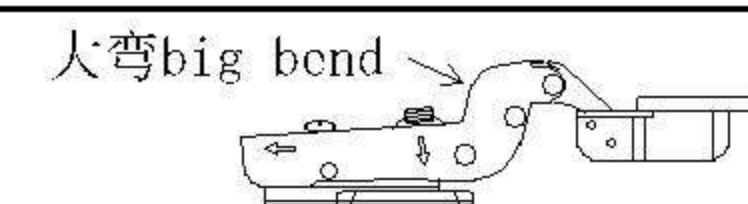
10



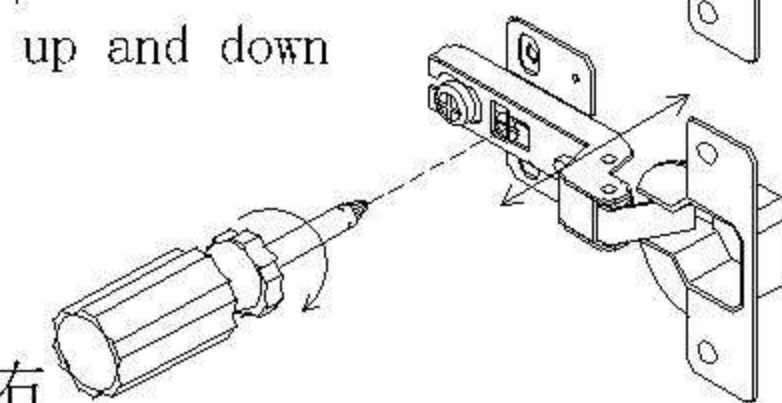
12

YZ1N-A(1.2m)

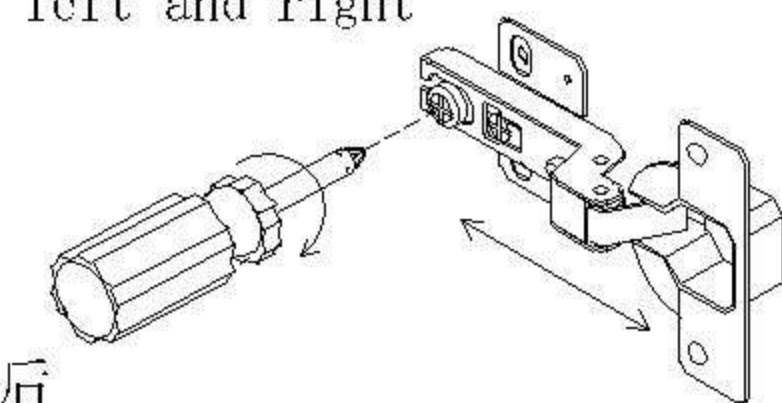
安装方法/
Installation method



调节上下
Adjust up and down

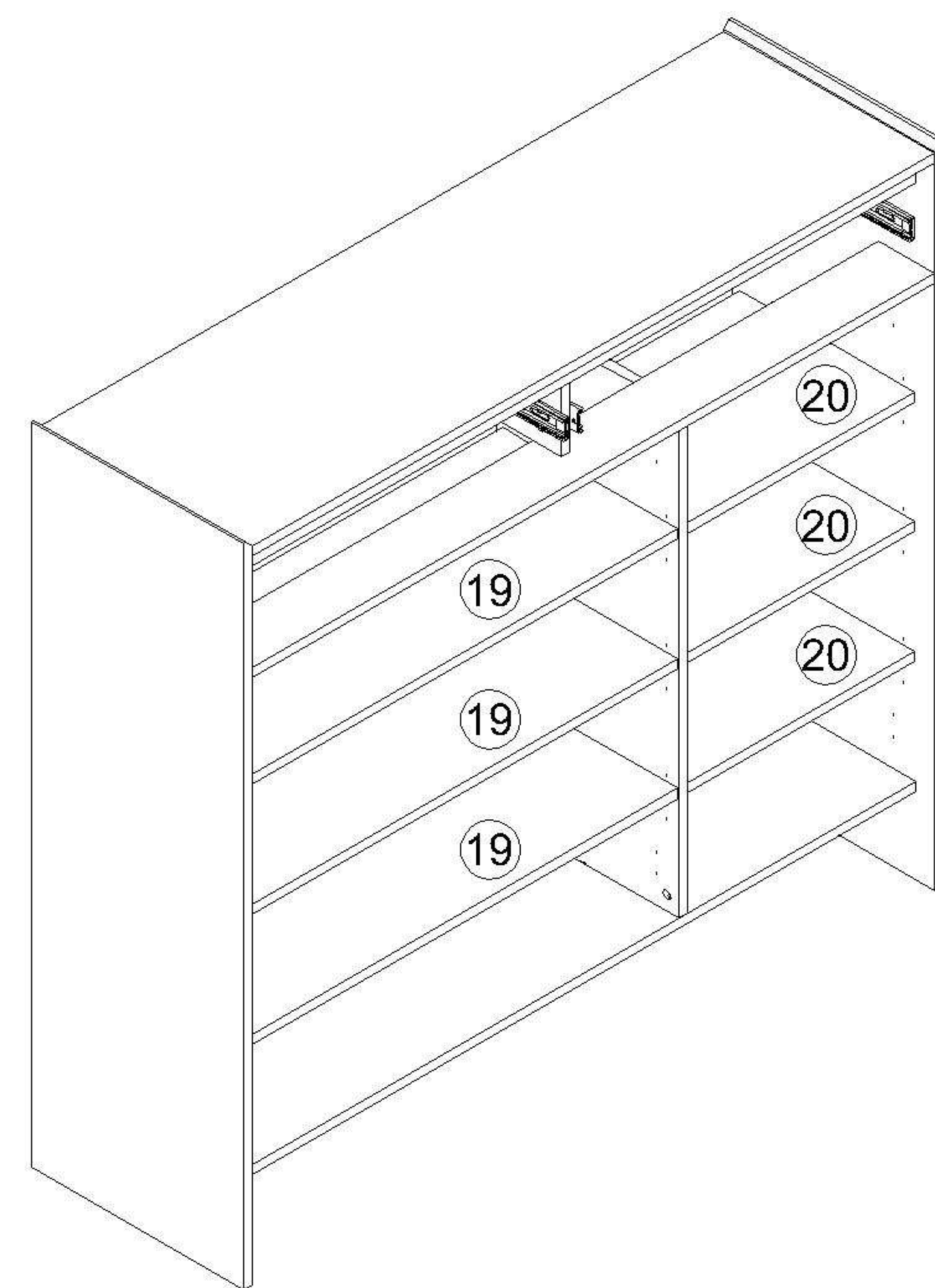


调节左右
Adjust left and right

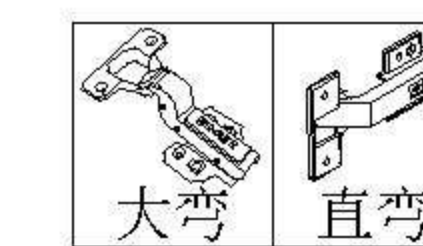
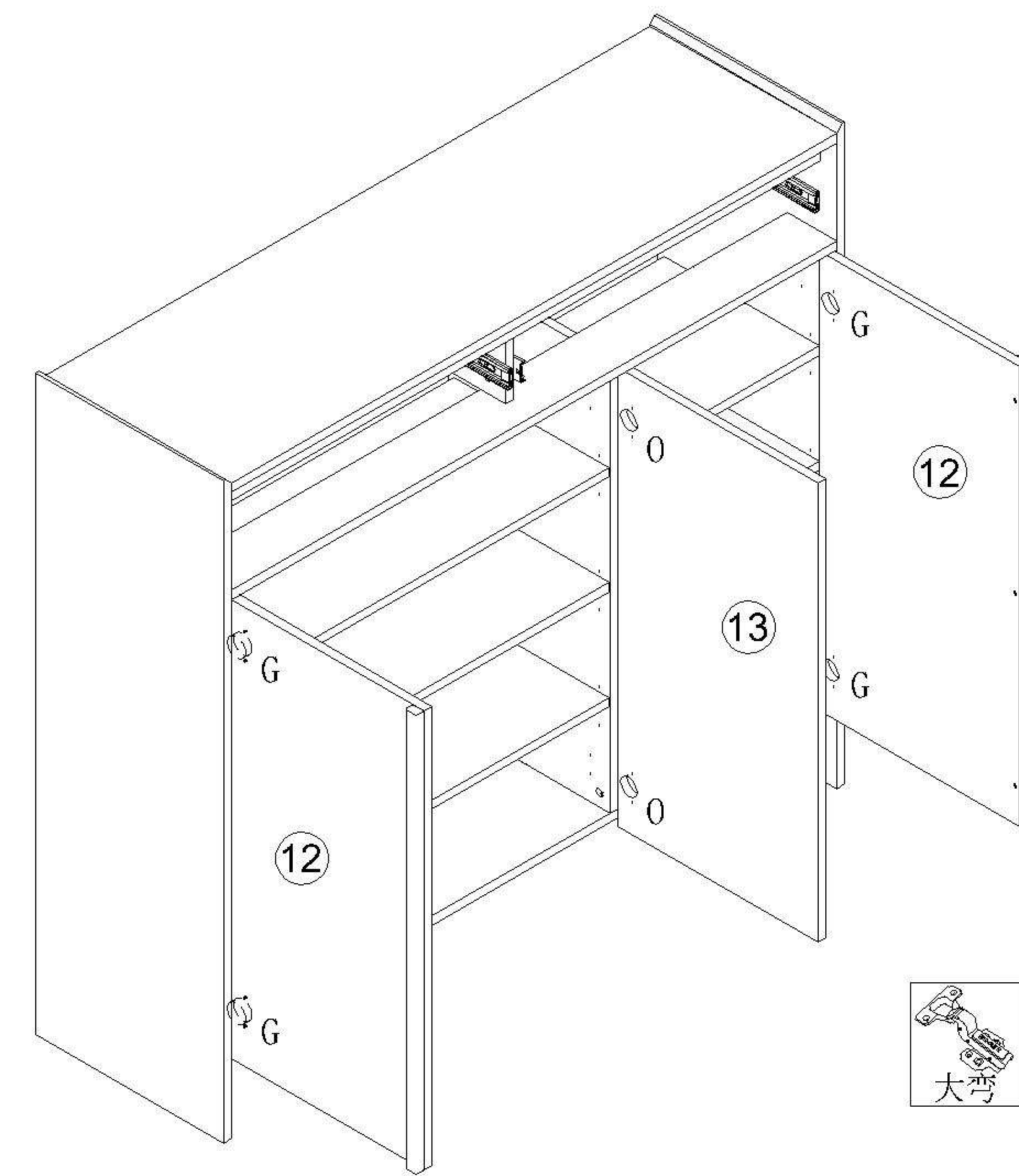


调节前后
Before and after adjustment

门铰
Hinge

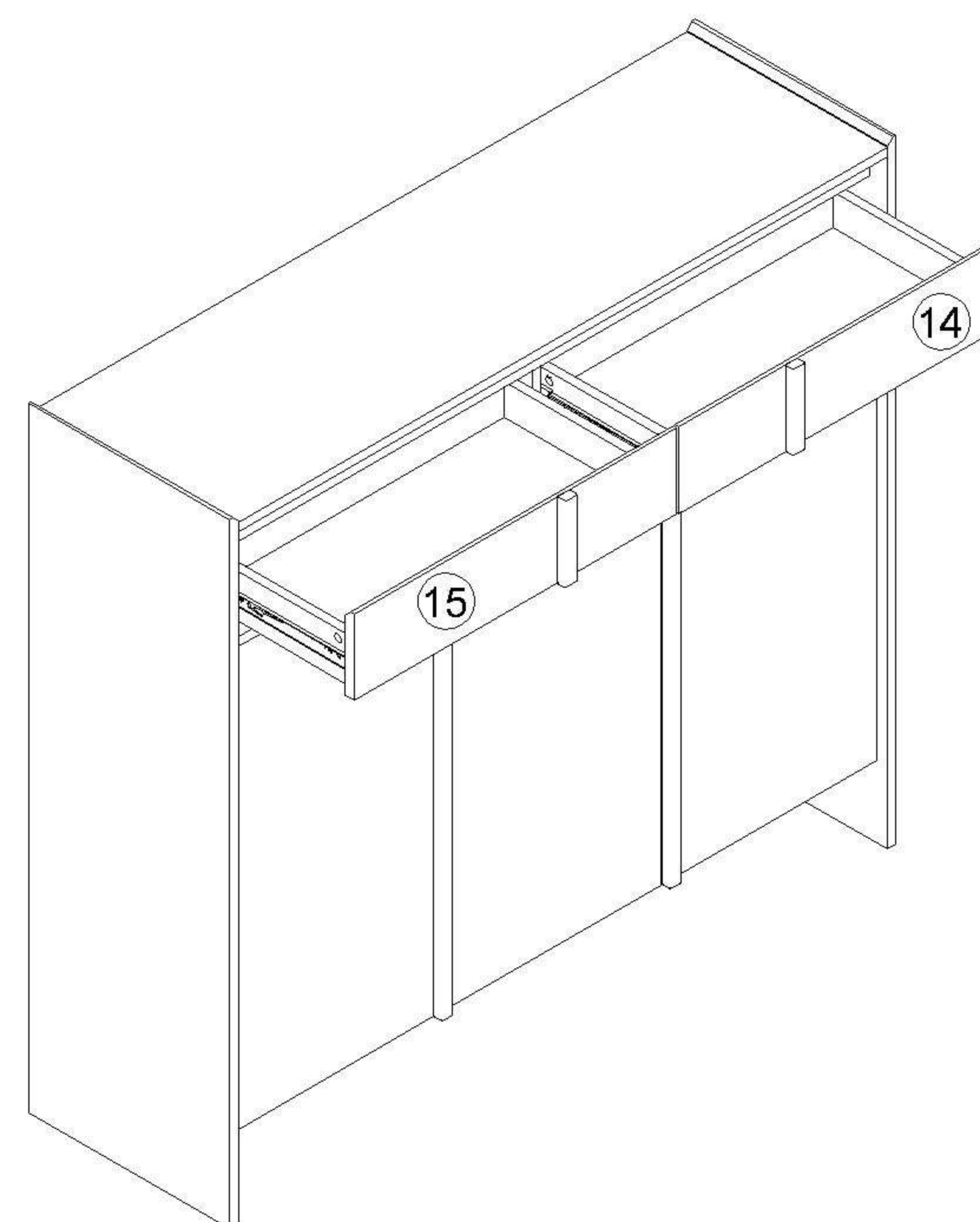


13
(G)*4
(O)*2

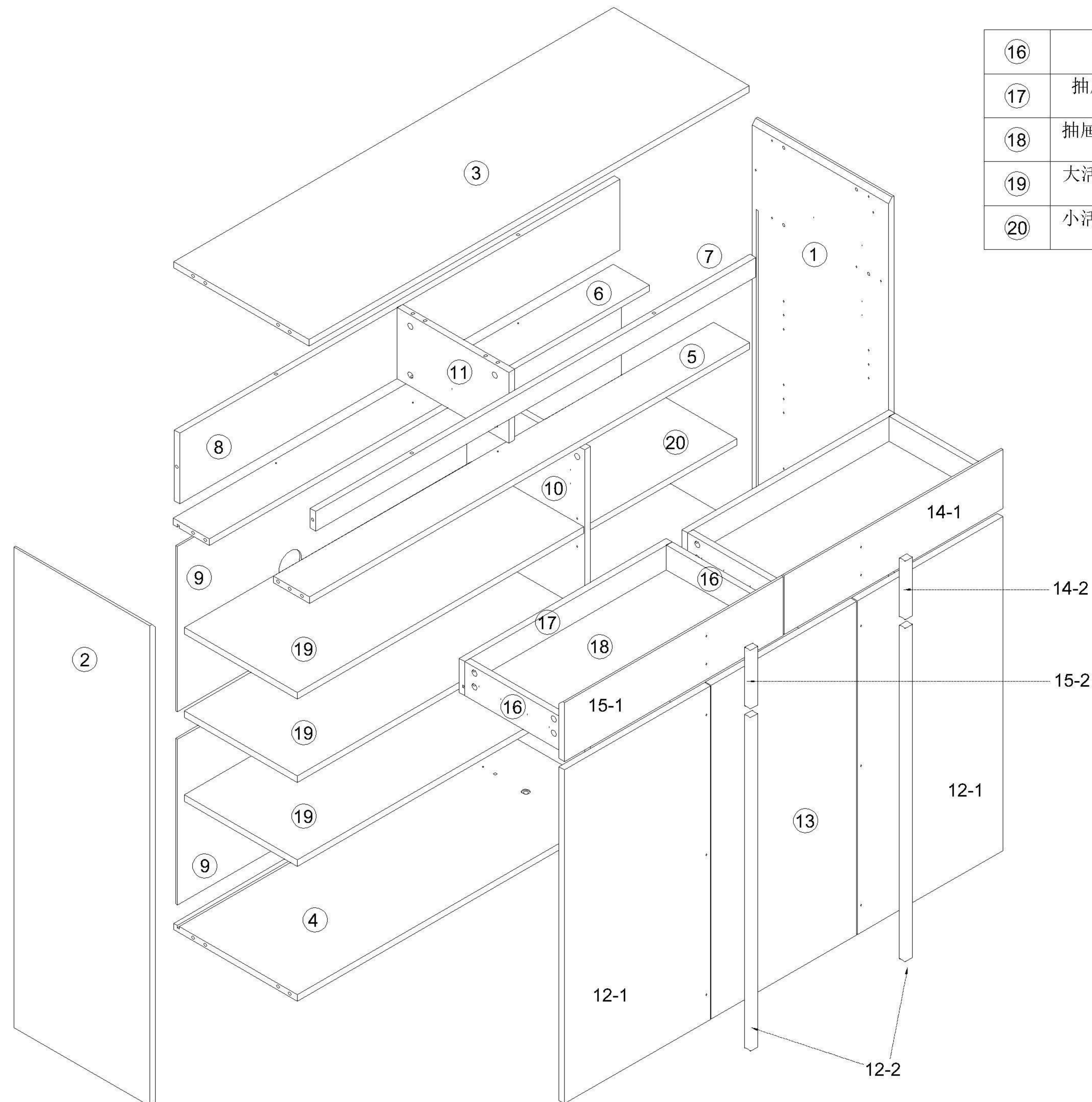


14

15



16



编号NO.	名称Name
①	右侧板 Side board(R)
②	左侧板 Side board(L)
③	面板 Top panel
④	底板 Bottom board
⑤	前拉条 Front brace
⑥	后拉条 Back brace
⑦	前档条 Front blocking strip
⑧	上背板 Upper back board
⑨	下背板 Lower back board
⑩	下中隔板 Lower middle clapboard
⑪	上中隔板 Upper middle clapboard
⑫	边门板组立 Side door panel assembly
12-1	边门板 Side door panel
12-2	门板拉手 Door handle
⑬	中门板 Middle door board
⑭	右抽面组立 Drawer panels assembly(R)
14-1	右抽屉面板 Drawer panels (R)
14-2	抽屉拉手 Drawer handle
⑮	左抽面组立 Drawer panels assembly(L)
15-1	左抽屉面板 Drawer panels (L)
15-2	抽屉拉手 Drawer handle