

LINSY 林氏家居

五金表/Hardware list

部件表/Parts List

安装示意图/Assembly Instruction

产品名称 Model NO.

四门衣柜2.4m

产品型号 Product Model

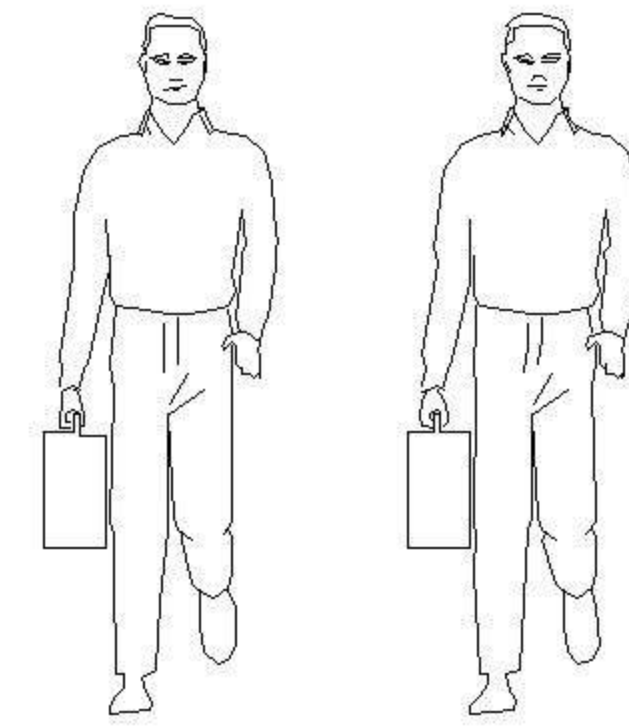
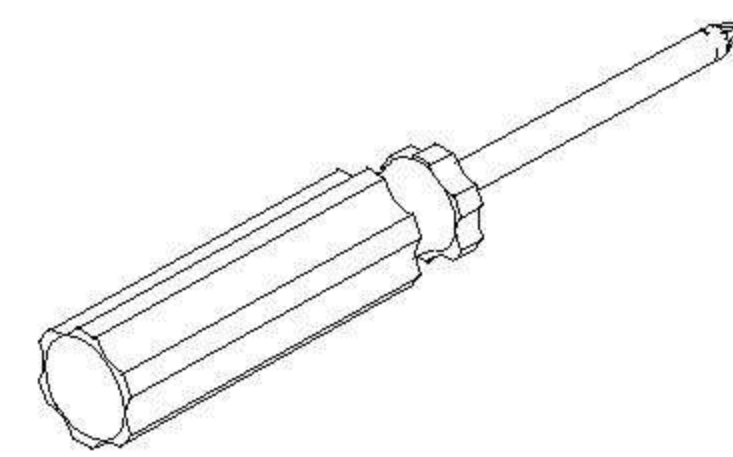
YZ1D-A

尺寸规格 Specification

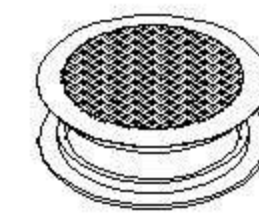
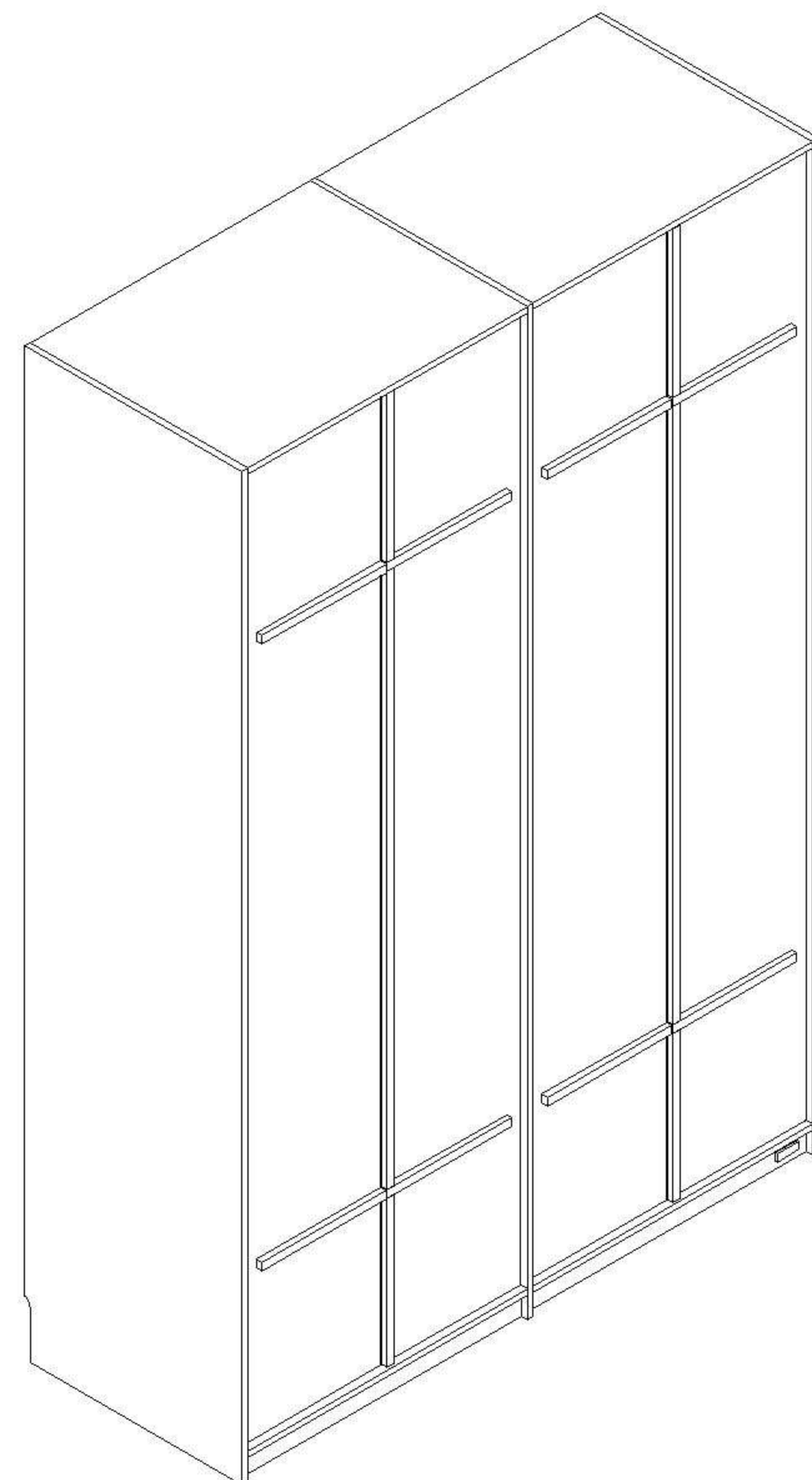
(1577*594*2403)mm

安装工具 Tool

安装人数 Installer



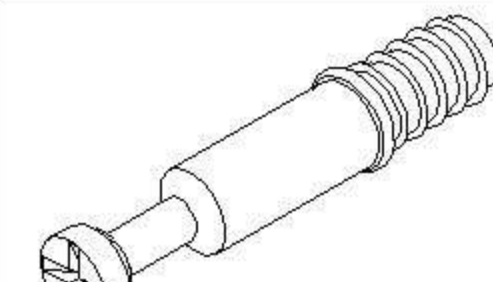
注：为保证设计效果，部分尺寸为定制尺寸，不影响使用。



(A)* 4

透气孔盖

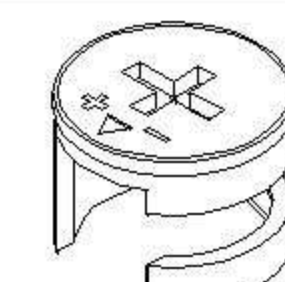
Vent cover white



(B)* 42

二合一螺杆

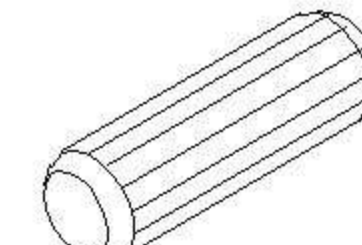
2 in 1 screw



(C)* 59

大三合一锁饼

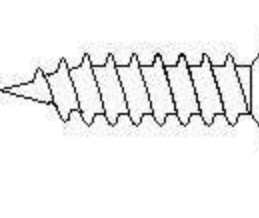
Three in one large lock



(D)* 13

木榫Ø8x30mm

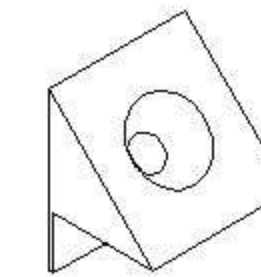
wood tenon



(E)* 25

自攻螺丝M3.5x14mm

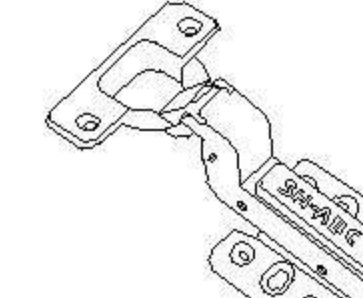
Self tapping screw



(F)* 13

背板扣

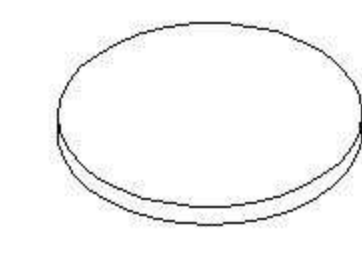
Back Plate Buckle White



(G)* 20

缓冲门铰大弯-Ø35

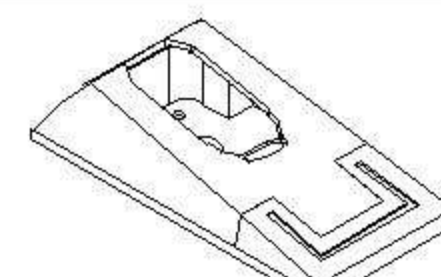
Hinge-big bends



(H)* 14

脚垫

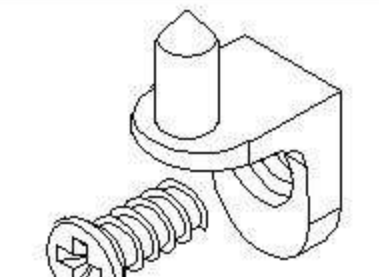
Footrest



(I)* 6

挂衣杆托

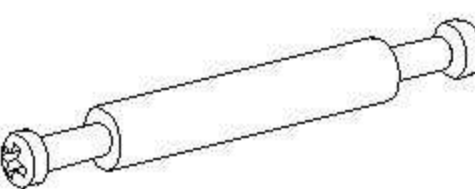
Clothes hanger



(J)* 16

层板托

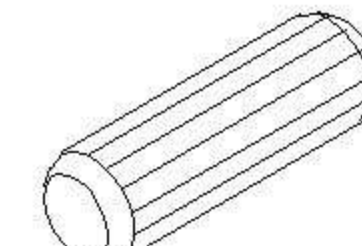
shelf support



(K)* 8

双头三合一螺杆

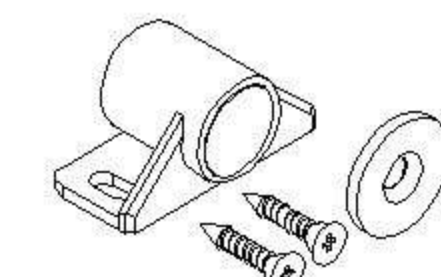
Double head 3-in-1 screw



(L)* 6

木榫Ø8x50mm

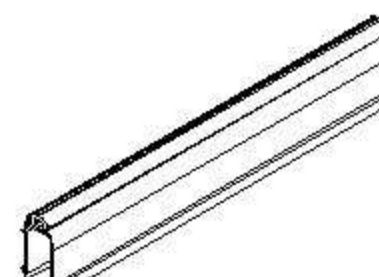
wood tenon



(M)* 4

古铜色消音磁碰

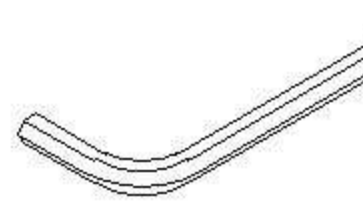
magnetic catch



(N)* 3

挂衣杆-L=758mm

Clothes hanging rod



(O)* 1

内六角扳手4mm

spanner-(4mm) hex

编号NO.

名称Name

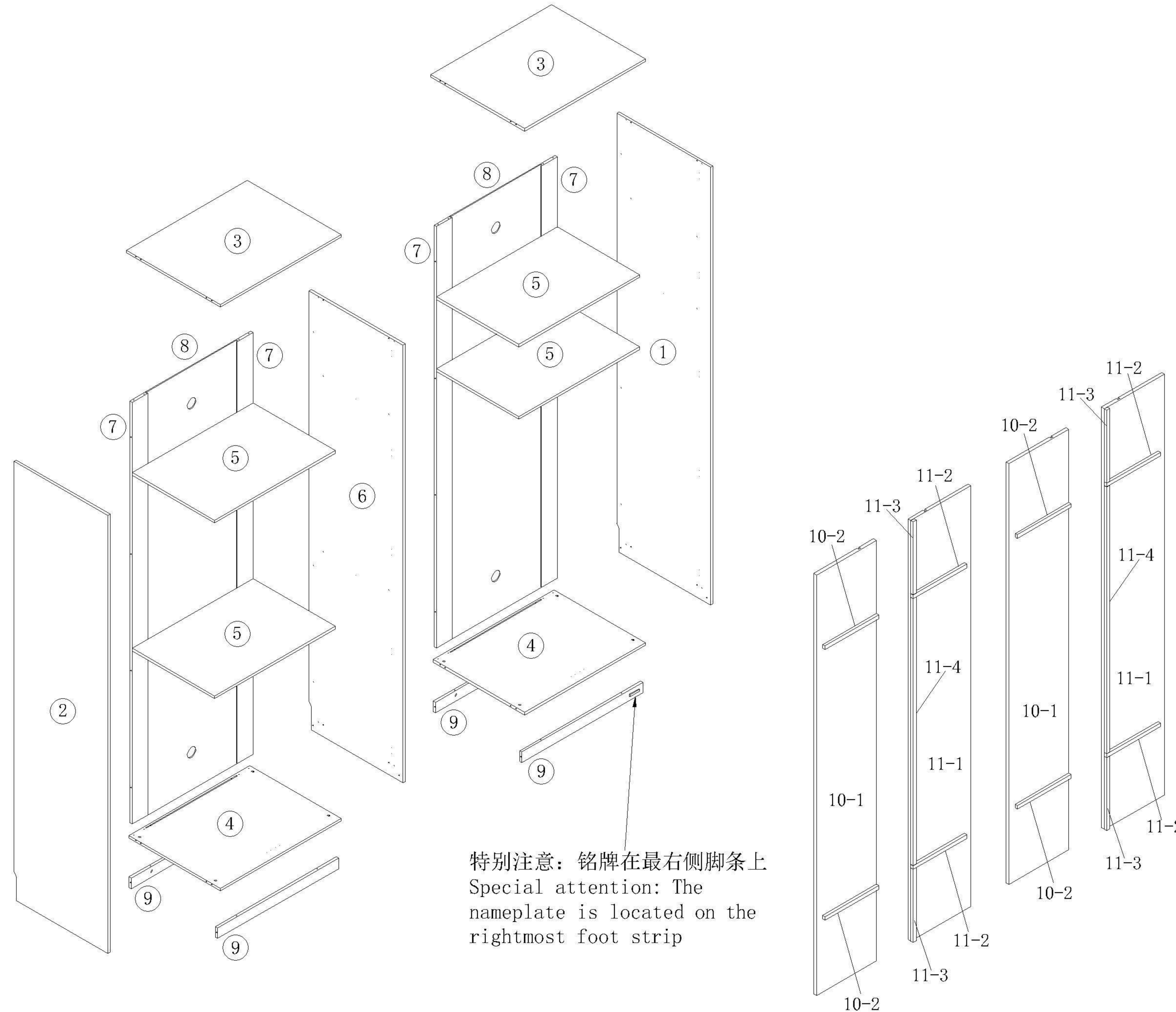
规格 (mm)
Specification

数量QTY

材质Material

①	右侧板Side board (R)	2400*594*15	1	刨花板 Particle board
②	左侧板Side board (L)	2400*594*15	1	刨花板 Particle board
③	顶板Top board	766*594*15	2	刨花板 Particle board
④	底板Bottom board	766*579*15	2	刨花板 Particle board
⑤	活动层板 Movable shelf	765*522*15	4	刨花板 Particle board
⑥	中侧板Middle side board	2400*594*15	1	刨花板 Particle board
⑦	边背拉条Side back brace	2312*101*15	4	刨花板 Particle board
⑧	背板Back board	2322*575*5	2	纤维板 Fiberboard
⑨	前脚条Front foot strip	766*58*15	4	刨花板 Particle board
⑩	左门板组立Door board assembly (L)	2306*380*33	2	刨花板+白蜡木 Particle board+Ash
10-1	左门板Door board (L)	2306*380*18	2	刨花板 Particle board
10-2	门板装饰条1 Door panel decorative strip 1	340*15*20	4	白蜡木 Ash
⑪	右门板组立Door board assembly (R)	2306*380*33	2	刨花板+白蜡木 Particle board+Ash
11-1	右门板Door board (R)	2306*380*18	2	刨花板 Particle board
11-2	门板装饰条1 Door panel decorative strip 1	340*15*20	4	白蜡木 Ash
11-3	门板装饰条2 Door panel decorative strip 2	400*15*20	4	白蜡木 Ash
11-4	门板装饰条3 Door panel decorative strip 3	1463*15*20	2	白蜡木 Ash

警告：门板与柜体有设计所需的开启间隙，小心夹伤
Warning: The door panel and the cabinet have the opening gap required by the design, beware of clamping

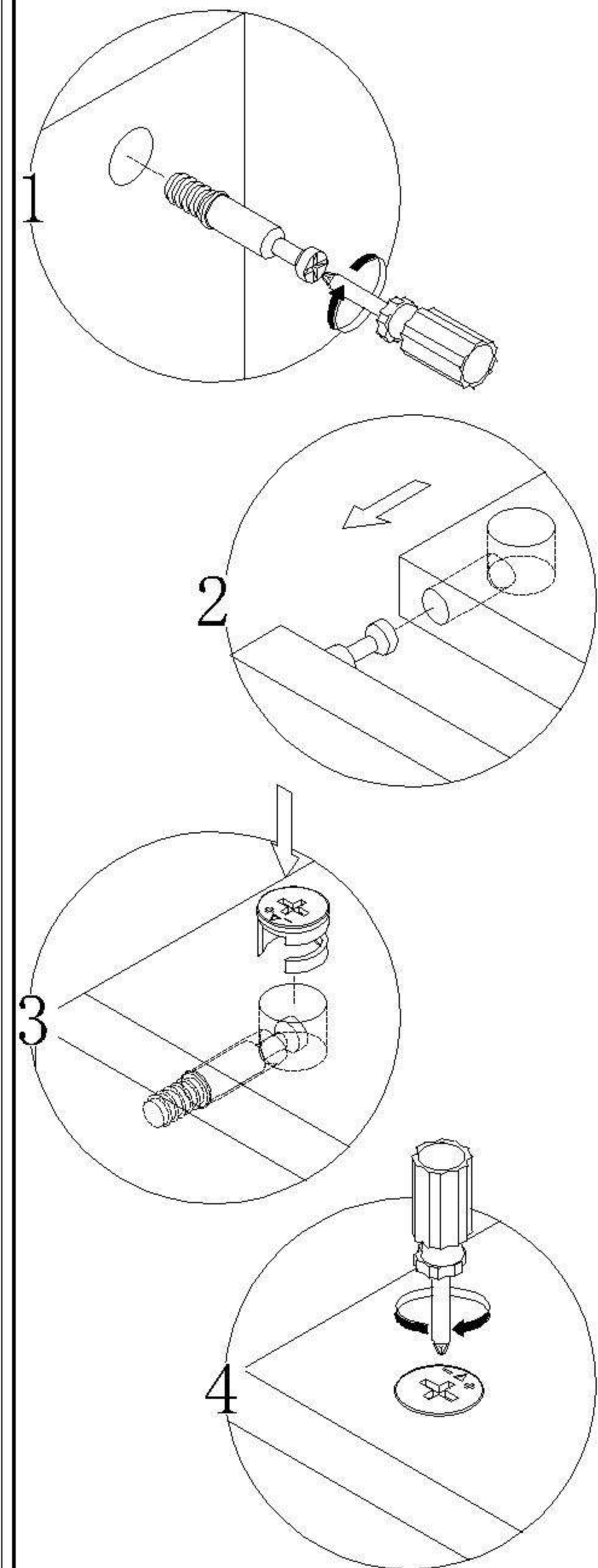


特别注意：铭牌在最右侧脚条上
 Special attention: The nameplate is located on the rightmost foot strip

编号NO.	名称Name
①	右侧板Side board (R)
②	左侧板Side board (L)
③	顶板Top board
④	底板Bottom board
⑤	活动层板 Movable shelf
⑥	中侧板Middle side board
⑦	边背拉条Side back brace
⑧	背板Back board
⑨	前脚条Front foot strip
⑩	左门板组立Door board assembly (L)
10-1	左门板Door board (L)
10-2	门板装饰条1 Door panel decorative strip 1
⑪	右门板组立Door board assembly (R)
11-1	右门板Door board (R)
11-2	门板装饰条1 Door panel decorative strip 1
11-3	门板装饰条2 Door panel decorative strip 2
11-4	门板装饰条3 Door panel decorative strip 3

YZ1D-A 四门衣柜2.4m

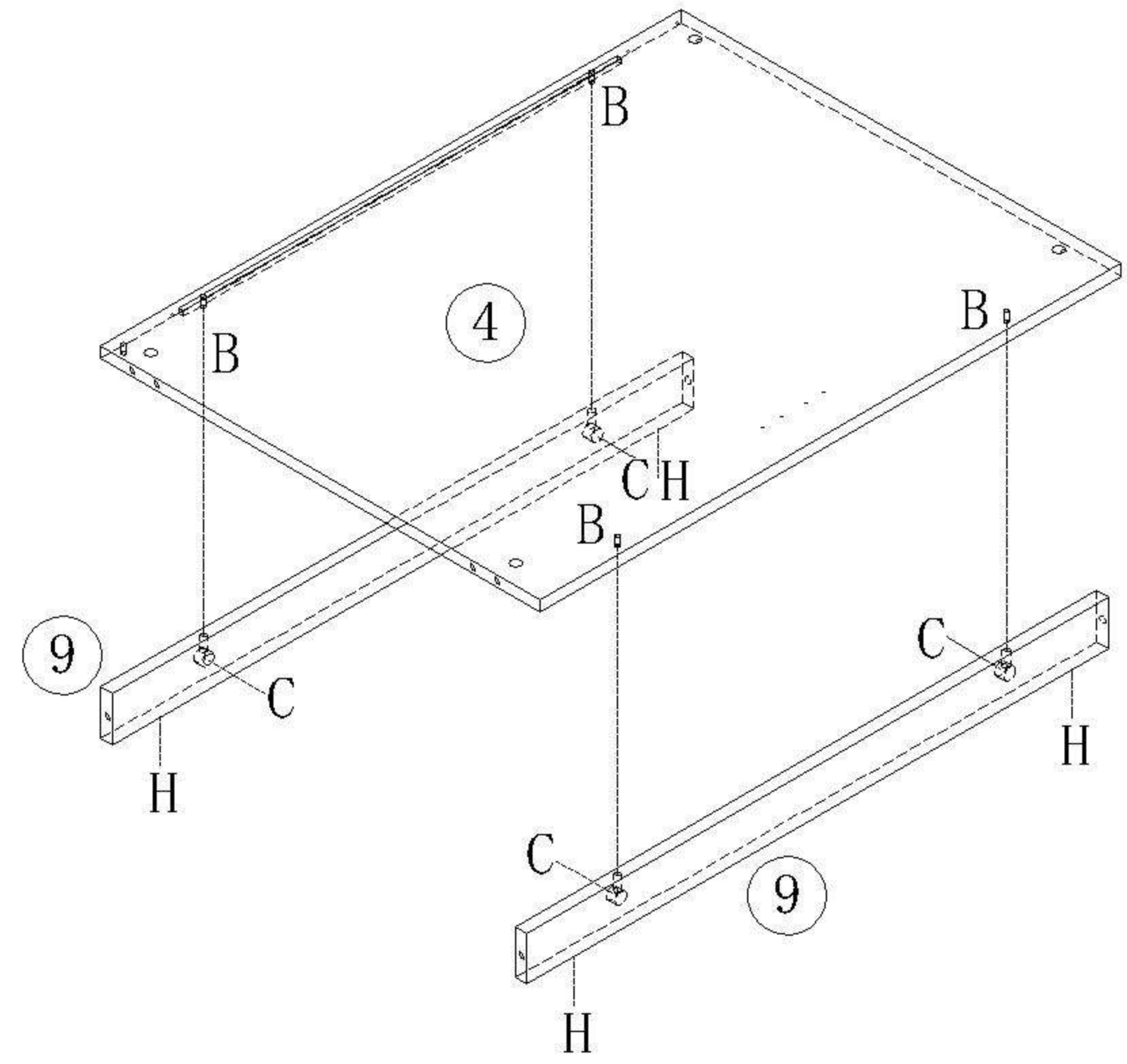
安装方法/
Installation method



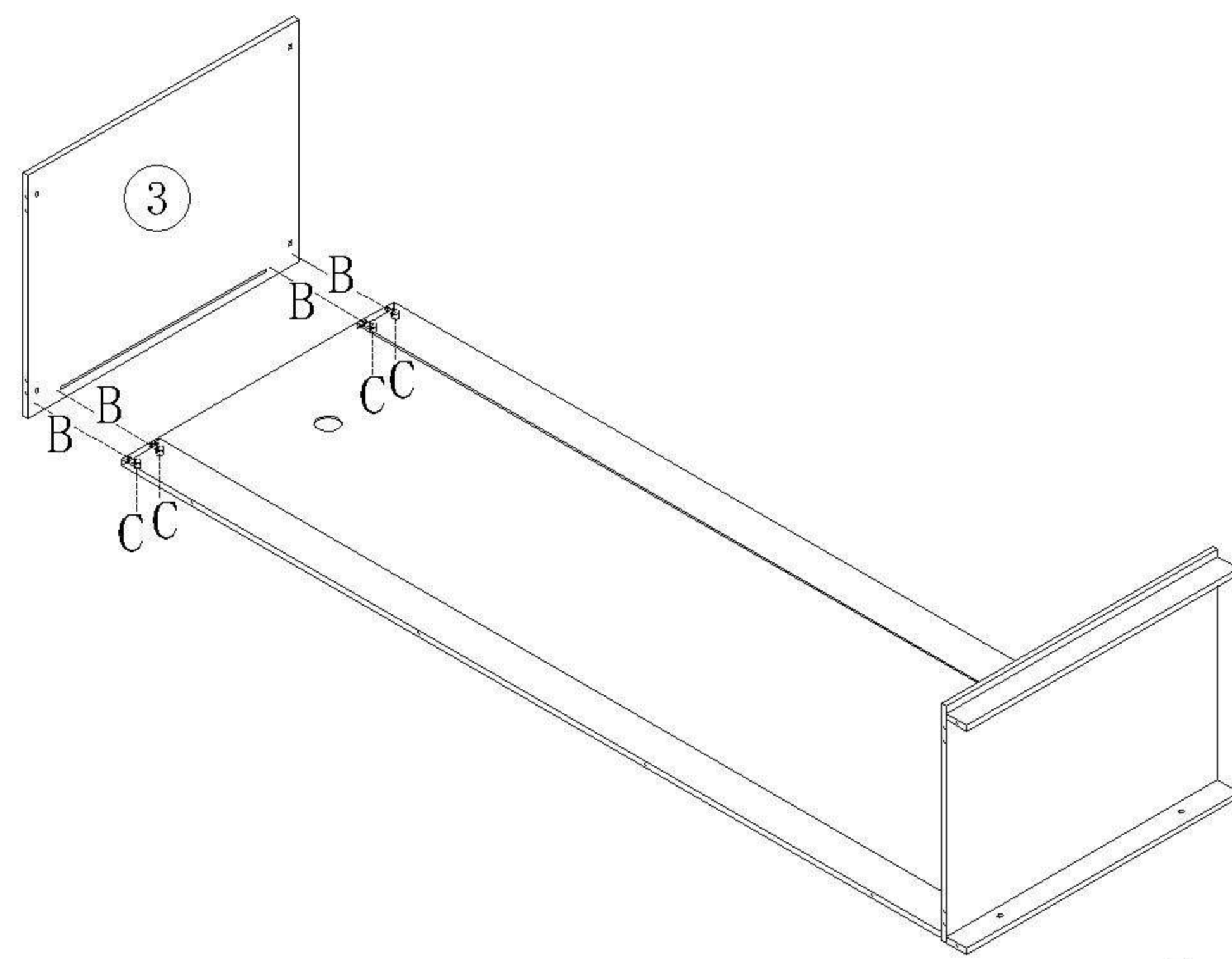
大二合一
two-in-one

- (B)*8
- (C)*8
- (H)*8

- (B)*8
- (C)*8



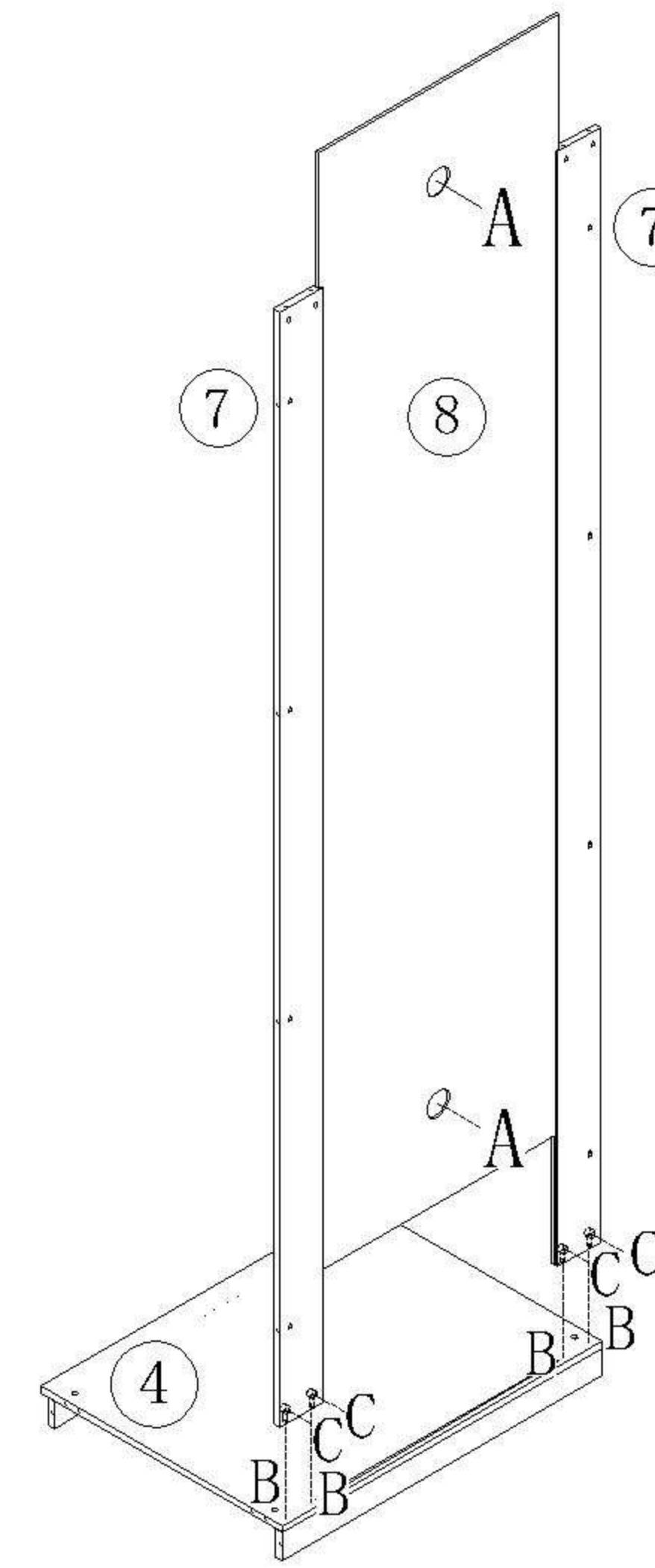
X2



X2

1

- (A)*4
- (B)*8
- (C)*8

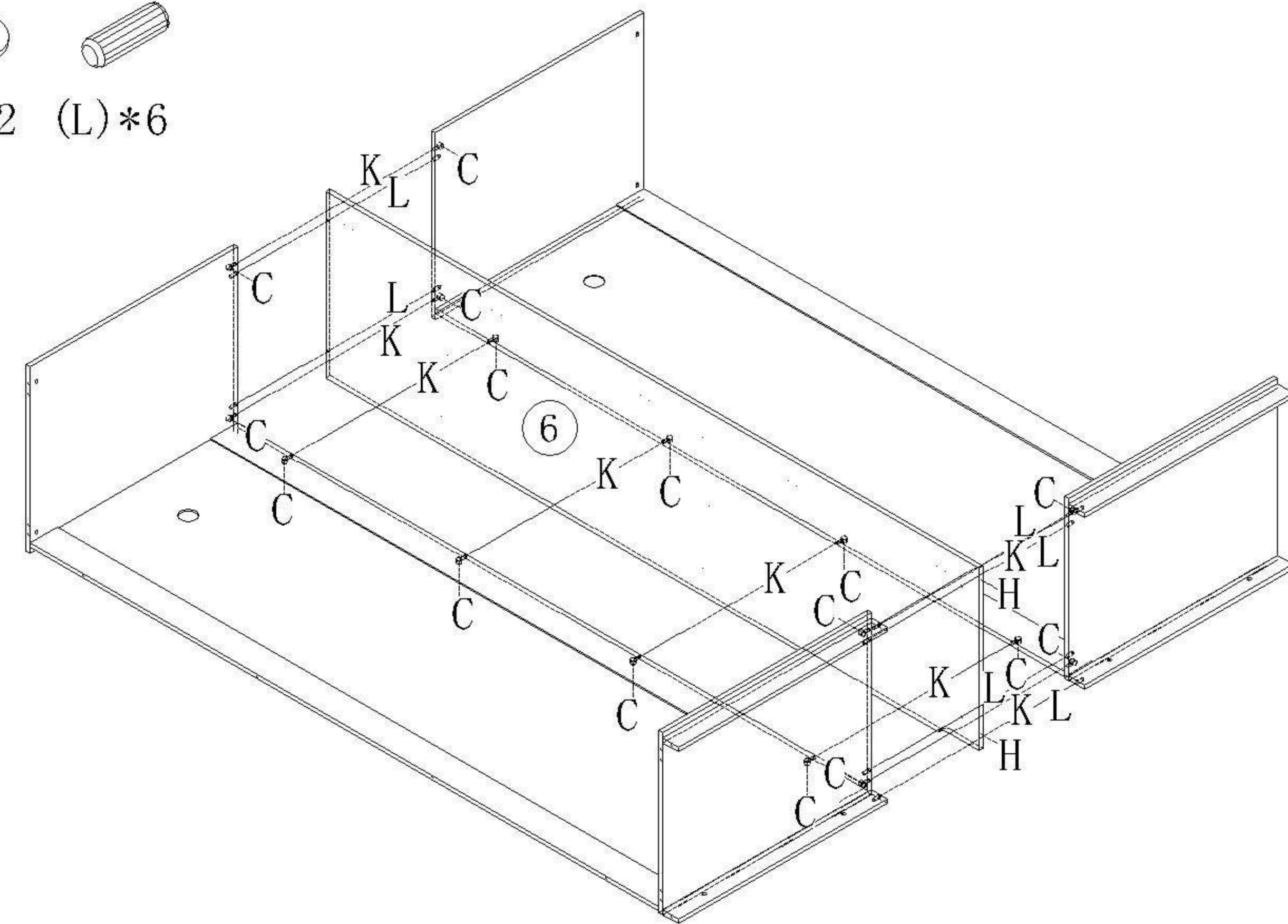


X2

2

3

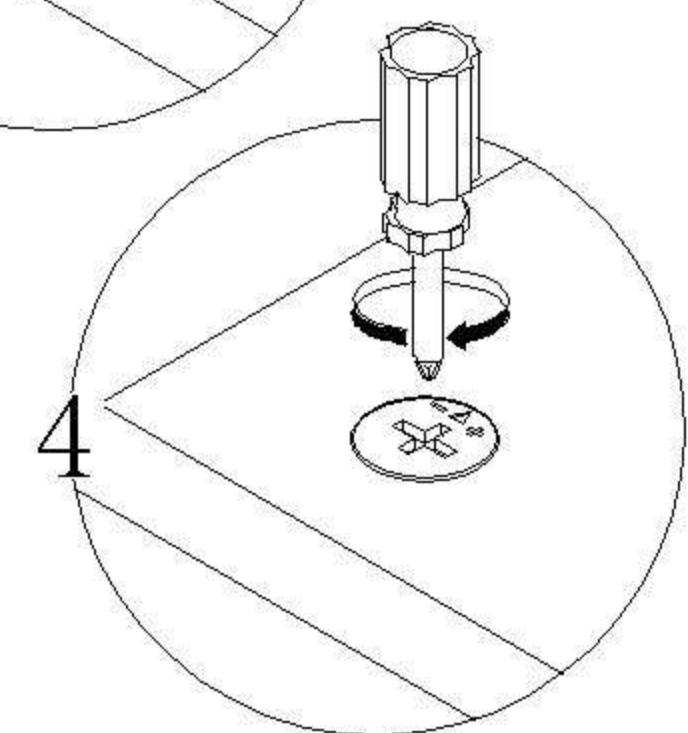
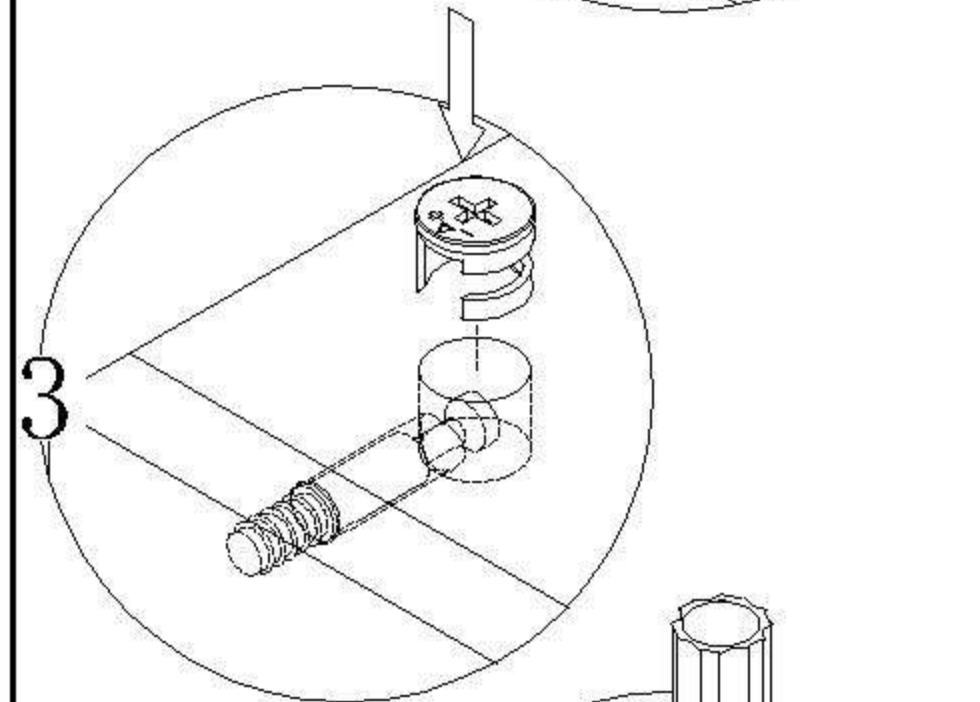
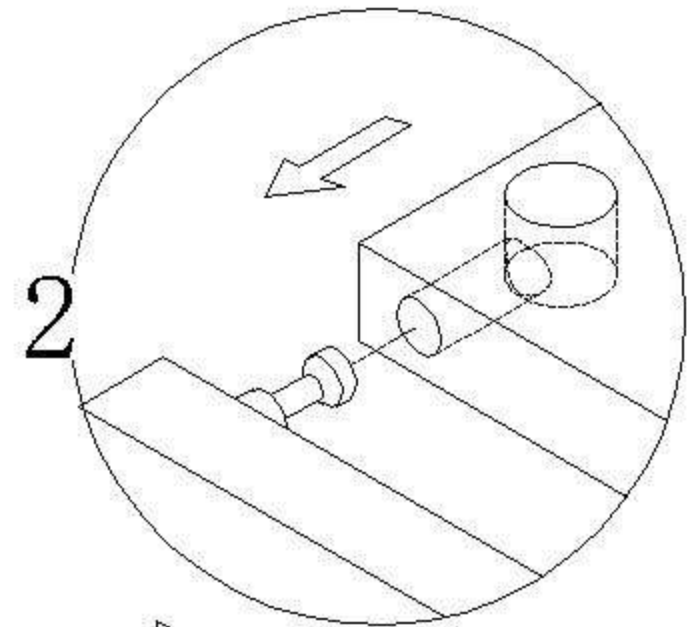
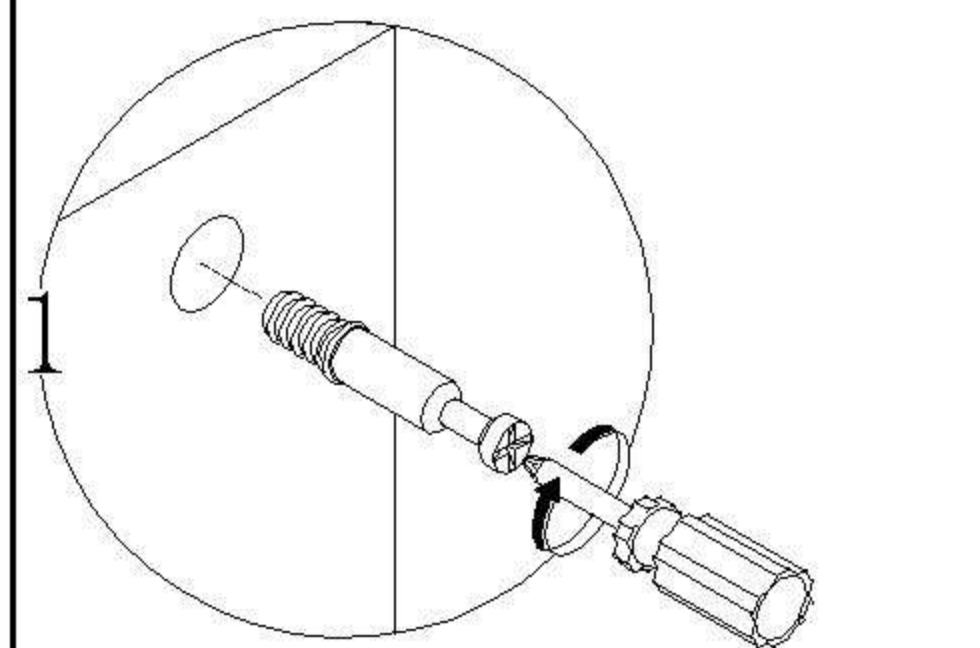
- (C)*16
- (K)*8
- (H)*2
- (L)*6



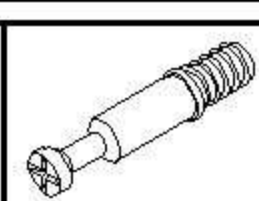
4

YZ1D-A 四门衣柜2.4m

安装方法/
Installation method



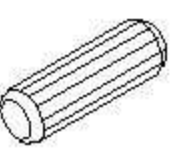
大二合一
two-in-one



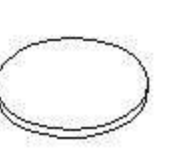
(B)*8



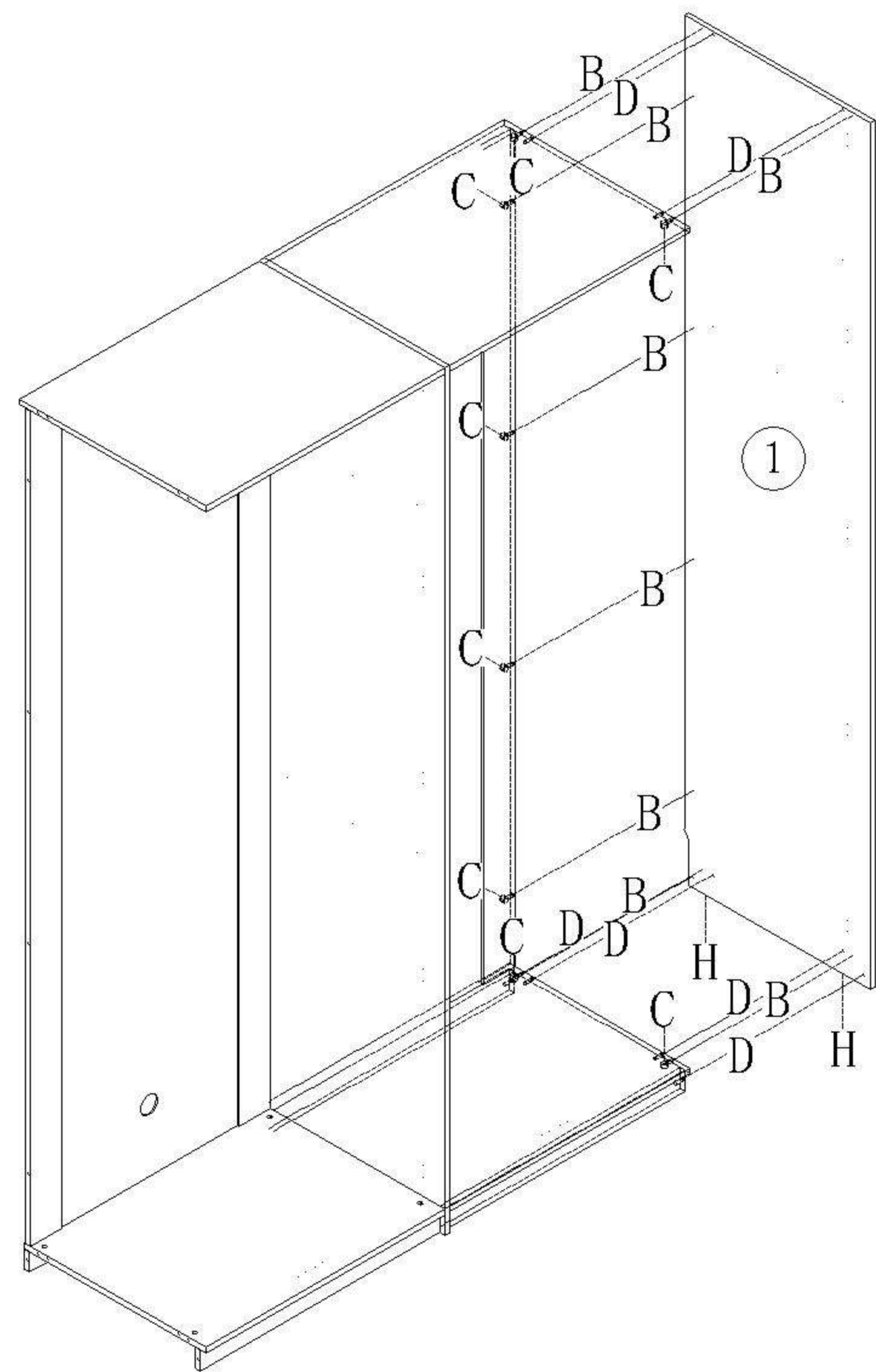
(C)*8



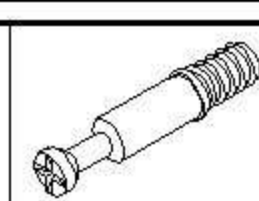
(D)*6



(H)*2



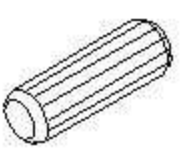
5



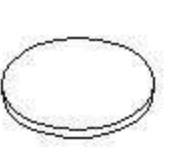
(B)*8



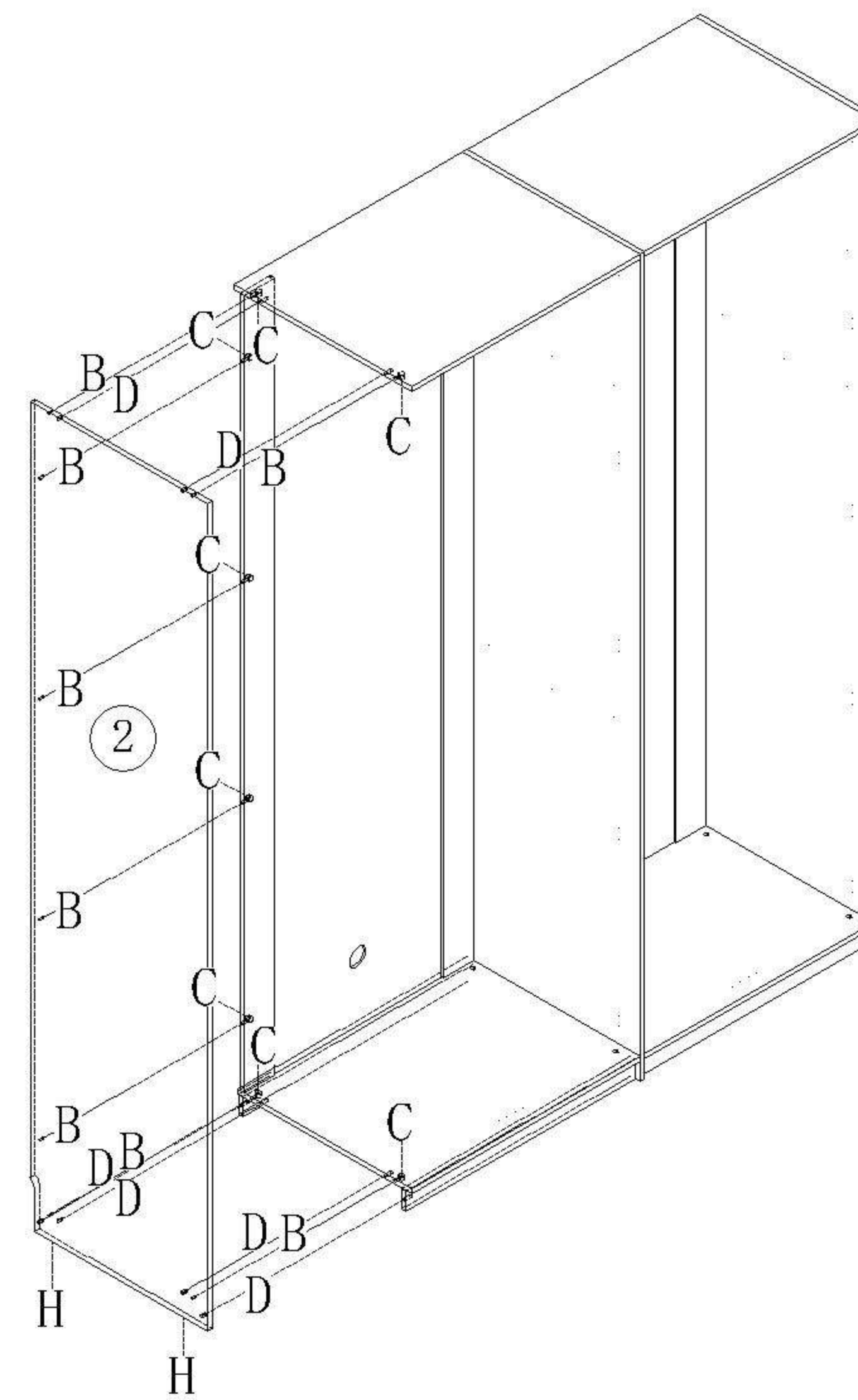
(C)*8



(D)*6

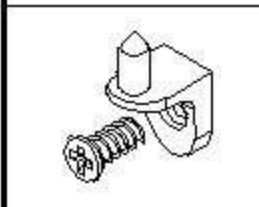


(H)*2

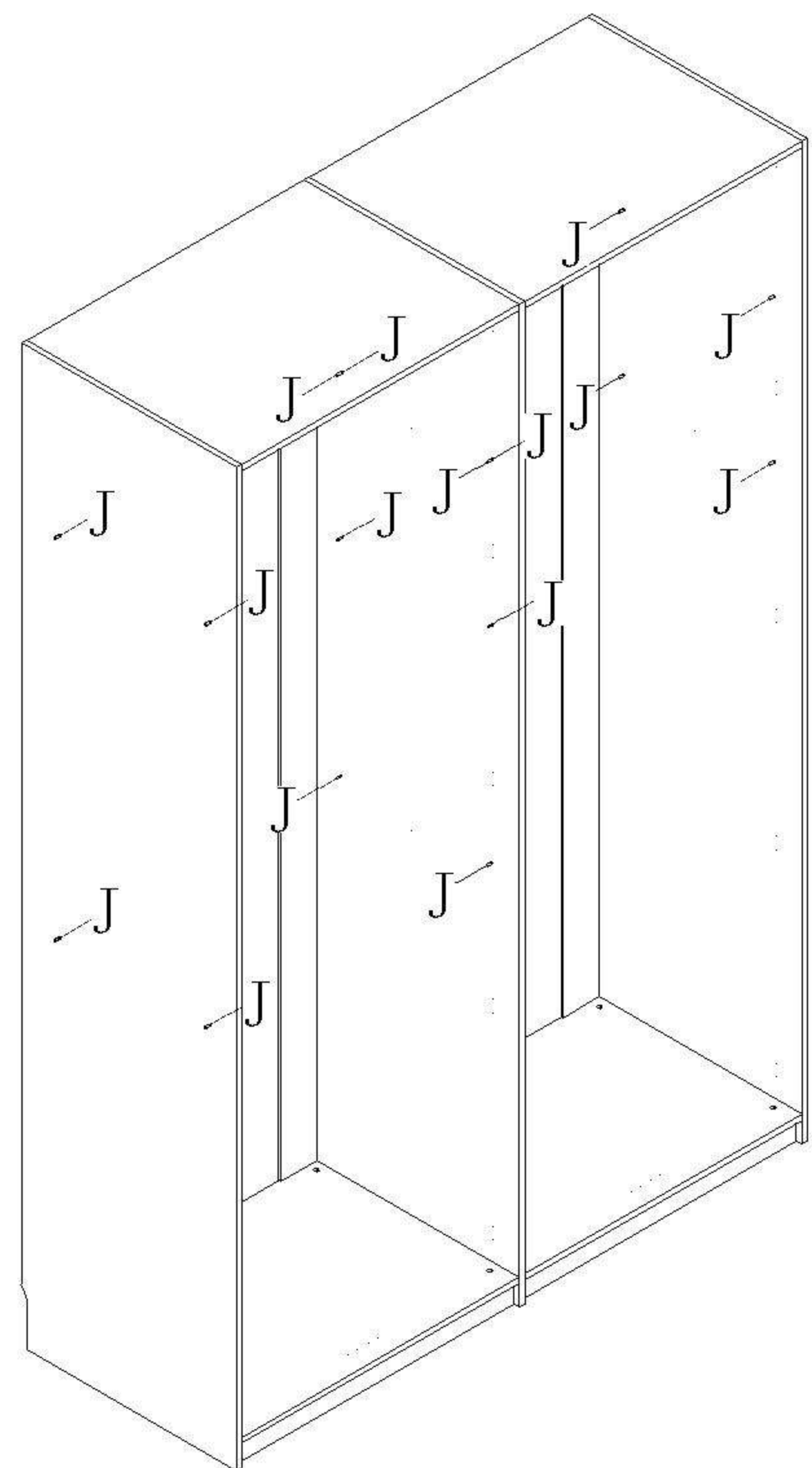


6

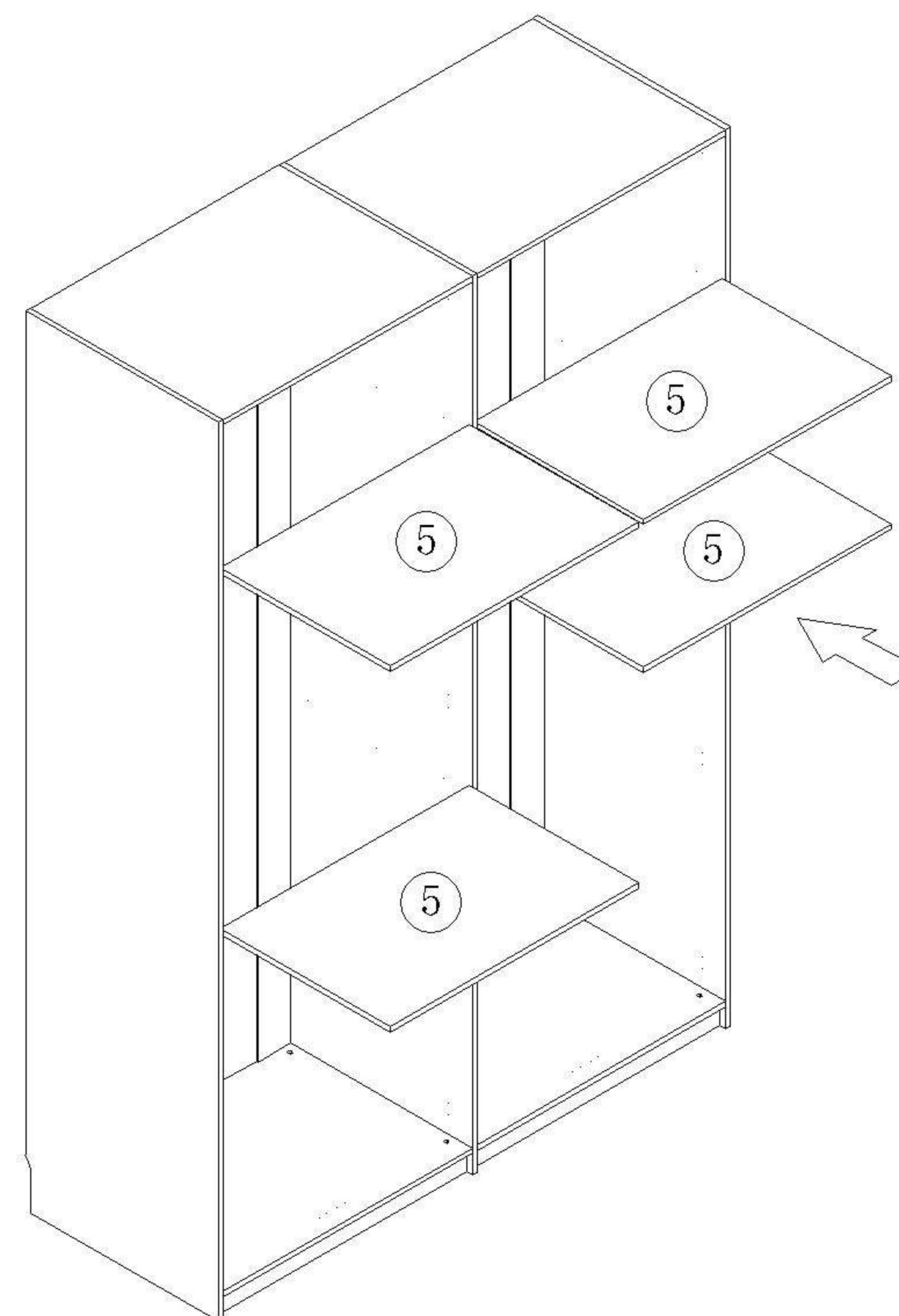
7



(J)*16

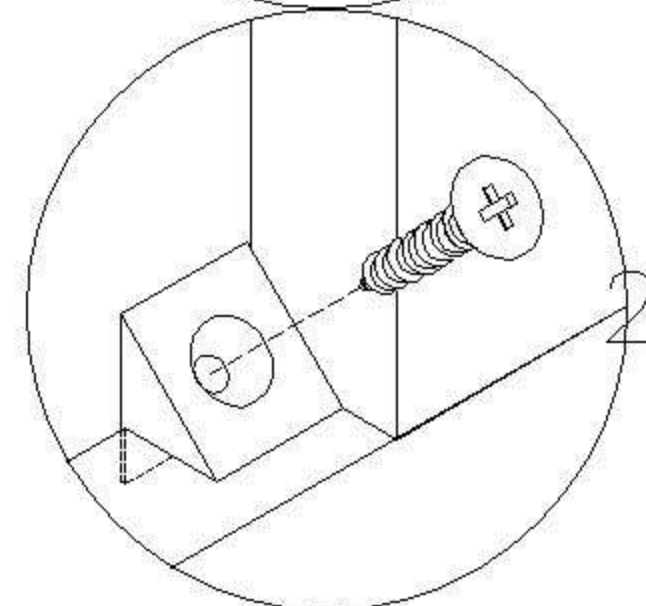
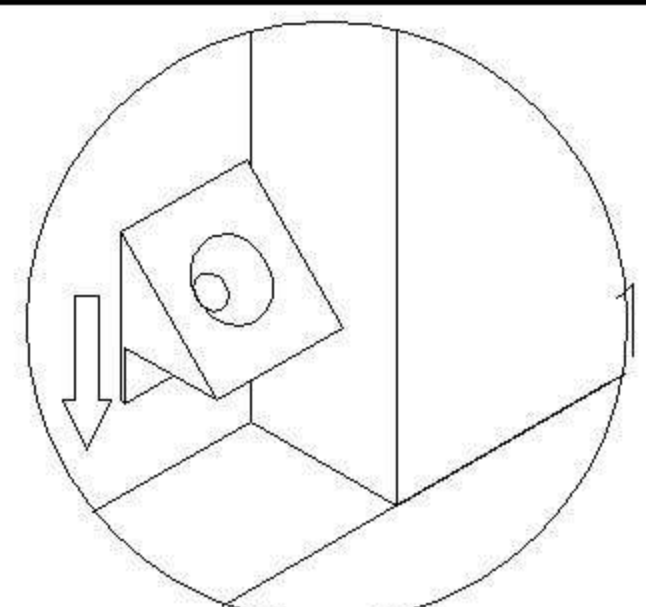


8

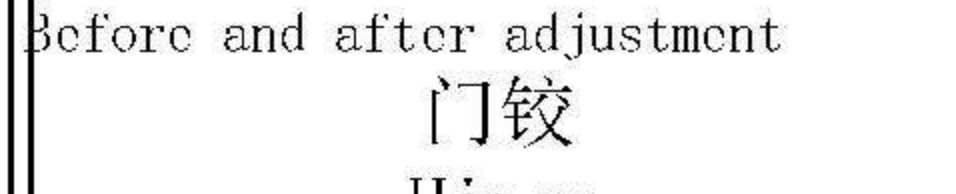
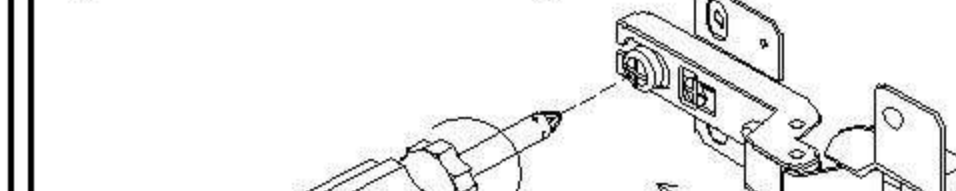
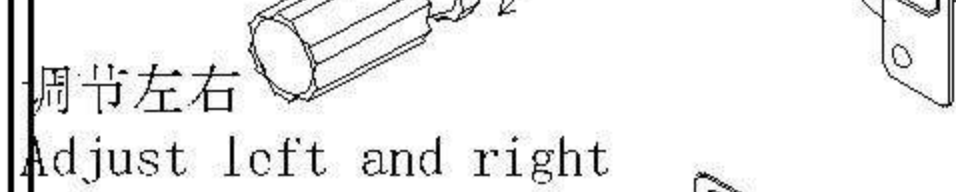
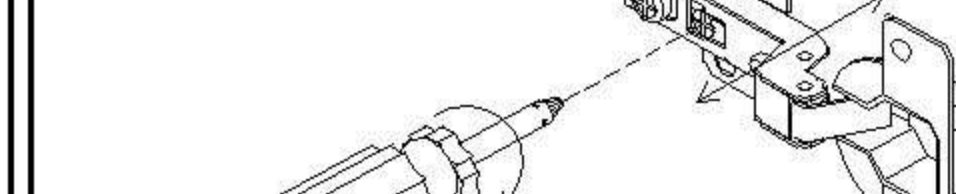
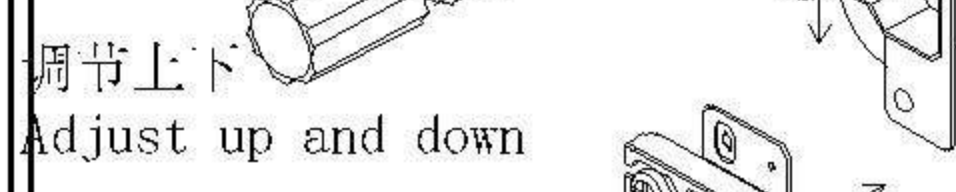
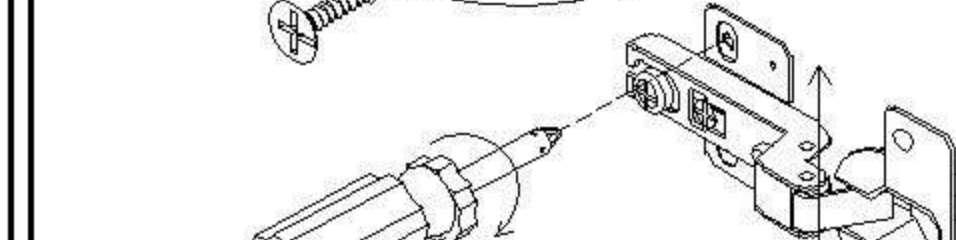
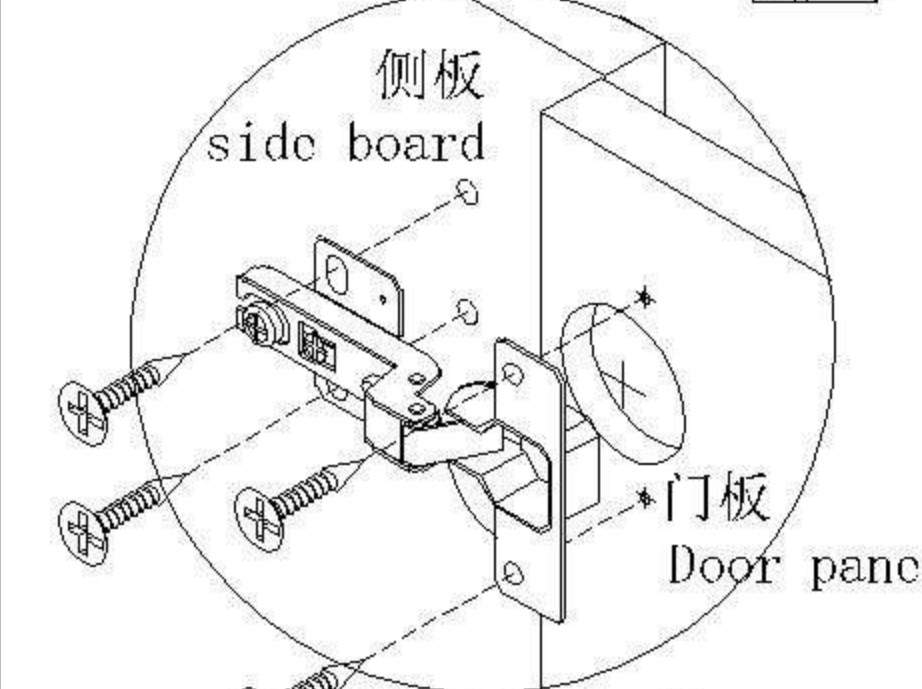
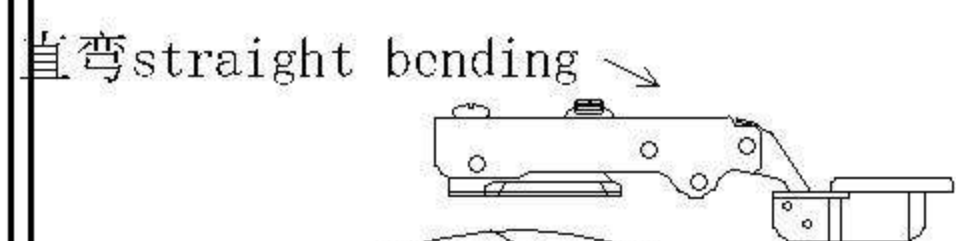


YZ1D-A 四门衣柜2.4m

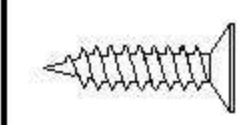
安装方法/
Installation method



背板扣
Back Plate Buckle-White



门铰
Hinge



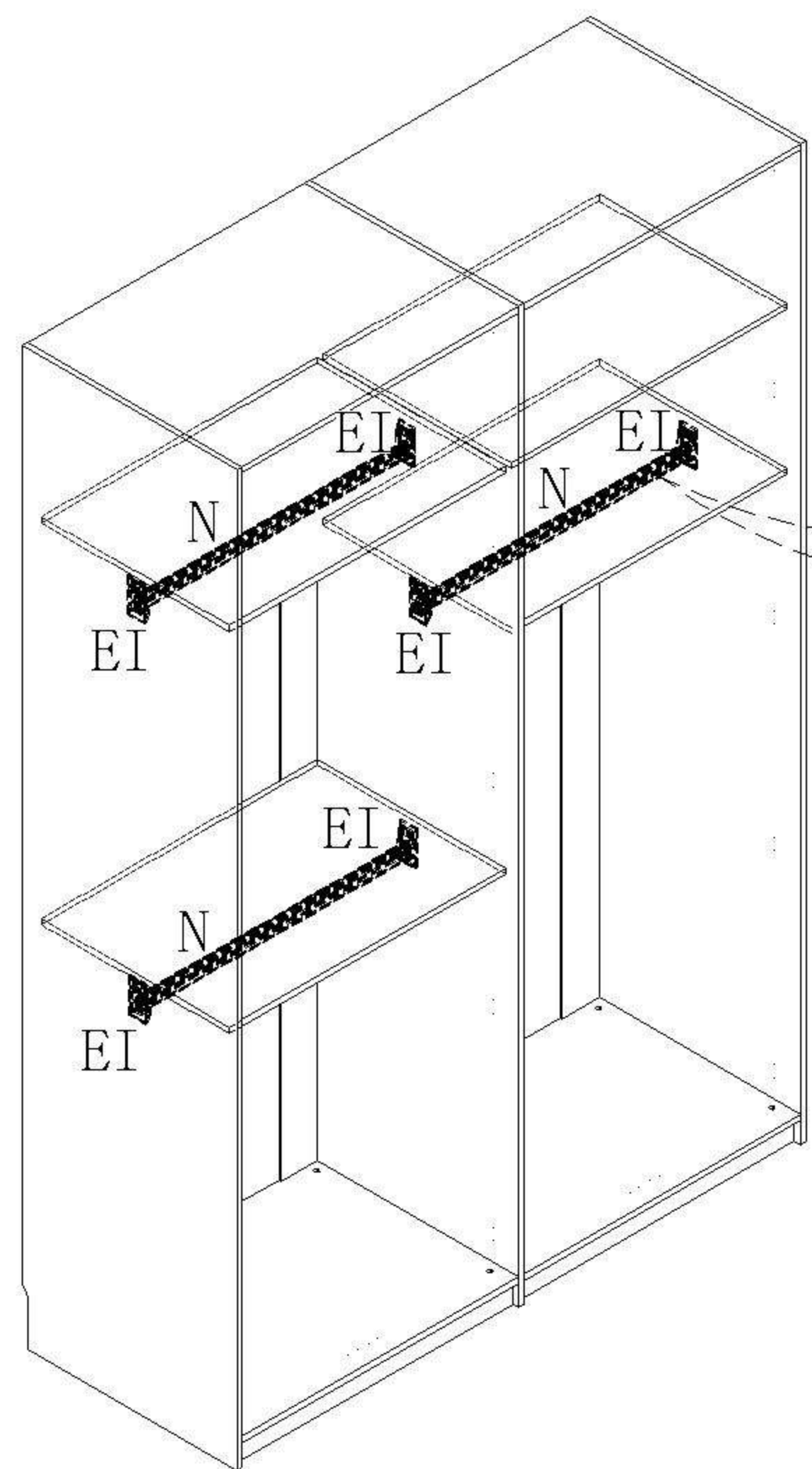
(E)*12



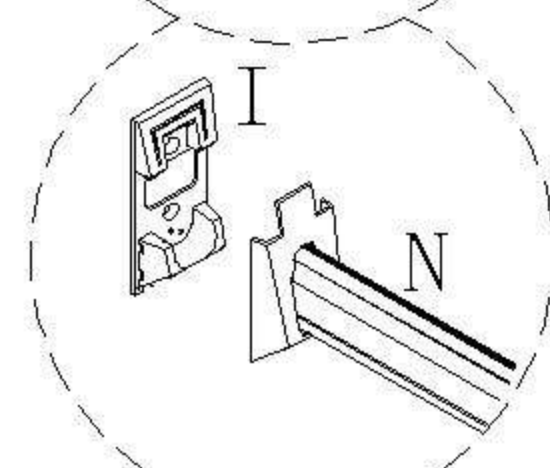
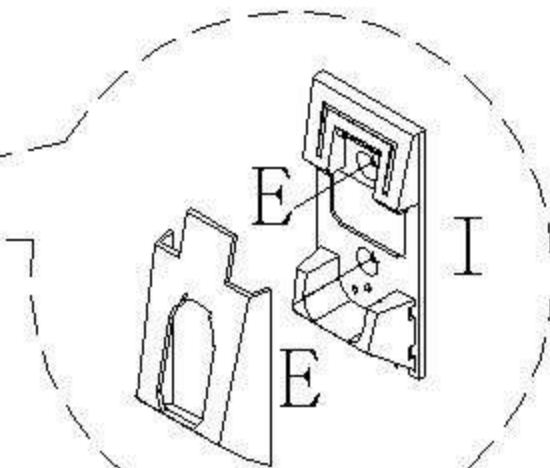
(I)*6



(N)*3

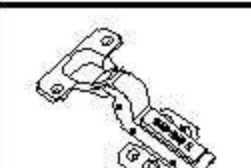


将五金I的盖子拆开再锁
Remove the cover of
hardware I and lock it



将五金 N 套进五金I的盖子
再盖在五金I的底座上
Put hardware N into the
cover of hardware I and
then cover the base of
hardware I

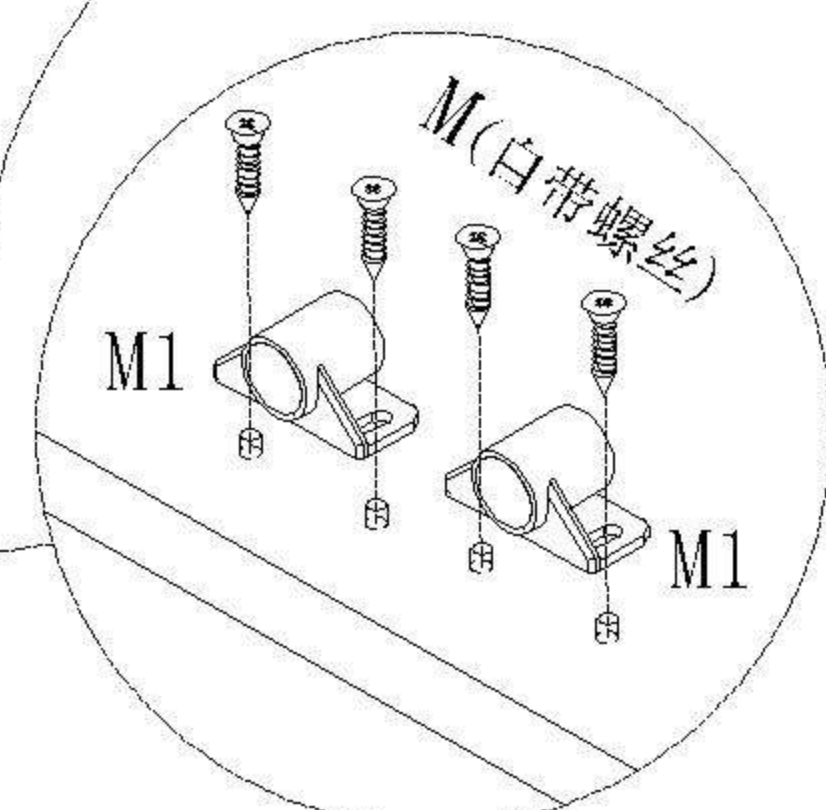
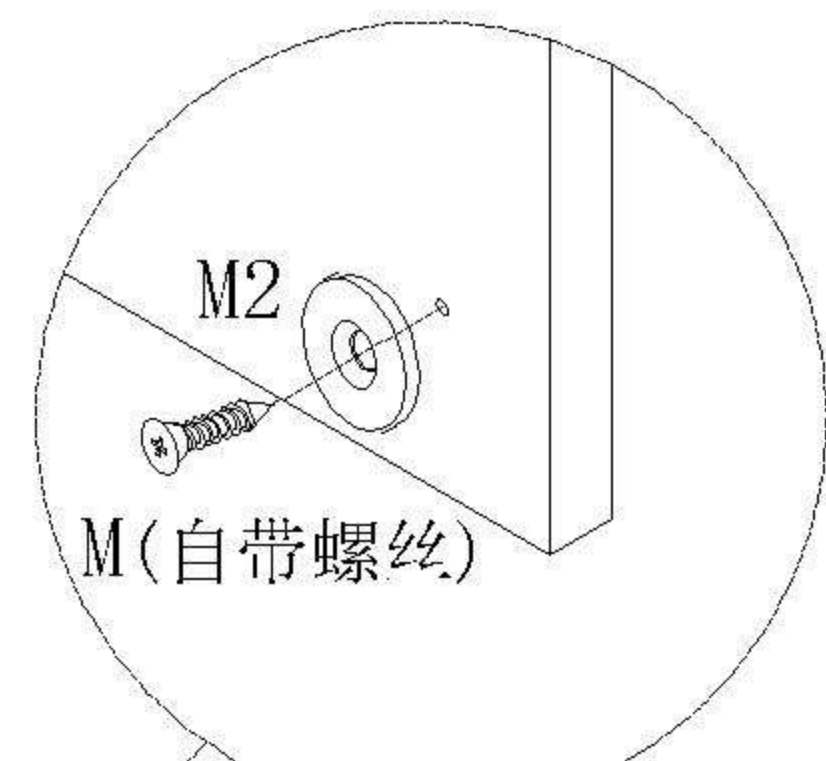
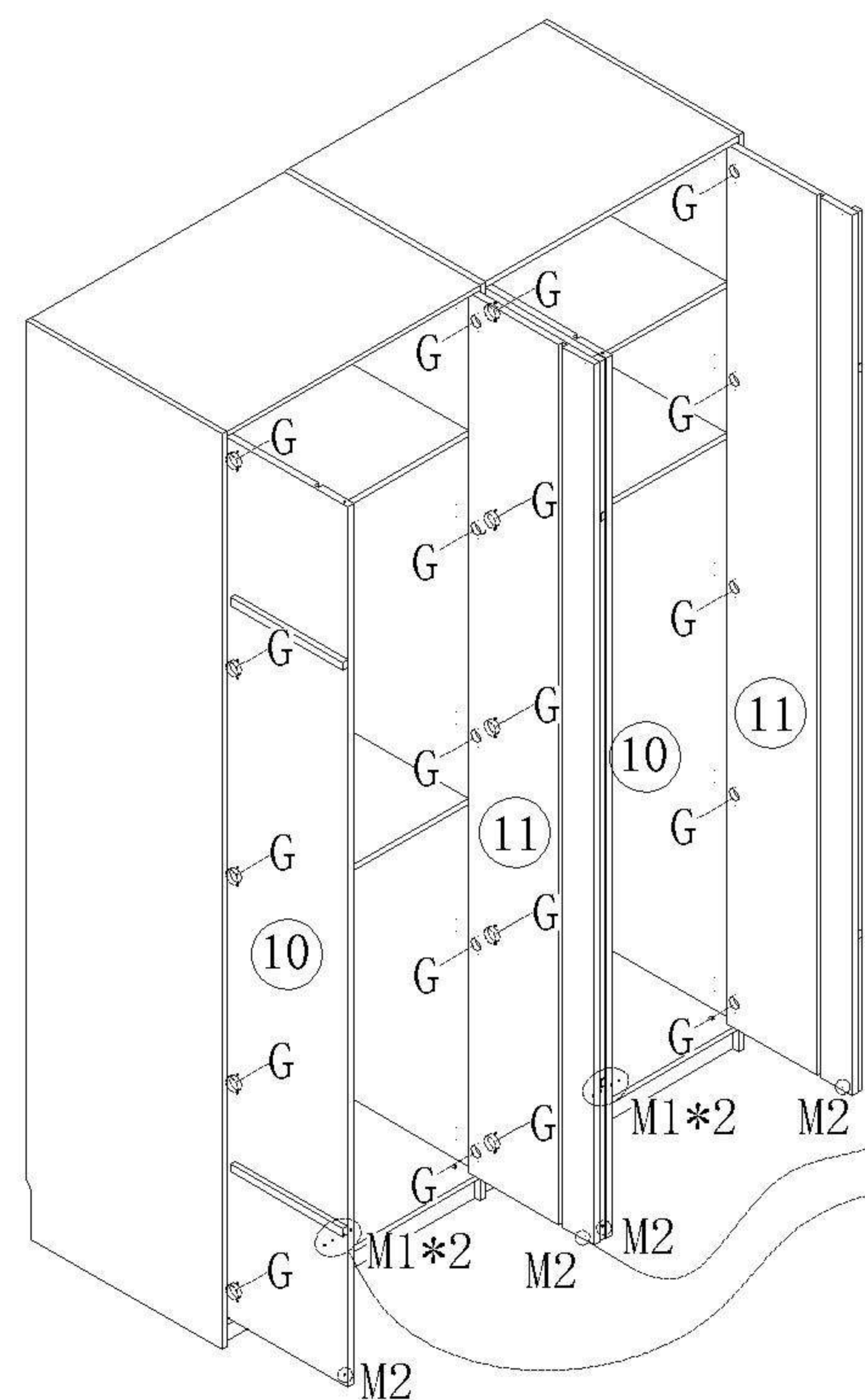
9



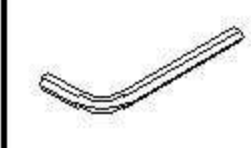
(G)*20



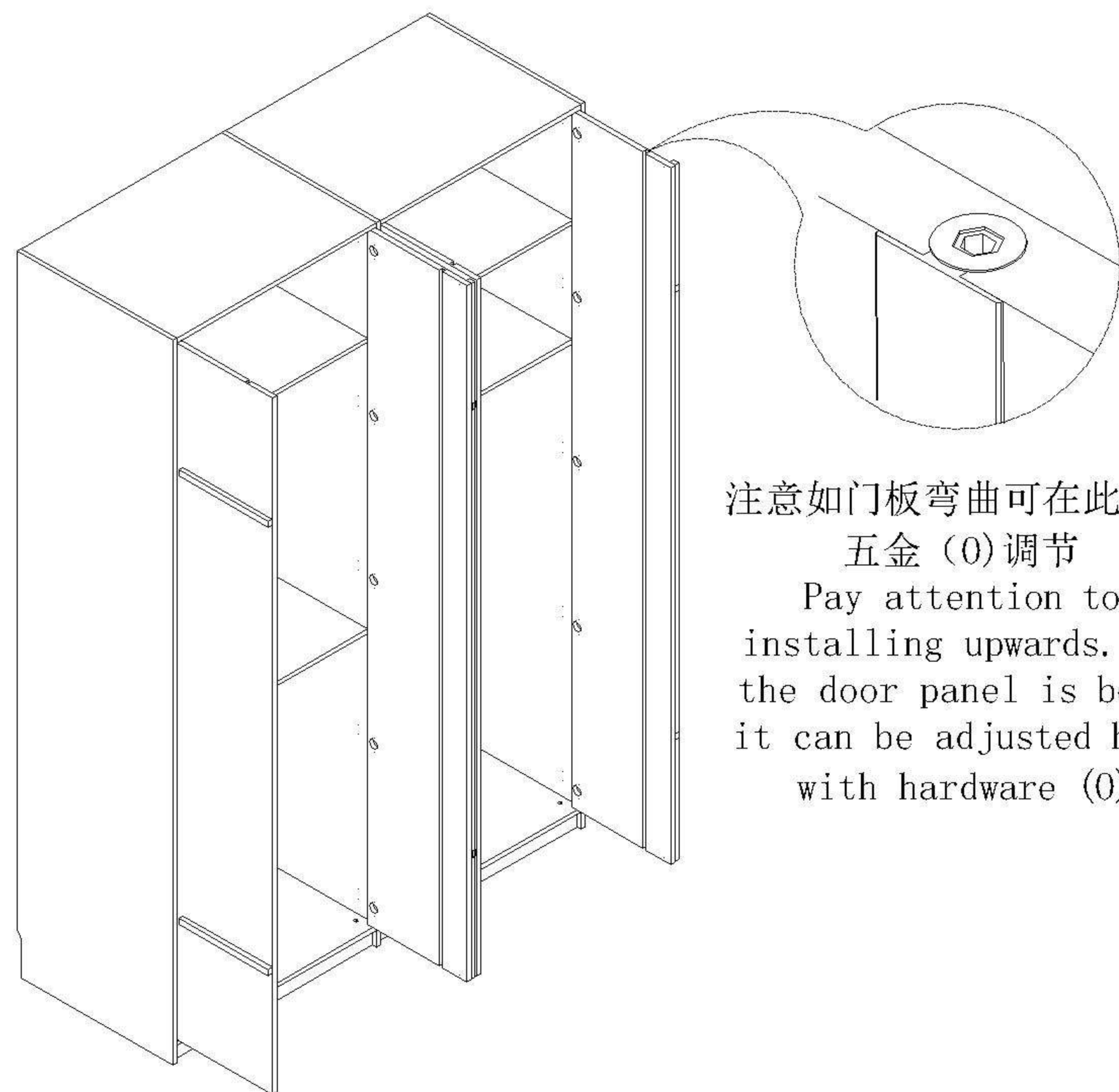
(M)*4



10

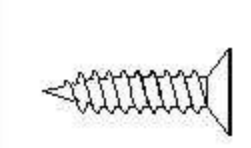


(O)*1

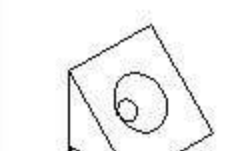


注意如门板弯曲可在此处用
五金 (O) 调节
Pay attention to
installing upwards. If
the door panel is bent,
it can be adjusted here
with hardware (O)

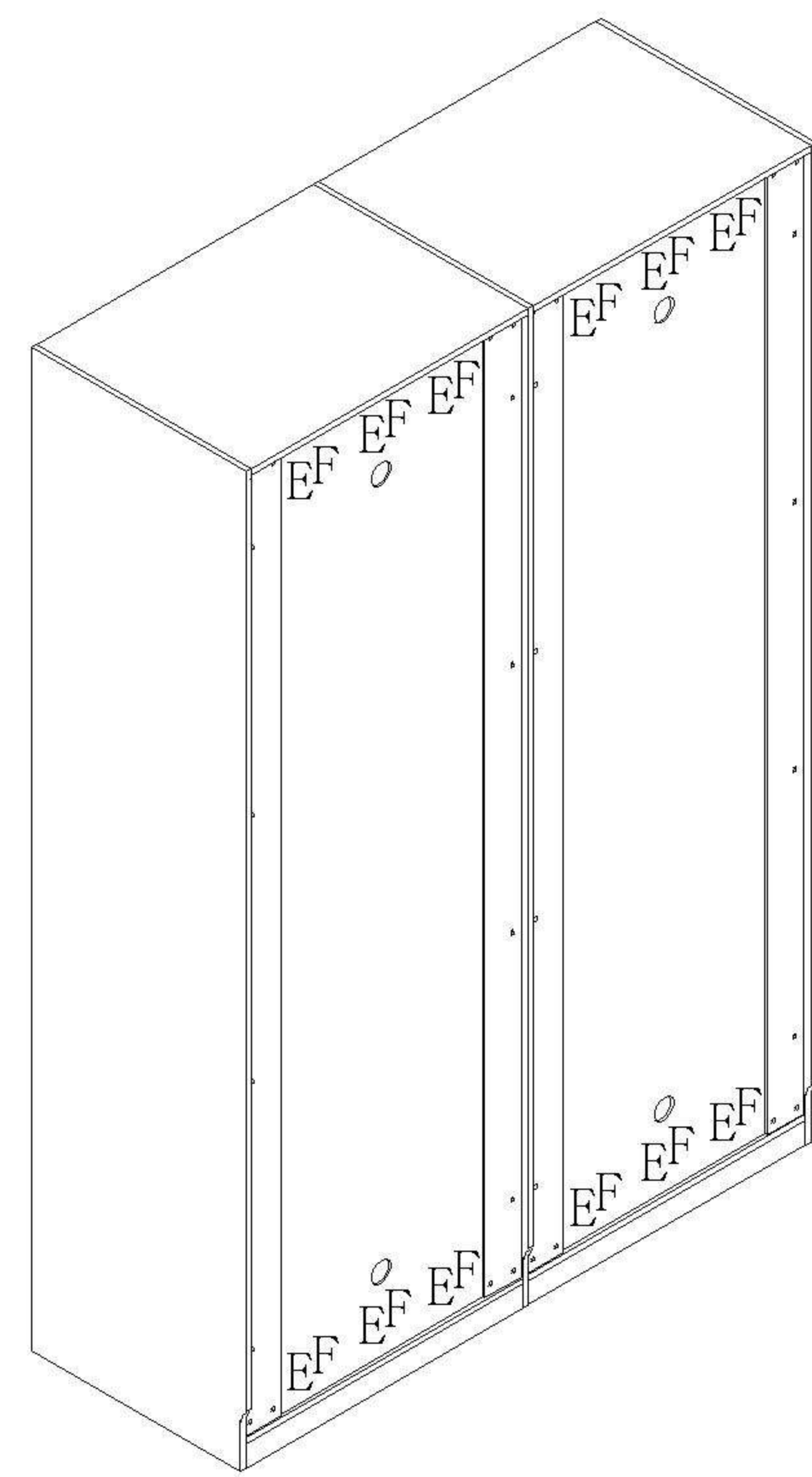
11



(E)*12



(F)*12



12